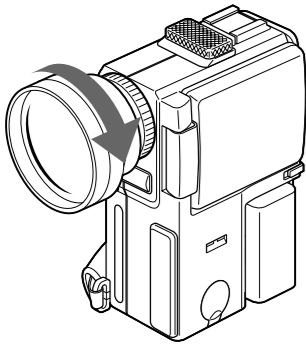
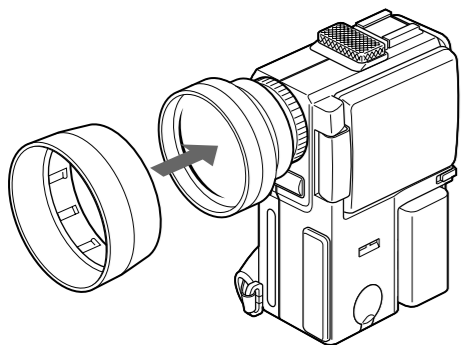




**1****2****Português**

Antes de utilizar a sua objectiva, leia atentamente este manual e guarde-o para futuras consultas.

**Notas acerca do uso**

- Evite submeter a videocâmara a manuseamentos bruscos ou choques mecânicos, especialmente quando a objectiva estiver acoplada.
- Na utilização da objectiva de teleconversão em uma posição de grande angular, os cantos do écran podem ficar escuros. Neste caso, altere a magnificação do zoom para uma melhor posição.
- A imagem pode aparecer, às vezes, fora de foco em algumas videocâmaras com função de focagem automática. Ajuste o foco manualmente em tais casos.
- Evite manter a objectiva em locais muito húmidos por um longo período, para evitar mofo.
- Retire a objectiva de teleconversão quando do transporte.

**Acoplagem da objectiva de teleconversão**

A objectiva de Sony VCL-2030 S teleconversão foi projectada para a utilização com a videocâmara Sony cujo filtro tenha 30 mm de diâmetro.

- 1** Remova as tampas da frente e de trás da objectiva de teleconversão.
- 2** Acople a objectiva de teleconversão firmemente na objectiva da videocâmara. (veja ilustração **1**)

Utilize a viseira antiofuscamento acessório fornecido quando reflexões da luz solar possam incidir durante filmagens em exteriores. (veja ilustração **2**)

**Limpeza da objectiva de teleconversão**

Remova a poeira na superfície da lente com uma escova sopradora ou uma escova macia. Remova impressões digitais ou outras manchas com um pano macio levemente humedecido em solução de detergente suave.

**Especificações**

Potência da objectiva	2,0
Estrutura da objectiva	3 grupos, 3 elementos
Rosca de parafuso para videocâmara	M30,0 × 0,75
Dimensões	Diâmetro máximo: ø 50 mm Comprimento: 30,6 mm
Peso (excluindo tampas)	Aprox. 85 g
Acessórios fornecidos	Tampas de objectiva (2) (para a frente e a traseira da objectiva) Estojo de transporte (1) Manual de instruções (1) Viseira antiofuscamento (1)

Design e especificações sujeitos a alterações sem aviso prévio.



Esta marca indica que este produto é um acessório genuíno para equipamento de vídeo Sony. A Sony recomenda-lhe que, quando adquirir equipamento de vídeo Sony, adquira também acessórios com o logótipo “GENUINE VIDEO ACCESSORIES”.

**Po**

XxxBefore using this lens, please read this manual thoroughly and retain it for future reference.

**Notes on use**

- Avoid rough handling or mechanical shock to the video camera recorder, especially when the lens is attached.
- When using the tele-conversion lens at a wide-angle position, the corners of the screen may darken. In this case, change the zooming magnification to a better position.
- The image may sometimes appear out of focus on some video camera recorders with auto focus function. Adjust the focus manually in such cases.
- Avoid keeping the lens in a very humid place for a long period of time to prevent mold.
- Take the tele-conversion lens off when transporting.

**Attaching the tele-conversion lens**

The Sony VCL-2030 S tele-conversion lens is designed for use with the Sony video camera recorder whose filter is 30 mm in diameter.

- 1** Remove the caps at the front and back of the tele-conversion lens.
- 2** Attach the tele-conversion lens firmly to the lens of the video camera recorder. (see illustration **1**)

Use the supplied accessory flare-prevention hood when sunlight reflections might occur while shooting outdoors. (see illustration **2**)

**Cleaning the tele-conversion lens**

Brush off dust on the surface of the lens with a blower brush or soft brush. Wipe off fingerprints or other smears with a soft cloth slightly moistened with a mild detergent solution.

**Specifications**

Lens power	2.0
Lens structure	3 groups, 3 elements
Screw thread for video camera recorder	M30.0 × 0.75
Dimensions	Maximum diameter: ø50 mm (2 in.) Length: 30.6 mm (1 1/4 in.)
Mass (excluding the caps)	Approx 85 g (3 oz.)
Supplied accessories	Lens cap (1) (for the front and back of the lens) Carrying case (1) Operating instructions (1) Flare-prevention hood (1)

Design and specifications are subject to change without notice.



This mark indicates that this product is a genuine accessory for Sony video products. When purchasing Sony video products, Sony recommends that you purchase accessories with this “GENUINE VIDEO ACCESSORIES” mark.

**Rv**

XxxBefore using this lens, please read this manual thoroughly and retain it for future reference.

**Notes on use**

- Avoid rough handling or mechanical shock to the video camera recorder, especially when the lens is attached.
- When using the tele-conversion lens at a wide-angle position, the corners of the screen may darken. In this case, change the zooming magnification to a better position.
- The image may sometimes appear out of focus on some video camera recorders with auto focus function. Adjust the focus manually in such cases.
- Avoid keeping the lens in a very humid place for a long period of time to prevent mold.
- Take the tele-conversion lens off when transporting.

**Attaching the tele-conversion lens**

The Sony VCL-2030 S tele-conversion lens is designed for use with the Sony video camera recorder whose filter is 30 mm in diameter.

- 1** Remove the caps at the front and back of the tele-conversion lens.
- 2** Attach the tele-conversion lens firmly to the lens of the video camera recorder. (see illustration **1**)

Use the supplied accessory flare-prevention hood when sunlight reflections might occur while shooting outdoors. (see illustration **2**)

**Cleaning the tele-conversion lens**

Brush off dust on the surface of the lens with a blower brush or soft brush. Wipe off fingerprints or other smears with a soft cloth slightly moistened with a mild detergent solution.

**Specifications**

Lens power	2.0
Lens structure	3 groups, 3 elements
Screw thread for video camera recorder	M30.0 × 0.75
Dimensions	Maximum diameter: ø50 mm (2 in.) Length: 30.6 mm (1 1/4 in.)
Mass (excluding the caps)	Approx 85 g (3 oz.)
Supplied accessories	Lens cap (1) (for the front and back of the lens) Carrying case (1) Operating instructions (1) Flare-prevention hood (1)

Design and specifications are subject to change without notice.



This mark indicates that this product is a genuine accessory for Sony video products. When purchasing Sony video products, Sony recommends that you purchase accessories with this “GENUINE VIDEO ACCESSORIES” mark.

**AAA**

XxxBefore using this lens, please read this manual thoroughly and retain it for future reference.

**Notes on use**

- Avoid rough handling or mechanical shock to the video camera recorder, especially when the lens is attached.
- When using the tele-conversion lens at a wide-angle position, the corners of the screen may darken. In this case, change the zooming magnification to a better position.
- The image may sometimes appear out of focus on some video camera recorders with auto focus function. Adjust the focus manually in such cases.
- Avoid keeping the lens in a very humid place for a long period of time to prevent mold.
- Take the tele-conversion lens off when transporting.

**Attaching the tele-conversion lens**

The Sony VCL-2030 S tele-conversion lens is designed for use with the Sony video camera recorder whose filter is 30 mm in diameter.

- 1** Remove the caps at the front and back of the tele-conversion lens.
- 2** Attach the tele-conversion lens firmly to the lens of the video camera recorder. (see illustration **1**)

Use the supplied accessory flare-prevention hood when sunlight reflections might occur while shooting outdoors. (see illustration **2**)

**Cleaning the tele-conversion lens**

Brush off dust on the surface of the lens with a blower brush or soft brush. Wipe off fingerprints or other smears with a soft cloth slightly moistened with a mild detergent solution.

**Specifications**

Lens power	2.0
Lens structure	3 groups, 3 elements
Screw thread for video camera recorder	M30.0 × 0.75
Dimensions	Maximum diameter: ø50 mm (2 in.) Length: 30.6 mm (1 1/4 in.)
Mass (excluding the caps)	Approx 85 g (3 oz.)
Supplied accessories	Lens cap (1) (for the front and back of the lens) Carrying case (1) Operating instructions (1) Flare-prevention hood (1)

Design and specifications are subject to change without notice.



This mark indicates that this product is a genuine accessory for Sony video products. When purchasing Sony video products, Sony recommends that you purchase accessories with this “GENUINE VIDEO ACCESSORIES” mark.

**CCC**

XxxBefore using this lens, please read this manual thoroughly and retain it for future reference.

**Notes on use**

- Avoid rough handling or mechanical shock to the video camera recorder, especially when the lens is attached.
- When using the tele-conversion lens at a wide-angle position, the corners of the screen may darken. In this case, change the zooming magnification to a better position.
- The image may sometimes appear out of focus on some video camera recorders with auto focus function. Adjust the focus manually in such cases.
- Avoid keeping the lens in a very humid place for a long period of time to prevent mold.
- Take the tele-conversion lens off when transporting.

**Attaching the tele-conversion lens**

The Sony VCL-2030 S tele-conversion lens is designed for use with the Sony video camera recorder whose filter is 30 mm in diameter.

- 1** Remove the caps at the front and back of the tele-conversion lens.
- 2** Attach the tele-conversion lens firmly to the lens of the video camera recorder. (see illustration **1**)

Use the supplied accessory flare-prevention hood when sunlight reflections might occur while shooting outdoors. (see illustration **2**)

**Cleaning the tele-conversion lens**

Brush off dust on the surface of the lens with a blower brush or soft brush. Wipe off fingerprints or other smears with a soft cloth slightly moistened with a mild detergent solution.

**Specifications**

Lens power	2.0
Lens structure	3 groups, 3 elements
Screw thread for video camera recorder	M30.0 × 0.75
Dimensions	Maximum diameter: ø50 mm (2 in.) Length: 30.6 mm (1 1/4 in.)
Mass (excluding the caps)	Approx 85 g (3 oz.)
Supplied accessories	Lens cap (1) (for the front and back of the lens) Carrying case (1) Operating instructions (1) Flare-prevention hood (1)

Design and specifications are subject to change without notice.



This mark indicates that this product is a genuine accessory for Sony video products. When purchasing Sony video products, Sony recommends that you purchase accessories with this “GENUINE VIDEO ACCESSORIES” mark.

**KKK**

XxxBefore using this lens, please read this manual thoroughly and retain it for future reference.

**Notes on use**

- Avoid rough handling or mechanical shock to the video camera recorder, especially when the lens is attached.
- When using the tele-conversion lens at a wide-angle position, the corners of the screen may darken. In this case, change the zooming magnification to a better position.
- The image may sometimes appear out of focus on some video camera recorders with auto focus function. Adjust the focus manually in such cases.
- Avoid keeping the lens in a very humid place for a long period of time to prevent mold.
- Take the tele-conversion lens off when transporting.

**Attaching the tele-conversion lens**

The Sony VCL-2030 S tele-conversion lens is designed for use with the Sony video camera recorder whose filter is 30 mm in diameter.

- 1** Remove the caps at the front and back of the tele-conversion lens.
- 2** Attach the tele-conversion lens firmly to the lens of the video camera recorder. (see illustration **1**)

Use the supplied accessory flare-prevention hood when sunlight reflections might occur while shooting outdoors. (see illustration **2**)

**Cleaning the tele-conversion lens**

Brush off dust on the surface of the lens with a blower brush or soft brush. Wipe off fingerprints or other smears with a soft cloth slightly moistened with a mild detergent solution.

**Specifications**

Lens power	2.0
Lens structure	3 groups, 3 elements
Screw thread for video camera recorder	M30.0 × 0.75
Dimensions	Maximum diameter: ø50 mm (2 in.) Length: 30.6 mm (1 1/4 in.)
Mass (excluding the caps)	Approx 85 g (3 oz.)
Supplied accessories	Lens cap (1) (for the front and back of the lens) Carrying case (1) Operating instructions (1) Flare-prevention hood (1)

Design and specifications are subject to change without notice.



This mark indicates that this product is a genuine accessory for Sony video products. When purchasing Sony video products, Sony recommends that you purchase accessories with this “GENUINE VIDEO ACCESSORIES” mark.

## Free Manuals Download Website

<http://myh66.com>

<http://usermanuals.us>

<http://www.somanuals.com>

<http://www.4manuals.cc>

<http://www.manual-lib.com>

<http://www.404manual.com>

<http://www.luxmanual.com>

<http://aubethermostatmanual.com>

Golf course search by state

<http://golfingnear.com>

Email search by domain

<http://emailbydomain.com>

Auto manuals search

<http://auto.somanuals.com>

TV manuals search

<http://tv.somanuals.com>