

# SONY®

DIGITAL VIDEOCASSETTE RECORDER

# DVW-M2000

# DVW-M2000P

# DVW-2000

# DVW-2000P

**Note**

The supplied CD-ROM includes operation manuals for the DVW-2000 series of digital videocassette recorders (English, Japanese, French and German versions). For more details, see page 1-5 "Using the CD-ROM Manual."

**Digital BETACAM™**



**Tele-File**



MEMORY STICK

OPERATION MANUAL

English

1st Edition (Revised 2)

## **WARNING**

**To prevent fire or shock hazard, do not expose the unit to rain or moisture.**

**To avoid electrical shock, do not open the cabinet. Refer servicing to qualified personnel only.**

**THIS APPARATUS MUST BE EARTHED.**

## **AVERTISSEMENT**

**Afin d'éviter tout risque d'incendie ou d'électrocution, ne pas exposer cet appareil à la pluie ou à l'humidité.**

**Afin d'écartier tout risque d'électrocution, garder le coffret fermé. Ne confier l'entretien de l'appareil qu'à un personnel qualifié.**

**CET APPAREIL DOIT ÊTRE RELIÉ À LA TERRE.**

## **VORSICHT**

**Um Feuergefahr und die Gefahr eines elektrischen Schlages zu vermeiden, darf das Gerät weder Regen noch Feuchtigkeit ausgesetzt werden.**

**Um einen elektrischen Schlag zu vermeiden, darf das Gehäuse nicht geöffnet werden. Überlassen Sie Wartungsarbeiten stets nur einem Fachmann.**

**DIESES GERÄT MUSS GEERDET WERDEN.**

### **For the customers in the USA**

This equipment has been tested and found to comply with the limits for a Class A digital device, pursuant to Part 15 of the FCC Rules. These limits are designed to provide reasonable protection against harmful interference when the equipment is operated in a commercial environment. This equipment generates, uses, and can radiate radio frequency energy and, if not installed and used in accordance with the instruction manual, may cause harmful interference to radio communications. Operation of this equipment in a residential area is likely to cause harmful interference in which case the user will be required to correct the interference at his own expense.

You are cautioned that any changes or modifications not expressly approved in this manual could void your authority to operate this equipment.

The shielded interface cable recommended in this manual must be used with this equipment in order to comply with the limits for a digital device pursuant to Subpart B of Part 15 of FCC Rules.



This symbol is intended to alert the user to the presence of important operating and maintenance (servicing) instructions in the literature accompanying the appliance.

### **WARNING: THIS WARNING IS APPLICABLE FOR USA ONLY.**

If used in USA, use the UL LISTED power cord specified below.

**DO NOT USE ANY OTHER POWER CORD.**

Plug Cap Parallel blade with ground pin (NEMA 5-15P Configuration)

Cord Type SJT, three 16 or 18 AWG wires

Length Minimum 1.5 m Less than 2.5 m (8 ft 3 in)

Rating Minimum 10 A, 125 V

Using this unit at a voltage other than 120V may require the use of a different line cord or attachment plug, or both. To reduce the risk of fire or electric shock, refer servicing to qualified service personnel.

### **WARNING: THIS WARNING IS APPLICABLE FOR OTHER COUNTRIES.**

1. Use the approved Power Cord (3-core mains lead)/Appliance Connector/Plug with earthing-contacts that conforms to the safety regulations of each country if applicable.
2. Use the Power Cord (3-core mains lead)/Appliance Connector/Plug conforming to the proper ratings (Voltage, Ampere).

If you have questions on the use of the above Power Cord/ Appliance Connector/Plug, please consult a qualified service personnel.

**AVERTISSEMENT: CET AVERTISSEMENT EST VALABLE POUR LES AUTRES PAYS.**

1. Utiliser un cordon d'alimentation approuvé (conducteur d'alimentation 3 âmes)/connecteur d'appareil/prise avec contacts de mise à la terre conforme aux règles de sécurité de chaque pays si applicable.
2. Utiliser un cordon d'alimentation approuvé (conducteur d'alimentation 3 âmes)/connecteur d'appareil/prise conforme aux valeurs nominales (tension, ampérage) correctes.

S'adresser à un personnel de service qualifié pour toute question concernant l'emploi du cordon d'alimentation/ connecteur d'appareil/prise ci-dessus.

**WARNING: DIESE WARNUNG GILT FÜR ANDERE LÄNDER.**

1. Verwenden Sie Netzkabel (dreiadrig), Geräteanschlüsse und Netzkabelstecker mit Masseleitung, die den Sicherheitsrichtlinien des jeweiligen Landes entspricht.
2. Verwenden Sie Netzkabel (dreiadrig), Geräteanschlüsse und Netzkabelstecker mit Masseleitung, die den vor Ort herrschenden Spannungsanforderungen (Spannung, Stromstärke) entsprechen.

Bei Frage über die Eignung und Sicherheit von Netzkabeln (dreiadrig), Geräteanschlüssen und Netzkabelsteckern wenden Sie sich bitte an einen qualifizierten Electrotechniker.

**CAUTION**

The apparatus shall not be exposed to dripping or splashing and no objects filled with liquid, such as vases, shall be placed on the apparatus.

**ATTENTION**

Eviter d'exposer l'appareil à un égouttement ou à des éclaboussures et ne placer aucun objet rempli de liquide, comme un vase, sur l'appareil.

**ACHTUNG**

Das Gerät ist nicht tropf- und spritzwassersicher, daher dürfen keine mit Flüssigkeiten gefüllten Gegenstände, z. B. Vasen, darauf abgestellt werden.

**CAUTION**

The unit is not disconnected from the AC power source (mains) as long as it is connected to the wall outlet, even if the unit itself has been turned off.

**ATTENTION**

Cet appareil n'est pas déconnecté de la source d'alimentation secteur tant qu'il est raccordé à la prise murale, même si l'appareil lui-même a été mis hors tension.

**ACHTUNG**

Solange das Netzkabel an eine Netzsteckdose angeschlossen ist, bleibt das Gerät auch im ausgeschalteten Zustand mit dem Stromnetz verbunden.

**For the customers in Europe**

This product with the CE marking complies with both the EMC Directive (89/336/EEC) and the Low Voltage Directive (73/23/EEC) issued by the Commission of the European Community.

Compliance with these directives implies conformity to the following European standards:

- EN60065: Product Safety
- EN55103-1: Electromagnetic Interference (Emission)
- EN55103-2: Electromagnetic Susceptibility (Immunity)

This product is intended for use in the following Electromagnetic Environment (s):

E1 (Residential), E2 (Commercial and light industrial), E3 (Urban outdoors) and E4 (Controlled EMC environment ex. TV studio).

**Pour les clients européens**

Ce produit portant la marque CE est conforme à la fois à la Directive sur la compatibilité électromagnétique (EMC) (89/336/CEE) et à la Directive sur les basses tensions (73/23/CEE) émises par la Commission de la Communauté européenne.

La conformité à ces directives implique la conformité aux normes européennes suivantes:

- EN60065: Sécurité des produits
- EN55103-1: Interférences électromagnétiques (émission)
- EN55103-2: Sensibilité électromagnétique (immunité)

Ce produit est prévu pour être utilisé dans les environnements électromagnétiques suivants:

E1 (résidentiel), E2 (commercial et industrie légère), E3 (urbain extérieur) et E4 (environnement EMC contrôlé, ex. studio de télévision).

**Für Kunden in Europa**

Dieses Produkt besitzt die CE-Kennzeichnung und erfüllt die EMV-Direktive (89/336/EMG) der EG-Kommission als auch die Direktive Niederspannung (73/23/EMG).

Angewandte Normen:

- EN60065: Produktsicherheit
- EN55103-1: Elektromagnetische Verträglichkeit (Störaussendung)
- EN55103-2: Elektromagnetische Verträglichkeit (Störfestigkeit)

für die folgenden elektromagnetischen Umgebungen:

E1 (Wohnbereich), E2 (kommerzieller und in beschränktem Maße industrieller Bereich), E3 (Stadtgebiet im Freien) und E4 (kontrollierter EMV-Bereich, z.B. Fernsehstudio).

# Table of Contents

## Chapter 1 Overview

|   |            |
|---|------------|
| <b>1-1 Features .....</b>                     | <b>1-1</b> |
| <b>1-2 Example System Configuration .....</b> | <b>1-4</b> |
| <b>1-3 Using the CD-ROM Manual .....</b>      | <b>1-5</b> |
| 1-3-1 CD-ROM System Requirements .....        | 1-5        |
| 1-3-2 Preparations .....                      | 1-5        |
| 1-3-3 Reading the CD-ROM Manual .....         | 1-5        |

## Chapter 2 Location and Function of Parts

|                                  |             |
|----------------------------------|-------------|
| <b>2-1 Control Panels .....</b>  | <b>2-1</b>  |
| 2-1-1 Upper Control Panel .....  | 2-2         |
| 2-1-2 Lower Control Panel .....  | 2-3         |
| 2-1-3 Switch Panel .....         | 2-14        |
| <b>2-2 Connector Panel .....</b> | <b>2-15</b> |

## Chapter 3 Preparations

|   |             |
|---|-------------|
| <b>3-1 Connections to External Devices .....</b>                                      | <b>3-1</b>  |
| 3-1-1 Connections to Digital Devices .....  | 3-1         |
| 3-1-2 Connections to Analog Devices .....   | 3-2         |
| <b>3-2 Reference Signals for Video Output and Servo System .....</b>                  | <b>3-3</b>  |
| 3-2-1 External Sync Signal for the Internal Reference Video Signal<br>Generator ..... | 3-3         |
| 3-2-2 Reference Signal for the Servo System .....                                     | 3-4         |
| 3-2-3 Connecting Reference Signals .....  | 3-5         |
| <b>3-3 Setup .....</b>  | <b>3-7</b>  |
| <b>3-4 Superimposed Character Information .....</b>                                   | <b>3-8</b>  |
| <b>3-5 Cassettes .....</b>  | <b>3-10</b> |
| 3-5-1 Cassette Types .....  | 3-10        |
| 3-5-2 Inserting and Ejecting Cassettes .....  | 3-10        |
| 3-5-3 Preventing Accidental Erasure of Recordings .....                               | 3-11        |
| <b>3-6 Using a Memory Stick .....</b>   | <b>3-12</b> |
| 3-6-1 Notes on Memory Stick .....   | 3-12        |

## Chapter 4 Recording and Playback

|   |            |
|---|------------|
| <b>4-1 Recording .....</b>                          | <b>4-1</b> |
| 4-1-1 Preparations for Recording .....              | 4-1        |
| 4-1-2 Recording Time Code and User Bit Values ..... | 4-2        |
| 4-1-3 Recording Procedure .....                     | 4-5        |
| <b>4-2 Playback .....</b>                           | <b>4-6</b> |
| 4-2-1 Preparations for Playback .....               | 4-6        |
| 4-2-2 Playback Procedures .....                     | 4-7        |
| 4-2-3 Dynamic Motion Control (DMC) Playback .....   | 4-11       |

## Chapter 5 Editing

|  |            |
|--|------------|
| <b>5-1 Automatic Editing .....</b>             | <b>5-1</b> |
| 5-1-1 Overview .....                           | 5-1        |
| 5-1-2 Switch and Menu Settings .....           | 5-2        |
| 5-1-3 Selecting the Editing Mode .....         | 5-3        |
| 5-1-4 Setting Edit Points .....                | 5-3        |
| 5-1-5 Modifying and Deleting Edit Points ..... | 5-6        |
| 5-1-6 Cue-Up to Edit Points and Preroll .....  | 5-7        |
| 5-1-7 Preview .....                            | 5-7        |
| 5-1-8 Carrying Out Automatic Editing .....     | 5-8        |

(Continued)

# Table of Contents

---

|   |  |
|---|--|
| <b>Chapter 5</b><br><b>Editing (Continued)</b>  | <b>5-2 DMC Editing ..... 5-11</b><br>5-2-1 Overview of DMC Editing ..... 5-11<br>5-2-2 Carrying Out DMC Editing ..... 5-12<br><b>5-3 Special Automatic Editing Methods ..... 5-13</b><br>5-3-1 Quick Editing ..... 5-13<br>5-3-2 Continuous Editing ..... 5-13<br>5-3-3 Standalone Editing ..... 5-14<br>5-3-4 Manual Editing ..... 5-14<br>5-3-5 Preread Editing ..... 5-14           |
| <b>Chapter 6</b><br><b>Shot Mark Function</b>   | <b>6-1 Overview ..... 6-1</b><br><b>6-2 Shot Mark Operation Menu ..... 6-2</b><br><b>6-3 Shot Mark Operations ..... 6-3</b><br>6-3-1 Reading Shot Marks ..... 6-3<br>6-3-2 Writing Shot Marks ..... 6-3<br>6-3-3 Shot Mark List Operations ..... 6-4<br>6-3-4 Cueing Up to Shot Marks ..... 6-6<br>6-3-5 Reading In Shot Data ..... 6-7<br>6-3-6 Sorting Shot Marks ..... 6-8          |
| <b>Chapter 7</b><br><b>Tele-File</b>            | <b>7-1 Overview of Tele-File Functions ..... 7-1</b><br><b>7-2 Opening the Tele-File Menu ..... 7-2</b><br><b>7-3 Tele-File Menu ..... 7-3</b><br>7-3-1 Clip Data Display ..... 7-3<br>7-3-2 Preroll and Cue Up Using Clip Data ..... 7-6<br>7-3-3 Modifying Clip Data ..... 7-7<br>7-3-4 Undo/Resume Functions ..... 7-10<br>7-3-5 Displaying and Modifying Attribute Data ..... 7-11 |
| <b>Chapter 8</b><br><b>UMID Functions</b>       | <b>8-1 Overview of UMID Functions ..... 8-1</b><br><b>8-2 Recording UMIDs ..... 8-2</b><br><b>8-3 UMID Output and Display ..... 8-4</b><br>8-3-1 UMID Output Settings ..... 8-4<br>8-3-2 UMID Display ..... 8-4  |
| <b>Chapter 9</b><br><b>Essence Marks</b>        | <b>9-1 Overview of Essence Mark Functions ..... 9-1</b><br><b>9-2 Essence Mark Recording and Output ..... 9-2</b><br>9-2-1 Essence Mark Recording ..... 9-2<br>9-2-2 Essence Mark Output ..... 9-2   |
| <b>Chapter 10</b><br><b>Auto Event Detector</b> | <b>10-1 Overview of Auto Event Detector Functions ..... 10-1</b><br><b>10-2 Event Output and Recording ..... 10-1</b>  |

|  |   |
|--|---|
| <b>Chapter 11</b><br><b>Function Menu</b>                          | <b>11-1 Overview of the Function Menu ..... 11-1</b><br>11-1-1 Function Menu Configuration ..... 11-1<br>11-1-2 Using the Function Menu ..... 11-2<br><b>11-2 Function Menu Item List ..... 11-3</b>  |
| <b>Chapter 12</b><br><b>Setup Menus</b>                            | <b>12-1 Setup Menu Configuration ..... 12-1</b><br><b>12-2 Setup Menu Operations ..... 12-2</b><br><b>12-3 Items in the Basic Setup Menu ..... 12-5</b><br><b>12-4 Items in the Extended Setup Menu ..... 12-8</b>  |
| <b>Chapter 13</b><br><b>Setup Utility Menu</b><br><b>Functions</b> | <b>13-1 Overview of Setup Utility Menu Functions ..... 13-1</b><br>13-1-1 Using Memory Stick Data ..... 13-1  |
| <b>Chapter 14</b><br><b>Maintenance and</b><br><b>Inspection</b>   | <b>14-1 Removing a Cassette When Tape Slack Occurs ..... 14-1</b><br><b>14-2 Head Cleaning ..... 14-1</b><br><b>14-3 Error Messages ..... 14-2</b><br><b>14-4 Moisture Condensation ..... 14-4</b><br><b>14-5 Regular Checks ..... 14-5</b><br>14-5-1 Digital Hours Meter ..... 14-5<br>14-5-2 Maintenance Timings ..... 14-6 |
| <b>Appendix</b>  | <b>Specifications ..... A-1</b><br><br><b>Index ..... I-1</b>   |

# 1-1 Features

The DVW-M2000/M2000P/2000/2000P is a digital videocassette recorder based on the digital Betacam format.

This unit uses large scale integrated circuits for signal processing, and has a simple internal construction, allowing it to provide functionality at least equivalent to a conventional VTR in a compact (4U size),

lightweight, and low power consumption design. It not only offers recording and playback in digital Betacam format, but can also play back tapes recorded in Betacam SX format, analog Betacam format, or MPEG IMX format <sup>1)</sup>.

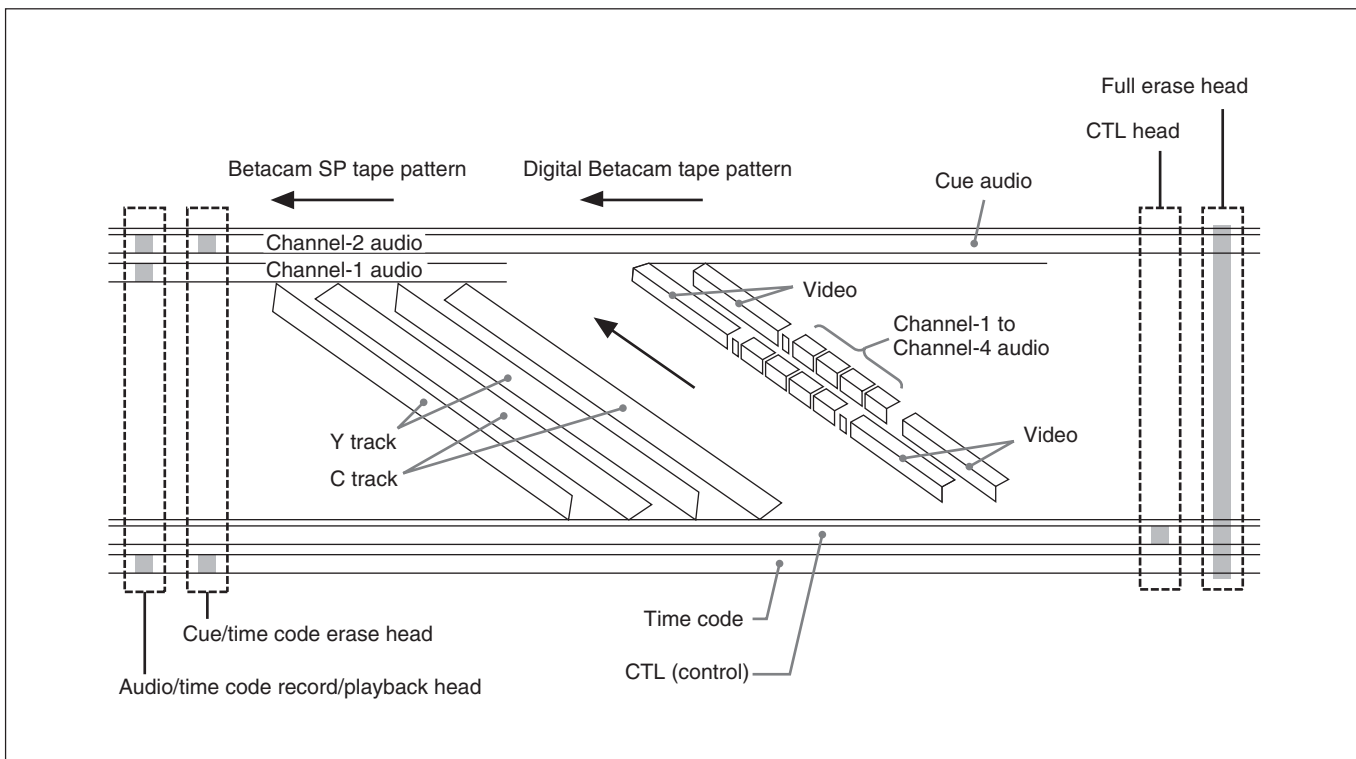
## Digital Betacam format

The digital Betacam format is characterized in that the video and four-channel audio signals of each field are recorded onto the tape with six helical tracks, at a slightly slower tape speed and three times faster drum rotation speed than the analog Betacam formats: Betacam, and Betacam SP.

As for longitudinal tracks, the digital Betacam format has a CTL track, a time code (LTC) track and a cue audio track, similarly to the analog Betacam formats.

However, it does not have a channel-1 audio track, and this is a solution to expand the space for the helical tracks.

Digital Betacam VTRs have a greater drum diameter than that of analog Betacam ones to ensure optimum digital recording, but their built-in time base corrector circuit enables them to play analog Betacam tapes (analog Betacam playback compatibility).



1) The DVW-2000/2000P does not support these three formats (Betacam SX, analog Betacam, MPEG IMX).

## 1-1 Features

---

### High-performance heads and compatibility playback function

The newly developed high-performance heads and dynamic tracking (DT) technology provide high-density recording and playback in narrow tracks with high reliability. In addition to the digital Betacam recording and playback heads, this unit is also equipped with Betacam SX format playback heads, MPEG IMX playback heads, and analog Betacam DT heads, to provide compatibility playback functions, and allowing a wide variety of recorded resources to be used effectively.

Note that the compatibility playback functions differ depending on the models covered by this manual. <sup>1)</sup>

### High-precision digital signal processing and range of interfaces

While supporting a wide range of input and output signals, all of the VTR internal processing is digital, providing high stability and reliability.

The audio signals, similarly, are based on AES/EBU format, and are subjected to digital signal processing while still uncompressed.

The following interfaces are standard equipment, for ease of connection to different external devices.

- Analog composite signal input/output
- Analog component signal input/output
- Analog audio signal input/output (4 channels)
- SDI (Serial Digital Interface) SMPTE 259M input (component digital video/audio (4 channels))
- SDI SMPTE 259M output (component digital video/audio (DVW-M2000/M2000P: 8 channels; DVW-2000/2000P: 4 channels))
- AES/EBU serial digital audio input (4 channels)
- AES/EBU serial digital audio output (DVW-M2000/M2000P: 8 channels; DVW-2000/2000P: 4 channels)
- Time code input/output
- Cue audio signal input/output

### High quality four-channel audio

High quality 20 bit/48 kHz digital audio is supported. There are four digital audio input/output channels, and four analog audio input/output channels.

### Newly developed multifunction control panel

While a compact 4U size, this unit has a front panel which provides a wide range of functions while maintaining existing operability.

### Basic operation buttons and jog/shuttle dial

The basic buttons and jog/shuttle dial for VTR and editing operations are provided in the conventional VTR layout, ensuring continuity with conventional operating panels.

### Time data display

This can be selected to display a CTL counter value, time code value, or time code user bits. It can also display edit points and edit durations.

### Menu-based control interface

The time data/menu display shows not only various values and settings, but also the pages of a menu system for commonly used functions. You can use the function keys and MULTI CONTROL knob to easily change settings.

Other operation settings, including interfacing with external devices, can be set from the control panel by the same type of setup menu system as on a conventional VTR.

---

1) The DVW-2000/2000P is equipped with no Betacam SX playback heads, no analog Betacam DT playback heads, and no MPEG IMX playback heads.



---

## High quality variable speed playback and digital jog sound function

In digital Betacam or MPEG IMX format<sup>1)</sup> playback, the dedicated playback DT heads allow smooth, noiseless playback from –1 to +3 times normal speed. In analog Betacam compatible playback also, similar dedicated DT heads allow noiseless playback from –1 to +3 times normal speed, and in Betacam SX format<sup>1)</sup> compatible playback, special multi-head playback technology allows noiseless playback from –1 to +2 times normal speed.

In slow motion operation, the digital jog sound function provides the same ease of operation as a conventional analog VTR.

---

## Wide range of editing functions

By combining two units, you can carry out both assemble editing and insert editing automatically. All of the necessary editing functions are provided to set and amend edit points, to preview and review results of editing, and so on.

---

## DMC editing

This allows automatic editing with a varying playback speed memorized beforehand for an edit segment.

---

## Split editing

In insert editing, this allows editing with the audio IN and OUT points to be displaced from the video edit points.

---

## Preread editing

This allows you to play back prerecorded video and audio material, edit it by applying effects with an external device, and then rerecord in real time on the same tape.

---

## Cross-fade editing

In audio editing, to avoid unnatural effects at edit points, you can fade the audio track. The setting allows you to select fade-in, fade-out, or cut-in.

---

## Tele-File functions

Tele-File enables data writing/reading between cassettes with memory labels and VTRs. It increases the efficiency of operations such as recording, playback and editing, and source data management.

---

## Remote control function

This unit can be controlled from an external remote controller or editor through an interface complying with RS-422A (serial 9-pin). Since two remote control connectors are provided, you can also control a number of VTRs simultaneously.

Additionally, a parallel (50-pin) interface is also fitted as standard, supporting easy external control through the parallel interface.

---

## Rack mounting

Using the optional RMM-131 Rack Mount Adaptor, you can mount the unit in a standard EIA 19-inch rack.

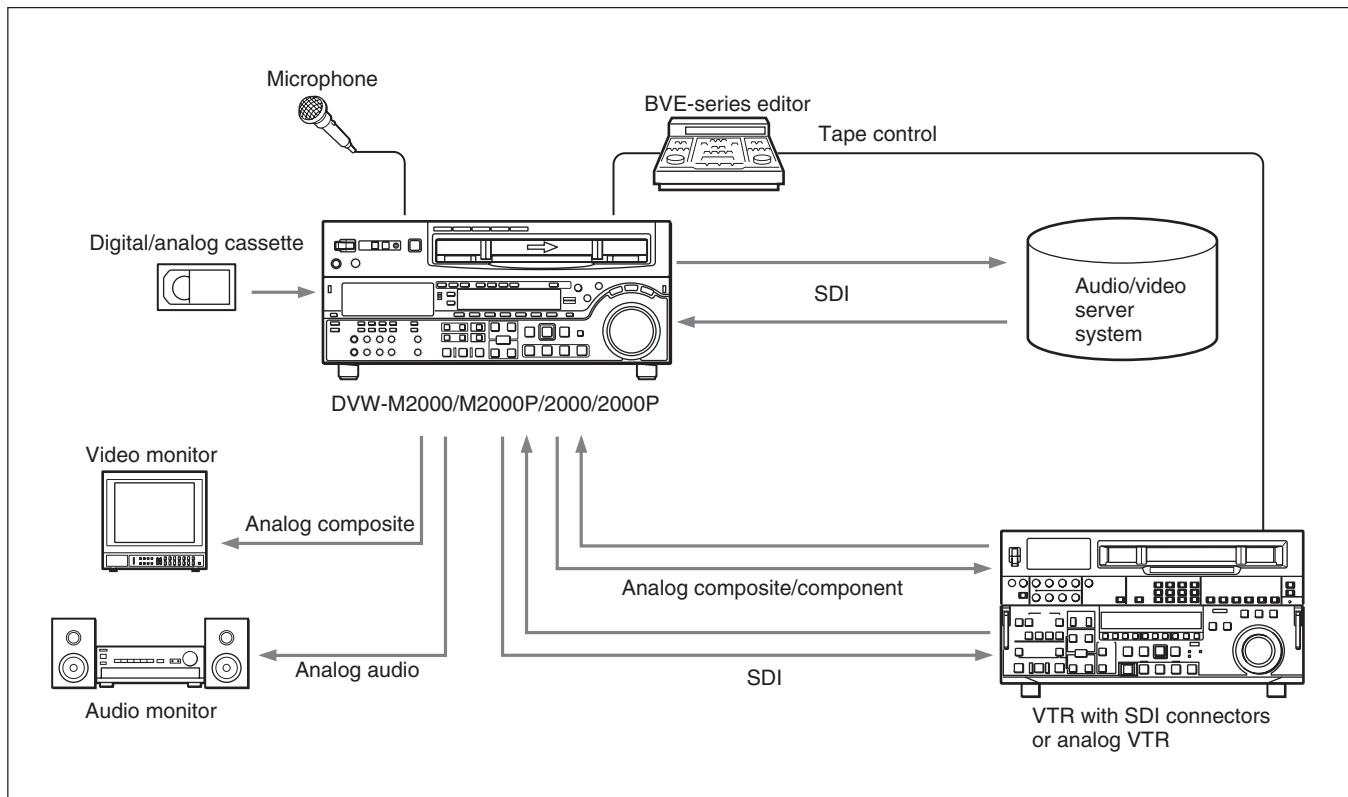
*For details of rack mounting, refer to the Installation Manual.*

---

1) The MPEG IMX and Betacam SX formats are not supported by the DVW-2000/2000P.

# 1-2 Example System Configuration

The following conceptual diagram shows an example of use.



# 1-3 Using the CD-ROM Manual

The supplied CD-ROM includes operation manuals for the DVW-2000 series of digital videocassette recorders (English, Japanese, French, and German versions).

## 1-3-1 CD-ROM System Requirements

The following are required to access the supplied CD-ROM disc.

- Computer: PC with Intel Pentium CPU
  - Installed memory: 64 MB or more
  - CD-ROM drive: × 8 or faster
- Monitor: Monitor supporting resolution of 800 × 600 or higher
- Operating system: Microsoft Windows Millennium Edition, Windows 2000 Service Pack 2, Windows XP Professional or Windows XP Home Edition

When these requirements are not met, access to the CD-ROM disc may be slow, or not possible at all.

## 1-3-2 Preparations

One of the following programs must be installed on your computer in order to use the operation manuals contained on the CD-ROM disc.

- Adobe Acrobat Reader Version 4.0 or higher
- Adobe Reader Version 6.0 or higher

### Note

If Adobe Reader is not installed, you can download it from the following URL:

<http://www.adobe.com/products/acrobat/readstep2.html>

## 1-3-3 Reading the CD-ROM Manual

To read the operation manual contained on the CD-ROM disc, do the following.

- 1 Insert the CD-ROM disc in your CD-ROM drive.

A cover page appears automatically in your browser. If it does not appear automatically in the browser, double-click the index.htm file on the CD-ROM disc.

- 2 Select and click the operation manual that you want to read.

This opens the PDF file of the operation manual.

### Note

If you lose the CD-ROM disc or become unable to read its content, for example because of a hardware failure, you can do one of the following.

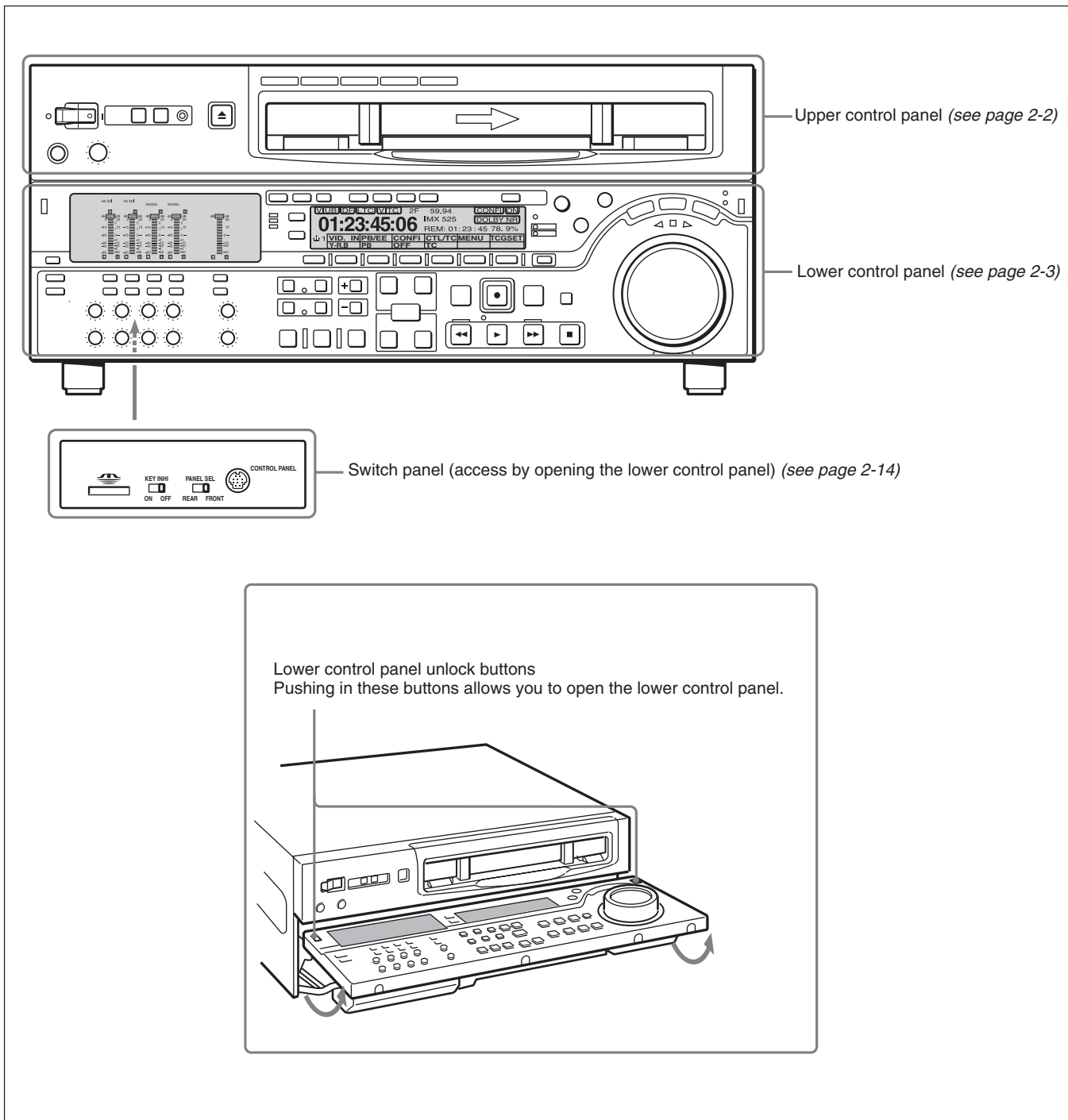
You can purchase a new CD-ROM disc to replace one that has been lost or damaged. Contact your Sony service representative.

- 
- Intel and Pentium are registered trademarks of Intel Corporation or its subsidiaries in the United States and other countries.
  - Microsoft and Windows are registered trademarks of Microsoft Corporation in the United States and/or other countries.
  - Adobe, Acrobat, and Adobe Reader are trademarks of Adobe Systems Incorporated in the United States and/or other countries.

## 2-1 Control Panels

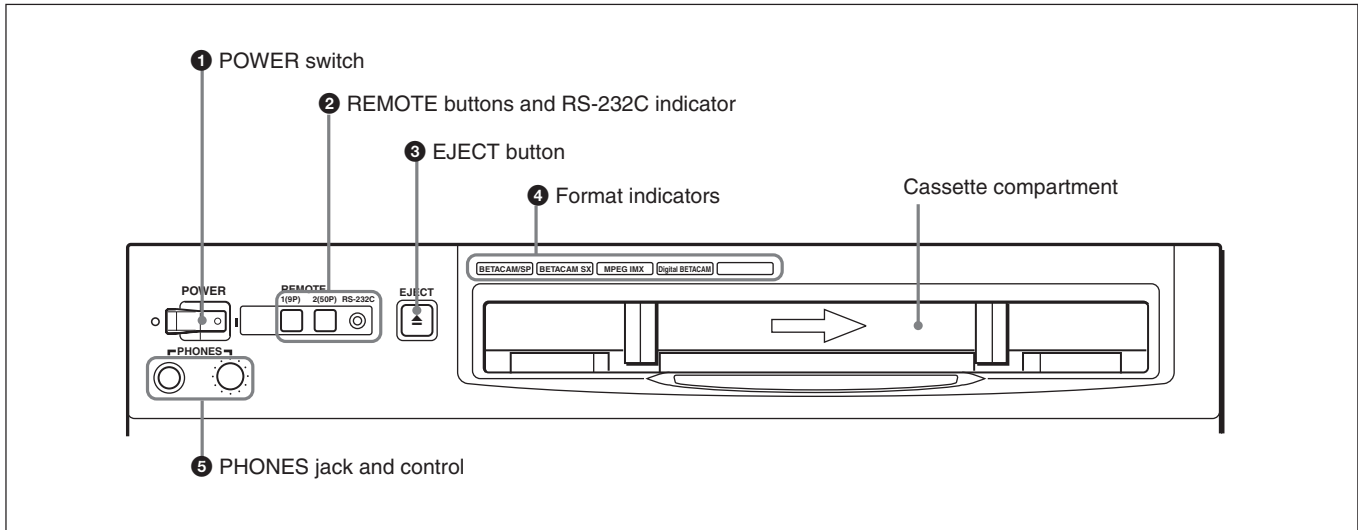
There are three control panels, as follows:

- Upper control panel
- Lower control panel
- Switch panel



## 2-1 Control Panels

### 2-1-1 Upper Control Panel



#### 1 POWER switch

Pressing the 'I' side of the switch powers the unit on. When the unit is powered on, the audio setting display section (*see page 2-5*) and the time data/menu display section (*see page 2-7*) light.

#### 2 REMOTE buttons and RS-232C indicator

Press one of these buttons to select the device controlling this unit.

**1(9P):** This unit is controlled by the device connected to the REMOTE 1-IN(9P) or REMOTE 1-OUT(9P) connector. The button lights.

**2(50P):** This unit is controlled by the device connected to the REMOTE 2 PARALLEL I/O(50P) connector. The button lights.

**RS-232C indicator:** This indicator lights when this unit is controlled through the RS-232C connector.

#### 3 EJECT button

To eject the cassette, press this button. While the cassette is being ejected, this button lights.

When using the lower control panel as remote control panel, press the DELETE button and STOP button at the same time to eject the cassette.

#### Note

Ejecting with the EJECT button is a local operation. It is not possible to eject a cassette in another unit by remote control.

#### 4 Format indicators

The BETACAM/SP, BETACAM SX, MPEG IMX, or Digital BETACAM indicator<sup>1)</sup> lights depending on the current recording or playback format.

The BETACAM/SP indicator lights when the format is Betacam or Betacam SP.

#### 5 PHONES jack and control

Connect stereo headphones with an impedance of 8 ohms, to monitor the sound during recording, playback and editing.

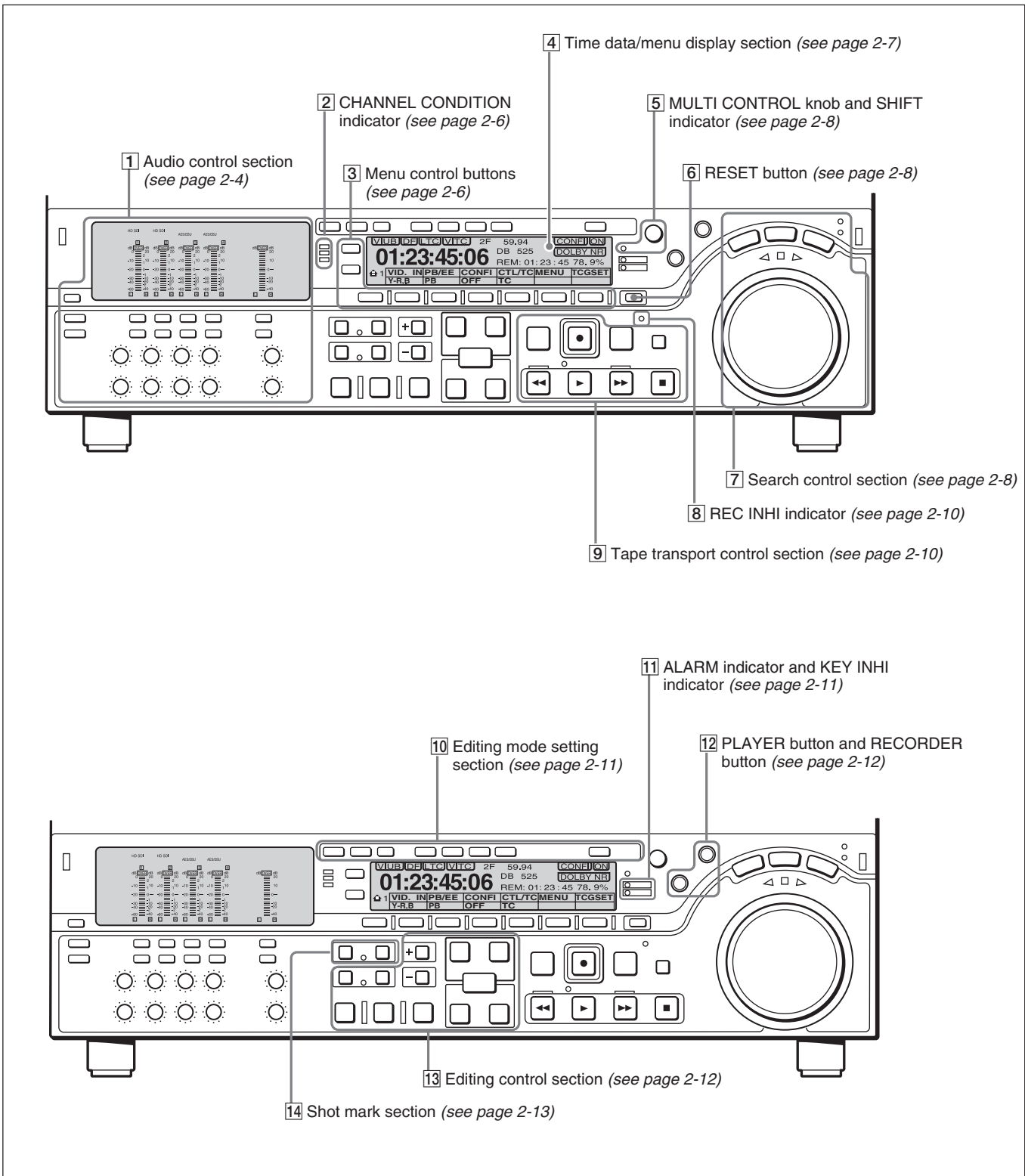
The control knob adjusts the volume.

It is possible to set an internal board switch so that the output volume from the MONITOR OUTPUT L and R connectors is controlled simultaneously.

*For details, refer to the Installation Manual.*

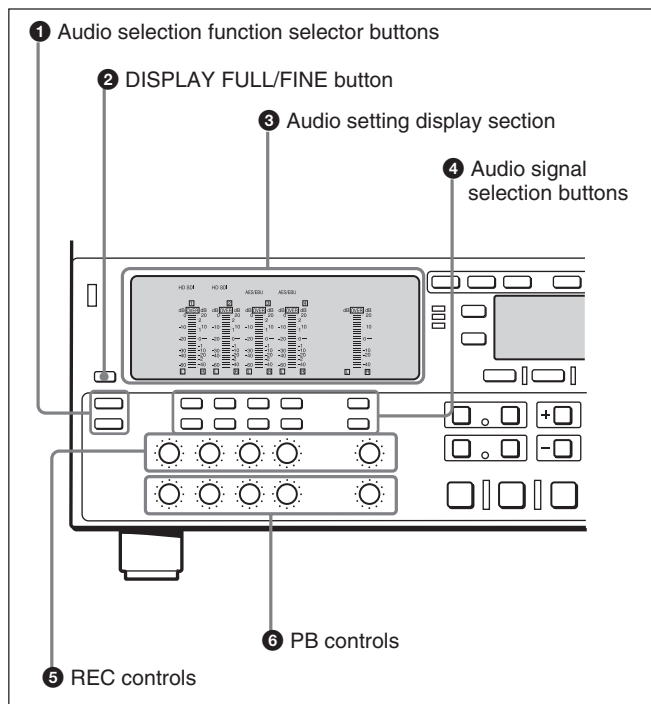
1) The BETACAM/SP, BETACAM SX, and MPEG IMX indicators do not exist on the DVW-2000/2000P.

## 2-1-2 Lower Control Panel



## 2-1 Control Panels

### 1 Audio control section



In the audio control section, you can select and display input and output signals for audio channels.

#### 1 Audio selection function selector buttons

##### INPUT (input signal selection mode) button:

Pressing this button puts the unit into input signal selection mode. In the audio setting display section, indicators flash to indicate the currently selected signal for each channel (SDI, AES/EBU, or ANA). In this state, you can use the audio signal selection buttons to select the signal to input to each channel.

You can select the following signals for audio input channels 1 to 4, respectively.

- For input channel 1: SDI-1, SDI-5, AES/EBU-1, or ANALOG-1
- For input channel 2: SDI-2, SDI-6, AES/EBU-2, or ANALOG-2
- For input channel 3: SDI-3, SDI-7, AES/EBU-3, or ANALOG-3
- For input channel 4: SDI-4, SDI-8, AES/EBU-4, or ANALOG-4

Pressing this button again takes the unit out of input signal selection mode and puts it into monitor signal selection mode.

**MIXING (mixing setting mode) button:** Pressing this button puts the unit into mixing setting mode. In the audio setting display section, the MIX indicator flashes. In this state, you can use the audio signal selection buttons to specify which input channel signal will be recorded on which audio track on the tape. Pressing this button again takes the unit out of mixing setting mode and puts it into monitor signal selection mode.

*On how to operate in input signal selection mode, mixing setting mode, and monitor signal selection mode, see the descriptions of the audio signal selection buttons on page 2-5.*

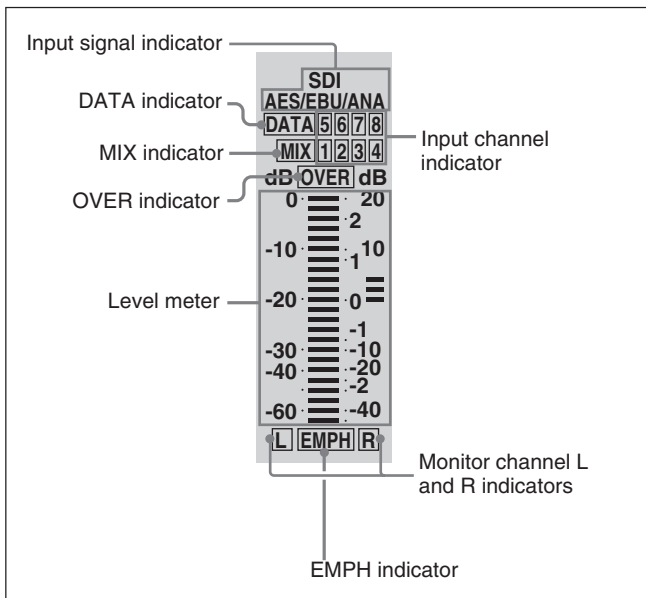
#### 2 DISPLAY FULL/FINE button

Pressing this button toggles the display mode of the level meters in the audio setting display section between FULL and FINE.

**FULL:** The display covers the range  $-60$  dB to  $0$  dB or  $-40$  dB to  $+20$  dB as selected using setup menu item 806. In this mode the segment of the display corresponding to the current audio level and all lower segments light.

**FINE:** The display is enlarged, with a step of  $0.25$  dB. A segment indicating the reference level lights. In this mode only the segment of the display corresponding to the current audio level lights. If the audio level exceeds the maximum display level, the top segment flashes, and if the audio level goes below the minimum display level, the bottom segment flashes.

### 3 Audio setting display section



**Input signal indicator:** Indicates the currently selected input signal ('SDI', 'AES/EBU', 'ANA' for analog) for the corresponding audio input channel.

**DATA indicator:** Lights when the corresponding audio track (audio channel on the tape) is put into data mode.

*For details of the data mode, refer to the Maintenance Manual Volume 1.*

**MIX (mixing) indicator:** Flashes when a mixing setting operation is enabled for the corresponding audio track. The indicator showing the number of the selected input channel lights.

**OVER indicator:** While the unit is in recording or playback mode, this lights when the level of the audio signal on the corresponding channel exceeds the maximum level that can be indicated on the level meter.

**Level meter:** Displays the audio signal level when the unit is in recording, E-E<sup>1)</sup>, or playback mode. You can use the setup menu to switch the display mode between PEAK.0 (0 dB is maximum level) and REF.0 (0 dB is the reference level). You can also use the DISPLAY FULL/FINE button 2 to enlarge the display only near the reference level.

**Input channel indicator:** Indicates the input channel from which audio signals are recorded on the audio track. Two numbers light to indicate that signals from the corresponding input channels are mixed for recording.

**Monitor channel L and R indicators:** Indicate whether or not the signals of the track are output to the MONITOR OUTPUT L and R connectors or the PHONES jack. 'L' lights to indicate output to the left monitor channel, and 'R' lights to indicate output to the right monitor channel.

**EMPH (emphasis) indicator:** While the unit is in recording or playback mode, this lights when the emphasis setting is on for the audio signal on the corresponding track.

### 4 Audio signal selection buttons (CH1 to CH4, CUE)

The function of these buttons depends on the signal selection mode set with the audio selection function selector buttons (INPUT, MIXING) 1 as follows.

**Input signal selection mode (the input signal indicator flashes):** The buttons in the upper row select signals for each audio input channel. Each time you press the CH1 (CH2, CH3, CH4) button, the selected signal cycles through SDI (channel 1 (2, 3, 4)) → SDI (channel 5 (6, 7, 8)) → AES/EBU → ANA(analog) → SDI (channel 1 (2, 3, 4))...

Press the INPUT button to confirm the input signal selections.

**Mixing setting mode (the MIX indicator flashes):** The buttons in the lower row (REC row) select the tracks (audio channels on the tape) to contain the mixed signals. In the audio setting display section, the MIX indicator for the corresponding track flashes. The buttons in the upper row (EXT row) select the input channel signals to record on the corresponding track. By pressing two buttons at the same time, you can specify that the signals of two input channels be mixed for recording. For example, if you want to record the mixed signals of input channels 1 and 4 on track 3, press the CH3 button in the lower row (REC row), and then simultaneously press the CH1 and CH4 buttons in the upper row (EXT row).

1) E-E mode: Abbreviation of "Electric-to-Electric mode". In this mode, video and audio signals input to the VTR are output after passing through internal electric circuits,

but not through magnetic conversion circuits such as heads and tapes. This can be used to check input signals and for adjusting input signal levels.



## 2-1 Control Panels

### Note

Before selecting signals from two input channels for recording in one recorder channel, check to be sure that the emphasis settings (ON or OFF) of the two input channels are the same. Recording and playback of mixed signals cannot be carried out correctly if the emphasis settings are different. For audio tracks with emphasis on, the EMPH indicator in the audio setting display section lights.

### Monitor signal selection mode (the input signal indicator and the MIX indicator do not flash):

The buttons in the upper and lower rows select tracks to be output to the MONITOR OUTPUT L and R connectors on the connector panel or the PHONES jack on the upper control panel. The buttons in the upper row (L row) select tracks for output to the MONITOR OUTPUT L connector, and the buttons on the lower row (R row) select tracks for output to the MONITOR OUTPUT R connector. You can obtain the mixed output of multiple tracks by simultaneously pressing multiple buttons in the upper or lower rows. For example, simultaneously press the CH1, CH2, and CH3 buttons in the upper row to mix the signals of audio tracks 1, 2, and 3 for output to the MONITOR OUTPUT L connector.

To monitor channels 5 to 8 in MPEG IMX playback, press the CUE button to switch between CH1 to CH4 and CH5 to CH8, and then select the desired channels.

### 5 REC (recording) controls

These individually adjust the recording levels on channels 1 to 4 and cue audio.

To set the recording level, put the unit into E-E mode, press to protrude the control knobs and adjust the level while watching the level meters.

When the control knobs are pushed in, the recording levels return to the preset levels and cannot be adjusted.

*For details about selecting the E-E mode, see the description of the REC button in the tape transport control section (see page 2-10) and function menu HOME page (see page 11-3).*

### 6 PB (playback) controls

These adjust individually the playback levels on channels 1 to 4 and cue audio.

During playback, press to protrude the control knobs and adjust the level while monitoring the audio level indication on the level meters in the audio setting display section.

When the control knobs are pushed in, the playback levels return to the preset levels, and cannot be adjusted.

*On how to adjust the output levels of audio channel 5 to 8 during IMX tape playback, see the description of setup menu item 826 (page 12-29)*

### 2 CHANNEL CONDITION indicator

A three-color indicator shows the state of the playback signal.

**Green:** The state of the playback signal is good.

**Yellow:** The playback signal is somewhat deteriorated, but playback is possible.

**Red:** The playback signal is deteriorated.

When this indicator remains on, head cleaning or an internal inspection is necessary.

### 3 Menu control buttons

These buttons are used for function menu (*see the following section "Overview of the function menu"*) and setup menu (*see Chapter 12*) operations. The page buttons (▼, ▲, and HOME) select menu pages, and the function buttons (F1 to F6) make function settings.

▼: Selects the next page in the order HOME → 1 → 2 → 3 → 4 → 5 → HOME.

▲: Selects the next page in the order HOME → 5 → 4 → 3 → 2 → 1 → HOME.

When there are setup menu definitions on page 6, page 6 is displayed between page 5 and the HOME page.

**HOME:** Selects the function menu HOME page.

When at least one user-defined function key is set in the HOME2 page, pressing the HOME button toggles the menu page display between HOME and HOME2.

**F1 to F6:** Make settings for the items displayed in the upper line of the menu display (the menu item display line). Pressing one of these buttons changes the setting for the corresponding item and displays the setting in the lower line of the menu display.

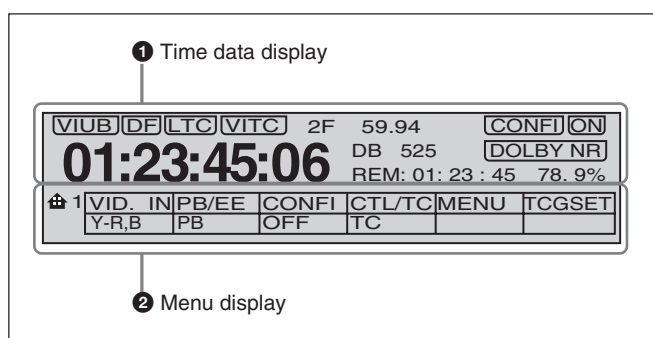
If there is no setting displayed in the lower line of the menu display, even though a menu item is displayed in the upper line, pressing the corresponding function button moves to a lower menu level.

### Overview of the function menu

The function menu provides convenient access to frequently used function settings, such as input video signal selection and time code settings.

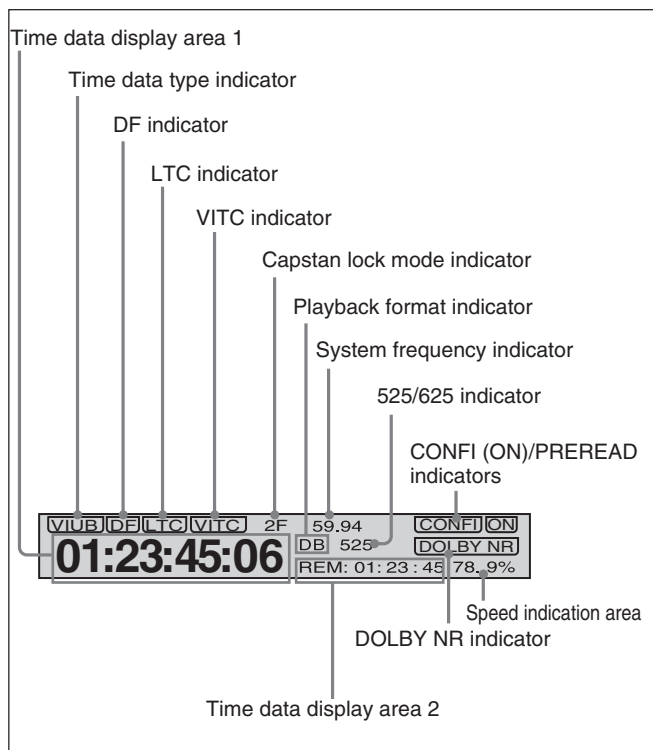
For details on the function menu, see Chapter 11.

## 4 Time data/menu display section



### 2 Time data display

This displays indicators relating to time data and other indicators.



### Time data display area 1

Normally this displays a CTL count, time code value, or user bit value according to the setting in function menu HOME page for F4 (CTL/TC).

### Time data type indicator

This indicates the type of data displayed in the time data display area 1.

**LTC (longitudinal time code):** Time code recorded on a longitudinal track on the tape

**LUB:** LTC user bit values

**VITC (vertical interval time code):** Time code recorded in the vertical blanking interval

**VIUB:** VITC user bit value

### DF (drop-frame) indicator (525-line mode only)

This lights when values of drop-frame mode time code are displayed.

### LTC indicator

Regardless of the display in time data display area 1, this indicator lights when LTC values are being read or recorded.

### VITC indicator

Regardless of the display in time data display area 1, this indicator lights when VITC values are being read or recorded.

### Capstan lock mode indicator

This indicates the capstan lock mode (2F, 4F, or 8F) set in function menu page 4 or in setup menu item 106.

### Playback format indicator

This indicator shows the current playback format.

**DB:** Digital Betacam format

**IMX:** MPEG IMX format, bit rate 50 Mbps, 8 audio channels/16 bits

**IMX4:** MPEG IMX format, bit rate 50 Mbps, 4 audio channels/24 bits

**SX:** Betacam SX format

**SP:** Betacam SP format

**No display:** Betacam format

### System frequency indicator

Displays the current playback field frequency.

### 525/625 indicator

This indicator shows the number of scan lines for the television standard (525 (NTSC) or 625 (PAL)) selected using setup menu item 013.

## 2-1 Control Panels

### CONFI (ON)/PREREAD indicators

These indicate the state of the VTR CONFI playback <sup>1)</sup> function. When the CONFI playback function is enabled by the setting in function menu HOME page, the CONFI indicator appears, and when CONFI playback is actually being carried out the ON indicator also appears.

When F6 (PREREAD) is set to ON in function menu page 4, the CONFI playback function is disabled and one of the following is displayed.

**PREREAD:** Preread of both audio and video

**A-PREAD:** Preread of both audio only

**V-PREAD:** Preread of video only

### Time data display area 2

Displays data types and time data such as the time code of edit points and the total time of that tape. The following data types are shown.

**TOTL:** Time value representing the total tape length.

**REM:** Time value representing the remaining tape length.

Either TOTL or REM appears depending on the function menu page 3 setting for F5 (T INFO).

The values displayed are approximate values calculated on the basis of the detected tape diameter.

They are not precise to units of seconds.

**BOT:** Returned to top of tape.

**EOT:** Reached end of tape.

**IN:** video IN point

**OUT:** video OUT point

**AIN:** audio IN point

**AOUT:** audio OUT point

**DUR:** duration value

**TCG (time code generator):** time code generated by the internal time code generator

### DOLBY NR indicator

This lights when the Dolby noise-reduction <sup>2)</sup> circuit is functioning.

### Speed indication area

This indicates the speed of a DMC playback.

During a DMC playback, "DMC SPD" is displayed in time data display area 2.

### 2 Menu display

This displays the function menu and setup menu.

For details on the function menu, see Chapter 11 and for details on the setup menu, see Chapter 12.

### 5 MULTI CONTROL knob and SHIFT indicator

In function menu operations, rotate the MULTI CONTROL knob to change settings that flash in the menu display section. In setup menu operations, rotate this knob to select menu items.

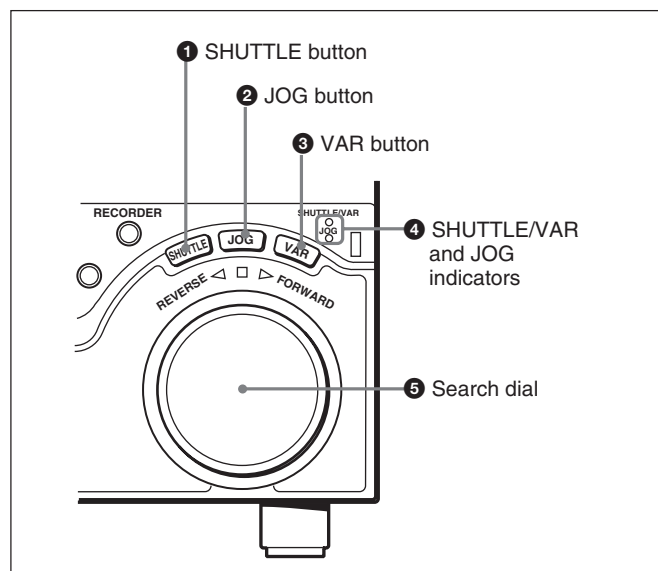
The SHIFT indicator lights when you press this knob in. In this state, the value of the setting changes by a greater amount when you rotate the knob.

### 6 RESET button

To reset a CTL, time code (TC) or user bit (UB) value displayed in time data display area 1, hold this button down.

Resetting the CTL value erases all edit points.

### 7 Search control section



1) CONFI playback: This refers to playback of the audio and video signals immediately after recording, using the confidence heads, the signal being output to all intents and purposes simultaneously with recording. This is used to check recording.

2) Dolby noise reduction: Dolby noise reduction manufactured under license from Dolby Laboratories Licensing Corporation. "DOLBY" and the double-D symbol  $\square$  are trademarks of Dolby Laboratories Licensing Corporation.

**1 SHUTTLE button**

To use the search dial for playback in shuttle mode, press this button, turning it on.

For details of playback in shuttle mode, see the description of the search dial 5.

**2 JOG button**

To use the search dial for playback in jog mode, press this button, turning it on.

For details of playback in jog mode, see the description of the search dial 5.

**3 VAR (variable) button**

To use the search dial for playback in variable speed mode, press this button, turning it on.

For details of playback in variable speed mode, see the description of the search dial 5.

**4 SHUTTLE/VAR and JOG indicators**

Either of the indicators is lit to show the current search mode or the mode used last. When the unit is turned on, the SHUTTLE/VAR indicator lights.

**When the SHUTTLE/VAR indicator is lit:** Shuttle or variable speed mode

**When the JOG indicator is lit:** Jog mode

**5 Search dial**

Turn this to carry out playback in the modes shown in the following table. Turning the dial clockwise lights the ▷ indicator and plays back in the forward direction. Turning the dial counterclockwise lights the ◁ indicator and plays back in the reverse direction. When the tape is stopped or the unit is turned on, the □ indicator lights. Pressing the dial toggles between shuttle and jog modes or between variable speed and jog modes.

You can carry out noiseless playback in the following speed ranges depending on the tape format.

**Digital Betacam:** -1 to +3 times normal speed

**MPEG IMX:** -1 to +3 times normal speed

**Betacam SX:** -1 to +2 times normal speed

**Betacam/Betacam SP:** -1 to +3 times normal speed

Playback modes using the search dial

| Playback mode    | Operations and functions   |
|------------------|--|
| Shuttle          | <p>Press the SHUTTLE button or the search dial so that the SHUTTLE button lights, then turn the search dial. Playback is carried out at a speed determined by the position of the search dial. The playback speed range is as follows:</p> <ul style="list-style-type: none"> <li>• Using a Digital Betacam tape: -50 to +50 times normal speed</li> <li>• Using an MPEG IMX tape: -78 to +78 times normal speed</li> <li>• Using a Betacam SX tape: -78 to +78 times normal speed</li> <li>• Using an analog Betacam tape: -35 to +35 times normal speed for 525/60 mode or -42 to +42 times normal speed for 625/50 mode</li> </ul> <p>The search dial has detents at the still position and at ±5 times normal speed.</p> <p>The maximum shuttle mode playback speed can be changed by changing the setting of setup menu item 102 (see page 12-8).</p> |
| Jog              | <p>Press the JOG button or the search dial so that the JOG button lights, then turn the search dial. Playback is carried out at a speed determined by the speed of rotation of the search dial. The playback speed range is -1 to +1 time normal speed.</p> <p>The search dial has no detents.</p>   |
| Variable speed   | <p>Press the VAR button, turning it on, then turn the search dial. You can control the playback speed finely (a maximum of 51 steps) in the range in which noiseless playback is possible.</p> <p>The search dial has detents at the still position and at the normal speed position.</p>  |
| Capstan override | For details on operation, see page 4-9.  |

Setting setup menu item 101 (see page 12-8) to KEY enables you to use only the SHUTTLE, JOG, and VAR buttons to select shuttle/jog/variable speed modes.

## 2-1 Control Panels

### 8 REC INHI (recording inhibit) indicator

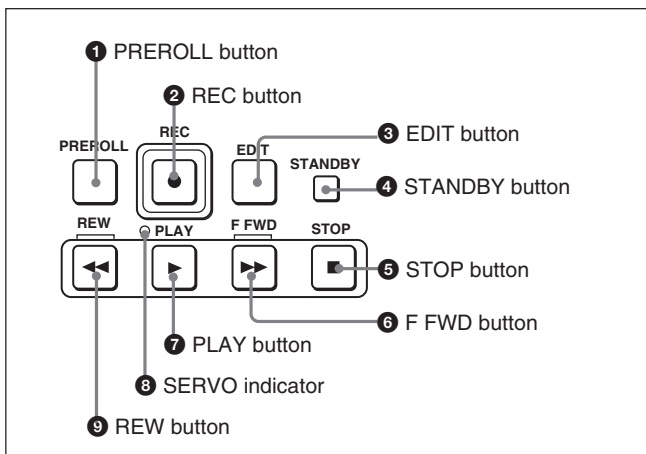
This indicator is on or off according to the combination of the F5 (RECINH) setting on function menu page 4 and the record inhibit plug on the cassette, as shown in the following table. When this indicator is on, recording on tape is prohibited.

REC INHI indicator indications

| RECINH setting | State of the record inhibit plug on the cassette | REC INHI indicator state |
|----------------|--|--------------------------|
| ON             | Record inhibit/permit                            | Lit                      |
| OFF            | Record inhibit                                   | Lit <sup>a)</sup>        |
|                | Record permit                                    | Off                      |

a) It is possible to make a setting (setup menu item 107) so that in this case the indicator flashes.

### 9 Tape transport control section



#### 1 PREROLL button

Press this button to cue up to the preroll point (before the IN point by the time set as the preroll time) on the tape. You can change or select the preroll time and the state of the unit at the end of preroll (“stop mode”<sup>1)</sup> or (still playback mode) using setup menu item 001 or 401.

#### Cuing up edit points

Hold down the IN, OUT, AUDIO IN, or AUDIO OUT button while pressing this button to cue up to the corresponding edit point.

#### 2 REC (record) button

To start recording, press this button together with the PLAY button, turning it on.

#### Monitoring in E-E mode

When the unit is in stop mode, pressing the REC button causes it to light and allows you to monitor the video and audio in E-E mode. To return to the original state, press the STOP button.

During playback, search, fast forward, or rewind, while the REC button is held down you can monitor the video and audio in E-E mode. In this case the button does not light.

#### 3 EDIT button

To carry out manual editing, press this button simultaneously with the PLAY button.

#### Monitoring in E-E mode

When the unit is in stop mode, pressing the EDIT button causes it to light and allows you to monitor the input signal selected with the ASSEMBLE button or INSERT buttons in E-E mode. To return to the original state, press the STOP button.

During playback, search, fast forward, or rewind, while the EDIT button is held down you can monitor the video and audio input signals in E-E mode.

#### 4 STANDBY button

When a cassette is inserted and this button is off, to put the unit in standby mode, press the button, turning it on.

In standby mode, the drum is rotating and the tape is in contact with the drum. As a result, recording or playback can start immediately.

To end standby mode, press the STANDBY button, turning it off.

If 8 minutes (value can be varied using setup menu item 501) elapse in standby mode, the unit automatically switches out of standby mode to protect the tape.

1) Stop mode: The state in which the device currently the subject of operation is stopped, and the STOP button is lit.

## 5 STOP button

To stop recording or playback, press this button, turning it on.

When you stop playback, the unit switches either to still playback or to E-E mode according to the setting on function menu HOME page for F2 (PB/EE) and the setting of setup menu item 108.

## Fault display function

The STOP button flashes in the following cases related to reference signals:

- When F2 (OUTREF) is set to INPUT on function menu page 4, and there is no input video signal.
- When F2 (OUTREF) is set to REF in function menu page 4, and there is no external reference signal input or the input external reference signal is not synchronized to the input video signal.

## 6 F FWD (fast forward) button

To fast forward the tape, press this button, turning it on.

## 7 PLAY button

To start playback, press this button, turning it on.

## To operate in capstan override mode

Hold down this button, and turn the search dial.

For details of capstan override mode, see page 4-9.

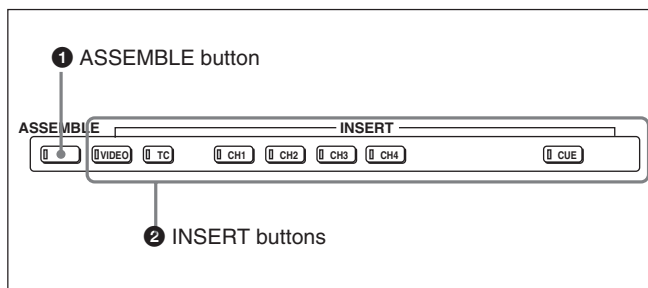
## 8 SERVO indicator

Lights when the drum servo and capstan servo are locked.

## 9 REW (rewind) button

To rewind the tape, press this button, turning it on.

## 10 Editing mode setting section



## 1 ASSEMBLE button

Press this button, turning it on, to carry out assemble editing<sup>1)</sup>.

All signals (video signals, audio signals, time code signals, and so on) are recorded together.

Press the button again, turning it off, to exit from assemble editing mode.

### Note

When even one of the INSERT buttons is lit, the ASSEMBLE button does not work. To use the ASSEMBLE button, turn off all the lit INSERT buttons.

## 2 INSERT buttons

Press the corresponding button, turning it on, to select a signal for insert editing<sup>2)</sup>. Press the button again, turning it off, to cancel the selection.

**VIDEO button:** Selects the video signal.

**TC (time code) button:** Selects time code.

**CH1 to CH4 (audio channels 1 to 4) buttons:**

Select the signals on audio channels 1 to 4.

**CUE button:** Selects the cue audio signal.

### Note

When the ASSEMBLE button is lit, none of the INSERT buttons work. To use INSERT buttons, press the ASSEMBLE button, turning it off.

## 11 ALARM indicator and KEY INHI indicator

### ALARM indicator

This lights when a hardware error is detected on the unit, and goes off when the error is resolved.

When this indicator is lit, an error message appears in the time data/menu display section. If you are using the SDI OUTPUT 3 (SUPER) or COMPOSITE VIDEO OUTPUT 3 (SUPER) connector, then when the setting of F4 (CHARA) in function menu page 4 is ON, the error message also appears on the monitor screen.

For details on error messages, refer to Section 1-24 in the Maintenance Manual Volume 1.

1) Assemble editing: Editing in which new video/audio is added in sequence to the end of existing recorded video/audio.

2) Insert editing: Editing in which new video/audio is added to an intermediate position of existing recorded video/audio.

## 2-1 Control Panels

### KEY INHI (inhibit) indicator

This indicator lights when the KEY INHIBIT switch on the switch panel (*see page 2-14*) is set to ON.

### 12 PLAYER button and RECORDER button

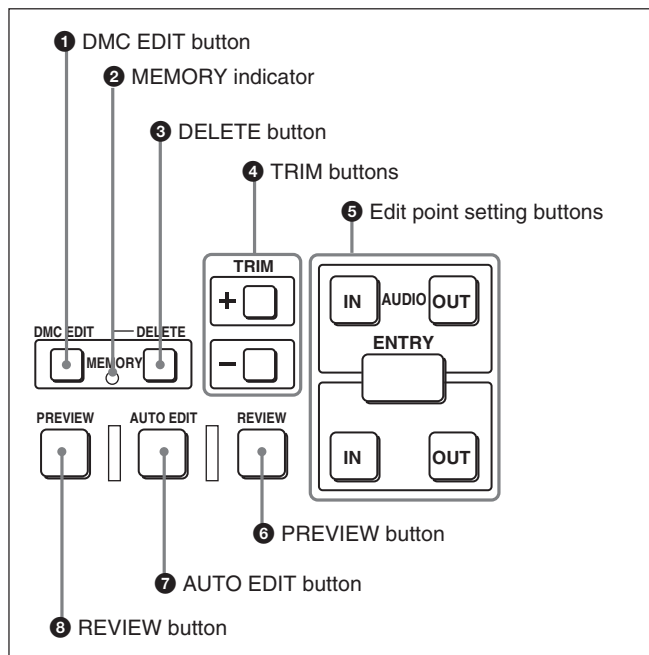
When you carry out editing using a VTR connected to the REMOTE 1-IN(9P) or REMOTE 1-OUT(9P) connector (*see page 2-18*) as the player and this unit as the recorder, these buttons select which VTR the editing control buttons and tape transport buttons on this unit control.

**PLAYER:** The editing control buttons and tape transport buttons on this unit control the external player VTR.

**RECORDER:** The editing control buttons and tape transport buttons on this unit control the recorder, that is to say, this unit.

When this unit is being used in standalone mode, neither button functions.

### 13 Editing control section



#### 1 DMC EDIT button

To carry out recording of playback at any speed between  $-1$  and  $+3$  times normal (between  $-1$  and  $+2$  times normal for Betacam SX), automatic playback, and automatic editing.

#### 2 MEMORY indicator

When memorizing the playback speed using the DMC EDIT button, this indicator flashes as the playback speed is captured to memory, and lights continuously once the speed is captured.

#### 3 DELETE button

This deletes an existing edit point.

Hold down this button and press the IN, OUT, AUDIO IN, or AUDIO OUT button which is lit, indicating an existing edit point, to delete the corresponding edit point. The button either goes off or flashes. When the button flashes, it is necessary to set the deleted edit point again.

To cancel the DMC mode, hold down the DMC EDIT button and press the DELETE button.

#### 4 TRIM buttons

Use these buttons to trim an edit point to single-frame precision.

Hold down the IN, OUT, AUDIO IN, or AUDIO OUT button, and press one of these buttons. The '+' button advances the corresponding edit point by one frame, and the '-' button sets it back by one frame.

Pressing one of these buttons while holding down the PLAY button adjusts the tape speed by  $+8\%$  or  $-8\%$  correspondingly. (Capstan override function)

#### 5 Edit point setting buttons

**IN button and OUT button:** To set a video IN point or OUT point, hold down the IN button or OUT button, and press the ENTRY button.

After you have made the setting, pressing the IN button or OUT button displays the video IN point or video OUT point set in time data display area 2.

**AUDIO IN button and AUDIO OUT button:** In insert editing, to set an audio IN point or audio OUT point separate from the corresponding video edit point, hold down the AUDIO IN button or AUDIO OUT button, and press the ENTRY button.

After you have made the setting, pressing the AUDIO IN button or AUDIO OUT button displays the audio IN point or audio OUT point set in time data display area 2.

**ENTRY button:** Use this for setting edit points and so on.

- To set a video IN point or OUT point: Hold down the IN button or OUT button, and press this button.
- To set an audio IN point or OUT point: Hold down the AUDIO IN button or AUDIO OUT button, and press this button.

### ⑥ REVIEW button

Use this button to review the editing results after carrying out automatic editing.

### ⑦ AUTO (automatic) EDIT button

After edit point setting, to carry out automatic editing (recording), press this button, turning it on.

If the IN point is not set, the automatic editing is carried out with the point where you pressed this button as the IN point.

If you pressed the PREVIEW button to carry out a preview, when the preview ends this button flashes.

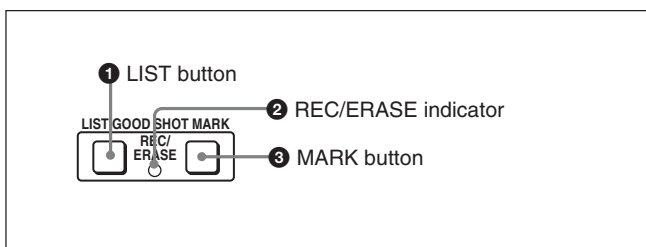
### ⑧ PREVIEW button

After edit point setting, to preview the editing results on the monitor before recording, press this button, turning it on.

If the IN point is not set, the preview is carried out with the point where you pressed this button as the IN point.

During the preview it is lit, and when the preview ends it flashes.

## 14 Shot mark section



### ① LIST button

Use this button to read in and list shot marks.

### ② REC/ERASE indicator

This lights in the state in which writing, amending, and deleting of shot marks is enabled and flashes while a shot mark is actually being written, amended or deleted.

### ③ MARK button

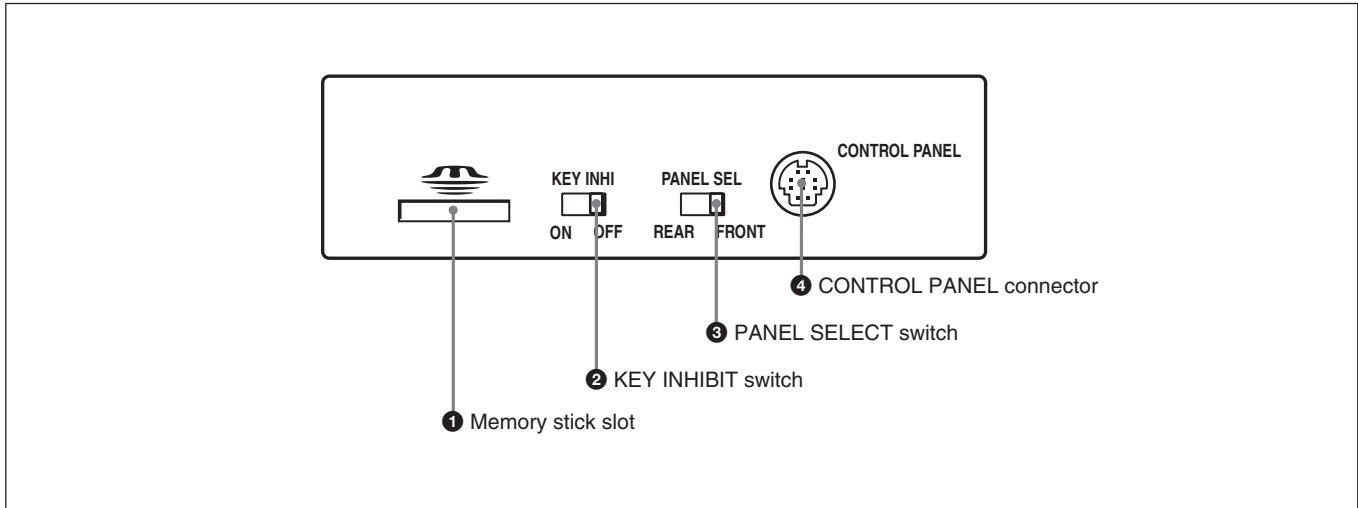
Hold this button down for 2 seconds or more, to enable writing, amending, and deleting of shot marks.



## 2-1 Control Panels

### 2-1-3 Switch Panel

To access the switch panel, open the lower control panel. *On how to open the lower control panel, see the figure on page 2-1.*



#### 1 Memory stick slot

Use this to update the firmware. You can also save or load setup menu settings onto the Memory Stick.

#### Note

After inserting a Memory Stick, allow at least five seconds to elapse before removing it.

*For details on firmware update and save or load setup menu settings, see Section 13-1 “Overview of Setup Utility Menu Functions” and refer to the Maintenance Manual Volume 1.*

#### 2 KEY INHIBIT switch

Moving this switch to the ON position disables the controls on the upper and lower control panels. You can specify which buttons and knobs are disabled in setup menu item 118.

#### 3 PANEL SELECT switch

In addition to the lower control panel, you can connect a similar control panel to this unit. When two control panels are connected to the unit, the PANEL SELECT switch is used to specify which panel be enabled to control the unit.

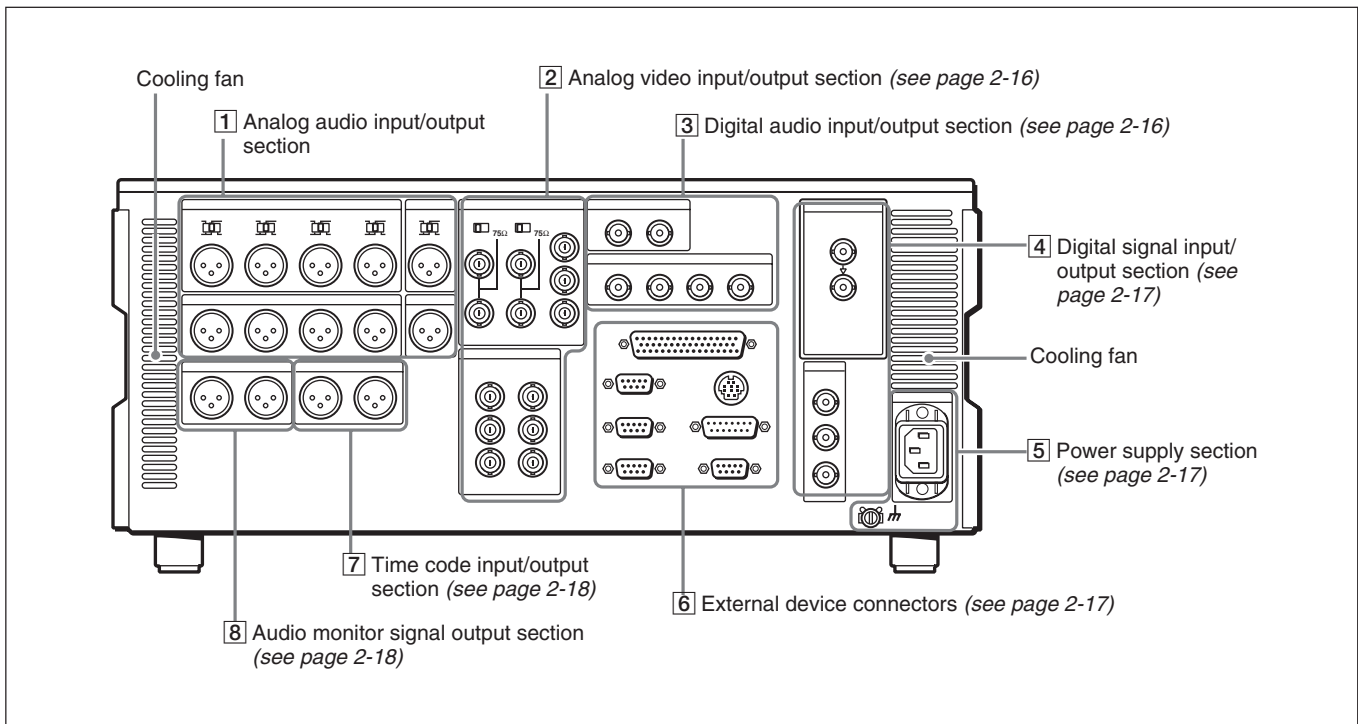
**FRONT:** Enables the control panel connected to the CONTROL PANEL connector on the switch panel.

**REAR:** Enables the control panel connected to the CONTROL PANEL connector on the connector panel. When setup menu item 117 is set to PARA, this switch position also enables the control panel connected to the CONTROL PANEL connector on the switch panel.

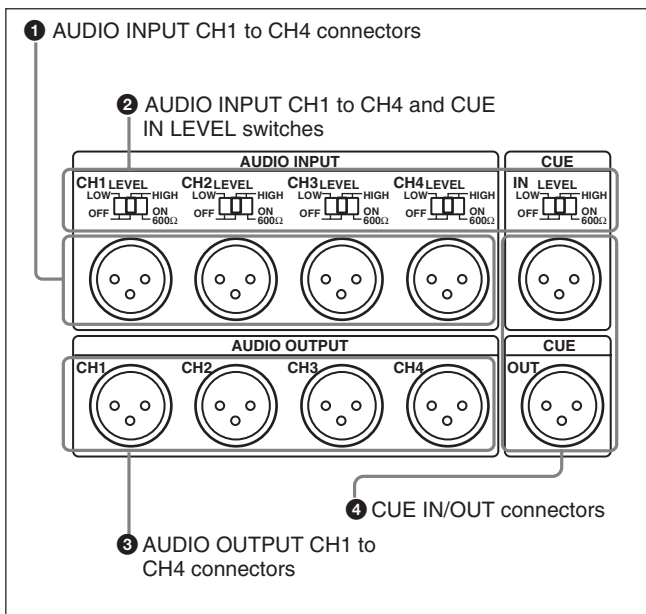
#### 4 CONTROL PANEL connector (10-pin, round type)

Plug in the lower control panel connection cable.

## 2-2 Connector Panel



### 1 Analog audio input/output section



#### 1 AUDIO INPUT CH1 to CH4 (channels 1 to 4) connectors (XLR 3-pin, female)

Input analog audio signals to channels 1 to 4. You can record analog audio signals input to these connectors to any audio track on the tape.

#### 2 AUDIO INPUT CH1 to CH4 (channels 1 to 4) and CUE IN LEVEL switches

Set these for each channel as shown in the following table, according to the audio/cue input level to the AUDIO INPUT CH1 to CH4 and CUE IN connectors and the impedance.

AUDIO INPUT CH1 to CH4 and CUE IN LEVEL switch settings

| Audio/cue input level and impedance |                                | Switch setting                 |
|-------------------------------------|--------------------------------|--------------------------------|
| Level                               | Impedance                      |                                |
| -60 dBu (microphone input)          | High impedance (approx. 20 kΩ) | LOW-OFF (left position)        |
| +4 dBu (line audio input)           | High impedance (approx. 20 kΩ) | HIGH-OFF (center position)     |
| +4 dBm (line audio input)           | 600 Ω                          | HIGH-ON 600 Ω (right position) |

#### 3 AUDIO OUTPUT CH1 to CH4 (channels 1 to 4) connectors (XLR 3-pin, male)

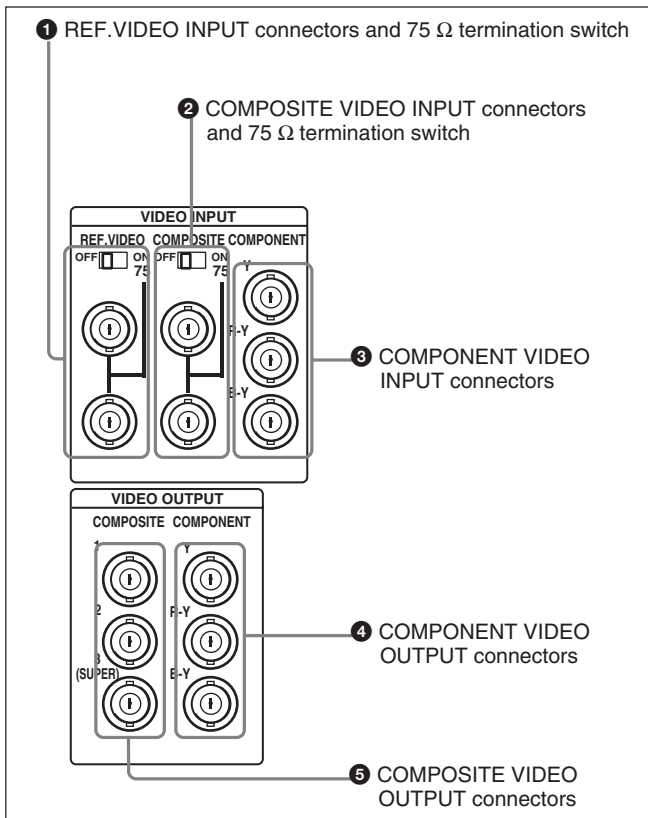
These connectors output analog audio signals for channels 1 to 4.

#### 4 CUE IN/OUT(cue audio input/output) connectors (XLR 3-pin, female/male)

The IN connector inputs and the OUT connector outputs the analog cue audio signals.

## 2-2 Connector Panel

### 2 Analog video input/output section



#### 1 REF. (reference) VIDEO INPUT connectors (BNC type) and 75 $\Omega$ termination switch

Input a reference video signal. Input a video signal with chroma burst (VBS) or a monochrome video signal (VS). When using the loop-through connection set the switch to the OFF position, and otherwise to the ON position.

#### 2 COMPOSITE VIDEO INPUT connectors (BNC type) and 75 $\Omega$ termination switch

Input analog composite video signals. When using the loop-through connection set the switch to the OFF position, and otherwise to the ON position.

#### 3 COMPONENT VIDEO INPUT connectors (BNC type)

Input analog component video signals (Y/R–Y/B–Y).

#### 4 COMPONENT VIDEO OUTPUT connectors (BNC type)

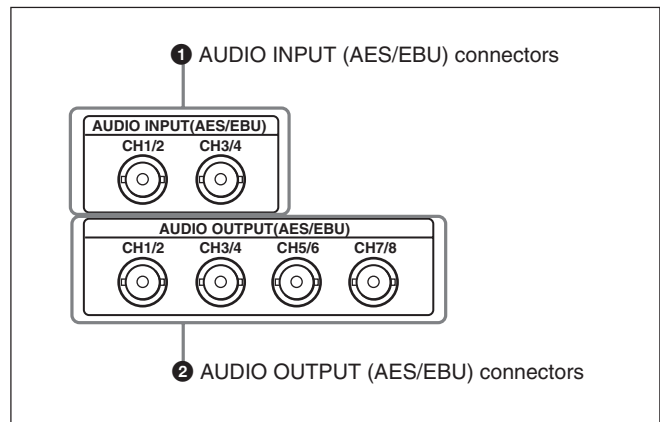
These connectors output analog component video signals (Y/R–Y/B–Y).

#### 5 COMPOSITE VIDEO OUTPUT connectors (BNC type)

These connectors output analog composite video signals.

When the setting of F4 (CHARA) in function menu page 4 is ON, connector 3 (SUPER) outputs a signal with superimposed time code, menu settings, alarm messages, and other text information.

### 3 Digital audio input/output section



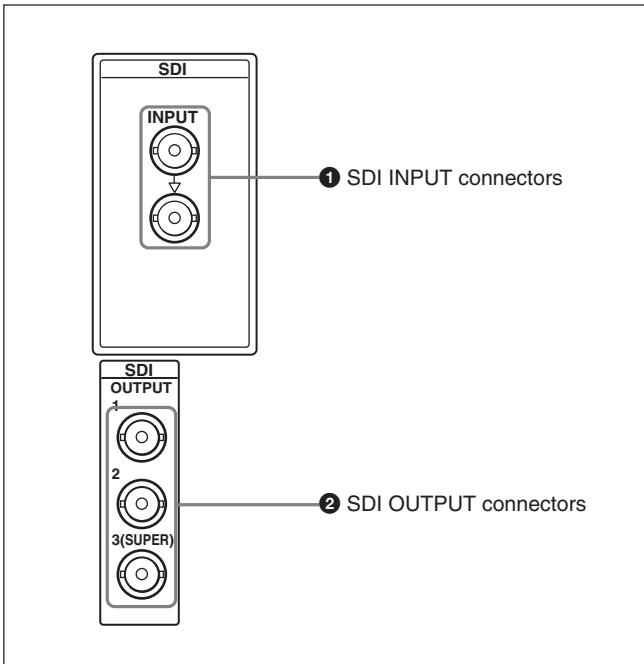
#### 1 AUDIO INPUT (AES/EBU) connectors (BNC type)

Input up to two sets (4 channels: channels 1/2 and 3/4) of AES/EBU format digital audio signals.

#### 2 AUDIO OUTPUT (AES/EBU) connectors (BNC type)

These connectors output up to four sets (8 channels: channels 1/2, 3/4, 5/6 and 7/8) of AES/EBU format digital audio signals. Note that if your unit is a DVW-2000/2000P, AES/EBU digital audio outputs are limited to two sets (4 channels: channels 1/2 and 3/4).

#### 4 Digital signal input/output section



##### 1 SDI (Serial Digital Interface) INPUT connectors (BNC type)

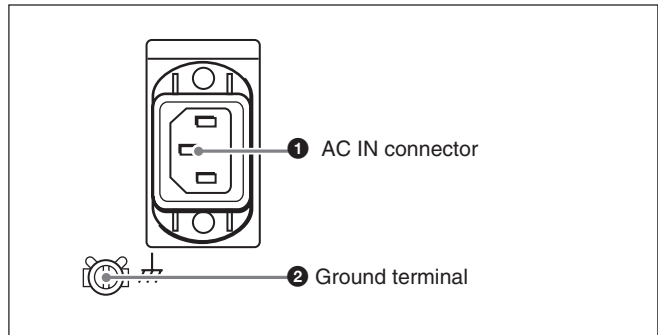
Input D1 format digital video/audio signals. Of the two connectors, the upper one is for input, and the lower one is for an active-through connection.

##### 2 SDI (Serial Digital Interface) OUTPUT connectors (BNC type)

These connectors output D1 format digital video/audio signals.

When the setting of F4 (CHARA) in function menu page 4 is ON, connector 3 (SUPER) outputs a signal with superimposed time code, menu settings, alarm messages, and other text information.

#### 5 Power supply section



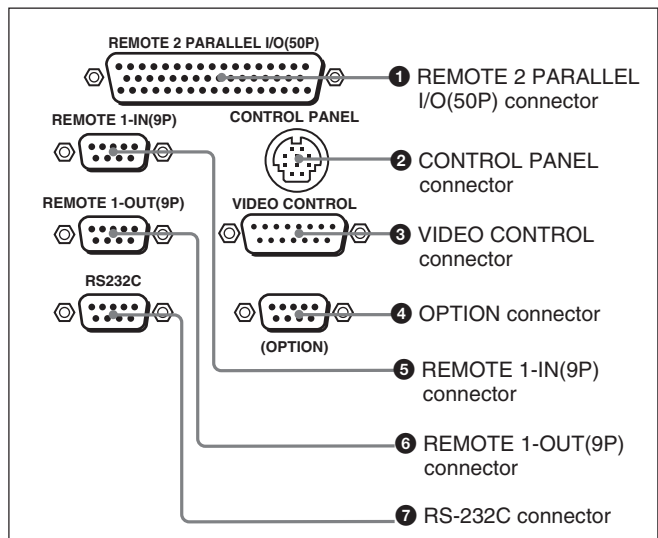
##### 1 AC IN connector

Use a power cord to connect this to an AC outlet.

##### 2 Ground terminal

Connect this to ground.

#### 6 External device connectors



##### 1 REMOTE 2 PARALLEL I/O(50P) connector (D-sub 50-pin)

Connect remote control signals from an external device.

*For details, refer to the Installation Manual.*

## 2-2 Connector Panel

### ② CONTROL PANEL connector (round type, 10-pin)

In addition to the lower control panel, a similar control panel can be connected to this unit. To connect such a second control panel, use this connector. When two control panels are connected, use the PANEL SELECT switch on the switch panel (see page 2-14) to specify which control panel will control this unit.

### ③ VIDEO CONTROL connector (D-sub 15-pin)

For remote control of the internal digital video processor, connect an optional BVR-50/50P Remote Control Unit.

Always power off this unit before connecting the remote control unit.

### ④ OPTION connector (D-sub 9-pin)

Not used.

### ⑤ REMOTE 1-IN(9P) connector (D-sub 9-pin)

When using this unit together with another DVW-M2000/M2000P/2000/2000P or an MPEG IMX, D-1, D-2, or Betacam VTR, and a BVE-series BVE-900/910/2000/9000/9000P/9100/9100P or other editor, connect the optional 9-pin remote control cable from the other unit to this connector.

Depending on the setting of setup menu item 211, you can use this connector alone, or in a loop-through configuration with the REMOTE 1-OUT(9P) connector.

### ⑥ REMOTE 1-OUT(9P) connector (D-sub 9-pin)

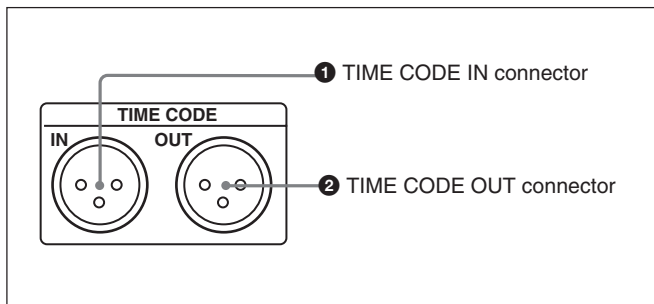
This provides the loop-through output for remote control signals from the REMOTE 1-IN(9P) connector.

Depending on the setting of setup menu item 211, you can use this connector alone, or in a loop-through configuration with the REMOTE 1-IN(9P) connector.

### ⑦ RS-232C connector (D-sub 9-pin)

Use this for monitoring and diagnosis of the state of this unit from an external computer, using ISR (Interactive Status Reporting).

### 7 Time code input/output section



#### ① TIME CODE IN connector (XLR 3-pin, female)

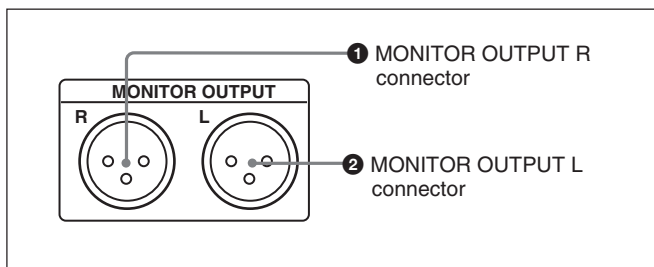
To record time code from an external device, input a time code signal from the time code output connector of the other device.

#### ② TIME CODE OUT connector (XLR 3-pin, male)

This outputs a time code according to the operating state of the unit, as follows:

- During playback: the playback time code  
By setting setup menu item 606, you can also output the time code from the internal time code generator locked to the playback time code.
- During recording: the time code generated by the internal time code generator or the time code input to the TIME CODE IN connector.

### 8 Audio monitor signal output section



#### ① MONITOR OUTPUT R connector (XLR 3-pin, male)

This outputs the audio signals whose output destination was set to 'R' with the audio signal selection buttons in the audio control section. If multiple tracks have been set to 'R', the signals of those tracks are mixed for output.

#### ② MONITOR OUTPUT L connector (XLR 3-pin, male)

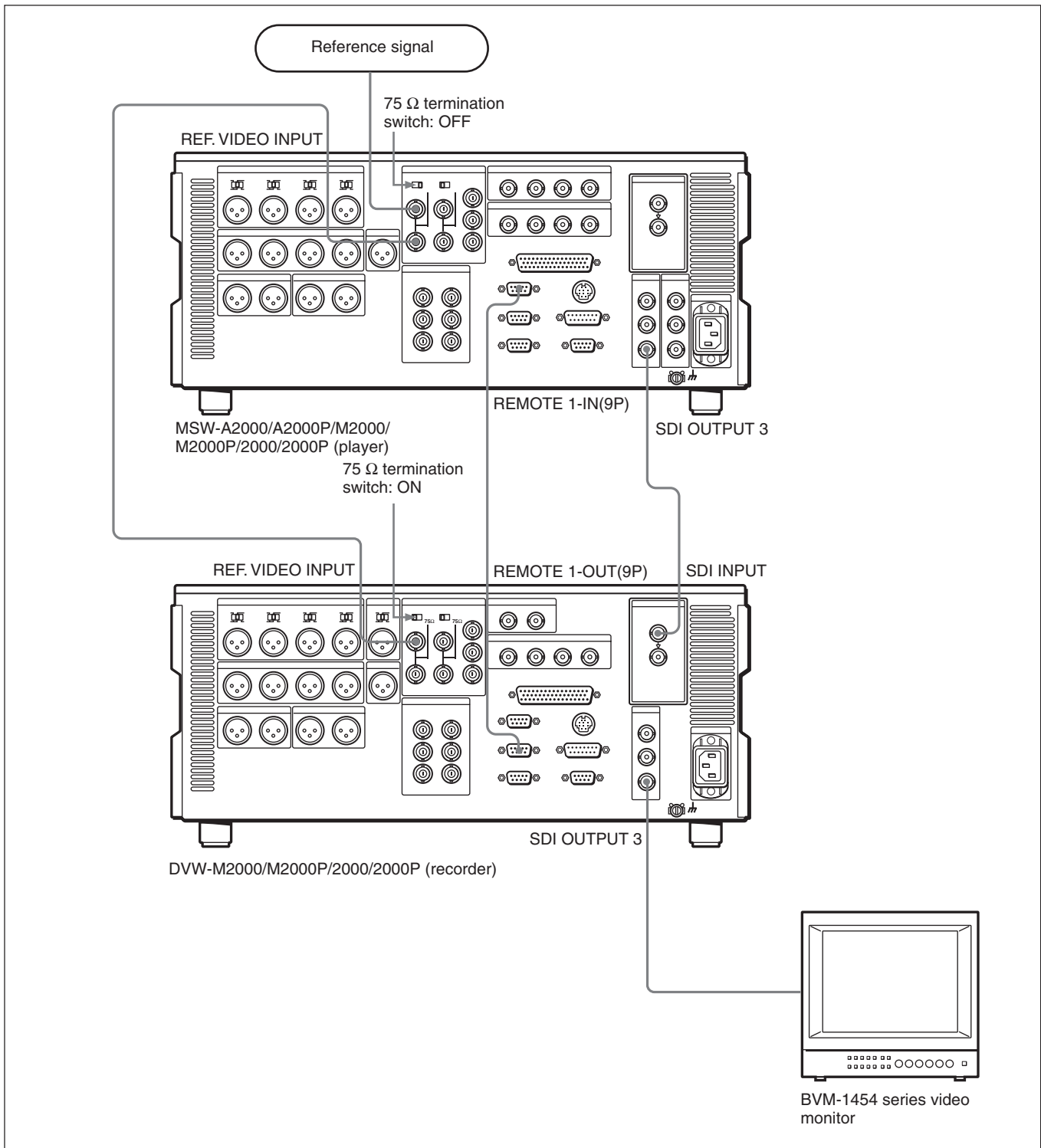
This outputs the audio signals whose output destination was set to 'L' with the audio signal selection buttons in the audio control section. If multiple tracks have been set to 'L', the signals of those tracks are mixed for output.

# 3-1 Connections to External Devices

## 3-1-1 Connections to Digital Devices

This unit can input serial digital signals (video and audio) from another digital VTR such as the MSW-A2000/A2000P/M2000/M2000P/2000/2000P and DVW-A500/A500P/500/500P. The following example

shows the connections with a MSW-A2000/A2000P/M2000/M2000P/2000/2000P unit as a player, with this unit used as recorder.

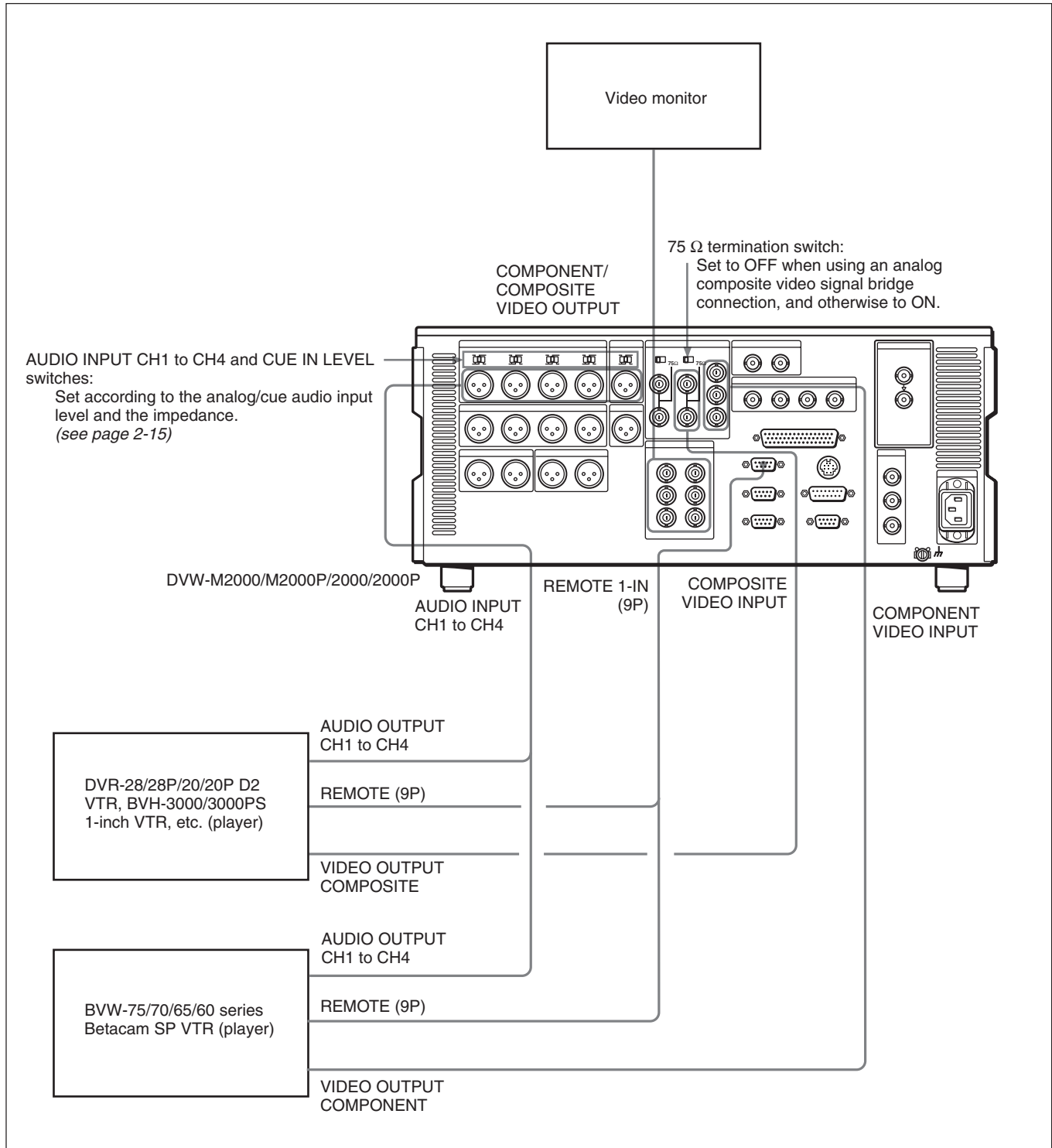


# 3-1 Connections to External Devices

## 3-1-2 Connections to Analog Devices

The following example shows the connections with an analog VTR (a Betacam SP VTR, D2 VTR, 1-inch VTR, etc.) for recording analog audio and video signals.

Chapter 3 Preparations



# 3-2 Reference Signals for Video Output and Servo System

This section describes how reference signals for the video output signals and servo system are selected.

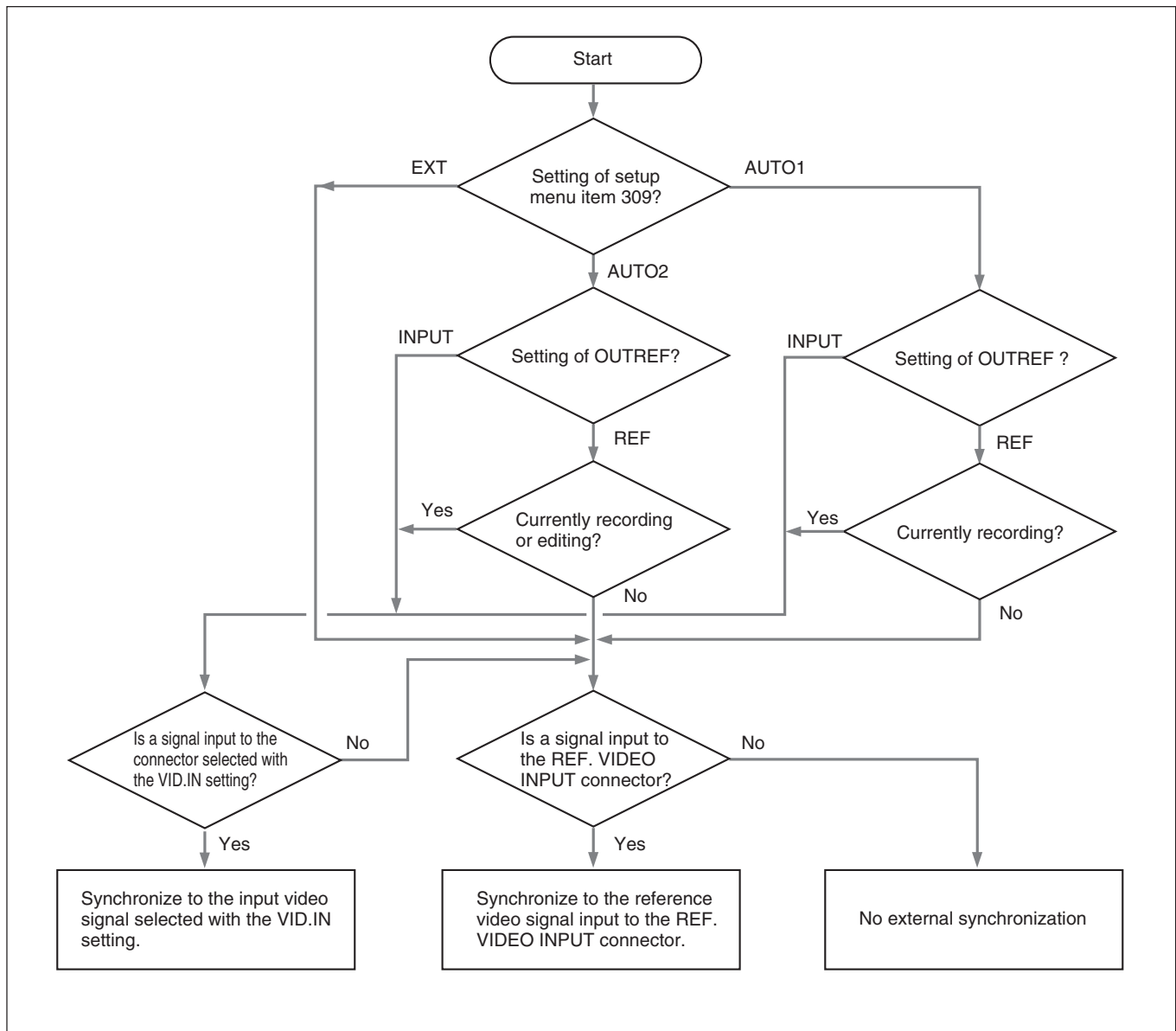
The output from the internal reference video signal generator is supplied to the output video signal and servo circuits as a reference signal.

## 3-2-1 External Sync Signal for the Internal Reference Video Signal Generator

The internal reference video signal generator is synchronized either to a reference video signal or to an input video signal. Depending on the settings of the function menu item OUTREF and setup menu item 309, and the input signal selection, the external

synchronization status is as shown in the following flowchart.

The video signals are output always synchronized to the internal reference video signal.



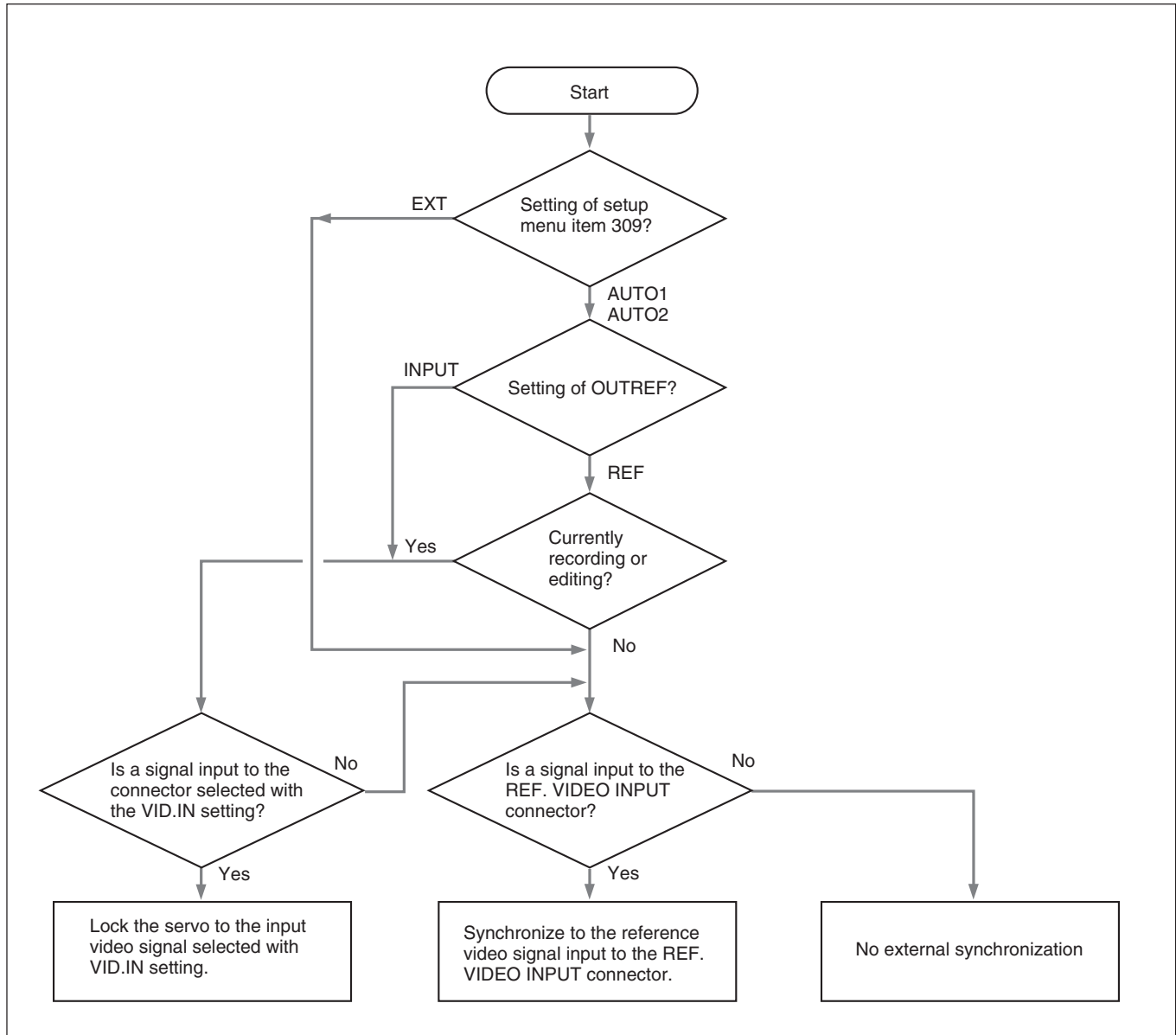


## 3-2 Reference Signals for Video Output and Servo System

### 3-2-2 Reference Signal for the Servo System

The VTR automatically selects either the input video signal or the output from the internal reference video signal generator as the reference signal for the servo

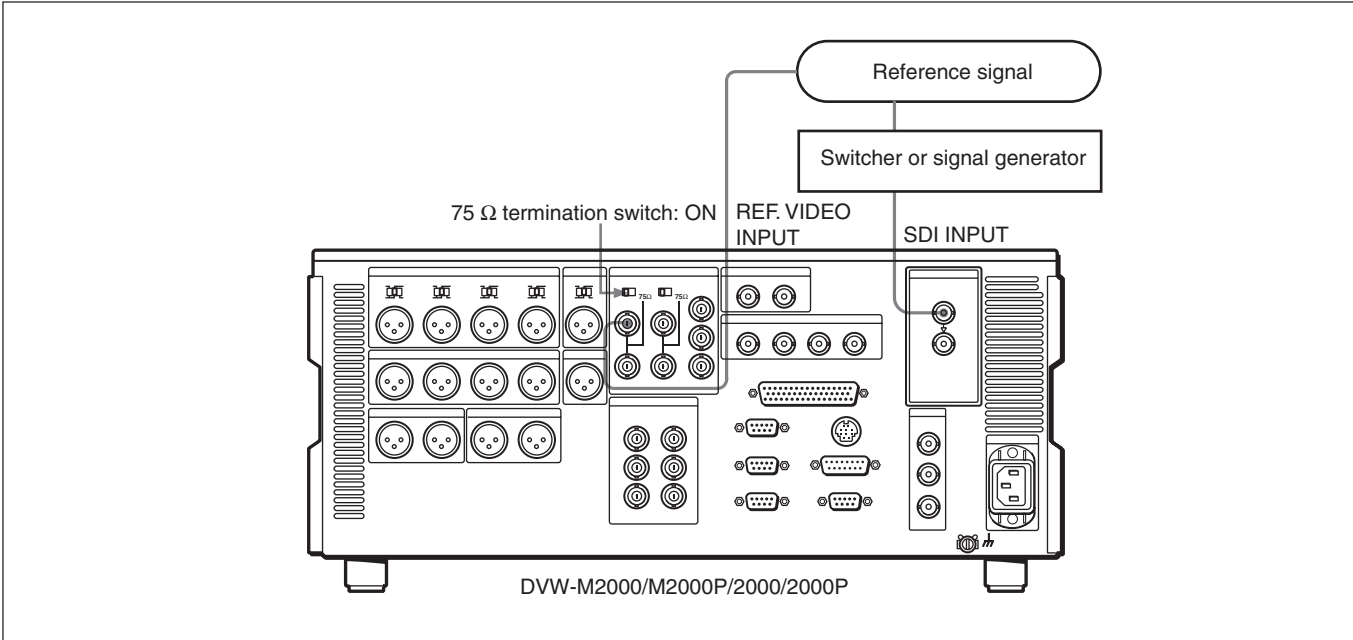
system. Which of the two signals is selected depends on the operational status of the VTR, as shown in the following flowchart.



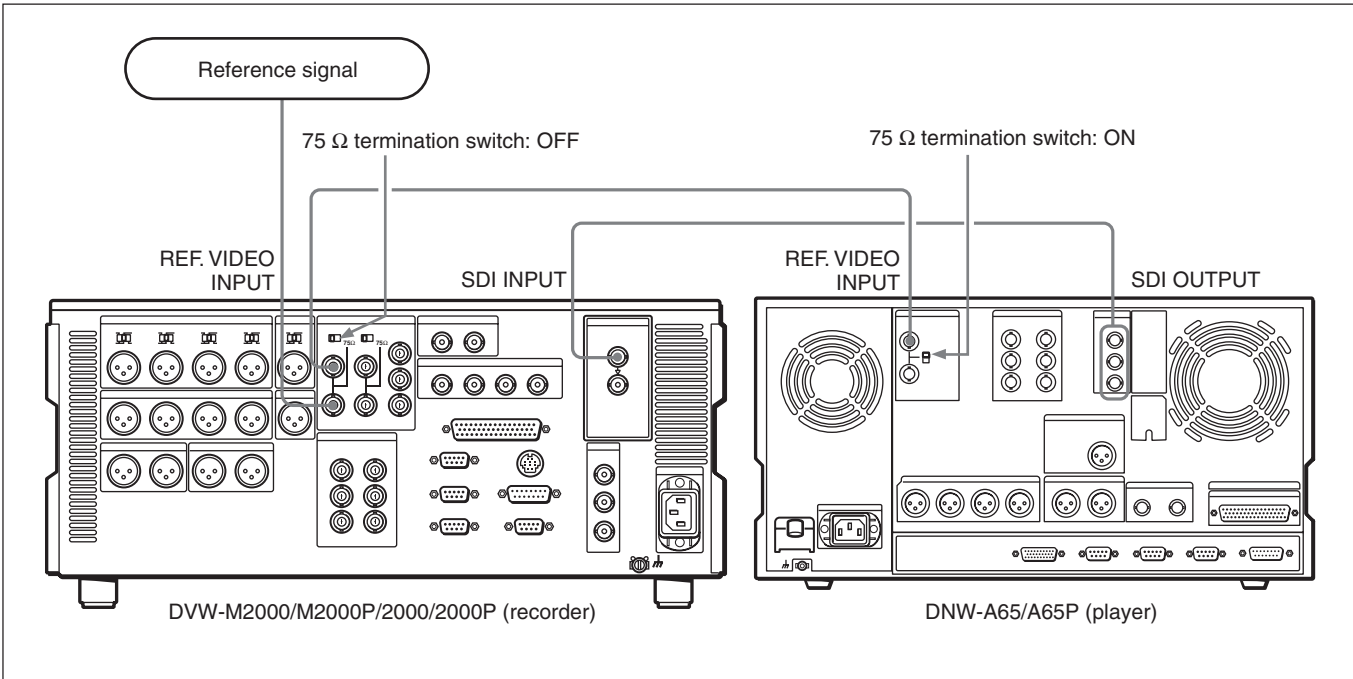
### 3-2-3 Connecting Reference Signals

Connect reference signals as shown below, according to the way in which the unit is to be used.

#### Connections for recording from a switcher or signal generator

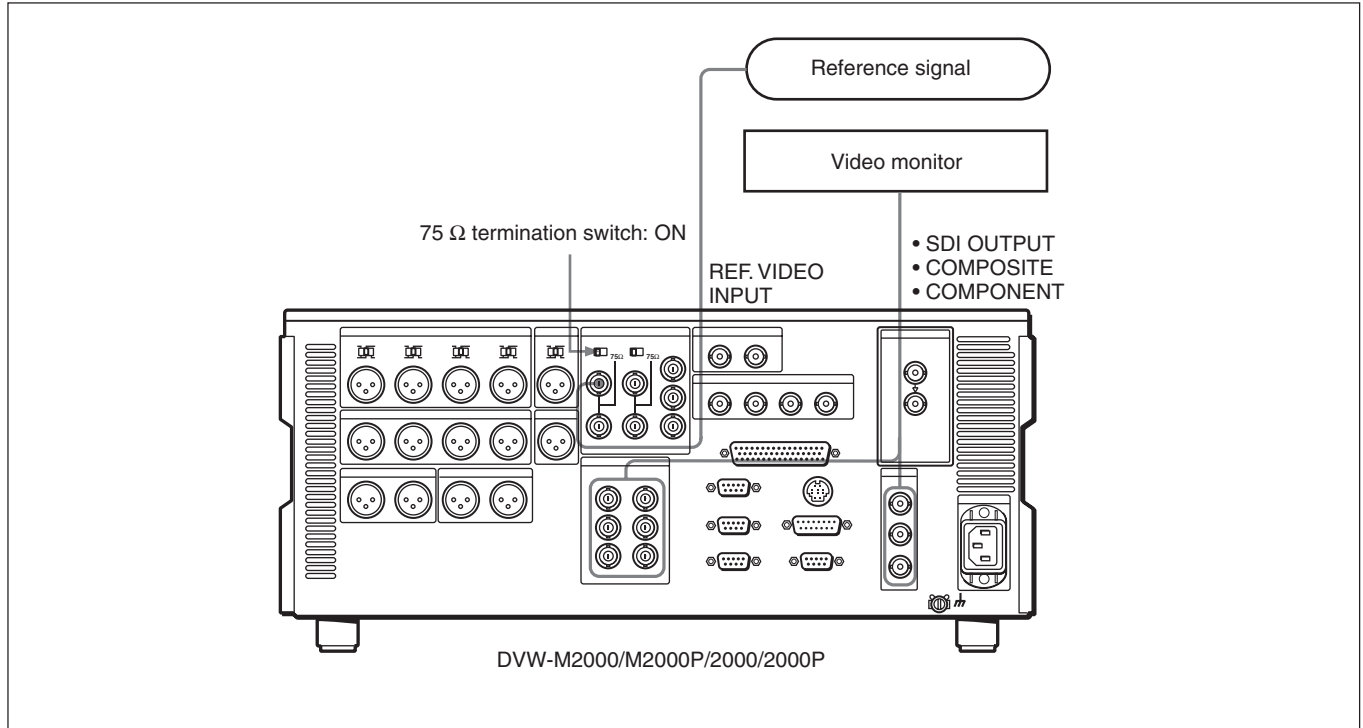


#### Connections for recording from an external VTR (player)



## 3-2 Reference Signals for Video Output and Servo System

### Connections for playback



## 3-3 Setup

The principal setup operations before operating this unit can be carried out using setup menus.

The setup menus of this unit comprise a basic setup menu and an extended setup menu. The contents of these menus are as follows.

### **Basic setup menu:**

- Items relating to the hours meter
- Items relating to operation
- Items relating to menu banks

### **Extended setup menu:**

- Items relating to control panels
- Items relating to the remote control interface
- Items relating to editing operations
- Items relating to preroll
- Items relating to tape protection
- Items relating to the time code generator
- Items relating to video control
- Items relating to audio control
- Items relating to digital processing

*For detailed information about the items, except for the basic setup menu items relating to the hours meter, of these menus and how to use them, see Chapter 12 “Setup Menus”. For detailed information about menu operations relating to the hours meter, see Section 14-5-1 “Digital Hours Meter”(page 14-5).*

This unit allows menu settings to be saved in what are termed “menu banks.” Saved sets of menu settings can be recalled for use as required.

*For more information about the menu banks, see the section “Menu bank operations (menu items B01 to B13)” (page 12-4) .*

# 3-4 Superimposed Character Information

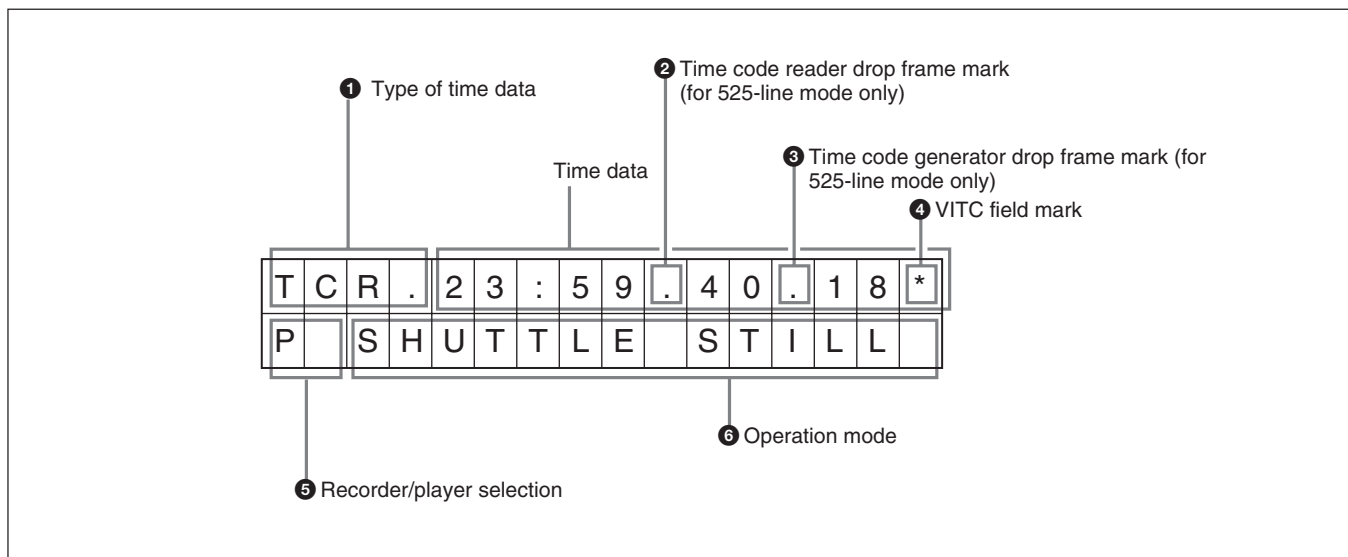
When the function menu item CHARA is set to ON, the video signal output from the COMPOSITE VIDEO OUTPUT 3 (SUPER) connector or the SDI OUTPUT 3 (SUPER) connector contains superimposed character information, including time code, menu settings, and alarm messages.

## Adjusting the character display

You can adjust the position, size and type of the superimposed characters using setup menu items 002, 003, 005, 009, and 011.

For details, see Section 12-3 “Items in the Basic Setup Menu” (page 12-5).

## Information displayed



### Note

The display shown above corresponds to the factory default settings of the unit. Changing the setting of setup menu item 005 allows different time data to be displayed in the lower line of the display.

For details, see Section 12-3 “Items in the Basic Setup Menu” (page 12-5).

### 1 Type of time data

| Display | Meaning   |
|---------|---|
| CTL     | CTL counter data  |
| TCR     | LTC reader time code  |
| UBR     | LTC reader user's bits  |
| TCR.    | VITC reader time code   |
| UBR.    | VITC reader user's bits   |
| TCG     | Time code generator time code   |
| UBG     | Time code generator user's bits   |
| IN      | IN point  |
| OUT     | OUT point   |
| AI      | Audio IN point  |
| AO      | Audio OUT point   |
| DUR     | Duration between any two of the four edit points (IN, OUT, audio IN, audio OUT) |

### Note

If the time data or user's bits cannot be read correctly, they will be displayed with an asterisk. For example, “T\*R”, “U\*R”, “T\*R.” or “U\*R.”.

## 2 Time code reader drop frame mark (for 525-line mode only)

- “.”: Indicates drop frame mode
- “:”: Indicates non-drop-frame mode

## 3 Time code generator drop frame mark (for 525-line mode only)

- “.”: Indicates drop frame mode (factory preset)
- “:”: Indicates non-drop-frame mode

## 4 VITC field mark

- “ ” (blank): Fields 1 and 3 (for 525/60 mode) or fields 1, 3, 5 and 7 (for 625/50 mode)
- “ \* ”: Fields 2 and 4 (for 525/60 mode) or fields 2, 4, 6 and 8 (for 625/50 mode)

## 5 Recorder/player selection

The indication changes as follows, according to the state of the RECORDER or PLAYER buttons on the control panel.

**No display:** Neither the RECORDER or PLAYER button is lit.

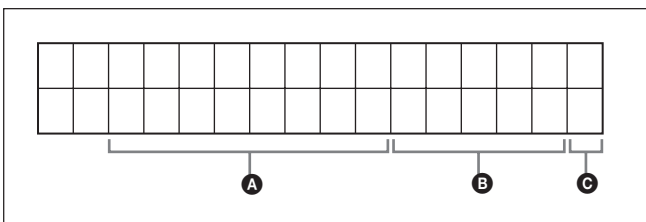
**P:** The PLAYER button is lit.

**R:** The RECORDER button is lit.

## 6 Operation mode

The field is divided into three blocks, A, B and C

- Block A displays the operation mode.
- Block B displays the servo lock status or tape speed.
- Block C displays a ■ mark to indicate an edit section during automatic editing, or the section between the IN and OUT points in auto feed playback.



| Display       |                                 | Operation mode   |
|---------------|---------------------------------|--|
| Block A       | Block B                         |  |
| TAPE UNTHREAD |                                 | Cassette is not loaded.  |
| STANDBY OFF   |                                 | Standby off mode   |
| T.RELEASE     |                                 | Tape tension released  |
| STOP          |                                 | Stop mode  |
| F.FWD         |                                 | Fast forward mode  |
| REW           |                                 | Rewind mode  |
| PREROLL       |                                 | Preroll mode   |
| PLAY          |                                 | Playback mode (servo unlocked)   |
| PLAY          | LOCK                            | Record mode (servo locked)   |
| PLAY          | Variation from normal speed (%) | Capstan override mode (see page 4-9)                                     |
| REC           |                                 | Record mode (servo unlocked)   |
| REC           | LOCK                            | Playback mode (servo locked)   |
| EDIT          |                                 | Edit mode (servo unlocked)   |
| EDIT          | LOCK                            | Edit mode (servo locked)   |
| JOG           | STILL                           | A still picture in jog mode  |
| JOG           | FWD                             | Jog mode in forward direction  |
| JOG           | REV                             | Jog mode in reverse direction  |
| SHUTTLE       | (Speed)                         | Shuttle mode   |
| VAR           | (Speed)                         | Variable speed mode  |
| AUTO EDIT     |                                 | Automatic editing mode   |
| PREVIEW       |                                 | Preview mode   |
| REVIEW        |                                 | Review mode  |
| DMC           | (Speed) <sup>a)</sup>           | DMC playback mode  |
| D-PREV        | (Speed) <sup>a)</sup>           | DMC editing preview mode   |
| D-EDIT        | (Speed) <sup>a)</sup>           | DMC editing mode   |
| DMC-SPD       | (Speed)                         | DMC initial speed setting  |
| PLY-SPD       | Variation from normal speed (%) | Tape speed override mode (when "TSO" is selected in setup menu item 111) |

a) Initial speed settings or stored speed settings

# 3-5 Cassettes

## 3-5-1 Cassette Types

This unit uses the following digital Betacam cassettes for both recording and playback.

Digital Betacam cassettes

|                 |                          |
|-----------------|--------------------------|
| Small cassettes | BCT-D6/D12/D22/D32/D40   |
| Large cassettes | BCT-D34L/D64L/D94L/D124L |

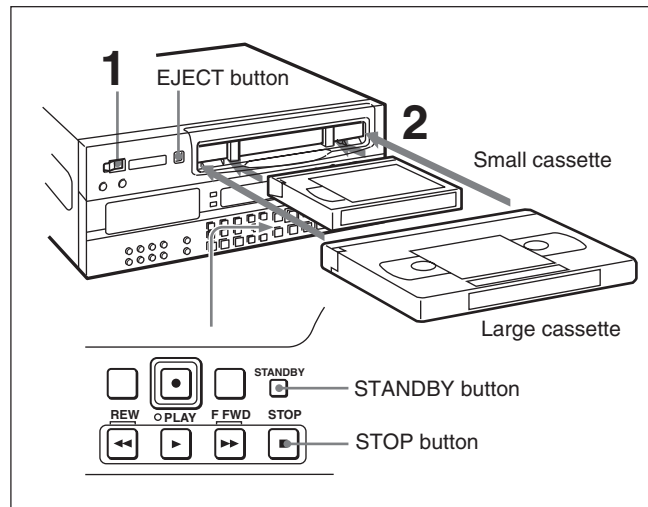
The following tapes can be used for playback (on DVW-M2000/M2000P).

- MPEG IMX cassettes
- Betacam SX cassettes
- Betacam SP cassettes (metal tape)
- Betacam cassettes (oxide tape)

## 3-5-2 Inserting and Ejecting Cassettes

It is not possible to insert or eject a cassette unless the unit is powered on.

### Inserting a cassette



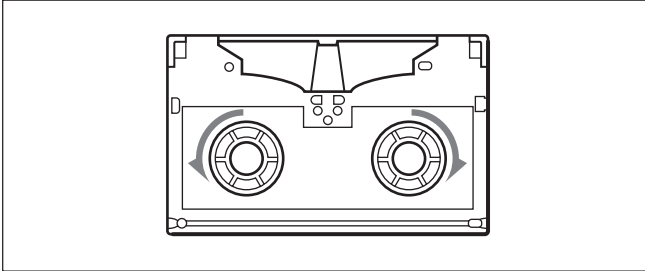
- 1** Turn the POWER switch on.
- 2** Check the following points, then insert the cassette in the orientation shown in the figure.
  - Check that message “ERR-10” is not shown in the time data/menu display section.
  - Check that there is no slack in the tape.

The cassette is drawn into the unit, and the STANDBY and STOP buttons light.

*If message “ERR-10” appears in the time data/menu display section, there is moisture condensation in the unit (see page 14-4).*

### Removing slack from the tape

Press in one of the reels with a finger, and turn gently in the direction shown by the arrows until there is no slack in the tape.



### Ejecting a cassette

Press the EJECT button.

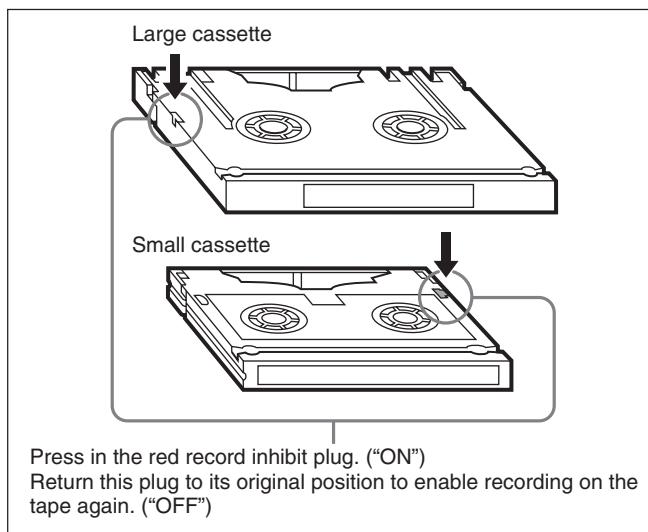
#### Note

Ejecting is a local operation. It is not possible to eject a cassette in another unit by remote control.

*If the tape slacks inside the unit, pressing the EJECT button may not eject the cassette. For information about how to remove the cassette in such a case, refer to Section 1-17 in the Installation Manual.*

## 3-5-3 Preventing Accidental Erasure of Recordings

To prevent a tape from being inadvertently erased, press in the red record inhibit plug on the cassette.



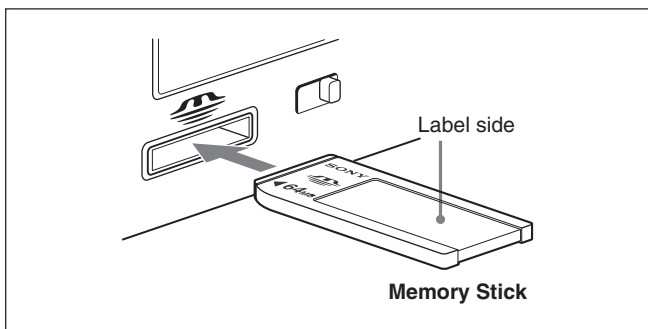


## 3-6 Using a Memory Stick

When a **Memory Stick** (option) is inserted in the VTR, the file data can be stored on the **Memory Stick**, which enables you to share data among VTRs.

### Inserting a Memory Stick

Insert a **Memory Stick** with the label side up into the **Memory Stick** slot until it clicks and the access lamp lights in red.



#### Note

Never insert/remove a **Memory Stick** during access to data.

#### To remove a Memory Stick

If you push the inserted **Memory Stick**, the **Memory Stick** will pop out a little. Then pull the **Memory Stick** out.

### 3-6-1 Notes on Memory Stick

#### On Memory Stick

**Memory Stick** is a new compact, portable and versatile IC recording medium with a data capacity that exceeds that of a floppy disk. **Memory Stick** is specially designed for exchanging and sharing digital data among **Memory Stick** compatible products. Because it is removable, **Memory Stick** can also be used for external data storage.

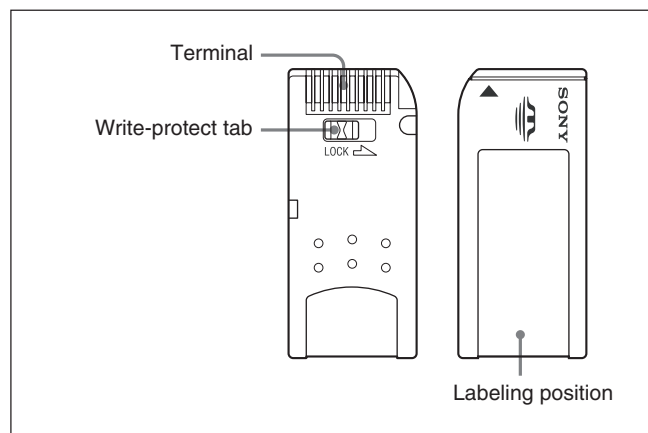
#### Types of Memory Stick

There are two types of **Memory Stick**: MagicGate **Memory Stick** that are equipped with the MagicGate copyright protection technology and general **Memory Stick**. Use the general type of **Memory Stick** (8MF, 16MF, 32MF, 64MF, 128MB) with this unit.

#### On MagicGate

MagicGate is copyright-protection technology that uses encryption technology.

#### Before using a Memory Stick



- You cannot record or erase data when the write-protect tab on the **Memory Stick** is set to LOCK.
- We recommend backing up important data.
- Image data may be damaged in the following cases:
  - If you remove the **Memory Stick**, or turn the power off when the access lamp is lit or flashing
  - If you use a **Memory Stick** near static electricity or a magnetic field

**Notes**



- Prevent metallic objects or your finger from coming into contact with the terminal of the connecting section.
- Do not attach any material other than the supplied label to the label space.
- Attach the label at the prescribed labeling position. Make sure the label is attached at the labeling position properly.
- Do not bend, drop, or apply strong shock to a **Memory Stick**.
- Do not disassemble or modify a **Memory Stick**.
- Do not let the **Memory Stick** get wet.
- Do not use or keep a **Memory Stick** in locations that are:
  - Extremely hot such as in a car parked in the sun
  - Under direct sunlight
  - Very humid or subject to corrosive gases
- When you carry or store a **Memory Stick**, keep it in its case.

---

**During access to data**

While data are being read from or written to the **Memory Stick**, do not shake this unit or subject it to shock. Do not turn off the power of the unit or remove the **Memory Stick**. This may damage the data.

*For details, refer to the Maintenance Manual.*

- |   |
|---|
| <ul style="list-style-type: none"><li>• <b>Memory Stick</b> and  are the trademarks of Sony Corporation.</li><li>• <b>MagicGate Memory Stick</b> and  are the trademarks of Sony Corporation.</li></ul> |
|---|

# 4-1 Recording

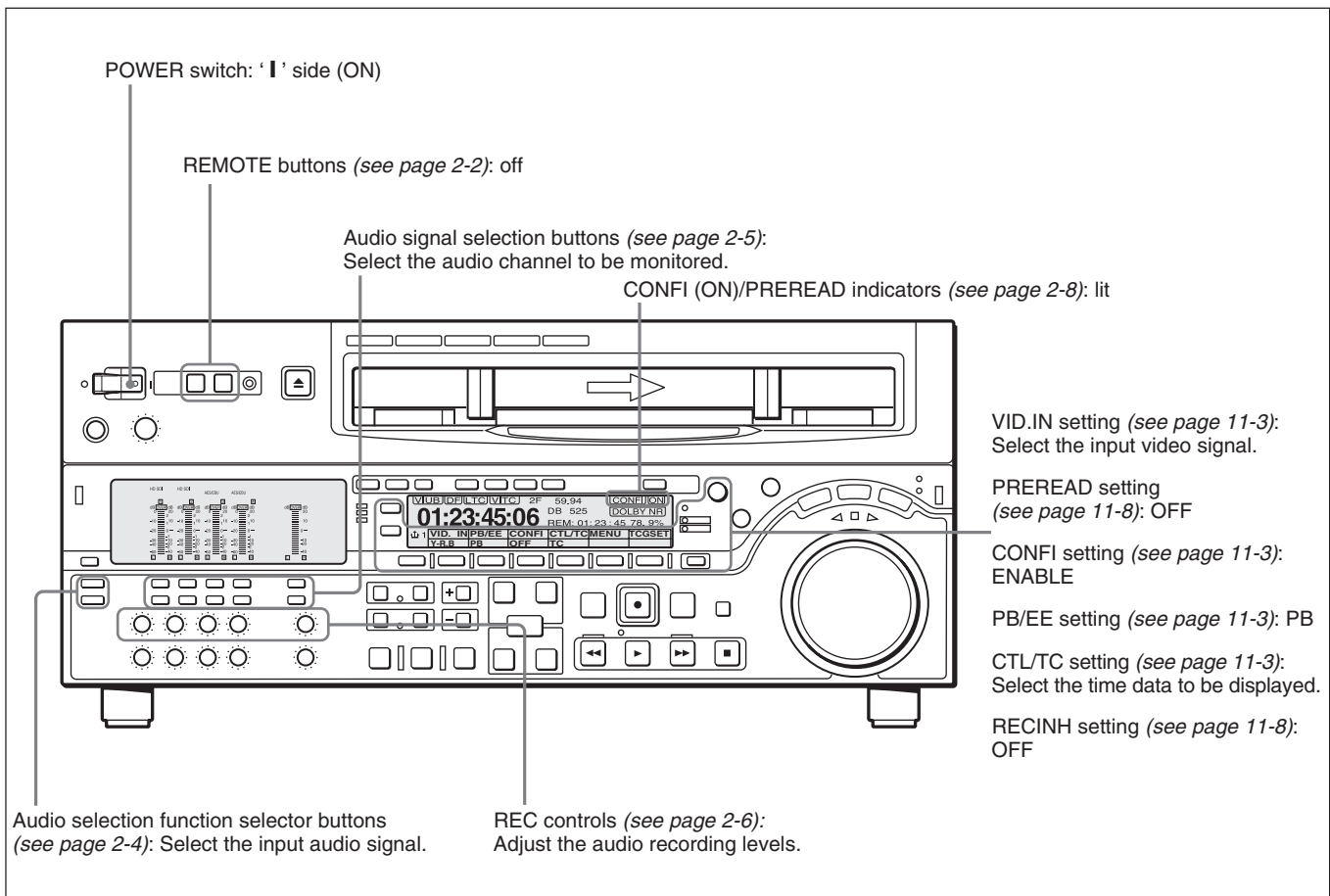
This section describes video and audio recording on the unit.

## 4-1-1 Preparations for Recording

### Switch and menu settings

For details on each setting, see the pages indicated in parenthesis.

Before beginning recording, make necessary switch and menu settings.



## 4-1 Recording

---

### Adjusting the audio recording levels

#### When carrying out audio recording at a reference level

Leave the REC controls pressed in. The audio signals will be recorded at a preset reference level (a reference 0 dB indication for an input of +4 dBm).

#### Manually adjusting the recording levels

For each channel, press to protrude the REC control in the upper control panel, and adjust so that the audio level indication is 0 dB for an average volume. Carry out the adjustment in E-E mode.

*For details of selecting the E-E mode, see the description of the REC button in the tape transport control section (page 2-10) and the PB/EE setting in function menu HOME page (page 11-3).*

---

### To change the display range of the audio level indications

Press the DISPLAY FULL/FINE button (*see page 2-4*).

---

### To monitor the simultaneous playback of the recorded video and audio signals

Set the CONF1 to ENABLE (*see page 11-3*) to light the CONF1 indicator. It is now possible to simultaneously monitor the video and audio signals being recorded.

---

### To use the emphasis function

To add emphasis to the analog input audio signal or analog playback audio signal, set the EMPHSS to ON (*see page 11-6*).

When the signal to which emphasis has been applied is played back, it is automatically subjected to deemphasis processing.

Using the emphasis-deemphasis processing enables the dynamic range to be improved by reducing high-frequency noise.

### 4-1-2 Recording Time Code and User Bit Values

There are three ways of recording time code, as follows:

- Setting an initial value, then recording the output of the internal time code generator
- Recording the output of the internal time code generator synchronized to an external time code generator
- Recording the output of an external time code without modification

---

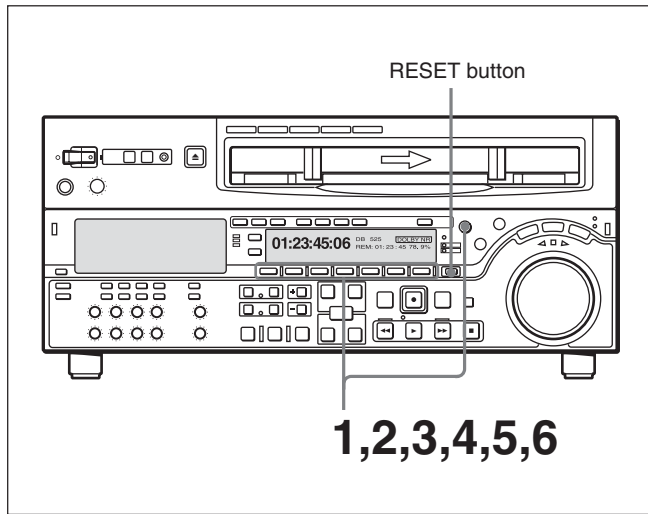
### To set an initial value then record the time code

If necessary, change the settings in function menu page 1 (*see page 11-4*).

Set the TCG (F1) to INT, and the TCG (F2) to PRESET.

## Setting an initial time code value

Use the following procedure.



- 1** Set the CTL/TC to TC.
  - 2** Press the F6 (TCGSET) button.
- The function menu display changes as follows.

|     |                   |   |   |   |     |      |
|-----|-------------------|---|---|---|-----|------|
| TCG | 00 : 00 : 00 : 00 |   |   |   |     |      |
| SET | ←                 | → | + | - | SET | EXIT |

The first digit of the time code value (8 digits: hours, minutes, seconds, and frames) flashes.

### To set all digits to zero

Press the RESET button.

- 3** Press the F1 (←) or F2 (→) button to select the digit to be changed.
- Pressing the F2 (→) button moves the flashing digit position to the right, and pressing the F1 (←) button moves the flashing digit position to the left.
- 4** Turn the MULTI CONTROL knob or press the F3 (+)/F4 (-) button to change the value in the flashing digit position.
  - 5** Until all the digits are set as required, repeat steps **3** and **4**.
  - 6** Press the F5 (SET) button.

When the RUN is set to FREE in function menu page 1, the time code value immediately starts advancing.

## Setting the time code value to the real time

With the settings in function menu page 1 set as follows, carry out the procedure under the heading above, “Setting an initial time code value”. In steps **3** and **4**, set the value slightly after the current time, then carry out step **6** at the instant the real time catches up with the setting.

**TCG (F1):** INT  
**TCG (F2):** PRESET  
**RUN:** FREE  
**DF:** DF (525/60 mode only)

## Setting a user bit value

The user bit values recorded on the time code track provide for eight hexadecimal digits, which can be used to hold the date, time, or other information. Use the following procedure.

- 1** Set the CTL/TC to UB.
- 2** Carry out the procedure in steps **2** to **6** under the heading above, “Setting an initial time code value”.  
You can set each digit to any hexadecimal value, represented by 0 to 9, and A to F.

### Note

If any of the settings (to write a recording start mark) in item G03 of the shot mark operation menu are set to ON, then for 20 frames from each recording, assemble editing, or insert editing start, the user bits are overwritten with the shot mark data.

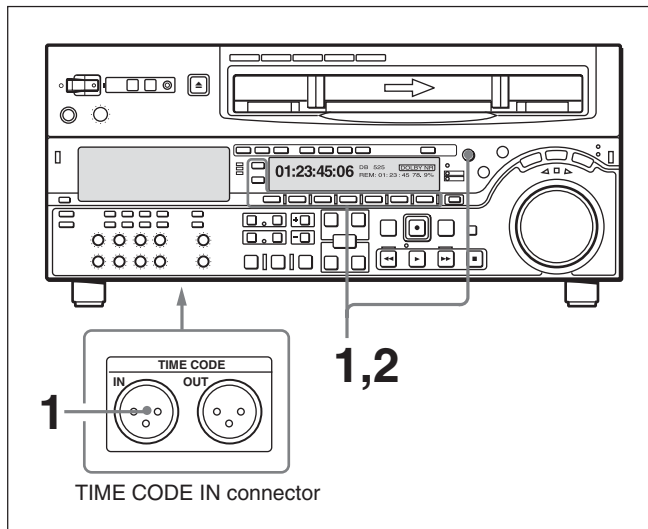
## 4-1 Recording

### To synchronize the internal time code generator to an external signal

Use this method to synchronize the time code generators of a number of VTRs, or to record the playback time code signal from an external VTR without deterioration of the signal waveform. In this case the RUN and DF settings are ignored. You can synchronize the internal time code generator to either of the following external time codes.

- The time code output (LTC) of an external time code generator or external VTR connected to the TIME CODE IN connector of the unit
- The time code (VITC) present in a video signal input to the unit
- The time code (SMPTE RP188) present in an SDI signal input to the unit

To synchronize the internal time code generator to an external signal, use the following procedure.



- 1** • When synchronizing to an external time code output (LTC):  
Connect the time code output of the external time code generator or external VTR to the TIME CODE IN connector.
- When synchronizing to the time code (VITC) in an input video signal:  
With the VID.IN in function menu HOME page, select an input video signal containing VITC.
- When synchronizing to the time code (SMPTE RP188) in an SDI signal:  
With the VID.IN in function menu HOME page, select SDI.

- 2** Perform the following settings in function menu page 1.
  - When synchronizing to an external time code output (LTC) or the time code (VITC) in an input video signal:  
**TCG (F1):** EXT  
**TCG (F2):** REGEN  
**VITC:** ON (when recording VITC)  
**TCR:** LTC or VITC according as you are synchronizing to LTC or VITC (If set to AUTO, LTC is used.)
  - When synchronizing to the time code (SMPTE RP188) in an SDI signal:  
**TCG (F1):** RP188  
**TCG (F2), VITC, TCR:** Any setting

#### Note

When the TCG (F1) is set to RP188, when settings of the TCG (F1) and VID.IN conflict with each other, or when the input signal selected with the VID.IN is not present, the TCG (F1) setting display flashes.

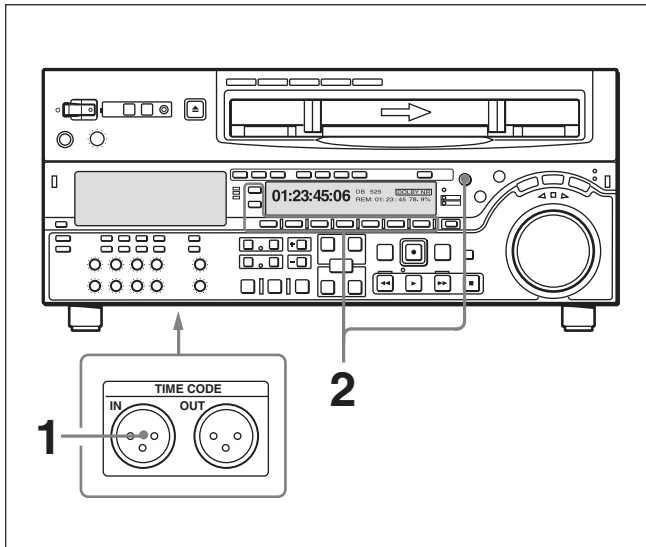
This starts the internal time code generator running in synchronization with the external time code generator.

Once the internal time code generator is synchronized with the external time code generator, even if the external time code generator connection is removed, the internal time code generator continues to run.

## To record an external time code without modification

Using this method has no effect on the running of the internal time code generator.

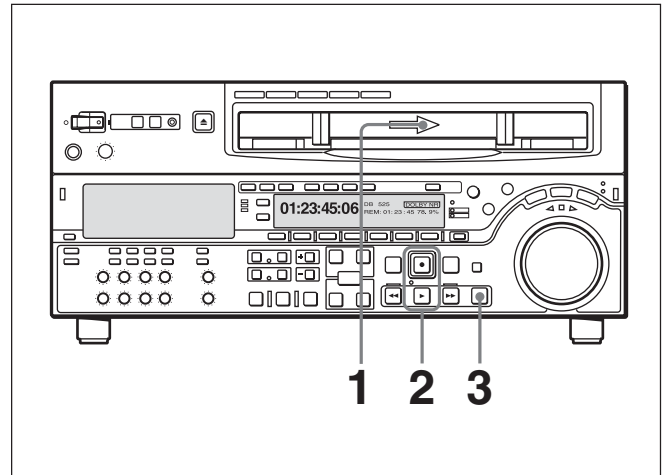
To record the playback time code from an external VTR, the method under the heading above, “To synchronize the internal time code generator to an external signal”, is recommended.



- 1** Connect the time code output of the external time code generator to the TIME CODE IN connector.
- 2** Perform the following settings in function menu page 1:  
**TCG (F1): EXT**  
**TCG (F2): PRESET**

## 4-1-3 Recording Procedure

To record, use the following procedure.



- 1** Insert a cassette.

*For details, see the section “Inserting a cassette” (page 3-10).*

- 2** Hold down the REC button, and press the PLAY button.

Recording starts, the servo locks, and the SERVO indicator lights.

- 3** To stop recording, press the STOP button.

### If you record to the end of the tape

The tape is automatically rewound, and stops.

*It is possible to disable the automatic rewind function by changing the setting of setup menu item 125.*

# 4-2 Playback

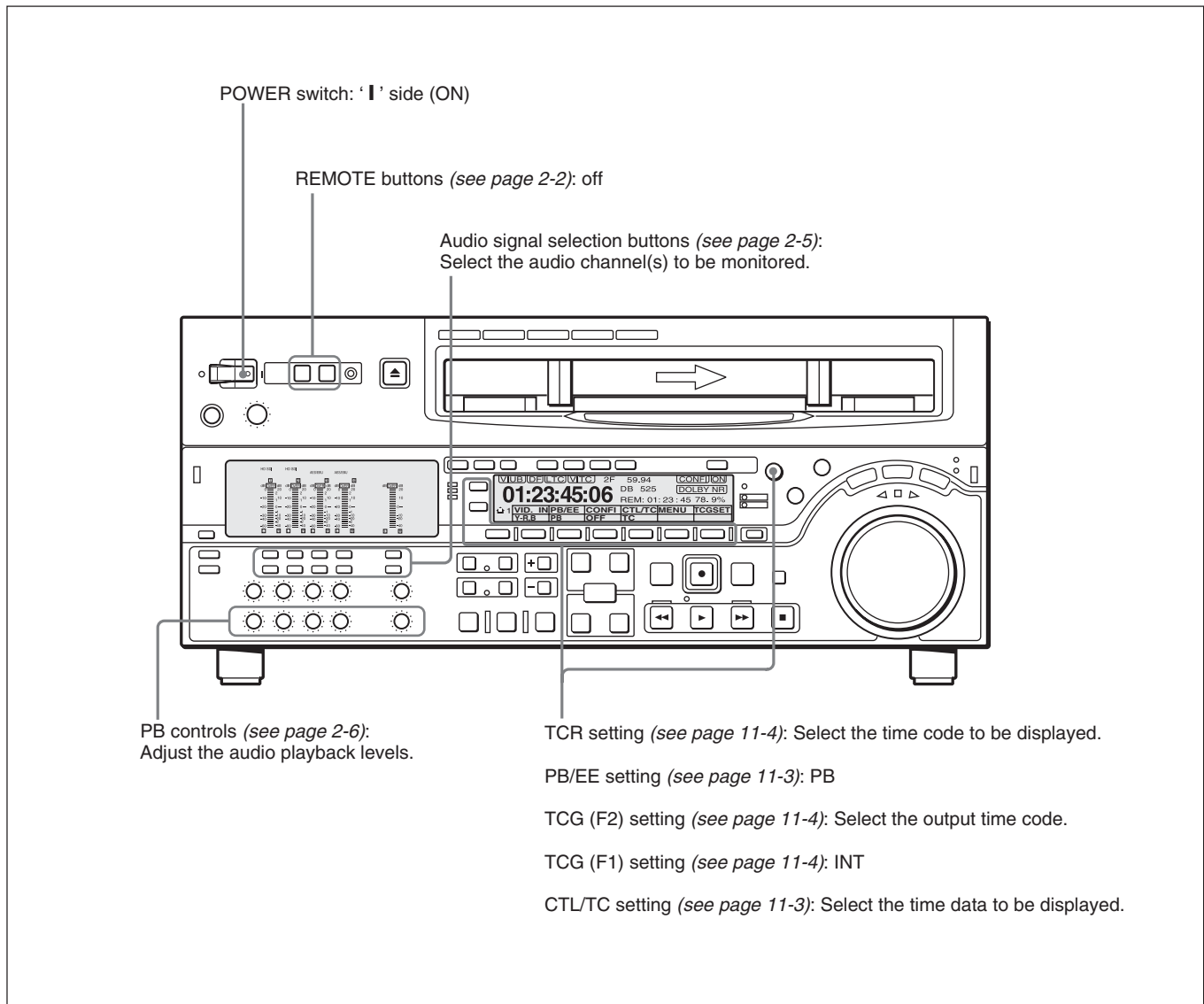
This section describes playback of video and audio.

## 4-2-1 Preparations for Playback

### Switch and menu settings

For details on each setting, see the pages indicated in parenthesis.

Before beginning playback, make necessary switch and menu settings.





## Time data selection

### Displayed time data

Use the CTL/TC setting in function menu HOME page to select one of CTL (control), time code, and user bit values. When you select time code, the data displayed is determined by the TCR setting (LTC/AUTO/VITC) in function menu page 1 as follows.

| TCR setting | Displayed data                       |
|-------------|--------------------------------------|
| LTC         | LTC recorded on tape                 |
| AUTO        | LTC or VITC (automatically switched) |
| VITC        | VITC recorded on tape                |

### Output time code

The TCG (F2) setting and setup menu item 606 determine whether the time code output from the TIME CODE OUT connector is the time code generated by the internal time code generator (REGEN), or the playback time code (PRESET).

For details of the TCG (F2) settings, see page 11-4.

## 4-2-2 Playback Procedures

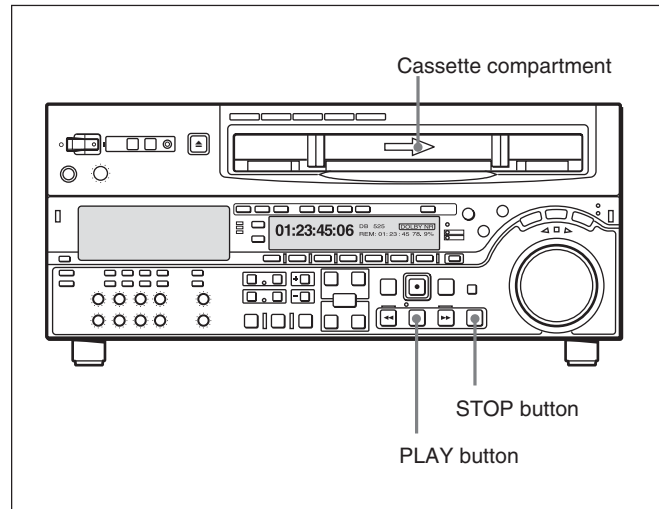
This section describes the following types of playback which the unit can carry out:

- Normal playback  
Playback at normal ( $\times 1$ ) speed
- Playback in jog mode  
Variable speed playback, with the speed determined by the speed of turning the search dial
- Playback in shuttle mode  
Variable speed playback, with the speed determined by the angular position of the search dial
- Playback in variable speed mode  
Variable speed playback, with the speed finely determined by the angular position of the search dial
- Playback using the capstan override function  
The playback speed is adjusted temporarily according to the angular position of the search dial, to align the playback phase with that of another VTR.
- DMC Playback  
Playback carried out at memorized varying speed.

## Normal playback

First insert a cassette.

For details of how to insert a cassette, see Section 3-5-2 “Inserting and Ejecting Cassettes” (page 3-10).



### To start playback

Press the PLAY button.

Playback starts, the servo locks, and the SERVO indicator lights.

### To stop playback

Press the STOP button.

### If you play back to the end of the tape

The tape is automatically rewound, and stops.

*It is possible to disable the automatic rewind function by changing the setting of setup menu item 125.*

### When using the Dolby noise reduction system

When using an analog Betacam cassette, you can use Dolby C noise reduction for audio playback. To activate the Dolby noise reduction system, set the DOLBY of function menu page 4 to NR ON (see page 11-7).

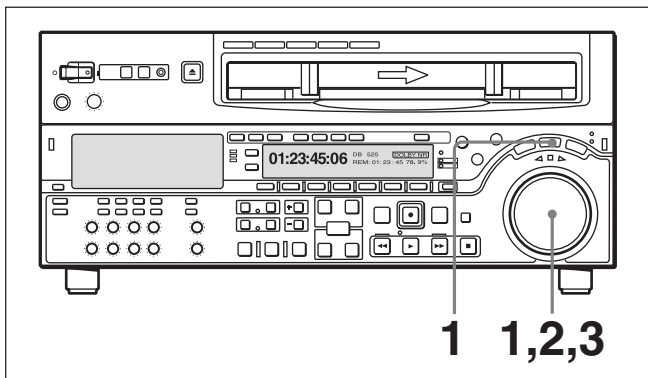
## 4-2 Playback

### Playback in jog mode

In jog mode, you can control the speed of playback by the speed of turning the search dial. The playback speed range is  $\pm 1$  times normal speed.

*The playback speed range can be  $\pm 3$  times normal speed by changing the setting of setup menu item 116.*

To carry out playback in jog mode, use the following procedure.



- 1 Press the JOG button or search dial so that the JOG button is lit.

Pressing the search dial toggles between jog mode and shuttle mode.

- 2 Turn the search dial in the desired direction, at the speed corresponding to the desired playback speed.

Playback in jog mode starts.

- 3 To stop playback in jog mode, stop turning the search dial.

*The function to toggle between jog mode and shuttle mode each time the search dial is pressed can be disabled by changing the setting of setup menu item 101.*

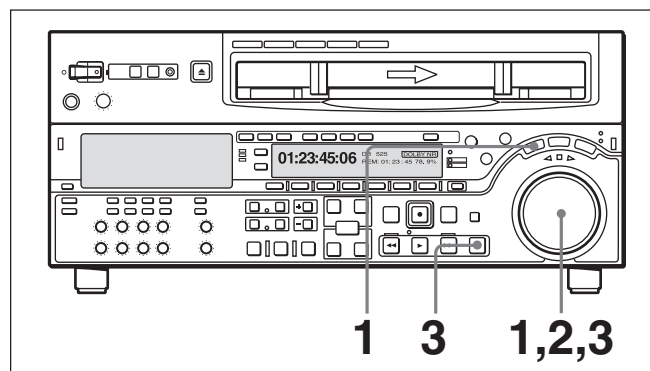
### Playback in shuttle mode

In shuttle mode, you can control the speed of playback by the angular position of the search dial. The range of playback speed is as follows:

- Using a Digital Betacam tape:  $\pm 50$  times
- Using an MPEG IMX tape:  $\pm 78$  times
- Using a Betacam SX tape:  $\pm 78$  times
- Using an analog Betacam tape:  $\pm 35$  times (for 525/60 mode) or  $\pm 42$  times (for 625/50 mode)

There are detents on the search dial at the still position and at  $\pm 5$  times normal speed.

To carry out playback in shuttle mode, use the following procedure.



- 1 Press the SHUTTLE button or search dial so that the SHUTTLE button is lit.

Pressing the search dial toggles between jog mode and shuttle mode.

- 2 Turn the search dial to the desired angle corresponding to the desired playback speed.

Playback in shuttle mode starts.

- 3 To stop playback in shuttle mode, return the search dial to the center position, or press the STOP button.

*The function to toggle between jog mode and shuttle mode each time the search dial is pressed can be disabled by changing the setting of setup menu item 101.*

### To return to normal-speed playback

Press the PLAY button.

### To alternate between normal-speed playback and shuttle mode playback

Set the search dial to the position corresponding to the desired shuttle playback speed, then switch between normal-speed playback and shuttle playback by pressing the PLAY and SHUTTLE buttons alternately. For intermittent shuttle mode playback, press the STOP and SHUTTLE buttons alternately.

### Playback in variable speed mode

In variable speed mode, you can finely control (51 steps) the playback speed in the following speed ranges depending on the tape format.

**Digital Betacam:** -1 to +3 times normal speed

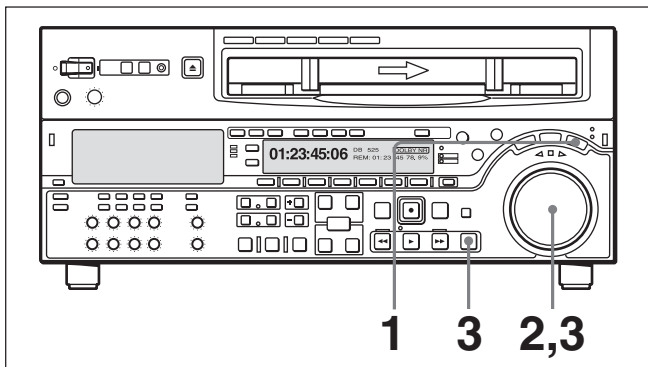
**MPEG IMX:** -1 to +3 times normal speed

**Betacam SX:** -1 to +2 times normal speed

**Betacam/Betacam SP:** -1 to +3 times normal speed

There are detents on the search dial at the still position and at  $\pm 1$  times normal speed.

To carry out playback in variable speed mode, use the following procedure.



- 1** Press the VAR button, turning it on.
- 2** Turn the search dial to the desired angle corresponding to the desired playback speed.  
Playback in variable speed mode starts.
- 3** To stop playback in variable speed mode, return the search dial to the center position, or press the STOP button.

### To return to normal-speed playback

Press the PLAY button.

### To alternate between normal-speed playback and variable speed mode playback

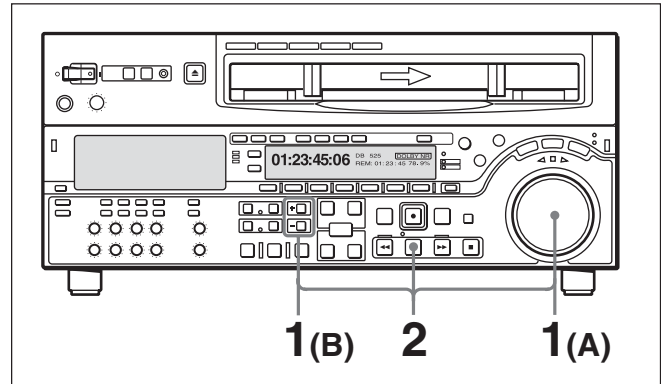
Set the search dial to the position corresponding to the desired variable playback speed, then switch between normal-speed playback and variable speed playback by pressing the PLAY and VAR buttons alternately. For intermittent variable speed mode playback, press the STOP and VAR buttons alternately.

### Playback using the capstan override function

You can use the capstan override function to adjust the playback speed temporarily. This function is convenient for playback phase synchronization with another VTR playing back the same program.

Two types of playback operation are available using the capstan override function (capstan override playback).

### To perform temporal capstan override playback



- 1** (A) Hold down the PLAY button, and turn the search dial in the desired direction to adjust the playback speed.  
The range of speed adjustment is  $\pm 15\%$  in steps of 1%.  
(B) Hold down the PLAY button, and press the TRIM buttons to adjust the playback speed.  
The playback speed can be adjusted to  $\pm 8\%$  only.

The SERVO indicator goes off.

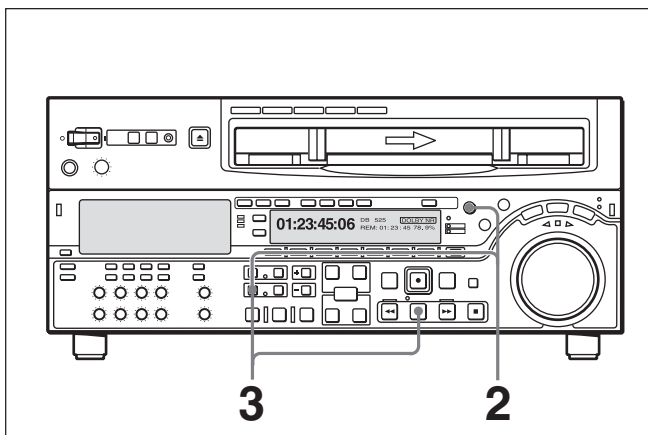
(Continued)

## 4-2 Playback

- 2 When the adjustment is completed, release the PLAY button.

The tape transport returns to normal speed, and the SERVO indicator comes on again.

### To perform continuous capstan override playback



- 1 Set setup menu item 111 (TSO PLAY) to TSO.
- 2 Hold down the DMC EDIT button and turn the MULTI CONTROL knob to select the playback speed.  

The selected playback speed is displayed in time data display area 2 on the lower control panel of this unit as well as in the character information display on the monitor screen.
- 3 Press the PLAY button while holding down the DMC EDIT button.
- 4 Press the PLAY button or perform any other operation to exit the tape speed override mode.

See Section 12-2 "Setup Menu operations" (page 12-2) for details of setup menu operations.

For details of character information displayed on the video monitor screen, see the descriptions of F4 (CHARA) in function menu page 4 (page 11-7) and setup menu item 005 (page 12-5).

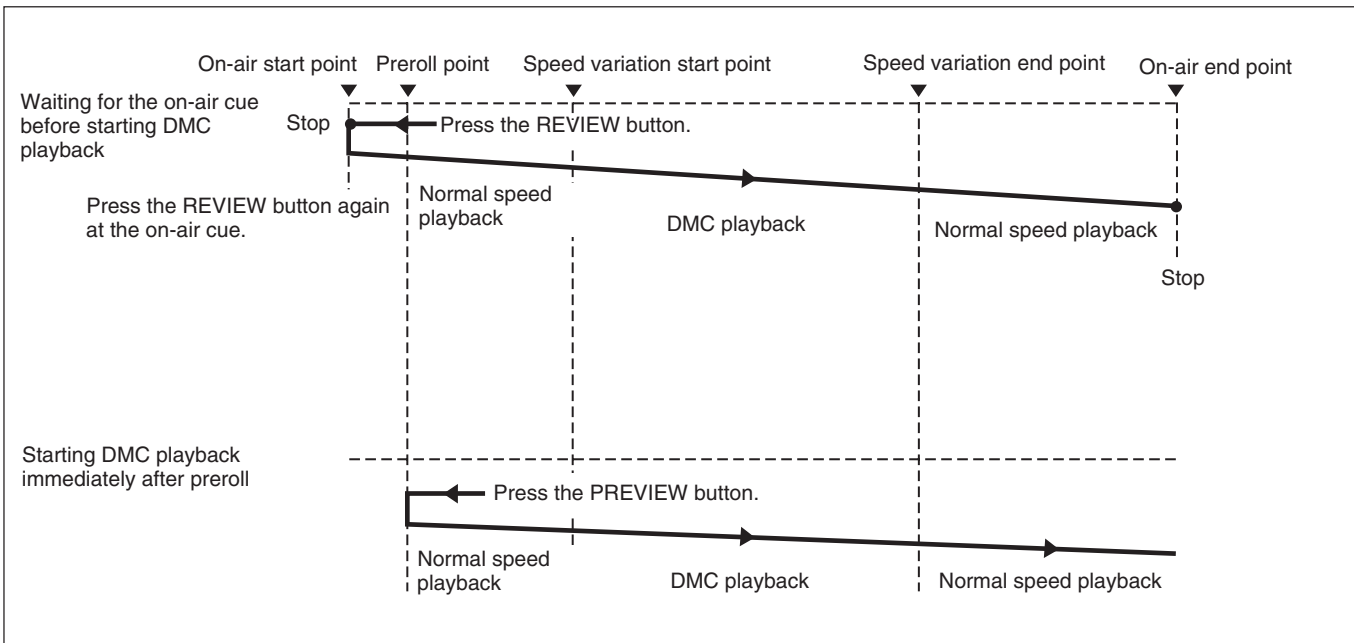
## 4-2-3 Dynamic Motion Control (DMC) Playback

### Overview

DMC playback allows you to vary the playback speed for a certain section of a tape, in variable speed mode (from -1 to +3 times normal speed for digital Betacam playback, from -1 to +3 times normal speed for MPEG IMX playback, from -1 to +2 times normal speed for Betacam SX playback, or from -1 to +3 times normal speed for analog Betacam playback), and store the varying speed in memory for later playback at the same varying speed.

For example, during a live broadcast of a sporting event you can set the start and end points of highlights while recording, and then provide immediate DMC playback of those highlights.

During DMC playback the tape moves as shown in the following figure.

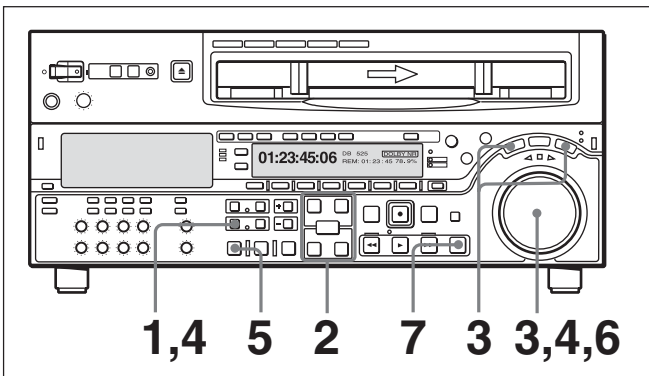


### Storing a varying playback speed in memory

To store the playback speed for DMC playback, use the following procedure.

**Note**

Make sure that the TSO PLAY of setup menu item 111 is set to DIS beforehand.



- 1** Press the DMC EDIT button, turning it on.
- 2** Either while playing back the recorded tape, or during recording, press the ENTRY button and one of the following buttons simultaneously, to set the start and end points.
  - On-air start point: AUDIO IN button
  - Speed variation start point: IN button
  - Speed variation end point: OUT button
  - On-air end point: AUDIO OUT button

Each press turns the corresponding button on.

- 3** Press the search dial or the SHUTTLE button or VAR button to enter shuttle/variable speed mode.

The SHUTTLE/VAR indicator lights.

*(Continued)*

## 4-2 Playback

- 4 Holding down the DMC EDIT button, turn the search dial, to set the initial speed at the playback start point.

The speed you set appears in the speed indication area. During this period the tape does not move. When the initial speed setting is complete, release the DMC EDIT button.

- 5 Press the PREVIEW button.

The tape is prerolled and played back at normal speed from the on-air start point to the speed variation start point. On passing the speed variation start point, the MEMORY indicator begins to flash, and playback begins at the speed set in step 4.

- 6 Turn the search dial to vary the playback speed.

While the MEMORY indicator is flashing, the speed variations are stored in memory. On passing the speed variation end point, the MEMORY indicator changes from flashing to continuously lit, and the variable speed storing ends.

- 7 Press the STOP button to stop the tape.

### If the MEMORY indicator lights continuously before the speed variation end point

This indicates that the memory became full at that point. It is therefore not possible to record more speed variation. The maximum capacity is a duration of 120 seconds.

### To amend the stored speed variation

Press the PREVIEW button.

The interval between the speed variation start and end points is automatically played back at the stored speed. Operate the search dial as required, to adjust the playback speed.

### Setting the initial speed to normal speed

In step 4, press the PLAY button.

## Executing DMC Playback

There are two methods of starting DMC playback.

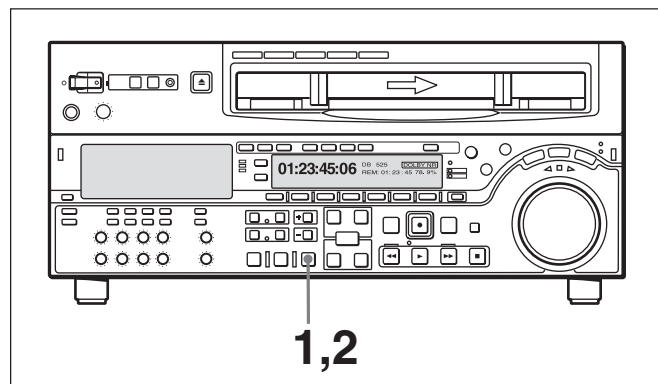
- Starting playback at the on-air cue from the on-air start point
- Starting playback immediately after preroll

### Notes

- To avoid operating mistakes we recommend that you use the VTR in standalone mode when carrying out DMC playback.
- When using two VTRs connected for editing, you can only use the recorder VTR for DMC playback, and only when neither the RECORDER nor PLAYER button is lit.

### To start playback at the on-air cue from the on-air start point

Use the following procedure.



- 1 Press the REVIEW button.

The REVIEW button lights, and the tape is cued up to the on-air start point. After the tape is cued up, the REVIEW button flashes.

- 2 At the moment the on-air cue is given, press the REVIEW button once more.

The REVIEW button lights, and playback starts at standard speed.

Between the speed variation start and end points, DMC playback is carried out at the stored speed, and then playback continues at normal speed and the tape stops at the on-air end point.

---

**To start playback immediately after preroll**

Press the PREVIEW button.

The PREVIEW button lights, and after preroll, DMC playback is carried out for the section from the speed variation start point, then playback continues at normal speed from the speed variation end point.

**To stop the tape during DMC playback**

Press the STOP button.

**To exit DMC playback mode**

Press the DMC EDIT button and the DELETE button simultaneously.

## 5-1 Automatic Editing

This section describes how to carry out automatic editing with this unit and another VTR connected to the REMOTE1-IN(9P) connector.

### 5-1-1 Overview

#### Editing mode

- **Assemble editing**

This is the editing mode in which successive portions of the edited result are recorded on the end of the already completed section.

The CTL signal, video signal, audio signal, and time code are all newly recorded on the tape.

- **Insert editing**

In this mode, new material is recorded at an intermediate point of an existing recording.

The CTL signal is not recorded. The video signal, audio signal, and time code signal can all be independently recorded.

You can carry out DMC editing in both editing modes. In insert editing, split editing is also possible.

#### Using CTL to interpolate time code values

When you are using time code values as edit point addresses, the time code must be recorded on the tape in correct time sequence (i.e. the sections must be in strictly ascending time order).

If the time code values are all in correct time sequence, then if there are any discontinuities in the time code, the unit allows them to be interpolated using the CTL counter.

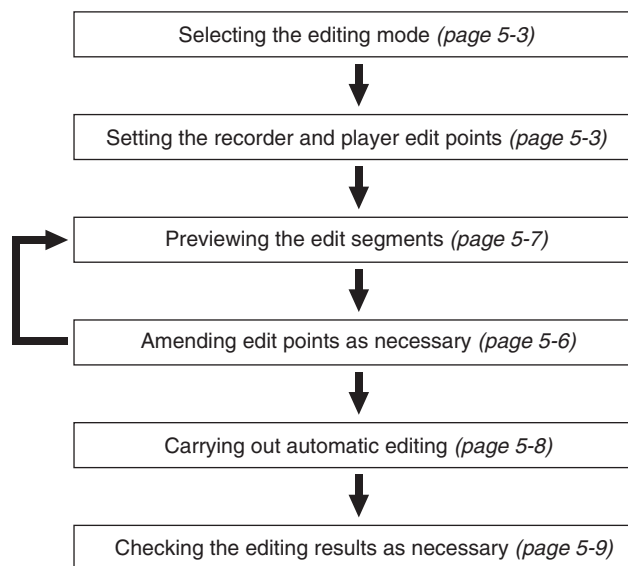
#### Recording time code

For automatic editing, regardless of the TCG (F1) and TCG (F2) settings, time code is recorded continuously from the previous time code recorded on the tape.

*Using setup menu item 610, it is also possible to record time code according to the settings in the function menu.*

#### Sequence of editing operations

The following flowchart outlines the sequence of operations in automatic editing with two VTRs.



#### Using an editing control unit

When controlling this unit with an editing control unit, set an edit delay on the editing control unit so that cut in and cut out instructions are output 5 frames before the actual edit point.

#### Notes on video output to the monitor

In E-E mode, the video output of the unit is delayed by the time for video circuit processing with respect to the input video signal (8H).

Unlike the playback operations described in Chapter 4, for playback to be carried out in editing mode with both the player and recorder specified, you can use setup menu item 701 to delay the SYNC phase, delaying it by 8H.



# 5-1 Automatic Editing

## 5-1-2 Switch and Menu Settings

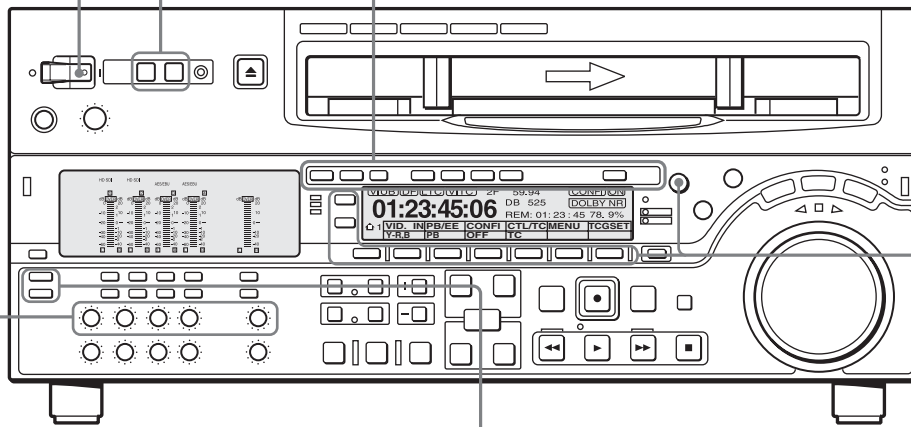
Before beginning editing, make necessary switch and menu settings.

### Recorder settings

POWER switch: 'I' side (ON)

REMOTE buttons (see page 2-2): 1(9P)

Editing mode setting section (see page 2-11): Select assemble editing or insert editing.



VID.IN setting (see page 11-3):  
Select the input video signal.

RECINH setting (see page 11-8):  
OFF

CTL/TC setting (see page 11-3):  
TC or CTL

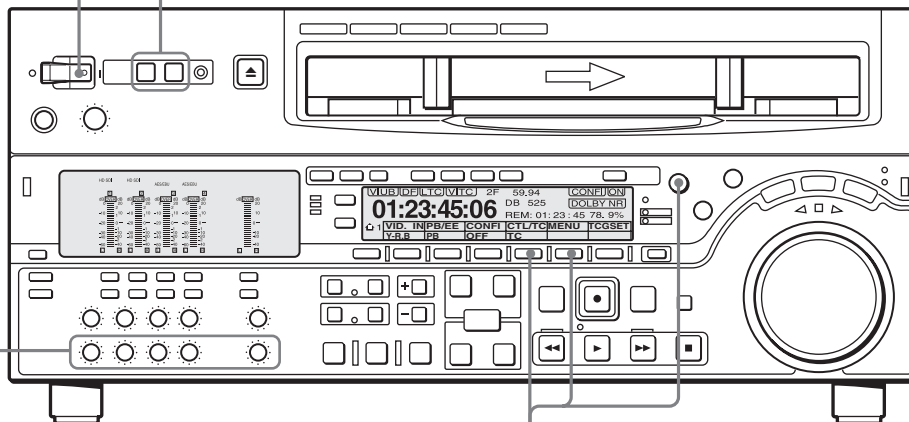
REC controls (see page 2-6): Adjust  
the audio recording levels.

Audio selection function selector buttons (see page 2-4):  
Select the input audio signal.

### Player settings

POWER switch: 'I' side (ON)

REMOTE buttons (see page 2-2): 1(9P)



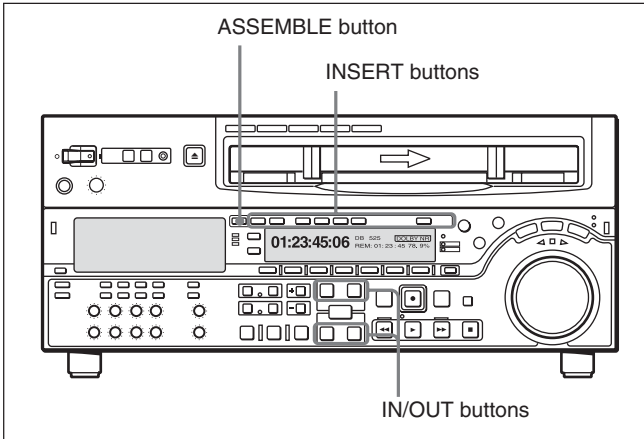
PB controls (see page 2-6):  
Adjust the audio playback levels.

CTL/TC setting (see page 11-3): TC or CTL

### 5-1-3 Selecting the Editing Mode

#### To select the editing mode

Select assemble editing or insert editing.



Depending on the editing mode, press the following button or buttons.

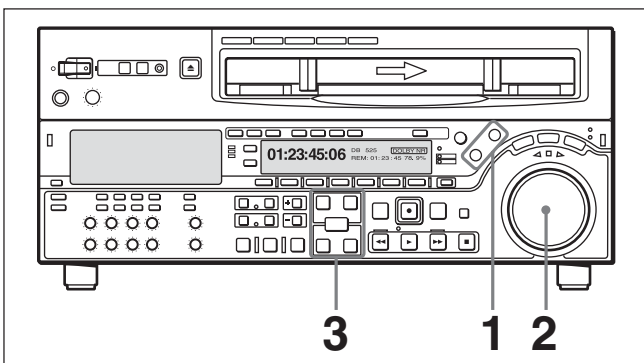
- For assemble editing: ASSEMBLE button
- For insert editing: the desired INSERT buttons (VIDEO, CH1 to CH4, CUE, TC)

When you select the editing mode, the IN/OUT buttons begin to flash, indicating that the edit points require setting.

### 5-1-4 Setting Edit Points

Set the edit points (IN and OUT points). To use split editing in insert mode, you can set the audio and video edit points separately.

#### To set an edit point



- 1 Press the RECORDER button or PLAYER button to select the VTR on which you will set the edit point.

The button which you have pressed lights.

- 2 Turn the search dial in jog or shuttle mode, and position the tape at the required edit point.

*For details of playback in jog or shuttle mode, see the sections "Playback in jog mode" and "Playback in shuttle mode" (page 4-8).*

- 3 At the point at which you wish to set the IN point or OUT point, hold down the ENTRY button and press the IN button or OUT button as the case may be.

When the IN point or OUT point is set, the IN button or OUT button respectively lights.

- 4 Repeat steps 1 to 3 until all the necessary edit points are set.

When the IN points on both the recorder and player are set, the PREVIEW button and AUTO EDIT button flash, and it becomes possible to carry out a preview or editing operation.

#### Automatic setting of edit points

Editing requires four edit points: the IN and OUT points on both the recorder and player. However, once any three of these points are defined, the last point is set automatically. For example, if you set the recorder IN and OUT points, and the player IN point, the player OUT point is set automatically.

#### Note

In the following cases, the DELETE button begins to flash and you cannot carry out automatic editing.

- The OUT point is before the IN point.
  - All four of the recorder IN and OUT points and the player IN and OUT points have been set.
- Use the DELETE button to delete a redundant edit point, or set the edit points correctly.

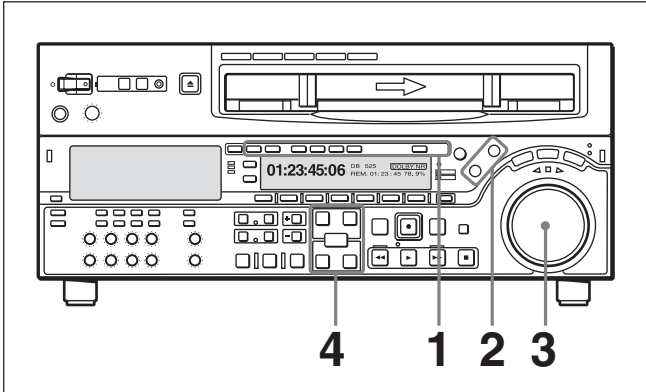
*For details of deleting edit points, see the section "Deleting an edit point" (page 5-6).*

## 5-1 Automatic Editing

### Setting split edit points

In split editing, you can set the edit points for audio and video independently. Set the audio edit points with the AUDIO IN/OUT buttons, and the video edit points with the IN/OUT buttons.

Note that split editing is only possible when the recording mode is insert editing.



- 1 Press the appropriate INSERT button (VIDEO, CH1 to CH4, CUE, or TC).

The IN/OUT button flash.

- 2 Press the RECORDER or PLAYER button to select the VTR for which edit points are to be set.

The button you have pressed lights.

- 3 To find the edit point, rotate the search dial in jog or shuttle mode.

*For details of jog/shuttle mode playback, see the sections “Playback in jog mode” and “Playback in shuttle mode” (page 4-8).*

- 4 Press the ENTRY button together with one of the IN, OUT, AUDIO IN, and AUDIO OUT buttons, to set the edit point.

Once an edit point is set, the corresponding button changes from flashing to continuously lit.

- 5 Repeat steps 2 through 4 to set the required edit points.

As each edit point is set, the corresponding button changes from flashing to continuously lit.

#### Note

During split editing, if you set six or more edit points for the recorder and player, the DELETE button starts to flash, to indicate that such a setup is impossible. Delete all unnecessary edit points, using the DELETE button.

*For details of how to delete edit points, see the section “Deleting an edit point” (page 5-6).*

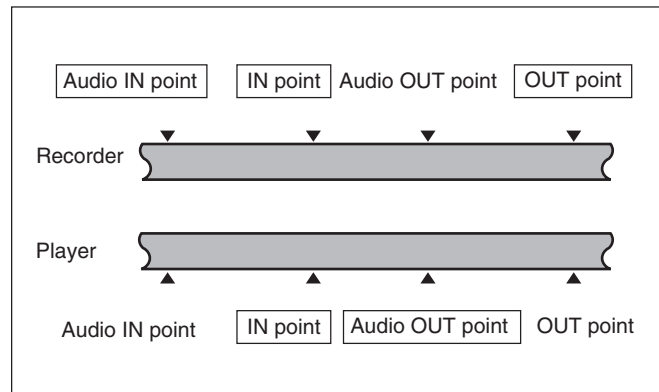
### Automatic setting of edit points in split editing

Split editing requires a total of eight edit points: four video edit points (player IN and OUT and recorder IN and OUT) and four audio edit points (player audio IN and OUT and recorder audio IN and OUT). However, as soon as you set five points, the system automatically calculates and sets the remaining three points.

Specifically, once you have set three of the four video edit points and two audio edit points, the remaining three edit points are set automatically, regardless of whether these points are for the recorder or player.

In the figure below, the edit points shown within boxes are already set. The other edit points (recorder audio OUT point, and player audio IN and video OUT points) are set automatically.

Note that, regardless of whether it was set manually or automatically, any edit point can be deleted or corrected later.



*You can set audio cut in, crossfade, fade in, and fade out effects, including their durations, by menu selection. For details, refer to the Installation Manual.*

### When the audio IN point is not set for insert editing of audio only

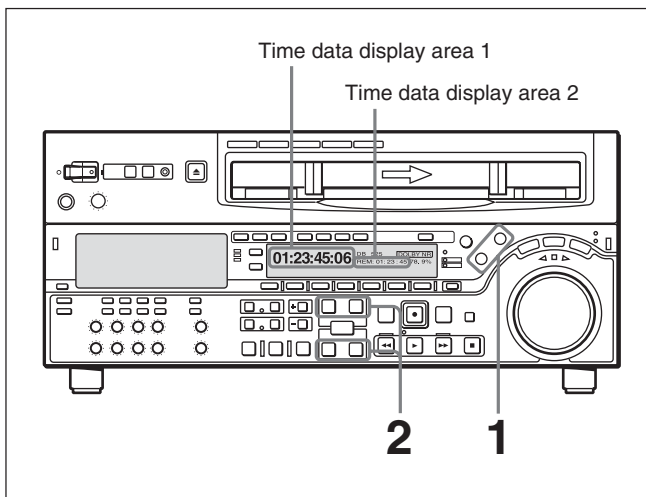
As long as the audio OUT point is set, the VTR is ready for preview or editing. If the audio IN point has not been set, the current tape position is automatically used as the audio IN point.

### Using a VTR without a split editing function as the player

If it is not possible to set separate audio and video edit points on the VTR you are using as the player, by setting the audio IN and OUT points on the recorder (this unit), then setting three video edit points, split editing is possible.

### To display the time value for an edit point

You can display the time value for an edit point in the time data/menu display section (*see page 2-7*). The edit point appears in time data display area 2.



- 1 Press the RECORDER button or PLAYER button to select the VTR on which you wish to check the edit point.

The button you have pressed lights.

- 2 Hold down the IN, OUT, AUDIO IN or AUDIO OUT button according to the edit point you wish to check.

While you hold down the button, the corresponding indicator lights in the upper line of time data display area 2, and the time value of the edit point is displayed.

### To display the duration of an edit segment

You can display the duration between two edit points in the following three cases, in the time data/menu display section (*see page 2-7*).

- When two edit points are set: the duration of the segment between the two points
- When only one edit point is set: the duration of the segment between the point which is set and the current tape position
- When no edit point is set: the duration of the previous edit segment

The duration is displayed in time data display area 2, thus: "DURATION 0:01:10:00".

To display a duration, use the following procedure.

- 1 Press the RECORDER button or PLAYER button to select the VTR on which you wish to check the duration.

The button you have pressed lights.

- 2 Hold down any two of the IN, OUT, AUDIO IN and AUDIO OUT buttons.

While you hold down the buttons, the duration is displayed in time data display area 2.

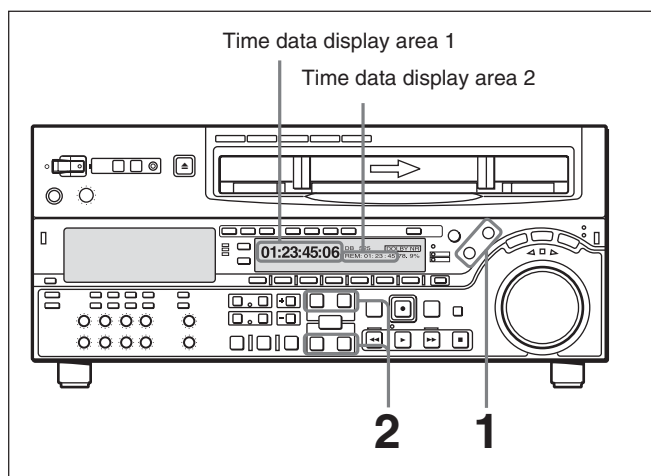
## 5-1 Automatic Editing

### 5-1-5 Modifying and Deleting Edit Points

If the edit points are not set correctly, for example if an OUT point is before a corresponding IN point, the DELETE button flashes, and it is not possible to carry out a preview or editing operation. In this case, either modify the erroneous edit point, or first delete it and then enter it correctly.

#### Modifying an edit point

To modify an edit point, use the following procedure.



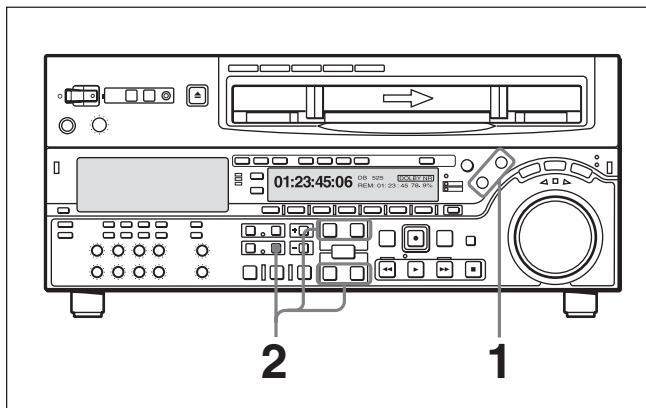
- 1 Press the RECORDER button or PLAYER button to select the VTR on which you wish to modify the edit point.

The button you have pressed lights.

- 2 Hold down the IN, OUT, AUDIO IN, or AUDIO OUT button corresponding to the edit point you wish to modify, and press the TRIM buttons (+ or -).  
While you hold down the button, the time value for the edit point appears in the display; pressing the + button increases the value by one frame, and pressing the - button decreases it by one frame.

#### Deleting an edit point

To delete an edit point, use the following procedure. You can use the same procedure whether or not the DELETE button is flashing.



- 1 Press the RECORDER button or PLAYER button to select the VTR on which you wish to delete the edit point.

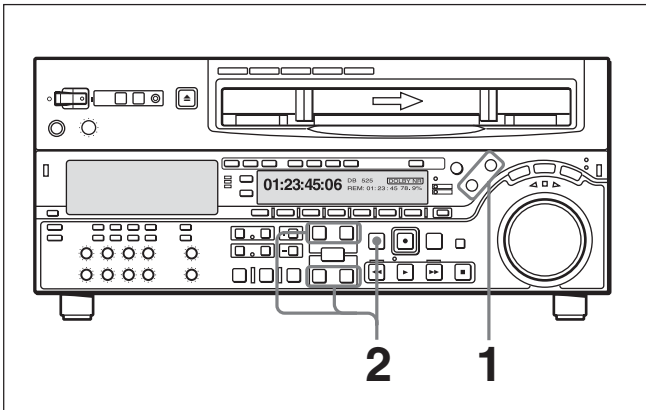
The button you have pressed lights.

- 2 Hold down the DELETE button and press the IN, OUT, AUDIO IN or AUDIO OUT button according to the edit point you wish to delete.

The edit point is deleted according to which button you pressed, and the DELETE button goes off.

## 5-1-6 Cue-Up to Edit Points and Preroll

To preroll to a position before an edit IN point or cue up to any edit point, use the following procedure.



- 1 Press the RECORDER button or PLAYER button to select the VTR on which you wish to operate.

The button you have pressed lights.

- 2 • **To cue up to an edit point**  
Hold down the IN/OUT button or AUDIO IN/OUT button according to the edit point to which you wish to cue up, and press the PREROLL button.

This cues up to the edit point you have selected.

- **To preroll**  
Press the PREROLL button.

The tape is wound back to a position 5 seconds before the edit IN point, and stops.

### To change the preroll time

The factory default setting for the preroll time is 5 seconds, but you can use setup menu item 001 to change this to any value from 0 to 30 seconds. If you change the preroll time, make sure that the setting is not longer than the recording length before the edit IN point.

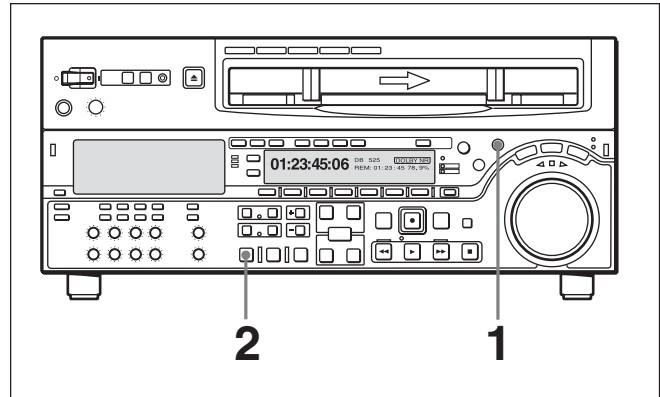
Note that for automatic editing, the preroll time setting on the recorder takes precedence.

*For details of setup menu item 001, see Section 12-3 “Items in the Basic Setup Menu” (page 12-5).*

## 5-1-7 Preview

When you have set the edit points, the PREVIEW button flashes, indicating that you can carry out a preview.

To carry out a preview, use the following procedure.



- 1 Press the RECORDER button, turning it on.
- 2 Press the PREVIEW button.

The PREVIEW button changes from flashing to continuously lit, and the preview is carried out. At the end of the preview, the PREVIEW button flashes again.

### To stop the preview

Press the STOP button.

The tape stops at the position where you pressed the button.

### To return the tape to the preroll point

Press the PREROLL button.

### To return the tape to the IN point or OUT point

Press the PREROLL button and the IN button or OUT button simultaneously.

After the preview, make any necessary adjustments to the edit points, then repeat the preview.

*For details of how to modify or delete edit points, see Section 5-1-5 “Modifying and Deleting Edit Points” (page 5-6).*

## 5-1 Automatic Editing

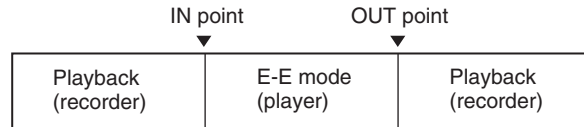
### Monitor output

During a preview, on a monitor connected to the recorder you can monitor the following video and audio.

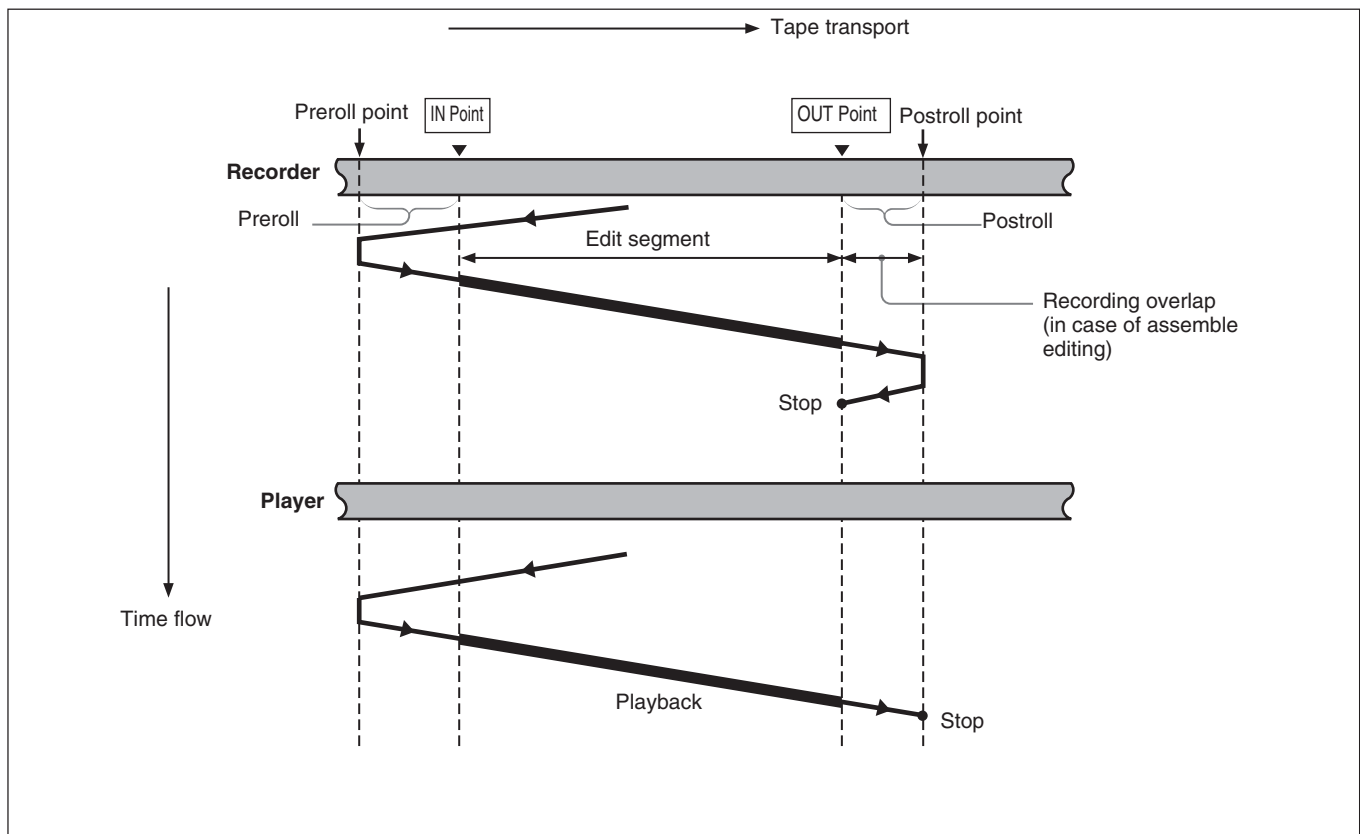
- From the preroll point to the IN point, you can monitor the playback from the recorder.
- From the IN point to the OUT point, you can monitor the playback from the player through the recorder in E-E mode.

- From the OUT point to the postroll point, you can monitor the playback from the recorder.

The following figure illustrates this.



### 5-1-8 Carrying Out Automatic Editing



### Overview

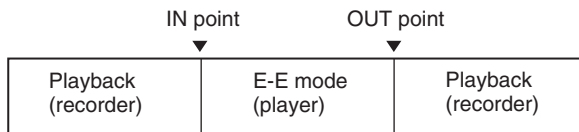
When you carry out automatic editing, the recorder and player operate as shown in the figure above, to copy the video and audio signals between the IN and OUT points on the player to the segment between the IN and OUT points on the recorder.

### Monitor output

During execution of an automatic edit, as during a preview, on a monitor connected to the recorder you can monitor the following video and audio.

- From the preroll point to the IN point, you can monitor the playback from the recorder.
- From the IN point to the OUT point, you can monitor the playback from the player through the recorder in E-E mode.
- From the OUT point to the postroll point, you can monitor the playback from the recorder.

The following figure illustrates this.



## Using a single monitor for video and audio on both player and recorder

For efficient editing if only one monitor is available, use the following method.

- 1 Connect the monitor to the recorder.
- 2 In the basic setup menu, set item 008 to AUTO.
- 3 Press the PLAYER button on the recorder.

This forces the recorder to E-E mode, in which the player video and audio signals are output to the monitor.

### Note

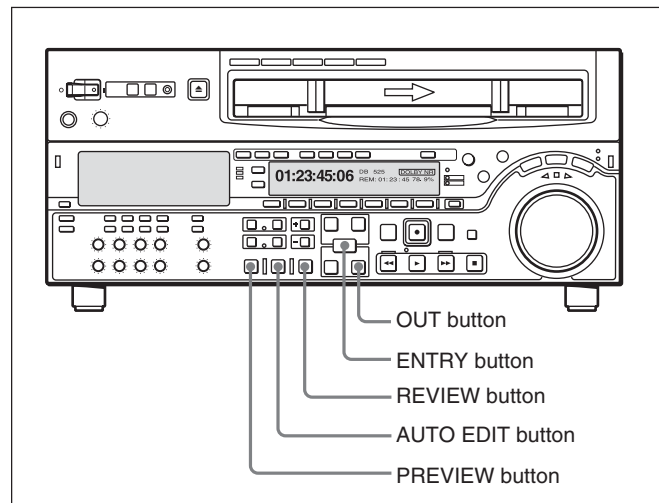
In insert editing to tape, it is necessary for audio, video, and CTL signals to be recorded in advance throughout the insert editing section on the tape. If you execute an insert edit over a section where these signals are not present, noise or breakup can occur in the audio and video when that section is played back.

## Starting automatic editing

When you have set the edit points, press the flashing AUTO EDIT button.

The AUTO EDIT button changes from flashing to continuously lit, and the automatic editing operation begins.

At the end of the editing operation, the AUTO EDIT button goes off.



## To change the OUT point after starting automatic editing operation

After starting the automatic editing operation, to end the operation before the preset OUT point, hold down the ENTRY button and press the OUT button. The position where you pressed the button becomes the OUT point, and editing ends.

## To abandon automatic editing

Press the STOP button.

The automatic editing operation is abandoned. At the same time, the PREVIEW button and AUTO EDIT button start flashing, and the state before the editing was started is restored.

In this case, the IN and OUT points already set are preserved so that you can carry out a preview or automatic editing operation again by pressing the PREVIEW button or AUTO EDIT button.

## Reviewing the editing results

After carrying out an editing operation, you can carry out a review, to check the editing results on the monitor.

To carry out a review, after carrying out the edit, and before you set any new edit points or make other settings, press the REVIEW button.

The REVIEW button lights, and the review is carried out.

At the end of the review the REVIEW button goes off, and the tape returns to the OUT point.



## 5-1 Automatic Editing

---

### **After automatic editing, to adjust the edit points and reexecute the edit**

Hold down the DELETE button and press the ENTRY button to recall the edit points. After adjusting the edit points, press the AUTO EDIT button to carry out the edit again.

*For details of how to adjust edit points, see Section 5-1-5 “Modifying and Deleting Edit Points” (page 5-6).*

# 5-2 DMC Editing

By controlling the player playback speed from the recorder you can achieve variable speed editing.

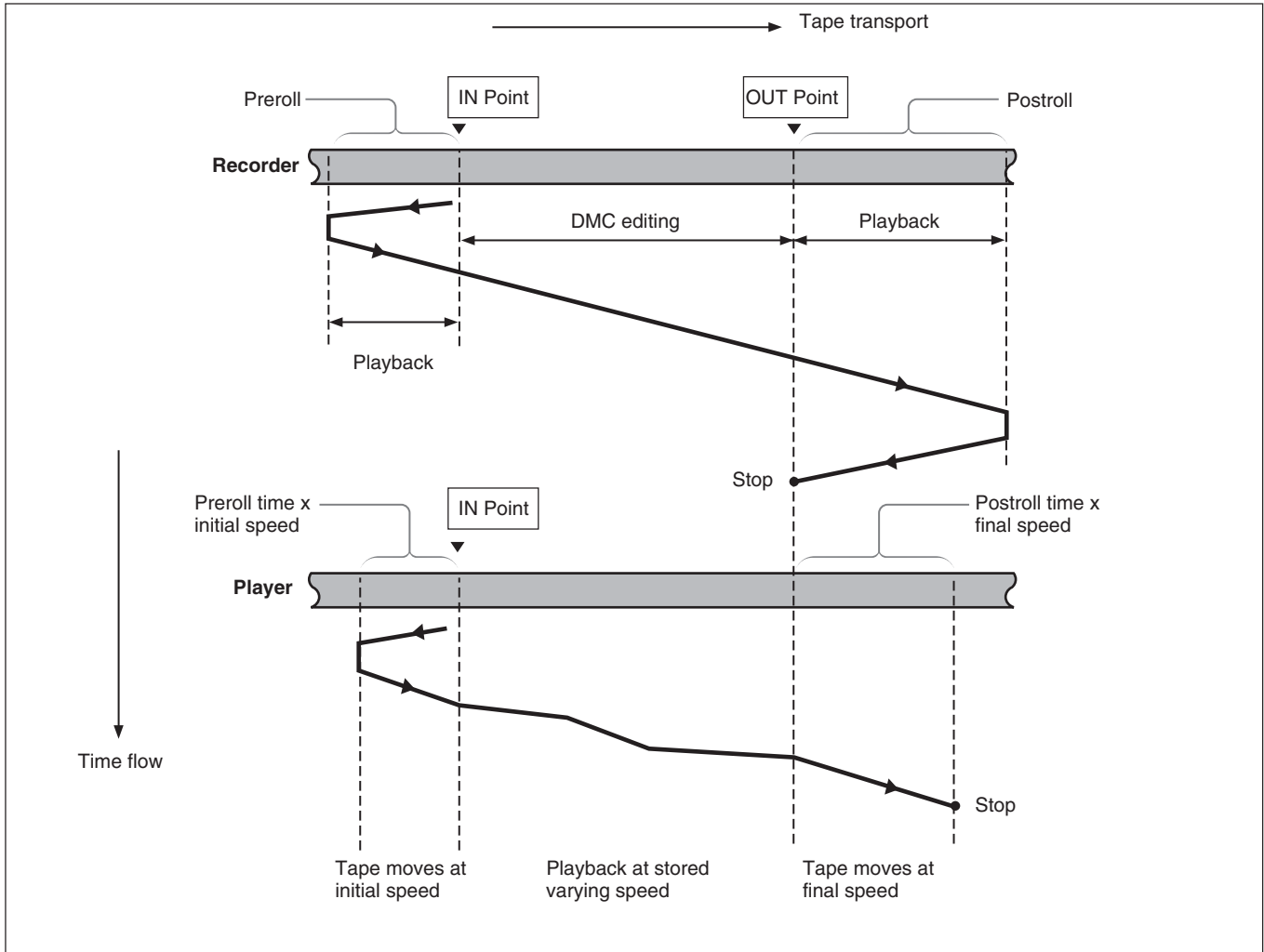
## 5-2-1 Overview of DMC Editing

### Conditions for DMC editing

DMC editing can be used for insert or assemble editing, but not for audio split editing.

### Tape movement during DMC editing

The following figure illustrates how the tapes move on the player and recorder during DMC editing.

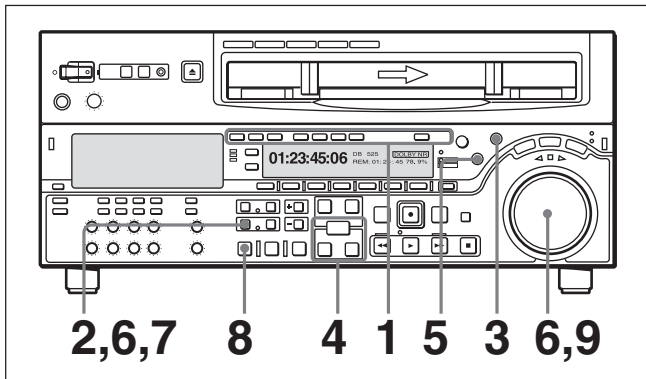


## 5-2 DMC Editing

### 5-2-2 Carrying Out DMC Editing

#### Setting the edit points and player speed

Use the following procedure.



- 1 Press the ASSEMBLE button or the desired INSERT button to select the editing mode.
- 2 Press the DMC EDIT button.  
This unit switches to the DMC editing mode, and the DMC EDIT button lights.
- 3 Press the RECORDER button.
- 4 Holding down the ENTRY button, press the IN or OUT button to set an edit point.
- 5 Press the PLAYER button, to set the player IN point.  
**Note**  
It is not possible to set the player OUT point.
- 6 Holding down the DMC EDIT button, turn the search dial, to set the initial speed.  
To select normal speed as the initial speed, press the PLAY button.

The speed you set appears in the speed indication area.

7 When the initial speed setting is complete, release the DMC EDIT button.

8 Press the PREVIEW button.

The tape is prerolled and then the recorder starts operating at normal speed and the player at the set initial speed.

9 On passing the IN point, the MEMORY indicator begins to flash: turn the search dial to vary the playback speed.

While the MEMORY indicator is flashing, the speed variations are stored in memory. On passing the OUT point, the MEMORY indicator changes from flashing to continuously lit, and the variable speed storing ends.

#### If the MEMORY indicator lights continuously before the OUT point

This indicates that the memory became full at that point. Thus even before the OUT point is reached, it is not possible to record more speed variation. The maximum capacity is a duration of 120 seconds.

#### Quitting the DMC edit mode

Press the DELETE button and DMC EDIT button simultaneously.

#### Executing the DMC edit

Press the AUTO EDIT button.  
DMC editing is carried out at the stored varying speed. Once the editing is carried out, the stored speed variation is lost from memory.

#### To check the editing results

Press the REVIEW button.

## 5-3 Special Automatic Editing Methods

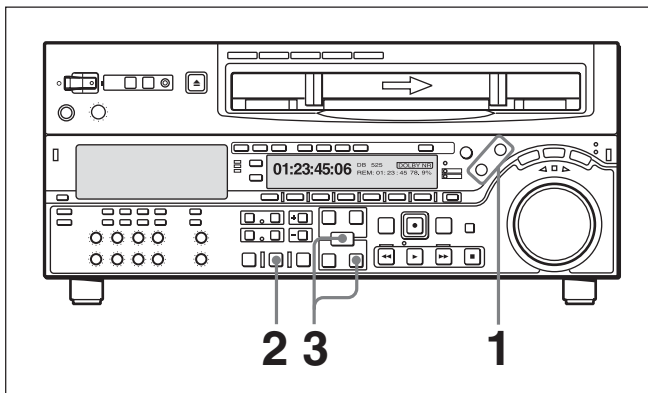
This section describes the following automatic editing methods:

- Quick editing
- Continuous editing
- Standalone editing
- Manual editing
- Preread editing

### 5-3-1 Quick Editing

After selecting the edit mode, you can save on editing time by setting the edit points and executing the edit at the same time.

For quick editing, use the following procedure.



**1** When operating the player, press the **PLAYER** button, turning it on, and when operating the recorder, press the **RECORDER** button, turning it on, then stop the tapes on both the player and the recorder at the positions you wish to make the respective **IN** points.

**2** Press the **AUTO EDIT** button.

Editing starts.

**3** Watching the editing on the monitor, at the position you wish to make the **OUT** point, hold down the **ENTRY** button and press the **OUT** button.

Editing ends.

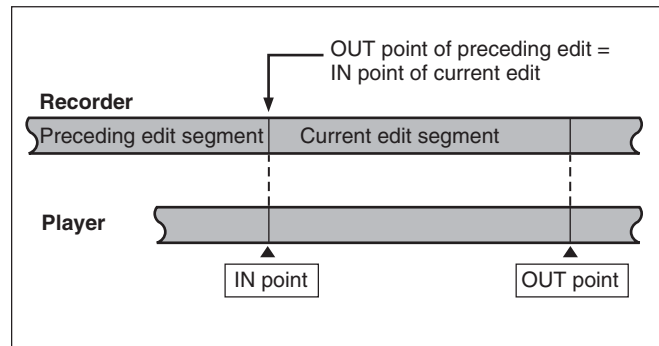
The point at which you started the editing becomes the **IN** point, and the point at which you ended the editing becomes the **OUT** point.

#### If you want to preview

In step **1**, after setting the recorder or player **IN** point, press the **PREVIEW** button.

### 5-3-2 Continuous Editing

After an automatic editing operation, the recorder automatically returns to the **OUT** point. For the second and subsequent editing operations, you can continue editing by simply specifying the **IN** and **OUT** points on the player. In this case the current **OUT** point on the recorder becomes the new **IN** point.



After automatic editing of one edit segment, to carry out continuous editing use the following procedure.

**1** Set the player **IN** and **OUT** points.

On the recorder the **OUT** point for the previous edit becomes the new **IN** point.

**2** Press the **PREVIEW** button to carry out a preview.

**3** Press the **AUTO EDIT** button.

This executes the edit.

When the editing operation is completed, the recorder stops at the **OUT** point, and the player stops 2 seconds after the **OUT** point.

By repeating this process, you can carry out continuous editing.

*By setting setup menu item 326, you can make the preceding **OUT** point automatically become the new **IN** point.*

## 5-3 Special Automatic Editing Methods

### 5-3-3 Standalone Editing

This refers to editing using as the player an external device which cannot be controlled remotely through the REMOTE1-IN(9P) connector. For example, you can record a color bar signal from a signal generator in the joints between the scenes of an already completed tape.

#### Carrying out standalone editing

Set the IN point with neither the PLAYER button or RECORDER button lit.

The AUTO EDIT button flashes, and it is now possible to carry out automatic editing.

If necessary, you can also first set the OUT point.

### 5-3-4 Manual Editing

Use the following procedure to carry out manual editing.

- 1 Press the RECORDER button, turning it on.
- 2 Use the search dial in jog or shuttle mode to find the editing start point (the recorder IN point), and stop the tape just before this point.

#### Note

If the recorder is in stop mode, then when editing starts this section of the video will break up.

- 3 Select the editing mode.
- 4 Press the PLAY button.

The recorder begins playback.

#### Note

It takes about two seconds until the playback video stabilizes. For this reason, start the playback from before the segment of video you wish to use.

- 5 At the editing start point (the recorder IN point), press the EDIT button and PLAY button simultaneously.

Editing starts.

- 6 At the editing end point (the recorder OUT point), press the PLAY button.

Editing ends, and the recorder continues with playback.

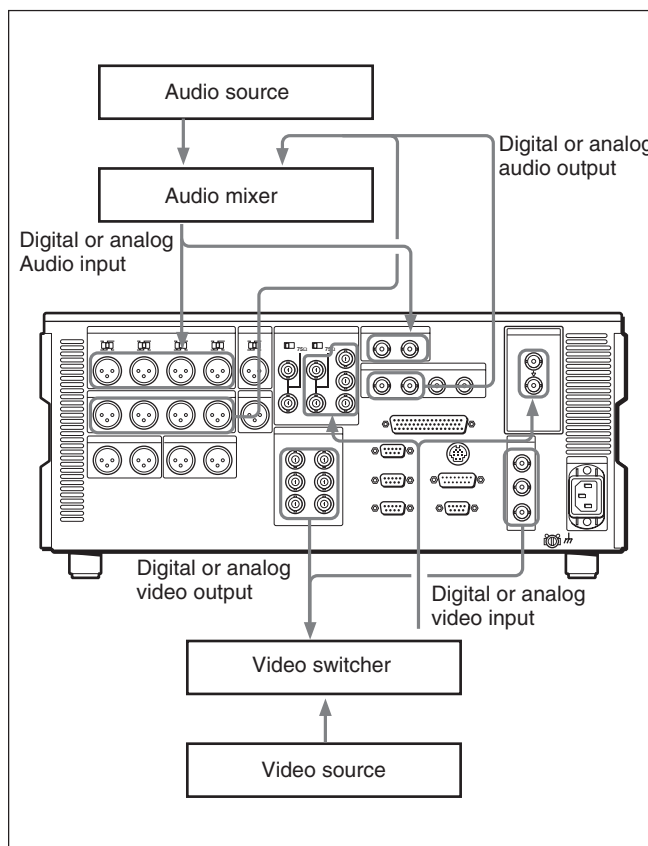
- 7 Press the STOP button to stop the recorder playback.

### 5-3-5 Preread Editing

Video and digital audio signals already recorded on the tape can be used as an edit source for insert editing. This type of editing is called “preread editing”, as this unit uses the preread heads to read the signals in advance from the tape.

The signals read out can be send to a mixer for mixing, and can be recorded either on the original channels or on other digital audio channels.

For preread editing, set the PREREAD to ON (*see page 11-8*).



**Notes**

- In pre-read editing, if an input video signal is used as the reference signal for the output video signal, this forms a feedback loop. To prevent the occurrence of feedback, set the OUTREF in function menu page 4 to REF, and set item 309 in the extended setup menu to AUTO 1 so as to use an external reference signal.
- When the pre-read mode is selected, to prevent feedback due to the loop connection, whatever the editing mode of this unit, no E-E video output is available.

When the PREREAD is set to OFF after pre-read editing, however, if the loop connection remains and an E-E signal is output, feedback will occur.

To prevent this, select PB mode for the video and digital audio channels in all the modes before the pre-read editing, as follows.

- 1** Set PB/EE in function menu HOME page to PB.
- 2** Set the PREREAD in function menu page 4 to ON.
- 3** Make the necessary connections for the pre-read editing.
- 4** After selecting the desired insert editing mode, carry out the pre-read editing.
- 5** When the pre-read editing is completed, remove the connections.
- 6** Set the PREREAD to OFF.
- 7** Check that no loop connection remains.

## 6-1 Overview

This unit can record shot marks or use shot marks recorded in digital Betacam, MPEG IMX, or Betacam SX format.

Shot marks are indications at desired points on a tape which enable faster cueing.

### Types of shot mark

This unit supports the following three types of shot mark. This chapter describes recording start marks and

post marks, treating them as varieties of shot marks.

| Shot mark type              | Writing on a camcorder, etc.   | Writing on this unit   | Modifying and erasing on this unit |
|-----------------------------|--|--|------------------------------------|
| Recording start mark        | Automatically written at the start of recording.                     | Written or not according to a separate menu setting for each recording mode (crash recording, assemble editing, insert editing). For each mode for which the setting is "ON", the mark is written automatically at the start of recording. | Possible                           |
| Shot mark 1 and shot mark 2 | Written by a manual shot mark operation during recording or editing. | Written by a button operation during crash recording or assemble editing. A menu setting determines which of three types of mark is written: shot mark 1, shot mark 2, or post mark.   |                                    |
| Post mark                   | Not written (Written only on this unit)                              | Written by a button operation during playback, while stopped, during a search, or during recording (crash recording or assemble editing).  |                                    |

First, the shot mark functions of this unit are described in simple terms.

### Reading shot marks

This unit reads in shot marks written on a tape and stores them in memory. (To a maximum of 200) Once this data is stored in this unit, it is preserved even when the power is turned off.

### Writing and erasing shot marks

For recording start marks, a menu setting determines whether or not they are written each time recording starts. Shot mark 1, shot mark 2, and post mark types can be written at any point on a tape, and also erased or rewritten.

### Shot mark list operations

On the monitor, you can display a list of the shot marks read in by this unit, select required shot marks, delete shot marks, and so on. You can also add a memo mark (#) to a shot mark in the list. During tape playback, you can add virtual shot marks to the list. This is not written on the tape itself.

### Cueing up to shot marks

By selecting a desired shot mark from the shot mark list, you can cue up immediately to that position. By means of a button operation, you can also cue up to the shot marks adjacent to the current tape position (index function).

### Shot data display

When the tape includes shot data (camera, time, and other information captured at the time of shooting), you can read this in, and display the details on a monitor. It is also possible to display the shot mark list and shot data simultaneously.

### Sorting shot marks by cassette

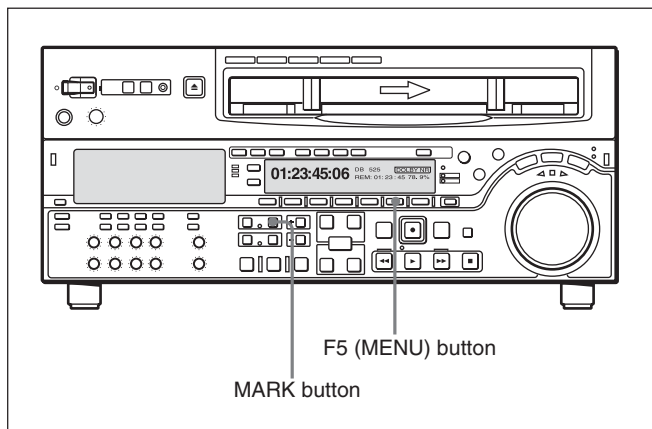
When the tape includes shot data, this unit recognizes which cassette each shot mark comes from. You can therefore sort the read-in shot marks by cassette in time code order.

# 6-2 Shot Mark Operation Menu

This section describes the settings in the shot mark operation menu.

## Displaying the shot mark operation menu

With the function menu HOME page showing in the menu display, hold down the MARK button, and press the F5 (MENU) button.



The following menu appears on the monitor.

```

SHOT MARKER
G01:SEARCH TYPE - all
G02:LISTING TYPE
G03:RS.MARK MODE
G04:MARK IN REC shot1
    
```

## Details of the shot mark operation menu

The shot mark operation menu comprises four items, G01 to G04. The detailed contents appear in the following table.

| Item number | Item name    | Settings   |
|-------------|--------------|--|
| G01         | SEARCH TYPE  | Select which shot mark type the index function searches for, from the following possibilities:<br><b>all</b><br><b>rec start mark</b><br><b>shot mark 1</b><br><b>shot mark 2</b><br><b>post mark</b>              |
| G02         | LISTING TYPE | For each type of shot mark, select whether to read into the list (ON) or not read (OFF):<br><b>rec start mark</b><br><b>shot mark 1</b><br><b>shot mark 2</b><br><b>post mark</b>                                  |
| G03         | RS.MARK MODE | For each type of recording, select whether to write recording start marks (ON) or not write them (OFF):<br><b>crash rec:</b> crash recording<br><b>assemble:</b> assemble editing<br><b>insert:</b> insert editing |
| G04         | MARK IN REC  | Select the type of shot mark to write during recording and assemble editing.<br><b>shot mark 1</b><br><b>shot mark 2</b><br><b>post mark</b>   |

## Changing the menu settings

The basic procedure for accessing menu items and changing settings is the same as for the setup menus. Note, however, the operations in “To change the settings of menu items with sub-items” (page 12-3) for items G02 and G03.

*For details of the setup menu configuration and operations, see Section 12-1 “Setup Menu Configuration” (page 12-1) and Section 12-2 “Setup Menu Operations”(page 12-2), respectively.*



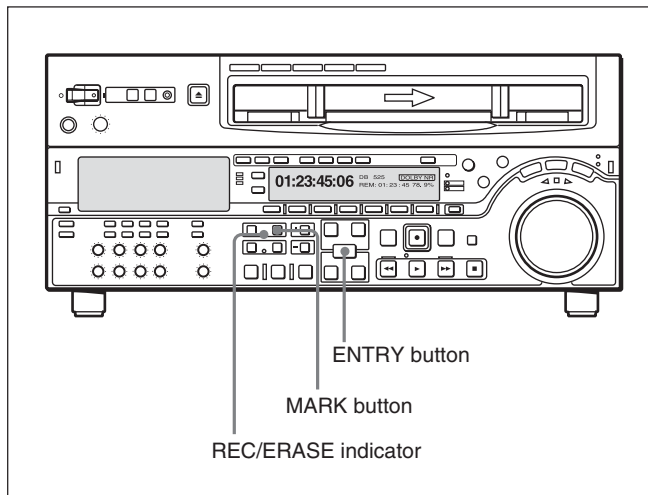


## 6-3 Shot Mark Operations

### To write in crash recording or assemble editing

- 1 Hold the MARK button down for at least 2 seconds.
- 2 At the position you wish to write the mark, hold down the ENTRY button, and press the MARK button.

A mark of the type selected in item G04 of the shot mark operation menu is written.



### Writing during playback, while stopped, or during a search

When this unit is in any of the playback, stop, or search modes, you can write a post mark only.

- 1 Hold the MARK button down for at least 2 seconds.

The REC/ERASE indicator lights.

- 2 At the position you wish to write the mark, hold down the ENTRY button and press the MARK button.

A post mark is written the instant you pressed the MARK button.

While the mark is being written, the message "RECORD SHOT MARK" appears on the monitor, and the REC/ERASE indicator flashes.

### Erasing a shot mark

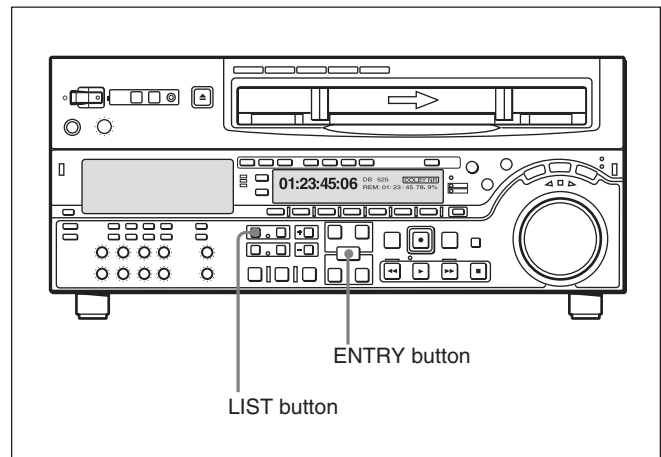
Select the shot mark from the shot mark list, and then carry out the deletion operation.

For details of the procedure, see page 6-6.

## 6-3-3 Shot Mark List Operations

### Displaying the shot mark list

Hold down the ENTRY button and press the LIST button.



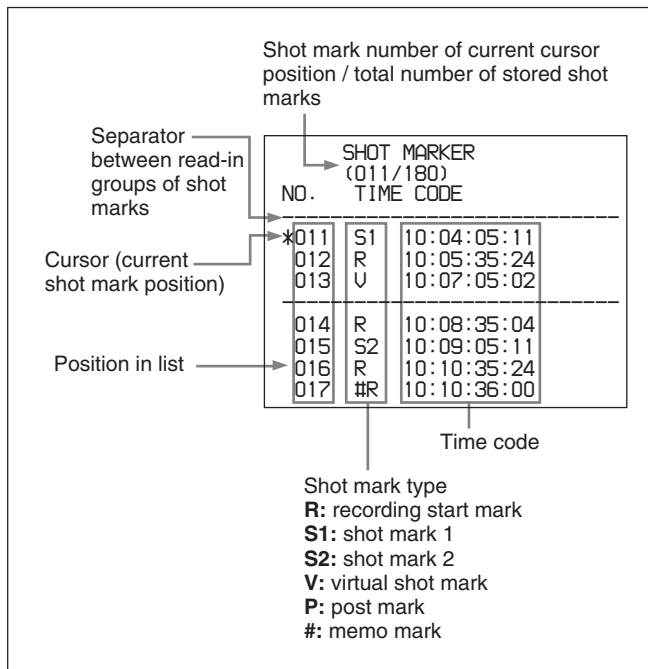
All of the shot mark types for which item G02 in the shot mark operation menu is set to "ON" appear in the list. If you do the same operation again, the list display disappears.

While the shot mark list is displayed, the function menu display changes as follows.

|     |      |        |        |  |         |      |
|-----|------|--------|--------|--|---------|------|
| SHT |      |        |        |  |         |      |
| MRK | MEMO | SELECT | DELETE |  | SETTING | EXIT |

## Example of list display

The following figure shows how the list is organized.

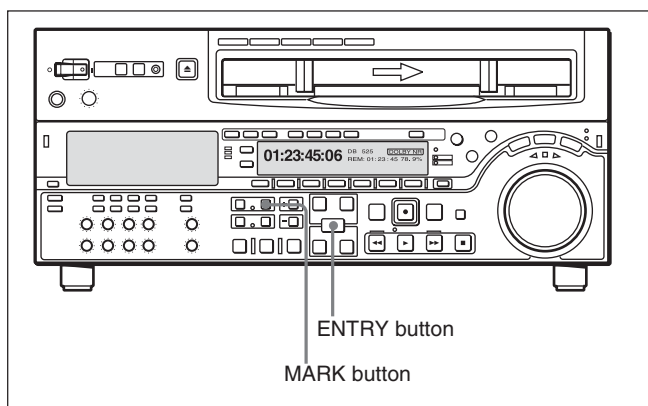


## Selecting a shot mark

Turn the MULTI CONTROL knob to align the asterisk cursor with the desired shot mark.

## Entering virtual shot marks

When the REC/ERASE indicator is off, hold down the ENTRY button and press the MARK button.



A virtual shot mark appears on the monitor as “V-MARK xxx” (xxx is the number). This is not written to the tape.

After entering a virtual shot mark, if you change the cassette or power the unit off, it appears in the list as the first shot mark of the next group read in.

## Adding a memo mark (#)

Select the shot mark to which you wish to add the memo mark, then press the F1 (MEMO) button. Repeat this operation to remove a memo mark.

## Selecting the types of shot mark to be read in the list

For each of the types of shot mark (recording start mark, shot mark 1, shot mark 2, and post mark) you can specify whether it is read in.

In item G02 of the shot mark operation menu, set the required types to “ON”.

For details of the menu, see page 6-2.

You can also use the following procedure.

- 1 With the shot mark list displayed, press the F5 (SETTING) button.

You can now select the shot mark types.

The function menu display changes as follows.

| SHT MRK | PREV | NEXT | OFF | ON | EXIT |
|---------|------|------|-----|----|------|
|         |      |      |     |    |      |

- 2 Press the F1 (PREV) or F2 (NEXT) button to select a shot mark type.
- 3 Press the F4 (ON) or F3 (OFF) button to switch between ON (displayed) and OFF (not displayed).
- 4 To return to the shot mark list, press the F6 (EXIT) button.

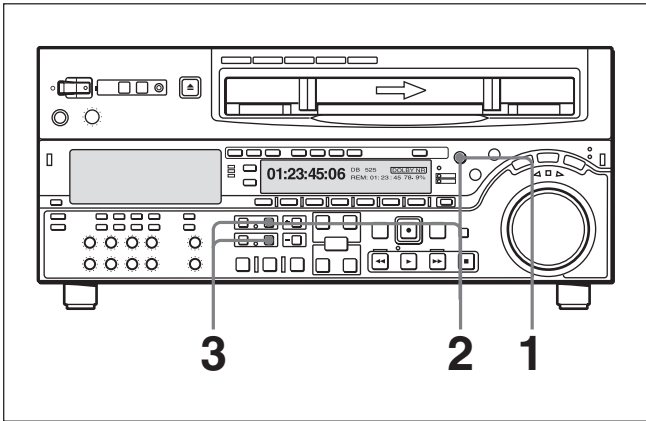
## Deleting a shot mark from the list

To delete a shot mark or the shot mark list, you can use the F2 (SELECT) button instead of the MARK button, and the F3 (DELETE) button instead of the DELETE button.

## 6-3 Shot Mark Operations

### To delete an individual shot mark

Use the following procedure.



- 1 With the shot mark list displayed, select the shot mark to be deleted using the MULTI CONTROL knob.
- 2 Hold the MARK button down.  
While you hold down the button, an “X” appears after the selected shot mark number, indicating that it will be deleted.  
To delete more than one shot mark, while holding down the MARK button turn the MULTI CONTROL knob to select all of the shot marks.
- 3 With the MARK button held down, press the DELETE button.

This deletes the shot marks which were marked by an “X”.

### To delete the entire list

Hold down the DELETE button and press the LIST button.

This deletes all shot marks from the list. This does not erase marks from the tape.

### Erasing shot marks from the tape

To erase a shot mark, use the following procedure.

#### Note

Once you erase a shot mark from the tape, it cannot be read back in.

- 1 With no shot mark list displayed, hold the MARK button down for at least 2 seconds.

The REC/ERASE indicator lights, indicating that you can rewrite or erase shot marks.

- 2 Display the shot mark list.
- 3 Turn the MULTI CONTROL knob to select on the list the shot mark you wish to erase.
- 4 Press the DELETE button and MARK button simultaneously.

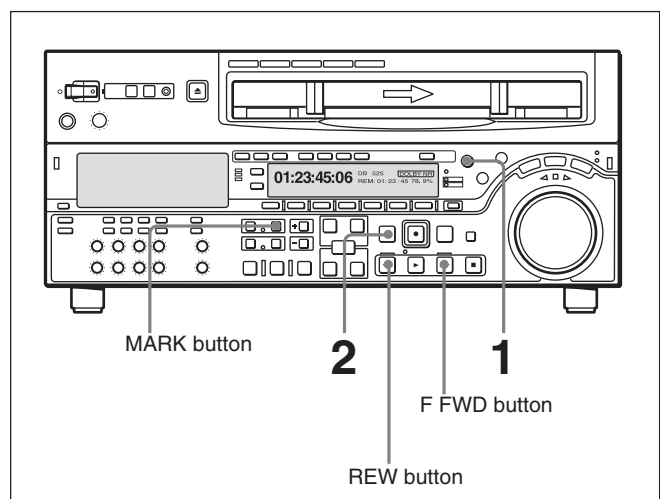
During the erasure process the message “ERASE SHOT MARK” appears, and the REC/ERASE indicator flashes.

- 5 When the shot mark has been erased, close the shot mark list.
- 6 Hold down the MARK button for at least 2 seconds, to turn off the REC/ERASE indicator.

### 6-3-4 Cueing Up to Shot Marks

#### Cueing up to a selected shot mark

Use the following procedure.



- 1 Select the desired shot mark from the shot mark list.
- 2 Press the PREROLL button.

## Cueing up to shot marks adjacent to the current tape position (index function)

- 1 In item G01 of the shot mark operation menu (page 6-2), select one of recording start mark, shot mark 1, shot mark 2, and post mark, or select all.
- 2 Holding down the MARK button, press the F FWD button or REW button.

While the tape is moving the F FWD button or REW button flashes.

When the shot mark is detected, its type is displayed in time data display area 2 on the lower control panel and in the character information display on the monitor screen.

For details of character information display on the monitor screen, see F4 (CHARA) in function menu page 4 (page 11-7) and setup menu item 005 (page 12-5).

### Note

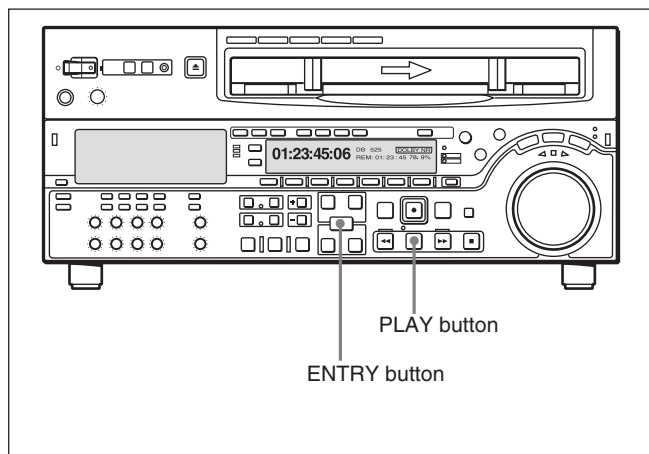
You cannot use the above procedure to cue up to a virtual shot mark.

## 6-3-5 Reading In Shot Data

When there is shot data (time, device, and other information about the shooting) written on the tape, you can read it in and display it on the monitor.

### Displaying the shot data

Holding down the ENTRY button, press the PLAY button.



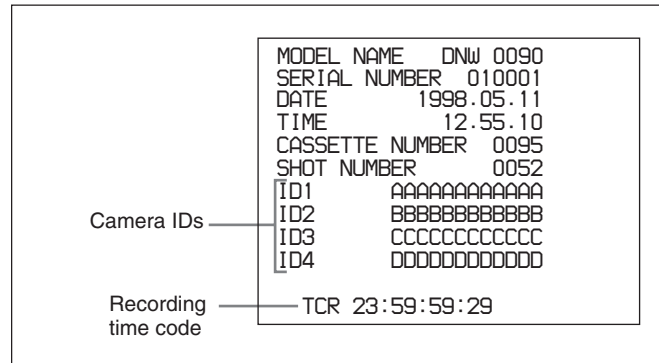
The tape is played back, and the shot data displayed.

### To delete the shot data

Once again hold down the ENTRY button, and press the PLAY button.

### Example of shot data display

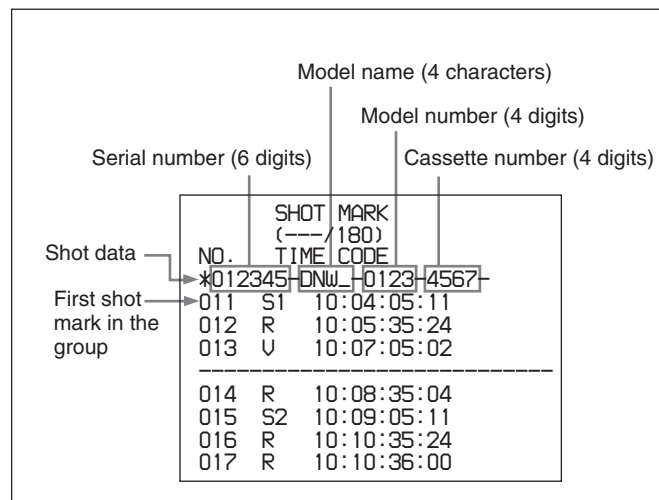
The shot data display appears as shown below.



The details in the shot data depend on the shooting conditions. If because of the devices used there is no shot data on a part of the tape, it appears as blank.

### Displaying the shot data on the shot mark list

Turn the MULTI CONTROL knob to position the cursor on a separator in the shot mark list. If there is shot data recorded when the immediately following shot mark was written, it appears in the display as shown below.



You can sort the shot marks in the list, based on the shot data. For details, see the next section.

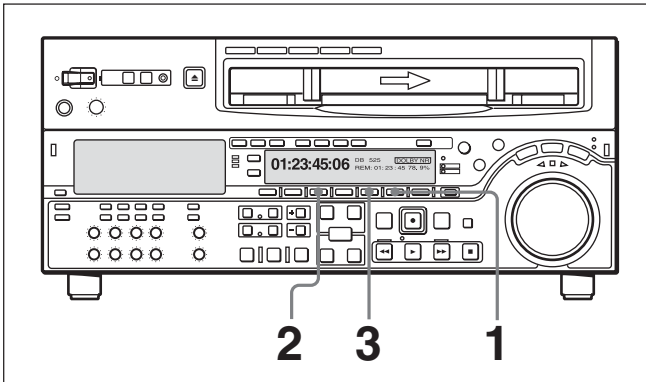
## 6-3 Shot Mark Operations

### 6-3-6 Sorting Shot Marks

Based on shot data recorded on the tape, you can separate the shot marks by cassette, and sort them in time code sequence.

#### To sort the shot marks

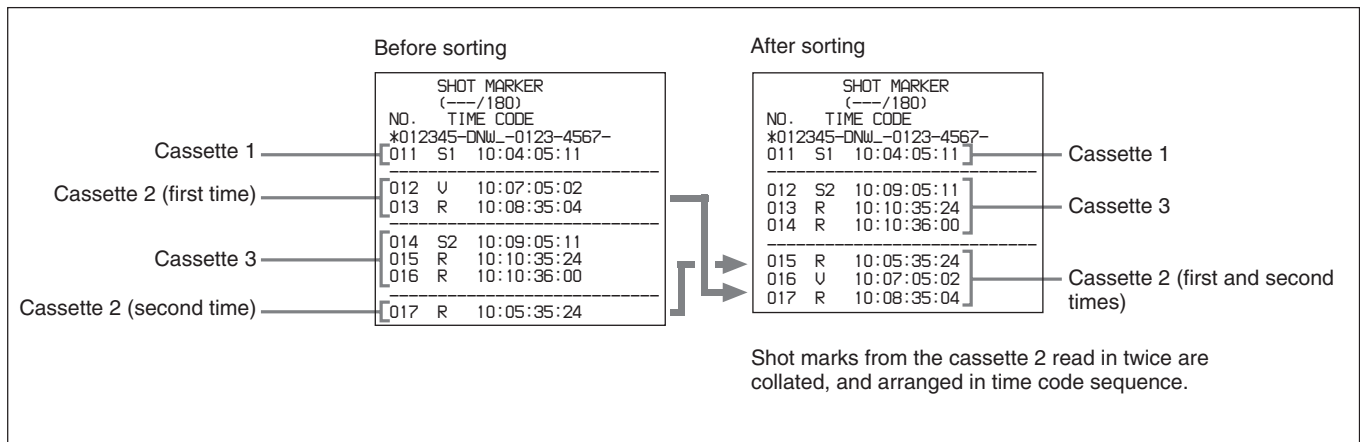
Use the following procedure.



- 1** With the shot mark list displayed, press the F5 (SETTING) button.
- 2** Press the F2 (NEXT) button, and select SORTING LIST.
- 3** Press the F4 (ON) button to change the setting to ON.

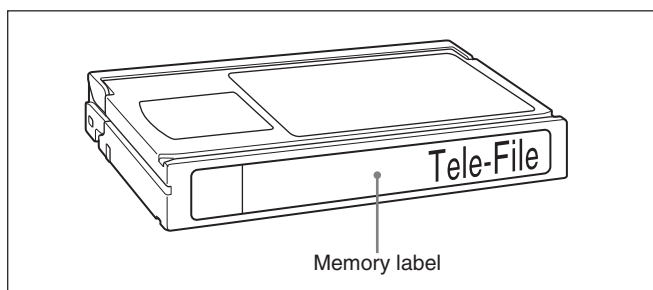
Sorting starts. When it ends, the setting indication returns to OFF.

For example, if shot marks have been read in twice from the same cassette, these can be collated as shown in the following figure.



## 7-1 Overview of Tele-File Functions

Tele-File is a non-contact data carrier system. Tele-File increases the efficiency of data management and operations such as recording, playback, and editing by enabling information to be exchanged between VTRs with data reading and writing functions and cassettes with Tele-File labels.



### Newly developed IC

The Tele-File system employs a newly developed memory IC with the following features.

- **Thin design:** With a thickness of 0.5 mm, the IC can be attached to cassettes as a memory label.
- **Memory capacity:** 1 KB (user area, rewritable)
- **Data transfer speed:** 100 kbps
- **Security functions:** Reading and writing authorization can be controlled through multiple passwords and permission settings.

### Data management in clip units

In Tele-File, data is managed in units called “clips.” A clip consists of the following data items, whose settings can be displayed and changed.

- Cue point
- Write protect
- Mark
- Recording start point
- IN point
- OUT point
- Take number
- Cut number
- Scene number
- Comment

### Data library management with handy reader/writer

An optional handy reader/writer (supporting Memory Stick) is available to facilitate data library management.

# 7-2 Opening the Tele-File Menu

## To open from the function menu

Display page 5 of the function menu in the menu display section, and then press the F1 (TELE-F) button.

The Tele-File menu opens.

*For details about the function menu, see Chapter 11 “Function Menu” (page 11-1).*

## To open automatically

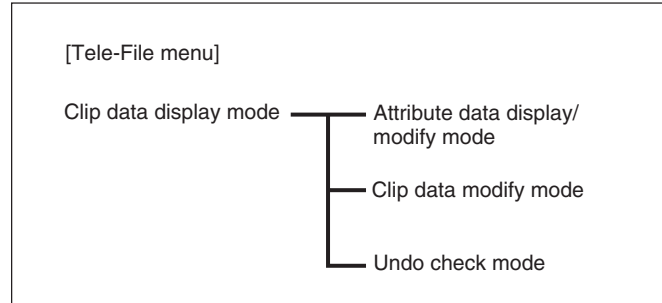
When setup menu item 134 is set to ON, and when the current function menu page is HOME, HOME2, or page 1 to page 5, the Tele-File menu opens automatically whenever a Tele-File label is detected on a cassette loaded into the VTR.

*For details about setup menu item 134, see Section 12-4 “Items in the Extended Setup Menu” (page 12-8).*

## Configuration of the Tele-File menu

The Tele-File menu has a tree structure, as illustrated below.

When the menu first opens, the menu operation mode is clip data display mode.



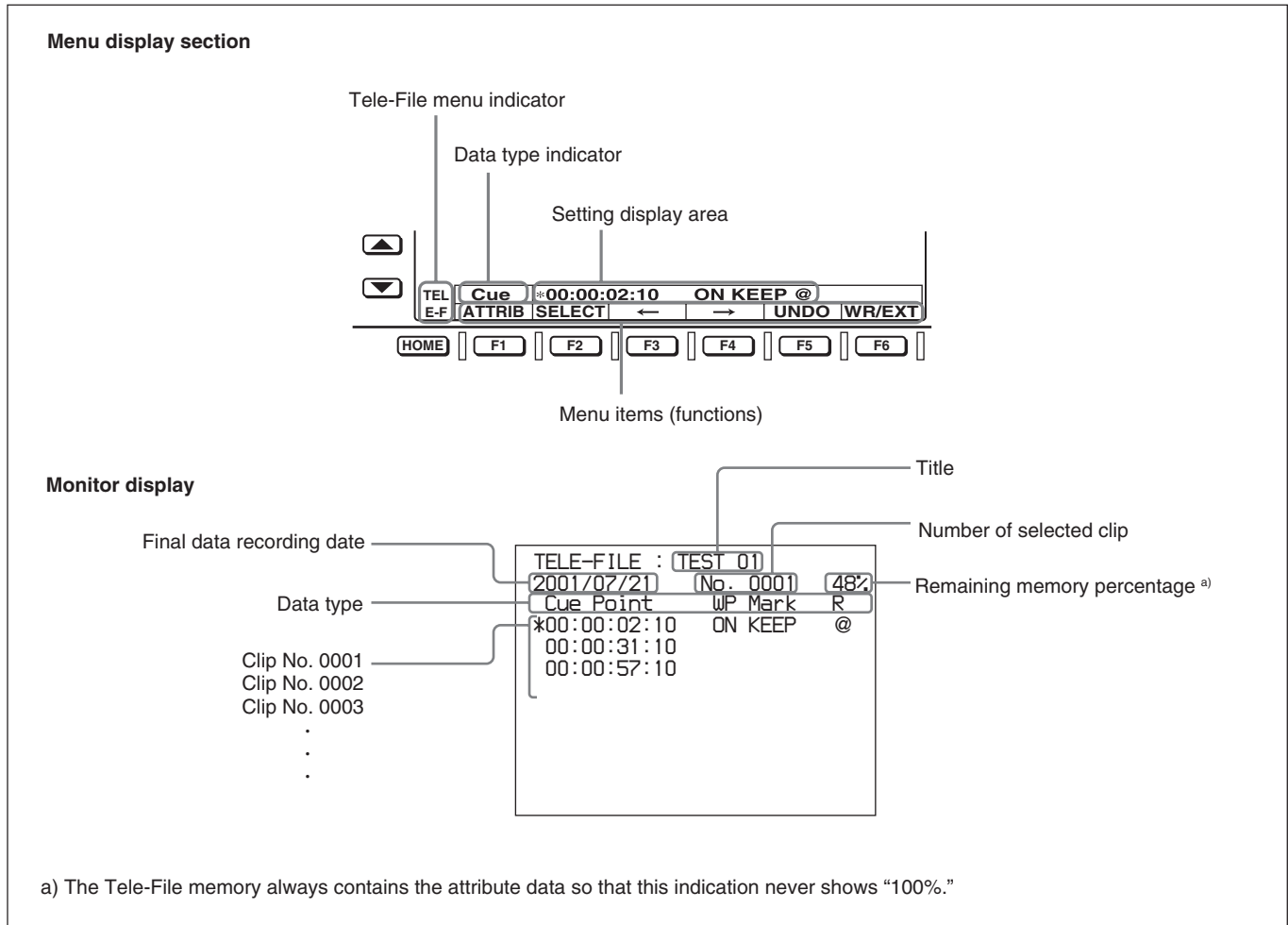


# 7-3 Tele-File Menu

## 7-3-1 Clip Data Display

Shown below are examples of the default menu displays in the menu display section and the monitor display.

For more information about how to display menus on the monitor, see the section "To display menus on the monitor" (page 12-2).



### Tele-File menu indicator

Indicates that the menu display section is currently displaying the Tele-File menu.

### Data type indicator

Indicates the type of data selected with the clip data display mode. There are the following types.

**Cue:** Cue point

**Protct:** Write protected

**Mark:** Mark

**R-Strt:** Recording start point

**IN:** IN point

**OUT:** OUT point

**Take:** Take number

**Cut:** Cut number

**Scene:** Scene number

**Comnt:** Comment

## 7-3 Tele-File Menu

### Setting display area

Displays the setting of the currently selected data type, and a cursor (“\*” or “>”).

The meaning of the cursor symbols is as follows:

- \*: Indicates that the mode is clip data display mode or attribute data display/modify mode, and that data is selected.
- >: Indicates that the mode is clip data modify mode or attribute data display/modify mode, and prompts for data entry or modification.

### Menu items (functions)

Display menu items (functions).

These are common for all of the data items in clip data display mode. The function assignments for each item are as follows.

Clip data display mode menu items

| Item name   | Function  |
|-------------|---|
| F1 (ATTRIB) | Selects attribute data display/modify mode.<br><i>For details about attribute data display/modify mode, see Section 7-3-5 “Displaying and Modifying Attribute Data” (page 7-11).</i>  |
| F2 (SELECT) | Selects a data modification mode for the data selected in the clip. The cursor changes from “*” to “>”.<br><br><b>Note</b><br>In the following cases, the SELECT item does not appear, and it is not possible to select a data modification mode. <ul style="list-style-type: none"> <li>• When setup menu item 133 is set to REMOTE</li> <li>• When the memory label itself is write protected</li> </ul> <i>For more information about clip data modifications, see Section 7-3-3 “Modifying Clip Data” (page 7-7).</i> |
| F3 (←)      | Selects data in a clip.<br>With each press, the “*” cursor moves to select the previous data item. The display scrolls to the left when the cursor moves to data that is not currently displayed.   |
| F4 (→)      | Selects data in a clip.<br>With each press, the “*” cursor moves to select the next data item. The display scrolls to the right when the cursor moves to data that is not currently displayed.  |
| F5 (UNDO)   | Selects undo check mode. This button appears and is enabled when data has been modified after being read from the Tele-File label.<br><i>For more information about undo check mode, see Section 7-3-4 “Undo/Resume Functions” (page 7-10).</i>   |
| F6 (WR/EXT) | Writes data and exits from the Tele-File menu (return to function menu page 5).   |

### Note

If you attempt to change clip data that is write-protected, the message “PROTECTED CLIP!” appears, and it is not possible to change the data. Remove the write-protect setting (*see page 7-9*).

**Title**

The title (maximum 14 characters) set in attribute data display/modify mode.

**Selected clip number**

A 4-digit number representing the number of the selected clip (with the "\*" cursor).

**Remaining memory percentage**

The percentage of remaining memory (user area) available for use.

If there is not sufficient free memory, the message << MEMORY FULL!!>> appears (stays lit for three seconds) in time data display area 2 when you attempt to add data.

**Final data recording date**

The data (year/month/day) on which data was most recently recorded.

**Data type**

The data type. The displayed data is the same as the data displayed in the menu display section, but some of the captions are different. There are the following types.

- Cue Point:** Cue point
- WP:** Write protected
- Mark:** Mark
- R:** Recording start point
- IN Point:** IN point
- OUT Point:** OUT point
- Tk:** Take number
- Cut:** Cut number
- Scn:** Scene number
- Comment:** Comment

**Clip data No. 0001...**

Data is displayed for 1 clip per line.  
Clips are assigned continuous numbers, beginning with No. 0001 for the clip on the top line.

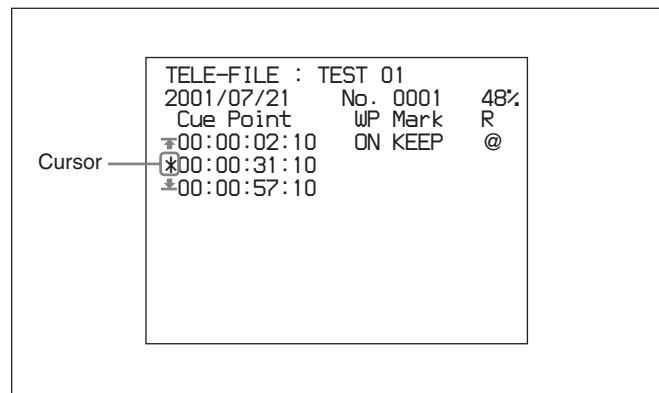
**To select clips**

Rotate the MULTI CONTROL knob in clip data display mode.

The data for the selected clip appears in the menu display section, where it is selected.

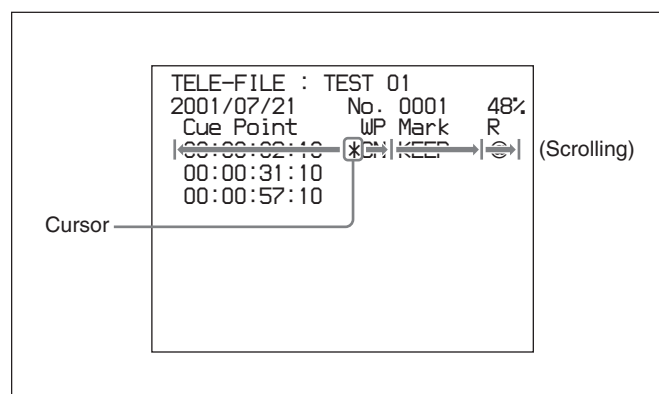
In the monitor display, the "\*" cursor moves up and down as clips are selected.

Data which is not visible is selected and displayed after scrolling.

**To select data in a clip**

In clip data display mode, press the F3 (←) or F4 (→) button.

The "\*" cursor moves and data is selected. Data which is not visible is selected and displayed after scrolling.



## 7-3 Tele-File Menu

---

### Moving the cursor directly

Regardless of the cursor's current position, pressing one of the following buttons moves the cursor directly to the specified position in the same clip and displays the data.

**IN (video IN point) button:** IN point data

**OUT (video OUT point) button:** OUT point data

**MARK button:** Cue point data

### To display the duration

Press the IN (video IN point) and OUT (video OUT point) buttons simultaneously. The cursor moves to the IN point data of the same clip, and the duration appears while the buttons are held down. If there is no IN point or OUT point data, the duration is displayed as 0:00:00:00.

### 7-3-2 Preroll and Cue Up Using Clip Data

In clip data display mode, you can use clip data to preroll and cue up.

### To preroll to the cue point, IN point, or OUT point

- 1 Select a clip.
- 2 Select the cue point, the IN point, or the OUT point.
- 3 Press the PREROLL button.

The unit exits from the Tele-File menu and prerolls to the position of the selected data.

The preroll time is according to the setting of setup menu item 001.

**Note**

The unit does not preroll if there is no data for the selected point.

### To cue up the cue point, IN point, or OUT point

- 1 Select a clip.
- 2 Press the PREROLL button while holding down the IN (video IN point), OUT (video OUT point), or MARK button.

The unit exits from the Tele-File menu and cues up the position of the data selected in step 2 (the cue point position if the MARK button was pressed).

**Note**

The unit does not preroll if there is no data for the selected point.

### 7-3-3 Modifying Clip Data

To modify clip data, put the unit into clip data display mode and then press the F2 (SELECT) button to put it into clip data modification mode (the cursor changes to “>”).

The function assignments for menu items in clip data modification mode are as follows.

Clip data modification mode menu items

| Item name              | Function   |
|------------------------|--|
| F1 (RETURN)            | Returns to clip data display mode.   |
| F2 (MODIFY)            | Changes the setting of the selected data, or makes a new setting.<br>The function button changes according to the data type.<br><i>See the following for more information about how to set the various data types.</i> <ul style="list-style-type: none"> <li>• Cue point, IN point, OUT point: “To set time code data” (page 7-8)</li> <li>• Write protect, mark, recording start point: “To make write protect, mark, and recording start point settings” (page 7-9)</li> <li>• Take number, cut number, scene number: “To make take number, cut number, and scene number settings” (page 7-9)</li> <li>• Comment: “To make comment settings” (page 7-10)</li> </ul> |
| F3 (DELETE)            | Deletes the data setting value. Enabled when cue point, IN point, OUT point, take number, cut number, scene number, or comment data is selected.<br>A confirmation message appears. Press one of the following buttons to confirm or cancel the operation. <ul style="list-style-type: none"> <li>• F1 (CANCEL): Cancels the deletion and returns to clip data display mode.</li> <li>• F2 (OK): Executes the deletion and returns to clip data display mode.</li> </ul>   |
| F4 (DEL LN)            | Deletes the selected clip.<br>A confirmation message appears. Press one of the following buttons to confirm or cancel the operation. <ul style="list-style-type: none"> <li>• F1 (CANCEL): Cancels the deletion and returns to clip data display mode.</li> <li>• F2 (OK): Executes the deletion and returns to clip data display mode.</li> </ul>   |
| F5 (INS LN)            | Inserts a clip at the cursor position.<br>A confirmation message appears. Press one of the following buttons to confirm or cancel the operation. <ul style="list-style-type: none"> <li>• F1 (CANCEL): Cancels the insertion and returns to clip data display mode.</li> <li>• F2 (OK): Executes the insertion and returns to clip data display mode.</li> </ul>   |
| HOME + F4 (DELETE ALL) | Deletes all clips.<br>A confirmation message appears. Press one of the following buttons to confirm or cancel the operation. <ul style="list-style-type: none"> <li>• F1 (CANCEL): Cancels the deletion and returns to clip data display mode.</li> <li>• F2 (OK): Executes the deletion and returns to clip data display mode.</li> </ul>   |

**Note**

If you attempt to change clip data that is write-protected, the message “PROTECTED CLIP!” appears, and it is not possible to change the data. Remove the write-protect setting (*see page 7-9*).

### To add and delete clips

#### To add clips

**1** Rotate the MULTI CONTROL knob to move the “\*” cursor to the position where you want to insert the clip.

**2** Press the F2 (SELECT) button.

The unit enters clip data modification mode.

**3** Press the F5 (INS LN) button.

A confirmation message “INSERT CLIP OK?” appears.

**4** Press the F2 (OK) button.

The clip is added at the position to which you moved the cursor in step **1**.

#### To delete clips

**1** Select the clip to delete.

**2** Press the F2 (SELECT) button.

The unit enters clip data modification mode.

**3** Press the F4 (DEL LN) button.

A confirmation message “DELETE THIS CLIP OK?” appears.

**4** Press the F2 (OK) button.

The clip selected in step **1** is deleted.

### To set time code data

Proceed as follows to make or change settings for cue point, IN point, and OUT point data.

**1** Select a clip.

**2** Select cue point, IN point, or OUT point.

**3** Press the F2 (SELECT) button.

The unit enters clip data modification mode.

**4** Press the F2 (MODIFY) button.

The two most significant digits begin to flash, and the data can be set or modified.

**5** Press the F3 (←) or F4 (→) button until the digit that you want to set starts flashing.

**6** Rotate the MULTI CONTROL knob to make the setting.

#### To display the offset from the previous setting value

The offset is displayed as long as you hold down the F2 (OFFSET) button.

**7** Repeat steps **5** and **6** until you have set all the required digits.

**8** Press the F5 (SET) button.

The setting is confirmed and the unit returns to clip data display mode.

#### To cancel the setting or modification and return to clip data display mode

Press the F1 (CANCEL) button.

---

### To set the set or modified data as other time data

Press the F6 (SET TO) button and select the time data (cue point, IN point, or OUT point), and then press the F5 (SET) or F6 (SET NL) button. The position where the data is set differs as follows, depending on the button pressed.

- **F5 (SET):** The data is set in the selected time data position.
- **F6 (SET NL):** A new clip is added at the lowest line and the time data is set at the selected data position in the new clip.

---

### To make write protect, mark, and recording start point settings

Proceed as follows to make write protect, mark, and recording start point settings.

- 1** Select a clip.
- 2** Select write protect, mark, or recording start point.
- 3** Press the F2 (SELECT) button.

The unit enters clip data modification mode.

- 4** Press the F2 (MODIFY) button.

The data entry area begins to flash, and the data can be set.

- 5** Select the data by pressing the F3 (+) or F4 (-) button or rotating the MULTI CONTROL knob.
- 6** Press the F2 (SET) button.

The data setting is confirmed and the unit returns to clip data display mode.

---

### To make take number, cut number, and scene number settings

Proceed as follows to make take number, cut number, and scene number settings.

- 1** Select a clip.
- 2** Select take number, cut number, or scene number.
- 3** Press the F2 (SELECT) button.

The unit enters clip data modification mode.

- 4** Press the F2 (MODIFY) button.

The most significant digit begins to flash, and the data can be set.

- 5** Press the F3 (←) or F4 (→) button until the digit that you want to set starts flashing.
- 6** Rotate the MULTI CONTROL knob to make the setting.
- 7** Repeat steps **5** and **6** until you have set all the required digits.
- 8** Press the F2 (SET) button.

The setting is confirmed and the unit returns to clip data display mode.

### To make comment settings

Proceed as follows to make comment settings.

- 1 Select a clip.
- 2 Select comment.
- 3 Press the F2 (SELECT) button.

The unit enters clip data modification mode.

- 4 Press the F2 (MODIFY) button.

The data entry area begins to flash, and the data can be set.

- 5 Enter a character by rotating the MULTI CONTROL knob.
- 6 Press F4 (→) button to move to the next character place.
- 7 Repeat steps 5 and 6 until you have entered the entire comment.

#### To delete characters

Press the F3 (←) or F4 (→) button until the character that you want to delete starts flashing, and then press the F5 (DELETE) button.

#### To insert characters

Press the F3 (←) or F4 (→) button until the character place after the place where you want to insert starts flashing, and then press the F6 (INSERT) button.

- 8 Press the F2 (OK) button.

The comment is confirmed and the unit returns to clip data display mode.

### 7-3-4 Undo/Resume Functions

#### Undo function

The undo function cancels all modifications and returns the data to the state it was in when first read. Press the F5 (UNDO) button in clip data display mode. A confirmation message appears. Press the F2 (OK) button to execute the undo and cancel all modifications to the data.

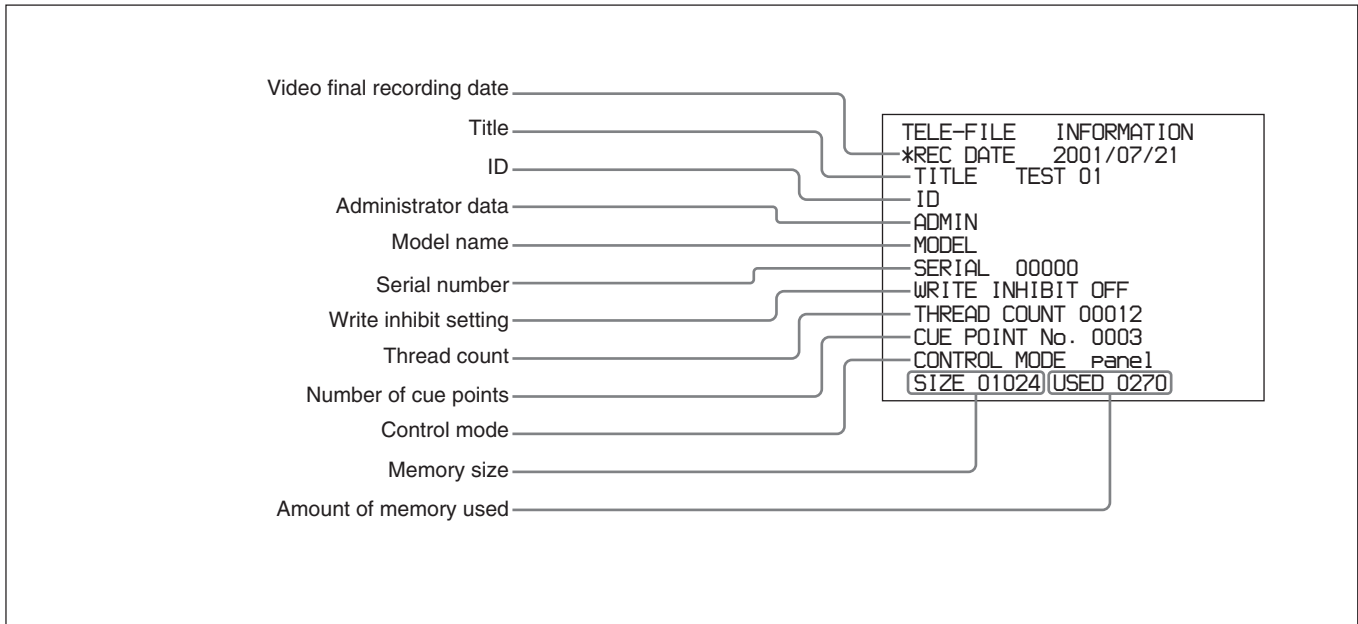
#### Resume function

If you have not modified any data since the last execution of the undo function, you can press the F5 (UNDO) button again. The button functions as a resume button, which cancels the immediately preceding undo. Press the F5 (UNDO) button in clip data display mode. A confirmation message appears. Press the F2 (OK) button to execute the resume and cancel the immediately preceding undo.



## 7-3-5 Displaying and Modifying Attribute Data

You can display and modify attribute data. The example below shows attribute data displayed on the monitor.



### Video final recording date

The most recent date (year/month/day) on which video was recorded on the tape.

### Title

The title (name assigned to Tele-File, etc., maximum 24 characters).  
The title can be modified.

### ID

The ID (unique number assigned to Tele-File, maximum 24 characters).  
The ID can be modified.

### Administrator data

Data about the administrator of the cassette or tape material (maximum 16 characters).  
The administrator data can be modified.

### Model name

The model name of the VTR that recorded most recently to the tape.

### Serial number

The serial number of the VTR that recorded most recently to the tape.

### Write inhibit setting

Whether the entire Tele-File is write inhibited.  
The write inhibit setting can be modified.

### Thread count

The thread count value recorded on the tape.

### Number of cue points

The number of cue points recorded in the Tele-File.  
You can check the cue point values in clip data display mode.

### Control mode

The setting of setup menu item 133.

*For more information about setup menu item 133, see page 12-11.*

### Memory size

The size of the memory in the Tele-File (unit: bytes).

### Amount of memory used

The amount of memory currently being used (unit: bytes).

## 7-3 Tele-File Menu

---

### To modify attribute data

You can modify the title, ID, administrator data, and write inhibit setting attributes.

However, the attributes cannot be modified when the write inhibit setting is ON. Proceed as follows after setting the write inhibit setting to OFF.

- 1 Rotate the MULTI CONTROL knob to select the item.

The F2 (SELECT) button is enabled when you select an item that can be modified (title, ID, administrator data, and write inhibit setting).

- 2 Press the F2 (SELECT) button.

The data can be set or modified.

- 3 Rotate the MULTI CONTROL knob to set or modify the data.

- 4 Press the F2 (SET) button.

The change to the setting is confirmed.

#### Note

In the following cases, the SELECT item does not appear, and it is not possible to select a data modification mode.

- When setup menu item 133 is set to REMOTE
- When the memory label itself is write protected

### To format the Tele-File memory

You can format the Tele-File memory (erase all modifiable data). However, the memory cannot be formatted in the following cases.

- When the write inhibit setting is ON
- When the control protocol is “remote”

To format Tele-File memory, proceed as follows.

- 1 Press the F4 (FORMAT) button.

A confirmation message appears.

- 2 Press the F2 (OK) button.

All modifiable data is erased.

#### Note

In the following cases, the FORMAT item does not appear, and it is not possible to select a data modification mode.

- When setup menu item 133 is set to REMOTE
- When the memory label itself is write protected

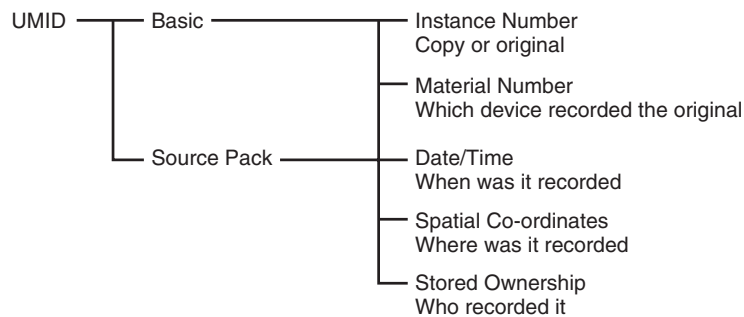
## 8-1 Overview of UMID Functions

The UMID (Unique Material Identifier) is a type of meta-data in video and audio materials. It has been internationally standardized in SMPTE Standard 330M. This unit supports recording and generation of UMIDs.

The UMID is made up of a section called the “Basic” section and a section called the “Source Pack” section. The Basic section contains information such as the

device that recorded the material and whether the material is the original or a copy. The Source Pack section contains information about when/where/who recorded the material.

A UMID with a Basic section only is called a Basic UMID. A UMID with both Basic and Source Pack sections is called an Extended UMID. The following figure shows a general overview of the information contained in a UMID.



## 8-2 Recording UMIDs

UMIDs can be recorded when recording video signals with this unit. You can select whether to inherit (copy) the UMID contained in input signals, or automatically or forcibly generate a new UMID.

---

### Selecting the type of UMID to record

Select whether to record a Basic UMID or an Extended UMID by using setup menu item 655 UMID RECORDING.

*See page 12-18 for more information about setup menu item 655.*

---

### Selecting whether to inherit or generate the UMID

When recording a UMID, you can select whether to inherit (copy) the UMID contained in input signals, or generate a new UMID. Make this selection by using setup menu item 656 MATERIAL NO.

*See page 12-19 for more information about setup menu item 656.*

---

### Selecting the Instance Number generation method when inheriting UMIDs

If you choose to inherit the UMID contained in input signals, almost all of the information in the UMID is copied without change, but the Instance Number changes to a value which indicates that “this UMID is a copy”. The new value can be generated from a 16-bit pseudo-random number with the addition of the number of copies (1 byte), or it can be generated from a 24-bit pseudo-random number. Select the method used to generate the Instance Number by using setup menu item 654 UMID GENERATE METHOD.

*See page 12-18 for more information about setup menu item 654.*

---

### Selecting the SDI VANC line to insert the UMID

You can select the VANC <sup>1)</sup> line into which the generated UMID should be inserted. Make this selection by using setup menu item 652 UMID SD VANC LINE.

*See page 12-18 for more information about setup menu item 652.*

#### Note

UMID data in the input signal may not be readable if the line where UMID data is inserted into SDI input signals is the same as the line where this unit inserts VITC (setup menu item 601 (page 12-16) and setup menu item 602 (page 12-16)), or if that line is subject to blanking (setup menu item 723 (page 12-24)). In cases like these, change the setup menu settings.

To avoid the above situation, the following settings are recommended.

- For setup menu item 652, chose a line that is different from the lines chosen for setup menu items 601 and 602.
- Do not use setup menu item 723 (page 12-24) to blank the line chosen for setup menu item 652.

---

### To set Stored Ownership

If you wish to set Stored Ownership (data in the Source Pack which indicates “who”) when generating a UMID, call up item 029 STORED OWNERSHIP in the setup menu and proceed as follows.

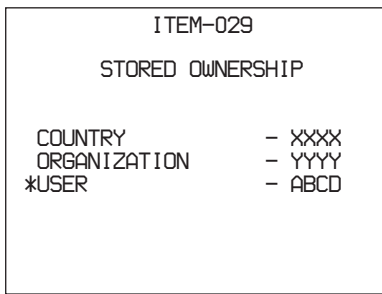
*See Section 12-2 “Setup Menu Operations” (page 12-2) for more information about basic setup menu operations.*

- 1 Set setup menu item 029 to “on” and press the F5 (SET) button.

The Stored Ownership setting screen appears. (The following figure shows the monitor screen.)

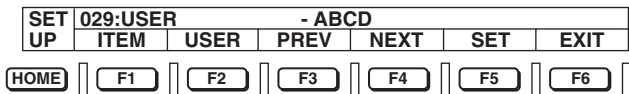
---

1) VANC: Vertical ancillary (data)



- Press the F3 (PREV) and F4 (NEXT) buttons to select the item you want to set (COUNTRY, ORGANIZATION, or USER).

The selected item (example: USER) is shown in F2.



- Press the F2 (USER) button.
  - The content of the setting is a character string (in this example “ABCD”). Select any character to change in the string by pressing the F3 (PREV) and F4 (NEXT) buttons.
- The selected character flashes.
- Rotate the MULTI CONTROL knob to display the desired character in the position of the flashing character.
  - Repeat steps 4 and 5 for all of the characters that you want to change.
  - If you do not want to change the other items (COUNTRY and ORGANIZATION), proceed to step 8.
    - If you want to change the other items, press the F1 (ITEM) button and proceed as in steps 2 to 6.

- Press the F5 (SET) button.

The changed settings are confirmed.

### To cancel changes and exit the setup menu

Press the F6 (EXIT) button.

## Time zone settings

The UMID uses the UTC (Coordinated Universal Time) time standard. Setting this unit’s built-in calendar clock to the local time, and then setting a time zone to indicate the difference from global UTC standard time allows correct UMIDs to be generated. To set the time zone, display the HOME page of the function menu and proceed as follows.

See Section 11-1-2 “Using the Function Menu” (page 11-2) for more information about function menu operations.

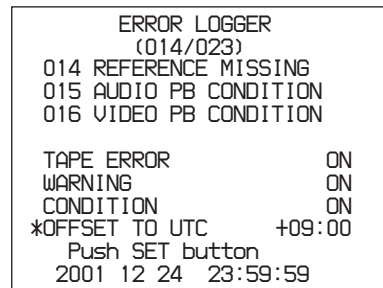
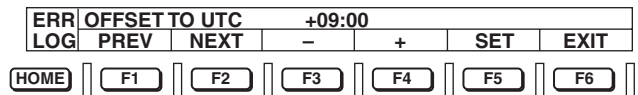
- With the ENTRY button in the editing control section held down, press the F5 (MENU) button.

The error logger screen appears.

Refer to the Maintenance Manual Volume 1 for more information about the error logger.

- Press the F5 (SET) button.

The OFFSET TO UTC item appears.



- Press the F1 (PREV) and F2 (NEXT) button to select the OFFSET TO UTC item, and use the MULTI CONTROL knob or the F3 (-) and F4 (+) buttons to set the offset to UTC time. For example, if the local time is 9 hours in advance of UTC, set to “+9:00”.
- Press the F5 (SET) button.

This makes the setting effective.

# 8-3 UMID Output and Display

This section explains how to output and display UMIDs.

## 8-3-1 UMID Output Settings

You can choose to output UMIDs or not, and select either Basic UMID or Extended UMID when you choose to output UMIDs. Make these settings using setup menu item 651 UMID OUTPUT.

See page 12-18 for more information about setup menu item 651.

## 8-3-2 UMID Display

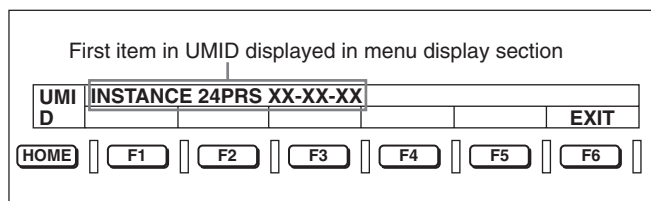
During recording and playback, UMID data appears in the menu display section of the control panel and on the video monitor.

### To display the UMID

In function menu page 5, press the F2 (UMID) button.

See Section 11-1-2 "Using the Function Menu" (page 11-2) for more information about function menu operations.

The UMID appears in the menu display section of the control panel and on the video monitor.



See the next section "UMID display on the video monitor" for examples of the UMID displayed on the video monitor.

### To switch the displayed UMID item in the menu display section

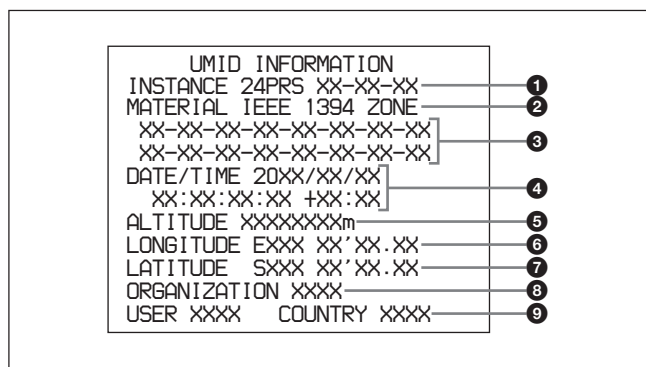
Rotate the MULTI CONTROL knob.

### To exit from UMID display

Press the F6 (EXIT) button.

## UMID display on the video monitor

The video monitor connected to the COMPOSITE VIDEO OUTPUT 3 (SUPER) connector or the SDI OUTPUT 3 (SUPER) connector on the connector panel displays all UMID items at once. The display of each line is explained below.



### 1 Instance Number generation method and Instance Number

The generation method is displayed as follows.

- CP+16:** "16-bit PRS (pseudo-random sequence) +Copy No." method
- 24PRS:** 24-bit PRS method
- others:** Other than the above

### 2 Material Number generation method

- SMPTE:** SMPTE method
- IEEE 1394 ZONE:** IEEE 1394 ZONE method
- IEEE 1394 RND:** IEEE 1394 RND method
- others:** Other than the above

### 3 Material Number

The material number is displayed in hexadecimal across two lines.

The following items, 4 through 9, are contained in the Source Pack.

### 4 Date/Time

Date/Time data is displayed across two lines. The upper line shows the MJD (Modified Julian Date) contained in the Source Pack, converted to UTC. The lower line shows the data in unit count format (hours : minutes : seconds : frame) converted to UTC.

## Note

The function for converting unit count to UTC works only when the unit rate is 2 (24 frames), 3 (24/1.001 frames), 4 (25 frames), 6 (30 frames), or 7 (30/1.001 frames). For other unit rates, the unit rate number and unit rate are displayed in hexadecimal.

## 5 Altitude

**XXXXXXXXm:** Altitude data indicating the distance from the center of the earth is displayed in this format.

**S+XXXXXXXXm Y+D:** Altitude data indicating the distance from sea level is displayed in this format. The meaning of the characters and strings shown is as follows.

- “S” (1st character): Indicates data from a Sensor. “R” is shown for position data from the recording device (Recorder), and “T” is shown for Target position data.
- “+” (2nd character): Indicates higher than sea level. “-” indicates lower than sea level.
- “XXXXXXXXm” : Altitude data (unit meters).
- “Y”: The number of satellites used to calculate position data (hexadecimal).
- “D”: DOP (dilution of precision) value.
- “+” (between Y and D): Displayed when a supportive apparatus was used. A space (blank) is displayed when no supportive apparatus was used.

## 6 Longitude

Following “W” to indicate west longitude or “E” to indicate east longitude, the longitude is displayed in degrees, minutes, and seconds (seconds are shown up to 2 decimal places).

Example: “E134 59’23.00” for “East longitude 134 degrees 59 minutes 23.00 seconds”

## 7 Latitude

Following “N” to indicate north latitude or “S” to indicate south latitude, the latitude is displayed in degrees, minutes, and seconds (seconds are shown up to 2 decimal places).

Example: “N34 59’23.32” for “North latitude 34 degrees 59 minutes 23.32 seconds”

## 9-1 Overview of Essence Mark Functions

An essence mark uses a term value dictionary item as defined in the SMPTE RP210A Metadata Dictionary to express and transfer points such as recording start points and edit point candidates in up to 32 bytes of data.

The basic format of the SMPTE RP210A Metadata Dictionary is defined in SMPTE 336M Data Encoding Protocol using Key-Length-Value (KLV coding specifications).



# 9-2 Essence Mark Recording and Output

## 9-2-1 Essence Mark Recording

Essence marks contained in SDI input signals and essence marks generated by this unit can be recorded to tape together with video signals.

All essence mark data generated by this unit is 7-bit ASCII codes. The generation period is 1 frame.

### Selecting the SDI VANC line into which to insert essence marks

You can select the SDI signal VANC line into which essence marks should be inserted. Make this selection using setup menu item 660 ESSENCE MARK SD VANC LINE.

*See page 12-19 for more information about setup menu item 660.*

#### Note

Essence mark data in the input signal may not be readable if the line where Essence mark data is inserted into SDI input signals is the same as the line where this unit inserts VITC (setup menu item 601 (page 12-16) and setup menu item 602 (page 12-16)), or if that line is subject to blanking (setup menu item 723 (page 12-24)). In cases like these, change the setup menu settings.

To avoid the above situation, the following settings are recommended.

- For setup menu item 660, chose a line that is different from the lines chosen for setup menu items 601 and 602.
- Do not use setup menu item 723 (page 12-24) to blank the line chosen for setup menu item 652.

### Selecting whether to record essence marks contained in input video signals

You can select whether or not to record essence mark data contained in input video signals. Make this selection using setup menu item 661 ESSENCE MARK INPUT RECORD.

*See page 12-20 for more information about setup menu item 661.*

### Selecting whether to record generated essence marks

You can select whether or not to record generated essence mark data when you record video signals with this unit. Make this selection using setup menu item 662 ESSENCE MARK SELF RECORD.

*See page 12-20 for more information about setup menu item 662.*

## 9-2-2 Essence Mark Output

Essence marks can be output to SDI signals when playing back a tape. Information such as shot marks recorded on the tape can also be converted into essence marks and output.

### Selecting whether to output essence marks

You can select whether or not to output essence marks when you play back a tape. Make this selection using setup menu item 657 ESSENCE MARK TAPE OUTPUT.

*See page 12-19 for more information about setup menu item 657.*

### Outputting shot marks converted into essence marks

You can select whether or not to convert shot marks recorded on a tape into essence marks for output when you play back the tape. Make this selection using setup menu item 658 SHOT MARK ESSENCE MARK CONVERT.

*See page 12-19 for more information about setup menu item 658.*

## 10-1 Overview of Auto Event Detector Functions

The Auto Event Detector (AED) detects locations where video signals show large changes (cuts), and locations where the video suddenly becomes brighter for a short period (flash).

Detected events can be converted into essence marks and output. The time code of detected events can be recorded in a Tele-File label.

*See Chapter 9 for more information about essence marks, and see Chapter 7 for more information about the Tele-File functions.*

The Auto Event Detector function works for all tapes that can be played back by this unit.

### Note

Events are output about 3 frames after the actual locations of the events.

## 10-2 Event Output and Recording

### Outputting events converted into essence marks

You can select whether or not to convert into essence marks and output events detected by the AED during playback (normal playback, variable speed playback, and jog playback). Make this selection using setup menu item 659 AED ESSENCE MARK CONVERT.

*See page 12-19 for more information about setup menu item 659.*

### Recording event marks in a Tele-File label

The time code of cut events detected by the AED can be written to a Tele-File label.

### To write the time code of cut events to a Tele-File label

With the ENTRY button in the editing control section held down, press the VAR button in the search control section. The tape starts to run in the forward direction at a high speed where noiseless playback is possible, and events detected by the AED are written to a Tele-File label as cue data.

To stop the writing to the Tele-File label, press the STOP button or do something else to change the play mode.

### Notes

- Writing stops automatically if the Tele-File memory becomes full.
- Make sure that the Tele-File label is writable, for example by removing write protection if it is applied.

## 11-1 Overview of the Function Menu

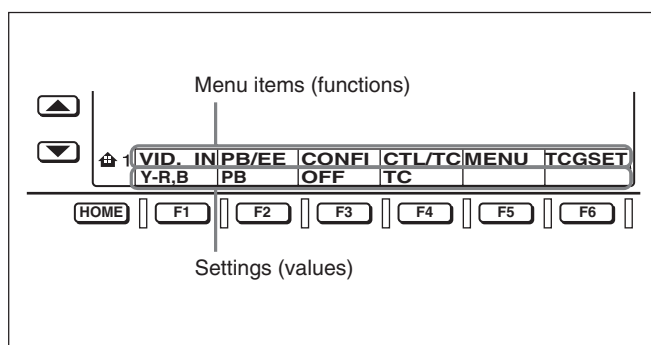
The function menu allows you to make frequently made settings, such as selection of input video signals and time code settings.

### 11-1-1 Function Menu Configuration

The function menu consists of six pages by factory default: the HOME page and five pages numbered 1 to 5. You can also display the HOME2 page by setting user-defined function keys. The following icons appear at the left edge of the menu display section to denote the current page.

- 🏠 1: HOME page
- 📄 1: Page 1
- 📄 2: Page 2
- 📄 3: Page 3
- 📄 4: Page 4
- 📄 5: Page 5
- 📄 6: Page 6
- 🏠 2: HOME 2 page

Each page has a menu display section made up of an upper and lower part. The upper part displays the menu items (functions) in the page, and the lower part displays the menu item settings. The figure below shows the menu display section in the HOME page.



In the figure above, Y-R,B (analog component signals) is selected as the setting for VID.IN, the menu item for button F1. This manual refers to this as “F1 (VID.IN) in function menu HOME page is set to Y-R,B.”

### HOME2 page (user-defined function keys)

Up to six function keys can be defined (i.e. six functions can be assigned to the F1 to F6 buttons in the HOME2 page).

You can select and define the following function keys:

- Functions selected from the function menu items in the HOME page and menu pages 1 to 4
- Function key to display the setting for setup menu item 211 (REMOTE1 PORT) and to carry out the operation when the menu item setting is “panel”.

#### Note

By factory default, no function keys are defined in the HOME2 page.

It is not possible to display the HOME2 page unless you have defined at least one function key in that page.

*For details on defining user-defined function keys in the HOME2 page, refer to the Maintenance Manual Volume 1.*

### Page 6

You can define up to six setup menu items (assign six setup menu items to the F1 to F6 buttons) and register them on page 6.

#### Note

There is nothing defined on page 6 when the unit is shipped from the factory.

*For more information about defining setup menu items for page 6, refer to the Maintenance Manual Volume 1.*

## 11-1 Overview of the Function Menu

---

### 11-1-2 Using the Function Menu

---

#### To change a menu item setting

To change a menu item setting, press the corresponding function button (F1 to F6) to display the desired setting in the lower part of the menu display. Each press of the button displays the next setting.

#### When a menu item setting flashes

Menu item settings flash to inform you that you can change the setting value by rotating the MULTI CONTROL knob.

#### To change the function menu page

Press either of the page buttons (▼, ▲).

- The ▼ button selects the next page in the order HOME → 1 → 2 → 3 → 4 → 5 → 6 → HOME...
- The ▲ button selects the next page in the order HOME → 6 → 5 → 4 → 3 → 2 → 1 → HOME...

With one of menu pages 1 to 6 displayed, pressing the HOME button changes the page to the HOME page. Pressing the HOME button when the HOME or HOME2 page is displayed changes the page to HOME2 or HOME, respectively.

#### Settings which do not appear in the menu display section

In the HOME page (*see the figure in Section 11-1-1 “Function Menu Configuration”*), the settings for F5 (MENU) and F6 (TCGSET) do not appear in the menu display. When you press the F5 or F6 button, the whole menu page changes to allow you to set these items.

## 11-2 Function Menu Item List

The function menu has the following items.

### HOME page

| Item        | Setting  |
|-------------|--|
| F1 (VID.IN) | <p>Selects the input video signal.</p> <p><b>COMPST:</b> Analog composite signal</p> <p><b>Y-R,B:</b> Analog component signal</p> <p><b>SDI:</b> SDI signal</p> <p><b>SG (normally not displayed):</b> Test signal from the internal test signal generator (<i>For details, see setup menu item 710 on page 12-22.</i>)</p>  |
| F2 (PB/EE)  | <p>Selects the video and audio signals output during fast forward, rewind, stop, and standby.</p> <p><b>PB:</b> Playback signals</p> <p><b>EE:</b> E-E mode signals</p>  |
| F3 (CONFI)  | <p>Selects whether or not to use the CONFI playback function when recording.</p> <p><b>ENABLE:</b> Use the CONFI playback function. (The CONFI indicator lights in the time data display.)</p> <p><b>DISABL:</b> Do not use the CONFI playback function.</p>   |
| F4 (CTL/TC) | <p>Selects the time data to display in time data display area 1 (<i>see page 2-7</i>).</p> <p><b>TC:</b> Playback time code read by the internal time code reader, or recording time code. The LTC or VITC time data type indicator (<i>see page 2-7</i>) lights.<sup>a)</sup></p> <p><b>UB:</b> User bits data of playback time code or recording time code. The LUB or VIUB time data type indicator lights, depending on whether the time code is LTC or VITC.<sup>a)</sup></p> <p><b>CTL:</b> The running time of the tape being played back or recorded, as calculated from a count of CTL signals recorded on the tape. The time is displayed in Hours: Minutes: Seconds: Frames format.</p> |
| F5 (MENU)   | <p>Puts the system into setup menu mode (<i>see Chapter 12</i>).</p> <p>When the current setup menu settings are the same as the contents of any of menu banks 1 to 4, or the factory defaults, the corresponding indication (1), (2), (3), or (dflt) appears.</p> <p><b>(1):</b> Same as menu bank 1.</p> <p><b>(2):</b> Same as menu bank 2.</p> <p><b>(3):</b> Same as menu bank 3.</p> <p><b>(4):</b> Same as menu bank 4.</p> <p><b>(dflt):</b> Same as factory defaults.</p>   |
| F6 (TCGSET) | <ul style="list-style-type: none"> <li>• When F4 (CTL/TC) is set to TC, a screen appears that allows you to set the initial value of the time code generated by the internal time code generator (<i>see page 4-3</i>).</li> <li>• When F4 (CTL/TC) is set to UB, a screen appears that allows you to set the time code user bits (<i>see page 4-3</i>).</li> </ul>  |

a) The selection of LTC or VITC depends on the setting of F6 (TCR) in function menu page 1.

## 11-2 Function Menu Item List

### Page 1

| Item      | Setting  |
|-----------|--|
| F1 (TCG)  | <p>Selects the time code to use.</p> <p><b>INT:</b> Time code generated by the internal time code generator</p> <p><b>EXT:</b> One of the following time codes</p> <ul style="list-style-type: none"> <li>• When F6 (TCR) is set to LTC or AUTO, the external time code input from the TIME CODE IN connector</li> <li>• When F6 (TCR) is set to VITC, the VITC time code of the input video signal</li> </ul> <p><b>RP188:</b> Synchronize the internal time code generator with the SMPTE RP188 time code contained in the SDI input signal.</p> <p><b>Note</b><br/>If you set this menu item to RP188 when F1 (VID.IN) in the HOME page is not set to SDI or when no SDI input is present, the menu setting display “RP188” flashes as a warning. Nevertheless, the unit operates in compliance with the setting of this menu item.</p> |
| F2 (TCG)  | <p>For the internal time code generator, selects one of the following.</p> <p><b>PRESET:</b> Preset the initial value of time code generated by the internal time code generator by a control panel operation, or by remote control from the device connected to the REMOTE1-IN(9P) connector.</p> <p><b>REGEN:</b> Synchronize the internal time code generator with the playback time code read by the internal time code reader.</p>  |
| F3 (RUN)  | <p>Selects one of the following running modes for the internal time code generator.</p> <p><b>FREE:</b> The time code continues to increase as long as the unit is powered on, regardless of the unit's operating mode.</p> <p><b>REC:</b> Time code increases during recording only. If you select this mode, you should also set F1 (TCG) to INT, and set F2 (TCG) to PRESET.</p>  |
| F4 (DF)   | <p>In 525-line mode, selects either drop-frame mode or non-drop frame mode for the time code generator and the CTL counter.</p> <p><b>DF:</b> Drop-frame mode</p> <p><b>NDF:</b> Non-drop frame mode</p>   |
| F5 (VITC) | <p>Specifies whether or not to record the VITC generated by the internal time code generator.</p> <p><b>ON:</b> Record internally generated VITC.</p> <p><b>OFF:</b> Do not record internally generated VITC.</p>  |
| F6 (TCR)  | <p>Selects the type of time code to display in the time data display.</p> <p><b>LTC:</b> Display LTC.</p> <p><b>AUTO:</b> Display VITC when tape speed is 1/2 or less of normal speed, and LTC otherwise.</p> <p><b>VITC:</b> Display VITC.</p>  |

## Page 2

| Item   | Setting  |
|--|--|
| F1 (V.PROC)  | <p>Selects the control method for the internal digital video processor.</p> <p><b>LOCAL:</b> Change the settings of the internal digital video processor by using this function menu.</p> <p><b>REMOTE:</b> Use the optional BVR-50/50P Remote Control Unit to control the internal digital video processor.</p> <p><b>MENU:</b> Change the settings of the internal digital video processor by using the MENU of the HOME page.</p>                   |
| F2 (VIDEO)   | <p>Sets the video signal output level (<math>-\infty</math> to +3 dB).</p> <p><b>PRESET:</b> Regardless of manually values, the video signal is set to the standard level.</p> <p><b>Manual setting:</b> With the displayed setting flashing, you can rotate the MULTI CONTROL knob to adjust the value for the video signal output level.</p>   |
| F3 (CHROMA)  | <p>Sets the chroma signal output level (<math>-\infty</math> to +3 dB).</p> <p><b>PRESET:</b> Regardless of manually set values, the chroma signal is set to the standard level.</p> <p><b>Manual setting:</b> With the displayed setting flashing, you can rotate the MULTI CONTROL knob to adjust the value for the chroma signal output level.</p>  |
| F4 (HUE) (525-line mode)/<br>(C PHAS) (625-line mode)  | <p>Sets the color phase (phase relative to burst)</p> <p><b>PRESET:</b> Regardless of manually set values, the color phase is set to the standard value.</p> <p><b>Manual setting:</b> With the displayed setting flashing, you can rotate the MULTI CONTROL knob to adjust the value across the range <math>\pm 30^\circ</math>.</p>  |
| F5 (SETUP) (525-line mode)/<br>(BLACK) (625-line mode) | <p>Sets the setup level (525/60 mode) or black level (625/50 mode)</p> <p><b>PRESET:</b> Regardless of manually set values, the level is set to the standard value.</p> <p><b>Manual setting:</b> With the displayed setting flashing, you can rotate the MULTI CONTROL knob to adjust the setup level across the range <math>\pm 30</math> IRE (525/60 mode) or to adjust the black level across the range <math>\pm 210</math> mV (625/50 mode).</p> |
| F6 (YC DLY) (DVW-M2000/M2000P only)                    | <p>Sets amount of Y/C delay.</p> <p><b>PRESET:</b> Regardless of manually set values, the Y/C delay is to the standard value.</p> <p><b>Manual setting:</b> With the displayed setting flashing, you can rotate the MULTI CONTROL knob to adjust the Y/C delay across the range <math>\pm 100</math> ns.</p>   |

## 11-2 Function Menu Item List

### Page 3

| Item        | Setting  |
|-------------|--|
| F1 (SYNC)   | <p>Sets the output signal sync phase.</p> <p><b>Setting method</b></p> <p>With the displayed setting flashing, you can rotate the MULTI CONTROL knob to adjust the output signal sync phase across the range <math>\pm 15 \mu\text{s}</math> relative to this unit's input reference signal.</p> <p>Adjust this item when you want to adjust the output signal sync phase precisely to match a reference signal, or when connecting this unit and other VTRs to a device such as a switcher to perform operations such as special effects editing.</p>                       |
| F2 (SC)     | <p>Sets the output signal subcarrier phase.</p> <p><b>Setting method</b></p> <p>With the displayed setting flashing, you can rotate the MULTI CONTROL knob to adjust the output signal subcarrier phase across the range <math>\pm 200 \text{ ns}</math> relative to this unit's input reference signal.</p> <p>Adjust this item when you are using composite signals in editing and want to adjust the output signal subcarrier phase precisely to match a reference signal. Even when this value is adjusted, the output SCH (subcarrier to sync) phase is maintained.</p> |
| F3 (VIN LV) | <p>Sets the level of composite video signals input to the COMPOSITE VIDEO INPUT connectors.</p> <p><b>AGC:</b> Adjusts the level automatically.</p> <p><b>Manual setting:</b> With the displayed setting flashing, you can rotate the MULTI CONTROL knob to adjust the level of composite video signals input to the COMPOSITE VIDEO INPUT connectors.</p>   |
| F4 (EMPHSS) | <p>Specifies whether to add audio emphasis to analog audio input signals and Betacam/Betacam SP format playback audio signals.</p> <p><b>ON:</b> Add audio emphasis.</p> <p><b>OFF:</b> Do not add audio emphasis.</p>   |
| F5 (T INFO) | <p>Selects the type of time data to display in time data display area 2.</p> <p><b>TOTAL:</b> Display total time.</p> <p><b>REMAIN:</b> Display remaining time.</p>  |



## Page 4

| Item                                      | Setting  |
|---|--|
| F1 (CAPSTN)                               | <p>Selects the number of fields for capstan lock in playback and editing.</p> <p><b>For DVW-M2000/2000</b></p> <p><b>2F:</b> The capstan servo locks in units of 2 fields.</p> <ul style="list-style-type: none"> <li>• For tape output, color framing may not match the reference signal selected with the F2 (OUTREF).</li> <li>• In assemble editing, color framing may be non-continuous at edit points.</li> </ul> <p>When playing back a tape that was recorded with composite source signals, a vertical shift in the video (H shift) occurs. (When setup menu item 712 is set to ON.)</p> <p><b>4F:</b> The capstan servo locks in units of 4 fields.</p> <ul style="list-style-type: none"> <li>• For tape output, color framing matches the reference signal selected with the F2 (OUTREF).</li> <li>• In assemble editing, color framing is continuous at edit points.</li> </ul> <p>Even when playing back a tape that was recorded with composite source signals, no vertical shift in the video (H shift) occurs. You should set this menu item to this setting when you are editing composite signals, when continuity in video phase across edit points is required, and when you perform A/B-roll editing.</p> <p><b>For DVW-M2000P/2000P</b></p> <p><b>2F:</b> The capstan servo locks in units of 2 fields.</p> <ul style="list-style-type: none"> <li>• For tape output, color framing may not match the reference signal selected with the F2 (OUTREF).</li> <li>• In assemble editing, color framing may be non-continuous at edit points.</li> </ul> <p>When playing back a tape that was recorded with composite source signals, a vertical shift in the video (H shift) occurs. (When setup menu item 712 is set to ON.)</p> <p><b>4F:</b> The capstan servo locks in units of 4 fields.</p> <ul style="list-style-type: none"> <li>• For tape output, color framing may not match the reference signal selected with the F2 (OUTREF).</li> <li>• In assemble editing, color framing may be non-continuous at edit points.</li> </ul> <p>When playing back a tape that was recorded with composite source signals, a vertical shift in the video (H shift) occurs. (When setup menu item 712 is set to ON.)</p> <p><b>8F:</b> The capstan servo locks in units of 8 fields.</p> <ul style="list-style-type: none"> <li>• For tape output, color framing matches the reference signal selected with the F2 (OUTREF).</li> <li>• In assemble editing, color framing is continuous at edit points.</li> </ul> <p>Even when playing back a tape that was recorded with composite source signals, no vertical shift in the video (H shift) occurs. You should set this menu item to this setting when you are editing composite signals, when continuity in video phase across edit points is required, and when you perform A/B-roll editing.</p> |
| F2 (OUTREF)                               | <p>Selects the reference signal of this unit, according to the setting of setup menu item 309 and this unit's operating state.</p> <p><b>REF:</b> Use the signal input to the REF.VIDEO INPUT connector as the reference signal. During recording, input digital audio signals and video signals must be synchronized with this signal.</p> <p><b>INPUT:</b> Use the input video signal selected in the F1 (VID.IN) of the HOME page as the reference signal.</p>  |
| F3 (DOLBY)<br>(DVW-M2000/<br>M2000P only) | <p>When using oxide tapes, specifies whether or not to use the Dolby type C low-frequency noise reduction (NR) system.</p> <p><b>NR ON:</b> Use the Dolby NR system when playing back analog Betacam oxide tapes.</p> <p><b>NR OFF:</b> Do not use the Dolby NR system when playing back analog Betacam oxide tapes.</p>   |
| F4 (CHARA)                                | <p>Specifies whether or not to superimpose time code, menu settings, error messages, and so on over the video signals output to the 3 (SUPER) connector in the SDI OUTPUT connectors, and the 3 (SUPER) connector in the COMPOSITE VIDEO OUTPUT connectors.</p> <p><b>ON:</b> Superimpose.</p> <p><b>OFF:</b> Do not superimpose.</p>  |

(Continued)

## 11-2 Function Menu Item List

---

| Item         | Setting  |
|--------------|--|
| F5 (RECINH)  | Specifies whether or not to inhibit recording to tape.<br><b>ON:</b> Inhibit recording to tape depending on the setting of setup menu item 310.<br><b>OFF:</b> Do not inhibit recording to tape. |
| F6 (PREREAD) | Specifies whether or not to preread (read before write) in insert editing.<br><b>ON:</b> Preread depending on the setting of setup menu item 319.<br><b>OFF:</b> Do not preread.                 |

---

### Page 5

| Item        | Setting  |
|-------------|--|
| F1 (TELE-F) | Displays the Tele-File menu.<br><i>For details of the Tele-File menu, see Section 7-3 "Tele-File Menu" (page 7-3).</i> |
| F2 (UMID)   | Displays UMID information during recording/playback.<br><i>For details of UMID, see Chapter 8.</i>                     |
| F5 (SUPUTL) | Displays the setup utility menu.<br><i>For details of the setup utility menu, see Chapter 13.</i>                      |

## 12-1 Setup Menu Configuration

This unit has the following setup menus.

- Basic setup menu
- Extended setup menu

To access the extended setup menu, a setting on the internal SS-89 board is required.

*For details, refer to the Installation Manual.*

In this manual, both the basic setup menu items and extended setup menu items are also referred to simply as setup menu items or menu items.

### Configuration of the basic setup menu

The basic setup menu comprises the following groups of items.

| Item group       | Function   | Refer to  |
|------------------|--|-----------|
| Items H01 to H14 | Display of the total number of hours the unit has been powered on, and other information collected by the digital hours meter                    | Page 14-5 |
| Items 001 to 099 | Settings relating to the preroll time, superimposed text information, switching between 525-line (NTSC) and 625-line (PAL) operation modes, etc. | Page 12-5 |
| Items B01 to B20 | Settings relating to the menu banks for saving menu settings   | Page 12-7 |

*For the menu items added when the BKMW-104 HD Up-Converter Board is installed, refer to the Operation Manual or Installation Manual for the BKMW-104.*

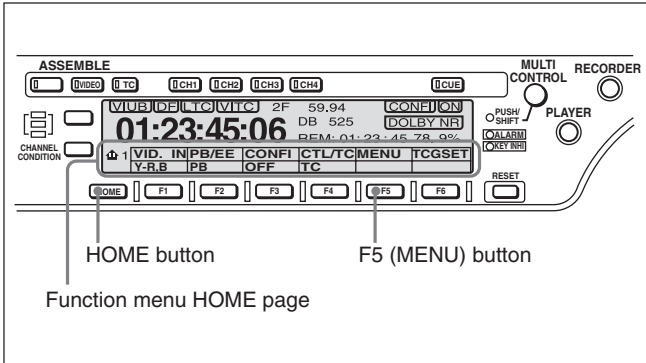
### Configuration of the extended setup menu

The extended setup menu comprises the following groups of items.

| Item group       | Function  | Refer to   |
|------------------|---|------------|
| Items 100 to 199 | Settings relating to control panels               | Page 12-8  |
| Items 200 to 299 | Settings relating to the remote control interface | Page 12-11 |
| Items 300 to 399 | Settings relating to editing operations           | Page 12-12 |
| Items 400 to 499 | Settings relating to preroll                      | Page 12-15 |
| Items 500 to 599 | Settings relating to tape protection              | Page 12-15 |
| Items 600 to 699 | Settings relating to the time code generator      | Page 12-16 |
| Items 700 to 799 | Settings relating to video control                | Page 12-21 |
| Items 800 to 899 | Settings relating to audio control                | Page 12-26 |
| Items 900 to 999 | Settings relating to digital processing           | Page 12-30 |

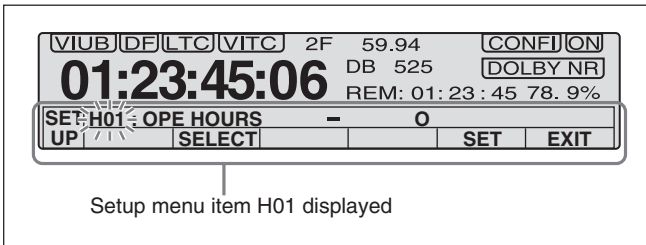
# 12-2 Setup Menu Operations

## To display setup menus



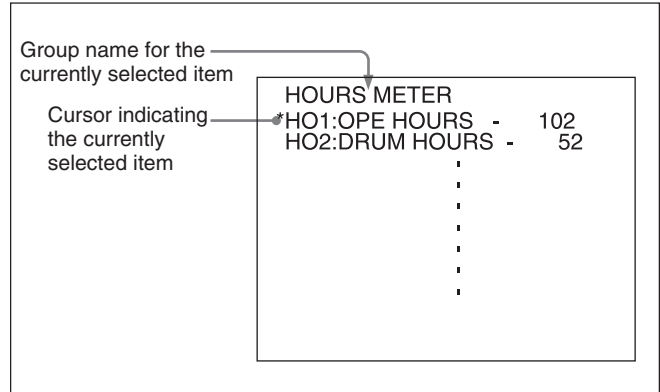
With the function menu HOME page showing in the menu display, press the F5 (MENU) button. The currently selected setup menu item is displayed in the menu display, with the menu item number flashing.

For basic operations in the menu display, see page 2-7.



## To display menus on the monitor

Setting CHARA to ON in function menu page 4 allows you to display setup menus on the monitor connected to the COMPOSITE VIDEO OUTPUT 3 (SUPER) connector or SDI OUTPUT 3 (SUPER) connector of this unit. When a setup menu appears on the monitor, a cursor indicates the currently selected menu item.



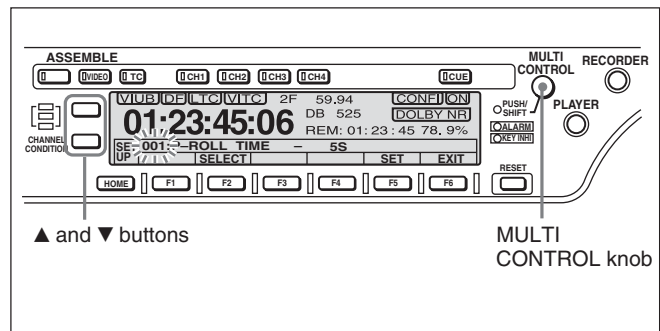
## Customizing the setup menu

You can customize the setup menu so that items which you do not use are not displayed.

“[C]” appears in the upper right of the monitor when the menu is customized (when there are items which are not displayed). However, there is no indication in the menu display section that the menu has been customized.

For details about how to customize the setup menu, refer to the Maintenance Manual.

## Displaying a desired menu item



When the menu item number displayed in the menu display is flashing, you can change the menu item by turning the MULTI CONTROL knob.

To skip from one item group to the next, press the ▲ button or ▼ button.

### To display a desired sub-item

For a menu item having sub-items, you can select a desired sub-item as follows.

- 1 With a desired menu item selected, press the F2 (SELECT) button.

The currently selected sub-item name flashes.

- 2 Turn the MULTI CONTROL knob to select a desired sub-item.

---

### Changing menu item setting values

The procedures for changing menu item setting values or sub-item setting values are described below.

#### To change the settings of menu items without sub-items

After selecting a desired menu item using the procedure described in the section “Displaying a desired menu item” on page 12-2 and with the menu item number flashing, proceed as follows.

- 1 Press the F2 (SELECT) button.

The current setting of the menu item flashes.

- 2 Press the F3 (–) button or F4 (+) button, or turn the MULTI CONTROL knob to select a desired setting value.

#### To select another menu item and change its setting value

Press the F1 (RETURN) button making the current menu item number flash, then perform the procedures for selecting a desired menu item and changing its setting value.

- 3 When all required changes have been made, press the F5 (SET) button.

This makes the new settings effective.

#### To abandon making changes and exit from the setup menu display

Press the F6 (EXIT) button.

### To change the settings of menu items with sub-items

When a selected menu item has sub-items, select a desired sub-item using the procedure described in the section “To display a desired sub-item” on this page making the sub-item name flash, then proceed as follows.

- 1 Press the F2 (SELECT) button.

The current setting of the sub-item flashes.

- 2 Press the F3 (–) button or F4 (+) button, or turn the MULTI CONTROL knob to select a desired setting value.

#### To select another sub-item and change its setting value

Press the F1 (RETURN) button making the current sub-item name flash, then perform the procedures for selecting a desired sub-item and changing its setting value.

#### To select another menu item and change its setting value

Press the F1 (RETURN) button twice in succession making the current menu item number flash, then perform the procedures for selecting a desired menu item and changing its setting value.

- 3 When all required changes have been made, press the F5 (SET) button.

This makes the new settings effective.

#### To abandon making changes and exit from the setup menu display

Press the F6 (EXIT) button.

## 12-2 Setup Menu Operations

### Resetting the menu settings to their factory default values (menu item B20)

To reset the current active menu settings to their factory default values, proceed as follows.

- 1 Perform steps **1** to **3** of the procedure described in the section “To change the settings of menu items without sub-items” on page 12-3 to set menu item B20 RESET SETUP to ON.

The current active menu settings are reset to their factory default settings.

- 2 Press the F5 (SET) button again.

This saves the menu settings.

### Menu bank operations (menu items B01 to B13)

This unit allows menu settings to be saved in what are termed “menu banks”. Saved sets of menu settings can be recalled for use as required.

#### To save the current active menu settings

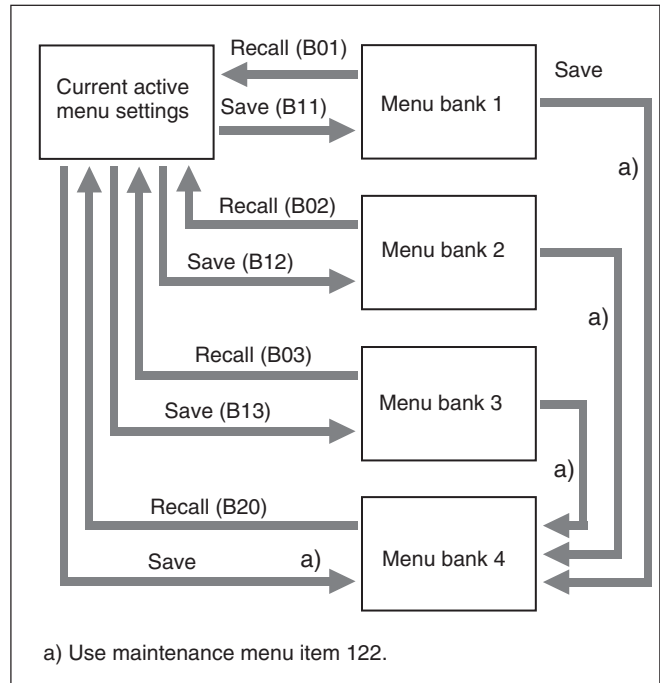
Set one of menu items B11 SAVE BANK 1 to B13 SAVE BANK 3 to ON, depending on which of the menu banks you wish to save in, then press the F5 (SET) button.

#### To recall settings from a menu bank

When recalling the settings saved in one of menu banks 1 to 3, set the corresponding one of menu items B01 RECALL BANK 1 to B03 RECALL BANK 3 to ON, then press the F5(SET) button.

When you wish to recall the settings saved in menu bank 4, select bank-4 with menu item B20 PRESET SETUP.

*For details about menu bank 4, refer to the Maintenance Manual.*



## 12-3 Items in the Basic Setup Menu

The basic setup menu contains the following items.

In the “Settings” column of the table, the factory default settings are indicated by an enclosing box.

| Item number           | Item name                                | Settings   |
|-----------------------|--|--|
| 001                   | PREROLL TIME                             | <b>0S ...</b> <span style="border: 1px solid black;">5S</span> <b>... 30S</b> : Set the preroll time to between 0 and 30 seconds. A preroll time of at least 5 seconds is recommended when using this unit for editing.  |
| 002 <sup>a)</sup>     | CHARACTER H-POSITION                     | Adjust the horizontal screen position of the character information output from the COMPOSITE VIDEO OUTPUT 3 (SUPER) connector and the SDI OUTPUT 3 (SUPER) connector for superimposed display on the monitor.<br><b>00 ...</b> <span style="border: 1px solid black;">1C</span> <b>... 3C (525-line mode)/00 ...</b> <span style="border: 1px solid black;">19</span> <b>... 36 (625-line mode)</b> : The hexadecimal value 00 is for the far left of the screen and increasing the value moves the position of the characters to the right.   |
| 003 <sup>a), b)</sup> | CHARACTER V-POSITION                     | Adjust the vertical screen position of the first line of the characters information output from the COMPOSITE VIDEO OUTPUT 3 (SUPER) connector and the SDI OUTPUT 3 (SUPER) connector for superimposed display on the monitor.<br><b>00 ...</b> <span style="border: 1px solid black;">5C</span> <b>... 71 (525-line mode)/00 ...</b> <span style="border: 1px solid black;">70</span> <b>... 88 (625-line mode)</b> : The hexadecimal value 00 is for the top of the screen and increasing the value lowers the position of the characters.   |
| 004                   | SYNCHRONIZE                              | When editing using this unit as a controller and an external VTR connected to this unit via a 9-pin remote control cable, this item determines whether or not to operate the two units in phase synchronization.<br><b>OFF</b> : Do not operate in phase synchronization.<br><b>ON</b> : Operate in phase synchronization.   |
| 005                   | DISPLAY INFORMATION SELECT               | Determines the kind of character information to be output from the COMPOSITE VIDEO OUTPUT 3 (SUPER) connector and the SDI OUTPUT 3 (SUPER) connector when the function menu item CHARA is set to ON.<br><b>T&amp;STA</b> : Time data display information and the unit's status<br><b>T&amp;UB</b> : Time data display information and the user's bits<br><b>T&amp;CTL</b> : Time data display information and CTL<br><b>T&amp;T</b> : Time data display information and time code (LTC or VITC)<br><b>TIME</b> : Time code (LTC or VITC) only<br>If there is an overlap between the setting of this item and the setting of the control panel, it is automatically avoided. For example, if CTL is selected on the control panel and this menu item setting is T&CTL, then CTL and LTC are output. |
| 006                   | LOCAL FUNCTION ENABLE                    | Determines which buttons on the control panel are enabled when this unit is controlled from external equipment.<br><b>DIS</b> : All buttons and switches are disabled.<br><b>S&amp;E&amp;F</b> : Only the STOP button, EJECT button, and F1 to F6 buttons are enabled.<br><b>ENA</b> : All buttons and switches except the RECORDER button and PLAYER button are enabled.<br><b>MAP</b> : Buttons and switches are enabled or disabled in accordance with the settings of menu item 023.   |
| 007                   | TAPE TIMER DISPLAY                       | Determines whether to display the CTL count in 12-hour mode or 24-hour mode.<br><b>+ -12H</b> : 12-hour mode<br><b>24H</b> : 24-hour mode  |
| 008                   | MONITORING SELECTION FOR VTR-TO-VTR EDIT | For recorder-player editing with only one monitor connected to the recorder, determines whether the recorder is forced into E-E mode when the recorder's PLAYER button is pressed to view the player's playback signals on the monitor.<br><b>MANU</b> : Do not force the recorder into E-E mode.<br><b>AUTO</b> : Force the recorder into E-E mode.   |

a) When setting items 002 and 003, watch the monitor screen, and adjust to the required state.

b) When displaying time code values, there is a slight time delay. Therefore, when creating a tape for off-line editing, the information inserted in the upper half of the screen may be delayed by one frame.

(Continued)

## 12-3 Items in the Basic Setup Menu

| Item number       | Item name                      | Settings   |
|-------------------|--------------------------------|--|
| 009 <sup>a)</sup> | CHARACTER TYPE                 | Determines the type of characters such as time code output from the COMPOSITE VIDEO OUTPUT 3 (SUPER) connector and the SDI OUTPUT 3 (SUPER) connector for superimposed display on the monitor.<br><b>WHITE</b> : White letters on a black background<br><b>BLACK</b> : Black letters on a white background<br><b>W/OUT</b> : White letters with black outline<br><b>B/OUT</b> : Black letters with white outline |
| 011 <sup>a)</sup> | CHARACTER V-SIZE               | Determines the vertical size of characters such as time code output from the COMPOSITE VIDEO OUTPUT 3 (SUPER) connector and the SDI OUTPUT 3 (SUPER) connector for superimposed display on the monitor.<br><b>×1</b> : Standard size<br><b>×2</b> : 2 times standard size  |
| 012 <sup>b)</sup> | CONDITION DISPLAY VIDEO MONTOR | Specifies whether to add an indication of channel condition and tape time to superimposed text, when “×1” is selected in menu item 011.<br><b>disable</b> : Do not display.<br><b>enable</b> : Display.  |

a) When setting items 009 and 011, watch the monitor screen, and adjust to the required state.

b) The channel condition indication appears under the timer or status line (under the video playback level indication during playback of an analog tape), in the format “V–A–”, where the symbol following the “V” indicates the rotating head condition for video channels and the symbol following the “A” indicates the rotating head condition for audio channels.

The following three symbols appear:

“–” (good)

“\*” (fair)

“■” (poor)

The tape time is displayed as follows in the time data display area 2 of the time data/menu display section.

**BOT**: Displayed when the tape has returned to the top.

**EOT**: Displayed when the tape has reached the end.

**TTL: 00: 00**: Displays a time representing the total length of the tape.

**REM: 00: 00**: Displays a time representing the remaining length of the tape.

“00:00” means “hours:minutes” for both TTL and REM.

The setting of item F5 (T INFO) on page 3 of the function menu determines whether TTL or REM is displayed.

*For more information about page 3 of the function menu, see “Page 3” in Section 11-2 “Function Menu Item List” (page 11-6).*



| Item number | Item name        | Settings   |   |
|-------------|------------------|--|---|
| 023         | LOCAL KEY MAP    | When MAP is selected in menu item 006, the buttons that can be operated on the control panel of this unit when it is being controlled by remote control from another device can be selected from the following sub-items.<br>The settings of each sub-item are as follows.<br><b>DIS</b> : Do not function.<br><b>ENA</b> : Function.                  |   |
|             | Sub-item         |  |   |
|             | 1                | STOP   | Select whether the STOP button functions.                       |
|             | 2                | PLAY   | Select whether the PLAY button functions.                       |
|             | 3                | REC/EDIT   | Select whether the REC and EDIT buttons function.               |
|             | 4                | STANDBY  | Select whether the STANDBY button functions.                    |
|             | 5                | EJECT  | Select whether the EJECT button functions.                      |
|             | 6                | JOG  | Select whether the JOG button functions.                        |
|             | 7                | SHUTTLE  | Select whether the SHUTTLE button functions.                    |
|             | 8                | VAR  | Select whether the VAR button functions.                        |
|             | 9                | FF/REW   | Select whether the F FWD and REW buttons function.              |
|             | 10               | PREROLL  | Select whether the PREROLL button functions.                    |
|             | 11               | AUTO/PRE/REVIEW  | Select whether the AUTO EDIT, PREVIEW, REVIEW buttons function. |
|             | 12               | F-KEY  | Select whether the F1 to F6 buttons function.                   |
|             | 13               | AUDIO/MONITOR  | Select whether the audio signal buttons function.               |
| 14          | EDIT PRESET      | Select whether the EDIT PRESET button functions.   |   |
| 15          | OTHERS           | Select whether the ENTRY, IN, OUT, AUDIO IN, AUDIO OUT, TRIM+, TRIM-, GS-MARK, GS-LIST, DELETE, and DMC EDIT buttons function.   |   |
| 029         | STORED OWNERSHIP | Select whether or not to set the Stored Ownership UMID item.<br><b>off</b> : Do not set.<br><b>on</b> : Set.<br>To set Stored Ownership, display this item in the menu display section, and press the F5 (SET) button to move to the Stored Ownership setting screen.<br><br><i>For details, see the section "To set Stored Ownership" (page 8-2).</i> |   |
| B01         | RECALL BANK 1    | Set to ON to recall menu settings from menu bank 1.  |   |
| B02         | RECALL BANK 2    | Set to ON to recall menu settings from menu bank 2.  |   |
| B03         | RECALL BANK 3    | Set to ON to recall menu settings from menu bank 3.  |   |
| B11         | SAVE BANK 1      | Set to ON to save current active menu settings to menu bank 1.   |   |
| B12         | SAVE BANK 2      | Set to ON to save current active menu settings to menu bank 2.   |   |
| B13         | SAVE BANK 3      | Set to ON to save current active menu settings to menu bank 3.   |   |
| B20         | RESET SETUP      | Set this item to ON to return the current menu settings to the factory defaults.<br>Set it to bank-4 to use the contents of menu bank 4 as the current menu settings.<br><br><i>For details about menu bank 4, refer to the Maintenance Manual.</i>  |   |

# 12-4 Items in the Extended Setup Menu

The extended setup menu contains the following items.

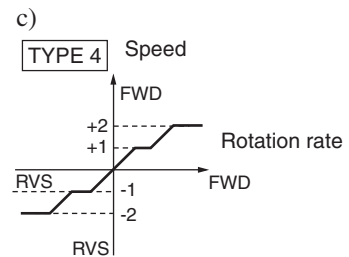
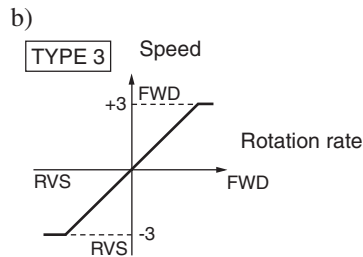
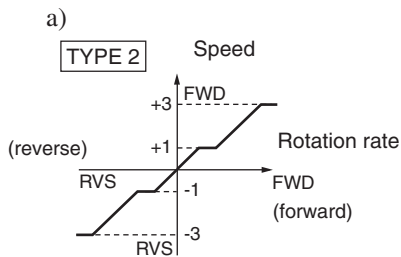
In the “Settings” column of the table, the factory default settings are indicated by an enclosing box.

Menu items in the range 100 to 199, relating to the control panels

| Item number | Item name                                       | Settings  |
|-------------|---|---|
| 101         | SELECTION FOR SEARCH DIAL ENABLE                | Select how the unit enters the search mode.<br><b>DIAL</b> : Turning the search dial switches to search mode at all times except during recording/editing.<br><b>KEY</b> : One of the JOG, SHUTTLE, and VAR buttons must be pressed to switch to search mode.   |
| 102         | MAXIMUM SPEED                                   | Select the fast forward and rewind tape speed and also search mode speed during tape playback.<br><b>MAX</b> : Perform fast forward, rewind, and search mode playback at the maximum speeds.<br><b>MX/24</b> : Perform fast forward and rewind at the maximum speeds, and search mode playback at up to 24 times normal speed.<br><b>×24</b> : Perform fast forward and rewind at 24 times normal speed, and search mode playback at up to 24 times normal speed.<br><br><b>Maximum fast forward, rewind, and search mode speeds</b> <ul style="list-style-type: none"> <li>• Analog cassette: 35 times (525-line mode) or 42 times (625-line mode) normal speed.</li> <li>• Betacam SX/MPEG IMX cassettes: 60 times normal speed (525-line mode) or 78 times (625-line mode)</li> <li>• Digital Betacam cassette: 50 times normal speed</li> </ul> |
| 103         | AUDIO SELECTED LINE OUT (DVW-M2000/M2000P only) | Select the output signal to the MONITOR OUTPUT connectors.<br><b>MANU</b> : Output the signals selected by the audio signal selection buttons on the lower control panel.<br><b>AUTO1</b> : Output stereo, using the AFM channels (3 and 4) for playback from metal tape, and the LNG channels (1 and 2) for playback from oxide tape.<br><b>AUTO2</b> : Output the signals selected by the audio signal selection buttons on the lower control panel, but during variable speed playback, if AFM is selected, automatically switch to LNG.   |
| 104         | AUDIO MUTING TIME                               | Select the length of time for which audio muting occurs when the unit switches to playback either from stopped or from still playback in the search mode.<br><b>OFF</b> : Set the audio muting time to zero (i.e. no muting).<br><b>0.1S ... 1.0S</b> : Set the audio muting time from 0.1 second to 1.0 second, in 0.1-second increments.  |
| 105         | REFERENCE SYSTEM ALARM                          | Select whether or not to display a warning when the video/audio reference signal selected by the function menu item OUTREF, is not supplied or is out of phase with the input video signal.<br><b>OFF</b> : No warning.<br><b>ON</b> : Flash the STOP button as a warning.  |
| 106         | CAPSTAN LOCK                                    | Select the capstan servo lock mode.<br><b>PANEL</b> : The capstan servo lock mode is determined by the function menu item CAPSTN.<br><b>2F</b> : The capstan servo locks every two fields regardless of the setting of the function menu item CAPSTN.<br><b>4F</b> : The capstan servo locks every four fields regardless of the setting of the function menu item CAPSTN.<br><b>8F (for DVW-M2000P/2000P)</b> : The capstan servo locks every eight fields regardless of the setting of the function menu item CAPSTN.   |

## Menu items in the range 100 to 199, relating to the control panels (Continued)

| Item number | Item name   | Settings   |
|-------------|---|--|
| 107         | REC INHIBIT LAMP FLASHING                         | Select whether or not to flash the REC INHI indicator when the function menu item RECINH is set to OFF and the record inhibit plug on the cassette is pressed in.<br><b>OFF</b> : Do not flash the REC INHI indicator.<br><b>ON</b> : Flash the REC INHI indicator.  |
| 108         | AUTO EE SELECT                                    | When a digital cassette is inserted and the function menu item PB/EE is set to EE, select the VTR modes in which input video and audio signals are automatically handled in E-E mode.<br>When an analog cassette is inserted, regardless of the function menu setting the PB mode is always selected.<br><b>S/F/R</b> : In STOP/EJECT/F.FWD/REW modes<br><b>STOP</b> : In STOP/EJECT modes   |
| 109         | FORCED EE WHEN TAPE UNTHREAD                      | During tape threading and unthreading, and when no cassette is inserted, select whether the setting of the function menu item PB/EE controls the PB/EE setting for output signals.<br><b>OFF</b> : Control by the function menu item PB/EE<br><b>ON</b> : No control (always E-E signal)   |
| 111         | TSO PLAY  | Select whether or not to enable tape speed override mode.<br><b>DIS</b> : Disable tape speed override mode.<br><b>TSO</b> : Enable tape speed override mode.   |
| 115         | PHASE LOCK IN VARIABLE X3 (DVW-M2000/M2000P only) | Select whether or not to lock the capstan phase in $\times 3$ variable speed play mode when playing back a Betacam or Betacam SP cassette.<br><b>OFF</b> : Do not lock.<br><b>ON</b> : Lock.   |
| 116         | JOG DIAL RESPONSE                                 | Select the tape speed characteristics for the search dial rotation rate (VTR commands).<br><b>TYPE1</b> : Tape speed varies linearly over the range $-1$ to $+1$ .<br><b>TYPE2</b> : Tape speed varies stepwise as shown in the figure below <sup>a)</sup> over the range $-3$ to $+3$ . (Characterized by a zone around $-1$ and $+1$ where the tape speed is independent of the search dial rotation rate)<br><b>TYPE3</b> : Tape speed varies linearly over the range $-3$ to $+3$ , as shown in the figure below <sup>b)</sup> .<br><b>TYPE4</b> : Tape speed varies stepwise as shown in the figure below <sup>c)</sup> over the range $-2$ to $+2$ . (Characterized by a zone around $-1$ and $+1$ where the tape speed is independent of the search dial rotation rate) |
| 117         | CONTROL PANEL SELECTION                           | Select the control panel function when the PANEL SELECT switch on the switch panel is set to REAR.<br><b>SW</b> : Only the control panel connected to the CONTROL PANEL connector on the connector panel functions.<br><b>PARA</b> : The control panels connected to the CONTROL PANEL connectors on the switch panel and connector panel both function.   |



(Continued)

## 12-4 Items in the Extended Setup Menu

Menu items in the range 100 to 199, relating to the control panels (Continued)

| Item number | Item name                                 | Settings   |   |
|-------------|---|--|---|
| 118         | KEY INHIBIT SWITCH EFFECTIVE AREA         | Select which switches and buttons can be operated when the KEY INHIBIT switch on the switch panel is set to ON. The following sub-items control different sets of switches and buttons independently.  |   |
|             | Sub-item                                  |  |   |
|             | 1   | REMOTE SELECT  | Select whether the REMOTE 1(9P) and 2(50P) buttons in the upper control panel are enabled.<br><b>DIS</b> : Disabled<br><b>ENA</b> : Enabled   |
|             | 2   | AUDIO/F-KEY  | Select whether the audio signal selection buttons and F1 to F6 buttons in the lower control panel are enabled.<br><b>DIS</b> : Disabled<br><b>ENA</b> : Enabled<br><b>audio</b> : Disable audio input signal selection, audio mixing settings, and monitor signal selection.<br><b>f-key</b> : Disable function keys (including HOME).<br><b>in/mx</b> : Disable audio input signal selection, audio mixing settings. |
| 3           | MODE CONTROL                              | Select which switch and button operations can be carried out from the lower control panel of this unit or an external control panel connected to this unit.<br><b>DIS</b> : All switches and buttons other than the audio signal selection buttons and F1 to F6 buttons are disabled.<br><b>EDIT</b> : All switches and buttons for editing operations other than the audio signal selection buttons and F1 to F6 buttons are disabled.<br><b>ENA</b> : All switches and buttons other than the audio signal selection buttons and F1 to F6 buttons are enabled. |   |
| 119         | VARIABLE SPEED LIMIT IN KEY PANEL CONTROL | Select the playback speed range when carrying out playback in variable speed mode from the control panel of this unit.<br><b>OFF</b> : For MPEG IMX and analog tapes, from -1 to +3 times normal speed; for Digital Betacam tapes, from -1 to +3 times normal speed; for Betacam SX tapes, -1 to +2 times normal speed.<br><b>ON</b> : For MPEG IMX, Betacam SX, Digital Betacam tapes, and analog tapes, from 0 to 1 times normal speed.  |   |
| 120         | CTL LOCK IN VAR/SHTL                      | Select whether the tape transport should be phase-locked to the CTL signal during playback in variable speed or shuttle mode.<br><b>OFF</b> : Not phase-locked.<br><b>ON</b> : Phase-locked at the following speeds: -1, -0.5, 0.5, 1.0 and 2.0 times normal.  |   |
| 121         | DT MODE                                   | Select field or frame mode for variable speed playback.<br><b>FIELD</b> : Always field playback<br><b>FRAME</b> : Frame playback in the noiseless playback speed range; otherwise field playback.<br>Frame playback provides higher-density still pictures than field playback.<br><br><b>Note</b><br>For analog Betacam playback, field playback is always used. For digital Betacam playback, the frame playback is valid only in the forward direction.   |   |
| 125         | AUTO REWIND                               | Select whether to rewind the tape automatically when recording or playback reaches the end of a tape.<br><b>DIS</b> : Do not rewind the tape automatically.<br><b>ENA</b> : Rewind the tape automatically.   |   |
| 130         | TIMER DISPLAY DIMMER CONTROL              | Set the brightness of the time data/menu display panel.<br><b>0 to 7</b> : Set in this range. 0 is the brightest, and 7 the dimmest.   |   |

## Menu items in the range 100 to 199, relating to the control panels (Continued)

| Item number | Item name                           | Settings  |
|-------------|-------------------------------------|---|
| 133         | TELE-FILE CONTROL MODE              | Selects the device used for data modification operations in the Tele-File menu.<br><b>CONTROL PANEL</b> : Operate with the control panel of this unit.<br><b>REMOTE</b> : Operate with remote devices connected to connectors such as REMOTE1, REMOTE2, and RS-232C.  |
| 134         | TELE-FILE MENU AUTO POPUP           | Selects whether to open the Tele-File menu automatically when a cassette with a Tele-File label is loaded. However, this is valid only when the function menu is HOME, HOME2, or page 1 to 5.<br><b>OFF</b> : Do not open the Tele-File menu automatically.<br><b>ON</b> : Open the Tele-File menu automatically. |
| 135         | TELE-FILE THREAD COUNTER CLEAR MODE | Selects whether to clear the thread counter when formatting a Tele-File.<br><b>NOT CLEAR</b> : Do not clear the thread counter.<br><b>WHEN FORMAT</b> : Clear the thread counter.   |
| 136         | TELE-FILE IN OUT INPUT CONTINUE     | Selects whether to continuously input log (IN and OUT point) data in the Tele-File menu screen.<br><b>OFF</b> : Do not continuously input log (IN and OUT point) data.<br><b>ON</b> : Continuously input log (IN and OUT point) data.   |

## Menu items in the range 200 to 299, relating to the remote control interface

| Item number | Item name                       | Settings  |
|-------------|---------------------------------|---|
| 201         | PARA RUN                        | Select whether or not to use synchronized operation for two or more VTRs.<br><b>DIS</b> : No synchronized operation<br><b>ENA</b> : Use synchronized operation<br><br><b>Note</b><br>To use synchronized operation for two or more VTRs, set item 201 to "ENA" on all of the VTRs.  |
| 202         | CF FLAG (DVW-M2000P/2000P only) | Select the mode for locking to the color framing sent from the remote controller.<br><b>8F</b> : Eight-field locking mode<br><b>4F/8F</b> : Four- or eight-field locking mode   |
| 211         | REMOTE1 PORT                    | Select how to use the REMOTE 1-IN(9P) and REMOTE 1-OUT(9P) connectors on the connector panel.<br><b>i&amp;o</b> : Both the IN and OUT connectors are effective whether in local or remote mode.<br><b>in</b> : Only the IN connector is effective whether in local or remote mode.<br><b>out</b> : Only the OUT connector is effective whether in local or remote mode.<br><b>panel</b> : Allows you to select i&o, in, or out using the function menu.<br><br><b>Note</b><br>When selecting "panel", first define user-defined function key RMT1 in the HOME2 page.<br><br><i>On how to define user-defined function keys in the HOME2 page, refer to the Maintenance Manual Volume 1.</i> |

## 12-4 Items in the Extended Setup Menu

Menu items in the range 300 to 399, relating to editing operations

| Item number | Item name                           | Settings   |
|-------------|-------------------------------------|--|
| 301         | VAR SPEED RANGE FOR SYNCHRONIZATION | <p>Select the playback speed range when carrying out playback in variable speed mode from a remote control unit connected to the REMOTE 1-IN(9P) connector or REMOTE 1-OUT (9P) connector.</p> <p><b>-1~+3</b>: For MPEG IMX tapes, analog tapes, and Digital Betacam tapes, from -1 to +3 times normal speed; for Betacam SX tapes, -1 to +2 times normal speed.</p> <p><b>~+3.45</b>: For MPEG IMX tapes, analog tapes, and Digital Betacam tapes, from -1 to +3.45 times normal speed; for Betacam SX tapes, -1.5 to +2.3 times normal speed.</p> <p><b>WIDE</b> : Undefined</p>  |
| 302         | CAPSTAN RE-LOCKING DIRECTION        | <p><b>In 525-line mode</b><br/>When the function menu item CAPSTN is set to 4F, select whether the capstan servo should lock by accelerating or decelerating.<br/><b>DECEL</b>: Lock by decelerating.<br/><b>ACCEL</b>: Lock by accelerating.</p> <p><b>In 625-line mode</b><br/>When the function menu item CAPSTN is set to 4F or 8F, select whether the capstan servo should lock by accelerating or decelerating.<br/><b>DECEL</b> : Lock by decelerating.<br/><b>ACCEL</b>: Lock by accelerating.</p>   |
| 304         | EDIT FIELD SELECT                   | <p>Select with which fields to start and end editing using tape.</p> <p><b>1F</b>: Start editing with field 1 and end with field 2.<br/><b>2F</b>: Start editing with field 2 and end with field 1.<br/><b>1F/2F</b>: Start and end editing depending on the timing of command reception.</p>  |
| 305         | SYNC GRADE                          | <p>When editing in phase-synchronized mode with menu item 004 set to ON, select the target phase synchronization accuracy.</p> <p><b>ACCUR</b>: ±0 frame accuracy<br/><b>ROUGH</b>: ±1 frame accuracy</p>  |
| 306         | DMC INITIAL SPEED                   | <p>Select the initial speed automatically set when carrying out DMC editing.</p> <p><b>MANU</b>: The speed determined by the rotation of the search dial<br/><b>PLAY</b>: Normal playback speed<br/><b>STILL</b>: Stationary<br/><b>±0.03 to ±1, +2</b>: Speed set in the range ±0.03 to +2 (select from +2, ±1, ±0.5, ±0.2, ±0.1, ±0.03)</p> <p><b>Note</b><br/>If you want to carry out DMC editing after setting this menu item, first press the DMC EDIT and DELETE buttons simultaneously to turn off the DMC EDIT button.</p>  |
| 307         | AUTO-DELETION FOR INCONSISTENT DATA | <p>Select what happens when an erroneous edit point is set.</p> <p><b>MANU</b>: A warning is given by flashing the DELETE button on the lower control panel.<br/>The operator must manually delete the unnecessary edit points or correct the erroneous edit point.</p> <p><b>NEG&amp;E</b>: When inconsistent edit points are set, such as when an OUT point is before an IN point, or an audio OUT point is before an audio IN point, or when too many edit points are specified, the previously set edit point is deleted.</p> <p><b>NEG</b>: When inconsistent edit points are set, such as when an OUT point is before an IN point, or an audio OUT point is before an audio IN point, the previously set edit point is deleted. When too many edit points are specified, the DELETE button on the control panel flashes to give a warning.</p> <p><b>Note</b><br/>Pressing the button corresponding to an edit point to be deleted and the DELETE button simultaneously, deletes the edit point. If an erroneous edit point is set (the DELETE button is flashing), editing is not executed.</p> |

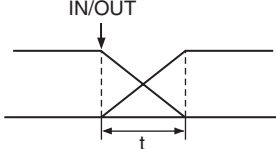
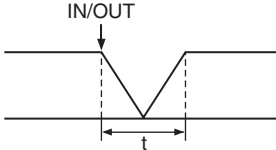
## Menu items in the range 300 to 399, relating to editing operations (Continued)

| Item number | Item name  | Settings   |
|-------------|--|--|
| 308         | SELECTION OF STD/<br>NON-STD FOR<br>COMPOSITE VIDEO IN | Select the STD or NON-STD mode in accordance with a composite video input.<br><b>AUTO</b> : Detect automatically whether the input video luminance and chrominance signals are interleaved or not. If they are interleaved, select the STD mode. If they are not interleaved, select the NON-STD mode.<br><b>STD</b> : The STD mode is always used (forced STD mode).<br><b>N-STD</b> : Use this setting when color framing of the input video signal is unstable (forced NON-STD mode).   |
| 309         | SERVO/AV REFERENCE<br>SEL                              | Select the servo reference signal.<br><b>AUTO1</b> : During recording, an analog component/composite or digital input video signal is used as the servo reference signal. During playback, the signal selected by the function menu item OUTREF is used as the servo reference signal. If the signal selected by the OUTREF setting is not connected, an internal reference signal is used.<br><b>AUTO2</b> : When the function menu item OUTREF is set to REF, and any of the ASSEMBLE, VIDEO, AUDIO CH1 to CH8 and TC buttons is lit, the reference signal for video/audio signal processing is locked to the input video signal.<br><b>EXT</b> : The servo reference signal is forced to be "EXT" (an external reference video input signal is used).   |
| 310         | REC INHIBIT  | Select the conditions under which recording is inhibited when the function menu item RECINH is set to ON.<br><b>ALL</b> : All tape recording is inhibited.<br><b>CRASH</b> : Normal tape recording is inhibited. Select this setting when you wish to carry out assemble editing.<br><b>VIDEO</b> : Inhibit recording of video and CTL signals.<br><b>AUDIO</b> : Inhibit recording of audio and CTL signals.<br><br><b>Note</b><br>When the function menu item RECINH is set to ON, the REC INHI indicator on the lower control panel lights. If an operation inhibited by this item is attempted, the REC INHI indicator flashes.  |
| 311         | ANALOG AUDIO EDIT<br>PRESET REPLACE FOR<br>CH1         | When using an editor (PVE-500, BVE-600, etc.) or a remote controller which cannot control digital audio edit preset, select how to activate edit preset of each digital audio channel (channels 1 to 4) on this unit using the analog audio edit preset function of the editor or remote controller.<br>Set edit preset of each digital audio channel of this unit on or off according to the analog audio preset specified by the remote controller or editor.<br><b>NODEF</b> : No definition.<br><b>CH1</b> : Follow edit preset of analog channel 1.<br><b>CH2</b> : Follow edit preset of analog channel 2.<br><b>CH1+2</b> : Follow edit preset of analog channel 1 or 2.<br>The default settings for each item are as follows:<br>311: <b>CH1</b><br>312: <b>CH2</b><br>313: <b>NODEF</b><br>314: <b>NODEF</b><br>315: <b>NODEF</b> |
| 312         | ANALOG AUDIO EDIT<br>PRESET REPLACE FOR<br>CH2         |  |
| 313         | ANALOG AUDIO EDIT<br>PRESET REPLACE FOR<br>CH3         |  |
| 314         | ANALOG AUDIO EDIT<br>PRESET REPLACE FOR<br>CH4         |  |
| 315         | ANALOG AUDIO EDIT<br>RESET REPLACE FOR<br>CUE          |  |

(Continued)

## 12-4 Items in the Extended Setup Menu

Menu items in the range 300 to 399, relating to editing operations (Continued)

| Item number | Item name                                | Settings  |
|-------------|--|---|
| 316         | CONFIDENCE PB MODE                       | <p>Sets F3 (CONFI) in function menu HOME page to ENABLE.</p> <p><i>For settings of F3 (CONFI), see page 11-3.</i></p> <p><b>mode1:</b> The CONFI playback function is only enabled during recording.</p> <p><b>mode2:</b> The CONFI playback function is also enabled during normal playback with the edit preset function being on, as well as during recording.</p> <p><b>mode3:</b> The CONFI playback function is only enabled during crash recording.</p> <p><b>Note</b></p> <p>Playback is performed in advance mode during auto edit previewing regardless of the setting of this menu item.</p> |
| 317         | AUDIO EDIT MODE                          | <p>Select the type of audio transition used for digital audio editing.</p> <p><b>CUT:</b> Cut editing (audio discontinuity at transition point, and possible noise during playback).</p> <p><b>CROSS:</b> Cross-fade</p>  <p><b>FI/FO:</b> Fade in and out</p>  <p>t: Time set by item 803 DIGITAL AUDIO FADE TIME</p>   |
| 318         | EDIT RETRY                               | <p>For two-VTR editing, set when this unit is used as the recorder. Selects the operation if the recorder was not synchronized in time.</p> <p><b>OFF:</b> Editing is not carried out, and the unit stops.</p> <p><b>ON:</b> The editing is automatically retried (up to twice).</p>  |
| 319         | PREREAD SELECT                           | <p>Specify the preread operation.</p> <p><b>A/V:</b> Preread for both audio and video.</p> <p><b>AUDIO:</b> Preread for audio only.</p> <p><b>VIDEO:</b> Preread for video only.</p> <p>The preread operation is enabled when the function menu item PREREAD is set to ON or with a command from the 9-pin remote control interface.</p>  |
| 320         | DIGITAL AUDIO PB PROCESS ON EDIT POINT   | <p>Select the treatment of audio playback at edit points.</p> <p><b>CUT:</b> Carry out a cut (possibly resulting in audio discontinuities at the edit point).</p> <p><b>FADE:</b> Fade out and fade in.</p>   |
| 326         | AUTOMATIC IN ENTRY AFTER AUTO EDIT       | <p>Select whether or not to automatically set the OUT point of the previous edit as the next IN point at the end of an automatic edit.</p> <p><b>OFF:</b> No automatic setting</p> <p><b>R:</b> Set recorder IN point automatically.</p> <p><b>R &amp; P:</b> Set recorder IN point automatically, and also player IN point in two-VTR editing.</p>   |
| 334         | EE REFERENCE CONTROL                     | <p>Specify how to select the reference video signal in E-E mode.</p> <p><b>normal:</b> Select according to the flowchart in Section 3-2-1 "External Sync Signal for the Internal Reference Video Signal Generator" (page 3-3).</p> <p><b>input:</b> In E-E mode select the input video signal. When not in E-E mode, select according to the flowchart in Section 3-2-1 "External Sync Signal for the Internal Reference Video Signal Generator" (page 3-3).</p>  |
| 336         | EDIT PRESET INHIBIT IN KEY PANEL CONTROL | <p>Specify which buttons are disabled in the editing mode setting section on the lower control panel.</p> <p><b>off:</b> Disable all buttons.</p> <p><b>TC:</b> Disable the TC button.</p>  |



## Menu items in the range 400 to 499, relating to preroll

| Item number | Item name                         | Settings   |
|-------------|-----------------------------------|--|
| 401         | FUNCTION MODE AFTER CUEUP         | Select the state that the unit goes into after a cuing-up operation.<br><b>STOP</b> : Stop (the “stop mode”)<br><b>STILL</b> : Still playback (in search mode)<br><br><b>Note</b><br>When controlling this unit from an editor with the standard constants set, select “STOP”.   |
| 402         | TIME REFERENCE FOR PREROLL        | When prerolling a tape with time code discontinuities, select whether or not to use CTL pulses to count time code from before a discontinuity.<br><b>CTL</b> : Use CTL pulses to count time code.<br><b>TC</b> : Do not use CTL pulses to count time code.   |
| 403         | AUTOMATIC PREROLL REFERENCE ENTRY | Select whether or not the edit IN point is automatically set by pressing the PREROLL button, when the IN point is not set before starting preroll.<br><b>DIS</b> : IN point is not set automatically.<br><b>ENA</b> : IN point is set automatically.   |
| 405         | CUEUP BY CTL                      | Select the tape transport mode when cuing. This setting is valid only when the function menu item CTL/TC is set to CTL.<br><b>CAP</b> : During cuing up, the tape transport is in the “pinch ON” state (maximum tape speed 10 times normal).<br><b>REEL</b> : During cuing up, the tape transport is in the “pinch OFF” state. As the tape approaches the cue up point and the tape speed drops, the tape transport switches to the “pinch ON” state. <sup>a)</sup><br>To give priority to editing accuracy, select “CAP”. |

- a) When controlled from an editor (BVE-2000/9100 etc.), selecting “REEL” allows high-speed cuing up.

## Menu items in the range 500 to 599, relating to tape protection

| Item number | Item name                        | Settings  |
|-------------|----------------------------------|---|
| 501         | STILL TIMER                      | Select the time delay from the tape transport stopping (either the “stop mode” or the still playback mode in search mode) until the unit automatically switches to the tape protection mode, in order to protect the video heads and the tape.<br><b>0.5S ... [8M] ... 30M</b> : Set the value in the range 0.5 seconds to 30 minutes.  |
| 502         | TAPE PROTECTION MODE FROM SEARCH | Select the operation of the protection mode to protect the video heads and tape when in the still playback mode in search mode (jog/shuttle).<br><b>STEP</b> : Step forward at 1/30 normal speed every 2 seconds.<br><b>STDBY</b> : Switch to “Standby OFF mode” (the unit not on standby).<br><b>T.REL</b> : Switch to tension release mode (the tape tension slackened).  |
| 503         | TAPE PROTECTION MODE FROM STOP   | Select the operation of the protection mode to protect the video heads and tape when stopped (the “stop mode”).<br><b>STDBY</b> : Switch to “Standby OFF mode” (the unit not on standby).<br><b>T.REL</b> : Switch to tension release mode (the tape tension slackened).  |
| 504         | DRUM ROTATION IN STANDBY OFF     | Select whether the drum rotates in “Standby OFF mode”.<br><b>OFF</b> : Drum does not rotate.<br><b>ON</b> : Drum rotates.   |
| 505         | STILL TENSION                    | Select the tape tension state in the still playback mode.<br><b>NORM</b> : Normal tape tension is maintained during still playback mode, ready for playback.<br><b>LOOSE</b> : Reduce the tape tension further from the NORM setting. (Select “LOOSE” when the unit is on standby for a long period of still playback, for example, in a library management system (LMS).)<br><br><b>Note</b><br>When LOOSE is selected, playback cannot be guaranteed. |

## 12-4 Items in the Extended Setup Menu

Menu items in the range 600 to 699, relating to the time code generator

| Item number | Item name           | Settings  |
|-------------|---------------------|---|
| 601         | VITC POSITION SEL-1 | <p><b>In 525-line mode</b><br/>Select a line to insert the VITC in.<br/><b>12H ... [16H] ... 20H:</b> Select any line from 12 to 20.</p> <p><b>Note</b><br/>You can insert the VITC signal in two places. To insert it in two places, set both items 601 and 602.</p> <p><b>In 625-line mode</b><br/>Select a line to insert the VITC in.<br/><b>9H ... [19H] ... 22H:</b> Select any line from 9 to 22.</p> <p><b>Note</b><br/>You can insert the VITC signal in two places. To insert it in two places, set both items 601 and 602.</p> |
| 602         | VITC POSITION SEL-2 | <p><b>In 525-line mode</b><br/>Select a line to insert the VITC in.<br/><b>12H ... [18H] ... 20H:</b> Select any line from 12 to 20.</p> <p><b>Note</b><br/>You can insert the VITC signal in two places. To insert it in two places, set both items 601 and 602.</p> <p><b>In 625-line mode</b><br/>Select a line to insert the VITC in.<br/><b>9H ... [21H] ... 22H:</b> Select any line from 9 to 22.</p> <p><b>Note</b><br/>You can insert the VITC signal in two places. To insert it in two places, set both items 601 and 602.</p> |
| 603         | ID CODE PRESET      | <p>Select whether or not to set the ID code.<br/><b>OFF:</b> Do not set the ID code.<br/><b>ON:</b> Set the ID code.<br/><b>To set the ID code:</b><br/>Press the F5 (SET) button with this menu item displayed in the menu display, to enter the ID code setting mode. You can then set the user ID digit by digit using the ← and → buttons for digit selection. When all required digits have been set correctly, press the F5 (SET) button again to save the ID code and exit from the ID code setting mode.</p>                      |
| 604         | ID CODE SW          | <p>Select whether or not to record the ID code set using item 603 in the user bits.<br/><b>OFF:</b> Record the normal data in the user bits.<br/><b>ON:</b> Record the ID code in the user bits.</p>  |
| 605         | TCG REGEN MODE      | <p>Select the signals to be regenerated when the time code generator is in the regeneration mode (i.e., when the function menu item TCG (F2) is set to REGEN).<br/><b>TC&amp;UB:</b> Both the time code and user bit signals are regenerated.<br/><b>TC:</b> Only the time code signal is regenerated.<br/><b>UB:</b> Only the user bit signal is regenerated.</p>  |

## Menu items in the range 600 to 699, relating to the time code generator (Continued)

| Item number | Item name                      | Settings  |
|-------------|--------------------------------|---|
| 606         | TC OUTPUT SIGNAL IN REGEN MODE | <p>Select the signal output from the TIME CODE OUT connector during normal (×1) speed playback in the following cases:</p> <ul style="list-style-type: none"> <li>• For tape playback when the function menu item TCG (F1) is set to INT and TCG (F2) set to REGEN.</li> <li>• For preroll or postroll playback during automatic editing with the tape.</li> </ul> <p><b>TAPE:</b> During tape playback, the playback time code signal is output without regeneration. (The time code values do not correspond to the video output.)</p> <p><b>REGEN:</b> The playback time code is output after regeneration.</p> <p><b>AUTO:</b> The operation with the AUTO setting is as follows.</p> <ul style="list-style-type: none"> <li>• The playback time code (LTC) signal is output delayed, to coincide with the output video signal.</li> <li>• Operation is independent of the internal time code generator settings or editing state.</li> <li>• The output video signal and LTC are only accurately synchronized for normal speed playback.</li> <li>• If the edit preset is turned on or off, the delay changes, and therefore the time code will be discontinuous.</li> </ul> |
| 607         | U-BIT BINARY GROUP FLAG        | <p>Select the user bits to be used in the time code generated by the time code generator.</p> <p><b>000:</b> Character set not specified</p> <p><b>001:</b> 8-bit characters compliant with ISO 646 and ISO 2022</p> <p><b>010:</b> Undefined</p> <p><b>011:</b> Undefined</p> <p><b>100:</b> Undefined</p> <p><b>101:</b> SMPTE 262M page/line multiplex system</p> <p><b>110:</b> Undefined</p> <p><b>111:</b> Undefined</p>  |
| 608         | PHASE CORRECTION               | <p>Select whether or not to carry out phase correction control on the LTC generated by the time code generator.</p> <p><b>OFF:</b> No control</p> <p><b>ON:</b> Carry out control.</p>  |
| 609         | TCG CF FLAG                    | <p>Select whether or not the color framing flag is set in the blank bit of the time code data.</p> <p><b>OFF:</b> Color framing flag is not set.</p> <p><b>ON:</b> Color framing flag is set.</p> <p><b>AUTO:</b> Color framing flag is set or not depending upon the color framing phase relationship between the recorded video signal and the time code signal. When AUTO is selected, color framing is controlled as follows according to the operating mode of the time code generator.</p> <ul style="list-style-type: none"> <li>• In INT PRESET mode (the function menu item TCG (F1) is set to INT and TCG (F2) set to PRESET, and in modes other than the automatic editing mode): the time code signal is generated with color framing locked to the video signal, and the color framing flag is set.</li> <li>• In INT REGEN mode (the function menu item TCG (F1) is set to INT and TCG (F2) set to REGEN, and in the automatic editing mode), and also in EXT mode (the function menu item TCG (F1) is set to EXT): the time code signal is generated without color framing locked to the video signal, and the color framing flag is not set.</li> </ul>           |

(Continued)

## 12-4 Items in the Extended Setup Menu

Menu items in the range 600 to 699, relating to the time code generator (Continued)

| Item number | Item name            | Settings   |
|-------------|----------------------|--|
| 610         | REGEN CONTROL MODE   | <p>In editing performed using the control panel of this unit, select whether or not the time code is automatically regenerated.</p> <p><b>AS&amp;IN</b>: In automatic editing with this unit as the recorder, regardless of the settings of the function menu items TCG (F1) and TCG (F2), in assemble and insert editing, the time code generator regenerates according to the time code on the tape.</p> <p><b>ASSEM</b>: In automatic editing with this unit as the recorder, regardless of the settings of the function menu items TCG (F1) and TCG (F2), in assemble editing only, the time code generator regenerates according to the time code on the tape.</p> <p><b>MANU</b>: Regardless of whether this unit is the recorder or player, the time code generator operates in accordance with the settings of the function menu items TCG (F1) and TCG (F2).</p> <p><b>FULL</b>: Whether local or remote and regardless of the settings of the function menu items TCG (F1) and TCG (F2), when any of the ASSEMBLE, VIDEO, AUDIO CH1 to CH8, and TC buttons is lit, the time code generator regenerates according to the time code played back from the tape.</p> |
| 651         | UMID OUTPUT          | <p>Select UMID output and the UMID type.</p> <p><b>off</b>: Do not output UMID.</p> <p><b>BASIC</b>: Output Basic UMID.</p> <p><b>EXTENDED</b>: Output Extended UMID.</p> <p><b>Notes</b></p> <ul style="list-style-type: none"> <li>• Even if EXTENDED is selected, Basic UMID is output if Basic UMID is recorded on the tape being played back.</li> <li>• When menu item 901 VIDEO OUTPUT DATA is set to "8 bit", nothing of UMID is output regardless of the setting of this menu item.</li> </ul>  |
| 652         | UMID SD VANC LINE    | <p>Specify the SDI signal VANC line into which the UMID should be inserted.</p> <p><b>12H, 13H, 15H, 16H, 17H, 18H, 19H (DVW-M2000/2000)</b><br/> <b>9H, 10H, 12H, 13H, 14H, 15H, 16H, 17H, 18H (DVW-M2000P/2000P)</b></p> <p><b>Notes</b></p> <ul style="list-style-type: none"> <li>• When SDI signals containing a UMID are output in E-E mode, the output VANC line follows the input VANC line, regardless of the setting of this item.</li> <li>• The output VANC line during playback follows the setting for recording.</li> </ul>   |
| 654         | UMID GENERATE METHOD | <p>Select the Instance No. generation method when the UMID is inherited.</p> <p><b>copy No. + 16bit PRS</b>: Copy No. + 16-bit random number<br/> <b>24bit PRS</b>: 24-bit random number</p> <p><b>Note</b></p> <p>When menu item 656 is set to NEW (an Instance Number indicating that this is the original is generated), the same value (all zeros) is generated regardless of which of the above methods is selected.</p>  |
| 655         | UMID RECORDING       | <p>Select the UMID type to be recorded to tape.</p> <p><b>off</b>: Do not record UMID.</p> <p><b>BASIC</b>: Record Basic UMID.</p> <p><b>EXTENDED</b>: Record Extended UMID.</p>   |

## Menu items in the range 600 to 699, relating to the time code generator (Continued)

| Item number | Item name                      | Settings  |
|-------------|--------------------------------|---|
| 656         | MATERIAL NO.                   | <p>Select whether to inherit the UMID in the input signal when recording a UMID.</p> <p><b>INPUT</b>: Inherit the UMID in the input signal, if it is present.</p> <ul style="list-style-type: none"> <li>• Even when INPUT is selected, a new UMID is generated if the input signal does not contain UMID data (the same behavior as when NEW is selected).</li> <li>• When recording with inherited data, the Instance Number is newly generated according to menu item 654, changing to a value that indicates that “this is a copy”.</li> <li>• When the UMID in the input signal is a Basic UMID, a Basic UMID is recorded, even if menu item 655 is set to EXTENDED.</li> <li>• When the UMID in the input signal is an Extended UMID, the recorded UMID follows the setting of menu item 655.</li> </ul> <p><b>NEW</b>: Generate a new UMID, regardless of whether or not the input signal contains a UMID.</p> <ul style="list-style-type: none"> <li>• The Basic section does not change during recording.</li> <li>• An Instance Number indicating that “this is the original” is generated.</li> <li>• The Source Pack Date/Time (when) changes with each frame.</li> <li>• The Source Pack Spatial Co-ordinates (where) are not recorded.</li> <li>• The Source Pack Stored Ownership (who) can be set. (See the section “To set Stored Ownership” (page 8-2)).</li> </ul> |
| 657         | ESSENCE MARK TAPE OUTPUT       | <p>Select whether or not to output essence marks recorded on the tape during playback.</p> <p><b>off</b>: Do not output.<br/><b>on</b>: Output.</p> <p><b>Note</b></p> <p>When menu item 901 VIDEO OUTPUT DATA is set to “8 bit”, nothing of UMID is output regardless of the setting of this menu item.</p>  |
| 658         | SHOT MARK ESSENCE MARK CONVERT | <p>Select whether or not to convert into essence marks and output shot marks recorded in the LTC track which are detected during playback.</p> <p><b>off</b>: Do not output.<br/><b>SHOTM</b>: Output.</p> <p>Depending on the type of the detected shot marks, the output essence marks are “_RecStart”, “_ShotMark1”, or “_ShotMark2”.</p> <p><b>Notes</b></p> <ul style="list-style-type: none"> <li>• Of the shot marks, post marks are not converted to essence marks.</li> <li>• Shot mark detection timing depends on playback conditions.</li> <li>• When menu item 901 VIDEO OUTPUT DATA is set to “8 bit”, nothing of UMID is output regardless of the setting of this menu item.</li> </ul>  |
| 659         | AED ESSENCE MARK CONVERT       | <p>Select whether or not to convert into essence marks and output events detected during playback by the AED (Auto Event Detector).</p> <p><b>off</b>: Do not output.<br/><b>on</b>: Output.</p> <p><b>Note</b></p> <p>When menu item 901 VIDEO OUTPUT DATA is set to “8 bit”, nothing of UMID is output regardless of the setting of this menu item.</p>   |
| 660         | ESSENCE MARK SD VANC LINE      | <p>Specify the VANC line into which to insert essence marks during video recording and playback.</p> <p><b>12H, 13H, 15H, 16H, 17H, 18H, 19H (DVW-M2000/2000)</b><br/><b>9H, 10H, 12H, 13H, 14H, 15H, 16H, 17H, 18H (DVW-M2000P/2000P)</b></p> <p><b>Notes</b></p> <ul style="list-style-type: none"> <li>• The output VANC line during playback follows the setting for recording.</li> <li>• The VANC line for SDI signal E-E output of essence marks contained in the input SDI signal follows the input.</li> </ul>   |

(Continued)

## 12-4 Items in the Extended Setup Menu

Menu items in the range 600 to 699, relating to the time code generator (Continued)

| Item number | Item name                              | Settings  |   |
|-------------|--|---|---|
| 661         | ESSENCE MARK INPUT RECORD              | Select whether or not to record essence marks contained in the video input.<br><b>off</b> : Do not record.<br><b>on</b> : Record.   |   |
| 662         | ESSENCE MARK SELF RECORD               | Select whether or not to record to tape essence marks generated by this unit when recording video.  |   |
|             | Sub items                              |   |   |
|             | 1                                      | crash rec   | Select whether or not to record essence marks during crash recording.<br><b>off</b> : Do not record.<br><b>on</b> : Record “_RecStart” essence mark in the recording start frame.         |
|             | 2                                      | assemble  | Select whether or not to record essence marks during assemble edit recording.<br><b>off</b> : Do not record.<br><b>on</b> : Record “_RecStart” essence mark in the recording start frame. |
| 3           | insert                                 | Select whether or not to record essence marks during insert edit recording.<br><b>off</b> : Do not record.<br><b>on</b> : Record “_RecStart” essence mark in the recording start frame, and record “_RecEnd” essence mark in the recording end frame.   |   |
| 663         | UMID OUT DUP                           | Select whether, when playing back (PLAY) Digital Betacam, to output UMID data recorded in the 1st field to the 2nd field.<br><br><b>OFF</b> : UMID is not output to the 2nd field when essence marks are recorded in the 2nd field.<br><b>ON</b> : Output the same UMID as the 1st field to the 2nd field.<br><br>UMID or essence marks are recorded in the 2nd field.<br>When it is necessary to record both UMID and essence marks, essence marks are recorded and UMID is not recorded in the 2nd field. |   |
| 664         | DIGITAL BETACAM ESSENCE MARK OUT SHIFT | Select whether or not, when using a Digital Betacam player, to output to the next frame (1st/2nd field) essence mark data which is recorded in the 2nd field.<br><b>off</b> : Do not output essence marks to the next frame.<br><b>on</b> : Output essence marks to the next frame (do not output in original frame).   |   |

## Menu items in the range 700 to 799, relating to video control

| Item number              | Item name                         |                        | Settings  |
|--------------------------|-----------------------------------|------------------------|---|
| 701                      | SELECTION OF VIDEO/<br>SYNC DELAY |                        | In E-E mode the video signal is output delayed with respect to the video input signal by the time for video circuit processing. With this item, select whether or not to delay the sync signal attached to the output video signal by an amount corresponding to the delay.<br><b>SYNC</b> : Delay the sync signal by the corresponding amount before attaching it.<br><b>VIDEO</b> : Attach a sync signal with the same timing as the input signal.                |
| 703                      | BLANK LINE SELECT                 |                        | Switch blanking on or off for individual lines in the vertical blanking interval. The Y/C signal and odd/even fields are blanked simultaneously.<br><br><b>Note</b><br>For playback of an analog Betacam cassette (Betacam SP, etc.) regardless of the setting of this item, the chrominance signal is blanked up to line 15.   |
|                          | Sub-Item                          |                        |   |
|                          | 0                                 | ALL LINE               | <b>---</b> : Specify the blanking for each line separately.<br><b>BLANK</b> : Regardless of the setting of other sub-items, blank all lines which can be specified in this menu item.<br><b>THROU</b> : Regardless of the setting of other sub-items, switch off blanking for all lines which can be specified in this menu item.   |
| DVW-M2000/<br>2000       | 12 ...<br>19                      | LINE 12 ... LINE<br>19 | Specify blanking for lines 12 to 19.<br><b>BLANK</b> : Carry out blanking.<br><b>THROU</b> : Switch off blanking.   |
|                          | 20                                | LINE 20                | Specify blanking for lines 20.<br><b>BLANK</b> : Carry out blanking.<br><b>HALF</b> : Carry out half-blanking.<br><b>THROU</b> : Switch off blanking.   |
| DVW-<br>M2000P/<br>2000P | 9 ... 22                          | LINE 9 ... LINE 22     | Specify blanking for lines 9 to 22.<br><b>BLANK</b> : Carry out blanking.<br><b>THROU</b> : Switch off blanking.  |
|                          | 23                                | LINE 23                | Specify blanking for lines 23.<br><b>HALF</b> : Carry out half-blanking.<br><b>THROU</b> : Switch off blanking.   |
| 704                      | DECODE Y/C SEP MODE               |                        | Select the method of processing the input video signal in the vertical blanking interval, independently for each line.  |
|                          | Sub-Item                          |                        |   |
| DVW-M2000/<br>2000       | 12 ...<br>20                      | LINE 12 ... LINE<br>20 | Make the selection for lines 12 to 20.<br><b>BPF</b> : Carry out Y/C separation.<br><b>B&amp;W</b> : Treat all as luminance signals.  |
|                          | 21...<br>22                       | LINE 21 ... LINE<br>22 | Make the selection for lines 21 to 22.<br><b>BPF</b> : Carry out Y/C separation.<br><b>B&amp;W</b> : Treat all as luminance signals.<br><b>COMB</b> : Process with an appropriate Y/C separation.   |
| DVW-<br>M2000P/<br>2000P | 9 ... 22                          | LINE 9 ... LINE 22     | Make the selection for lines 9 to 22.<br><b>BPF</b> : Carry out Y/C separation.<br><b>B&amp;W</b> : Treat all as luminance signals.   |
| 705                      | EDGE SUBCARRIER<br>REDUCER MODE   |                        | During recording and playback of a composite signal, in the playback circuit the edge subcarrier reducer (ESR) is automatically switched on or off according to the VTR operation. When recording a "Non-Standard" signal, for example, if the color edges are not as good as with a proper signal, the ESR can be forced on. This item makes this selection.<br><b>AUTO</b> : ESR is switched on and off automatically.<br><b>ON</b> : ESR operation is forced on. |

(Continued)

## 12-4 Items in the Extended Setup Menu

Menu items in the range 700 to 799, relating to video control (Continued)

| Item number | Item name                                | Settings  |         |            |         |        |         |         |             |        |        |        |         |                |        |        |        |
|-------------|--|---|---------|------------|---------|--------|---------|---------|-------------|--------|--------|--------|---------|----------------|--------|--------|--------|
| 707         | FORCED VERTICAL INTERPOLATION OFF        | The “Y-add” function <sup>a)</sup> is normally switched on automatically during jog or variable speed playback. This item selects whether or not to force the “Y-add” function off.<br><b>AUTO</b> : Automatically switch the “Y-add” function on.<br><b>OFF</b> : Force the “Y-add” function off.  |         |            |         |        |         |         |             |        |        |        |         |                |        |        |        |
| 709         | CAV LEVEL FORMAT (DVW-M2000/M2000P only) | Select whether the analog component input/output should be D-1 or Betacam.<br><table border="1" data-bbox="613 463 1479 576"> <thead> <tr> <th>Format</th> <th>Color bars</th> <th>Y Video</th> <th>Y Sync</th> <th>R–Y/B–Y</th> </tr> </thead> <tbody> <tr> <td>D-1 CAV</td> <td>100/0/100/0</td> <td>700 mV</td> <td>300 mV</td> <td>700 mV</td> </tr> <tr> <td>Betacam</td> <td>100/7.5/77/7.5</td> <td>714 mV</td> <td>286 mV</td> <td>700 mV</td> </tr> </tbody> </table>  | Format  | Color bars | Y Video | Y Sync | R–Y/B–Y | D-1 CAV | 100/0/100/0 | 700 mV | 300 mV | 700 mV | Betacam | 100/7.5/77/7.5 | 714 mV | 286 mV | 700 mV |
|             | Format                                   | Color bars  | Y Video | Y Sync     | R–Y/B–Y |        |         |         |             |        |        |        |         |                |        |        |        |
|             | D-1 CAV                                  | 100/0/100/0   | 700 mV  | 300 mV     | 700 mV  |        |         |         |             |        |        |        |         |                |        |        |        |
|             | Betacam                                  | 100/7.5/77/7.5  | 714 mV  | 286 mV     | 700 mV  |        |         |         |             |        |        |        |         |                |        |        |        |
| Sub-Item    |  |   |         |            |         |        |         |         |             |        |        |        |         |                |        |        |        |
| 0           | INPUT CAV LEVEL                          | Select the analog component input format.<br><b>B-CAM</b> : Betacam<br><b>D1</b> : D-1  |         |            |         |        |         |         |             |        |        |        |         |                |        |        |        |
| 1           | OUTPUT CAV LEVEL                         | Select the analog component output format.<br><b>B-CAM</b> : Betacam<br><b>D1</b> : D-1   |         |            |         |        |         |         |             |        |        |        |         |                |        |        |        |
| 710         | INTERNAL VIDEO SIGNAL GENERATOR          | Select the test signal to be output from the VTR’s internal test signal generator.<br><b>OFF</b> : No test signal is generated. (The VTR operates normally.)<br><b>CB100</b> : 100% color bar signal<br><b>CB100</b> : 100% color bar signal (DVW-M2000P/2000P)<br><b>CB75</b> : 75% color bar signal (DVW-M2000/2000)<br><b>CB75R</b> : 75% color bar signal (reverse)<br><b>BOW</b> : Bowtie signal<br><b>PLSBR</b> : Pulse & bar signal<br><b>MLTBS</b> : Multi-burst signal<br><b>HSWP</b> : H sweep signal<br><b>5STEP</b> : 5-step signal<br><b>RAMP</b> : Ramp signal<br><b>SH</b> : Shallow ramp signal<br><b>RED</b> : Red signal<br><b>GRAY</b> : 50% flat signal<br><b>WHITE</b> : 100% flat signal<br><b>BB</b> : Black burst signal<br><b>SDI</b> : SDI check field signal<br><b>NTC7</b> : NTC 7 test signal (DVW-M2000/2000)<br><b>LN330</b> : Line 330 test signal (DVW-M2000P/2000P)<br>To turn on the internal test signal generator, hold the F1 (VID.IN) button in function menu HOME page for three seconds or more with this menu item set to other than OFF. When the test signal generator is turned on, the display of the VID.IN setting changes to SG. To turn off the test signal generator, press the F1 (VID.IN) button in function menu HOME page again. |         |            |         |        |         |         |             |        |        |        |         |                |        |        |        |

- a) The “Y-add” function is a circuit operation to interpolate the video signal vertically during jog or variable speed playback for the purpose of reducing the vertical movement of the playback picture.



## Menu items in the range 700 to 799, relating to video control (Continued)

| Item number | Item name  | Settings   |
|-------------|--|--|
| 712         | VIDEO PROCESS ON<br>CAP LOCK 2FIELD                | <p>When the function menu item CAPSTN or menu item 106 is set to 2F for 2-field playback, select whether or not to carry out a "picture shift".</p> <p><b>OFF</b>: No picture shift<br/><b>ON</b>: Carry out picture shift.</p> <p><b>Note</b></p> <p>To eliminate the adverse effect of the residual chrominance subcarrier component in the Y signal that is the result of the Y/C separation, this unit automatically applies a shift to the playback image in the H direction, so that even in 2-field playback a satisfactory image can be obtained.</p>  |
| 713         | VIDEO SETUP<br>REFERENCE LEVEL<br>(DVW-M2000 only) | <p>Set the video setup amounts to be removed from a recording signal and Betacam playback signal, and to be added to a composite output signal. There are independent settings for a recording signal (referred to below as an input signal), a Betacam signal, and a composite output signal (referred to below as an output signal).</p> <p><b>Notes</b></p> <ul style="list-style-type: none"> <li>• Setup removal is carried out only with respect to a Betacam format CAV input signal (menu setting) and NTSC composite input signal. It is not carried out with respect to other input signals.</li> <li>• The setup amounts specified in this menu item have no connection with the function menu item SETUP.</li> </ul> |
|             | Sub-Item   |  |
| 0           | MASTER LEVEL                                       | <p>When the input signal, Betacam playback signal, and output signal settings are "MSTER" (master), the setup amount specified for this sub-item is removed from the input signal and Betacam playback signal, and is added to the output signal.</p> <p><b>0.0% ... [7.5%] ... 10.0%</b>: Setting in this range, in 0.5% increments.</p>  |
| 1           | INPUT LEVEL  | <p><b>MSTER</b>: Set the input signal to the master setting.</p> <p><b>0.0% ... 7.5% ... 10.0%</b>: Set the setup amount to be removed from the input signal in this range, in 0.5% increments.</p>  |
| 2           | INPUT VBLK CONT                                    | <p><b>REMOV</b>: Remove the setup amount in the vertical blanking interval of the input signal.</p> <p><b>THROU</b>: Do not remove the setup amount in the vertical blanking interval of the input signal.</p>   |
| 3           | BETACAM PB LEVEL<br>(DVW-M2000/M2000P)             | <p><b>MSTER</b>: Set the Betacam playback signal to the master setting.</p> <p><b>0.0% ... 7.5% ... 10.0%</b>: Set the setup amount to be removed from the Betacam playback signal in this range, in 0.5% increments.</p>  |
| 4           | OUTPUT LEVEL                                       | <p><b>MSTER</b>: Set the output signal to the master setting.</p> <p><b>0.0% ... 7.5% ... 10.0%</b>: Set the setup amount to be added to the output signal in this range, in 0.5% increments.</p>  |

(Continued)

## 12-4 Items in the Extended Setup Menu

Menu items in the range 700 to 799, relating to video control (Continued)

(Items 715 to 721: Settings for controlling the video processing system according to the menu settings)

| Item number | Item name   | Settings  |
|-------------|---|---|
| 715         | VIDEO GAIN CONTROL  | Adjust the video output level.<br><b>-2048 to 0 to +848</b>                                       |
| 716         | CHROMA GAIN CONTROL   | Adjust the chroma output level.<br><b>-2048 to 0 to +848</b>                                      |
| 717         | CHROMA PHASE CONTROL  | Adjust the chroma phase.<br><b>-128 to 0 to +127</b>  |
| 718         | SETUP LEVEL (DVW-M2000/2000)/BLACK LEVEL (DVW-M2000P/2000P) | Adjust the setup level (black level).<br><b>-272 to 0 to +272</b>                                 |
| 719         | SYSTEM PHASE SYNC   | Adjust the output signal sync phase.<br><b>-128 to 0 to +127</b>                                  |
| 720         | SYSTEM PHASE SC   | Adjust the output signal subcarrier phase.<br><b>0 to 1023</b>                                    |
| 721         | Y/C DELAY (DVW-M2000/M2000P only)                           | For playback from an analog Betacam cassette, adjust the Y/C delay.<br><b>-2048 to 0 to +2047</b> |

### Note

When you make settings for items 715 to 721, set the function menu item V.PROC to MENU.

When it is set to MENU, all controls for video output processing on the control panel are disabled.

| Item number      | Item name         | Settings  |   |
|------------------|-------------------|---|---|
| 723              | INPUT VIDEO BLANK | Switch blanking on or off for individual lines in the vertical blanking interval of an input video signal. The Y/C signal and odd/even fields are blanked simultaneously. |   |
|                  | Sub-Item          | A signal with blanking carried out according to this setting is recorded.   |   |
|                  | 0                 | ALL LINE  | <b>---</b> : Specify the blanking for each line separately.<br><b>BLANK</b> : Regardless of the setting of other sub-items, blank all lines which can be specified in this menu item.<br><b>THROU</b> : Regardless of the setting of other sub-items, switch off blanking for all lines which can be specified in this menu item. |
| DVW-M2000/2000   | 12 ... 20         | LINE 12 ... LINE 20   | Specify blanking for lines 12 to 20.<br><b>BLANK</b> : Carry out blanking.<br><b>THROU</b> : Switch off blanking.   |
| DVW-M2000P/2000P | 9 ... 22          | LINE 9 ... LINE 22  | Specify blanking for lines 9 to 22.<br><b>BLANK</b> : Carry out blanking.<br><b>THROU</b> : Switch off blanking.  |

## Menu items in the range 700 to 799, relating to video control (Continued)

| Item number | Item name                   | Settings  |
|-------------|-----------------------------|---|
| 726         | H BLANKING WIDTH            | <p>Select the horizontal blanking width of the video output signal.</p> <p><b>NAROW</b>: Digital blanking (narrow)<br/> <b>WIDE</b>: Analog blanking (wide)</p> <p>When WIDE is selected, the horizontal blanking width complies with RS170A, and normally the blanking is widened and the image becomes narrower. It is recommended to select NAROW at the editing stage, then later, for broadcast transmission to select WIDE, to output a signal conforming to the standard. Note, however, that NAROW has to be always selected for SDI signals.</p>   |
| 727         | VIDEO EDIT PREVIEW SWITCHER | <p>Set the output phase for the video playback signal when any of the ASSEMBLE, VIDEO, AUDIO CH1 to CH4, CUE, and TC buttons is lit.</p> <p><b>INT</b>: The video playback signal output phase is the same as the output phase in E-E mode. Use this setting when editing with a single VTR, or when previewing while watching the VTR output signal.</p> <p><b>EXT</b>: The video playback signal output phase is the same as the phase of an input video signal or external reference signal.</p> <p><b>Note</b></p> <p>Whichever setting is used, the correct editing results will be obtained. When, however, you are using an external switcher to switch the video output signal from this unit for the purposes of preview, select EXT. This will prevent any image shifts at editing IN and OUT points.</p> |
| 728         | OUTPUT SCH PHASE            | <p>Set the subcarrier H phase.</p> <p><b>-2048 to 0 to +2047</b></p>  |
| 733         | C.PHASE TYPE                | <p>Select the PAL chroma phase type. (DVW-M2000P/2000P)</p> <p><b>HUE</b>: Vary the hue.<br/> <b>L.ALT</b>: Vary the SC phase of composite output.</p>  |

## 12-4 Items in the Extended Setup Menu

Menu items in the range 800 to 899, relating to audio control

| Item number | Item name                          | Settings  |
|-------------|------------------------------------|---|
| 801         | DIGITAL JOG SOUND                  | Turns the digital jog sound on and off.<br><b>OFF</b> : Digital jog sound is turned off.<br>Audio of digital channels not subjected to speed correction is output. When the tape stops, after one second the audio is muted.<br><b>ON</b> : Digital jog sound is turned on.<br>When the tape speed is in the range $\times -1$ to $\times 1$ (for Betacam SX playback, in the range $\times -1$ to $\times 2$ ), speed correction is carried out, and the same jog sound as a conventional analog VTR is output.  |
| 802         | DIGITAL AUDIO MUTE IN SHUTTLE MODE | Set the digital audio muting conditions during shuttle playback.<br><b>OFF</b> : Not muted.<br><b>CUEUP</b> : Muted during cue-up or preroll operations.<br><b>FULL</b> : Muted in shuttle mode.  |
| 803         | DIGITAL AUDIO FADE TIME            | Specify the time for cross-fade or fade in/out editing of audio signals.<br><b>5 ms, 10 ms, 15 ms, 20 ms, 25 ms<sup>a)</sup>, 50 ms<sup>b)</sup>, 85 ms, 115 ms<sup>c)</sup></b><br><br><b>Note</b><br>The cross-fade or fade in/out operation means that the recording is rewritten from the OUT point for the length specified by this setting. Even at the minimum 5 ms setting, a length of recording corresponding to a field is rewritten. To avoid rewriting, set menu item 317 AUDIO EDIT MODE to "CUT", but in this case there is an audio discontinuity at the edit point. There is no effect on the recorded video signal. |
| 805         | AUDIO MONITOR OUTPUT MIXING        | Select the audio mixing method used for digital audio signals and Betacam playback analog audio signals supplied to the MONITOR OUTPUT connector.<br><b>ADD</b> : Simple addition<br><b>RMS</b> : Root-mean-square<br><b>AVE</b> : Simple average   |
| 806         | LEVEL METER SCALE                  | Select the mode in which digital audio levels are displayed.<br><b>PEAK.0</b> : Displays the audio level as negative values with the maximum level set to 0 dB.<br><b>REF.0</b> : Displays the audio level as positive and negative values with the reference level set to 0 dB.  |

- a) Cross-fade time is 24 ms.
- b) Actual value is 49 ms.
- c) Actual value is 114 ms.

## Menu items in the range 800 to 899, relating to audio control (Continued)

| Item number | Item name                        | Settings  |
|-------------|----------------------------------|---|
| 807         | AUDIO OUTPUT PHASE               | Select the output timing of digital audio playback signals: (SDI and AES/EBU only). The reference position corresponds to a setting of 80H; when the setting is less than 80H, the output timing is advanced, and when it is higher than 80H, the output timing is delayed. (at 80H, 128 samples = approx. 2.7 ms, and 1 sample=approx. 20 $\mu$ s)<br><b>0 ... 80 ... FF</b> : Setting in this range   |
| 808         | INTERNAL AUDIO SIGNAL GENERATOR  | Select the operation of the internal audio test signal generator.<br><b>OFF</b> : No operation<br><b>SILNC</b> : Silent signal<br><b>1KHZ</b> : At 1 kHz, -20 dB FS sine wave is supplied to all audio input channels. To turn on the internal audio test signal generator, set this menu item to other than OFF, then hold the audio signal selection button for CH1 (channel 1) for three seconds or more. When the test signal generator is turned on, the input signal indicator in the audio setting display section turns off. To turn off the test signal generator, press the audio signal selection button for any of CH1 to CH4 (channels 1 to 4).  |
| 809         | AUDIO LEVEL METER DIMMER CONTROL | Set the brightness of the audio level meters.<br><b>0... 7</b> : Set in this range. 0 is the brightest, and 7 the dimmest.  |
| 810         | AUDIO EDIT PREVIEW SWITCHER      | Set the output phase for the audio playback signal when any of the ASSEMBLE, VIDEO, AUDIO CH1 to CH4, CUE, and TC buttons is lit.<br><b>INT</b> : The audio playback signal output phase is the same as the output phase in the E-E mode. Use this setting when editing with a single VTR, or when previewing while watching the VTR output signal.<br><b>EXT</b> : The audio playback signal output phase is the same as the phase of an input video signal or external reference video signal.<br><br><b>Note</b><br>Whichever setting is used, the correct editing results will be obtained. When, however, you are using an external switcher to switch the audio output signal from this unit for the purposes of preview, selecting EXT will prevent any muting or discontinuities in the audio at editing IN and OUT points. |
| 815         | AUDIO SAMPLING RATE CONVERTER    | Select the mode of operation of the sampling rate converter for AES/EBU input to channels 1 to 4.<br><b>OFF</b> : No operation<br><b>44kHz</b> : Operate. Choose this setting when the input signal sampling frequency is 44 to 48 kHz.<br><b>32kHz</b> : Operate. Choose this setting when the input signal sampling frequency is 32 kHz.  |

(Continued)

## 12-4 Items in the Extended Setup Menu

Menu items in the range 800 to 899, relating to audio control (Continued)

| Item number | Item name   | Settings  |   |
|-------------|---|---|---|
| 823         | NAU FLG PB  | Controls the non-audio flag when the playback format is Digital Betacam or Betacam SX.  |   |
|             | Sub-item  |   |   |
|             | 1   | CH1/CH2   | During playback (except E-E mode), sets the digital audio non-audio flag as follows.  |
|             | 2   | CH3/CH4   |   |
|             | 3   | CCH5/CH6<br>(DVW-M2000/<br>M2000P only)<br>Valid only for an<br>MPEG IMX format<br>8-channel<br>recording tape  | <b>OFF</b> : OFF (the data is audio)<br><b>ON</b> : ON (the data is non-audio)<br><b>AUTO</b> : As follows, depending on whether tape data has been confirmed. <ul style="list-style-type: none"> <li>• Tape data has been read and confirmed: ON or OFF, according to the data.</li> <li>• Tape data has not been confirmed: Current state is maintained.</li> </ul> |
| 4           | CH7/CH8<br>(DVW-M2000/<br>M2000P only)<br>Valid only for an<br>MPEG IMX format<br>8-channel<br>recording tape | <b>Notes</b> <ul style="list-style-type: none"> <li>• During playback of analog tapes, the non-audio flag is OFF regardless of the setting of this item.</li> <li>• In the MPEG IMX format, operation is the same as for the OFF setting or AUTO setting.</li> <li>• Recording operation follows the setting of maintenance menu item M372.</li> </ul> <i>For more information about the maintenance menu item M372, refer to the Maintenance Manual.</i> |   |
| 824         | ANALOG OUTPUT SELECT  | Select the analog audio signals (tracks 1 to 8) to be assigned to audio output channels 1 to 4.   |   |
|             | Sub-item  |   |   |
|             | 1   | CH1/CH2   | <b>tr1/2</b> : Assign tracks 1 and 2 to audio output channels 1 and 2<br><b>tr3/4</b> : Assign tracks 3 and 4 to audio output channels 1 and 2<br><b>tr5/6</b> : Assign tracks 5 and 6 to audio output channels 1 and 2<br><b>tr7/8</b> : Assign tracks 7 and 8 to audio output channels 1 and 2  |
|             | 2   | CH3/CH4   | <b>tr1/2</b> : Assign tracks 1 and 2 to audio output channels 3 and 4<br><b>tr3/4</b> : Assign tracks 3 and 4 to audio output channels 3 and 4<br><b>tr5/6</b> : Assign tracks 5 and 6 to audio output channels 3 and 4<br><b>tr7/8</b> : Assign tracks 7 and 8 to audio output channels 3 and 4  |
| 825         | AUDIO ADVANCE MODE  | Set the audio signal output phase.<br><b>OFF</b> : Same as the video output phase<br><b>ON</b> : One frame ahead of the video output phase  |   |

## Menu items in the range 800 to 899, relating to audio control (Continued)

| Item number | Item name   | Settings   |  |
|-------------|---|--|--|
| 826         | AUDIO PB VOLUME SELECT<br>(DVW-M2000/M2000P only) | Selects which PB control knobs are assigned to control playback of digital audio channels.   |  |
|             | Sub-item  |  |  |
|             | 0   | ALL CH   | <b>DEFAULT</b> : Use the following settings.<br><b>CH1</b> : Control knob 1<br><b>CH2</b> : Control knob 2<br><b>CH3</b> : Control knob 3<br><b>CH4</b> : Control knob 4<br><b>CH5</b> : Unity<br><b>CH6</b> : Unity<br><b>CH7</b> : Unity<br><b>CH8</b> : Unity<br><b>UNITY</b> : Set all channels to unity, and disable the control knobs.<br><b>MENU</b> : Use the following menu settings. |
|             | 1   | CH1  | <b>UNITY</b> : Set playback level to unity.  |
|             | 2   | CH2  | <b>VOL1</b> : Assign playback level control to control knob 1.   |
|             | 3   | CH3  | <b>VOL2</b> : Assign playback level control to control knob 2.   |
|             | 4   | CH4  | <b>VOL3</b> : Assign playback level control to control knob 3.   |
|             | 5   | CH5  | <b>VOL4</b> : Assign playback level control to control knob 4.   |
|             | 6   | CH6  |  |
| 7           | CH7   |  |  |
| 8           | CH8   |  |  |
| 827         | AES/EBU AUDIO OUTPUT SELECT                       | Select the audio signals (tracks 1 to 8) to be assigned to AES/EBU digital audio output tracks 1 to 4.<br><br><b>Note</b><br>The settings tr5/6 and tr7/8 are only valid for MPEG IMX playback on the DVW-M2000/M2000P.  |  |
|             | Sub-item  |  |  |
|             | 1   | CH1/CH2  | <b>tr1/2</b> : Assign tracks 1 and 2 to audio output channels 1 and 2.<br><b>tr3/4</b> : Assign tracks 3 and 4 to audio output channels 1 and 2.<br><b>tr5/6</b> : Assign tracks 5 and 6 to audio output channels 1 and 2.<br><b>tr7/8</b> : Assign tracks 7 and 8 to audio output channels 1 and 2.   |
| 2           | CH3/CH4   | <b>tr1/2</b> : Assign tracks 1 and 2 to audio output channels 3 and 4.<br><b>tr3/4</b> : Assign tracks 3 and 4 to audio output channels 3 and 4.<br><b>tr5/6</b> : Assign tracks 5 and 6 to audio output channels 3 and 4.<br><b>tr7/8</b> : Assign tracks 7 and 8 to audio output channels 3 and 4. |  |
| 828         | SDI AUDIO OUTPUT SELECT                           | Select the audio signals (tracks 1 to 8) to be assigned to SDI audio signal output channels.<br><br><b>Note</b><br>The settings tr5/6 and tr7/8 are only valid for MPEG IMX playback on the DVW-M2000/M2000P.  |  |
|             | Sub-item  |  |  |
|             | 1   | CH1/CH2  | <b>tr1/2</b> : Assign tracks 1 and 2 to audio output channels 1 and 2.<br><b>tr3/4</b> : Assign tracks 3 and 4 to audio output channels 1 and 2.<br><b>tr5/6</b> : Assign tracks 5 and 6 to audio output channels 1 and 2.<br><b>tr7/8</b> : Assign tracks 7 and 8 to audio output channels 1 and 2.   |
| 2           | CH3/CH4   | <b>tr1/2</b> : Assign tracks 1 and 2 to audio output channels 3 and 4.<br><b>tr3/4</b> : Assign tracks 3 and 4 to audio output channels 3 and 4.<br><b>tr5/6</b> : Assign tracks 5 and 6 to audio output channels 3 and 4.<br><b>tr7/8</b> : Assign tracks 7 and 8 to audio output channels 3 and 4. |  |

## 12-4 Items in the Extended Setup Menu

Menu items in the range 900 to 999, relating to digital processing

| Item number | Item name                     | Settings   |
|-------------|-------------------------------|--|
| 901         | VIDEO OUTPUT DATA             | <p>Set the bit length for SDI video output data.</p> <p><b>8bit</b>: Set the bit length to 8 bits.</p> <p><b>10bit</b>: Set the bit length to 10 bits.</p> <p>It is recommended that you select the optimal setting for the device to which you are going to connect this unit.</p>  |
| 903         | FREEZE MODE                   | <p>Select the freeze mode and freeze timing.</p> <p><b>FIELD</b>: Freeze a video field. Field may be odd or even, according to the timing.</p> <p><b>FLD1</b>: Freeze an odd field.</p> <p><b>FLD2</b>: Freeze an even field.</p> <p><b>FRM12</b>: Freeze a frame consisting of an odd field and following even field.</p> <p><b>FRM21</b>: Freeze a frame consisting of an even field and following odd field. Odd and even fields are distinguished by the reference video signal. Changing the menu setting during a freeze does not affect the freeze image. The setting is reflected the next time a freeze is carried out.</p> <p>You can freeze an image using the DELETE button and TRIM + button.</p> <p><i>For details, see menu item 904.</i></p>       |
| 904         | FREEZE CONTROL FROM KEY PANEL | <p>Determine how the buttons used to freeze an image function.</p> <p><b>MOMNT</b>: Holding the DELETE button and pressing the TRIM + button carries out a freeze. The freeze ends when the buttons are released.</p> <p><b>LATCH</b>: Holding the DELETE button and pressing the TRIM + button carries out a freeze. The freeze continues even after the buttons are released.</p> <ul style="list-style-type: none"> <li>To update the freeze image<br/>Hold the DELETE button and press the TRIM + button again.</li> <li>To end the freeze<br/>Hold the DELETE button and press the TRIM – button.</li> </ul>  |
| 905         | AUTO FREEZE CONTROL           | <p>Set the auto freeze function operation (conditions for ending a freeze, etc.). In normal playback, if there is a sudden worsening of the channel condition (entry into unrecorded area), this function freezes the image.</p> <p><b>DIS</b>: Disable the auto freeze function.</p> <p><b>MODE1</b>: End the freeze when signals which can be recorded normally are restored.</p> <p><b>MODE2</b>: End freeze automatically on playback after stopping.</p> <ul style="list-style-type: none"> <li>The automatic freeze mode is determined by item 903.</li> <li>The freeze is ended immediately, regardless of the above conditions, when this unit is switched to any of the following modes:<br/>Eject<br/>EDIT preset on<br/>Cue up<br/>Recording</li> </ul> |
| 906         | STOP FREEZE CONTROL           | <p>Select whether or not the STOP FREEZE function should operate.</p> <p><b>DIS</b>: Does not operate.</p> <p><b>ENA</b>: Operates.</p>  |
| 920         | SD-SDI H-ANC                  | Select whether or not to add information to the SDI output.  |
|             | Sub-item                      |  |
|             | 1                             | AUDIO 5CH-8CH (DVW-M2000/M2000P only)  |
| 2           | RP-188 ATC                    | <input type="checkbox"/> ON<br><input type="checkbox"/> OFF Select whether to add RP-188 time code data (ON), or not (OFF).  |



# 13-1 Overview of Setup Utility Menu Functions

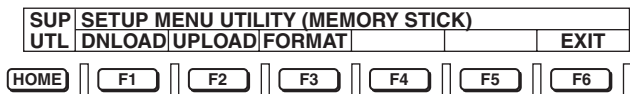
You can use the setup utility menu to download files saved in memory sticks, to upload files to memory sticks, and to format memory sticks from MS-DOS. Call up the setup utility menu from the function menu.

See Section 11-2 “Function Menu Item List” (page 11-3) for more information about the function menu.

See Section 3-6 “Using a Memory Stick” (page 3-12) for more information about memory sticks.

## To display the setup utility menu

Display page 5 of the function menu in the menu display section, and press the F5 (SUPUTL) button. The setup utility menu appears in the menu display section.



This menu provides the following functions.

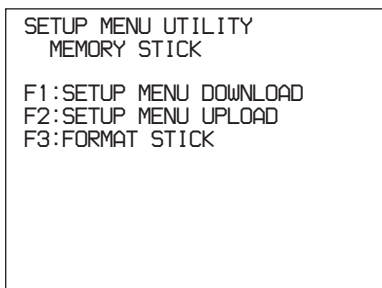
- F1 (DNLOAD):** Downloads data from the memory stick.
- F2 (UPLOAD):** Uploads data to the memory stick.
- F3 (FORMAT):** Formats the memory stick.

## To return to the page 5 screen

Press the F6 (EXIT) button.

## To display the setup utility menu on a monitor

Connect a monitor to the COMPOSITE VIDEO OUTPUT 3 (SUPER) or SDI OUTPUT 3 (SUPER) connector of this unit.



## 13-1-1 Using Memory Stick Data

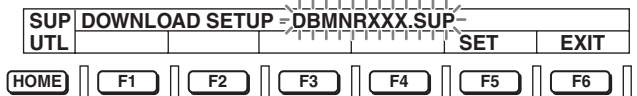
Refer to the Maintenance manual Volume 1 for more information about downloading, uploading, and formatting operations.

### To download files saved in memory sticks

Proceed as follows.

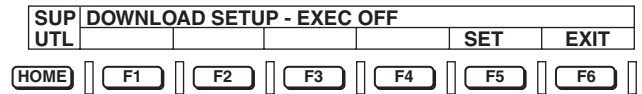
- 1 Press the F1 (DNLOAD) button.

The menu display changes, allowing you to execute the download. The name of the currently selected file is flashing on the screen.

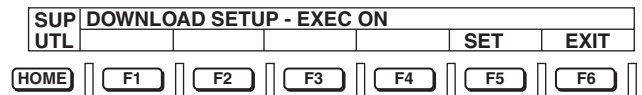


- 2 With the HOME button held down, rotate the MULTI CONTROL knob to select the file to download.

- 3 Rotate the MULTI CONTROL knob to display “EXEC OFF”.

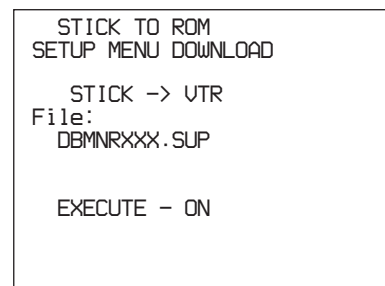


- 4 With the HOME button held down, rotate the MULTI CONTROL knob to switch EXEC OFF to EXEC ON.



When you want to redo a file selection, rotate the MULTI CONTROL knob to display the file name again, then go back to step 2.

The monitor screen display changes as follows.



(Continued)

# 13-1 Overview of Setup Utility Menu Functions

## 5 Press the F5 (SET) button.

The selected file is downloaded.

### Note

Do not do any of the following during the download. Doing so can corrupt the ROM software of this unit, making the unit unable to download normally.

- Power the unit off.
- Remove or insert a memory stick.
- Remove or load a cassette.

```

ROM TO STICK
SETUP MENU UPLOAD

STICK <- VTR
File:
XXXXXXXXX.XXX

EXECUTE - ON

```

## 5 Press the F5 (SET) button.

The selected file is uploaded.

### Note

Do not do any of the following during the upload. Doing so can corrupt the ROM software of this unit, making the unit unable to download normally.

- Power the unit off.
- Remove or insert a memory stick.
- Remove or load a cassette.

## To upload a file to a memory stick

Proceed as follows.

### 1 Press the F2 (UPLOAD) button.

The menu display changes, allowing you to execute the upload. The name of the currently selected file is flashing on the screen.

```

SUP  UPLOAD SETUP - DBMNRXXX.SUP
UTL  _____
      _____ SET  EXIT
(HOME) [F1] [F2] [F3] [F4] [F5] [F6]

```

### 2 With the HOME button held down, rotate the MULTI CONTROL knob to select the file to upload.

### 3 Rotate the MULTI CONTROL knob to display "EXEC OFF".

```

SUP  UPLOAD SETUP - EXEC OFF
UTL  _____
      _____ SET  EXIT
(HOME) [F1] [F2] [F3] [F4] [F5] [F6]

```

### 4 With the HOME button held down, rotate the MULTI CONTROL knob to switch EXEC OFF to EXEC ON.

```

SUP  UPLOAD SETUP - EXEC ON
UTL  _____
      _____ SET  EXIT
(HOME) [F1] [F2] [F3] [F4] [F5] [F6]

```

When you want to redo a file selection, rotate the MULTI CONTROL knob to display the file name again, then go back to step 2.

The monitor screen display changes as follows.

## To format a memory stick

### 1 Press the F3 (FORMAT) button.

The menu display changes, allowing you to execute formatting.

```

SUP  FORMAT - EXEC OFF
UTL  _____
      _____ SET  EXIT
(HOME) [F1] [F2] [F3] [F4] [F5] [F6]

```

### 2 With the HOME button held down, rotate the MULTI CONTROL knob to switch EXEC OFF to EXEC ON.

```

SUP  FORMAT - EXEC ON
UTL  _____
      _____ SET  EXIT
(HOME) [F1] [F2] [F3] [F4] [F5] [F6]

```

The monitor screen display changes as follows.

```

FORMAT STICK
to MS-DOS

CAUTION!!
All data in the MEMORY
STICK will be deleted.

EXECUTE - ON

```

---

### 3 Press the F5 (SET) button.

Formatting is executed.

If you are using a new memory stick, or if an error occurs during execution of F3: FORMAT STICK, use the sub mode to format the memory stick.

#### **Note**

All data in the memory stick is erased when you execute F3: FORMAT STICK.

## 14-1 Removing a Cassette When Tape Slack Occurs

If tape slack occurs in the unit, it is necessary to remove the upper lid and sound baffle. This job should always be entrusted to a technician who has undergone service training.

*For details, refer to Section 1-17 in the Installation Manual.*

## 14-2 Head Cleaning

To clean the video heads and audio heads, always use the special-purpose Sony BCT-HD12CL cleaning cassette.

If you insert the cleaning cassette, it is automatically ejected after a head cleaning operation which lasts for 5 seconds.

Follow the instructions with the cleaning cassette carefully, as inappropriate use of the cleaning cassette can damage the heads.

### Notes

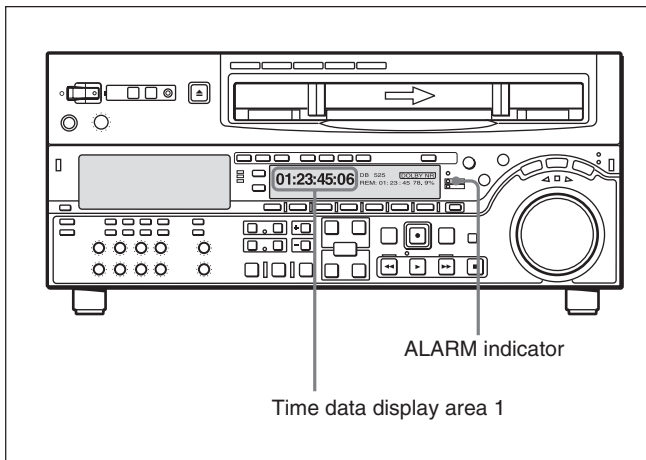
- When carrying out head cleaning without using the automatic cleaning function, be sure to eject the cleaning cassette after use in order not to damage the heads.
- You cannot use the BCT-5CLN cleaning cassette.

## 14-3 Error Messages

This unit is equipped with a self-diagnosis function, and if a problem is detected, displays an error message in the time data display and on the monitor. If an error message appears, contact your Sony service representative.

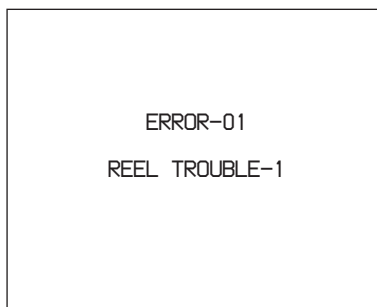
### Indications in the time data display

If a problem is detected, the ALARM indicator in the lower control panel lights, and an error message and error code appear in time data display area 1.



### Indications on the monitor

The error message and code also appear superimposed on a monitor connected to the COMPOSITE VIDEO OUTPUT 3 (SUPER) connector or SDI OUTPUT 3 (SUPER) connector. Depending on the error code, an indication of the source of the problem may appear as a secondary error message.



### Error message displays

- To display error messages and codes superimposed on the monitor, set the CHARA in function menu page 4 to ON.
- Some error messages have no associated error codes. In this case, they appear over the time data area.
- Error messages with error codes are saved in non-volatile memory as an error log.
- In some cases the error message is slightly different on the monitor and in the time data area.

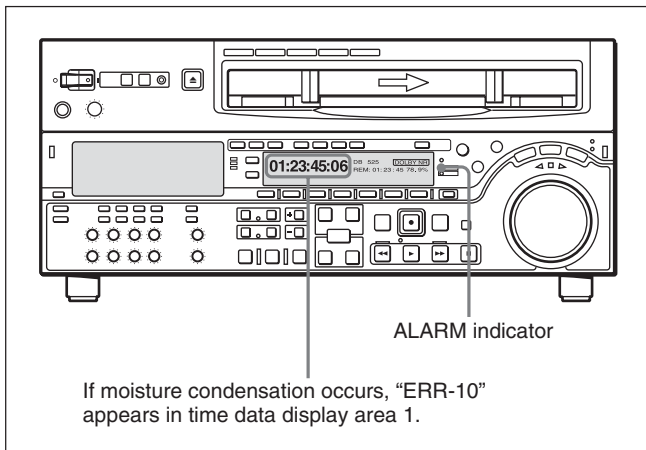
## Error Message List

| Code | Message              | Description   |
|------|----------------------|---|
| –    | NO COMMUNICATION     | Abnormality in the interface between the lower control panel and SYS CPU (SS-89 board) has been detected in the lower control panel side.         |
| 01   | REEL TROUBLE         | Tape slacking has been detected in the threading or unthreading operation.  |
| 02   | REEL TROUBLE         | Tape slacking or tape breaking has been detected in the SEARCH, FF, or REW mode.  |
| 03   | REEL TROUBLE         | Tape slacking, tape breaking, or supply or take-up reel locking has been detected in the REC or PLAY mode.  |
| 04   | REEL TROUBLE         | A malfunctional tape transport speed has been detected in the FF or REW mode.   |
| 05   | REEL TROUBLE         | A malfunctional operation of the supply or take-up reel has been detected during cassette insertion.  |
| 06   | TAPE TENSION         | Excessive tape tension has been detected in the REC or PLAY mode.   |
| 07   | CAPSTAN TROUBLE      | Malfunction of capstan motor has been detected.   |
| 08   | DRUM TROUBLE         | Malfunction of drum motor has been detected.  |
| 09   | TH/UNTH MOTOR        | Malfunction of threading or unthreading operation has been detected.  |
| 0A   | THREADING            | The tape top processing has not been completed in the threading mode.   |
| 10   | HUMID                | Dew condensation has been detected.   |
| 11   | TAPE T/E SENSOR      | The tape top and tape end have been detected simultaneously.  |
| 12   | TAPE TOP SENSOR      | Malfunction of tape top sensor has been detected.   |
| 13   | TAPE END SENSOR      | Malfunction of tape end sensor has been detected.   |
| 14   | FAN MOTOR            | Malfunction of cooling fan motor has been detected.   |
| 20   | CASS COMP MOTOR      | Malfunction of cassette compartment-up or down operation has been detected.   |
| 21   | REEL SFT MOTOR       | Malfunction of movement of the reel table corresponding to the cassette size has been detected.   |
| 22   | REEL POS SENSOR      | The L-cassette and S-cassette positions of the reel table have been detected simultaneously.  |
| 23   | THRED RING SENS      | The thread end and unthread end states of the threading ring have been detected simultaneously.   |
| 92   | INTERNAL I/F1        | Abnormality in the interface between SYS CPU (on SS-89 board) and other CPU/MPU has been detected.  |
| 93   | CPU INITIALIZE ERROR | Abnormality in the interface between SV CPU (on SS-89 board) and DRUM CPU (on DR-414 board) has been detected.                                    |
| 95   | OTHERS NV-RAM ERROR  | Abnormality has been detected in the operation of an NV-RAM (on FP-133 board).  |
| 96   | SY NV-RAM ERROR      | Abnormality has been detected in the operation of an NV-RAM (on SS-89 board) for the system control system.                                       |
| 97   | SV NV-RAM            | Abnormality has been detected in the operation of an NV-RAM (on DR-508 board) for the servo system.   |
| 98   | RF NV-RAM ERROR      | Abnormality has been detected in the operation of an NV-RAM (on EQ-84 board) for the RF system.   |
| 99   | INTERNAL I/F 2       | Abnormality in the interface between SYS CPU (on SS-89 board) and SERVO CPU (on SS-89 board) or MPU (on EQ-84 or DM-123 board) has been detected. |

## 14-4 Moisture Condensation

When the unit is suddenly moved from a cold to a warm location, or used in a very humid place, moisture from the air can condense on the head-drum. This is called moisture condensation. If the tape is run in this state, it can adhere to the drum. To prevent such a condition from occurring, the unit is provided with a moisture detecting function.

If moisture condenses on the head-drum while the unit is in use, the ALARM indicator lights and "ERR-10" is displayed in the time data display area 1.



If this happens, the drum and capstan motors stop and the cassette is automatically ejected. Then, the drum starts to rotate again to dry its surface. In this state, the unit is not operable. When the moisture has evaporated, the error message disappears and the ALARM indicator goes off.

### If "ERR-10" appears and the ALARM indicator lights immediately after powering the unit on

Leave the unit powered on and wait until the error message disappears and the indicator goes off. While the indicator is lit, you cannot insert a cassette. When the indicator goes off and the error message disappears, you can use the unit.

### If you move the unit from a cold to a warm location

Leave the unit powered off for about 10 minutes, in order to give the unit time to detect moisture condensation.

# 14-5 Regular Checks

## 14-5-1 Digital Hours Meter

The hours meter can display seven items of information, in corresponding display modes, about the operational history of the unit. Use it as a guide in scheduling periodic maintenance.

### Display modes of the hours meter

#### H01: OPERATION mode

Displays the total number of hours the unit has been powered on in units of 1 hour.

#### H02: DRUM RUNNING mode

Displays the total number of hours the drum has run with tape threaded in units of 1 hour.

#### H03: TAPE RUNNING mode

Displays the total number of hours the unit has been in fast forward, rewind, playback, search, recording or editing (except for stop and still) mode in units of 1 hour.

#### H04: THREADING mode

Displays the total number of times tape has been threaded in the unit.

#### H12: DRUM RUNNING mode (resettable)

Same as H02 except that the count is resettable. This can be used as a guide in determining when to replace the drum.

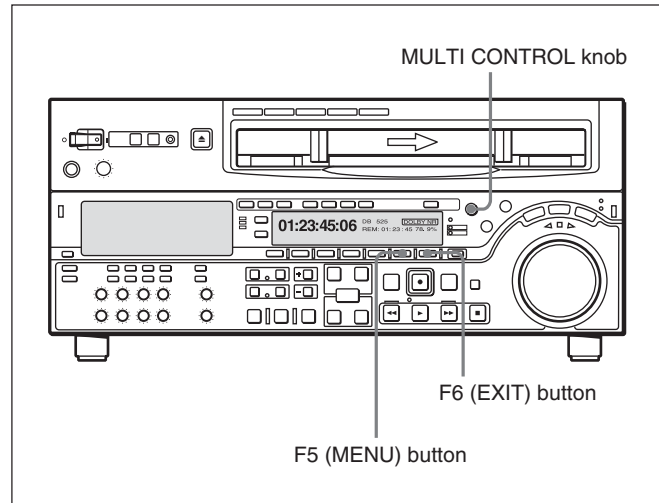
#### H13: TAPE RUNNING mode (resettable)

Same as H03 except that the count is resettable. This can be used as a guide in determining when to replace such components as fixed heads and pinch rollers.

#### H14: THREADING mode (resettable)

Same as H04 except that the count is resettable. This can be used as a guide in determining when to replace, for example, the threading motor.

## Displaying the hours meter



### To display the hours meter

Press the F5 (MENU) button, then turn the MULTI CONTROL knob to display the required item in the time data display.

### To exit from the hours meter

Press the F6 (EXIT) button.



# 14-5 Regular Checks

## 14-5-2 Maintenance Timings

Use the following table as a timing guide for checking and replacing components of the unit. These intervals are not guaranteed lifetimes; the timing for replacing components depends on the particular conditions of use. In particular, depending on the degree of dirt contamination and abrasion, pinch rollers and cleaners may require replacement earlier than suggested by this table.

Note that an arrow in the table means that the component to be replaced is part of the assembly the arrow points to, which must be replaced as a whole.

*For information on severe conditions (frequent threading/unthreading) or how to replace components, refer to the Maintenance Manual Volume 1.*

| Component                   | Digital hours meter indication (menu number in parenthesis) | Guideline replacement intervals               |          |          |  |          |          |
|-----------------------------|---|---|----------|----------|--|----------|----------|
|                             |   | R: Replace C: Check, and replace if necessary |          |          |  |          |          |
|                             |   | 1000 hrs                                      | 2000 hrs | 3000 hrs | 4000 hrs                               | 5000 hrs | 6000 hrs |
| Upper drum                  | Drum running time (H02)                                     |   |          | C        | C                                      | C        | C(↓)     |
| Drum assembly               |   |   |          |          |  |          | C        |
| Brush slip ring assembly    |   |   |          | R        |  |          | R(↑)     |
| Video head cleaner (roller) |   |   |          | R        |  |          | R        |
| Pinch roller assembly       | Tape running time (H03)                                     |   |          | R        |  |          | R        |
| Reel table assembly         |   |   |          |          | R (Replace at interval of 4000 hours.) |          |          |
| Pinch application assembly  | Tape running time (H03)                                     |   |          |          |  |          | R        |
| Fan motor (card)            | Operation time (H01)  | Replace after 40,000 hours                    |          |          |  |          |          |
| Fan motor (MD)              |   | Replace after 40,000 hours                    |          |          |  |          |          |
| Power supply unit           |   | Replace after 40,000 hours                    |          |          |  |          |          |

# Specifications

## General

|                       |   |
|-----------------------|---|
| Recording format      | Digital Betacam   |
| Power requirements    | 100 to 240 VAC, 50/60 Hz  |
| Power consumption     | 2.2 A (220 W) (DVW-M2000/<br>M2000P)<br>2 A (200 W) (DVW-2000/2000P)  |
| Peak inrush current   | (1) Power ON, current probe method:<br>54 A (240 V), 20 A (100 V)<br>(2) Hot switching inrush current, measured in<br>accordance with European<br>standard EN55103-1: 16 A<br>(230 V) |
| Operating temperature | 5°C to 40°C (41°F to 104°F)   |
| Storage temperature   | -20°C to +60°C (-4°F to +140°F)   |
| Humidity              | 20 to 90%   |
| Mass                  | DVW-M2000/M2000P: 23.5 kg<br>(51 lb 12 oz)<br>DVW-2000/2000P: 22 kg (48 lb<br>8 oz)   |
| Dimensions (w/h/d)    | 427 × 194 × 544 mm<br>(16 7/8 × 7 3/4 × 21 1/2 inches)  |

## Tape transport system

|   |  |
|---|--|
| Tape speed                                | Digital Betacam: 96.7 mm/s<br>MPEG IMX (DVW-M2000/<br>M2000P):<br>64.5 mm/s (525/60)<br>53.8 mm/s (625/50)<br>Betacam SX (DVW-M2000/<br>M2000P): 59.6 mm/s<br>Analog Betacam (DVW-M2000/<br>M2000P):<br>118.6 mm/s (525/60)<br>101.5 mm/s (625/50) |
| Digital Betacam record/playback time      | 124 minutes with BCT-D124L   |
| MPEG IMX playback time (DVW-M2000/M2000P) | 184 minutes with BCT-184MXL<br>(525/60)<br>220 minutes with BCT-184MXL<br>(625/50)   |

|   |   |
|---|---|
| Betacam SX playback time (DVW-M2000/M2000P)         | 194 minutes with BCT-194SXL   |
| Analog Betacam playback time (DVW-M2000/<br>M2000P) | 90 minutes with BCT-90MLA<br>(525/60)<br>108 minutes with BCT-90MLA<br>(625/50)   |
| Fast forward/rewind time                            | Approx. 3 minutes with BCT-<br>184MXL   |
| Search speed  |   |
| Shuttle mode  | Digital Betacam playback: Still to<br>approx. ±50 times normal<br>playback speed<br>MPEG IMX playback (DVW-<br>M2000/M2000P): Still to approx.<br>±78 times normal playback speed<br>Betacam SX playback (DVW-<br>M2000/M2000P): Still to approx.<br>±78 times normal playback speed<br>Analog Betacam playback (DVW-<br>M2000/M2000P): Still to ±35<br>times normal playback speed<br>(525/60)<br>Still to ±42 times normal<br>playback speed (625/50) |
| Variable speed mode                                 | Digital Betacam playback: -1 to +3<br>times normal playback speed<br>MPEG IMX playback (DVW-<br>M2000/M2000P): -1 to +3 times<br>normal playback speed<br>Betacam SX playback (DVW-<br>M2000/M2000P): -1 to +2 times<br>normal playback speed<br>Analog Betacam playback (DVW-<br>M2000/M2000P): -1 to +3 times<br>normal playback speed  |
| Jog mode  | Still to ±1 times normal playback<br>speed  |
| Servo lock time                                     | 0.5 (525/60)/0.7 (625/50) second or<br>less (from standby on)   |
| Load/unload time                                    | 6 seconds or less   |

# Specifications

## Recommended tapes

- Digital Betacam cassettes (S, L):
  - BCT-D6/D12/D22/D32/D40
  - BCT-D34L/D64L/D94L/D124L
- MPEG IMX cassettes (S, L) (for playback only on DVW-M2000/M2000P)
- Betacam SX cassettes (S, L) (for playback only on DVW-M2000/M2000P)
- Betacam SP cassettes (S, L) (for playback only on DVW-M2000/M2000P)
- Betacam cassettes (S, L) (for playback only on DVW-M2000/M2000P)

---

## Digital video system

### Digital video signal system

- Sampling frequency
  - Y: 13.5 MHz
  - R-Y/B-Y: 6.75 MHz
- Quantization 10 bits/sample
- Compression Coefficient recording system
- Channel coding S-I-NRZI PR-IV
- Error correction Reed-Solomon code

### Analog component output

- Bandwidth
  - Y 0 to 5.75 MHz +0.5 dB/-2.0 dB
  - R-Y/ B-Y 0 to 2.75 MHz +0.5 dB/-2.0 dB
- S/N 56 dB or more
- K factor (2T pulse) 1% or less

### Analog component input to analog component output

- Input A/D quantization 10 bits/sample
- Bandwidth
  - Y 0 to 5.75 MHz +0.5 dB/-2.0 dB
  - R-Y/ B-Y 0 to 2.75 MHz +0.5 dB/-2.0 dB
- S/N 56 dB or more
- K factor (2T pulse) 1% or less
- LF non-linearity 3.0% or less

### Analog composite input to analog composite output

- Bandwidth (Y) 0 to 5.75 MHz +0.5 dB/ -2.0 dB
- S/N 56 dB or more
- Differential gain 2% or less
- Differential phase 2° or less
- Y/C delay 20 ns or less
- K factor (2T pulse) 1% or less
- Output SCH phase Based upon RS-170A/CCIR R.624-3 (Adjustable by using the menu)

---

## Digitale audio system

### Digital audio (CH1 to CH4) signal format

- Sampling frequency 48 kHz (synchronized with video)
- Quantization 20 bits/sample
- Wow and flutter Below measurable level
- Headroom 20 dB (or 18 dB, selectable)
- Emphasis T1= 50 μs, T2=15 μs (on/off selectable in recording mode)

### Analog output

- Frequency response 20 Hz to 20 kHz +0.5 dB/ -1.0 dB (0 dB at 1 kHz)
- Dynamic range 95 dB or more (at 1 kHz, emphasis on)
- Distortion 0.05% or less (at 1 kHz, emphasis on, reference level (+4 dBm))
- Crosstalk -80 dB or less (at 1 kHz, between any two channels)

---

## Analog audio system

### Analog audio (cue audio)

- Frequency response 100 Hz to 12 kHz +3 dB/-3 dB
- S/N ratio 45 dB or more (at 3% distortion level)
- Distortion 2% or less (THD at 1 kHz reference level)
- Wow and flutter DVW-M2000/2000: 0.2% wrms or less  
DVW-M2000P/2000P: 0.2% wrms or less (DIN 45507 weighted)

## MPEG IMX playback (DVW-M2000/M2000P)

### Video

|           |         |   |
|-----------|---------|---|
| Bandwidth | Y       | DVW-M2000: 0 to 5.75 MHz +0.5 dB/-2 dB<br>DVW-M2000P: 0 to 2.75 MHz +0.5 dB/-2 dB |
|           | R-Y/B-Y | 0 to 2.75 MHz +0.5 dB/-2dB  |
| S/N ratio |         | 56 dB or more   |
| K factor  |         | 1% or less  |

### Digital Audio

|   |  |
|---|--|
| Frequency response (0 dB at 1 kHz)          | 20 Hz to 20 kHz +0.5 dB/-1.0 dB  |
| Dynamic range                               | 95 dB (at 1 kHz, emphasis on) in 4-channel/24-bit mode<br>90 dB (at 1 kHz, emphasis on) in 8-channel/16-bit mode |
| Distortion (T.H.D at 1 kHz reference level) | 0.05% rms (emphasis on)  |
| Wow and flutter                             | Below measurable level   |

## Betacam SX playback (DVW-M2000/M2000P)

### Video

|                     |         |  |
|---------------------|---------|--|
| Bandwidth           | Y       | 525-line mode: 0 to 4.5 MHz +0.5 dB/-3.0 dB<br>625-line mode: 0 to 5.5 MHz +0.5 dB/-3.0 dB |
|                     | R-Y/B-Y | 0 to 2.0 MHz +0.5 dB/-3.0 dB   |
| S/N                 |         | 56 dB or more  |
| K factor (2T pulse) |         | 1% or less   |

### Audio

|                    |   |
|--------------------|---|
| Frequency response | 20 Hz to 20 kHz +0.5 dB/-1.0 dB (0 dB at 1 kHz)                 |
| Dynamic range      | 90 dB or more (at 1kHz, emphasis on)                            |
| Distortion         | 0,05% or less (at 1 kHz, emphasis on, reference level (+4 dBm)) |

## Analog Betacam playback (DVW-M2000)

### Video

|                     |          | Metal tape                        | Oxide tape                        |
|---------------------|----------|-----------------------------------|-----------------------------------|
| Bandwidth           | Y        | 30 Hz to 4.5 MHz +0.5 dB/ -4.0 dB | 30 Hz to 4.1 MHz +0.5 dB/ -6.0 dB |
|                     | R-Y/ B-Y | 30 Hz to 1.5 MHz +0.5 dB/-3.0 dB  | 30 Hz to 1.5 MHz +0.5 dB/-3.0 dB  |
| S/N                 | Y        | 51 dB or more                     | 48 dB or more                     |
|                     | R-Y/ B-Y | 48 dB or more                     | 45 dB or more                     |
| K factor (2T pulse) |          | 2% or less                        | 3% or less                        |
| LF non-linearity    | Y        | 3% or less                        |                                   |
|                     | R-Y/ B-Y | 4% or less                        |                                   |
| Y/C delay           |          | 20 ns or less                     |                                   |

# Specifications

## Audio

|     |  | Metal tape                       | Oxide tape                   |
|-----|--|----------------------------------|------------------------------|
| LNG | Frequency response (at 10 dB below reference level <sup>a)</sup> ) | 50 Hz to 15 kHz +1.5 dB/ -2.0 dB | 50 Hz to 15 kHz +3.0 dB      |
|     | S/N ratio (at 3% distortion level)                                 | 72 dB or more                    | 50 dB or more (Dolby NR off) |
|     | Distortion (THD at 1 kHz reference level <sup>a)</sup> )           | 1% or less                       | 2% or less                   |
|     | Wow and flutter  | 0.1% rms or less                 |                              |
| AFM | Frequency response (at reference level <sup>a)</sup> )             | 20 Hz to 20 kHz + 0.5 dB/-2.0 dB |                              |
|     | S/N (at 3% distortion level)                                       | 85 dB or more                    |                              |
|     | Distortion (THD at 1 kHz reference level <sup>a)</sup> )           | 0.5% or less                     |                              |

a) Reference level: +4 dBm

## Analog Betacam playback (DVW-M2000P)

### Video

|                     |          | Metal tape                        | Oxide tape                       |
|---------------------|----------|-----------------------------------|----------------------------------|
| Bandwidth           | Y        | 25 Hz to 5.5 MHz +0.5 dB/ -4.0 dB | 25 Hz to 4.0 MHz +0.5 dB/-6.0 dB |
|                     | R-Y/ B-Y | 25 Hz to 2.0 MHz +0.5 dB/-3.0 dB  | 25 Hz to 1.5 MHz +0.5 dB/-3.0 dB |
| S/N                 | Y        | 48 dB or more                     | 46 dB or more                    |
|                     | R-Y/ B-Y | 48 dB or more                     | 45 dB or more                    |
| K factor (2T pulse) |          | 2% or less                        | 3% or less                       |
| LF non-linearity    | Y        | 3% or less                        |                                  |
|                     | R-Y/ B-Y | 4% or less                        |                                  |
| Y/C delay           |          | 20 ns or less                     |                                  |

### Audio

|     |   | Metal tape                            | Oxide tape              |
|-----|---|---------------------------------------|-------------------------|
| LNG | Frequency response (at 20 dB below peak level <sup>a)</sup> ) | 50 Hz to 15 kHz +1.5 dB/-2.0 dB       | 50 Hz to 15 kHz ±3.0 dB |
|     | S/N (at 3% distortion level) (CCIR 468-3 weighted)            | 68 dB or more                         | 62 dB or more           |
|     | Distortion (THD at 1 kHz reference level <sup>b)</sup> )      | 1% or less                            | 2% or less              |
|     | Wow and flutter   | 0.1% rms or less                      |                         |
| AFM | Frequency response (at reference level <sup>a)</sup> )        | 20 Hz to 20 kHz +0.5 dB/-2.0 dB       |                         |
|     | S/N (at 3% distortion level)                                  | More than 72 dB (CCIR 468-3 weighted) |                         |
|     | Distortion (THD at 1 kHz reference level <sup>b)</sup> )      | Less than 0.5%                        |                         |

a) Peak level: +8 dB above reference level

b) Reference level: +4 dBm

---

## Processor adjustment range

|                                |                                      |
|--------------------------------|--------------------------------------|
| Video level                    | ±3 dB/ -∞ to +3 dB selectable        |
| Chroma level                   | ±3 dB/ -∞ to +3 dB selectable        |
| Setup level (DVW-M2000/2000)   | ±30 IRE                              |
| Black level (DVW-M2000P/2000P) | ±210 mV                              |
| Y/C delay                      | ±100 ns (in analog Betacam playback) |
| Chroma phase                   | ±30°                                 |
| System phase                   | Sync: ±15 µs<br>SC: ±200 ns          |

---

## Input connectors

|                                   |   |
|-----------------------------------|---|
| SDI INPUT                         | BNC (1 with active through out)<br>Serial digital (270 Mbits/s)<br>SMPTE 259M/ITU-R BT.656  |
| REF. VIDEO INPUT                  | BNC (2 in loop through connection)<br>Black burst or composite sync<br>0.3 Vp-p, 75Ω, sync negative   |
| COMPOSITE VIDEO INPUT             | BNC (3 for 1 set)<br>Y: 1.0 Vp-p, Sync negative<br>R-Y/B-Y: 0.7 Vp-p, 75 Ω, with 100% color bar for DVW-M2000P/2000P and with 100% or 75% color bar selectable for DVW-M2000/2000 |
| COMPOSITE VIDEO INPUT             | BNC (2 in loop through connection)<br>1.0 Vp-p, 75 Ω, Sync negative   |
| AUDIO INPUT CH1, CH2, CH3, CH4    | XLR 3-pin, female (4)<br>LOW OFF: -60 dBu, high impedance, balanced<br>HIGH OFF: +4 dBu, high impedance, balanced<br>HIGH ON: +4 dBm, 600 Ω termination, balanced                 |
| AUDIO INPUT(AES/EBU) CH1/2, CH3/4 | BNC (2)<br>Complies with AES-3id-1995   |

|              |   |
|--------------|---|
| TIME CODE IN | XLR 3-pin, female (1)<br>0.5 to 18 Vp-p, 10 kΩ, balanced  |
| CUE IN       | XLR 3-pin, female (1)<br>LOW OFF: -60 dBu, high impedance, balanced<br>HIGH OFF: +4 dBu, high impedance, balanced<br>HIGH ON: +4 dBm, 600 Ω termination, balanced |

---

## Output connectors

|   |   |
|---|---|
| SDI OUTPUT  | BNC (3 including 1 for character superimposition)<br>Serial digital (270 Mbits/ s)<br>SMPTE 259 M/ITU-R BT.656  |
| COMPONENT VIDEO OUTPUT  | BNC (3 for 1 set)<br>Y: 1.0 Vp-p, Sync negative<br>R-Y/B-Y: 0.7 Vp-p, 75 Ω, with 100% color bar for DVW-M2000P/2000P and with 100% or 75% color bar selectable for DVW-M2000/2000 |
| COMPOSITE VIDEO OUTPUT  | BNC (3 including 1 for character superimposition)<br>1.0 Vp-p, 75 Ω, Sync negative  |
| AUDIO OUTPUT CH1, CH2, CH3, CH4   | XLR 3-pin, male (4)<br>+4 dBm at 600 Ω load, low impedance, balanced  |
| AUDIO OUTPUT (AES/EBU) CH1/2, CH3/4, CH5/6, CH7/8 (CH5/6 and CH7/8 usable on DVW-2000/2000P only) | BNC (4)<br>Complies with AES-3id-1995   |
| MONITOR OUTPUT (L/R)  | XLR 3-pin, male (2)<br>+4 dBm at 600 Ω load, low impedance, balanced  |
| TIME CODE OUT   | XLR 3-pin, male (1)<br>2.2 Vp-p, low impedance, balanced  |
| PHONES  | JM-60 stereo phone jack<br>-∞ to -12 dBu at 8 Ω load, unbalanced  |
| CUE OUT   | XLR 3-pin, male (1)<br>+4 dBm at 600 Ω load, low impedance, balanced  |

# Specifications

---

## Remote connectors

### CONTROL PANEL

10-pin (2), female  
Front/rear selectable

### REMOTE 1-IN (9P)

D-sub 9-pin, female

### REMOTE 1-OUT (9P)

D-sub 9-pin, female

### RS-232C

D-sub 9-pin, male

### VIDEO CONTROL

D-sub 15-pin, male (for optional  
BVR-50/50P)

### REMOTE 2 PARALLEL I/O (50P)

50-pin, female

- For customers in European countries other than the United Kingdom  
Part No. 1-551-631-22  
Plug holder 3-613-640-01

Design and specifications are subject to change without notice.

### To prevent electromagnetic interference from portable communications devices

The use of portable telephones and other communications devices near this unit can result in misoperations and interference with audio and video signals.

It is recommended that portable communications devices near this unit be powered off.

## Memory stick slot

Memory stick (8 to 128MB)

## Accessories supplied

PSW 4 × 16 screws for rack mounting (4)

Operation Manual (English version ×1, Japanese version ×1)

Installation Manual (English version ×1, Japanese version ×1)

CD-ROM (1)

## Optional accessories

BKDW-101 Remote Control Panel

BKMW-102 Remote Control Unit

BKMW-103 Control Panel Extension Kit

BKMW-104 HD Upconverter Board

RCC-5G 9-pin Remote Control Cable

BVR-50/50P TBC Remote Control Unit

RMM-131 Rack Mount Adaptor

BCT-HD12CL Cleaning Cassette Tape

AC power cord

- For customers in the U.S.A. and Canada  
Part No. 1-557-377-11  
Plug holder 3-613-640-01
- For customers in the United Kingdom  
Part No. 1-777-823-12  
Plug holder 3-613-640-01

## A

AC IN connector 2-17  
 ALARM indicator 2-11  
 Analog  
   audio input/output section 2-15  
   device connection 3-2  
   video input/output section 2-16  
 ASSEMBLE button 2-11  
 Audio  
   monitor signal output section 2-18  
   selection function selector buttons 2-4  
   setting display section 2-5  
   signal selection buttons 2-5  
 AUDIO IN/OUT buttons 2-12  
 AUDIO INPUT (AES/EBU) connectors 2-16  
 AUDIO INPUT CH1 to CH4 connectors 2-15  
 AUDIO INPUT CH1 to CH4 and CUE IN LEVEL switches 2-15  
 AUDIO OUTPUT (AES/EBU) connectors 2-16  
 AUDIO OUTPUT CH1 to CH4 connectors 2-15  
 AUTO EDIT button 2-13  
 Auto Event Detector  
   output/recording 10-1  
   overview 10-1

## B

Basic menu items 12-5  
 Betacam  
   Cassette 3-10  
   compatibility 1-2  
   SX/SP cassette 3-10  
 BLACK (function menu) 11-5

## C

C PHAS (function menu) 11-5  
 CAPSTN (function menu) 11-7  
 Capstan override function 4-9  
 Cassettes 3-10  
 CD-ROM manual 1-5  
 CHANNEL CONDITION indicator 2-6  
 CHARA (function menu) 11-7  
 CH1 to CH4 buttons 2-11  
 CHROMA (function menu) 11-5  
 COMPONENT VIDEO INPUT  
   connectors 2-16  
 COMPONENT VIDEO OUTPUT  
   connectors 2-16  
 COMPOSITE VIDEO INPUT connectors/  
   75 Ω termination switch 2-16  
 COMPOSITE VIDEO OUTPUT  
   connectors 2-16  
 CONF1 (ON)/PREREAD indicators 2-8  
 CONF1 (function menu) 11-3  
 CONF1 playback 2-8  
 Connections  
   to analog devices 3-2  
   to digital devices 3-1

Connector panel 2-15  
 Continuous editing 5-13  
 CONTROL PANEL connector 2-18  
 Control panels 2-1  
 CTL/TC (function menu) 11-3  
 CUE button 2-11  
 CUE IN/OUT connectors 2-15, A-5

## D

DELETE button 2-12  
 DF (function menu) 11-4  
 DF indicator 2-7  
 Digital  
   audio input/output section 2-16  
   device connection 3-1  
   hours meter 14-5  
   signal input/output section 2-17  
 Digital Betacam  
   cassettes 3-10  
   format 1-1  
   tapes A-2  
 DISPLAY FULL/FINE button 2-4  
 DMC  
   editing 5-11  
   playback 4-12  
 DMC EDIT button 2-12  
 DOLBY (function menu) 11-7  
 DOLBY NR indicator 2-8  
 Drop frame  
   mark 3-9  
   mode 11-4

## E

EDIT button 2-10  
 Edit point 5-3  
   cue-up and preroll 5-7  
   modifying and deleting 5-6  
   setting buttons 2-12  
 Editing  
   automatic editing 5-1  
   carrying out 5-8  
   continuous editing 5-13  
   control section 2-12  
   cross-fade editing 12-14  
   manual editing 5-14  
   mode setting section 2-11  
   preread editing 5-14  
   quick editing 5-13  
   selecting the editing mode 5-3  
   special methods 5-13  
   split editing 5-4  
   standalone editing 5-14  
   switch/menu settings 5-2  
 E-E mode 2-5, 2-10  
 EJECT button 2-2  
 EMPHSS (function menu) 11-6  
 ENTRY button 2-13  
 Error messages 14-2  
 Essence mark  
   output 9-2  
   overview 9-1

recording 9-2  
 Extended menu items 12-8  
 External device connectors 2-17

## F

F FWD button 2-11  
 Features 1-1  
 525/625 indicator 2-7  
 F1 to F6 buttons 2-6  
 Format indicators 2-2, 2-7  
 Function menu  
   configuration 11-1  
   item 11-3  
   operation 2-6

## G

Ground terminal 2-17

## H

Head Cleaning 14-1  
 Head configuration 1-1  
 Headphones 2-2  
 HOME button 2-6  
 HUE (function menu) 11-5

## I

IN/OUT buttons 2-12  
 INPUT button 2-4  
 Input signal selection 2-4  
 INSERT buttons 2-11

## J

JOG  
   button 2-9  
   indicator 2-9  
 Jog mode 4-8

## K

KEY INHI indicator 2-12  
 KEY INHIBIT switch 2-14

## L

Level meter 2-5  
 LIST button 2-13  
 Location and function of parts  
   connector panel 2-15  
   lower control panel 2-3  
   switch panel 2-14  
   upper control panel 2-2  
 LTC  
   external sync 4-4

## M

Manual editing 5-14  
 MARK button 2-13  
 MEMORY indicator 2-12  
 Memory stick 3-12

(Continued)



MENU (function menu) 11-3

Menu

- control buttons 2-6
- display 2-8
- operation 2-6, 6-2, 12-2

MIXING button 2-4

Moisture condensation 14-4

MONITOR OUTPUT connectors 2-18

MPEG IMX 1-1

- cassette 3-10
- compatibility 1-2

---

## N

Non-drop frame

- mark 3-9
- mode 11-4

---

## O

Operation mode 3-9

OPTION connector 2-18

OUTREF (function menu) 11-7

---

## P

PANEL SELECT switch 2-14

Parts replacement 14-6

PB controls 2-6

PB/EE (function menu) 11-3

PHONES jack/control 2-2

PLAY button 2-11

Playback

- capstan override 4-9
- dynamic motion control (DMC) 4-12
- jog mode 4-8
- normal 4-7
- shuttle mode 4-8
- speed indication 2-8
- variable mode 4-9

PLAYER button 2-12

Power supply section 2-17

POWER switch 2-2

Preparations

- for playback 4-6
- for recording 4-1

PREREAD (function menu) 11-8

Preread editing 5-14

PREROLL button 2-10

PRESET/REGEN 11-4

Preview 5-7

PREVIEW button 2-13

---

## Q

Quick Editing 5-13

---

## R

REC

- button 2-10
- controls 2-6

REC INHI indicator 2-10

RECINH (function menu) 11-8

REC/ERASE indicator 2-13

RECORDER button 2-12

Recording

- preparations 4-1
- procedure 4-5
- time code 4-2

REF. VIDEO INPUT connectors/75Ω

termination switch 2-16

Reference signals

- connection 3-5
- for the servo system 3-4

Reference video signal generator 3-3

Regular checks 14-5

REMOTE buttons 2-2

Remote control 2-2

REMOTE 1-IN(9P) connector 2-18

REMOTE 1-OUT(9P) connector 2-18

REMOTE 2 PARALLEL I/O(50P)

connector 2-17

RESET button 2-8

REVIEW button 2-13

REW button 2-11

RS-232C

- connector 2-18
- indicator 2-2

RUN (function menu) 11-4

---

## S

SC (function menu) 11-6

SDI INPUT connectors 2-17

SDI OUTPUT connectors 2-17

Search control section 2-8

Search dial 2-9

SERVO indicator 2-11

SETUP (function menu) 11-5

Setup 3-7

Setup utility menu

- overview 13-1
- memory stick data operations 13-1

SHIFT indicator 2-8

Shot data 6-7

Shot mark function

- cueing up 6-6
- list operations 6-4
- operation menu 6-2
- operations 6-3
- overview 6-1
- reading 6-3
- sorting 6-8
- writing 6-3

Shot mark section 2-13

SHUTTLE button 2-9

Shuttle mode 4-8

SHUTTLE/VAR indicator 2-9

Specifications A-1

Standalone editing 5-14

STANDBY button 2-10

STOP button 2-11

Superimposed character information 3-8

SUPUTL (function menu) 11-8

Switch panel 2-14

SYNC (function menu) 11-6

System configurations 1-4

---

## T

T INFO (function menu) 11-6

Tape transport control section 2-10

TC button 2-11

TCG (function menu) 11-4

TCGSET (function menu) 11-3

TCR (function menu) 11-4

TELE-F (function menu) 11-8

Tele-File

- attribute data 7-11
- clip data 7-3
- format 7-12
- memory label 7-1
- overview 7-1
- resume 7-10
- undo 7-10

Time Code 4-2

TIME CODE IN connector 2-18

Time code input/output section 2-18

TIME CODE OUT connector 2-18

Time data 3-8

display 2-7

TRIM buttons 2-12

---

## U

UMID (function menu) 11-8

UMID

- display 8-4
- output 8-4
- overview 8-1
- recording 8-2

Upper control panel 2-2

User bit values 4-2

---

## V

VAR button 2-9

Variable speed mode 4-9

VIDEO (function menu) 11-5

VIDEO button 2-11

VIDEO CONTROL connector 2-18

Video test signal (setup menu item 710)  
12-22

VID.IN (function menu) 11-3

VIN LV (function menu) 11-6

VITC (function menu) 11-4

VITC

- external sync 4-4
- field 3-9

V.PROC (function menu) 11-5

---

## Y

YC DLY (function menu) 11-5

The material contained in this manual consists of information that is the property of Sony Corporation and is intended solely for use by the purchasers of the equipment described in this manual.

Sony Corporation expressly prohibits the duplication of any portion of this manual or the use thereof for any purpose other than the operation or maintenance of the equipment described in this manual without the express written permission of Sony Corporation.

DVW-M2000/M2000P  
DVW-2000/2000P  
(SY, 英)  
3-826-015-03(1)

**Sony Corporation**  
B & P Company

<http://www.sony.net/>

© 2004

## Free Manuals Download Website

<http://myh66.com>

<http://usermanuals.us>

<http://www.somanuals.com>

<http://www.4manuals.cc>

<http://www.manual-lib.com>

<http://www.404manual.com>

<http://www.luxmanual.com>

<http://aubethermostatmanual.com>

Golf course search by state

<http://golfingnear.com>

Email search by domain

<http://emailbydomain.com>

Auto manuals search

<http://auto.somanuals.com>

TV manuals search

<http://tv.somanuals.com>