

MDR-7506

SERVICE MANUAL

Ver 1.1 2002.07

US Model
AEP Model



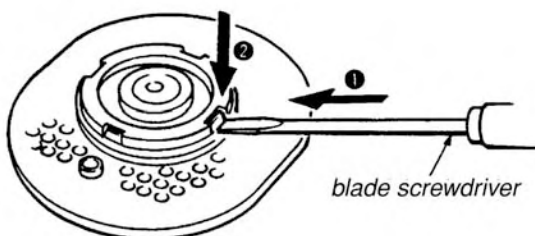
SPECIFICATIONS

Type	Circum-aural, closed
Driver units	40 mm dia., dynamic type
Impedance	63 ohms at 1 kHz
Sensitivity	106 dB/mW
Rated power	0.5 W
Power handling capacity	1 W
Frequency response	5 - 30,000 Hz
Cord	3 m (extended length) coiled cord with a stereo unimatch plug
Weight	Approx. 230 g (without cord)

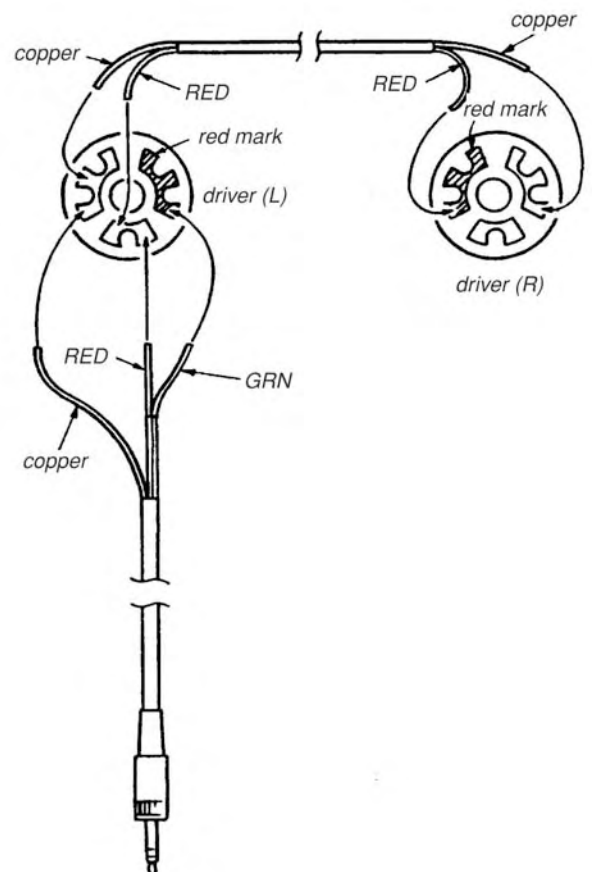
1. DISASSEMBLY

Note : Follow the disassembly procedure in the numerical order given.

- Remove 4 pawls as illustrated below.



2. MOUNTING DIAGRAM



STEREO HEADPHONES

9-956-092-13
2002G0200-1
© 2002.07

Sony Corporation
Personal Audio Company
Published by Sony Engineering Corporation

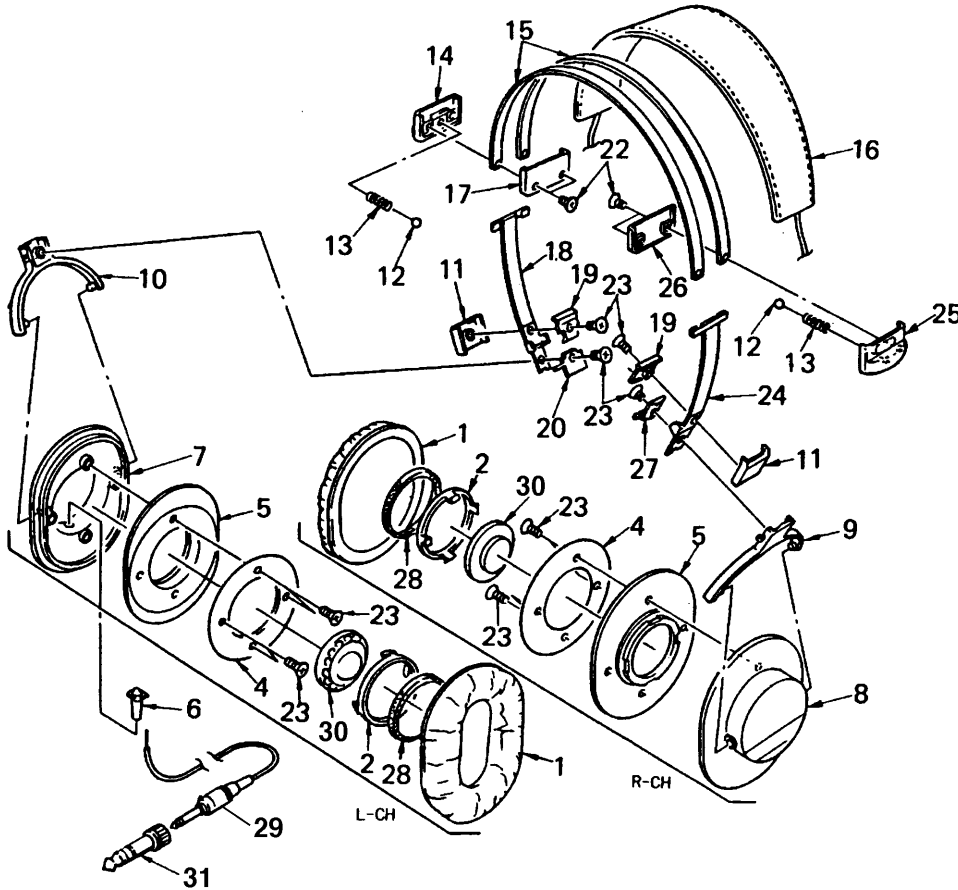
SONY®

3. EXPLODED VIEWS

NOTE:

- -XX, -X mean standardized parts, so they may have some differences from the original one.
- Items marked "*" are not stocked since they are seldom required for routine service. Some delay should be anticipated when ordering these items.

- The mechanical parts with no reference number in the exploded views are not supplied.
- Hardware (# mark) list and accessories are given in the last of this parts list.



Ref. No.	Part No.	Description	Remarks	Ref. No.	Part No.	Description	Remarks
1	X-2113-124-1	PAD ASSY, EAR		19	2-113-123-11	LID, HINGE CASE	
2	2-113-129-01	STOPPER, DRIVER		20	2-113-130-11	LID (LEFT), HANGER	
* 4	2-113-152-02	REGISTER, FRONT		22	7-685-235-19	SCREW +KTP 2.6X10 TYPE2 SLIT	
* 5	2-113-140-01	PLATE, FRONT		23	7-685-232-19	SCREW +KTP 2.6X5 TYPE2NON-SLIT	
6	2-113-137-01	BUSHING		24	X-2113-102-1	SLIDER (RIGHT) ASSY	
7	X-4941-333-1	HOUSING (LEFT) ASSY		25	X-2113-115-1	CASE (RIGHT) ASSY, CLICK	
8	X-4941-334-1	HOUSING (RIGHT) ASSY		* 26	2-113-125-11	LID (RIGHT), CLICK CASE	
9	2-113-133-11	HANGER (RIGHT)		27	2-113-131-11	LID (RIGHT), HANGER	
10	2-113-132-11	HANGER (LEFT)		28	2-113-149-01	RING, URETHANE	
11	2-113-134-11	CASE, HINGE		29	1-580-792-21	CORD (WITH PLUG)	
12	7-671-113-01	STEEL, BALL 3		30	1-542-491-11	DRIVER (040F001P)	
13	2-113-146-01	SPRING, COMPRESSION		31	1-506-589-11	ADAPTOR, PLUG	
14	X-2113-116-1	CASE (LEFT) ASSY, CLICK		*****			
* 15	2-113-122-01	BAND, HEAD		ACCESSORIES			
16	X-2113-112-1	CUSHION ASSY, HEAD		*****			
* 17	2-113-124-11	LID (LEFT), CLICK CASE		2-113-147-11	CASE, SOFT		
18	X-2113-101-1	SLIDER (LEFT) ASSY					

MEMO

Free Manuals Download Website

<http://myh66.com>

<http://usermanuals.us>

<http://www.somanuals.com>

<http://www.4manuals.cc>

<http://www.manual-lib.com>

<http://www.404manual.com>

<http://www.luxmanual.com>

<http://aubethermostatmanual.com>

Golf course search by state

<http://golfingnear.com>

Email search by domain

<http://emailbydomain.com>

Auto manuals search

<http://auto.somanuals.com>

TV manuals search

<http://tv.somanuals.com>