

SONY®

Sony Electronics Inc.
1 Sony Drive
Park Ridge, NJ 07656
www.sony.com/security

Outdoor and Indoor Dome Housings

Installation and Operation Instructions for the following models:

BRCSDP12

(1) Housing

(1) Supplied Parts

(1) Power connector (Heather/blower)

(1) Toolhead driver

(1) Operation Instruction Manual



ELECTRICAL SPECIFICATIONS

Heater and Blower Only



Power 24 VAC, Class 2 Only

For BRCDP12

53 watts at 24 VAC (heater and blower)

Input Connectors:

BNC

(2) screw-down connectors

RJ-45 Connector

Camera Power

Refer to the camera's installation guide.

PREPARING PENDANT MOUNT MODEL

GENERAL INSTRUCTIONS:

Tools Required: .100" Flat Head Screwdriver
Phillips Head Screwdriver

- 1 Carefully remove the housing from the packaging material. Check to be sure all parts are present.
- 2 This unit includes a 1 1/2" NPT housing coupling that can be used with a standard 1 1/2" NPT pipe. The housing can be used with other brackets designed with 1 1/2" male pipe threads, such as the SNCWM20 wall mount bracket.
- 3 Attach the housing coupling to the bracket or pendant pipe (Figure 1).
NOTE: Pipe threads should be clean and rust free. Use a sealer (such as Teflon™ tape or silicone sealer) on the threads.

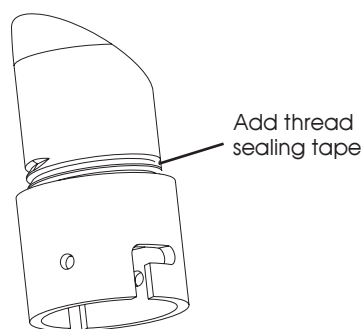


Figure 1



Be sure the bracket is properly and securely mounted to a supporting structure capable of rigidly holding the weight of the entire unit.

INSTALLING QUICK RELEASE BRACKET AND PAN/TILT CAMERA ASSEMBLY (ALL MODELS)

- 1 Using the security tool provided, open the housing by loosening the (3) captive security screws located on the housing ring next to the lower clear dome (Figure 2).

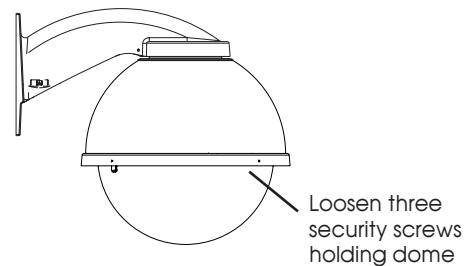


Figure 2

- 2 Install the pan/tilt unit quick-release bracket. It is recommended that this be done before installing the housing. On the next page are instructions for mounting quick-release brackets from selected manufacturers.
- 3 It is recommended that the pan/tilt be installed at this time. Connect to the quick-release bracket as shown and secure per manufacturer directions.
- 4 Clean the inside of the dome, with the text-wipe provided. Reattach the housing dome and secure the (3) captive screws. Do not overtighten the screws. Tighten only to the point at which the gap between the ring and the housing top closes.

INSTALLING THE HOUSING ASSEMBLY

- 1 Mount the housing assembly to the mounting bracket and housing coupling. A safety cable is included with the housing to temporarily hold it while making wiring connections. Loop the safety cable over one of the set screws on the housing coupling and make the appropriate connections using the (2) screw-down connectors supplied.
- 2 Undo the safety cable and twist the housing onto the housing coupling. Secure all (3) setscrews provided on the housing coupling (Figure 3).
- 3 Clean the outside of the dome.

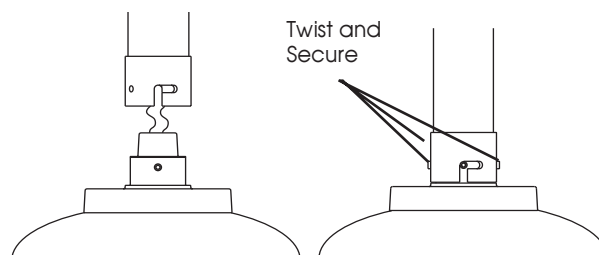


Figure 3

**CHART A WIRING COLOR CODE
POWER AND CONTROL INPUTS**

POWER

1	Camera Power (12 VDC)	Red
2	Camera Power (12 VDC)	Orange
3	Heater & Blower Power (24 VAC)	Yellow
4	Heater & Blower Power (24 VAC)	Green

NOTE: Failure to provide power to heater and blower will void the warranties on both the housing and camera.

OPTIONAL

1	Alarm 1	Blue
2	Alarm 2	Violet
3	Alarm 3	Gray
4	Common	White

CHART B POWER AND CONTROL OUTPUTS

CAMERA POWER

1	Camera Power (12 VDC)	Red
2	Camera Power (12 VDC)	Orange

Connect the power plug to the camera per Sony SNCRZ30N instructions.

OPTIONAL

1	Alarm 1	Blue
2	Alarm 2	Violet
3	Alarm 3	Gray
4	Common	White

24k VAC Wiring Distances

The following are the recommended maximum distances for 24 VAC with a 10% voltage drop (10% is generally the maximum allowable voltage drop for AC powered devices).

Total vA consumed	Wire Gauge						
	22	20	18	16	14	12	10
50	35	56	90	143	228	362	576

- 1 Install the Sony BRC300 pan/tilt onto the quick release bracket using the (4) screws provided with the camera (Figure 4).

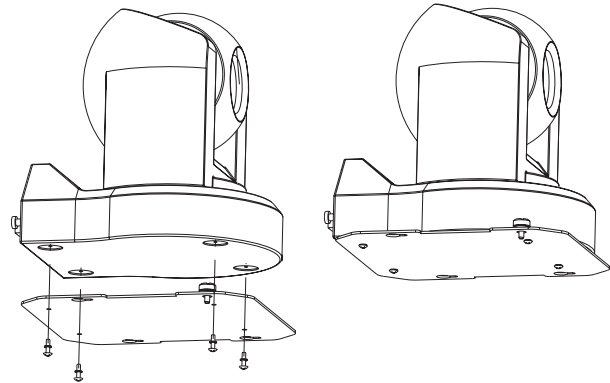


Figure 4

- 2 Place the Sony BRC300 pan/tilt and quick release bracket in the housing, sliding the three open screw slots over the screws in the housing. Slide the bracket forward, then tighten the captive screw on the bracket (Figures 5, 6, and 7).

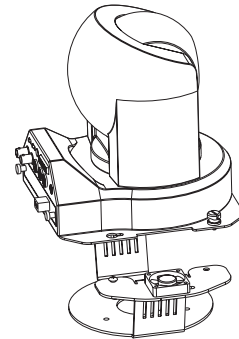


Figure 5

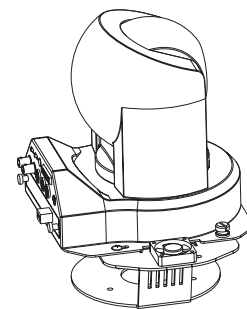


Figure 6

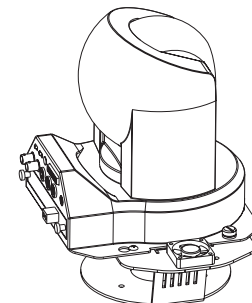
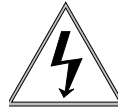
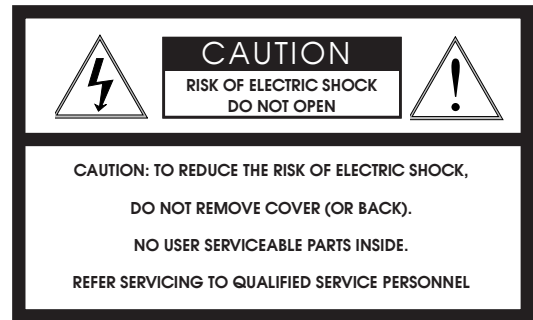


Figure 7

IMPORTANT SAFEGUARDS

- 1 Read Instructions - All the safety and operating instructions should be read before the unit is operated.
- 2 Retain Instructions - The safety and operating instructions should be retained for future reference.
- 3 Heed Warnings - All warnings on the unit and in the operating instructions should be adhered to.
- 4 Follow Instructions - All operating and user instructions should be followed.
- 5 Electrical Connections - Only a qualified electrician should make electrical connections..
- 6 Attachments - Do not use attachments not recommended by the product manufacturer as they may cause hazards.
- 7 Cable Runs - All cable runs must be within permissible distance
- 8 Mounting - This unit must be properly and securely mounted to a supporting structure capable of sustaining the weight of the unit. Accordingly:
 - a. The installation should be made by a qualified installer.
 - b. The installation should be in compliance with local codes.
 - c. Care should be exercised to select suitable hardware to install the unit, taking into account both the composition of the mounting surface and the weight of the unit. Be sure to periodically examine the unit and the supporting structure to make sure that the integrity of the installation is intact. Failure to comply with the foregoing could result in the unit separating from the support structure and falling, with resultant damages or injury to anyone or anything struck by the falling unit.

SAFETY PRECAUTIONS



The lightning flash with an arrowhead symbol, within an equilateral triangle, is intended to alert the user to the presence of non-insulated “dangerous voltage” within the product’s enclosure that may be of sufficient magnitude to constitute a risk of electric shock to persons.



The exclamation point within an equilateral triangle is intended to alert the user to presence of important operating and maintenance (servicing) instructions in the literature accompanying the appliance.

UNPACKING

Unpack carefully. Electronic components can be damaged if improperly handled or dropped. If an item appears to have been damaged in shipment, replace it properly in its carton and notify the shipper.

Be sure to save:

- 1 The shipping carton and packaging material. They are the safest material in which to make future shipments of the equipment.
- 2 These Installation and Operating Instructions.

SERVICE

If technical support or service is needed, contact Sony at the following number:

TECHNICAL SUPPORT
8:15AM to 7:30PM (Eastern Time)
1-800-883-6817

Free Manuals Download Website

<http://myh66.com>

<http://usermanuals.us>

<http://www.somanuals.com>

<http://www.4manuals.cc>

<http://www.manual-lib.com>

<http://www.404manual.com>

<http://www.luxmanual.com>

<http://aubethermostatmanual.com>

Golf course search by state

<http://golfingnear.com>

Email search by domain

<http://emailbydomain.com>

Auto manuals search

<http://auto.somanuals.com>

TV manuals search

<http://tv.somanuals.com>