

System up VCD/MP3 Player

Operating Instructions

使用說明書



CSX-V58MP

Sony Corporation © 2002 Printed in Korea

Features

- Sony BUS system compatible VCD/MP3 Player.
- MP3 file playback (recorded in the ISO9660 level 1 or 2 format, or Joliet or Romeo in the expansion format or in Multi Session)
- CD-R/CD-RW which can have a session added can be played.
- Discs recorded in Multi Session (CD-Extra, Mixed mode CD, etc.) can be played, depending on the recording method.

Specifications

System	Compact disc digital audio system
Signal format system	NTSC/PAL switchable
Frequency response	20 - 20,000 Hz
Wow and flutter	Below the measurable limit
Signal-to-noise ratio	85 dB
Outputs	Audio outputs (left/right) Video output BUS control output
Power requirement	12 V DC car battery (negative ground)
Current drain	0.9 A (during disc playback) 1.8 A (during loading or ejecting a disc)
Operating temperature	-10 °C to +55 °C
Dimensions	Approx. 178 × 50 × 172 mm (w/h/d)
Mounting Dimensions	Approx. 178 × 50 × 154 mm (w/h/d)
Mass	Approx. 1.3 kg
Supplied accessories	Parts for installation and connections (1 set)
Optional equipment	Media Center/Receiver XAV-7W

Design and specifications are subject to change without notice.

特點

- Sony BUS 系統相容 VCD/MP3 播放機。
- 播放 MP3 檔案 (以 ISO 9660 level 1 或 level 2 格式錄製, 或以擴展格式或 Multi Session 中的 Joliet 或 Romeo 格式錄製)
- 可以播放能添加一個話路的 CD-R/CD-RW 光碟。
- 視錄製方法而定, 能播放以 Multi Session 錄製的光碟 (CD-Extra 和 Mixed 型 CD 等)。

規格

系統	唱碟數字聲頻系統
訊號格式系統	NTSC/PAL 可切換
頻率響應	20 - 20,000 Hz
失真和顫動	低於可測量限度
信噪比	85 dB
輸出端子	音頻輸出 (左/右) 視頻輸出 BUS 控制輸出
電源	12 V DC 汽車電池 (負接地)
電流消耗	0.9 A (播放 CD 中) 1.8 A (裝放或排出一唱碟中)
操作溫度	-10°C 到 +55°C
尺寸	約 178×50×172 mm (寬/高/深)
安裝尺寸	約 178×50×154 mm (寬/高/深)
重量	約 1.3 kg
提供的附件	安裝和接線用部件 (1 套)
選購裝置	Media Center/Receiver XAV-7W

設計和規格有所變更時, 恕不另行奉告。

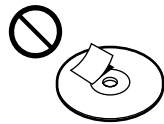
1

Discs with sticky residue or ink
留有黏性殘留物或油墨的光碟

Discs with labels attached
貼有可撕黏紙的光碟

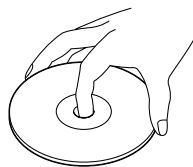
Discs with peeling stickers
標籤部分剝離, 留下黏性膠糊

A

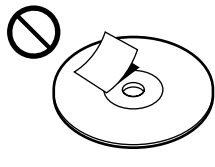


B

1



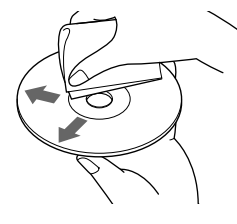
2



3



4



Precautions

Moisture condensation

On a rainy day or in a very damp area, moisture may condense on the lenses inside the unit. Should this occur, the unit will not operate properly. In this case, **remove the disc and wait for about an hour until the moisture has evaporated.**

Notes on discs (1-A)

Do not use discs with sticky residue on the surface (e.g., second-hand or rental discs with sticky seals, ink, or peeling stickers). If you use such a disc, the sticky residue could cause the disc to stop spinning and may cause a malfunction or ruin the disc.

• Do not use any discs with labels or stickers attached.

The following malfunctions may result from using such discs:

- Inability to eject a disc (due to a label or sticker peeling off and jamming the eject mechanism).
- Inability to read audio data correctly (e.g., playback skipping, or no playback) due to heat shrinking of a sticker or label causing a disc to warp.

- Discs with non-standard shapes (e.g., heart, square, star) cannot be played on this unit. Attempting to do so may damage the unit. Do not use such discs.
- You cannot play 8 cm CDs.

Notes on handling discs (1-B)

A dirty or defective disc may cause sound-dropouts during playback. To enjoy optimum sound, handle the disc as follows.

On handling discs

- To keep the disc clean, handle the disc by its edge. Do not touch the surface (1).
- Do not stick paper or tape on the disc (2). If there is a sticky residue, glue etc., on the disc, remove it completely before using the disc.
- Do not expose discs to direct sunlight or heat sources such as hot air ducts. Do not leave discs in a car parked in direct sunlight (3).
- After playing a disc, store it in its case.

On cleaning

- Before playing a disc, clean it with a cleaning cloth. Wipe the disc from the centre out (4). Do not use solvents such as benzene, thinner, commercially available cleaners or antistatic spray intended for analogue discs.

使用前須注意

濕氣冷凝

雨天或在潮濕的地方, 機器內部的透鏡上面可能發生濕氣冷凝。透鏡上有冷凝水分時, 機器將不能正常地運行。此時, 請取出光碟, 等候大約一個小時讓冷凝水分完全蒸發乾燥。

唱碟須知 (1-A)

請勿使用表面有黏性殘留物的光碟 (如二手光碟或留有黏性標籤、油墨或可撕黏紙的出租光碟)。如您使用此類光碟, 黏性殘留物可能會使光碟停止旋轉, 從而引起故障或損壞光碟。

- 請勿使用粘有任何標籤或貼紙的光碟。使用此類光碟可能會引起下列故障:
 - 無法退出光碟 (由於標籤或貼紙剝落並阻塞退出機構)
 - 由於貼紙或標籤的熱漲冷縮導致光碟彎曲無法正確讀取音頻資料 (例如: 播放跳躍, 或無法播放)。
- 本機不能播放非標準形狀的光碟 (如, 心型, 正方形, 星型)。若是試圖播放此類光碟, 則可能損壞本機。切勿使用此類光碟。
- 您不能播放 8 cm 規格的光碟。

操作光碟須知 (1-B)

唱碟髒了或變形, 可能會在放音時發生聲音脫落現象。為保持良好的音質條件, 請按照如下所述正確操作唱碟。

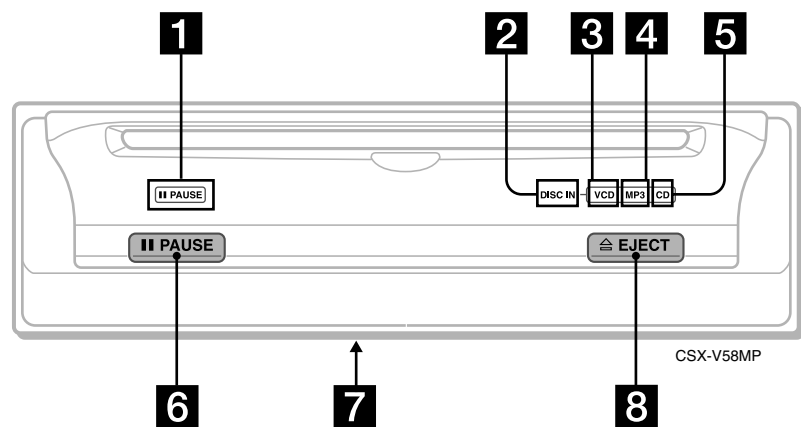
關於光碟操作

- 為了保持光碟清潔, 操作光碟時請持其邊緣, 勿接觸其表面 (1)。
- 請勿在光碟上黏貼紙片或膠帶 (2)。如果光碟上有黏性殘留物、膠水等, 在使用光碟前, 請徹底去除掉。
- 勿將光碟放在陽光直射處或如暖氣管之類的熱源附近。勿將光碟放在泊於直射陽光下的汽車內 (3)。
- 光碟播放完畢後請將其放入光碟盒內。

關於光碟清潔

- 在播放之前請用清潔軟布擦拭光碟。注意要從光碟中心向邊緣擦拭 (4)。
- 不可利用酒精, 稀硫酸, 市售的清潔劑或留聲機唱片的抗靜電噴射劑等溶劑清潔唱碟。

Location of controls and indication lights



- 1 PAUSE indication**
lights up while the unit is pausing a disc.
- 2 DISC IN indication**
lights up when a disc is in the unit.
- 3 VCD indication**
lights up when a Video CD is in the unit.
- 4 MP3 indication**
lights up when the disc in the unit contains MP3 files.
- 5 CD indication**
lights up when an audio CD is in the unit.
- 6 PAUSE (II) button**
To pause disc playback.
- 7 NTSC/PAL select switch** (located on the bottom of the unit)
This unit conforms to the NTSC/PAL colour system by setting the select switch to NTSC or PAL. The TV colour system of this unit is factory-set to the NTSC position. See "NTSC/PAL select switch" in the Installation/Connections manual.
- 8 EJECT (▲) button**
To eject a disc from the unit.

Tip

This unit must be connected to an optional Sony master unit with BUS control functions, such as the recommended Media Center/Receiver XAV-7W.

Audio CD/MP3 file/Video CD

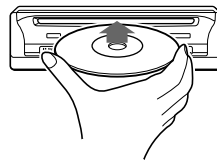
In addition to playing an audio CD with the unit, you can play a disc containing MP3 files; compressed audio files (tracks) with quality of sound. You can also play a Video CD* and view pictures on the monitor of connected optional unit.

Depending on a Video CD, operation may be different or restricted. Refer to the instructions supplied with your disc.

* This unit is not compatible with version 2.0.

Playing a disc

Insert a disc (labelled side up) in the unit. Playback starts automatically.



Press	To
PAUSE (II)	pause playback
EJECT (▲)	eject the disc

Proceed with further operations by using the optional unit(s) controls. For details, refer to the operating instructions supplied with connected optional units.

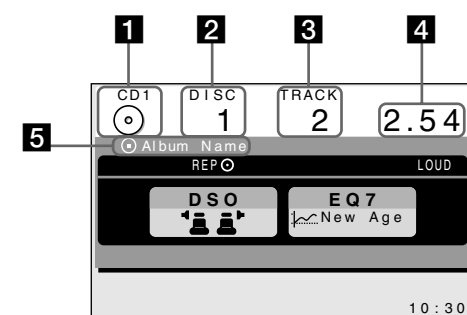
Notes

- This unit will resume playback;
 - when you select the same source and mode of this unit again.
 - when CD playback is automatically switched to this unit from other connected optional CD units.
- During repeat/shuffle playback, this unit may work differently from other optional Sony CD units.
- During shuffle playback, album up/down is not available.
- With this unit connected to an optional Sony BUS compatible master unit and an optional monitor other than XAV-7W, display items may appear as follows;
 - "DRCTY" or "DIR" may appear instead of "ALBUM."
 - "FILE" may appear instead of "TRACK."

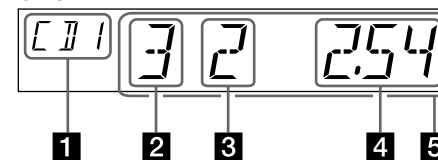
Indications of monitor and display window

The indications of monitor and display window will differ, depending on the type of connected Sony BUS compatible master unit. The monitor and display illustrated here correspond to those of Media Center/Receiver XAV-7W.

Monitor indications



Display window indications



- 1 Source type and changer number**
- 2 DISC number**
- 3 Track number/MP3 file number*¹**
- 4 Elapsed playback time*²**
- 5 Album name/MP3 file name*³**

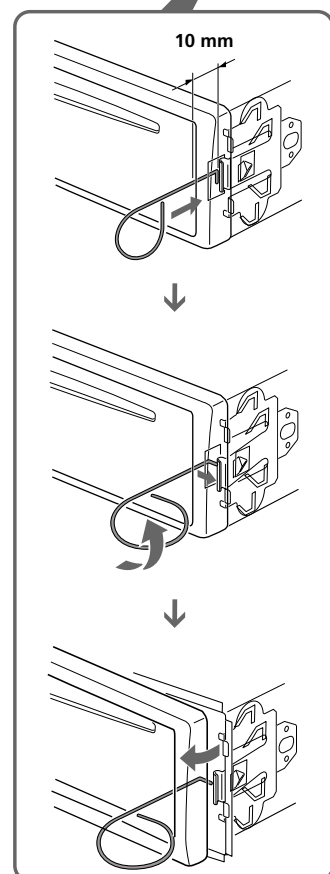
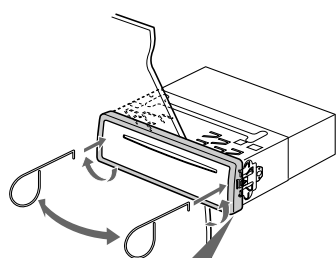
- *¹ The added MP3 file number is displayed. It is numbered from the first MP3 file on the disc. On and after the 500th MP3 file, the MP3 file number cannot be displayed properly.
- *² Regarding the display window indications, over 100 minutes, the elapsed playback time will not appear properly.
- *³ Album name and MP3 file name can be displayed with up to first 8 characters of the name.

Note

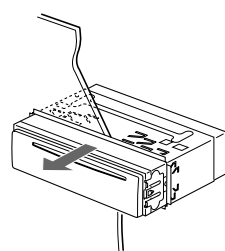
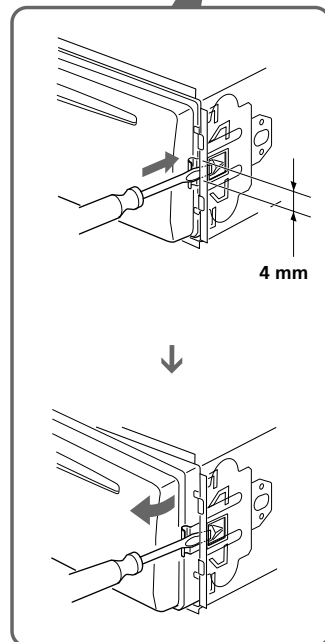
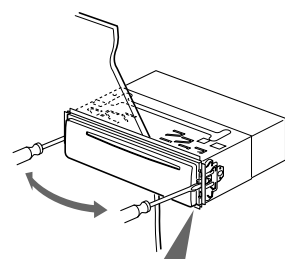
- Some characters cannot be displayed. Characters and signs which cannot be displayed appear as " * ."
- When the last track on the disc is over, the track number indication will return to "1," and playback will restart from the first track of the disc.

Removing the unit

- 1** Insert the supplied tool between the unit and the frame, and rotate 90° to release the hidden mounting spring. Repeat on the opposite side and remove the frame.



- 2** Insert a flathead screwdriver between the bracket and mounting spring. Gently pry the spring toward the unit while pulling the unit out a little. Repeat on the opposite side and remove the unit.



Troubleshooting

The following checklist will help you remedy problems you may encounter with your unit. Before going through the checklist below, check the connection and operating procedures.

CD/Video CD playback

A disc cannot be loaded.

- Another disc is already loaded.
- The disc is forcibly inserted upside down or in the wrong way.

Playback does not begin.

- Dirty or defective disc.
- Some CD-Rs/CD-RWs may not play due to its recording equipment or the disc condition.

The sound skips.

Dirty or defective disc.

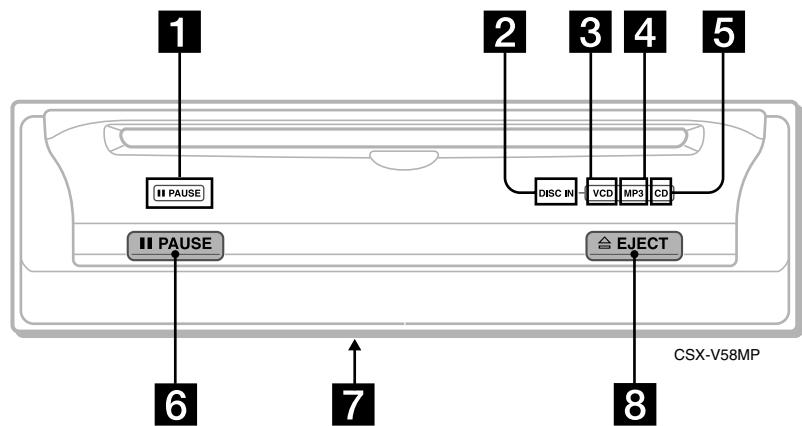
No picture.

- Check that the unit is connected securely.
- Make sure that the monitor is turned on.
- Make sure that the video input is selected on the monitor to view pictures from the unit.
- While driving a car, you cannot watch the pictures. To prevent accidents, the front video output is connected to the parking brake switch cord.
 - Stop your car and park in a safe place to watch the pictures.

Not work properly

This unit may not work properly, depending on the connected optional master unit.

控制鍵和指示位置



- 1 PAUSE 指示**
在本裝置暫停光碟時點亮。
- 2 DISC IN 指示**
當光碟在裝置內時點亮。
- 3 VCD 指示**
當視頻 CD 在裝置內時點亮。
- 4 MP3 指示**
當裝置內的光碟含有 MP3 檔案時點亮。
- 5 CD 指示**
當音頻 CD 在裝置內時點亮。
- 6 PAUSE (||) 鍵**
暫停播放光碟。
- 7 NTSC/PAL 選擇開關 (位於裝置底部)**
將此選擇開關設定在 NTSC 或 PAL，本裝置即可符合 NTSC/PAL 彩色系統。本裝置的 TV 彩色系統出廠設定在 NTSC 位置。請參見安裝/線路連接手冊中的“NTSC/PAL 選擇開關”。
- 8 EJECT (▲) 鍵**
從裝置中退出光碟。

提示

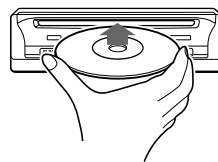
本裝置必須連接至具有 BUS 控制功能的選購裝置 Sony 主機，如建議使用的 Media Center/Receiver XAV-7W。

音頻 CD/MP3 檔案/視頻 CD

除了用本裝置播放音頻 CD 以外，您還能以優質的聲音播放含有 MP3 檔案、壓縮音頻檔案 (軌跡) 的光碟。您也能播放視頻 CD*，並在所連接選購裝置的監視器上觀看影像。請參閱隨光碟提供的說明。
*本裝置與 2.0 版不相容。

播放光碟

裝入光碟 (標籤面朝上)。
收音自動開始。



按	可進行
(PAUSE) ()	暫停播放
(EJECT) (▲)	退出光碟

使用選購裝置的控制鍵作進一步的操作。詳細說明，請參閱隨所連接選購裝置提供的使用說明書。

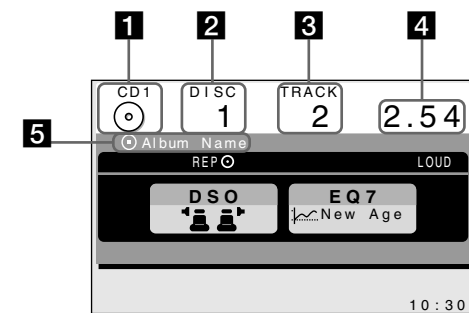
附註

- 下列情況，本裝置將繼續播放：
 - 當您再次選擇相同音源和本裝置模式。
 - 當 CD 播放從其他所連接的選購 CD 裝置切換到本裝置。
- 在反復/隨機播放時，本裝置可能與其他選購 Sony CD 裝置的操作有所不同。
- 在隨機播放時，不能使專輯向上/向下。
- 當本裝置連接至除 XAV-7W 之外的 Sony BUS 相容選購裝置和選購監視器時，顯示項目可能如下顯示：“ALBUM”變為顯示“DRCTY”或“DIR”。“TRACK”變為顯示“FILE”。

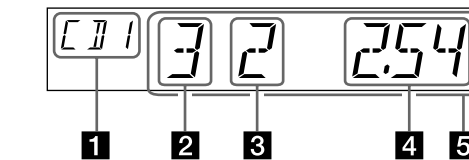
監視器和顯示窗指示

視所連接 Sony BUS 相容主機的類型而定，監視器和顯示窗的指示將有所差異。此處的監視器和顯示窗插圖是與 Media Center/Receiver XAV-7W 相一致。

監視器指示



顯示窗指示



- 1 音源類型和換碟機編號**
- 2 光碟編號**
- 3 樂曲編號/MP3 檔案編號*1**
- 4 已播放時間*2**
- 5 專輯名稱/MP3 檔案名稱*3**

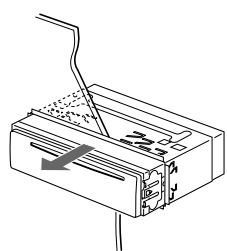
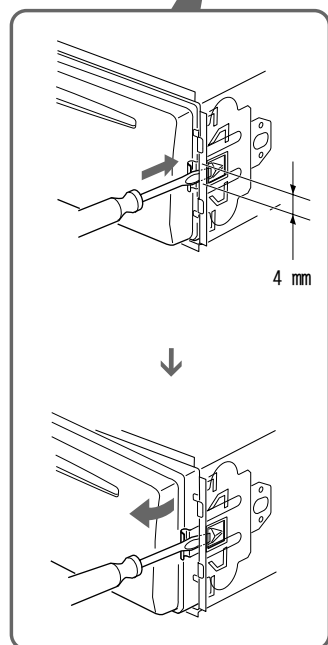
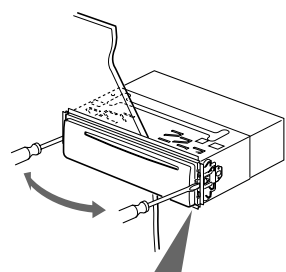
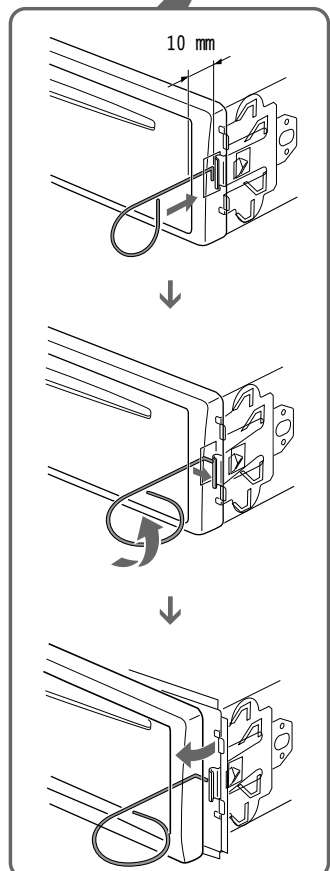
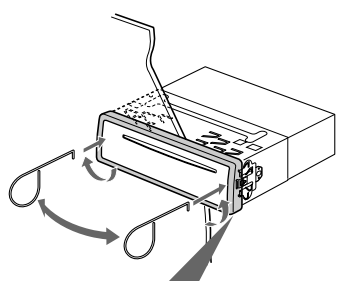
- *1 顯示增加後的 MP3 檔案編號。該號碼從光碟中第一個 MP3 檔案開始編號。第 500 個及之後的 MP3 檔案，其 MP3 檔案編號不能正確顯示。
*2 關於顯示窗，超過 100 分鐘，已播放時間將不能正確顯示。
*3 專輯名稱和 MP3 檔案名稱最多能顯示名稱的前 8 個字元。

附註

- 有些字元不能顯示。無法顯示的字元和符號用“*”代替顯示。
- 當光碟上最後一個樂曲結束，樂曲編號指示將返回至“1”，播放將從光碟的第一個樂曲重新開始。

如何取出本裝置

- 將提供的工具插入本裝置和機框之間，並旋轉 90° 以解除隱藏的安裝彈簧扣。在相對應的另一邊重複上述操作，然後拆下機框。
- 將平頭螺絲刀插入支架和安裝彈簧扣之間。在將本裝置稍微拉出時，將彈簧扣朝本裝置體方面輕輕撬起。在相對應的另一邊重複上述操作，然後拆下本裝置。



故障排除

下列檢查表有助於解決您使用本機時可能遇到的問題。在使用下面的檢查表之前，請檢查線路連接和操作步驟。

播放 CD/VCD

光碟無法裝入。

- 已裝有其他光碟。
- 光碟被上下顛倒或以錯誤的方式強行插入。

播放無法開始。

- 弄髒或受損的光碟。
- 因其刻錄設備或光碟狀況的緣故，某些 CD-R/CD-RW 光碟可能無法播放。

跳音。



弄髒或受損的光碟。

沒有影像。

- 檢查本裝置連接是否牢固。
- 確定監視器電源已打開。
- 確定已在監視器上選擇了視頻輸入，從而能從本裝置觀看影像。
- 駕駛時，您不能觀看影像。為防止發生事故，前視頻輸入連接在停車製動開關導線上。
→ 請停車並將車停泊在安全場所後再觀看影像。

工作不正常。

視所連接的選購主機而定，本裝置可能無法工作。

2	disc type 光碟種類	label on the disc 光碟上的標籤	recorded material 所收錄內容	disc size 光碟尺寸	maximum playback time 最長播放時間
	Video CD VCD	 VIDEO CD	sound and moving pictures 聲音和移動畫面	12 cm* 12 cm	74 minutes 74 分鐘
	audio CD 音頻CD	 COMPACT DIGITAL AUDIO	sound only 僅聲音	12 cm* 12 cm	74 minutes 74 分鐘

* You cannot play 8 cm CDs.
您不能播放 8 cm 規格的 CD。

Information about discs (2)

About Video CDs

A compact disc that contains moving pictures. The picture data uses the MPEG 1 format (Video CD), a worldwide standard of digital compression technology.

Video CDs also contain compact audio data. Sounds outside the range of human hearing are compressed while the sounds we can hear are not compressed.

About audio CDs

Notes on CD-R/CD-RW discs

- You can play CD-Rs (recordable CDs)/CD-RWs (rewritable CDs) on this unit.



- Some CD-Rs/CD-RWs (depending on the equipment used for its recording or the condition of the disc) may not play on this unit.
- You cannot play a CD-R/CD-RW that is not finalized*.
- A process necessary for a recorded CD-R/CD-RW disc to be played on the audio CD player.

關於光碟資訊 (2)

關於 VCD

含有移動畫面的光碟為 VCD。影像資料採用 MPEG 1 格式 (VCD)，這是一種數位壓縮技術的國際標準。VCD 還含有壓縮音頻數據。人聽覺範圍以外的聲音數據被壓縮，但並不壓縮我們可以聽到的聲音數據。

關於 音頻 CD

CD-R/CD-RW 光碟的注意事項

- 本機可播放 CD-R 光碟 (可錄 CD) / CD-RW 光碟 (可重寫 CD)。



- 本機可能無法播放某些 CD-R/CD-RW 光碟 (視光碟錄製時所用設備或光碟狀況而定)。
- 本機無法播放尚未最終化*的 CD-R/CD-RW 光碟。
* 為使錄製的光碟能在音頻CD播放機上播放而必需的一個處理過程。

Cautions when playing a disc recorded in Multi Session

- Regarding CD-Extra, you can only play audio tracks (audio CD data) on the disc.
- Regarding Mixed mode CD written by Disc-at-Once, you can play both audio tracks (audio CD data) and MP3 files on the disc.
- Regarding Mixed mode CD not written by Disc-at-Once, you can only play MP3 files on the disc.

About display items

Notes on display items in the display window of connected optional units

- Folder, directory, and album mean the same thing containing some MP3 files in a disc. MP3 file means a track.
- Folder name and MP3 file name can be displayed with up to first 8 characters of the name.
- Characters such as "A-Z," "0-9," and "." can be displayed.
- Some characters cannot be displayed. Characters and signs which cannot be displayed appear as " * . "
- Up to the 499th MP3 file, MP3 file numbers are displayed fully. On and after the 500th MP3 file, MP3 file numbers are displayed with only the last two digits.
- When this unit is connected to an optional Sony BUS compatible master unit available for album jump function*:
 - Album number remains "1" in the display window or on the monitor though you have applied operations for album jump.
 - MP3 file number appears as the added MP3 file number. It is numbered from the first MP3 file on the disc.
- With a Sony master unit without album jump function connected, the function is not available.

Note on character codes

Character codes vary depending on the master unit. For details, refer to the operating instructions for the master unit.

Note on display of playing time

In the following cases, elapsed playing time may not be displayed accurately.

- when an MP3 file of VBR (variable bit rate) is played.
- during fast-forward/reverse.

About MP3 files (3)

MP3 (MPEG 1 Audio Layer-3) is a standard technology and format for compressing a sound sequence. The file is compressed to about 1/10 of its original size. Sounds outside the range of human hearing are compressed while the sounds we can hear are not compressed.

Notes on discs

You can play MP3 files recorded on CD-ROMs, CD-Rs (recordable CDs), and CD-RWs (rewritable CDs). The disc must be in the ISO 9660*1 level 1 or level 2 format, or Joliet or Romeo in the expansion format. You can use a disc recorded in Multi Session*2.

*1 ISO 9660 Format

The most common international standard for the logical format of files and folders on a CD-ROM. There are several specification levels. In level 1, file names must be in the 8.3 format (no more than eight characters in the name, no more than three characters in the extension ".MP3") and in capital letters. Folder names can be no longer than eight characters. There can be no more than eight nested folder levels. In level 2, file names can be up to 31 characters long (including the delimiter, the dot ".", and the extension ".MP3"). Each folder can have up to 8 trees.

For Joliet or Romeo in the expansion format, make sure of the contents of the writing software, etc.

*2 Multi Session

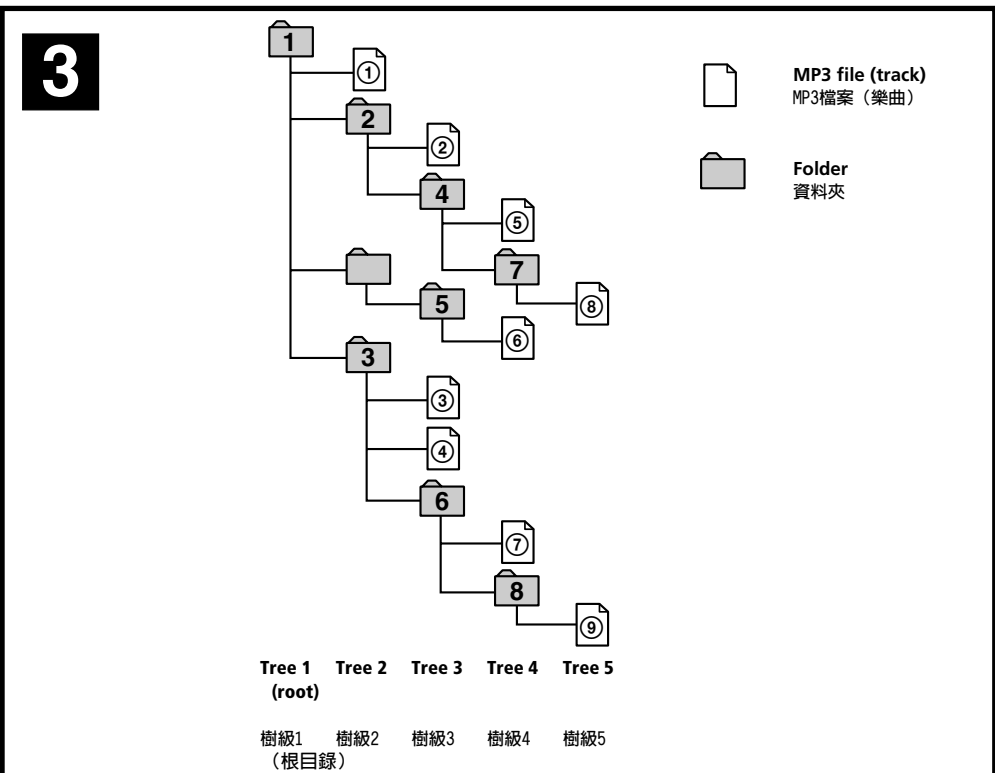
This is a recording method that enables adding of data using the Track-at-Once method. Conventional CDs begin at a CD control area called the Lead-in and end at an area called Lead-out. A Multi Session CD is a CD having multiple sessions, with each segment from Lead-in to Lead-out regarded as a single session.

CD-Extra: A format that contains audio tracks (audio CD data) in Session 1, and a data track in Session 2.

Mixed mode CD: A format that contains a data track and audio tracks (audio CD data) in a session.

Notes

- With formats other than ISO 9660 level 1, folder names or file names may not be displayed correctly.
- When naming, be sure to add the file extension ".MP3" to the file name.
- If you put the extension ".MP3" to a file other than MP3, the unit cannot recognize the file properly and will generate random noise that could damage your speakers.



The playback order of the MP3 files

The playback order of the folders and MP3 files is shown in the illustration.

Notes

- A folder that does not include an MP3 file is skipped.
- When the reset button of the connected car audio is pressed, the unit will automatically be activated and read information of the CD in the unit. When the CD information in the unit has been read, the unit will automatically stop operation. Depending on the recording method, it may take some time to stop the operation even if you set the ignition key to OFF during disc reading. This is not a malfunction.
- The following discs take a longer time to start playback.
 - a disc recorded with complicated tree structure.
 - a disc recorded in Multi Session.
 - a disc to which data can be added.
- We recommend that you make only one or two trees for each disc.
- Depending on the disc condition, the unit may not play some discs.
- Maximum folder number in a disc: 255 (including root folder and empty folders)
- Maximum MP3 file number in a disc: 999

Tip

To specify a desired playback order, input the order by number (e.g., "01," "02") before the folder or file name, then record contents onto a disc (The order differs depending on the writing software).

MP3 檔案的播放順序

資料夾和 MP3 檔案的播放順序顯示在插圖中。

附註

- 不含有 MP3 檔案的資料夾被跳過。
- 當按了所連接汽車音響的重調按鈕時，本裝置將被自動激活，並讀取裝置中的 CD 資訊。當讀完本裝置中的 CD 資訊，本裝置將自動停止運行。視錄製方法而定，在讀取光碟時，即使將點火鑰匙關到 OFF，操作也將可能持續一些時間才會停止。此屬正常情況，並非故障。
- 以下光碟要花費較長時間才能開始播放。
 - 以複雜的樹形架構錄製的光碟。
 - 以 Multi Session 錄製的光碟。
 - 能增加資料的光碟。
- 建議您對每盤光碟僅製作一個或二個樹級。
- 視光碟的情況而定，本裝置可能無法播放某些光碟。
- 一盤光碟內最多資料夾數量：255 (包括根目錄資料夾和空白資料夾)
- 一盤光碟內最多 MP3 檔案數量：999

提示

若要指定所需要的播放順序，請在資料夾或檔案名稱之前用編號 (例，"01," "02") 輸入順序，然後將內容錄製在光碟上 (視寫入軟體而定，順序將有所不同)。

關於MP3檔案 (3)

MP3 (MPEG Audio Layer-3) 是一項用於壓縮聲音順序的標準技術和格式。可以將檔案壓縮到約原大小的 1/10。超出人聽覺範圍的聲音被壓縮，但我們能聽到的聲音未被壓縮。

光碟附註

您可以播放錄製在 CD-ROM、CD-R (可錄CD) 和 CD-RW (可重寫 CD) 上的 MP3 檔案。光碟必須是 ISO9660*1 level 1 或 level 2 格式，或是擴展格式中的 Joliet 或 Romeo。您可以使用 Multi Session*2 錄製的光碟。

*1 ISO 9660 格式

這是用於 CD-ROM 上的檔案和資料夾邏輯格式的最普通國際標準。有幾個規格等級。在 Level 1 中，檔案名稱必須是 8.3 格式 (名稱不能超過八個字符，擴展名 ".MP3" 中不能超過三個字符) 和大寫字母。資料夾名稱不能超過八個字符。不能有超過八個資料夾嵌套等級。在 level 2 中，檔案名稱最多可為 31 個字符 (包括分隔符、點 "." 和擴展名 ".MP3")。每個資料夾最多能有 8 棵樹級。對於擴展格式中的 Joliet 或 Romeo 格式，請確認寫入軟體等的容量。

*2 Multi Session

這是一種採用 Track-at-Once 方法，用於增加資料的錄製方法。常規的 CD 從稱作 Lead-in 的 CD 控制區開始，在稱作 Lead-out 的區域結束。Multi Session CD 是一種具有多話路的 CD，從 Lead-in 到 Lead-out 的每個分段被作為單獨的話路。CD-Extra：是一種在話路 1 中為包含音頻軌跡 (音頻 CD 資料)，且在話路 2 中包含資料軌跡的格式。Mixed 型 CD：在一個話路中同時包含資料軌跡和音頻軌跡 (音頻 CD 資料) 的格式。

附註

- 除了 ISO 9660 level 1 格式，其它格式的資料夾名稱或檔案名稱可能無法正確顯示。
- 在命名時，必須在檔案名稱後加上擴展名 ".MP3"。
- 如果將擴展名 ".MP3" 加在非 MP3 檔案後面，本裝置則無法正確識別該檔案，並將產生能損壞揚聲器的雜音。

播放以 Multi Session 錄製的光碟時的警示

- 關於 CD-Extra，您只能播放該光碟中的音頻軌跡 (音頻 CD 資料)。
- 關於採用 Disc-at-Once 方法寫的混合型 CD，您可以播放該光碟上的音頻軌跡 (音頻 CD 資料) 和 MP3 檔案。
- 關於採用非 Disc-at-Once 方法寫的混合型 CD，您只能播放該光碟上的 MP3 檔案。

關於顯示項目 (4)

有關所連接選購裝置的顯示窗中所顯示項目的註解

- 資料夾、目錄和專輯是指光碟中包含一些 MP3 檔案的同類項目。MP3 檔案是指一個樂曲。
- 資料夾名稱和 MP3 檔案名稱最多只能顯示名稱的前 8 個字元。
- "A-Z"、"0-9" 和 "-" 這類字元可以顯示。
- 有些字元不能顯示。無法顯示的字元和符號用 "*" 代替顯示。
- 至第 499 個 MP3 檔案，MP3 檔案號碼將全部顯示。第 500 個及後面的 MP3 檔案，其 MP3 檔案號碼只能顯示最後兩位數。
- 當本裝置連接至具有專輯跳躍功能*的選購裝置 Sony BUS 相容主機時：
 - 即使您已運用專輯跳躍功能，而在顯示窗或監視器上，專輯號碼仍然保持 "1"。
 - MP3 檔案號碼顯示增加後的 MP3 檔案號碼。該號碼從光碟上第一個 MP3 檔案開始編號。
 - 當本裝置連接了沒有專輯跳躍功能的 Sony 主機，則不能使用此功能。

關於字元碼

字元碼將根據主機的不同而改變。

關於播放時間的顯示

在下列情況中，已播放時間可能顯示不準確。

- 當播放 VBR (不確定比特速率) MP3 檔案時。
- 正在快進/後退。

Free Manuals Download Website

<http://myh66.com>

<http://usermanuals.us>

<http://www.somanuals.com>

<http://www.4manuals.cc>

<http://www.manual-lib.com>

<http://www.404manual.com>

<http://www.luxmanual.com>

<http://aubethermostatmanual.com>

Golf course search by state

<http://golfingnear.com>

Email search by domain

<http://emailbydomain.com>

Auto manuals search

<http://auto.somanuals.com>

TV manuals search

<http://tv.somanuals.com>