

CD Radio Cassette-Corder

Operating Instructions page 2^{EN}

EN

Manual de instrucciones página 2^{ES}

ES

CFD-980

Warning

To prevent fire or shock hazard, do not expose the player to rain or moisture.

Information



This Compact Disc player is classified as a CLASS 1 LASER product.

The CLASS 1 LASER PRODUCT label is located at the rear.

Table of contents

Basic Operations

- 4 Playing a CD
 - 6 Listening to the radio
 - 8 Playing a tape
 - 10 Recording on a tape
-

The CD Player

- 12 Using the display
- 13 Locating a specific point in a track
- 14 Playing tracks repeatedly (Repeat Play)
- 15 Playing tracks in random order (Shuffle Play)
- 16 Creating your own program (Program Play)
- 18 Preventing sound from skipping (ESP)

The Radio

- 19 Presetting radio stations
- 20 Playing preset radio stations

The Timer

- 21 Setting the clock
- 22 Waking up to music
- 24 Falling asleep to music

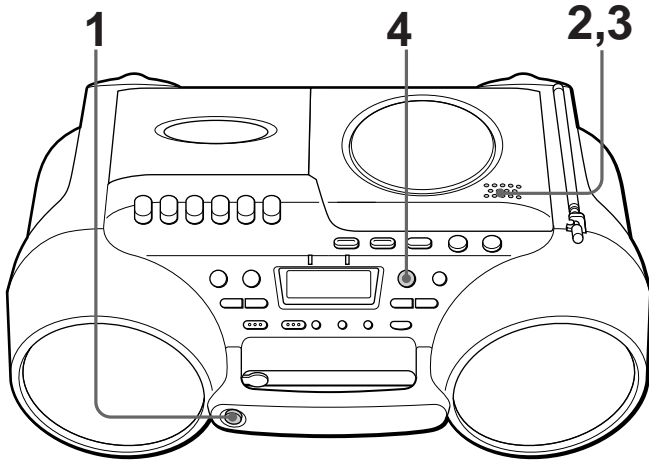
Setting Up

- 25 Choosing the power sources
- 27 Selecting the audio emphasis (Sound Mode/MEGA BASS)

Additional Information

- 28 Precautions
- 30 Troubleshooting
- 32 Maintenance
- 33 Specifications
- 34 Index

Playing a CD



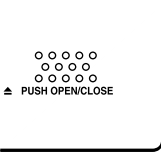
Connect the supplied AC power adaptor (see page 25).

1

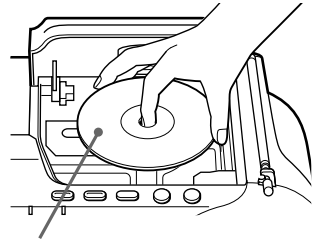


Press OPERATE to turn on the player.

2

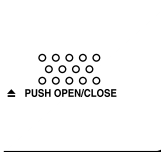


Press ▲ PUSH OPEN/CLOSE down to open the lid of the CD compartment and place the CD on the CD compartment.

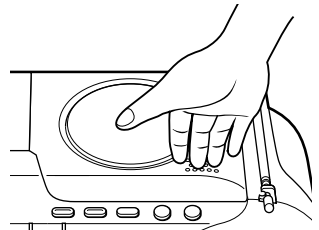


With the label side up

3



Close the lid of the CD compartment.



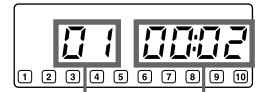
4



Press **▶||**.

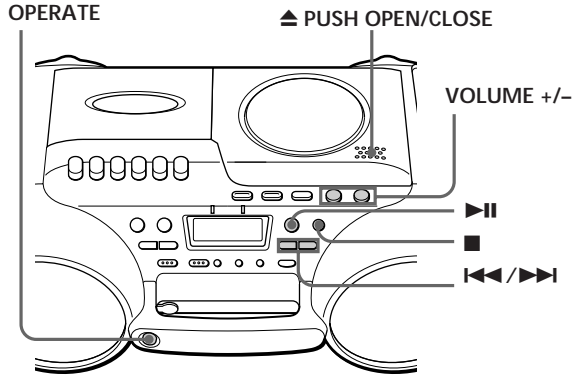
The player plays all the tracks once.

Display



Track number Playing time

Use these buttons for additional operations



Note

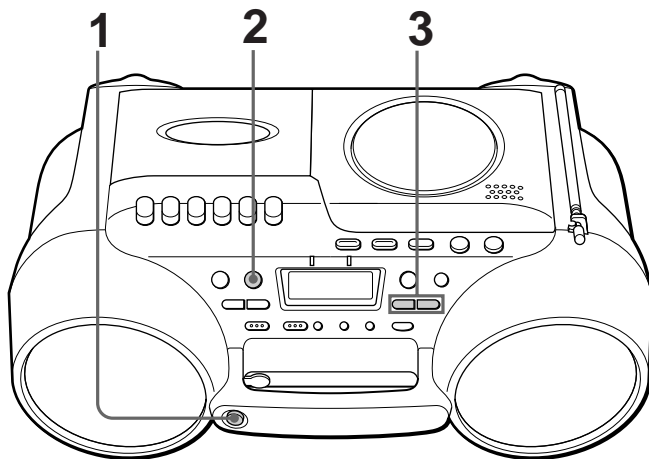
You cannot open the lid of the CD compartment when the speakers are facing upward. This is to prevent the CD from falling out of the CD compartment.



CD compartment

To	Press
Adjust the volume	VOLUME +/-
Stop playback	■
Pause playback	▶ Press again to resume play after pause.
Go to the next track	▶▶
Go back to the previous track	◀◀
Remove the CD	▲ PUSH OPEN/CLOSE
Turn off the player	OPERATE

Listening to the radio



Connect the supplied AC power adaptor (see page 25).

1



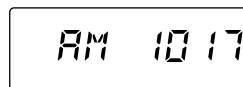
Press OPERATE to turn on the player.

2



Press BAND until the band you want appears in the display.

Display



3

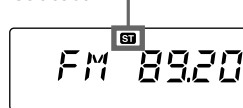


Hold down TUNING/TIME SET +/- until the frequency digits begin to change in the display.

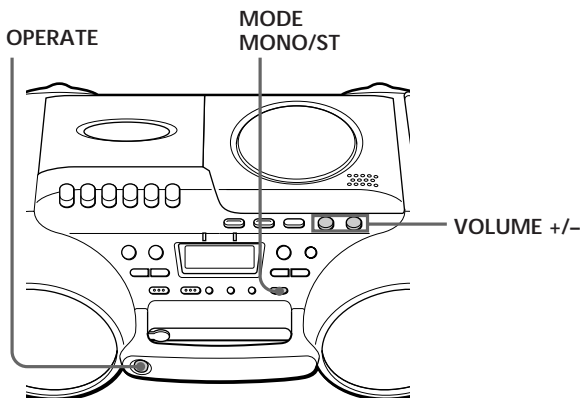
The player automatically scans the radio frequencies and stops when it finds a clear station.

If you can't tune in a station, press the button once at a time.

Indicates an FM stereo broadcast.



Use these buttons for additional operations

**Tip**

If the FM broadcast is noisy, press **MODE•MONO/ST** until "Mono" appears in the display and the radio will play in monaural.

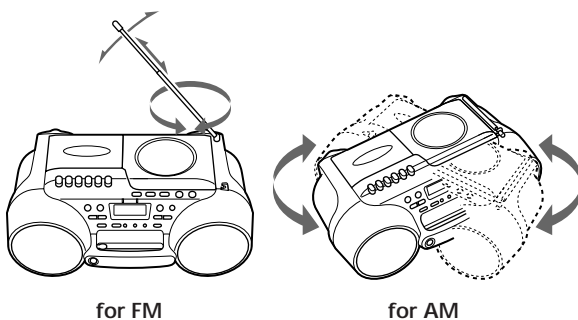
Note

When carrying the player, be sure to telescope the antenna completely and fold it down to prevent damaging it.

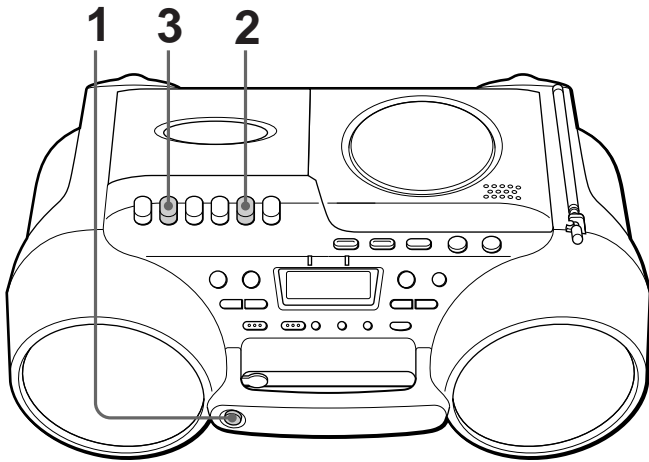
To	Press
Adjust the volume	VOLUME +/-
Turn off the radio	OPERATE

To improve broadcast reception

Reorient the antenna for FM. Reorient the player itself for AM.



Playing a tape



Connect the supplied AC power adaptor (see page 25).



1

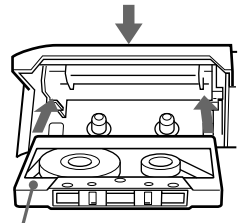


Press OPERATE to turn on the player.

2



Press   to open the tape compartment and insert a recorded tape. Use TYPE I (normal) tape only. Close the compartment.



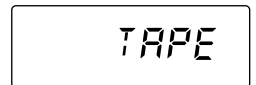
With the side you want to play facing upward

3

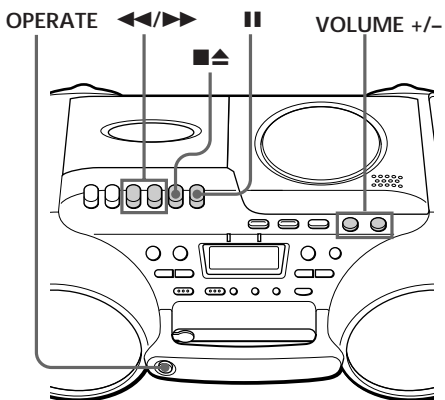


Press .
The player starts playing.

Display

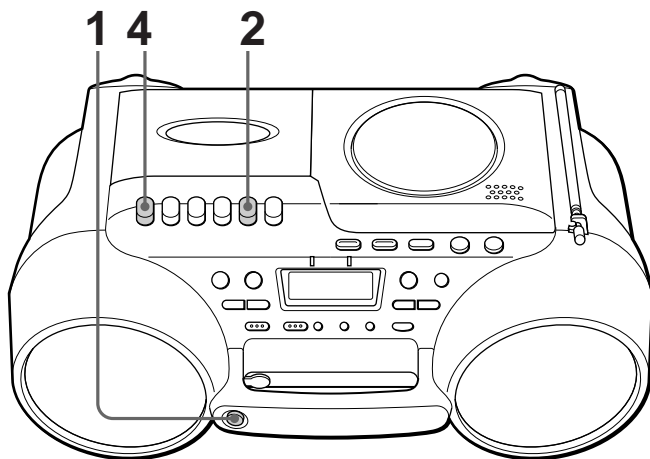


Use these buttons for additional operations



To	Press
Adjust the volume	VOLUME +/-
Stop playback	■▲
Fast-forward or rewind the tape	▶▶ or ◀◀
Pause playback	 Press the button again to resume play after pause.
Eject the cassette	■▲
Turn off the player	OPERATE

Recording on a tape



Connect the supplied AC power adaptor (see page 25).



1

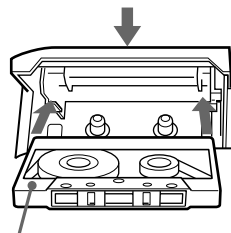


Press OPERATE to turn on the player.

2



Press   to open the tape compartment and insert a blank tape. Use TYPE I (normal) tape only.




With the side you want to record on facing upward

3



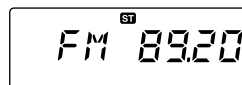
Select the program source you want to record.

To record from the CD player, insert a CD (see page 4) and press  on the CD section.

Display



To record from the radio, press BAND and tune in the station you want (see page 6.)



4

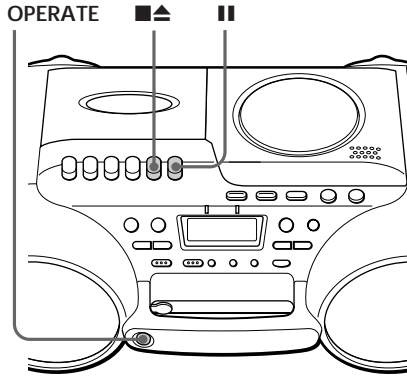


Press ● to start recording.
 (▶ is depressed automatically.)

Tips

- Adjusting the volume or the audio emphasis (see page 27) will not affect the recording level.
- To erase a recording, proceed as follows:
 - 1 Press OPERATE.
 - 2 Press FUNCTION repeatedly until "TAPE" appears in the display. Insert the tape whose recording you want to erase into the tape compartment.
 - 3 Press ●.

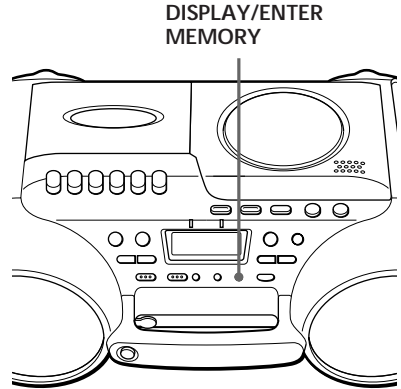
Use these buttons for additional operations



To	Press
Stop recording	■▲
Pause recording	 Press the button again to resume recording.
Turn off the player	OPERATE

Using the display

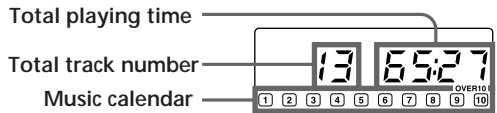
You can check information about the CD using the display.



Checking the total track number and playing time

Check the display in stop mode.

If the CD has more than 10 tracks, "OVER 10" appears in the display.



Checking the remaining time

Press DISPLAY/ENTER•MEMORY while playing a CD.

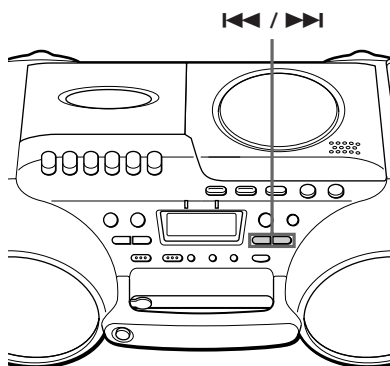
The track numbers in the music calendar disappear after they are played.

To display	Press DISPLAY/ENTER•MEMORY
The current track number and the remaining time on the current track*	Once
Remaining time on the CD and the number of tracks left	Twice
The current track number and playing time	Three times

* For a track whose number is more than 20 the remaining time appears as "--:--".

Locating a specific point in a track

You can locate a specific point in a track while playing a CD using **▶▶▶** or **◀◀◀**.

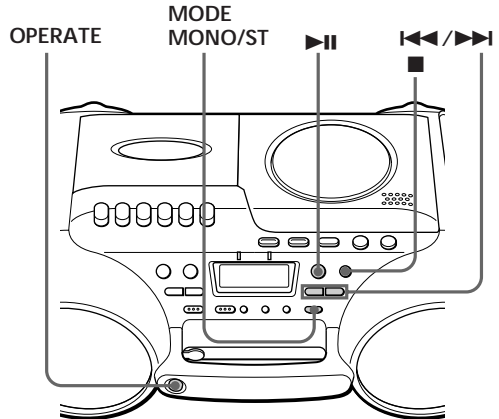


To locate	Press
a point while listening to the sound	▶▶▶ (forward) or ◀◀◀ (backward) while playing and hold down until you find the point.
a point while observing the display	▶▶▶ (forward) or ◀◀◀ (backward) in pause and hold down until you find the point.

Playing tracks repeatedly

(Repeat Play)

You can play tracks repeatedly in normal, shuffle or program play modes (see page 16).



- 1 Press OPERATE to turn on the player.
- 2 Press ■.
- 3 Press MODE•MONO/ST until the repeat mode you want appears in the display.

To repeat	Select
a single track	"REP 1"
all the tracks	"REP ALL"
tracks in random order	"SHUF" "REP"
programed tracks	"PGM" "REP" and then program tracks (see step 4 on page 16).

- 4 Do either of the following to start repeat play:
 - When you've selected "REP1", select the track by pressing ◀◀ or ▶▶ and press ▶▶.
 - When you've selected "REP ALL", "SHUF" "REP" or "PGM" "REP", press ▶▶.

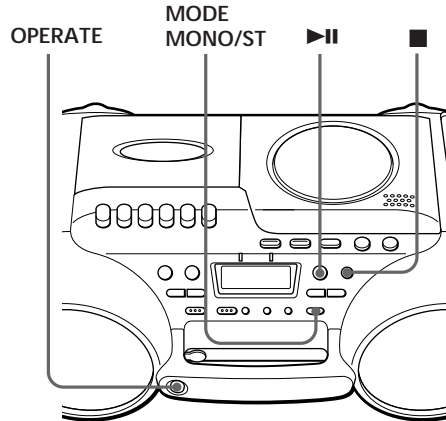
To cancel Repeat Play

Press MODE•MONO/ST until "REP" disappears from the display.

Playing tracks in random order

(Shuffle Play)

You can play tracks in random order.



- 1 Press OPERATE to turn on the player.
- 2 Press ■.
“Cd” appears in the display.
- 3 Press MODE•MONO/ST until “SHUF” appears in the display.
- 4 Press ▶|| to start shuffle play.

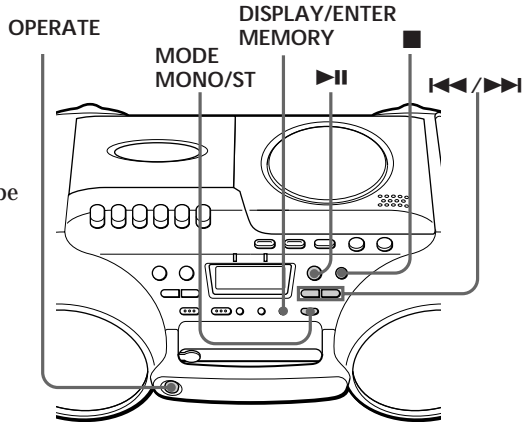
To cancel Shuffle Play

Press MODE•MONO/ST until “SHUF” disappears from the display.

Creating your own program

(Program Play)

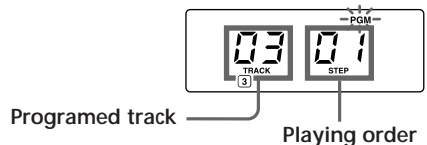
You can make a program of up to 20 tracks in the order you want them to be played.



Tips

- You can play the same program again, since the program is saved until you open the CD compartment.
- You can record your own program. After you've created the program, insert a blank tape into the tape compartment and press ● to start recording.

- 1 Press OPERATE to turn on the player.
- 2 Press ■.
"Cd" appears in the display.
- 3 Press MODE•MONO/ST until "PGM" appears in the display.
- 4 Press ◀◀/▶▶ and press DISPLAY/ENTER•MEMORY for the tracks you want to program in the order you want. You can program up to 20 tracks.



- 5 Press ▶▶ to start program play.

To cancel Program Play

Press MODE•MONO/ST until "PGM" disappears from the display.

To check the order of tracks before play

Press DISPLAY/ENTER•MEMORY.

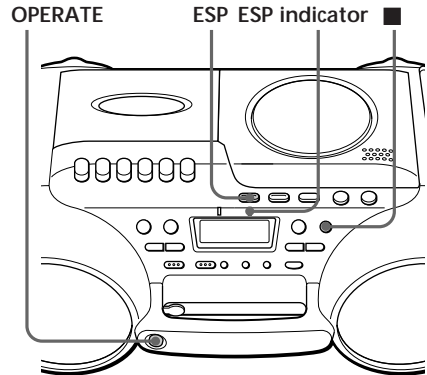
Every time you press the button, the track number appears in the programmed order.

To change the current program

Press ■ once if the CD is stopped and twice if the CD is playing. The current program will be erased. Then create a new program following the programming procedure.

Preventing sound from skipping (ESP)

The ESP (Electronic Shock Protection) function prevents the sound from skipping by using a buffer memory that stores music data for about 10 seconds.



Notes

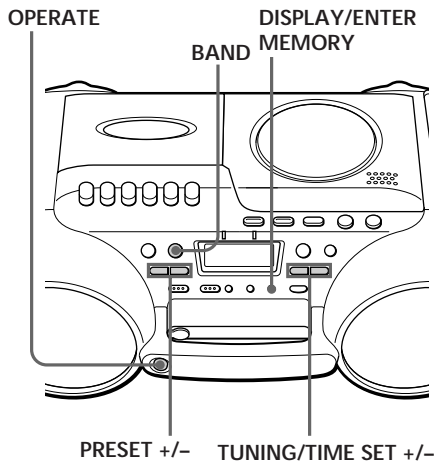
- Playing may stop when the player gets a strong shock even with the ESP function on.
- You may hear a noise or sound skip:
 - when you listen to a dirty or scratched CD.
 - when you listen to an audio test CD.
 - when the player receives continuous shock.
- Sound may drop for a while if you press ESP during play.
- During recording, you cannot change the setting of the ESP function.

- 1** Press OPERATE to turn on the player.
- 2** Press ■.
“Cd” appears in the display.
- 3** Press ESP.
The ESP indicator lights up.

To release the ESP function
Press ESP again.

Presetting radio stations

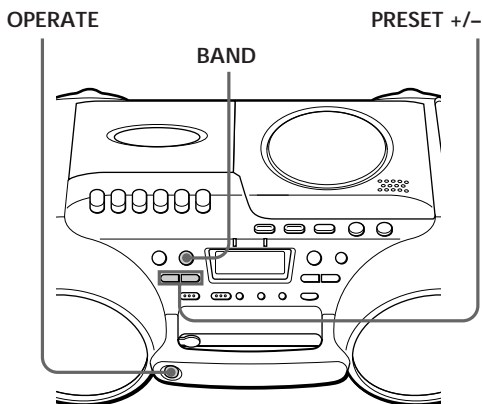
You can store radio stations into the player's memory. You can preset up to 20 radio stations, 10 for each band in any order.



- 1** Press OPERATE to turn on the player.
- 2** Press BAND to select the band.
- 3** Tune in a station you want.
- 4** Hold down DISPLAY/ENTER•MEMORY for about 2 seconds.
- 5** Press PRESET+/- until the preset number (1 to 10) you want for the station flashes in the music calendar.
- 6** Hold down DISPLAY/ENTER•MEMORY again.
The new station replaces the old one.

Playing preset radio stations

Once you've preset the stations, use PRESET +/- to tune in your favorite stations.



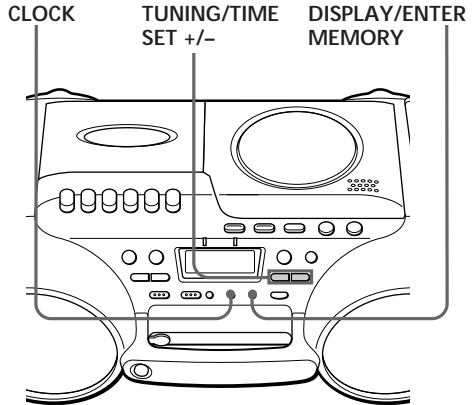
- 1 Press OPERATE to turn on the player.
- 2 Press BAND to select the band.
- 3 Press PRESET +/- to tune in a stored station.



Preset number

Setting the clock

Before you set the clock, connect the AC power adaptor (see page 25.)
Before you set the clock, "0:00" flashes.



Tip

The time display system:
24-hour system

- 1 Press **CLOCK** for about 2 seconds until the hour digit flashes.



- 2 Press **TUNING/TIME SET +/-** until you set the current hour. Then press **DISPLAY/ENTER • MEMORY**.

The minute digits flash. Set the minutes by pressing **TUNING/TIME SET +/-** until the correct minute is displayed.

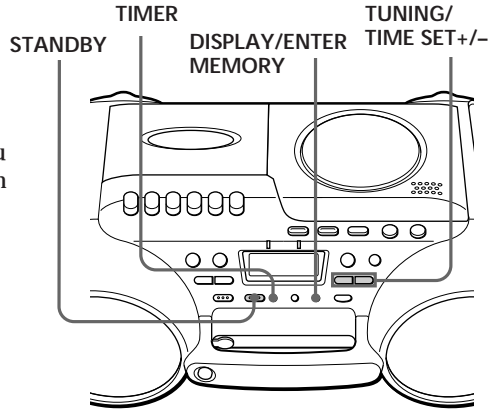


- 3 Press **DISPLAY/ENTER • MEMORY**.

The clock starts from 00 seconds.

Waking up to music

You can wake up to music or a radio program at a preset time. Make sure you have set the clock (“Setting the clock” on page 21).



- 1 Prepare the music source you want to play.

To play	Do this
the radio	Tune in a station
a CD	Insert a CD.

- 2 Press **TIMER**.

The ☹ (clock) and the music source (“Cd” or “RADIO”) flash.

- 3 Select the music source (“Cd” or “RADIO”) by pressing **TUNING/TIME SET +/-**, then **DISPLAY/ENTER • MEMORY**.

- 4 Set the timer to the hour you want the music to start by pressing **TUNING/TIME SET +/-**, then **DISPLAY/ENTER • MEMORY**.



Set the minutes, then press **DISPLAY/ENTER • MEMORY**.

- 5 Set the timer to the hour and the minutes you want the music to go off. (Do as step 4.)

Tip

You can have the player go on the next day at the same time. Just press **STANDBY** until the ☹ indication appears in the display. The preset settings remain until you reset them.

Note

The timer mode is canceled:

- when you press ► button of the tape player while music plays in the timer mode.
- when you select "TAPE" using **FUNCTION**.

- 6** Press **TUNING/TIME SET +/-** to set the volume, then **DISPLAY/ENTER•MEMORY**.



- 7** Press **STANDBY**.

The ☹ indication lights up and the power goes off.

At the preset time, the power will go on, and the music will play. Then the power will go off at the preset time, and the player will enter into the standby mode.

To check/change when the playback will start

Press **TIMER**, then **DISPLAY/ENTER•MEMORY**.

Each time you press **DISPLAY/ENTER•MEMORY**, a stored setting lights up. Change the setting if you need to when the setting lights up.

To use the player before a timer playback starts

Just turn on the player, and then you can use it.

If you turn off the player before the preset time, timer playback will start at the preset time.

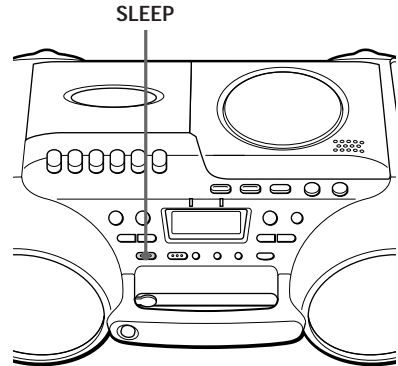
In case of the radio, however, if you listen to the station which is different from the one you tuned in in step 1 on page 22, you will hear that station at the preset time. Make sure to tune in the station you want to listen to before you turn off the player.

To stop play

Press **OPERATE**.

Falling asleep to music

You can set the player to turn off automatically after 10, 20, 30, 60, 90 and 120 minutes, allowing you to fall asleep while listening to music.



Tips

- When you are playing radio or CD, make sure that ► of the tape player is not depressed.
- You can fall asleep and wake up to different music. First, set the wake up timer by following steps in "Waking up to music" on page 22. Then, turn the power on and follow the steps on this page to set the sleep timer. When you are listening to the radio, make sure to tune in the station you want to wake up to.

Note

When you are playing a tape using this function:

If the tape length of one side is longer than the set time, the player will not go off until the tape reaches the end.

- 1 Play the music source you want.
- 2 Press SLEEP to display "SLEEP."
- 3 Press SLEEP to select the minutes until the player goes off automatically.

Each time you press the button, the indication changes as follows:

"60" → "90" → "120" → no indication → "10" → "20" → "30"



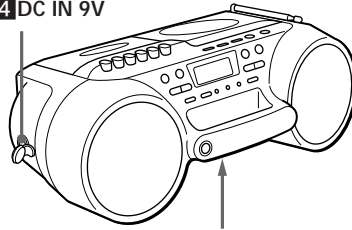
To cancel the sleep function

Press OPERATE to turn off the power.

Choosing the power sources

You can use the AC power, batteries or the car battery as a power source.

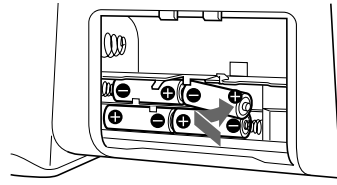
2 4 DC IN 9V



1 3 Battery compartment

1 Inserting the back-up batteries

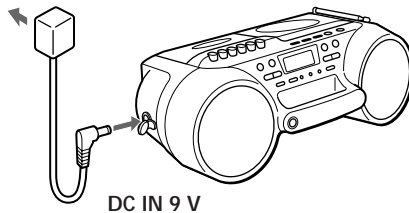
Insert four R6 (size AA) batteries (not supplied) into the battery compartment. These batteries work to save the memory data.



2 Connecting the AC power adaptor

Insert one end of the supplied AC power adaptor (AC-CD980) to the DC IN 9 V socket located on the side of the player, and the other end to the wall outlet.

To a wall outlet



Note

Use only the supplied AC power adaptor (AC-CD980). Do not use any other AC power adaptor.



Polarity of the plug

continued

Choosing the power sources (continued)

Tip

Replace the batteries when the OPR/BATT indicator dims or when the player stops operating. Replace all the batteries with new ones. Before you replace the batteries, be sure to take out the CD from the player.

Notes

- Use only the supplied car battery cord (DCC-EC9). Do not use any other car battery cord.



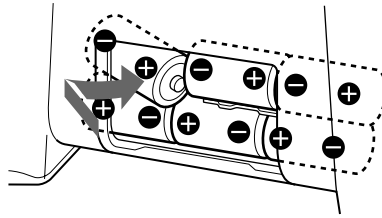
Polarity of the plug

- Use the supplied car battery cord only with a negative \ominus grounded car that uses a 12 V battery.
- If the inside of the cigarette lighter socket is dirty with ashes, etc., the plug of the car battery cord may become heated due to a bad contact. Before connecting the cord, be sure to clean the socket.
- When listening to the radio on this player, the car battery cord may cause noise. Extend it as long as possible, and keep it as far away as possible from the player.

3 Using the player on batteries

Insert six R20 (size D) batteries (not supplied) into the battery compartment.

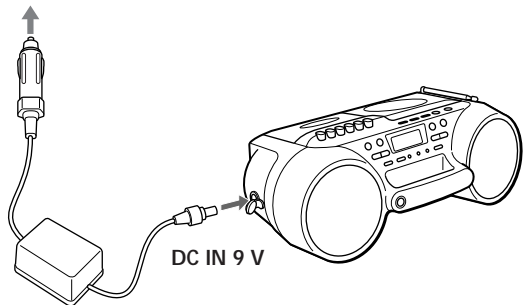
To use the player on batteries, disconnect the AC power adaptor from the player.



4 Using the player on car battery

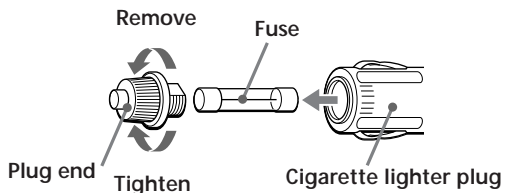
Insert one end of the supplied car battery cord (DCC-EC9) to the DC IN 9 V socket located on the side of the player, and the other end to a cigarette lighter socket.

To a cigarette lighter socket



To replace the fuse of the car battery cord

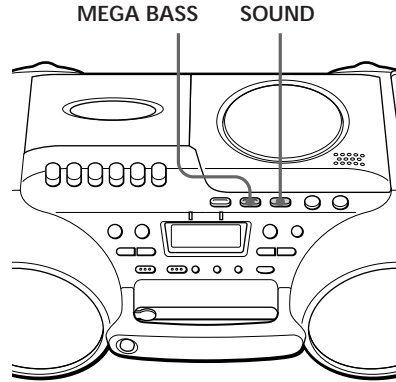
Be sure to use the fuse with the correct amperage. (4A, 125 V, length 31.75 mm)



Selecting the audio emphasis

(Sound Mode/MEGA BASS)

You can adjust the audio emphasis of the sound you are listening to.



Selecting the sound characteristic

Press SOUND to select the audio emphasis you want.

Choose	To get
ROCK	powerful, clean sounds, emphasizing low and high range audio
POP	light, bright sounds emphasizing high and middle range audio
LIVE	percussive sounds, emphasizing bass audio
VOCAL	the presence of vocals, stressing middle range audio
OFF	the whole dynamic range for music such as classical music

Reinforcing the bass sound

Press MEGA BASS.

"MEGA BASS" appears in the display. To return to normal sound, press the button again.

Precautions

On safety

- As the laser beam used in the CD player section is harmful to the eyes, do not attempt to disassemble the casing. Refer servicing to qualified personnel only.
- Should any solid object or liquid fall into the player, unplug the player, and have it checked by qualified personnel before operating it any further.
- Do not place anything within 10 mm of the side of the cabinet. The ventilation holes must be unobstructed for the player to operate properly and prolong the life of its components.
- If the player is left in a car parked in the sun, be sure to choose a location in the car where the player will not be subjected to the direct rays of the sun.

On power sources

- For AC operation, use the supplied AC power adaptor (AC-CD980); do not use any other type.
- For battery operation, use six R20 (size D) batteries.
- When the batteries are not to be used, remove them to avoid damage that can be caused by battery leakage or corrosion.
- For car battery operation, use the supplied car battery cord (DCC-EC9); do not use any other cord.
- The nameplate indicating operating voltage, power consumption, etc. is located at the rear.

On placement

- Do not leave the player in a location near heat sources, or in a place subject to direct sunlight, excessive dust or mechanical shock.
- Do not place the player on an inclined or unstable place.
- Since a strong magnet is used for the speakers, keep personal credit cards using magnetic coding or spring-wound watches away from the player to prevent possible damage from the magnet.

Do not immerse in water

This product is not meant to be immersed in water or come in continuous contact with water.

- Before opening or shutting the cassette compartment or battery compartment lid, be sure to wipe off water, dust or sand on the outside of the player.
- Water in the headphones jack may cause rusting. Cover the jack with the attached rubber cap when the headphones is not used.
- If the player is splashed with salt water, wipe clean with a damp cloth, then dry with a soft dry cloth. Do not wash under running water; do not use soap or detergent; do not dry with an electric hair dryer.
- The supplied AC power adaptor and car battery cord are not water resistant. To prevent shock hazard, avoid using the player near water during AC or car battery operation.

On operation

- If the player is brought directly from a cold to a warm location, or is placed in a very damp room, moisture may condense on the lens inside the CD player section. Should this occur, the player will not operate properly. In this case, remove the CD and wait about an hour for the moisture to evaporate.
- If the player has not been used for a long time, set it in the playback mode to warm it up for a few minutes before inserting a cassette.

If you have any questions or problems concerning your player, please consult your nearest Sony dealer.

Notes on CDs

- Before playing, clean the CD with a cleaning cloth. Wipe the CD from the center out.



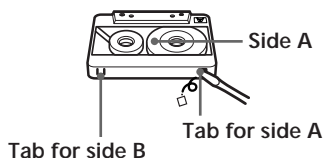
- Do not use solvents such as benzine, thinner, commercially available cleaners or anti-static spray intended for vinyl LPs.
- Do not expose the CD to direct sunlight or heat sources such as hot air ducts, nor leave it in a car parked in direct sunlight as there can be a considerable rise in temperature inside the car.

- Do not stick paper or sticker on the CD, nor scratch the surface of the CD.
- After playing, store the CD in its case.

If there is a scratch, dirt or fingerprints on the CD, it may cause tracking error.

Notes on cassettes

- Break off the cassette tab from side A or B to prevent accidental recording. If you want to reuse the tape for recording, cover the broken tab with adhesive tape.



- The use of a cassette with more than 90 minutes of play time is not recommended except for long, continuous recording or playback.

Troubleshooting

	Symptom	Remedy
General	The power is not on.	<ul style="list-style-type: none"> • Connect the AC power adaptor to a wall outlet securely. • Make sure the batteries are inserted correctly.
	There is no audio.	<ul style="list-style-type: none"> • Make sure the function you want to use appears in the display. • Adjust the volume. • Unplug the headphones when listening through speakers.
	"no disc" lights in the display even when a CD is in place.	<ul style="list-style-type: none"> • Insert the CD with the label surface up.
CD Player	The CD does not play.	<ul style="list-style-type: none"> • Make sure that the CD compartment is closed. • Place the CD with the label surface up. • Clean the CD. • Take out the CD and leave the CD compartment open for about an hour to dry moisture condensation. • Make sure "Cd" appears in the display.
	The sound drops out.	<ul style="list-style-type: none"> • Reduce the volume. • Clean the CD, or replace it if the CD is badly damaged • Place the player in a location free from vibration.
	The lid of the CD ompartment will not open.	<ul style="list-style-type: none"> • You cannot open the CD compartment when the speakers are facing upward.
Radio	The audio is weak or has poor quality.	<ul style="list-style-type: none"> • Replace all the batteries with new ones if they are weak. • Move the player away from the TV.
	The picture of your TV becomes unstable.	<ul style="list-style-type: none"> • If you are listening to an FM program near the TV with an indoor antenna, move the player away from the TV.

	Symptom	Remedy
Tape Player	The tape does not move when you press an operation button.	<ul style="list-style-type: none"> • Close the cassette compartment securely.
	The REC ● button does not function/The tape does not play.	<ul style="list-style-type: none"> • Make sure the safety tab on the cassette is in place. • Make sure "TAPE" appears in the display.
	The tape does not erase completely.	<ul style="list-style-type: none"> • Clean the erasing head (see page 32). • The source which was recorded on TYPE II (high position) or TYPE IV (metal) tape using this unit is being played. Record on TYPE I (normal) tape and play.
	The tape does not record.	<ul style="list-style-type: none"> • Make sure the tape is inserted properly. • Make sure the safety tab of the cassette is in place.
	The audio is weak/The audio quality is poor.	<ul style="list-style-type: none"> • Clean the heads, pinch roller and capstan (see page 32). • Demagnetize the heads using a demagnetizer (see page 32).
	The sound is distorted.	<ul style="list-style-type: none"> • The TYPE II (high position) or TYPE IV (metal) tape is being used. Use TYPE I (normal) tape only.
Timer	The timer does not operate.	<ul style="list-style-type: none"> • Make sure the time on the clock is correct. • Check to see if the AC power had been cut off. • Make sure the ☹ (clock) indication is displayed.

The player uses a built-in micro computer for its various operations. Due to change in power supply conditions, etc., operation may sometimes become unstable. After trying the above remedies, if the player still does not function properly, press RESET in the battery compartment with a pointed material. If the problem persists, please consult your nearest Sony dealer.

Maintenance

Cleaning the lens

If the lens becomes dirty, it may cause a skipping of sound during CD operation. Clean with a commercially available blower.

Cleaning the tape heads and tape path

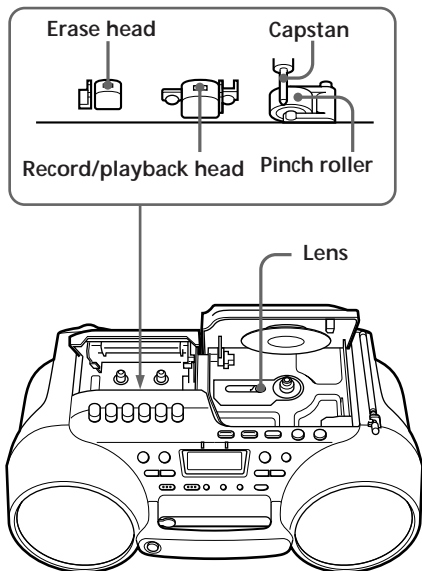
Wipe the heads, the pinch roller and the capstan with a cleaning swab slightly moistened with cleaning fluid or alcohol after every 10 hours of operation for optimum playback and recording quality. To make the best possible recording, however, we recommend that you clean all surfaces over which tape travels before each recording.

Demagnetizing the tape heads

After 20 to 30 hours of use, enough residual magnetism will have built up on the tape heads to begin to cause loss of high frequency sound and hiss. At this time, you should demagnetize the heads and all metal parts in the tape path with a commercially available tape head demagnetizer.

Cleaning the cabinet

Clean the cabinet, panel and controls with a soft cloth slightly moistened with a mild detergent solution. Do not use any type of abrasive pad, scouring powder, or solvent, such as alcohol or benzine.



After cleaning, insert a tape when the areas cleaned are completely dry.

Specifications

CD player section

System

Compact disc digital audio system

Laser diode properties

Material: GaAlAs

Wave length: 780 nm

Emission duration: Continuous

Laser output: Less than 44.6 μ W

(This output is the value measured at a distance of about 200 mm from the objective lens surface on the optical pick-up block with 7 mm aperture.)

Spindle speed

200 r/min (rpm) to 500 r/min (rpm) (CLV)

Number of channels

2

Frequency response

20 - 20,000 Hz $\pm 0.5/-1$ dB

Wow and flutter

Below measurable limit

Radio section

Frequency range

FM: 87.6 - 107 MHz

AM: 531 - 1,602 kHz

Aerials

FM: Telescopic aerial

AM: Built-in ferrite bar aerial

Cassette-corder section

Recording system

4-track 2 channel stereo

Fast winding time

Approx. 130 s (sec.) with Sony cassette C-60

Frequency response

TYPE I (normal): 50 - 13,000 Hz

General

Speaker

Full range: 10 cm (4 in.) dia.,
3.2 ohms, cone type (2)

Outputs

Headphones jack (stereo minijack)

For 16 - 68 ohms impedance headphones

Maximum power output

2.0 W + 2.0 W

Power requirements

For CD radio cassette-corder:

DC IN 9 V jack accepts:

Supplied AC power adaptor (AC-CD980) for use
with 230 V AC, 50 Hz

Supplied car battery cord (DCC-EC9) for use
with 12 V car battery

9 V DC, 6 R20 (size D) batteries

For memory back-up:

6 V DC, 4 R6 (size AA) batteries

Power consumption

AC 18 W

Battery life

For CD radio cassette-corder

FM recording

Sony R20P: approx. 15 h

Sony alkaline LR20: approx. 20 h

Tape playback

Sony R20P: approx. 12 h

Sony alkaline LR20: approx. 17 h

CD recording

Sony R20P: approx. 4 h

Sony alkaline LR20: approx. 6 h

Dimensions

Approx. 435 \times 163 \times 242 mm (w/h/d)
(17 $\frac{1}{4}$ \times 6 $\frac{1}{2}$ \times 9 $\frac{5}{8}$ inches) (incl. projecting parts)

Mass

Approx. 3.9 kg (8 lb. 10 oz) (incl. batteries)

Supplied accessories

AC power adaptor AC-CD980 (1)

Car battery cord DCC-EC9 (1)

Spare fuse (1)

Design and specifications are subject to change without notice.

Optional accessories

Sony MDR headphones series

Index

A

Audio emphasis 27

B

Batteries

for player 26

for memory back-up 25

C

CD player 12

Choosing power sources 25

Cleaning

cabinet 32

lens 32

tape heads and tape

path 32

Connecting AC power

adaptor 25

Creating your own program

16

D

Demagnetizing the tape

heads 32

Display 12

E, F, G, H

ESP 18

I, J, K

Improving broadcast

reception 7

L

Listening to the radio 6

Locating a specific point in a

track 13

M, N, O

MEGA BASS 27

P, Q

Playing

a CD 4

a tape 8

preset radio stations 20

tracks repeatedly 14

Power sources 25

Presetting radio stations 19

Program Play 16

R

Radio stations

playing 20

presetting 19

Recording on a tape 10

Repeat Play 14

S

Selecting

audio emphasis 27

tracks 5

Setting the clock 19

Setting up 25

SOUND 27

T

Timer

Falling asleep to music

24

Waking up to music 22

Troubleshooting 30

U, V, W, X, Y, Z

Using the display 12

ADVERTENCIA

Para evitar incendios o el riesgo de electrocución, no exponga el reproductor a la lluvia ni a la humedad.

Información



Este reproductor de discos compactos está clasificado como producto láserico de clase 1. La etiqueta CLASS 1 LASER PRODUCT se encuentra en la parte posterior.

Indice

Procedimientos básicos

- 4 Reproducción de un CD
- 6 Radiorecepción
- 8 Reproducción de cintas
- 10 Grabación en una cinta

Reproductor de discos compactos (CD)

- 12 Utilización del visualizador
- 13 Localización de un punto específico de una canción
- 14 Reproducción repetida de las canciones (Reproducción repetida)
- 15 Reproducción de temas en orden aleatorio (Reproducción aleatoria)
- 16 Creación de su propio programa (Reproducción programada)
- 18 Para evitar saltos de sonido (ESP)

Radio

- 19 Memorización de emisoras de radiodifusión
- 20 Sintonía de emisoras almacenadas

Temporizador

- 21 Ajuste del reloj
- 22 Activación automática de la unidad
- 24 Desactivación automática de la unidad

Preparativos

- 25 Selección de la fuente de alimentación
- 27 Selección del énfasis de audio (Modo de sonido/MEGA BASS)

Información complementaria

- 28 Precauciones
- 30 Solución de problemas
- 32 Mantenimiento
- 33 Especificaciones

Contraportada

Índice alfabético

Reproducción de un CD



Conecte el adaptador de alimentación de CA suministrado (consulte la página 25).

1

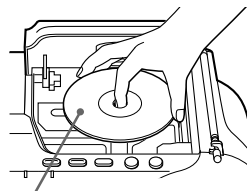


Presione OPERATE para encender el reproductor.

2



Presione ▲ PUSH OPEN/CLOSE para abrir la tapa del compartimiento del disco y coloque el CD.

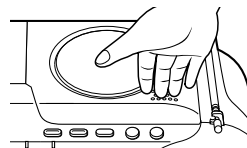


Con la superficie de la etiqueta hacia arriba

3



Cierre la tapa del compartimento del disco.



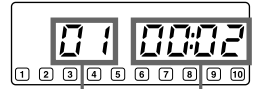
4



Presione ►||.

El reproductor reproduce todas las canciones una vez.

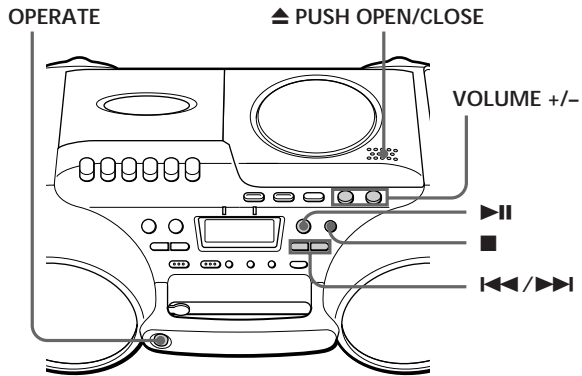
Visualizador



Número de canción

Tiempo de reproducción

Utilice estas teclas para realizar procedimientos adicionales



Nota

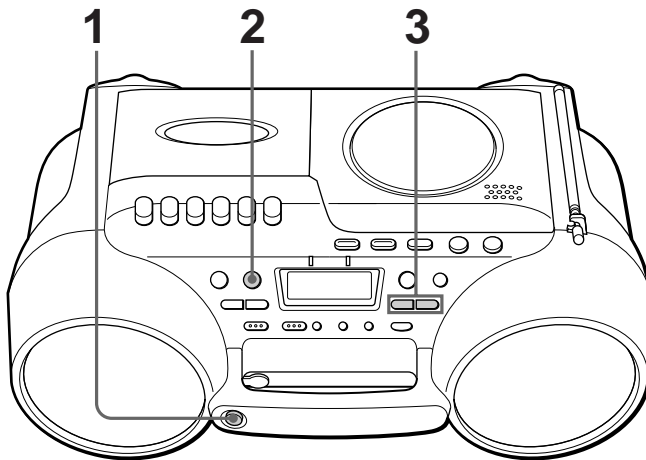
No es posible abrir la cubierta del compartimiento de CD cuando los altavoces están situados hacia arriba. Así se evita que el disco se caiga del compartimiento de CD.



Compartimiento de CD

Para	Presione
Ajustar el volumen	VOLUME +/-
Cesar la reproducción	■
Realizar una pausa	► Vuelva a presionar para reanudar la reproducción después de la pausa.
Pasar a la siguiente canción	►►
Retroceder a la canción anterior	◄◄
Extraer el disco	▲ PUSH OPEN/CLOSE
Apagar el reproductor	OPERATE

Radiorecepción



Conecte el adaptador de alimentación de CA suministrado (consulte la página 25).

1



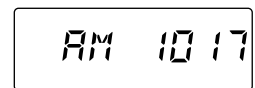
Presione OPERATE para encender el reproductor.

2



Presione BAND hasta que la banda que desee aparezca en el visualizador.

Visualizador

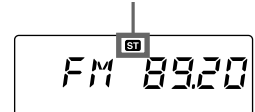


3



Mantenga presionada TUNING/ TIME SET +/- hasta que los dígitos de frecuencia comiencen a cambiar en el visualizador.

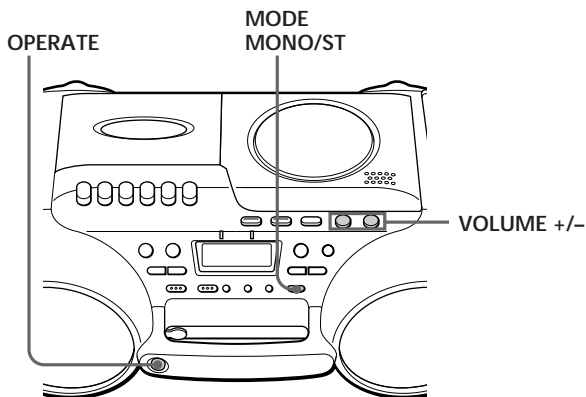
Indica una emisión estéreo de FM.



El reproductor explora automáticamente las frecuencias de radio y se detiene al encontrar una emisora con sonido nítido.

Si no puede sintonizar una emisora, presione la tecla repetidamente hasta encontrarla.

Utilice estas teclas para realizar procedimientos adicionales



Consejos

Si la emisión en FM presenta ruido, presione MODE•MONO/ST hasta que aparezca "Mono" en el visualizador; la radio sintonizará la emisión en modo monofónico.

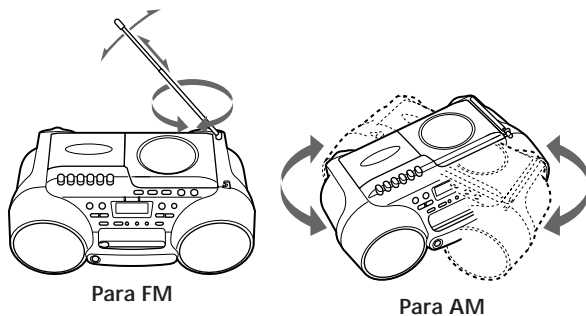
Nota

Cuando transporte el reproductor, reduzca la antena por completo y dóblela para evitar que se dañe.

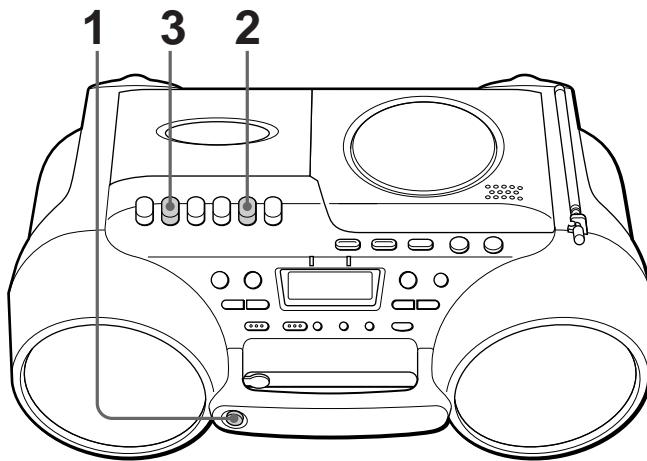
Para	Presione
Ajustar el volumen	VOLUME +/-
Apagar la radio	OPERATE

Para mejorar la recepción de la radio

Reoriente la antena para FM y el reproductor para AM.



Reproducción de cintas



Conecte el adaptador de alimentación de CA suministrado (consulte la página 25).



1

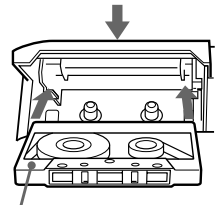


Presione OPERATE para encender el reproductor.

2




Presione   para abrir el compartimiento de la cinta e inserte una cinta grabada. Emplee sólo cintas TYPE I (normal). Cierre el compartimiento.



Con la cara que desea reproducir hacia arriba

3

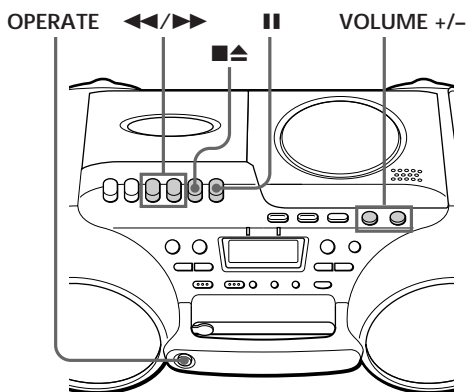


Presione .
El reproductor inicia la reproducción.

Visualizador

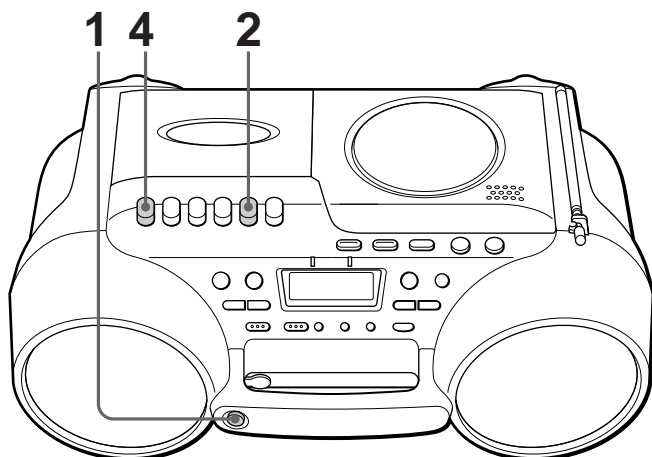
TAPE

Utilice estas teclas para realizar procedimientos adicionales



Para	Presione
Ajustar el volumen	VOLUME +/-
Cesar la reproducción	■▲
Avanzar rápidamente o rebobinar la cinta	▶▶ o ◀◀
Realizar una pausa	 Vuelva a presionar la tecla para reanudar la reproducción después de la pausa.
Extraer el cassette	■▲
Apagar el reproductor	OPERATE

Grabación en una cinta



Conecte el adaptador de alimentación de CA suministrado (consulte la página 25).

1





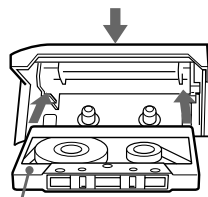
Presione OPERATE para encender el reproductor.

2



STOP/EJECT

Presione   para abrir el compartimiento de la cinta e inserte una cinta virgen. Emplee sólo cintas TYPE I (normal).




Con la cara que desea grabar hacia arriba

3

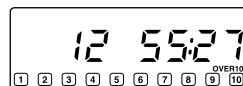
CD



Seleccione la fuente de programa que desee grabar.

Para grabar desde el reproductor de discos compactos, inserte un CD (consulte la página 4) y presione  de la sección de CD.

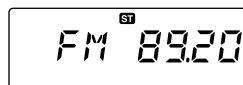
Visualizador



RADIO



Para grabar desde la radio, presione BAND y sintonice la emisora deseada (consulte la página 6).



4

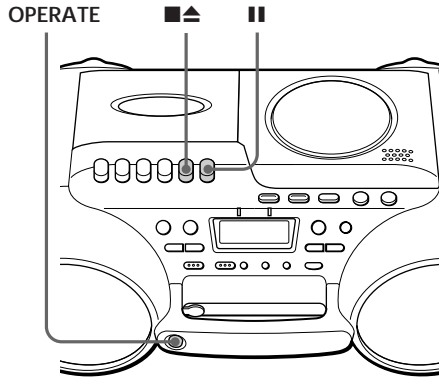


Presione ● para iniciar la grabación.
 (▶ se presiona automáticamente.)

Consejos

- Los ajustes del volumen o del énfasis de sonido no afectarán al nivel de grabación (consulte la página 26).
- Para borrar una grabación, realice lo siguiente:
 - 1 Presione OPERATE.
 - 2 Presione FUNCTION varias veces hasta que "TAPE" aparezca en el visualizador. Inserte en el compartimiento la cinta cuya grabación desee borrar.
 - 3 Presione ●.

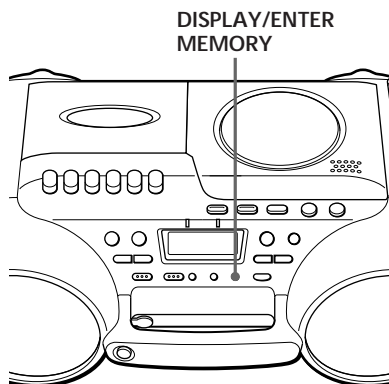
Utilice estas teclas para realizar operaciones adicionales



Para	Presione
Cesar la grabación	■▲
Realizar una pausa durante la grabación	 Vuelva a presionar la tecla para reanudar la grabación.
Apagar	OPERATE

Utilización del visualizador

Puede comprobar la información sobre el disco en el visualizador.



Comprobación del número total de canciones y del tiempo de reproducción

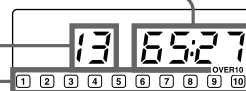
Compruebe el visualizador en modo de parada.

Si el disco contiene más de 10 canciones, la indicación "OVER 10" aparece en el visualizador.

Tiempo total de reproducción

Número total de canciones

Calendario musical



Comprobación del tiempo restante

Presione DISPLAY/ENTER•MEMORY mientras reproduce un disco.

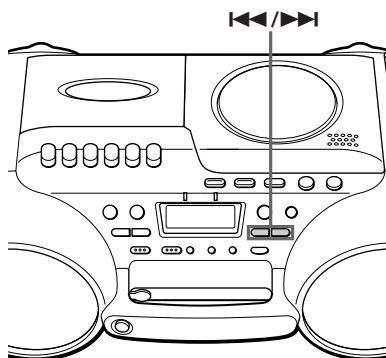
Los números de canción del calendario musical desaparecen después de reproducirse.

Para visualizar	Presione DISPLAY/ENTER•MEMORY
El número de canción actual y el tiempo restante de ésta*	Una vez
Tiempo y número de canciones del disco restantes	Dos veces
El número de canción actual y tiempo de reproducción	Tres veces

* Para las canciones de número superior a 20, el tiempo restante aparece en el visualizador con la forma "- :- -".

Localización de un punto específico de una canción

Puede localizar un punto específico de una canción con ►► o ◀◀ mientras reproduce un CD.

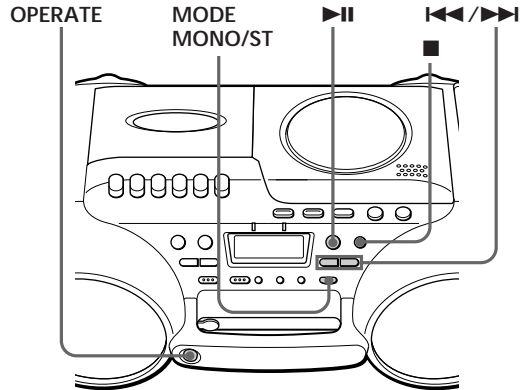


Para localizar	Presione
un punto mientras escucha el sonido	►► (hacia delante) o ◀◀ (hacia atrás) durante la reproducción y manténgala presionada hasta encontrar el punto.
un punto mientras observa el visualizador	►► (hacia delante) o ◀◀ (hacia atrás) durante una pausa y manténgala presionada hasta encontrar el punto.

Reproducción repetida de las canciones

(Reproducción repetida)

Puede reproducir las canciones repetidamente en los modos de reproducción normal, aleatoria o programada (consulte la página 16).



- 1 Presione OPERATE para encender el reproductor.
- 2 Presione ■.
La indicación “Cd” aparece en el visualizador.
- 3 Presione MODE•MONO/ST hasta que el modo de repetición deseado aparezca en el visualizador.

Para repetir	Seleccione
una sola canción	“REP1”
todas las canciones	“REP ALL”
canciones en orden aleatorio	“SHUF” “REP”
canciones programadas	“PGM” “REP” y, a continuación, programe las canciones (consulte el paso 4 de la página 16).

- 4 Realice cualquiera de las siguientes operaciones para iniciar la reproducción repetida:
 - Si ha seleccionado “REP1”, seleccione la canción presionando ►►I o I◄◄, y presione ►II.
 - Si ha seleccionado “REP ALL”, “SHUF” “REP” o “PGM” “REP”, presione ►II.

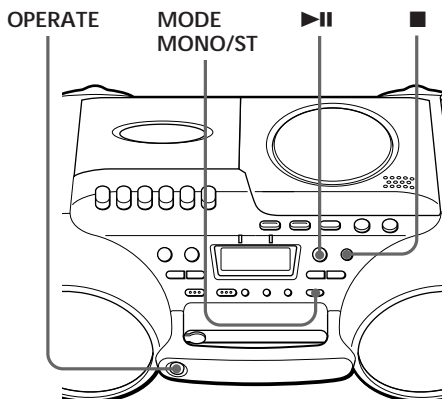
Para cancelar la reproducción repetida

Presione MODE•MONO/ST hasta que “REP” desaparezca del visualizador.

Reproducción de temas en orden aleatorio

(Reproducción aleatoria)

Es posible reproducir temas en orden aleatorio.



- 1** Presione OPERATE para encender el reproductor.
- 2** Presione ■.
La indicación “Cd” aparece en el visualizador.
- 3** Presione MODE•MONO/ST hasta que “SHUF” aparezca en el visualizador.
- 4** Presione ▶|| para iniciar la reproducción aleatoria.

Para cancelar la reproducción aleatoria

Pulse MODE•MONO/ST hasta que “SHUF” desaparezca del visualizador.

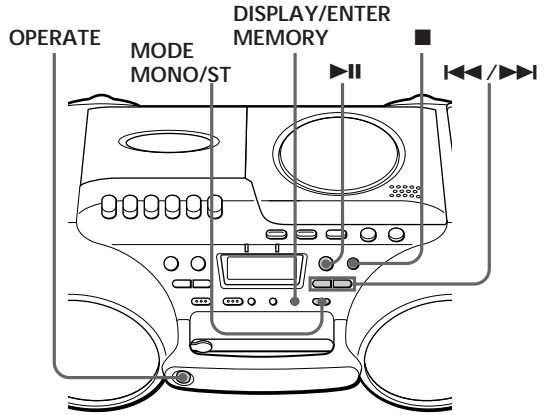
Creación de su propio programa

(Reproducción programada)

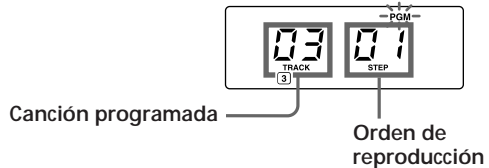
Puede crear un programa compuesto por un máximo de 20 canciones en el orden que desee reproducirlas.

Consejos

- Puede reproducir de nuevo el mismo programa, ya que éste queda almacenado en la memoria hasta que abra el compartimiento del disco.
- Puede grabar su propio programa. Una vez creado, inserte una cinta virgen en el compartimiento de la cinta y presione ● para iniciar la grabación.



- 1 Presione OPERATE para encender el reproductor.
- 2 Presione ■.
La indicación "Cd" aparece en el visualizador.
- 3 Presione MODE•MONO/ST hasta que la indicación "PGM" aparezca en el visualizador.
- 4 Presione ►► o ◀◀ y, a continuación, presione DISPLAY/ENTER•MEMORY para las canciones que desee programar en el orden que desee. Puede programar un máximo de 20 canciones.



- 5 Presione ►► para iniciar la reproducción programada.

Para cancelar la reproducción programada
Presione MODE•MONO/ST hasta que "PGM" desaparezca del visualizador.

Para comprobar el orden de las canciones antes de la reproducción

Presione DISPLAY/ENTER•MEMORY.

Cada vez que presione la tecla, el número de canción aparece en el orden programado.

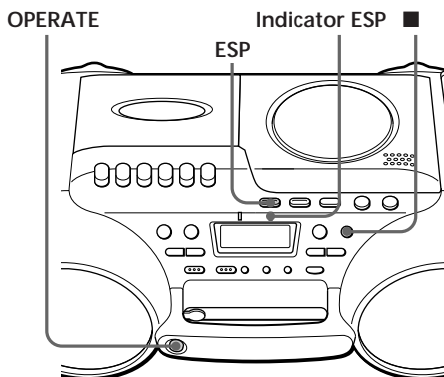
Para cambiar el programa actual

Presione ■ una vez si el CD está parado y dos veces si está reproduciéndose. El programa actual se borrará.

A continuación, cree un nuevo programa siguiendo el procedimiento de programación.

Para evitar saltos de sonido (ESP)

La función ESP (protección electrónica contra golpes) evita que se produzcan saltos de sonido mediante el uso de una memoria intermedia que almacena datos musicales durante unos 10 segundos.



Notas

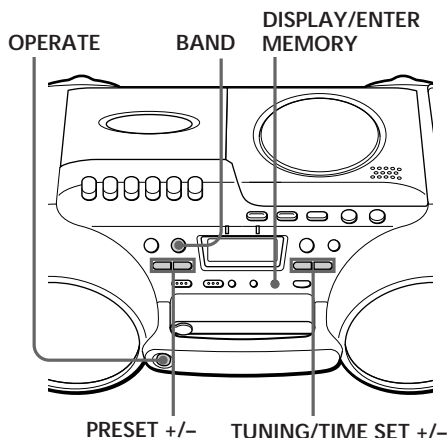
- Es posible que la reproducción se detenga si el reproductor recibe un golpe fuerte aunque la función ESP esté activada.
- Es posible que oiga un ruido o que se produzcan saltos de sonido:
 - si escucha un CD sucio o con arañazos.
 - si escucha un CD de prueba de audio.
 - si el reproductor recibe golpes continuos.
- Puede que el sonido desaparezca unos instantes si pulsa ESP durante la reproducción.
- Durante la grabación, no es posible cambiar el ajuste de la función ESP.

- 1** Presione OPERATE para activar el reproductor.
- 2** Presione ■.
Aparece “Cd” en el visor.
- 3** Presione ESP.
El indicador ESP se ilumina.

Para desactivar la función ESP
Presione ESP de nuevo.

Memorización de emisoras de radiodifusión

Es posible almacenar emisoras de radio en la memoria del reproductor. Puede programar hasta 20 emisoras de radio, 10 para FM y AM respectivamente en cualquier orden.

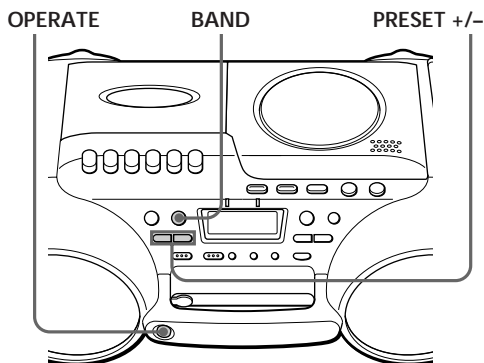


- 1** Presione OPERATE para encender el reproductor.
- 2** Presione BAND para seleccionar la banda.
- 3** Sintonice la emisora que desee.
- 4** Mantenga presionada DISPLAY/ENTER•MEMORY durante 2 segundos aproximadamente.
- 5** Presione PRESET+/- hasta que el número de programación (de 1 a 10) en el que desee predefinir la emisora parpadee en el calendario musical.
- 6** Mantenga presionada DISPLAY/ENTER•MEMORY de nuevo.

La nueva emisora sustituye a la antigua.

Sintonía de emisoras almacenadas

Una vez memorizadas las emisoras, utilice las teclas PRESET +/- para sintonizar sus emisoras preferidas.



- 1 Presione OPERATE para encender el reproductor.
- 2 Presione BAND para seleccionar la banda.
- 3 Presione PRESET +/- para sintonizar una emisora almacenada.

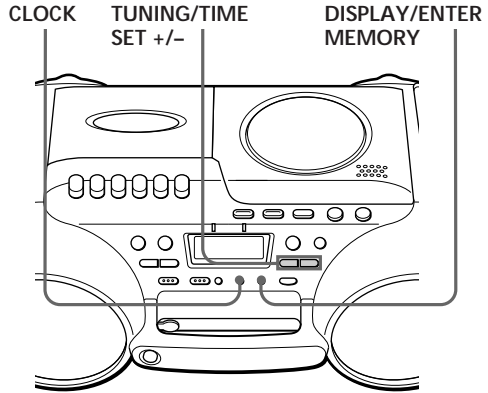


Número de programación

Ajuste del reloj

Antes de ajustar el reloj, conecte el adaptador de alimentación de CA (consulte la página 25).

Antes de ajustar el reloj, "0:00" parpadea.



Consejo

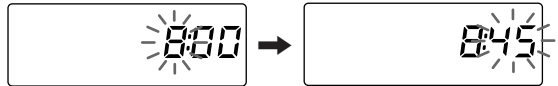
Sistema de visualización de la hora:
Sistema de 24 horas

- 1** Mantenga presionada **CLOCK** durante 2 segundos aproximadamente hasta que los dígitos de la hora parpadeen.



- 2** Presione **TUNING/TIME SET +/-** hasta ajustar la hora actual. A continuación, presione **DISPLAY/ENTER•MEMORY**.

Los dígitos de los minutos parpadean. Ajuste los minutos presionando **TUNING/TIME SET +/-** hasta que aparezcan los minutos correctos.

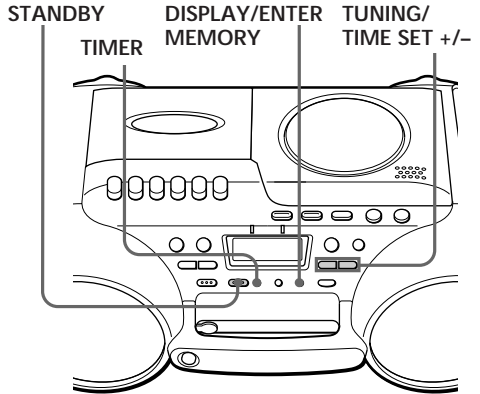


- 3** Presione **DISPLAY/ENTER•MEMORY**.

El reloj se pone en funcionamiento a partir de 00 segundos.

Activación automática de la unidad

Puede programar la hora de activación de la unidad para despertarse con música o con un programa de radio. Asegúrese de haber ajustado el reloj (Consulte “Ajuste del reloj” en la página 21).



- 1 Prepare la fuente musical que desee reproducir.

Para reproducir	Realice lo siguiente
la radio	Sintonice una emisora.
un CD	Inserte un CD.

- 2 Presione TIMER.

La indicación \ominus (reloj) y la fuente musical (“Cd” o “RADIO”) parpadean.

- 3 Seleccione la fuente musical (“Cd” o “RADIO”) presionando TUNING/TIME SET +/- y, a continuación, DISPLAY/ENTER•MEMORY.

- 4 Ajuste el temporizador a la hora que desee activar la música presionando TUNING/TIME SET +/- y, a continuación, DISPLAY/ENTER•MEMORY.



Ajuste los minutos y, a continuación, presione DISPLAY/ENTER•MEMORY.

- 5 Defina en el temporizador la hora y los minutos en que desea que se desactive la música. (Realice la acción del paso 4.)

Consejo

Es posible hacer que el reproductor se active al siguiente día y a la misma hora. Basta con presionar STANDBY hasta que la indicación ☉ aparezca en el visualizador.

Los ajustes programados se conservan hasta que vuelva a definirlos.

Nota

El modo de temporizador se cancela:

- al presionar la tecla ► del reproductor de cintas mientras la música se reproduce en el modo de temporizador.
- al seleccionar "TAPE" utilizando FUNCTION.

- 6** Presione TUNING/TIME SET +/- para ajustar el volumen y, a continuación, DISPLAY/ENTER•MEMORY.



- 7** Presione STANDBY.

La indicación ☉ se ilumina y la alimentación se desactiva.

A la hora programada, la unidad se encenderá y la música se reproducirá. A continuación, la unidad se apagará a la hora programada y el reproductor entrará en el modo de espera.

Para comprobar o modificar el momento de inicio de la reproducción

Presione TIMER y, a continuación, DISPLAY/ENTER•MEMORY. Cada vez que presione DISPLAY/ENTER•MEMORY, se iluminará un ajuste almacenado. Si es necesario, modifique el ajuste cuando se ilumine.

Para emplear el reproductor antes del inicio de una reproducción con temporizador

Basta con encender el reproductor y emplearlo con normalidad.

Si apaga el reproductor antes de la hora programada, la reproducción con temporizador se iniciará a la hora definida.

No obstante, en el caso de la radio, si escucha una emisora diferente de la sintonizada en el paso 1 de la página 22, escuchará esa emisora a la hora programada. Asegúrese de sintonizar la emisora que desee escuchar antes de apagar el reproductor.

Para detener la reproducción

Presione OPERATE.

Desactivación automática de la unidad

Es posible definir el reproductor para que se desactive automáticamente transcurridos 10, 20, 30, 60, 90 y 120 minutos, de forma que pueda dormir mientras escucha música.

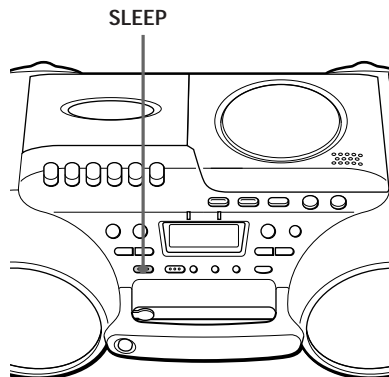
Consejos

- Al escuchar la radio o un disco compacto, asegúrese de que no esté presionada ► en el reproductor de cintas.
- Es posible dormirse y despertarse con música diferente. En primer lugar, ajuste el despertador siguiendo los pasos descritos en "Activación automática de la unidad" en la página 22. A continuación, encienda el aparato y siga los pasos que aparecen en esta misma página para ajustar el temporizador musical. Al escuchar la radio, no olvide sintonizar la emisora con la que desee despertarse.

Nota

Cuando reproduzca una cinta utilizando esta función:

Si la duración de una cara de la cinta es superior al tiempo establecido, el reproductor no se detendrá hasta que la cinta llegue al final.



- 1 Reproduzca la fuente musical que desee.
- 2 Presione SLEEP para que aparezca "SLEEP".
- 3 Presione SLEEP para seleccionar los minutos en que el reproductor se desactivará automáticamente.

Cada vez que presione la tecla, la indicación cambia como se indica a continuación: "60" → "90" → "120" → sin indicación → "10" → "20" → "30".



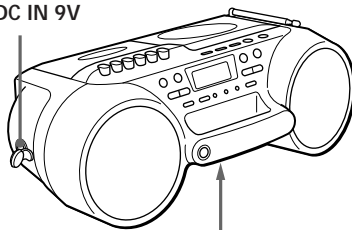
Para cancelar la función de desactivación automática

Presione OPERATE para desactivar la alimentación.

Selección de la fuente de alimentación

Puede utilizar la alimentación de CA, pilas o la batería del automóvil como fuente de energía.

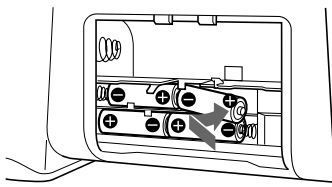
2 4 DC IN 9V



1 3 Compartimiento de las pilas

1 Inserción de las pilas de reserva

Inserte cuatro pilas R6 de tamaño AA (no suministradas) en el compartimento de pilas. Estas pilas funcionan para conservar los datos de la memoria.



Nota

Utilice sólo el adaptador de alimentación de CA suministrado (AC-CD980). No utilice ningún otro adaptador de alimentación de CA.

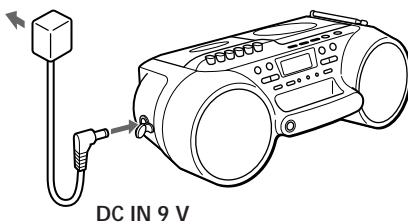


Polaridad del enchufe

2 Conexión del adaptador de alimentación de CA

Inserte un extremo del adaptador de alimentación de CA suministrado (AC-CD980) en la clavija DC IN 9 V situada en el lateral del reproductor, y el otro extremo en la toma mural.

A una toma mural



DC IN 9 V

continúa

Selección de la fuente de alimentación (continued)

Consejo

Sustituya todas las pilas por otras nuevas si el indicador OPR/BATT presenta una luz tenue, o si el reproductor deja de funcionar. Antes de sustituir las pilas, asegúrese de extraer el CD del reproductor.

Notas

- Utilice sólo el cable de batería de automóvil suministrado (DCC-EC9). No emplee ningún otro cable de batería de automóvil.



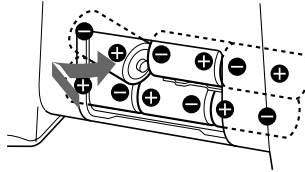
Polaridad del enchufe

- El cable de batería de automóvil suministrado puede utilizarse con vehículos con toma de tierra negativa y batería de 12 V.
- Si el interior del encendedor está sucio de cenizas, etc., el enchufe del cable de batería de automóvil puede calentarse debido a un contacto defectuoso. Antes de conectar el cable, asegúrese de limpiar la clavija.
- Al escuchar la radio con este reproductor, el cable de batería de automóvil puede producir ruido. Extiéndalo todo lo que pueda y manténgalo alejado del reproductor.

3 Utilización del reproductor con pilas

Inserte seis pilas R20 (tamaño D) (no suministradas) en el compartimiento de las pilas.

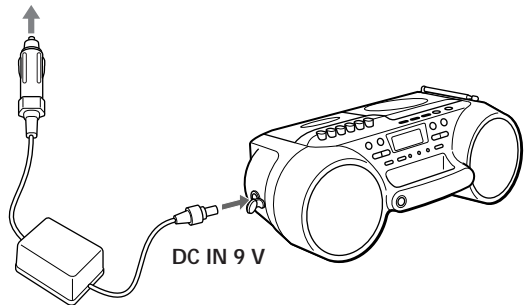
Para utilizar el reproductor con pilas, desconecte el adaptador de alimentación de CA del reproductor.



4 Uso del reproductor con la batería del automóvil

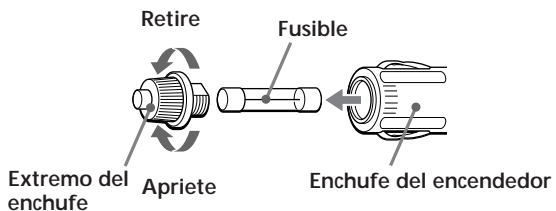
Inserte un extremo del cable de batería de automóvil (DCC-EC9) en la clavija DC IN 9 V situada en el lateral del reproductor, y el otro en una clavija del encendedor.

A una clavija del encendedor



Para sustituir el fusible del cable de batería de automóvil

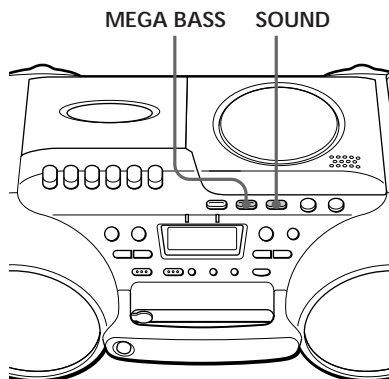
Asegúrese de utilizar un fusible con el amperaje apropiado. (4A, 125 V, longitud de 31,75 mm)



Selección del énfasis de audio

(Modo de sonido/MEGA BASS)

Puede ajustar el énfasis de audio del sonido que esté escuchando.



Selección de las características de sonido

Presione SOUND para seleccionar el énfasis de audio que desee.

Elija	Para obtener
ROCK	sonidos potentes y limpios con énfasis de las gamas baja y alta de audio
POP	sonidos brillantes y ligeros con énfasis de las gamas alta y media de audio
LIVE	sonidos de percusión con énfasis en los graves
VOCAL	sonidos vocales con énfasis de la gama media de audio
OFF	la gama dinámica completa de música, como clásica

Refuerzo de los graves

Presione MEGA BASS.

“MEGA BASS” aparece en el visualizador. Para recuperar el sonido normal, vuelva a presionar la tecla.

Precauciones

Seguridad

- No desmonte el aparato, ya que el haz láser utilizado en la sección del reproductor de discos compactos es perjudicial para los ojos. Solicite asistencia técnica sólo a personal especializado.
- Si cae algún objeto sólido o se vierte líquido sobre el reproductor, desenchúfelo y haga que se lo revise personal especializado antes de volver a utilizarlo.
- No coloque nada a una distancia inferior a 10 mm. de los lados del aparato. Procure no obstruir los orificios de ventilación para lograr el funcionamiento apropiado y prolongar la duración de sus componentes.
- Si deja el reproductor en el automóvil aparcado al sol, elija un lugar dentro del automóvil donde la unidad no esté expuesta a los rayos directos del sol.
- Ya que los altavoces están provistos de imanes potentes, mantenga alejados del reproductor tarjetas personales de crédito con codificación magnética y relojes de cuerda para prevenir posibles daños producidos por los imanes.

Fuentes de alimentación

- Para el funcionamiento con CA, utilice el adaptador de alimentación de CA suministrado (AC-CD980); no utilice ningún otro tipo de adaptador.
- Para el funcionamiento con pilas, utilice seis pilas R20 (tamaño D).
- Si no va a utilizar las pilas, extraígalas para evitar daños que podría causar el derrame del electrolito o la corrosión de las mismas.
- Para utilizar la unidad con la batería del vehículo, emplee el cable de batería de automóvil suministrado (DCC-EC9); no utilice ningún otro cable.
- La placa de características que indica la tensión de funcionamiento, consumo de energía, etc., se encuentra en la parte posterior.

Colocación

- No deje el reproductor en un lugar cercano a fuentes térmicas ni expuesto a la luz solar directa, al polvo excesivo ni a golpes mecánicos.
- No coloque el reproductor en un lugar inclinado ni inestable.

No lo sumerja en agua

Este producto no está concebido para sumergirse en agua o para que esté en contacto continuo con el agua.

- Antes de abrir o cerrar el compartimento de cassettes o la tapa del compartimento de pilas, asegúrese de eliminar el agua, polvo o arena que se encuentre en la parte exterior del reproductor.
- Si se introduce agua en la toma de auriculares, puede producir oxidación. Cubra la toma con la tapa de goma fijada si no utiliza los auriculares.
- Si salpica agua salada sobre el reproductor, límpielo con un paño húmedo y, a continuación, séquelo con un paño seco y suave. No lo lave bajo el agua corriente; no utilice jabón ni detergente; no lo seque con un secador eléctrico.

- El adaptador de alimentación de CA y el cable de batería de automóvil suministrados no son resistentes al agua. Para evitar descargas eléctricas, evite utilizar el reproductor cerca del agua durante el funcionamiento con CA o con batería de automóvil.

Funcionamiento

- Si desplaza el reproductor directamente de un lugar frío a otro cálido, o si lo coloca en una sala muy húmeda, puede condensarse humedad en la lente del interior de la sección del reproductor de discos compactos. Si esto ocurre, el reproductor no funcionará adecuadamente. En este caso, extraiga el CD y espere durante una hora aproximadamente hasta que se evapore la humedad.
- Si no ha utilizado el reproductor durante mucho tiempo, déjelo durante unos minutos en el modo de reproducción para que se caliente antes de insertar un cassette.

Si desea realizar alguna consulta o solucionar algún problema referente al reproductor, póngase en contacto con el proveedor Sony más próximo.

Notas sobre discos compactos

- Antes de la reproducción, limpie el CD con un paño de limpieza desde el centro hacia los bordes.

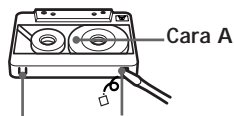


- No utilice disolventes como bencina, diluyentes, limpiadores comercialmente disponibles o rociadores antiestáticos destinados a discos analógicos.
- No exponga el CD a la luz solar directa ni a fuentes térmicas como conductos de aire caliente; tampoco lo deje en un automóvil aparcado al sol, ya que puede producirse un considerable aumento de temperatura en el interior del automóvil.
- No adhiera papeles ni adhesivos sobre el CD, ni arañe su superficie.
- Tras la reproducción, guarde el CD en su caja.

Si el disco está rayado, sucio o tiene huellas dactilares, pueden producirse errores de seguimiento.

Notas sobre cassettes

- Rompa la lengüeta del cassette de la cara A o B para evitar grabaciones accidentales. Si desea volver a utilizar la cinta para realizar grabaciones, cubra el orificio de la lengüeta rota con cinta adhesiva.



Lengüeta de la cara B Lengüeta de la cara A

- No se recomienda el uso de cassettes de tiempo de reproducción superior a 90 minutos, excepto para grabación o reproducción continua y de larga duración.

Solución de problemas

	Sintoma	Solución
General	La alimentación no se activa.	<ul style="list-style-type: none"> • Conecte firmemente el adaptador de alimentación de CA a una toma mural. • Asegúrese de que ha insertado las pilas correctamente.
	Carencia de sonido.	<ul style="list-style-type: none"> • Compruebe que la función que desee emplear aparezca en el visualizador. • Ajuste el volumen. • Desenchufe los auriculares cuando escuche a través de los altavoces.
Reproductor de discos compactos	La indicación "no disc" se ilumina en el visualizador aunque haya un CD insertado.	<ul style="list-style-type: none"> • Inserte el CD con la superficie de la etiqueta hacia arriba.
	El CD no se reproduce.	<ul style="list-style-type: none"> • Compruebe que el compartimiento del disco está cerrado. • Coloque el CD con la superficie de la etiqueta hacia arriba. • Limpie el CD. • Extraiga el CD y deje abierto el compartimiento del disco durante una hora aproximadamente hasta que se seque la condensación de humedad. • Asegúrese de que la indicación "Cd" aparece en el visualizador.
	Pérdida de sonido.	<ul style="list-style-type: none"> • Reduzca el volumen. • Limpie el CD o sustitúyalo si está gravemente dañado. • Sitúe el reproductor en un lugar sin vibraciones.
Radio	La tapa del compartimiento de CD no se abre.	<ul style="list-style-type: none"> • Si los altavoces están orientados hacia arriba, no será posible abrir el compartimiento de CD.
	El sonido es demasiado bajo o presenta mala calidad.	<ul style="list-style-type: none"> • Sustituya todas las pilas por otras nuevas si están débiles. • Aleje el reproductor del televisor.
	La imagen del televisor no es estable.	<ul style="list-style-type: none"> • Si escucha un programa en FM cerca del televisor con una antena interior, aleje el reproductor del televisor.

	Síntoma	Solución
Reproductor de cintas	La cinta permanece inmóvil cuando presiona una tecla de funcionamiento.	<ul style="list-style-type: none"> • Cierre el compartimiento del cassette con firmeza.
	La tecla REC ● no funciona/ La cinta no se reproduce.	<ul style="list-style-type: none"> • Asegúrese de que el cassette está provisto de lengüeta de seguridad. • Asegúrese de que la indicación "TAPE" aparece en el visualizador.
	La cinta no se borra por completo.	<ul style="list-style-type: none"> • Limpie las cabezas borradoras (consulte la página 32.) • Se está reproduciendo una fuente que se grabó en una cinta TYPE II (posición alta) o TYPE IV (metal) con esta unidad. Grabe en una cinta TYPE I (normal) y reprodúzcala.
	La cinta no puede grabarse.	<ul style="list-style-type: none"> • Asegúrese de que ha insertado la cinta correctamente. • Asegúrese de que el cassette está provisto de lengüeta de seguridad.
	El sonido es débil o de mala calidad.	<ul style="list-style-type: none"> • Limpie las cabezas, el rodillo compresor y el eje de arrastre (consulte la página 32.) • Desmagnetice las cabezas con un desmagnetizador (consulte la página 32.)
	El sonido se distorsiona.	<ul style="list-style-type: none"> • Está utilizando cintas TYPE II (posición alta) o TYPE IV (metal). Emplee sólo cintas TYPE I (normal).
Temporizador	El temporizador no funciona.	<ul style="list-style-type: none"> • Asegúrese de que el reloj muestra la hora correcta. • Compruebe si se ha producido un corte de suministro de CA. • Compruebe que el visualizador muestra la indicación ☺ (reloj).

El reproductor utiliza un microcomputador incorporado para realizar distintas operaciones. El funcionamiento puede ser inestable algunas veces debido a los cambios de las condiciones de suministro de alimentación. Si después de poner en práctica las soluciones anteriores, el reproductor no funciona correctamente, presione RESET en el compartimiento de pilas con un objeto terminado en punta. Si el problema continúa, póngase en contacto con el proveedor Sony más próximo.

Mantenimiento

Limpieza de la lente

Si la lente se ensucia, pueden producirse pérdidas de sonido durante la reproducción del CD. Límpiela con un soplador disponible en las tiendas del ramo.

Limpieza de las cabezas y la trayectoria de la cinta

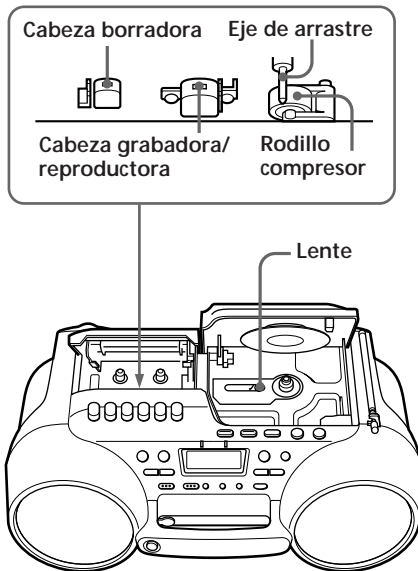
Para obtener una calidad de reproducción y grabación óptima, limpie las cabezas, el rodillo compresor y el eje de arrastre con una escobilla de limpieza ligeramente humedecida en un líquido limpiador o alcohol cada 10 horas de funcionamiento. Sin embargo, para realizar grabaciones con la mayor calidad posible, se recomienda limpiar todas las superficies por las que se desplaza la cinta antes de cada grabación.

Desmagnetización de las cabezas de cinta

Tras 20 a 30 horas de uso, se concentra suficiente cantidad de magnetismo residual en las cabezas de cinta para empezar a causar pérdida de sonido de alta frecuencia y siseo. Llegado este momento, deben desmagnetizarse las cabezas y todos los componentes de metal del recorrido de la cinta con un desmagnetizador de cabezas que podrá adquirir en una tienda del ramo.

Limpieza del exterior

Limpie la caja, el panel y los controles con un paño suave ligeramente humedecido en una solución detergente poco concentrada. No utilice estropajos, detergentes abrasivos ni disolventes como alcohol o bencina.



Una vez realizada la limpieza, inserte una cinta cuando las zonas limpiadas estén completamente secas.

Especificaciones

Sección del reproductor de discos compactos

- Sistema
 - Sistema audiodigital de discos compactos
- Propiedades del diodo láser
 - Material: GaAlAs
 - Longitud de onda: 780 nm
 - Duración de emisión: Continua
 - Salida de láser: Menos de 44,6 μ W
(Esta salida es el valor medido a una distancia de unos 200 mm de la superficie del objetivo del bloque fonocaptor óptico con una apertura de 7 mm)
- Velocidad del eje
 - 200 rev./min. (rpm) a 500 rev./min. (rpm) (CLV)
- Número de canales
 - 2
- Respuesta de frecuencia
 - 20 - 20.000 Hz +0,5/-1 dB
- Fluctuación y trémolo
 - Por debajo del límite medible

Sección de la radio

- Margen de frecuencias
 - FM: 87,6 - 107 MHz
 - AM: 531 - 1.602 kHz
- Antenas
 - FM: Antena telescópica
 - AM: Barra de ferrita incorporada

Sección del deck de cassettes

- Sistema de grabación
 - 4 pistas, 2 canales estéreo
- Tiempo de bobinado rápido
 - 130 s (seg.) aprox. con cassettes Sony C-60
- Respuesta de frecuencia
 - TYPE I (normal): 50 - 13.000 Hz

General

- Altavoz
 - Gama completa : 10 cm. de diám., 3,2ohmios, tipo cónico (2)
- Salidas
 - Toma de auriculares (minitoma estéreo)
Para auriculares de 16-68 ohmios de impedancia
 - Salida máxima de potencia
2,0 W + 2,0 W
- Requisitos de alimentación
 - Para radiocassette con reproductor de discos compactos:
La toma DC IN 9V acepta:
Adaptador de alimentación de CA suministrado (AC-CD980) para su uso con 230 V CA, 50 Hz
El cable de batería de automóvil suministrado (DCC-EC9) para su uso con una batería de 12 V 9 V CC, 6 pilas de R20 (tamaño D)
Para respaldo de memoria:
6 V CC, 4 pilas de R6 (tamaño AA)

Consumo

- CA 18 W
- Duración de las pilas
 - Para radiocassette con reproductor de discos compactos:

Grabación de FM

R20P Sony: 15 h. aprox.

Alcalinas LR20 Sony: 20 h. aprox.

Reproducción de cintas

R20P Sony: 12 h. aprox.

Alcalinas LR20 Sony: 17 h. aprox.

Reproducción de discos compactos

R20P Sony: 4 h. aprox.

Alcalinas LR20 Sony: 6 h. aprox.

Dimensiones

435 \times 163 \times 242 mm. aprox. (an/al/f)
(incluyendo partes salientes)

Peso

3,9kg. aprox. (incluyendo las pilas)

Accesorios suministrados

- Adaptador de alimentación de CA (AC-CD980) (1)
- Cable de batería de automóvil DCC-EC9 (1)
- Fusible de repuesto (1)

El diseño y las especificaciones están sujetos a cambio sin previo aviso.

Accesorios opcionales

Auriculares de la serie MDR Sony

Índice alfabético

A, B

Ajuste del reloj 21

C

Conexión del adaptador de alimentación de CA 25

Creación de su propio programa 16

D

Desmagnetización de las cabezas de cinta 32

E

Emisoras de radio
sintonía 20
memorización 19
Enfasis de audio 27
ESP 18

F

Fuentes de alimentación 25

G, H

Grabación en una cinta 10

I, J, K

Instalación 25

L

Limpieza
exterior 32
lente 32
cabezas y recorrido de cinta 32
Localización de un punto específico de una canción 13

M, N, O

MEGA BASS 27
Mejora de la recepción de emisoras 7
Memorización de emisoras de radiodifusión 19

P, Q

Pilas
para el reproductor 26
para respaldo de memoria 25

R

Radio 6
Reproducción
un CD 4
una cinta 8
emisoras de radio programadas 20
canciones de forma repetida 14
Reproducción programada 15
Reproducción repetida 14
Reproductor de CD 12

S

Selección
énfasis de audio 27
canciones 5
Selección de la fuente de alimentación 25
Solución de problemas 30
SOUND 27

T

Temporizador
Desactivación automática de la unidad 24
Activación automática de la unidad 22

U

Utilización del visualizador 12

V, W, X, Y, Z

Visualizador 12

Free Manuals Download Website

<http://myh66.com>

<http://usermanuals.us>

<http://www.somanuals.com>

<http://www.4manuals.cc>

<http://www.manual-lib.com>

<http://www.404manual.com>

<http://www.luxmanual.com>

<http://aubethermostatmanual.com>

Golf course search by state

<http://golfingnear.com>

Email search by domain

<http://emailbydomain.com>

Auto manuals search

<http://auto.somanuals.com>

TV manuals search

<http://tv.somanuals.com>