

CD Radio Cassette-Corder

Operating Instructions page 2^{GB}

GB

CFD-S20CP

Warning

To prevent fire or shock hazard, do not expose the player to rain or moisture.

To avoid electrical shock, do not open the cabinet. Refer servicing to qualified personnel only.

Warning

Do not install the appliance in a confined space, such as a bookcase or built-in cabinet.

To prevent fire or shock hazard, do not place objects filled with liquids, such as vases, on the appliance.

Table of contents

Basic Operations

Playing an audio CD or MP3 files	4
Listening to the radio	8
Playing a tape	10
Recording on a tape	12

The CD Player

Using the display	14
Locating a specific track	15
Playing tracks repeatedly (Repeat Play)	16
Playing tracks in random order (Shuffle Play)	17
Creating your own programme (Programme Play)	17

The Radio

Presetting radio stations	19
Playing preset radio stations	20

The Audio Emphasis

Adjusting the sound emphasis	21
------------------------------------	----

The Timer

Falling asleep to music	22
-------------------------------	----

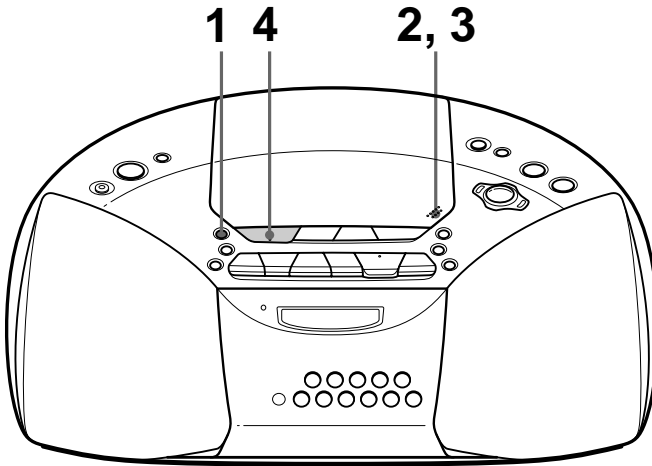
Setting Up

Choosing the power sources	23
----------------------------------	----

Additional Information

Precautions	25
Troubleshooting	27
Maintenance	29
Specifications	30
About "MP3"	31
Index	33

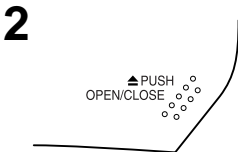
Playing an audio CD or MP3 files



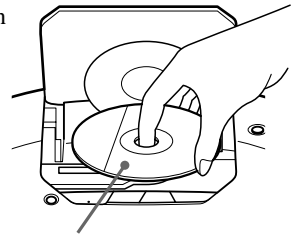
Connect the supplied mains lead (see page 23).



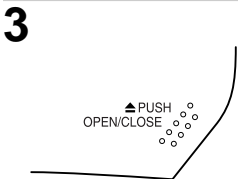
Press CD.



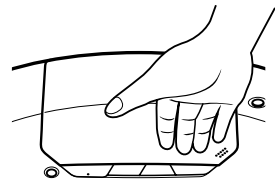
Press ▲ PUSH OPEN/CLOSE down to open the CD compartment and place the CD on the CD compartment.



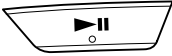
With the label side up



Close the lid of the CD compartment.

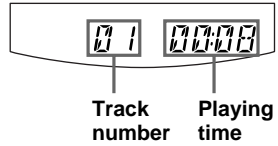


4

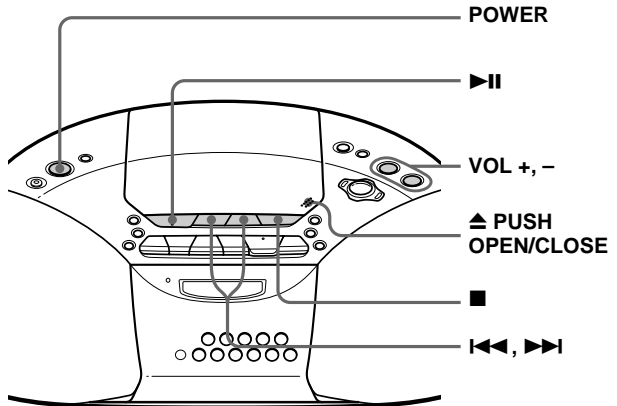


Press ►|| (► on the remote).
 The player plays all the tracks once.
 To play a CD with MP3 files, see page 6.

Display



Use these buttons for additional operations



Tip

Playback starts from the track you last stopped playing (Resume play). During stop, the track number to be played are displayed.
 To cancel the resume play to start play from the beginning of the first track, press ■ in stop mode.

To	Press
adjust the volume	VOL +*, -
stop playback	■
pause playback	► * (on the remote) Press the button again to resume play after pause.
go to the next track	►►
go back to the previous track	◄◄
remove the CD**	▲ PUSH OPEN/CLOSE
turn on/off the player	POWER

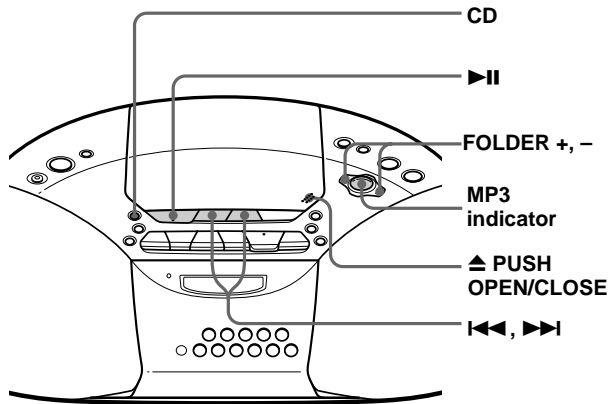
* The button has a tactile dot.

** Once you open the CD compartment, the track to start play will change to the beginning of the first track.

continued

Playing an audio CD or MP3 files (continued)

Playing a CD with MP3 files



Note

Before playing a file, this player reads all file and folder information on the CD. Depending on the file structure, it may take more than a minute to read them. During this time, “Reading” is displayed.

Tip

You can use the buttons mentioned in the table on page 5 for additional operations in the same way as when playing an audio CD.

1 Press CD.

2 Press ▲ PUSH OPEN/CLOSE to open the CD compartment and place the CD on the CD compartment (see page 4) .

3 Close the lid of the CD compartment.

4 Press ▶||.

The player plays all MP3 files on the CD.

When you play a CD with MP3 files, the MP3 indicator lights up.



Track number

After the file name is displayed, the playing time will appear

To select a folder

Press FOLDER + to go forward and FOLDER - to go backward (press FLDR + or FLDR - on the remote).

To select a file

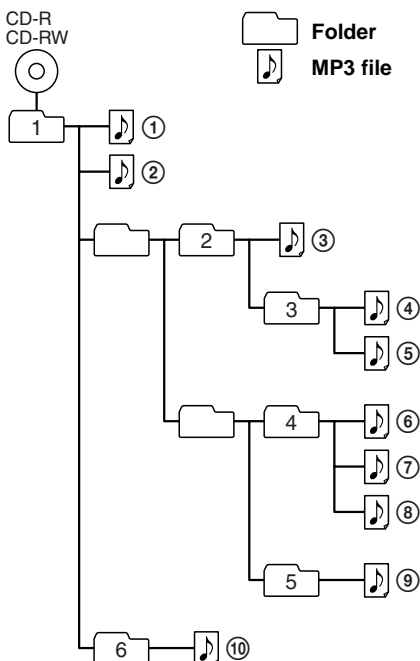
Press ▶|| to go forward and ◀◀ to go backward.

Notes

- A folder that does not include an MP3 file is skipped.
- Maximum number of folders: 255
Maximum number of files: 255
- Folder names and file names can be displayed with up to 64 characters.
- The characters A - Z, a - z, 0 - 9, and _ can be displayed on this player. Other characters are displayed as “*”.
- This player conforms to Version 1.1 of the ID3 tag format. If the file has the ID3 tag information, “song title”, “artist name” and “album name” can be displayed.

Example of folder structure and playing order

The playing order of the folders and files is as follows:

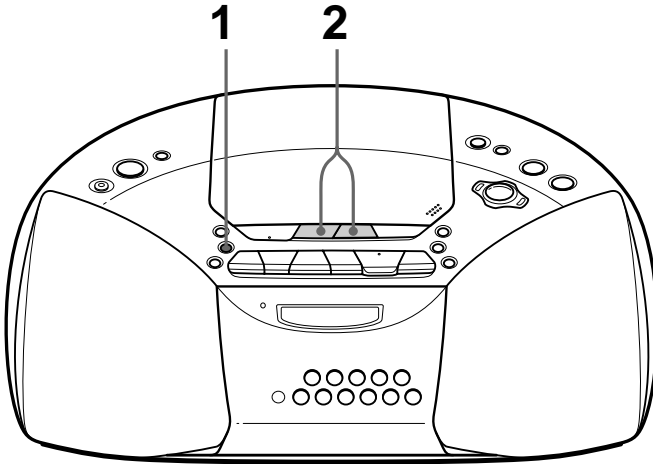


About CD-Rs/CD-RWs and MP3 files

This player can play CD-Rs/CD-RWs recorded in the CD-DA format* and MP3 files recorded in the CD-ROM format, but playback capability may vary depending on the quality of the disc and the condition of the recording device.

* CD-DA is the abbreviation for Compact Disc Digital Audio. It is a recording standard used for Audio CDs.

Listening to the radio



Connect the supplied mains lead (see page 23).

1

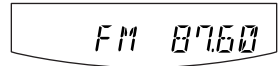
RADIO BAND
AUTO PRESET

Press RADIO BAND•AUTO PRESET until the band you want appears in the display.

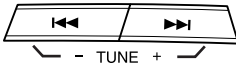
Each time you press the button, the band changes as follows:

“FM” → “MW” → “LW”

Display



2

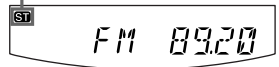


Hold down TUNE + or – until the frequency digits begin to change in the display.

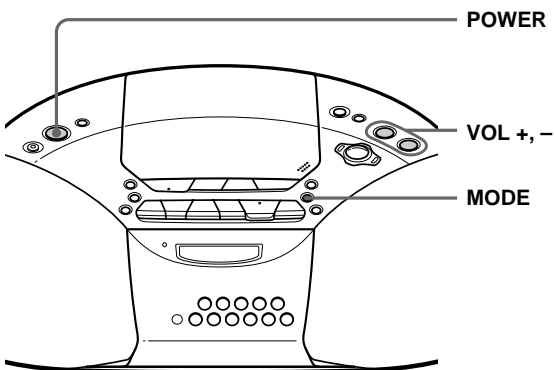
The player automatically scans the radio frequencies and stops when it finds a clear station.

If you can't tune in a station, press TUNE + or – repeatedly to change the frequency step by step.

Indicates an FM stereo broadcast



Use these buttons for additional operations



Tips

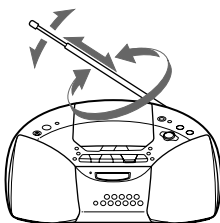
- If the FM broadcast is noisy, press MODE until “Mono” appears in the display and radio will play in monaural.
- If you need to change the MW tuning interval, see page 23.

To	Press
adjust the volume	VOL +*, -
turn on/off the radio	POWER

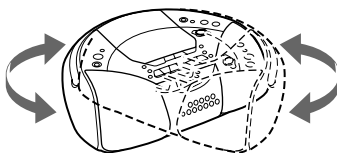
*VOL + has a tactile dot.

To improve broadcast reception

Reorient the aerial for FM. Reorient the player itself for MW/LW.

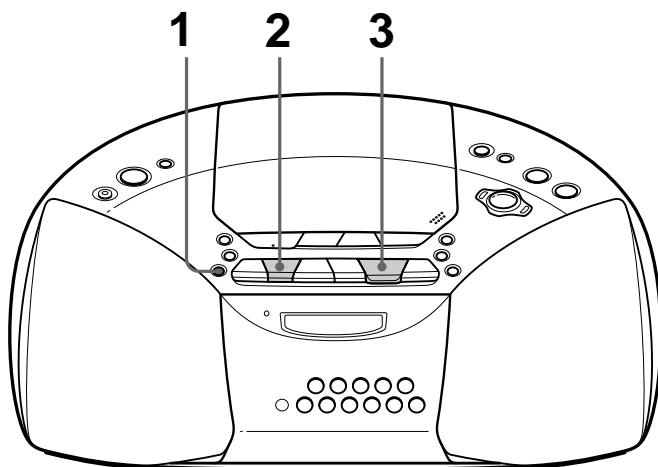


for FM



for MW/LW

Playing a tape




Connect the supplied mains lead (see page 23).

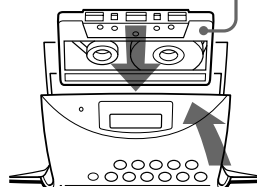



Press TAPE.



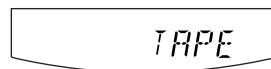
Press  to open the tape compartment and insert a recorded tape. Use TYPE I (normal) tape only. Close the compartment.

With the side you want to play facing you

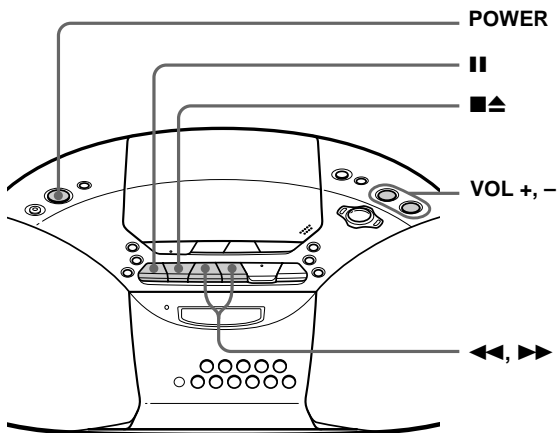


Press .
The player starts playing.

Display



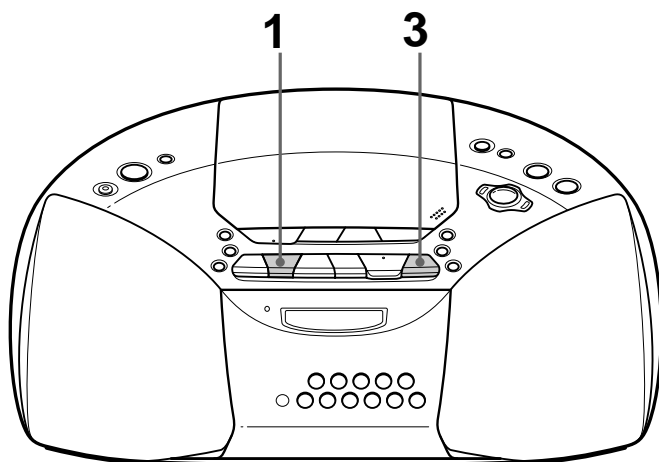
Use these buttons for additional operations



To	Press
adjust the volume	VOL +*, -
stop playback	■▲
fast-forward or rewind	◀◀ or ▶▶
pause playback	II Press the button again to resume play after pause.
eject the cassette	■▲
turn on/off the player	POWER

*VOL + and ◀ has a tactile dot.



Recording on a tape



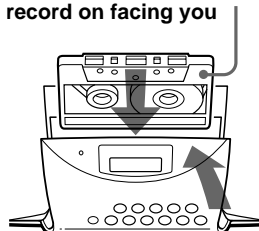
Connect the supplied mains lead (see page 23).

1



Press   to open the tape compartment and insert a blank tape. Use TYPE I (normal) tape only. Close the compartment.

With the side you want to record on facing you



2



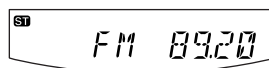
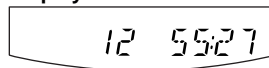
Select the programme source you want to record.

To record from the CD player, insert a CD (see page 4) and press CD.

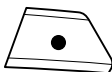


To record from the radio, tune in the station you want (see page 8).

Display

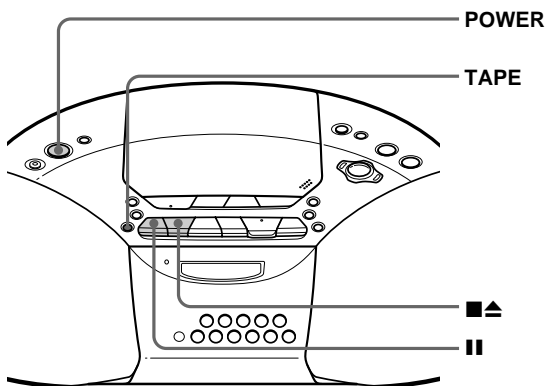


3



Press ● to start recording
(◀ is depressed automatically).

Use these buttons for additional operations



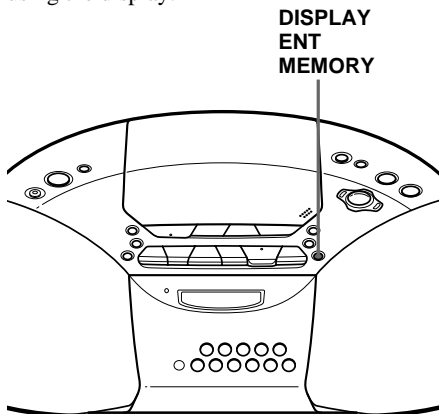
Tips

- Adjusting the volume or the audio emphasis (see page 21) will not affect the recording level.
- If the MW/LW programme makes a whistling sound after you've pressed ● in step 3, press MODE to select the position of ISS (Interference Suppress Switch) that most decreases the noise.
- For the best results, use the mains as a power source.
- To erase a recording, proceed as follows:
 - 1 Insert the tape whose recording you want to erase.
 - 2 Press TAPE.
 - 3 Press ●.

To	Press
stop recording	■▲
pause recording	 Press the button again to resume recording.
turn on/off the player	POWER

Using the display

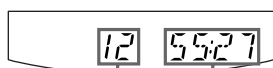
You can check information about the CD using the display.



Checking the information of an audio CD

To check the total track number and playing time of the CD

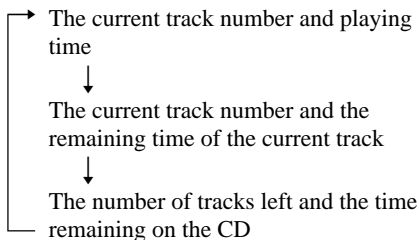
While the CD is stopped, you can check them in the display.



Total track number
Total playing time

To check the remaining time

Press DISPLAY•ENT•MEMORY while playing a CD. The display changes as follows:



Checking the information of a CD with MP3 files

To check the total folder number and total track number on the CD

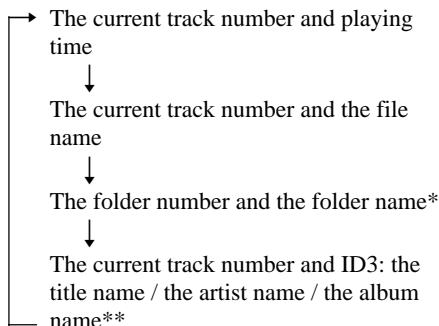
While the CD is stopped, you can check them in the display.



Total folder number
Total track number

To check file information

Press DISPLAY•ENT•MEMORY while playing an MP3 file. The display changes as follows:



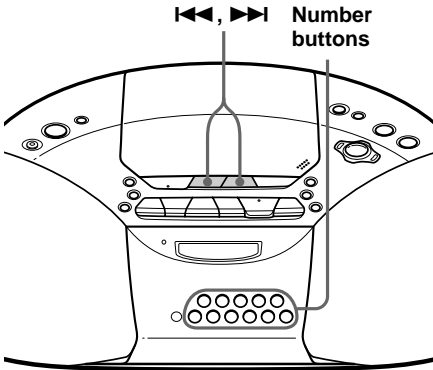
* If the folder does not have a folder name, "Root" appears instead of a folder name.

** If the file does not have ID3 information, "No Title", "No Artist" or "No Album" appears in the display.

Locating a specific track

You can quickly locate any track on a CD using the number buttons.

You can also find a specific point in a track while playing a CD.



Tips

- When you locate a track numbered over 10, press >10 first, then the corresponding number buttons.
Example: To play track number 23, press >10 first, then 2 and 3.
- To select a track numbered over 100 or more, press >10 twice, then the corresponding number buttons.

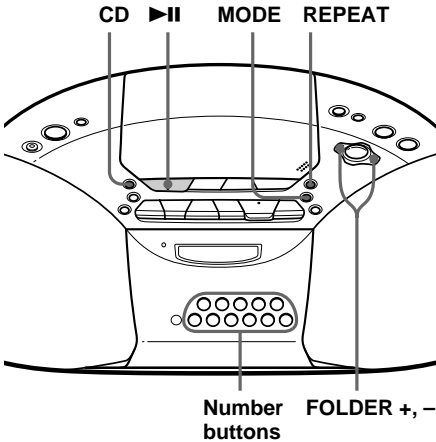
To locate	Press
a specific track directly	the number button of the track
a point while listening to the sound	▶▶ (forward) or ◀◀ (backward) while playing and hold it until you find the point
a point while observing the display	▶▶ (forward) or ◀◀ (backward) in pause and hold it until you find the point

Notes

- Locating a specific track using the number buttons is only available for the tracks in the selected folder.
- You cannot locate a specific track if "SHUF" or "PGM" is lit in the display. Turn off the indication by pressing ■.

Playing tracks repeatedly (Repeat Play)

You can play tracks repeatedly in normal, shuffle or programme play modes.



1 Press CD.
“CD” appears in the display.

2 Proceed as follows.

To repeat	Do this
a single track	<ol style="list-style-type: none"> 1 Press REPEAT until “REP 1” appears. 2 Press the number button for the track you want to repeat.
all tracks on the CD	<ol style="list-style-type: none"> 1 Press REPEAT until “REP ALL” appears. 2 Press ▶ .
a selected folder (MP3 CD only)	<ol style="list-style-type: none"> 1 Press REPEAT until “REP FLDR” appears. 2 Select the folder by pressing FOLDER + or FOLDER -, then press ▶ .
tracks in random order	<ol style="list-style-type: none"> 1 Start Shuffle Play (see page 17). 2 Press REPEAT until “SHUF REP” appears.

To repeat	Do this
programmed tracks	<ol style="list-style-type: none"> 1 Programme tracks (see step 3 on page 18). 2 Press REPEAT until “PGM REP” appears. 3 Press ▶ .
programmed folders	<ol style="list-style-type: none"> 1 Programme folders (see step 3 on page 18). 2 Press REPEAT until “FLDR PGM REP” appears. 3 Press ▶ .

To cancel Repeat Play

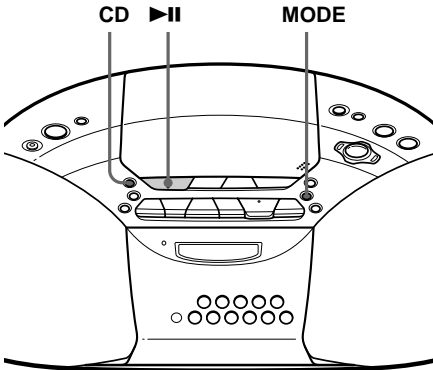
Press REPEAT until “REP” disappears from the display.

When playing MP3 files

When you select “REP ALL”, the player plays all files (up to 255 files) of a CD repeatedly.

Playing tracks in random order (Shuffle Play)

You can play tracks in random order.



- 1 Press CD.
“CD” appears in the display.
- 2 Press MODE until “SHUF” appears in the display.
- 3 Press ▶|| to start Shuffle Play.

To cancel Shuffle Play

Stop playing first. Then press MODE until “SHUF” disappears from the display.

When playing MP3 files

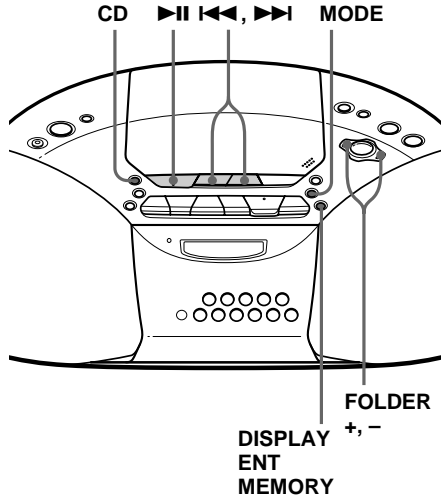
The player plays all files (up to 255 files) on a CD in random order.

Tips

- During Shuffle Play, you cannot select the previous track by pressing ◀◀.
- The resume function doesn't work during Shuffle Play.

Creating your own programme (Programme Play)

You can arrange the playing order of up to 20 tracks or files on a CD. When playing an MP3 files, you can also programme up to 20 folders (Programme Folder Play).



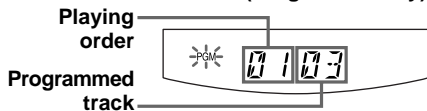
- 1 Press CD.
“CD” appears in the display.
- 2 Press MODE until “PGM” appears in the display.
When you select Programme Folder Play (MP3 CD only), press MODE until “PGM FLDR” appears in the display.

continued

Creating your own programme (Programme Play) (continued)

- 3 Press ◀◀ or ▶▶, FOLDER + or - then press DISPLAY•ENT•MEMORY for the tracks or files* you want to programme in the order you want.
*folders for Programme Folder Play.

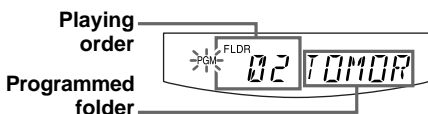
Audio CD (Programme Play)



MP3 CD (Programme Play)



MP3 CD (Programme Folder Play)



- 4 Press ▶|| to start Programme Play.

To cancel Programme Play

Stop playing first. Then press MODE until "PGM" disappears from the display.

To check the order of tracks before play

Press DISPLAY•ENT•MEMORY.

Every time you press the button, the track or folder number appears in the programmed order.

To change the current programme

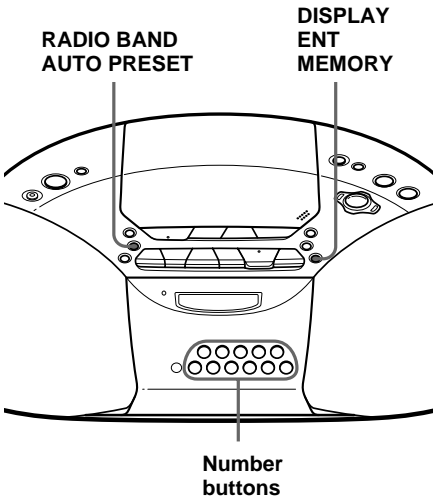
Press ■ once if the CD is stopped and twice if the CD is playing. The current programme will be erased. Then create a new programme following the programming procedure.

Tips

- You can play the same programme again, since the programme is saved until you open the CD compartment.
- You can record your own programme. After you've created the programme, insert a blank tape and press ● to start recording.
- The resume function doesn't work during Programme Play.

Presetting radio stations

You can store radio stations into the player's memory. You can preset up to 40 radio stations, 20 for FM and 10 for MW and LW in any order.



If a station cannot be preset automatically

You need to preset a station with a weak signal manually.

- 1 Press RADIO BAND•AUTO PRESET to select the band.
- 2 Tune in a station you want.
- 3 Hold down the number buttons that you want to preset the new station on for about 2 seconds.

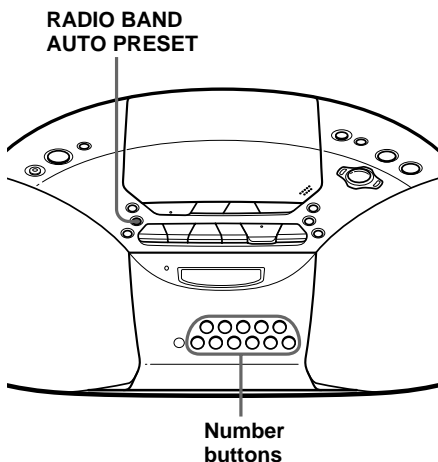
To select the preset number over 10, press >10 first, then the corresponding number buttons.

You need to hold down the last number button to enter for about 2 seconds. (Example: To select 12, press >10 and 1 first, then hold down 2 for about 2 seconds.)

- 1 Press RADIO BAND•AUTO PRESET to select the band.
- 2 Hold down RADIO BAND•AUTO PRESET until "AUTO" flashes in the display.
- 3 Press DISPLAY•ENT•MEMORY. The stations are stored in memory from the lower frequencies to the higher ones.

Playing preset radio stations

Once you've preset the stations, use the number buttons to tune in your favourite stations.



1 Press RADIO BAND•AUTO PRESET to select the band.

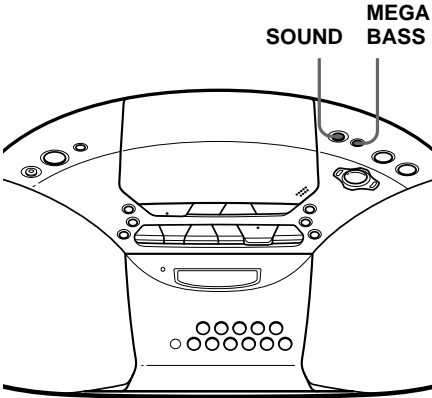
2 Press the number buttons to tune in the stored station.

To tune in a preset station over 10, press >10 first, then corresponding number buttons.

(Example: To tune in a preset station 12, press >10 and 1 first, and then press 2.)

Adjusting the sound emphasis

You can adjust the audio emphasis of the sound you are listening to.



Selecting the sound characteristic

Press SOUND repeatedly to select the audio emphasis you want.

Choose	To get
	powerful, clean sounds, emphasizing low and high range audio
	light, bright sounds emphasizing high and middle range audio
	percussive sounds, emphasizing bass audio
	the presence of vocals, stressing middle range audio
	the whole dynamic range for music such as classical music

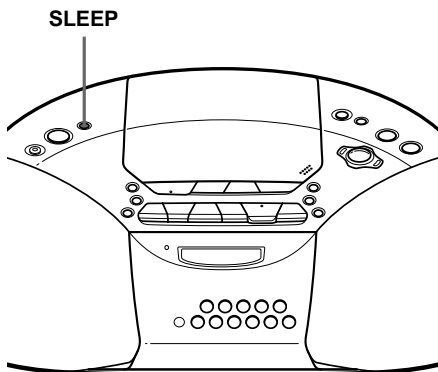
Reinforcing the bass sound

Press MEGA BASS to display “MEGA BASS”.

To return to normal sound, press the button again.

Falling asleep to music

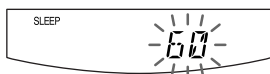
You can set the player to turn off automatically after 10, 20, 30, 60, 90 and 120 minutes, allowing you to fall asleep while listening to music.



Note

When you are playing a tape using this function: If the tape length of one side is longer than the set time, the player will not go off until the tape reaches the end.

- 1 Play the music source you want.
- 2 Press SLEEP to display "SLEEP."
- 3 Press SLEEP to select the minutes until the player goes off automatically. Each time you press the button, the indication changes as follows:
"60" → "90" → "120" → "OFF" →
"10" → "20" → "30".



If 4 seconds have passed after you pressed SLEEP, the minutes in the display are entered.

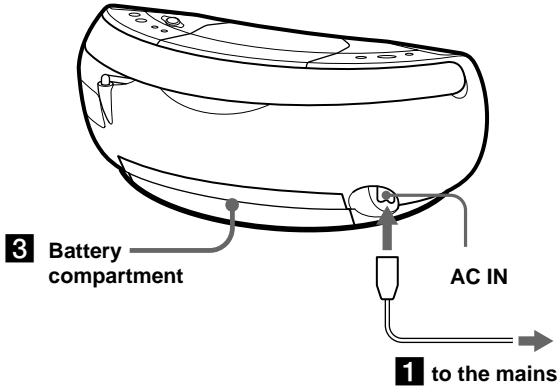
When the preset time has passed, the player goes off automatically.

To cancel the sleep function

Press POWER to turn off the power.

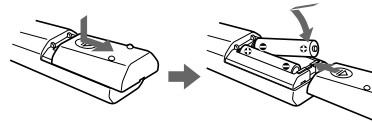
Choosing the power sources

You can use the mains or batteries as a power source.



- 1** Connecting the mains lead
Insert one end of the supplied mains lead to the AC IN socket located at the rear of the player, and the other end to the mains.

- 2** Preparing the remote
Insert two R6 (size AA) batteries (not supplied).



Changing the MW tuning interval

If you need to change the MW tuning interval, do the following:

- 1** Press RADIO BAND•AUTO PRESET until “MW” is displayed.
- 2** Press DISPLAY•ENT•MEMORY for 2 seconds.
- 3** Press RADIO BAND•AUTO PRESET for 2 seconds.
“MW 9” or “MW 10” flashes.
- 4** Press TUNE + or – to select “MW 9” for 9 kHz interval or “MW 10” for 10 kHz interval.
- 5** Press DISPLAY•ENT•MEMORY.

After changing the tuning interval, you need to reset your preset MW radio stations.

Replacing batteries

With normal use, the batteries should last for about six months. When the remote no longer operates the player, replace all the batteries with new ones.

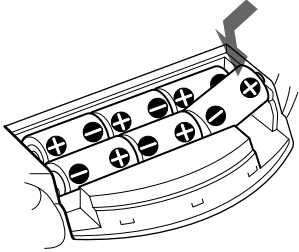
continued

Choosing the power sources (continued)

3 Using the player on batteries

Insert six R20 (size D) batteries (not supplied) into the battery compartment.

To use the player on batteries, disconnect the mains lead from the player.



Replacing batteries

Replace the batteries when the OPR/BATT indicator dims or when the player stops operating. Replace all the batteries with new ones.

Notes

- Before you replace the batteries, be sure to take out the CD from the player.
- When you operate the player with the batteries, you cannot turn on the player with the remote.

Precautions

On safety

- As the laser beam used in the CD player section is harmful to the eyes, do not attempt to disassemble the casing. Refer servicing to qualified personnel only.
- Should any solid object or liquid fall into the player, unplug the player, and have it checked by qualified personnel before operating it any further.
- Discs with non-standard shapes (e.g., heart, square, star) cannot be played on this player. Attempting to do so may damage the player. Do not use such discs.

On power sources

- For AC operation, check that the player's operating voltage is identical with your local power supply (see "Specifications") and use the supplied mains lead; do not use any other type.
- The player is not disconnected from the AC power source (mains) as long as it is connected to the wall outlet, even if the player itself has been turned off.
- For battery operation, use six R20 (size D) batteries.
- When the batteries are not to be used, remove them to avoid damage that can be caused by battery leakage or corrosion.
- The nameplate indicating operating voltage, power consumption, etc. is located at the bottom.

On placement

- Do not leave the player in a location near heat sources, or in a place subject to direct sunlight, excessive dust or mechanical shock.
- Do not place the player on an inclined or unstable place.
- Do not place anything within 10 mm of the side of the cabinet. The ventilation holes must be unobstructed for the player to operate properly and prolong the life of its components.

- If the player is left in a car parked in the sun, be sure to choose a location in the car where the player will not be subjected to the direct rays of the sun.
- Since a strong magnet is used for the speakers, keep personal credit cards using magnetic coding or spring-wound watches away from the player to prevent possible damage from the magnet.

On operation

- If the player is brought directly from a cold to a warm location, or is placed in a very damp room, moisture may condense on the lens inside the CD player section. Should this occur, the player will not operate properly. In this case, remove the CD and wait about an hour for the moisture to evaporate.
- If the player has not been used for a long time, set it in the playback mode to warm it up for a few minutes before inserting a cassette.

If you have any questions or problems concerning your player, please consult your nearest Sony dealer.

continued

Precautions (continued)

Notes on CDs

- Before playing, clean the CD with a cleaning cloth. Wipe the CD from the center out.

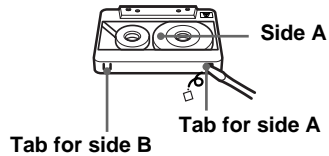


- Do not use solvents such as benzene, thinner, commercially available cleaners or anti-static spray intended for vinyl LPs.
- Do not expose the CD to direct sunlight or heat sources such as hot air ducts, nor leave it in a car parked in direct sunlight as there can be a considerable rise in temperature inside the car.
- Do not stick paper or sticker on the CD, nor scratch the surface of the CD.
- After playing, store the CD in its case.

If there is a scratch, dirt or fingerprints on the CD, it may cause tracking error.

Notes on cassettes

- Break off the cassette tab from side A or B to prevent accidental recording. If you want to reuse the tape for recording, cover the broken tab with adhesive tape.



- The use of a cassette with more than 90 minutes of play time is not recommended except for long, continuous recording or playback.

Troubleshooting

General

The power is not on.

- Connect the mains lead to the mains securely.
- Make sure the batteries are inserted correctly.
- You cannot turn on the player with the remote when you operate the player on batteries.

The power is not on, and "BATT" and "ERROR" are displayed alternately.

- Make sure the batteries are inserted correctly.
- Replace all the batteries with new ones if they are weak.

There is no audio.

- Adjust the volume.
- Unplug the headphones when listening through speakers.

Noise is heard.

- Someone is using a portable telephone or other equipment that emits radio waves near the player. → Move the portable telephone, etc., away from the player.

CD Player

"no DISC" is displayed even when a CD is in place.

- Insert the CD with the label surface up.
- The CD-R/CD-RW is blank.
- The CD-R/CD-RW was not finalized. Finalize the CD-R/CD-RW with the recording device.
- There is a problem with the quality of the CD-R/CD-RW, recording device or application software.

The CD does not play.

- Make sure that the CD compartment is closed.
- Place the CD with the label surface up.
- Clean the CD.
- Take out the CD and leave the CD compartment open for about an hour to dry moisture condensation.
- Make sure "CD" appears in the display.

The sound drops out.

- Reduce the volume.
- Clean the CD, or replace it if the CD is badly damaged.
- Place the player in a location free from vibration.
- The sound may drop out or noise may be heard when using poor quality CD-Rs/CD-RWs or if there is a problem with the recording device or application software.

"NOT MP3" is displayed.

- You are trying to play a file that is not an MP3 file but has extension "mp3". (page 31)

"NOT MP3" and "LAYER 1", or "NOT MP3" and "LAYER 2" are displayed alternately.

- You are trying to play an MPEG1 Audio Layer-1 or 2 file. You can only play MP3 (MPEG 1 Audio Layer-3) files on this player. (page 31)

"no MP3" is displayed.

- There are no MP3 files on the disc.

Radio

The audio is weak or has poor quality.

- Replace all the batteries with new ones if they are weak.
- Move the player away from the TV.
- If you are using the remote while listening to MW/LW radio, noise may be heard.

The picture of your TV becomes unstable.

- If you are listening to an FM programme near the TV with an indoor aerial, move the player away from the TV.

continued

Troubleshooting (continued)

Tape Player

The tape does not move when you press an operation button.

- Close the cassette compartment securely.

The REC ● button does not function or the tape does not play or record.

- Make sure the safety tab on the cassette is in place.

The tape does not erase completely.

- Clean the erasing head (see page 29).
- Replace all the batteries with new ones if they are weak.
- The source which was recorded on TYPE II (high position) or TYPE IV (metal) tape using this unit is being played. Record on TYPE I (normal) tape and play.

The tape does not record.

- Make sure the tape is inserted properly.
- Make sure the safety tab of the cassette is in place.

The audio is weak/The audio quality is poor.

- Clean the heads, pinch roller and capstan (see page 29).
- Demagnetize the heads using a demagnetizer (see page 29).

The sound is distorted.

- The TYPE II (high position) or TYPE IV (metal) tape is being used. Use TYPE I (normal) tape only.
-

Remote

The remote does not function.

- Replace all the batteries in the remote with new ones if they are weak.
 - Make sure that you are pointing the remote at the remote sensor on the player.
 - Remove any obstacles in the path of the remote and the player.
 - Make sure the remote sensor is not exposed to strong light such as direct sunlight or fluorescent lamp light.
 - Move closer to the player when using the remote.
-

After trying the above remedies, if you still have problems, unplug the mains lead and remove all the batteries. After all the indications in the display disappear, plug the mains lead and insert the batteries again. If the problem persists, please consult your nearest Sony dealer.

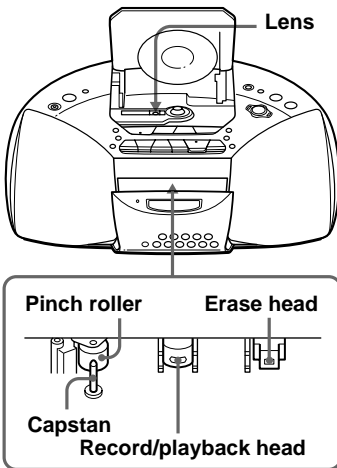
Maintenance

Cleaning the lens

If the lens becomes dirty, it may cause a skipping of sound during CD operation. Clean with a commercially available blower.

Cleaning the tape heads and tape path

Wipe the heads, the pinch roller and the capstan with a cleaning swab slightly moistened with cleaning fluid or alcohol after every 10 hours of operation for optimum playback and recording quality. To make the best possible recording, however, we recommend that you clean all surfaces over which tape travels before each recording.



After cleaning, insert a tape when the areas cleaned are completely dry.

Demagnetizing the tape heads

After 20 to 30 hours of use, enough residual magnetism will have built up on the tape heads to begin to cause loss of high frequency sound and hiss. At this time, you should demagnetize the heads and all metal parts in the tape path with a commercially available tape head demagnetizer.

Cleaning the cabinet

Clean the cabinet, panel and controls with a soft cloth slightly moistened with a mild detergent solution. Do not use any type of abrasive pad, scouring powder, or solvent, such as alcohol or benzene.

Specifications

CD player section

System

Compact disc digital audio system

Laser diode properties

Material: GaAlAs

Wave length: 780 nm

Emission duration: Continuous

Laser output: Less than 44.6 μ W

(This output is the value measured at a distance of about 200 mm from the objective lens surface on the optical pick-up block with 7 mm aperture.)

Spindle speed

200 r/min (rpm) to 500 r/min (rpm) (CLV)

Number of channels

2

Frequency response

20 - 20 000 Hz +1/-2 dB

Wow and flutter

Below measurable limit

Radio section

Frequency range

FM: 87.5 - 108 MHz

MW: 531 - 1 611 kHz (9 kHz step)
530 - 1 610 kHz (10 kHz step)

LW: 153 - 279 kHz

IF

FM: 10.7 MHz

MW/LW: 450 kHz

Antennas

FM: Telescopic aerial

MW/LW: Built-in ferrite bar aerial

Cassette-corder section

Recording system

4-track 2 channel stereo

Fast winding time

Approx. 120 s (sec.) with Sony cassette C-60

Frequency response

TYPE I (normal): 80 - 10 000 Hz

General

Speaker

Full range: 10 cm (4 in.) dia.,
3.2 Ω , cone type (2)

Outputs

Headphones jack (stereo minijack)

For 16 - 68 Ω impedance headphones

Maximum power output

4.6 W

Power requirements

For CD radio cassette-corder:

220 - 240 V AC, 50/60 Hz

9 V DC, 6 R20 (size D) batteries

For remote control:

3 V DC, 2 R6 (size AA) batteries

Power consumption

AC 20 W

Battery life

For CD radio cassette-corder:

FM recording

Sony R20P: approx. 13.5 h

Sony alkaline LR20: approx. 20 h

Tape playback

Sony R20P: approx. 7.5 h

Sony alkaline LR20: approx. 15 h

CD playback

Sony R20P: approx. 2.5 h

Sony alkaline LR20: approx. 7 h

Dimensions

Approx. 386 \times 166 \times 252 mm (w/h/d)

(15 $\frac{1}{4}$ \times 6 $\frac{5}{8}$ \times 10 inches) (incl. projecting parts)

Mass

Approx. 3.3 kg (7 lb. 4 oz) (incl. batteries)

Supplied accessories

Mains lead (1)

Remote control (1)

Design and specifications are subject to change without notice.

Optional accessories

Sony MDR headphones series

About “MP3”

What is the MP3?

MP3 (MPEG 1 Audio Layer-3) is a standard technology and format for compressing a sound sequence. The file is compressed to about 1/10 of its original size. Sounds outside the range of human hearing are compressed while the sounds we can hear are not compressed.

Playable “MP3” files on this player

You can only play MP3 files recorded by following requirements.

USABLE MEDIA

CD-Rs and CD-RWs

USABLE DISC FORMAT

You can use ISO 9660 Level 1, Level 2 and Joliet extension format discs. In some cases, MP3 files that are recorded in a format other than these formats may not play normally or the file and folder names may not be displayed correctly.

The major specifications of the usable disc format are as follows:

- Maximum directory steps: 8
- Usable characters for a file/folder name: A - Z, a - z, 0 - 9, _ (underscore)
- Maximum number of characters for a file name: 64 including quotation marks and a 3-character extension code

Notes

- When naming, be sure to add the file extension “mp3” to the file name.
- If you put the extension “mp3” to a file other than an MP3 file, the player cannot recognize the file properly and will generate random noise that could damage your speakers.
- The file name does not correspond to the ID tag.

THE USABLE NUMBER OF FOLDERS/FILES

- Maximum folder number: 255
- Maximum file number: 255

SETTINGS FOR COMPRESSION SOFTWARE AND WRITING SOFTWARE

- To compress a source for an MP3 file, we recommend setting the transfer bit rate of the compression software to “44.1 kHz”, “128kbps”, and “Constant Bit Rate”.
- To record up to the maximum capacity, set to the “halting of writing”.
- To record at one time up to the maximum capacity on media that has nothing recorded it, set to “Disc at Once”.

NOTES FOR SAVING FILES ON THE MEDIA

When the disc is inserted, the player reads all the files on that disc. If there are many folders or non-MP3 files on the disc, it may take a long time for play to begin or for the next MP3 file to start play.

Do not save unnecessary folders or files other than MP3 ones in the disc to be used for MP3 listening.

We recommend that you do not save other types files or unnecessary folders on a disc that has MP3 files.

continued

About "MP3" (continued)

About "ID3 tag"

ID3 tag is a format for adding certain information (song title, artist name, album name, etc.) to MP3 files.

This player conforms to Version 1.1 of the ID3 tag format. If the file has the ID3 tag information, "song title", "artist name" and "album name" can be displayed.

Note

If you use a version other than 1.1, ID3 tag information will not be displayed correctly.

Index

A

Audio emphasis 21

B

Batteries

- for player 24
- for remote 23

C

CD player 4

Choosing power sources 23

Cleaning

- cabinet 29
- lens 29
- tape heads and tape path 29

Connecting mains lead 23

Creating your own programme 17

D, E, F, G, H

Demagnetizing the tape heads 29

Display 14

I, J, K

ID3 tag 14, 32

Improving broadcast reception 9

L

Listening to the radio 8

Locating a specific track 15

M, N, O

Maintenance 29

MEGA BASS 21

MP3

- about MP3 31
- display 14
- playing order 7

P, Q

Playing

- a CD 4
- a tape 10
- preset radio stations 19
- tracks in random order 17
- tracks repeatedly 16

Power sources 23

Precautions 25

Presetting radio stations 19

Programme Play 17

R

Radio stations

- playing 20
- presetting 19

Repeat Play 16

S

Selecting

- audio emphasis 21
- tracks 5

Setting up 23

Shuffle Play 17

SOUND 21

Specifications 30

T

Timer

- falling asleep to music 22

Troubleshooting 27

U, V, W, X, Y, Z

Using the display 14

- إختبار مصادر الطاقة ٢٣
- انشاء برنامجك الخاص ١٧
- إزالة المغنطة عن رؤوس الشريط ٢٩
- الإستماع للراديو ٨
- إختبار
- المؤثر الصوتي ٢١
- المسارات ٥
- إستخدام شاشة العرض ١٤

- البطاريات
- للجهاز ٢٤
- لوحة التحكم عن بعد ٢٣
- البطاقة ID3 ١٤، ٣٢

- التنظيف
- صندوق الجهاز ٢٩
- العدسة ٢٩
- رؤوس الشريط ومسار الشريط ٢٩
- توصيل السلك الرئيس للتيار المتردد ٢٣
- تحسين إستقبال البث ٩
- تحديد مسار معين ١٥
- تجري الخلل واصلاحه ٢٧
- التشغيل:

- الأسطوانة المدمجة ٤
- الشريط ١٠
- محطات الراديو التي تم ضبطها مسبقاً ١٩
- المسارات بترتيب عشوائي ١٧
- المسارات بصورة متكررة ١٦
- التدابير الوقائية ٢٥
- تشغيل البرنامج ١٧
- التشغيل المتكرر ١٦
- التهيئة ٢٣
- التشغيل العشوائي ١٧

- شاشة العرض ١٤

- الصيانة ٢٩
- الصوت العميق MEGA BASS ٢١
- الصوت SOUND ٢١

- الضبط المسبق لمحطات الراديو ١٩

- المؤثر الصوتي ٢١
- مشغل الأسطوانة المدمجة ٤
- المؤقت
- النوم على أنغام الموسيقى ٢٢
- ملفات MP3
- حول ملفات MP3 ٣١
- العرض بالشاشة ١٤
- ترتيب التشغيل ٧
- مصادر الطاقة ٢٣
- محطات الراديو
- التشغيل ٢٠
- الضبط المسبق ١٩
- المواصفات ٣٠

حول «بطاقة ID3»

بطاقة ID3 هي نوع صيغة لإضافة معلومات معينة مثل (إسم الأغنية) وإسم المغني، وإسم الألبوم، وغيرها) لل ملفات MP3. هذا الجهاز يتطابق مع النسخة 1.1 لصيغة البطاقة ID3 . يمكن عرض «إسم الأغنية» و«إسم الفنان» و«إسم الألبوم» على الشاشة، إذا كان الملف يحتوي على معلومات البطاقة ID3.

ملاحظة

إذا كنت تستعمل نسخة غير النسخة 1.1 سوف لن يتم عرض معلومات البطاقة ID3 بصورة صحيحة.

العدد الذي يمكن استخدامه من الحافظات والملفات

- أقصى عدد من الحافظات: ٢٥٥
- أقصى عدد من الملفات: ٢٥٥

التهيئة لبرمجيات الضغط وبرمجيات الكتابة

- لكي تقوم بضغط المادة الصوتية من المصدر لملف من النوع MP3، فإننا ننصحك بضبط معدل النقل لبرمجيات الضغط على المستوى «١» ٤٤ كيلو هيرتز، «١٢٨ kbps»، و"Constant Bit Rate".
- لكي تقوم بالتسجيل لأقصى سعة ممكنة لضبط المستوى "halting of writing".
- لكي تسجل في مرة واحدة حتى أقصى سعة على الوسائط الخالية من المواد المسجلة، لضبط على المستوى "Disc at Once".

ملحوظات لحفظ الملفات على وسائط التسجيل

- عندما يتم إدخال الأسطوانة، يقوم الجهاز بقراءة كل الملفات على الأسطوانة. وإذا كانت هناك حافظات كثيرة أو ملفات ليست من النوع MP3 بالأسطوانة، قد يحتاج التشغيل لزمن طويل قبل أن يبدأ، كما يحتاج الملف التالي من النوع MP3 لزمن قبل أن يبدأ تشغيله.
- لا تعند إلى حفظ مجلدات أو ملفات غير ضرورية غير الحافظات أو الملفات من النوع MP3 في الاسطوانة التي تستعمل للاستماع إلى ملف MP3.
- إننا ننصحك بعدم حفظ الأنواع الأخرى من الملفات أو الحافظات الغير ضرورية بالأسطوانة التي تحتوي على ملفات MP3.

بيع

حول ملفات "MP3"

ما هو ملف MP3؟

MP3 (MPEG 1 Audio Layer-3) هي تقنية قياسية متعارف عليها وصيغة تستخدم في ضغط تسلسل الصوت. يتم ضغط الملف لحوالي 1/10 من حجمه الأصلي. ويتم ضغط الأصوات التي تقع خارج نطاق السمع البشري في حين أن الأصوات التي يمكننا سماعها لا يتم ضغطها.

ملفات "MP3" التي يمكن تشغيلها على هذا الجهاز

يمكنك فقط تشغيل ملفات MP3 التي يتم تسجيلها وفق المتطلبات التالية.

الوسائل التي يمكنك استخدامها

الأسطوانات CD-R و CD-RW

صيغة الأسطوانة التي يمكن استخدامها

يمكنك استخدام صيغ الأسطوانات من الأنواع ISO 9660 المستوى ١ والمستوى ٢ أو الإمتداد Joliet. وفي بعض الحالات، فإن ملفات MP3 التي يتم تسجيلها بصيغ غير المذكورة أعلاه قد لا تعمل بصورة عادية أو أن أسماء الملفات والحافظات قد لا يتم عرضها بالشاشة بصورة سليمة. المواصفات الرئيسية لصيغة الأسطوانة التي يمكن استخدامها على النحو التالي:

- أقصى عدد لدرجات الدليل: ٨
- الرموز التي يمكن استخدامها لإسم الملف/الحافظة: A - a, Z - z, 0 - 9, _ (الخط التحتي)
- أقصى عدد من الرموز لإسم الملف: ٦٤ ويشمل ذلك علامات الإقتباس وشفرة إمتداد تتكون من ٣ رموز.

ملاحظات

- عندما تقوم بكتابة الإسم، تأكد من إضافة علامة التمديد "mp3" لإسم الملف.
- إذا قمت بوضع علامة التمديد "mp3" لملف ليس من النوع MP3، لن يتمكن الجهاز من التعرف على الملف بصورة سليمة وسوف ينتج ضجيج عشوائي يمكن أن يصبب سماعات الجهاز بالضرر.
- إسم الملف لا يتطابق مع بطاقة ID.

المواصفات

قسم مشغل الأسطوانات CD

النظام

نظام الصوت الرقمي للأسطوانة المدمجة

خصائص شبه الموصل الليزري

المادة: GaAlAs

طول الموجة: ٧٨٠ نانومتر

دوام الإنبعاثات: مستمر

الليزر الناتج: أقل من ٤٤,٦ مإيكرووات

(هذا الناتج هو الكمية التي يتم قياسها على مسافة ٢٠٠ ملم من سطح العدسة الشبكية على قسم اللقط البصري بفتحة قطرها ٧ ملم.)

سرعة عمود الدوران

٢٠٠ دورة في الدقيقة إلى ٥٠٠ دورة في الدقيقة (CLV)

عدد القنوات

٢

الاستجابة للذبذبات

٢٠ - ٢٠٠٠٠ هيرتز +/- ٢- ديسيبل

الإرتعاش والتفاوت في طبقة الصوت أقل من المستوى الذي يمكن قياسه

قسم الراديو

نطاق الذبذبات

الموجة FM: ٨٧,٥ - ١٠٨ ميغاهيرتز

MW: ٥٣١ - ١٦١١ كيلوهيرتز (إذا كان مقدار خطوة الموجة ٩

كيلوهيرتز)

٥٣٠ - ١٦١٠ كيلوهيرتز (إذا كان مقدار خطوة الموجة ١٠

كيلوهيرتز)

LW: ١٥٣ - ٢٧٩ كيلوهيرتز

الذبذبات المتوسطة IF

FM: ١٠,٧ ميغاهيرتز

MW/LW: ٤٥٠ كيلوهيرتز

الهوائيات

FM: هوائي تيلسكوبي

MW/LW: هوائي داخلي مكون من قضيب حديدي

قسم مسجل الأشرطة

نظام التسجيل

نظام أربعة مسارات بقناتين ستريو

سرعة الدوران السريع للشريط

تقريباً ١٢٠ ثانية عند استخدام شريط سوني النوع C-60

الاستجابة للذبذبات

النوع I TYPE (عادي): ٨٠ - ١٠٠٠٠ هيرتز

بصورة عامة

السماعات

المدى الكامل: ١٠ سم طول القطر، ٢، ٣، ٤ أوم، نوع مخروطي (عدد ٢)

اطراف الخرج

مقاييس السماعات الرأسية (مقيس إستريو صغير)

للمقاومات ١٦ - ٦٨ أوم للسماعات الرأسية ذات المقاومة الظاهرية

أقصى خرج للطاقة

٤,٦ وات

متطلبات الطاقة

مشغل الأسطوانات المدمجة ومسجل الأشرطة:

تيار متردد ٢٢٠-٢٤٠ فولت، ٥٠/٦٠ هيرتز

تيار مباشر ٩ فولت، ٦ بطاريات من النوع R20 (الحجم D)

لوحة التحكم عن بعد:

تيار مباشر ٣ فولت، بطاريتين من النوع R6 (الحجم AA)

استهلاك الطاقة

تيار متردد ٢٠ وات

عمر البطارية

لمشغل الأسطوانات CD، الراديو، ومسجل الشريط

التسجيل من الموجة FM

البطارية سوني من النوع R20P: ٥، ١٣ ساعة تقريباً

البطارية سوني القلوية من النوع LR20: ٢٠ ساعة تقريباً

تشغيل الشريط

البطارية سوني من النوع R20P: ٥، ٧ ساعة تقريباً

البطارية سوني القلوية من النوع LR20: ١٥ ساعة تقريباً

تشغيل الأسطوانة المدمجة CD

البطارية سوني من النوع R20P: ٢، ٥ ساعة تقريباً

البطارية سوني القلوية من النوع LR20: ٧ ساعات تقريباً

الأبعاد

تقريباً ٣٦٨ × ١٦٦ × ٢٥٢ ملم (عرض/إرتفاع/عمق)

(بما فيها الأجزاء البارزة)

الكتلة:

تقريباً ٣,٣ كيلوجرام (بما فيها البطاريات)

الملحقات المزودة

السلك الرئيسي للتيار (١)

وحدة التحكم عن بعد (١)

التصميم والمواصفات عرضة للتغيير دون إشعار.

الملحقات الاختيارية

مجموعة سماعات الرأس سوني MDR من النوع

الصيانة

تنظيف العدسة

إذا استخنت العدسة، فإن ذلك قد يتسبب في تخطي المواد الصوتية المسجلة عند تشغيل الأسطوانة المدمجة CD. قم بالتنظيف باستخدام نافخة الهواء المتوفرة تجارياً.

تنظيف رؤوس الشريط ومسار الشريط

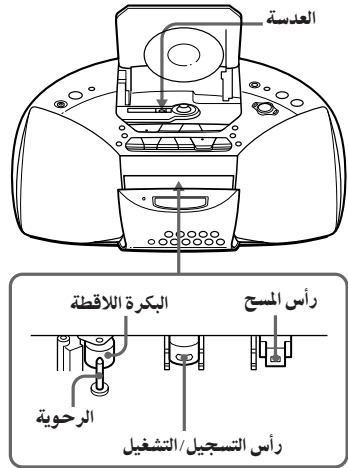
قم بمسح الرؤوس، البكرة اللاقطة والرحوية بواسطة ممسحة مبللة قليلاً بمحلول تنظيف أو كحول بعد كل عشر ساعات من التشغيل حتى تضمن الحصول على نوعية ممتازة من الإستماع والتسجيل. للحصول على أفضل مستوى ممكن للتسجيل، فإننا ننصحك بتنظيف كل الأسطح التي يمر عليها الشريط قبل كل عملية تسجيل.

إزالة المغنطة عن رؤوس الشريط

بعد ٢٠ إلى ٣٠ ساعة من الاستعمال، تتراكم الشحنات المغناطيسية المتخلقة على رؤوس الشريط بما يكفي للبدء في التسبب في فقدان صوت الذبذبات العالية، وحدوث الضجيج. عند حدوث ذلك، يجب عليك إزالة المغنطة، عن الرؤوس وكل الأجزاء المعدنية في مسار الشريط باستخدام مزبل المغنطة عن رأس الشريط المتوفر تجارياً.

تنظيف الصندوق الخارجي للجهاز

قم بتنظيف صندوق الجهاز واللوحة والأزرار باستخدام قطعة قماش ناعمة ومبللة قليلاً بمحلول من مسحوق الغسيل المخفف. لا تستعمل أي نوع من المنظفات الكاشطة، المساحيق المنظفة، أو المذيبات الكيماوية مثل الكحول والبنزين.



بعد الإنتهاء من عملية التنظيف، أدخل الشريط بعد التأكد من أن الأماكن التي تم تنظيفها قد جفت بالكامل.

وحدة التحكم عن بعد

وحدة التحكم عن بعد لا تعمل.

- إذا كانت بطاريات وحدة التحكم عن بعد ضعيفة، إستبدالها جميعاً بأخرى جديدة.
- تأكد من أنك تقوم بتوجيه وحدة التحكم عن بعد نحو مستشعر الإشارات الموجود بالجهاز.
- أبعاد أي عوائق موجودة في مسار الموجات اللاسلكية بين وحدة التحكم والجهاز.
- تأكد من أن مستشعر الموجات اللاسلكية بالجهاز، لا يتعرض لضوء قوي مثل ضوء الشمس المباشرة أو ضوء لمبة الفلورسنت.
- إقترب أكثر من الجهاز عند استعمال وحدة التحكم عن بعد.

بعد محاولة المعالجات المذكورة أعلاه. إذا كنت لا تزال تواجه مشكلات، إفضل السلك الرئيسي للتيار المتردد وانزع البطاريات. بعد أن تختفي كل المؤشرات عن الشاشة، قم بتوصيل السلك الرئيسي للتيار المتردد، وادخل البطاريات مرة أخرى. إذا استمرت المشكلة، يرجى إستشارة أقرب وكيل لشركة سوني Sony.

مشغل الشريط

الشريط لا يتحرك عندما تضغط زر التشغيل.

- أغلق حجيرة الشريط بإحكام.

زر REC لا يعمل أو أن الشريط لا يعمل ولا يمكن التسجيل عليه.

- تأكد من أن لسان الحماية موجود في مكانه.

لا يتم مسح الشريط بصورة كاملة

- قم بتنظيف رأس المسح (راجع صفحة ٢٩).
- إذا كانت البطاريات ضعيفة، إستبدالها جميعاً بأخرى جديدة.
- نحاول الأستماع إلى مصدر الصوت الذي تم تسجيله على الشريط من النوع II TYPE (الوضع العالي) أو TYPE IV (المعدني) بإستخدام هذا الجهاز. قم بالتسجيل على الشريط من النوع I TYPE (عادي) ثم أستمع إليه.

لا يمكن التسجيل على الشريط.

- تأكد من أن الشريط قد تم إدخاله بصورة سليمة.
- تأكد من أن لسان الحماية موجود في مكانه.

الصوت ضعيف / جودة الصوت رديئة

- نظف الرؤوس، البكرة اللاقطة والرحوية (راجع صفحة ٢٩).
- قم بإزالة المغنطة عن الرؤوس باستعمال مزيل المغنطة (راجع صفحة ٢٩).

الصوت أصبح مشوشاً.

- الشريط المستخدم من النوع II TYPE (الوضع العالي) أو TYPE IV (المعدني). إستعمل الشريط من النوع I TYPE (العادي) فقط.

تحري الخلل واصلاحه

بصورة عامة

لا يمكن توصيل الطاقة بالجهاز.

- قم بتوصيل سلك التيار المتردد الرئيسى في مقبس التيار الحائطي بإحكام.
- تأكد من أن البطاريات قد تم إدخالها بصورة صحيحة.
- لا يمكنك تشغيل الجهاز باستخدام وحدة التحكم عن بعد عند تشغيل الجهاز بالبطاريات.

لا يمكن توصيل الطاقة بالجهاز، وتومض المؤشرات "BATT" و "ERROR" على الشاشة بصورة متناوبة.

- تأكد من أن البطاريات قد تم إدخالها بصورة صحيحة.
- استبدل كل البطاريات بأخرى جديدة إذا كانت ضعيفة.

لا يمكن سماع الصوت.

- اضبط مستوى الصوت.
- قم بفصل سماعات الرأس عن الجهاز عندما ترغب في الاستماع عبر السماعات الخارجية.

يتم سماع ضجيج.

- يستخدم أحد الأشخاص هاتف محمول أو جهاز آخر يصدر موجات الراديو قرب الجهاز. ← حرك الهاتف المحمول بعيداً عن الجهاز.

مشغل الأسطوانات المدمجة

تومض عبارة "no DISC" بالشاشة، حتى عندما تكون الأسطوانة المدمجة في وضعها الصحيح.

- ادخل الأسطوانة بحيث يكون الوجه الذي عليه البطاقة إلى أعلى.
- الأسطوانة المدمجة CD-R/CD-RW فارغة.
- الأسطوانة المدمجة CD-R/CD-RW لم يتم إكمالها في صورتها النهائية.
- قم بإكمال الأسطوانة CD-R/CD-RW باستخدام جهاز التسجيل أو البرمجيات التطبيقية.
- هنالك مشكلة في جودة الأسطوانة المدمجة CD-R/CD-RW، أو جهاز التسجيل أو البرمجيات التطبيقية.

لا يمكن تشغيل الأسطوانة CD.

- تأكد من أن حجيرة الأسطوانة CD قد تم اغلاقها.
- أدخل الأسطوانة CD بحيث يكون الوجه الذى عليه البطاقة إلى أعلى.
- قم بتنظيف الأسطوانة CD.
- انزع الأسطوانة CD واترك حجيرة الأسطوانات CD مفتوحة لمدة ساعة تقريباً لتجف تكاثف الرطوبة.
- تأكد من ظهور مؤشر "CD" بالشاشة.

يخفق الصوت.

- خفض مستوى الصوت.
- نظف الأسطوانة المدمجة CD، أو قم باستبدالها إذا لحق بها ضرراً كبيراً.
- ضع الجهاز في مكان خالي من الاهتزازات.
- قد يزول الصوت أو يتم سماع ضجيج عند إستعمال أسطوانات مدمجة CD-R/CD-RW ضعيفة الجودة أو إذا كانت هناك مشكلة في الجهاز أو البرمجيات التطبيقية التى استخدمت في التسجيل.

ظهور المؤشر "NOT MP3"

- أنت تحاول الإستماع إلى ملف ليس من النوع "MP3" ولكنه يحتوي على علامة التمديد "mp3". (صفحة ٣١)

ظهور المؤشرات "NOT MP3" و "LAYER 1" أو "NOT MP3" و "LAYER 2" بصورة متناوبة.

- أنت تحاول الإستماع إلى ملف MPEG1 الصوتي من النوع (LAYER1) أو (LAYER2). يمكنك فقط الإستماع إلى ملفات MP3 من النوع (MPEG 1 Audio Layer-3) على هذا الجهاز. (صفحة ٣١)

ظهور المؤشر "no MP3"

- لا يوجد ملفات MP3 على الأسطوانة.

الراديو

الصوت ضعيف أو رديء الجودة.

- استبدل كل البطاريات بأخرى جديدة إذا كانت ضعيفة.
- أنقل الجهاز بعيداً عن التلفزيون.
- من الممكن سماع الضجيج، إذا كنت تستخدم وحدة التحكم عن بعد أثناء الاستماع لموجات الراديو MW/LW.

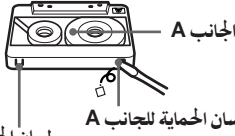
الصورة على جهاز تلفزيونك أصبحت غير مستقرة.

- إذا كنت تستمع لبرنامج على الموجة FM بالقرب من تلفزيون ذو هوائي داخلي، حرك الجهاز بعيداً عن التلفزيون.

يتبع

ملاحظات بخصوص الأشرطة

- قم بكسر لسان الحماية للشريط من الجانب A أو B حتى تتفادى حدوث التسجيل الغير مقصود. إذا كنت ترغب إعادة إستعمال الشريط للتسجيل، غطي مكان لسان الحماية الذي تم كسره بواسطة شريط لاصق.



- لا ينصح باستخدام الأشرطة التي تزيد مدة تشغيلها عن ٩٠ دقيقة، إلا في حالتها التسجيل أو الاستماع المستمرين لفترة طويلة.

ملاحظات بخصوص الأسطوانات المدمجة CD

- قبل التشغيل، قم بتنظيف الأسطوانة بقماش تنظيف. إمسح الأسطوانة ابتداءً من المركز ومنتجها إلى الخارج.



- لا تستخدم المحاليل المذيبة مثل البنزين، مخفف الدهانات «ثر»، أو المنظفات المتوفرة تجارياً، أو بخاخ الرشاشات المقاومة للكهربائية الاستاتيكية والمصممة أصلاً لأسطوانات الفوتوغراف البلاستيكية.
- لا تعرض الأسطوانة CD لضوء الشمس المباشر، أو مصادر الحرارة مثل مخارج الهواء الساخن، ولا تتركها داخل سيارة مصفوفة تحت أشعة الشمس المباشرة، لأن درجة الحرارة داخل السيارة قد ترتفع بصورة كبيرة.
- لا تلتصق ورقة أو بطاقة على الأسطوانة CD، ولا تسبب في خدش سطح الأسطوانة CD.
- بعد التشغيل، إحتفظ بالأسطوانة CD داخل علبتها.

إذا كان هناك خدوش أو اوساخ أو بصمات أصابع على الأسطوانة CD، قد يسبب ذلك خطأً في قراءة المسارات.

التدابير الوقائية

حول السلامة

- بما أن شعاع الليزر المستخدم في الجزء الخاص بمشغل الأسطوانات CD، مؤذ للعينين، لا تقم بتفكيك صندوق الجهاز. اسند عمليات الصيانة للأشخاص المؤهلين فقط.
- عند سقوط أي مادة صلبة أو سائل داخل الجهاز، إفصل الجهاز عن التيار الكهربائي، وافحص الجهاز عند الفني المختص قبل القيام بتشغيله مرة أخرى.
- الأسطوانات ذات الأشكال الغير قياسية (على سبيل المثال شكل القلب، أو المربع، أو النجمة) لا يمكن تشغيلها بواسطة هذا الجهاز. محاولة تشغيلها قد تلف الجهاز.
- لا تستخدم مثل تلك الأسطوانات.

حول مصادر الطاقة

- للتشغيل بواسطة التيار الكهربائي المتردد، تأكد من أن فرق الجهد التشغيلي (الفولطية) للجهاز يتطابق مع قدر الطاقة المحلي في منطقتك (راجع قسم «المواصفات») واستعمل سلك التيار الرئيسي المزود، وتجنب استخدام الأنواع الأخرى.
- يظل الجهاز غير مفصول عن مصدر التيار المتردد (الرئيسي) طالما كان موصولاً بمقبس التيار على الحائط، حتى وإن كان الجهاز نفسه في وضع إيقاف التشغيل.
- للتشغيل بواسطة البطاريات، استخدم ستة بطاريات من النوع R20 (الحجم D).
- في حالة عدم استعمال البطاريات، إنزعها لتلافي التلف الذي قد يسببه رشح سائل البطارية أو تأكلها.
- اللوحة التي توضح فرق الجهد التشغيلي، واستهلاك الطاقة وغيرها موجودة أسفل الجهاز.

حول الموضع الملائم

- لا تترك الجهاز في مكان قريب من مصادر الحرارة، أو في أماكن تتعرض لأشعة الشمس المباشرة، أو الغبار الشديد أو الصدمات الميكانيكية.
- لا تضع الجهاز على سطح مائل أو سطح غير ثابت.
- لا تضع أي شيء في نطاق ١٠ ملم من جانب صندوق الجهاز. فتحات التهوية يجب ألا يتم حجبتها لكي يعمل الجهاز بصورة مثلى ولإطالة عمر مكوناته.
- إذا اضطرت لترك الجهاز داخل سيارة مصفوفة في مكان مكشوف، تأكد من إختيار موضع داخل السيارة لا يتعرض فيه الجهاز لأشعة الشمس المباشرة.
- بما أن هناك مغناطيس قوي مستخدم في سماعات الجهاز، يرجى الاحتفاظ ببطاقات الإعتقاد التي تستخدم فيها التشفير المغناطيسي، والساعات الزمركية بعيداً عن الجهاز، لتفادي التلف الذي يحدثه المغناطيس.

حول التشغيل

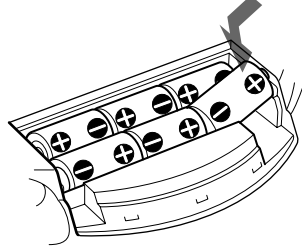
- إذا تم نقل الجهاز مباشرة من مكان بارد إلى مكان حار، أو إذا تم وضعه في غرفة شديدة الرطوبة، قد تتكثف الرطوبة حول العدسة في داخل مشغل الأسطوانات اذا حدث ذلك، لن يعمل الجهاز بصورة جيدة. في مثل هذه الحالة، إنزع الأسطوانات، وانتظر لمدة ساعة تقريباً، حتى تبخر الرطوبة.
- إذا لم يتم استخدام الجهاز لفترة طويلة، إضبته في وضع التشغيل ليتم إحمائه لبعض دقائق قبل إدخال شريط.

إذا كانت لديك أي استفسارات أو مشاكل بخصوص هذا الجهاز، يرجى إستشارة أقرب وكيل لشركة سوني Sony.



3

تشغيل الجهاز باستخدام البطاريات
ادخل ستة بطاريات من النوع R20 (الحجم D) غير
مزودة) داخل حجيرة البطاريات.
لكي تشغل الجهاز مستخدماً البطاريات، إنزع السلك
الرئيسي للتيار المتردد عن الجهاز.



استبدال البطاريات

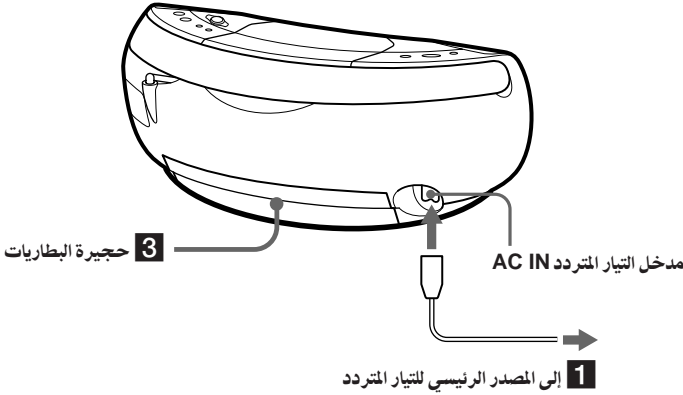
إستبدل البطاريات عندما يصبح ضوء مؤشر OPR/BATT خافتاً أو عندما يتوقف الجهاز عن التشغيل. استبدل جميع البطاريات بأخرى جديدة.

ملاحظات

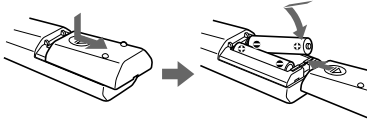
- قبل القيام باستبدال البطاريات، تأكد من إخراج الأسطوانة المدمجة CD من الجهاز.
- عندما تشغل الجهاز باستخدام البطاريات، لن تتمكن من تشغيل الجهاز بواسطة وحدة التحكم عن بعد.

إختيار مصادر الطاقة

يمكنك إستخدام التيار المتردد أو البطاريات كمصدر للطاقة.



2 تهيئة وحدة التحكم عن بعد
ادخل بطاريتين من النوع R6 (الحجم AA) (غير مزودة).



تغيير البطاريات

في حالات الاستعمال العادية، يصل عمر البطارية لستة أشهر.
عند اخفاق وحدة التحكم عن بعد في تشغيل الجهاز، قم
بإبدال كل البطاريات بأخرى جديدة.

تتبع

1 توصيل سلك المصدر الرئيسي للتيار المتردد
ادخل أحد طرفي سلك التيار الرئيسي في مقبس مدخل
التيار AC IN الموجود خلف الجهاز، والطرف الآخر
في مقبس مصدر التيار الرئيسي بالحائط.

تغيير مدى المولفة للموجة MW

إذا كنت ترغب في تغيير مدى المولفة للموجة MW، اتبع
الآتي:

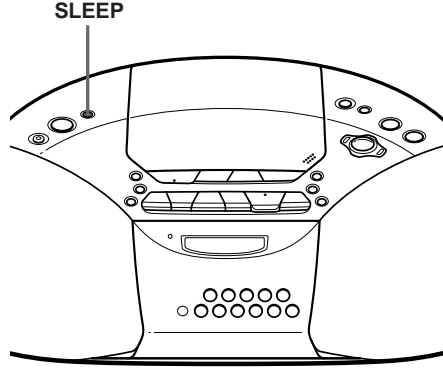
- 1 إضغط الزر RADIO BAND•AUTO PRESET حتى يتم عرض "MW" على الشاشة.
- 2 إضغط DISPLAY•ENT•MEMORY لمدة ثانيتين.
- 3 إضغط RADIO BAND•AUTO PRESET لمدة ثانيتين.
سيومض المؤشر "MW9" أو "MW10" بالشاشة.
- 4 إضغط الزر TUNE+ أو - لتختار "MW9" مدى
ذبذبات مقدارها 9 كيلو هيرتز أو "MW10" لتختار مدى
ذبذبات مقدارها 10 كيلو هيرتز.
- 5 إضغط الزر DISPLAY•ENT•MEMORY بعد قيامك بتغيير مدى المولفة، تحتاج للقيام بإعادة ضبط
محطات الراديو على الموجة MW التي تم ضبطها مسبقاً .

ملاحظة

عند الاستماع الى شريط مستخدماً هذه الوظيفة:
إذا كان احد وجهي الشريط اطول من المدة المضبوطة، سوف لن يتوقف الجهاز الى ان يصل الشريط الى نهايته.

النوم على أنغام الموسيقى

يمكنك تهيئة الجهاز بحيث يتم إقفاله تلقائياً بعد ١٠ , ٢٠ , ٣٠ , ٦٠ , ٩٠ أو ١٢٠ دقيقة، مما يسمح لك بالنوم أثناء الاستماع للموسيقى.



1 قم بتشغيل المصدر الموسيقي الذي ترغب فيه.

2 اضغط الزر SLEEP حتى تظهر كلمة "SLEEP" بالشاشة.

3 اضغط الزر SLEEP لتختار عدد الدقائق التي يتوقف بعدها الجهاز تلقائياً.

كل مرة تضغط فيها على الزر، سيتغير مؤشر الدقائق على النحو التالي:
"60" ← "90" ← "120" ← "OFF"
"10" ← "20" ← "30".



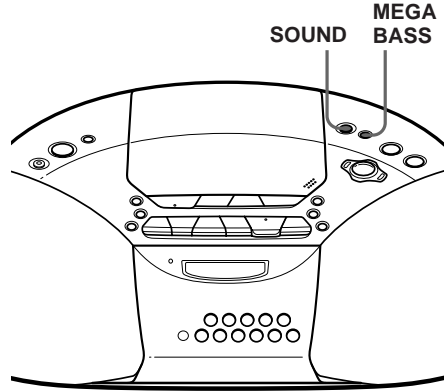
إذا مضت ٤ ثواني بعد قيامك بالضغط على زر SLEEP، سيتم حفظ الدقائق التي تظهر بالشاشة. عندما تنتهي المدة التي تمت برمجتها، يتوقف الجهاز تلقائياً.

إلغاء وظيفة النوم

إضغط الزر POWER لتقطع التيار عن الجهاز.

ضبط مؤثر الصوت

يمكنك ضبط المؤثر الصوتي للمادة التي تستمع إليها.



إختار الخصائص الصوتية للمادة المسجلة

قم بالضغط على الزر SOUND بصورة متكررة لتختار المؤثر الصوتي الذي ترغب فيه.

للمحصول على	قم باختيار
تسجيلات قوية ونقية تشدد على أصوات الطبقات الدنيا والعليا	⏪ ⏩ ⏴ ⏵
تسجيلات خفيفة وواضحة، تشدد على الطبقات الصوتية العليا والوسطى	⏪ ⏩ ⏴ ⏵
أصوات إيقاعية، تشدد على الصوت الجهير	⏪ ⏩ ⏴ ⏵
ظهور الأصوات الوترية، التي تشدد على أصوات الطبقات الوسطى	⏪ ⏩ ⏴ ⏵
المدى الفعال بأكمله للموسيقى، مثل الموسيقى الكلاسيكية	⏪ ⏩ ⏴ ⏵

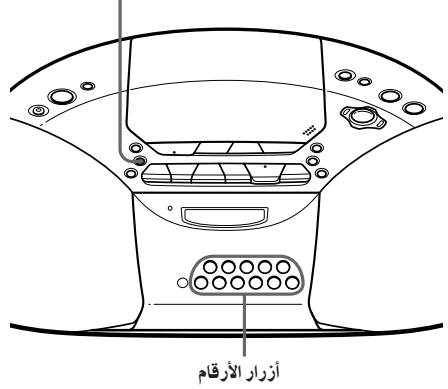
تقوية الصوت الجهير

إضغط الزر MEGA BASS حتى يومض المؤشر "MEGA BASS" بالشاشة.
للرجوع للوضع الإعتيادي، إضغط على الزر مرة أخرى.

الاستماع الى محطات الراديو التي تم ضبطها مسبقاً

بمجرد قيامك بالضغط المسبق للمحطات، استخدم أزرار الأرقام لتشغيل محطاتك المفضلة.

RADIO BAND AUTO PRESET

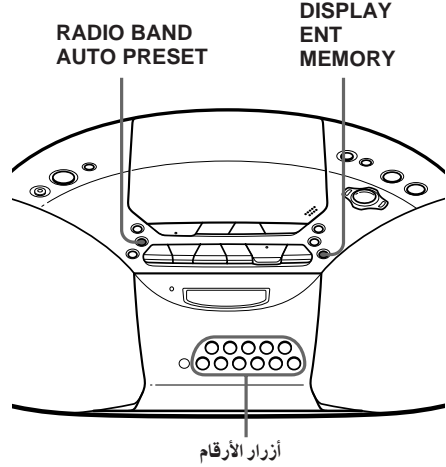


1 اضغط الزر RADIO BAND•AUTO PRESET لكي تختار الموجة.

2 قم بالضغط على أزرار الأرقام لتشغيل المحطة التي تم تخزينها.
لتشغيل محطة تم ضبطها مسبقاً ورقمها أكبر من 10، قم بالضغط على الزر >10 أولاً، وبعد ذلك اضغط على أزرار الرقم المطابق.
(مثال: لتشغيل المحطة التي تم ضبطها مسبقاً بالرقم 12، قم بالضغط على الزر >10 والزر 1 أولاً. وبعد ذلك اضغط الزر 2.)

الضبط المسبق لمحطات الراديو

يمكنك تخزين محطات الراديو في ذاكرة الجهاز. يمكنك القيام بالضبط المسبق لما يصل إلى ٤٠ من محطات الراديو، ٣٠ للموجة FM و ١٠ محطات لكل من الموجة MW والموجة LW، وبأي ترتيب تختاره.



1 إضغط الزر RADIO BAND•AUTO PRESET لتختار الموجة.

2 احتفظ بالزر RADIO BAND•AUTO PRESET مضغوطاً حتى تومض كلمة "AUTO" بالشاشة.

3 إضغط الزر DISPLAY•ENT•MEMORY يتم تخزين المحطات بالذاكرة من الترتيبات الدنيا وإلى الترتيبات العليا.

إذا لم يكن من الممكن القيام بالضبط المسبق للمحطة تلقائياً: إنك تحتاج للقيام بالضبط المسبق للمحطة يدوياً.

1 قم بالضغط على الزر RADIO BAND•AUTO PRESET لتختار الموجة.

2 قم بموافقة المحطة التي ترغب فيها.

3 احتفظ بزر الرقم الذي ترغب في القيام بالضبط المسبق للمحطة فيه مضغوطاً لمدة ثانيتين تقريباً.

لكي تختار رقم للضبط المسبق يتجاوز 10، قم بالضغط على الزر >10 أولاً، وبعد ذلك إضغط على أزرار الرقم المطابق.

لكي تتمكن من التسجيل تحتاج للإحتفاظ بزر الرقم الأخير مضغوطاً لحوالي ثانيتين.

(مثال: لكي تختار الرقم ١٢، إضغط الزر >10 والزر رقم 1، ثم احتفظ بالزر 2 مضغوطاً لحوالي ثانيتين.)

إنشاء برنامجك الخاص (التشغيل المبرمج) (تتمه)

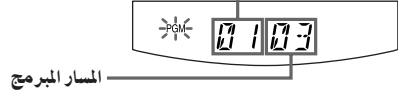
إرشادات مفيدة

- يمكنك تشغيل البرنامج مرة أخرى، لأن البرنامج يظل محفوظاً إلى أن تقوم بفتح حجرة الأسطوانة.
- يمكنك تسجيل برنامجك الخاص. بعد قيامك بإنشاء البرنامج، قم بإدخال شريطاً فارغاً وإضغط الزر ● لتبدأ التسجيل.
- وظيفة الإستئناف لا تعمل أثناء التشغيل المبرمج.

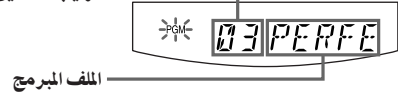
3 إضغط الزر <<< أو الزر >>>، الزر + FOLDER

أو - ثم إضغط الزر DISPLAY•ENT•MEMORY للمسار أو الملف* الذي ترغب في برمجته وبالترتيب الذي ترغب فيه.
* الحافظات في حالة تشغيل الحافظة المبرمج.

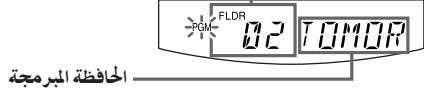
الأسطوانة الصوتية (التشغيل المبرمج) ترتيب التشغيل



أسطوانة MP3 (التشغيل المبرمج) ترتيب التشغيل



أسطوانة MP3 (تشغيل الحافظة المبرمج) ترتيب التشغيل



4 إضغط الزر || لتبدأ التشغيل المبرمج.

إلغاء التشغيل المبرمج

قم بإيقاف التشغيل أولاً. وبعد ذلك إحتفظ بزر MODE مضغوطة حتى تختفي العلامة "PGM" عن الشاشة.

للتحقق من ترتيب المسارات قبل التشغيل

إضغط DISPLAY•ENT•MEMORY.

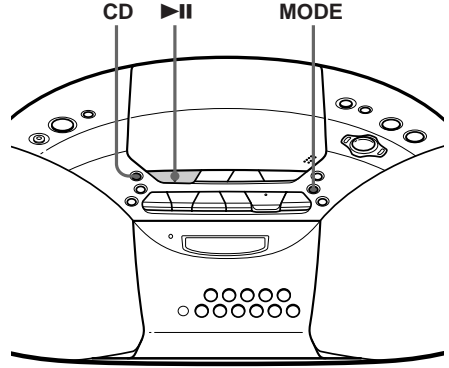
وكل مرة تضغط فيها على هذا الزر، سيظهر رقم المسار أو الحافظة في الترتيب المبرمج.

لتغيير البرنامج الحالي

إضغط الزر ■ مرة واحدة إذا كانت الأسطوانة في وضع الإيقاف ومرتين إذا كانت الأسطوانة في وضع التشغيل. سيتم مسح البرنامج الحالي. وبعد ذلك قم بإنشاء برنامج جديد بإتباع خطوات البرمجة.

الاستماع الى المسارات بترتيب عشوائي (التشغيل العشوائي)

يمكنك الاستماع الى المسارات بترتيب عشوائي.



1 إضغط الزر CD.

ستظهر العلامة "CD" على الشاشة.

2 إحتفظ بالزر MODE مضغوطاً حتى تظهر العلامة "SHUF" على الشاشة.

3 إضغط الزر II ▶ لتبدأ التشغيل العشوائي.

لإلغاء التشغيل العشوائي

قم بإيقاف التشغيل أولاً. ثم إحتفظ بزر MODE مضغوطاً حتى تختفي العلامة "SHUF" عن الشاشة.

عند تشغيل ملفات MP3

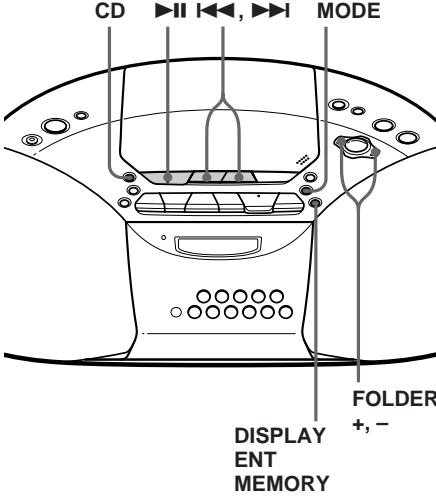
يقوم الجهاز بتشغيل جميع الملفات (والى ٢٥٥ ملفاً) بالأسطوانة وبترتيب عشوائي.

توجيهات

- أثناء التشغيل العشوائي، لا يمكنك إختيار المسار السابق بالضغط على الزر II ▶.
- وظيفة الإستئناف لا تعمل أثناء التشغيل العشوائي.

إنشاء برنامجك الخاص (التشغيل المبرمج)

يمكنك تنظيم ترتيب التشغيل لما يصل إلى ٢٠ مساراً أو ملفاً على الأسطوانة. وعندما تقوم بتشغيل ملفات MP3، يمكنك برمجة ما يصل إلى ٢٠ حافظة (تشغيل الحافظة المبرمج).



1 إضغط الزر CD. ستظهر العلامة "CD" على الشاشة.

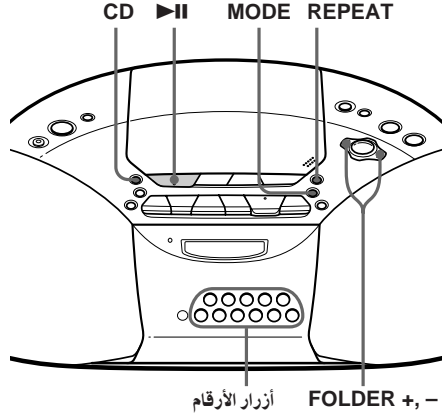
2 إحتفظ بالزر MODE مضغوطاً حتى تظهر العلامة "PGM" على الشاشة.

عندما تقوم باختيار تشغيل الحافظة المبرمج (أسطوانة MP3 فقط)، إحتفظ بزر MODE مضغوطاً حتى تظهر العلامة "PGM FLDR" على الشاشة.

تتبع

الإستماع إلى المسارات بصورة متكررة (الإستماع المتكرر)

يمكنك الإستماع الى المسارات بصورة متكررة في الوضع العادي، العشوائي أو المبرمج.



1 أضغط زر CD.

ستظهر "CD" على شاشة العرض.

2 واصل على النحو التالي.

تكرار	قم بالإجراء التالي
مسار واحد	1 إحتفظ بزر REPEAT مضغوطاً حتى تظهر العلامة "REP 1" على الشاشة. 2 إضغط زر رقم المسار الذي ترغب في تكرار سماعه.
جميع مسارات الأسطوانات	1 إحتفظ بزر REPEAT مضغوطاً حتى تظهر العلامة "REP ALL". 2 إضغط الزر ► .
الحافظة التي يتم إختيارها (أسطوانات MP3 فقط)	1 إحتفظ بزر REPEAT مضغوطاً حتى تظهر العلامة "REP FLDR". 2 قم بإختيار الحافظة بالضغظ على زر FOLDER + أو -، وبعد ذلك إضغط الزر ► .
المسارات بترتيب عشوائي (١٧).	1 إبدأ الإستماع العشوائي (راجع صفحة عشوائي (١٧). 2 إحتفظ بزر REPEAT مضغوطاً حتى تظهر العلامة "SHUF REP".

تكرار

قم بالإجراء التالي

المسارات المبرمجة	1 مسارات البرنامج (راجع الخطوة ٣ صفحة ١٨). 2 إحتفظ بالزر REPEAT مضغوطاً حتى تظهر العلامة "PGM REP". 3 إضغط الزر ► .
الحافظات المبرمجة	1 حافظات البرنامج (راجع الخطوة ٣ صفحة ١٨). 2 إحتفظ بزر REPEAT مضغوطاً حتى تظهر العلامة "FLDR REP". 3 إضغط الزر ► .

إلغاء الإستماع المتكرر

إحتفظ بالزر REPEAT مضغوطاً حتى تختفي العلامة "REP" عن شاشة العرض.

عند الإستماع إلى ملفات MP3

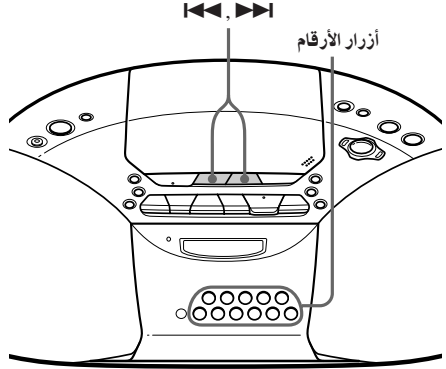
عندما تقوم بإختيار "REP ALL"، يقوم الجهاز بتشغيل جميع الملفات (إلى ٢٥٥ ملفاً) للأسطوانات بصورة متكررة.

توجيهات

- عندما ترغب في تحديد مسار رقمه أكبر من ١٠، إضغط الزر >10 أولاً، ثم اضغط أزرار الرقم المطابق.
مثال: للإستماع إلى المسار رقم ٢٣، إضغط الزر >10 أولاً، ثم إضغط الزر رقم 2 والزر رقم 3.
- إذا كنت ترغب في إختيار مسار رقمه أكبر من ١٠٠، قم بالضغط على الزر >10 مرتين، وبعد ذلك إضغط أزرار الرقم المطابق.

تحديد مسار معين

يمكنك بسرعة تحديد أي مسار على الأسطوانة بإستخدام أزرار الأرقام.
كما يمكنك إيجاد موضع معين بالمسار أثناء الإستماع إلى الأسطوانة.



تحدد	اضغط على
مسار معين مباشرة	زر رقم المسار
موضع أثناء الإستماع للصوت	زر ▶▶▶ (الإنتقال السريع إلى الأمام) أو زر ◀◀◀ (الإنتقال السريع إلى الخلف) وأستمر في الضغط عليه حتى تحصل على الموضع
موضع أثناء مراقبة شاشة العرض	زر ▶▶▶ (الإنتقال السريع إلى الأمام) أو زر ◀◀◀ (الإنتقال السريع إلى الخلف) في وضع التوقف المؤقت وأستمر في الضغط عليه حتى تحصل على الموضع

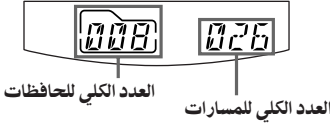
ملاحظات

- تحديد مسار معين بإستخدام أزرار الأرقام متاح فقط لمسارات الحافظة التي تم إختيارها.
- لا يمكنك تحديد مسار معين عند وميض مؤشر "SHUF" أو "PGM" على الشاشة. قم بإطفاء المؤشر بالضغط على الزر ■.

التحقق من معلومات الأسطوانة التي تحتوي على ملفات MP3

للتحقق من العدد الكلي للحافظات والعدد الكلي للملفات بالأسطوانة

عندما تكون الأسطوانة في وضع الإيقاف، يمكنك التحقق من ذلك على شاشة العرض.



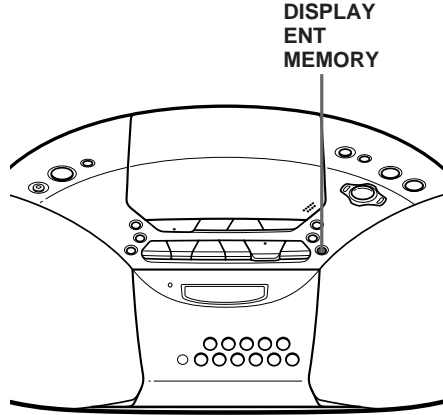
للتحقق من معلومات الملف

إضغط الزر DISPLAY•ENT•MEMORY أثناء الإستماع الى ملف MP3، سيتغير العرض على الشاشة على النحو التالي:



إستخدام شاشة العرض

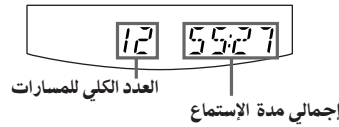
يمكنك التحقق من معلومات الأسطوانة بإستخدام شاشة العرض.



التحقق من معلومات الأسطوانة المدمجة الصوتية

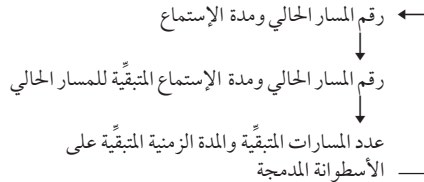
للتحقق من عدد المسارات الكلي ومدة الإستماع للأسطوانة

عندما تكون الأسطوانة في وضع الإيقاف، يمكنك التحقق من ذلك على شاشة العرض.

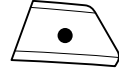


للتحقق من الزمن المتبقي

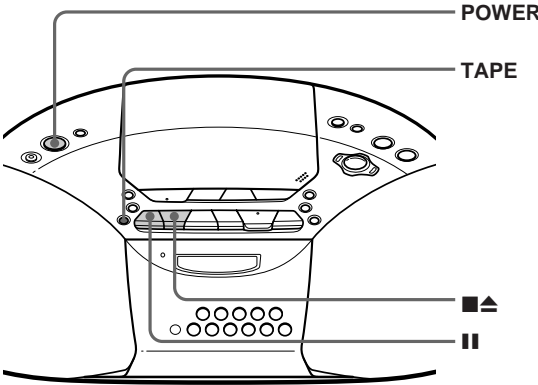
إضغط الزر DISPLAY•ENT•MEMORY أثناء الإستماع الى الأسطوانة المدمجة، سيتغير العرض على الشاشة على النحو التالي:



أضغظ الزر ● للبدء في التسجيل (يتم ضغط الزر تلقائياً).



إستعمل هذه الأزرار لعمليات التشغيل الإضافية

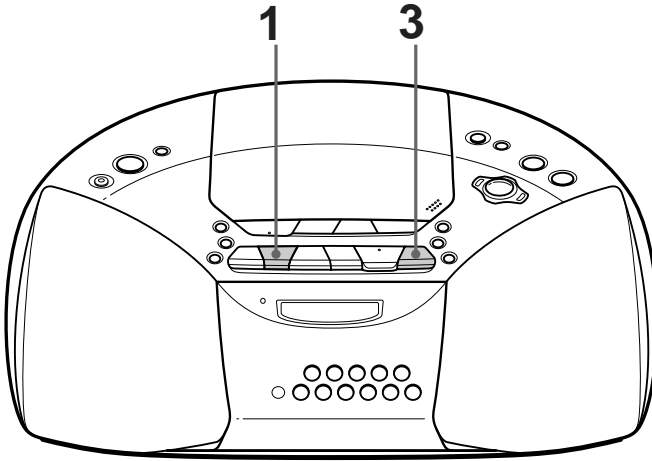


أضغظ على	لأجل
الزر ■▲	إيقاف التسجيل
الزر	التوقف المؤقت
إضغظ الزر مرة أخرى لإستئناف التسجيل.	
الزر POWER	تشغيل/ إيقاف الجهاز

توجيهات


- لن يؤثر ضبط مستوى الصوت أو تغيير التأثير الصوتي (راجع صفحة ٢١) على مستوى التسجيل.
- إذا كانت برامج الموجات MW/LW تصدر صوت صفير بعد قيامك بالضغط على الزر ● في الخطوة ٣، إضغظ الزر MODE لتختار وضع ISS (مفتاح كتم الشويش) الذي يؤدي لأفضل تخفيض في مستوى الإزعاج.
- للحصول على أفضل النتائج، إستعمل التيار الكهربائي المتردد كمصدر للطاقة.
- لمسح المواد المسجلة، إتبع الخطوات التالية:
 - 1 إدخال الشريط الذي ترغب في مسح المواد المسجلة عليه.
 - 2 أضغظ الزر TAPE.
 - 3 أضغظ الزر ●.

التسجيل على الشريط



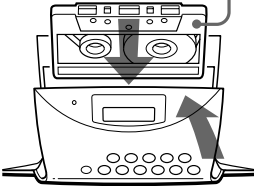
قم بتوصيل سلك التيار الرئيسي المزود (راجع صفحة ٢٣).

بحيث يكون الوجه الذي تريد التسجيل عليه مواجهاً لك.

أضغظ الزر  لفتح حجيرة الشريط و قم بإدخال شريطاً فارغاً. إستعمل النوع TYPE I (عادي) فقط. قم بغلاق حجيرة الشريط.



1



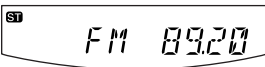
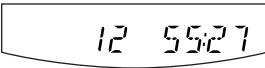
قم باختيار مصدر البرنامج الذي ترغب في تسجيله.

للتسجيل من مشغل الأسطوانات CD، قم بإدخال أسطوانة (راجع صفحة ٤) واضغظ الزر CD.

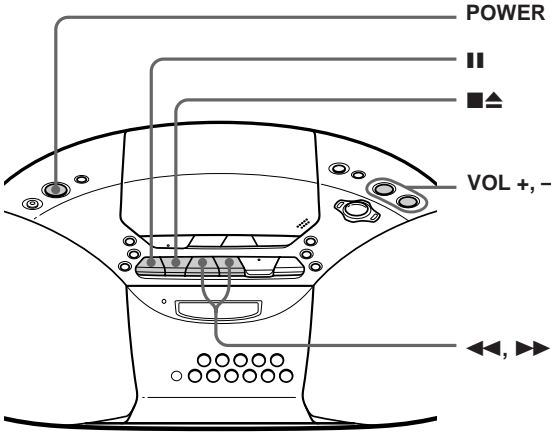
للتسجيل من الراديو، تحوّل إلى المحطة التي ترغب فيها (راجع صفحة ٨).

2

الشاشة



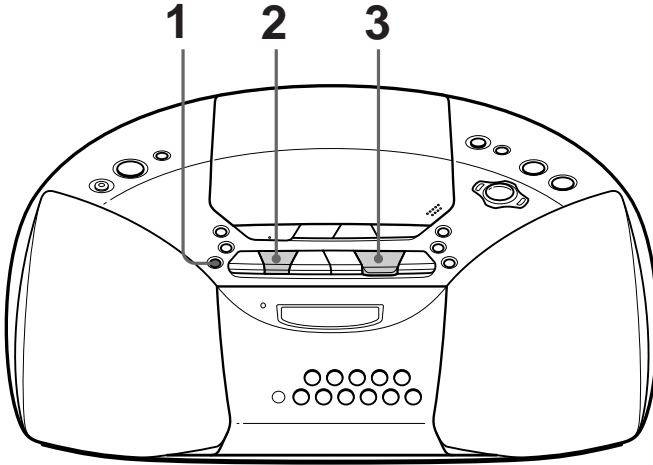
إستعمل هذه الأزرار لعمليات التشغيل الإضافية



أضغظ على	لأجل
الزر - ، * VOL +	ضبط مستوى الصوت
الزر ■▲	إيقاف التشغيل
الزر ◀▶ أو ▶▶	الانتقال السريع إلى الأمام أو إلى الخلف
الزر اضغظ الزر مرة أخرى لإستئناف التشغيل بعد التوقف المؤقت.	التوقف المؤقت
الزر ■▲	إخراج الشريط
الزر POWER	تشغيل/ إيقاف الجهاز

* للزر VOL + والزر ◀ نقطة بارزة .

الاستماع الى الشريط



قم بتوصيل سلك التيار الرئيسي المزود (راجع صفحة ٢٣).

أضغط زر TAPE.



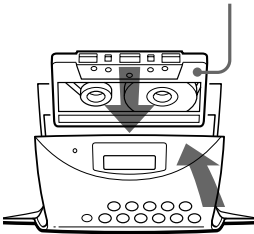
1

بحيث يكون الوجه الذي تريد تشغيله مواجهاً لك.

أضغط زر ▲■ لفتح حجيرة الشريط وقم بإدخال شريطاً مسجلاً. إستعمل النوع TYPE I (عادي) فقط. قم بغلاق حجيرة الشريط.



2

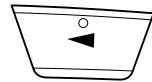


الشاشة



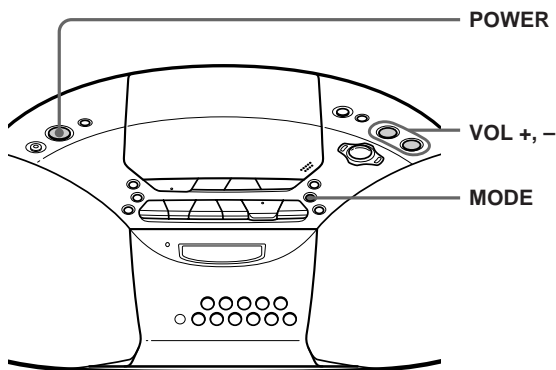
أضغط زر ◀.

سيبدأ الجهاز في التشغيل.



3

إستعمل هذه الأزرار لعمليات التشغيل الاضافية



إضغط على	لأجل
الزر VOL +*, -	ضبط مستوى الصوت
الزر POWER	قفل وفتح الراديو

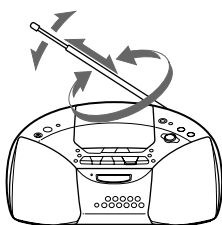
* للزر VOL + نقطة بارزة .

توجيهات

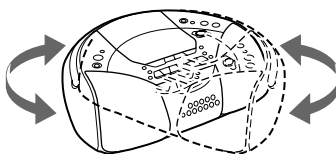
- إذا كان بث FM مشوشاً، إضغط زر MODE حتى تظهر "Mono" على الشاشة وسيصح إستقبال الراديو على نظام الصوت الأحادي.
- إذا كنت ترغب في تغيير مدى الموالفة للموجة MW، راجع صفحة ٢٣.

لتحسين إستقبال البث

قم بضبط إتجاه الهوائي FM. قم بضبط إتجاه الجهاز نفسه في حالة الموجتين MW/LW.

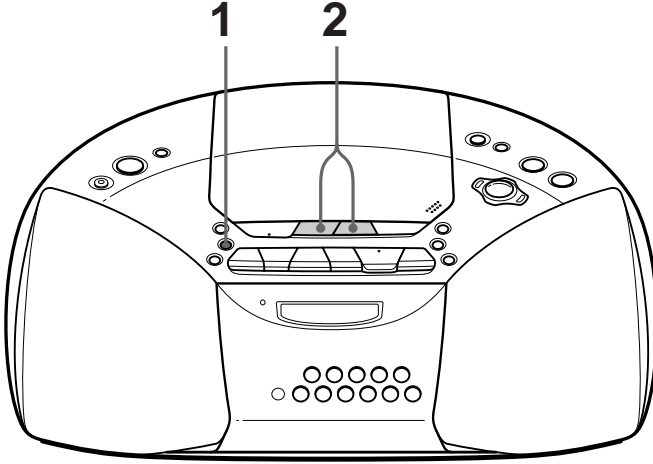


في حالة FM



في حالة MW/LW

الإستماع للراديو



قم بتوصيل سلك التيار الرئيسي المزود (راجع صفحة ٢٣).

الشاشة



إضغط زر RADIO BAND•AUTO

PRESET حتى يظهر نطاق الذبذبات التي تريدها على الشاشة.

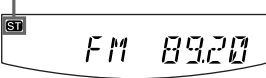
كل مرة تضغط فيها على الزر يتغير نطاق الذبذبات على النحو التالي:

"LW" ← "MW" ← "FM"

RADIO BAND
AUTO PRESET

1

تعني أن نظام بث FM على نمط
stereo (إستيريو)



إستمر في الضغط على زر + TUNE أو - حتى تبدأ أرقام الذبذبات في التغير على الشاشة.

يقوم الجهاز تلقائياً ببحث ذبذبات الراديو ويتوقف عندما يجد محطة واضحة.

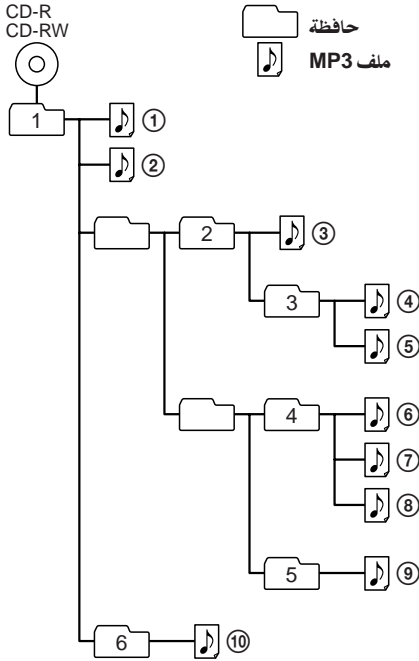
إذا لم تتمكن من ضبط محطة معينة، قم بتكرار الضغط على زر + TUNE أو - حتى تتمكن من تغيير الذبذبة تدريجياً.



2

مثال لتركيبة الحافظة وترتيب التشغيل

ترتيب تشغيل الحافظات والملفات كالآتي:



حول أسطوانات CD-RW/CD-R وملفات MP3

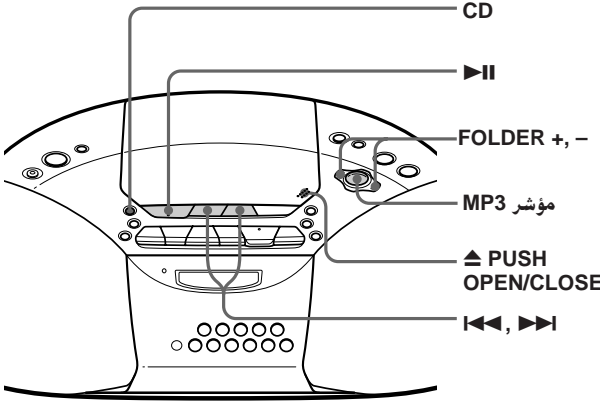
يستطيع هذا الجهاز تشغيل أسطوانات CD-RW/CD-R التي تم تسجيلها بصيغة CD-DA* وملفات MP3 التي تم تسجيلها بصيغة CD-ROM، ولكن مقدرة التشغيل قد تختلف اعتماداً على نوعية الأسطوانة وحالة جهاز التسجيل.

* CD-DA هي اختصار للمصطلح Compact Disk Digital Audio (نظام الصوت الرقمي للأسطوانة المدمجة). وهي مقياس تسجيل يستعمل للأسطوانات المدمجة الصوتية.

ملاحظات

- يتم تخطي الحافظة التي لا تحتوي على ملف MP3.
- أقصى عدد من الحافظات: ٢٥٥
- أقصى عدد من الملفات: ٢٥٥
- أسماء الحافظات وأسماء الملفات يمكن عرضها على الشاشة وبطول لا يتجاوز ٦٤ رمزاً.
- الرموز Z - A و z - a و 0 - 9 و _ يمكن عرضها على شاشة هذا الجهاز. الرموز الأخرى يتم عرضها كعلامة تجمية "؟".
- هذا الجهاز يتطابق مع النسخة 1.1 الخاصة بنمط اللاحقة ID3. إذا كان للملف معلومات اللاحقة ID3، فإنه من الممكن عرض «عنوان الأغنية» و «إسم الفنان» و «إسم الألبوم» على الشاشة.

الاستماع الى أسطوانة مدمجة بها ملفات MP3



ملاحظة

قبل تشغيل الملف، يقوم هذا الجهاز بقراءة كل معلومات الملف والحفاظة الموجودة على الأسطوانة. واعتماداً على صيغة الملف، قد تستغرق مدة قراءتها أكثر من دقيقة. وأثناء هذه الفترة، يتم عرض كلمة "Reading" على الشاشة.

توجيه

بإمكانك استخدام الأزرار المشار إليها بالجدول في صفحة 5 وذلك لعمليات التشغيل الإضافية بنفس الطريقة التي يتم بها تشغيل أسطوانة صوتية (مدمجة).

1 إضغط على زر CD.

2 إضغط زر PUSH OPEN/CLOSE ▲ لفتح حجيرة الأسطوانة وقم بوضع الأسطوانة داخل حجيرة الأسطوانة (راجع صفحة ٤).

3 أغلق غطاء حجيرة الأسطوانة.

4 إضغط الزر ▶||.

سيقوم الجهاز بتشغيل كل ملفات MP3 الموجودة على الأسطوانة. عندما تقوم بتشغيل أسطوانة عليها ملفات MP3، فإن مؤشر MP3 سوف يضيء.



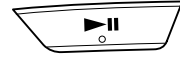
بعد أن يتم عرض اسم الملف بالشاشة، ستظهر مدة الاستماع.
رقم المسار

لإختيار حافظه

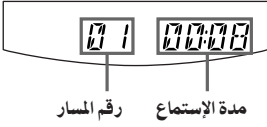
أضغط على الزر FOLDER + للانتقال إلى الأمام و - FOLDER للانتقال إلى الخلف (إضغط على الأزرار + FLDR أو - FLDR على وحدة التحكم عن بعد).

لإختيار ملف

إضغط الزر ▶▶ للانتقال إلى الأمام والزر ◀◀ للانتقال إلى الخلف.



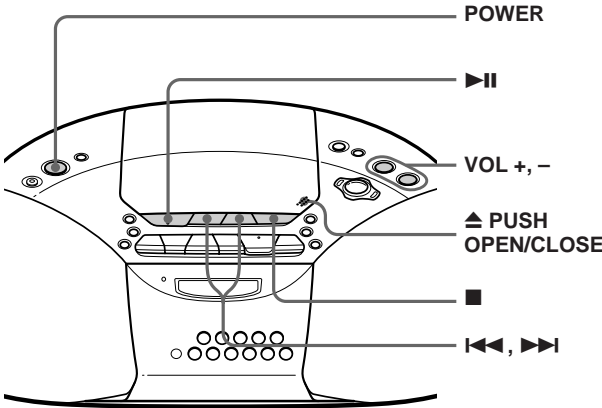
الشاشة



إضغط الزر **||** (أو الزر **▶** على وحدة التحكم عن بعد).

يقوم الجهاز بتشغيل كل المسارات مرة واحدة. لتشغيل أسطوانة بها ملفات MP3، راجع صفحة ٦.

إستعمل هذه الأزرار لعمليات التشغيل الإضافية



توجيه

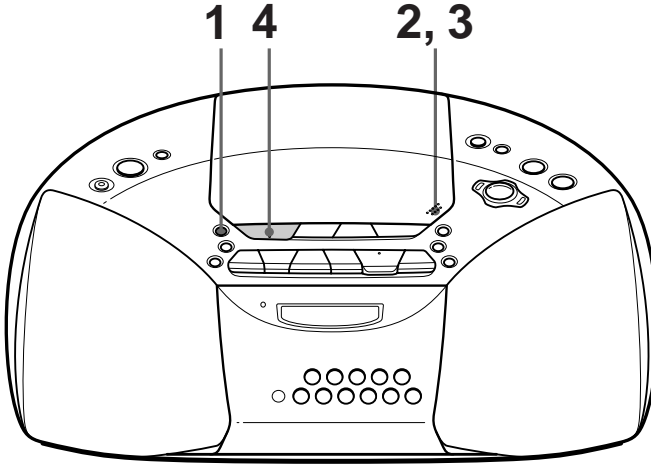
يبدأ الاستماع من آخر مسار تتوقف فيه عن الاستماع (إستئناف التشغيل)، أثناء حالة الأيقاف، يظهر على الشاشة رقم المسار الذي سوف يتم تشغيله. لإلغاء إستئناف التشغيل لكي تبدأ الإستماع من بداية المسار الأول، إضغط الزر **■** أثناء وضع الإيقاف.

إضغظ على	الأجل
الزر - ، * VOL +	ضبط مستوى الصوت
الزر ■	إيقاف الاستماع
الزر ▶▶ * (أو الزر على وحدة التحكم عن بعد) إضغظ الزر مرة أخرى لإستئناف التشغيل بعد التوقف المؤقت.	التوقف المؤقت للاستماع
الزر ▶▶▶	الانتقال للمسار التالي
الزر ◀◀	الرجوع للمسار السابق
الزر ▲ PUSH OPEN/CLOSE	نزع الأسطوانة**
الزر POWER	إيقاف/ تشغيل الجهاز

* للزر نقطة بارزة .

** بمجرد فتح حجيرة الأسطوانة، سيتحول المسار الذي يبدأ الاستماع منه إلى بداية المسار الأول.

الاستماع الى أسطوانة صوتية مدمجة CD أو ملفات MP3

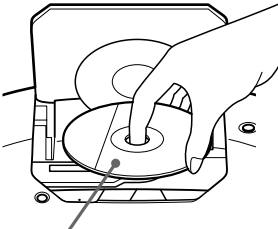


قم بتوصيل سلك التيار الرئيسي المزود (راجع صفحة ٢٣).



إضغط الزر CD.

1



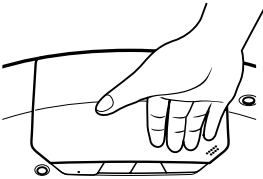
إضغط الزر **PUSH OPEN/CLOSE** إلى أسفل لفتح حجيرة الأسطوانة CD وضع الأسطوانة داخل الحجيرة.



2

بعيـث يكون الجانب الذي عليه البطاقة إلى أعلى

أغلق غطاء حجيرة الأسطوانة.



3

جدول المحتويات

العمليات الأساسية

الاستماع الى أسطوانة صوتية مدمجة CD أو ملفات MP3 ..	٤
الإستماع للراديو	٨
الاستماع الى الشريط	١٠
التسجيل على الشريط	١٢

مشغل الأسطوانات المدمجة CD

إستخدام شاشة العرض	١٤
تحديد مسار معين	١٥
الإستماع إلى المسارات بصورة متكررة (الإستماع المتكرر) ...	١٦
الاستماع الى المسارات بترتيب عشوائي (التشغيل العشوائي)	١٧
إنشاء برنامجك الخاص (التشغيل المبرمج)	١٧

جهاز الراديو

الضبط المسبق لمحطات الراديو	١٩
الاستماع الى محطات الراديو التي تم ضبطها مسبقاً	٢٠

المؤثر الصوتي

ضبط مؤثر الصوت	٢١
----------------------	----

المؤقت

النوم على أنغام الموسيقى	٢٢
--------------------------------	----

تركيب الجهاز

إختيار مصادر الطاقة	٢٣
---------------------------	----

معلومات إضافية

التدابير الوقائية	٢٥
تحري الخلل واصلاحه	٢٧
الصيانة	٢٩
المواصفات	٣٠
حول ملفات "MP3"	٣١
الفهرس	٣٣

تحذير

لتفادي مخاطر الحريق والصدمة الكهربائية، لا تعرض الجهاز للمطر أو الرطوبة.

لتفادي الصدمة الكهربائية، لا تفتح الهيكل، أسند عمليات الصيانة للأشخاص المؤهلين فقط.

تحذير

لا تعتمد إلى تركيب الجهاز في أماكن ضيقة، مثل خزائن الكتب أو الخزائن المجهزة داخل جدران المنازل.

لتفادي مخاطر الحريق أو الصدمة الكهربائية، لا تعتمد إلى وضع أشياء مملوءة بالسوائل، مثل الزهريات، على الجهاز.

CD Radio Cassette-Corder

AR

تعليمات التشغيل صفحة ٢ AR

CFD-S20CP

© 2004 Sony Corporation

Download from Www.Somanuals.com. All Manuals Search And Download.

Free Manuals Download Website

<http://myh66.com>

<http://usermanuals.us>

<http://www.somanuals.com>

<http://www.4manuals.cc>

<http://www.manual-lib.com>

<http://www.404manual.com>

<http://www.luxmanual.com>

<http://aubethermostatmanual.com>

Golf course search by state

<http://golfingnear.com>

Email search by domain

<http://emailbydomain.com>

Auto manuals search

<http://auto.somanuals.com>

TV manuals search

<http://tv.somanuals.com>