

# FM/AM Digital Media Player

---

Operating Instructions GB

---

Manual de instrucciones ES

## Owner's Record

The model and serial numbers are located on the bottom of the unit.  
Record the serial number in the space provided below.  
Refer to these numbers whenever you call upon your Sony dealer  
regarding this product.

Model No. DSX-A30 Serial No. \_\_\_\_\_

To cancel the demonstration (DEMO) display, see page 5.  
Para cancelar la pantalla de demostración (DEMO), consulte la  
página 4.

Be sure to install this unit in the dashboard of the car for safety. For installation and connections, see the supplied installation/connections manual.

## Warning

This equipment has been tested and found to comply with the limits for a Class B digital device, pursuant to Part 15 of the FCC Rules.

These limits are designed to provide reasonable protection against harmful interference in a residential installation. This equipment generates, uses, and can radiate radio frequency energy and, if not installed and used in accordance with the instructions, may cause harmful interference to radio communications. However, there is no guarantee that interference will not occur in a particular installation. If this equipment does cause harmful interference to radio or television reception, which can be determined by turning the equipment off and on, the user is encouraged to try to correct the interference by one or more of the following measures:

- Reorient or relocate the receiving antenna.
- Increase the separation between the equipment and receiver.
- Connect the equipment into an outlet on a circuit different from that to which the receiver is connected.
- Consult the dealer or an experienced radio/TV technician for help.

You are cautioned that any changes or modifications not expressly approved in this manual could void your authority to operate this equipment.

### **For the State of California, USA only**

Perchlorate Material – special handling may apply, See [www.dtsc.ca.gov/hazardouswaste/perchlorate](http://www.dtsc.ca.gov/hazardouswaste/perchlorate)  
Perchlorate Material: Lithium battery contains perchlorate

Windows Media is either a registered trademark or trademark of Microsoft Corporation in the United States and/or other countries.

This product is protected by certain intellectual property rights of Microsoft Corporation. Use or distribution of such technology outside of this product is prohibited without a license from Microsoft or an authorized Microsoft subsidiary.

MPEG Layer-3 audio coding technology and patents licensed from Fraunhofer IIS and Thomson.

Android is a trademark of Google Inc. Use of this trademark is subject to Google Permissions.

### **Note on the lithium battery**

Do not expose the battery to excessive heat such as direct sunlight, fire or the like.

**Warning if your car's ignition has no ACC position**

Be sure to set the Auto Off function (page 17). The unit will shut off completely and automatically in the set time after the unit is turned off, which prevents battery drain. If you do not set the Auto Off function, press and hold **(SOURCE/OFF)** until the display disappears each time you turn the ignition off.

# Table of contents

Getting Started . . . . .	5
Canceling the DEMO mode . . . . .	5
Setting the clock . . . . .	5
Detaching the front panel . . . . .	5
Location of controls . . . . .	7
Main unit . . . . .	7
RM-X211 Remote commander . . . . .	9
Radio . . . . .	10
Storing and receiving stations . . . . .	10
RDS . . . . .	10
USB devices . . . . .	12
Playing back a USB device . . . . .	12
Searching and playing tracks . . . . .	13
Playing tracks in various modes . . . . .	13
Searching a track by name — Quick-BrowZer™ . . . . .	14
Sound Settings and Setup Menu . . . . .	15
Changing the sound settings . . . . .	15
Enjoying sophisticated sound functions . . . . .	15
Adjusting setup items . . . . .	16
Using optional equipment . . . . .	17
Auxiliary audio equipment . . . . .	17
Additional Information . . . . .	18
Precautions . . . . .	18
Maintenance . . . . .	19
Specifications . . . . .	19
Troubleshooting . . . . .	20

## Getting Started

### Canceling the DEMO mode

You can cancel the demonstration display which appears during turning off.

- 1 Press and hold the select button.**  
The setup display appears.
- 2 Rotate the control dial until “DEMO” appears, then press it.**
- 3 Rotate the control dial to select “DEMO-OFF,” then press it.**  
The setting is complete.
- 4 Press ↩ (BACK).**  
The display returns to normal reception/play mode.

### Setting the clock

The clock uses a 12-hour digital indication.

- 1 Press and hold the select button.**  
The setup display appears.
- 2 Rotate the control dial until “CLOCK-ADJ” appears, then press it.**  
The hour indication flashes.
- 3 Rotate the control dial to set the hour and minute.**  
To move the digital indication, press **(SEEK) -/+.**


- 4 After setting the minute, press the select button.**

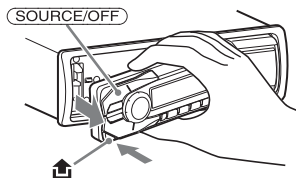
The setup is complete and the clock starts.

To display the clock, press **(DSPL)**.

### Detaching the front panel

You can detach the front panel of this unit to prevent theft.

- 1 Press and hold **(SOURCE/OFF)**.**  
The unit is turned off.
- 2 Press , then pull it off towards you.**



#### Caution alarm

If you turn the ignition switch to the OFF position without detaching the front panel, the caution alarm will sound for a few seconds. The alarm will only sound if the built-in amplifier is used.

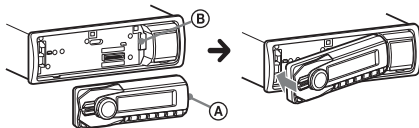
#### Note

Do not subject the front panel to heat/high temperature or moisture. Avoid leaving it in a parked car or on a dashboard/rear tray.

---

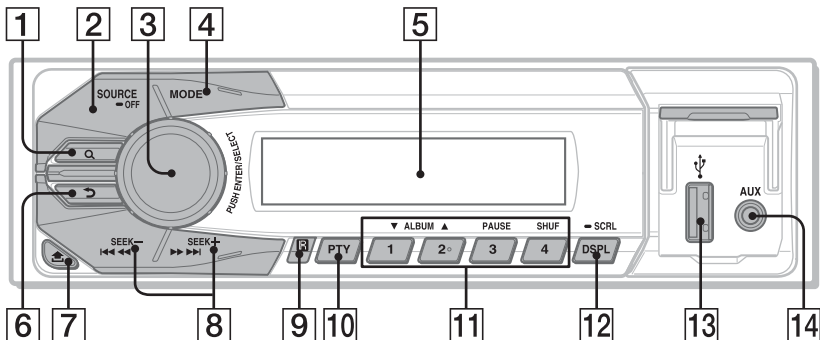
## Attaching the front panel

Engage part **(A)** of the front panel with part **(B)** of the unit, as illustrated, and push the left side into position until it clicks.



# Location of controls

## Main unit



This section contains instructions on the location of controls and basic operations.

- 1 Q (BROWSE) button** page 14  
To enter the Quick-BrowZer™ mode.
- 2 SOURCE/OFF button**  
Press to turn on the power/change the source (Radio/USB/AUX).  
Press and hold for 1 second to turn off the power.  
Press and hold for more than 2 seconds to turn off the power and the display disappears.

- 3 Control dial/select button** page 15, 16  
To adjust volume (rotate); enter sound setting (press); enter menu (press and hold); select setup items (press and rotate).
- 4 MODE button** page 10  
Press to select the radio band (FM/AM).
- 5 Display window**
- 6 ↶ (BACK) button**  
Press to return to the previous display.
- 7 📄 (front panel release) button** page 5

## 8 SEEK -/+ buttons

### Radio:

To tune in stations automatically (press); find a station manually (press and hold).

### USB:

To skip tracks (press); skip tracks continuously (press, then press again within about 1 second and hold); reverse/fast-forward a track (press and hold).

## 9 Receptor for the remote commander

## 10 PTY button page 11

To select PTY in RDS.

## 11 Number buttons

### Radio:

To receive stored stations (press); store stations (press and hold).

### USB:

① / ②\*: **ALBUM ▼/▲** (during MP3/WMA/AAC playback)

To skip albums (press); skip albums continuously (press and hold).

③: **PAUSE**

④: **SHUF** page 13

## 12 DSPL (display)/SCRL (scroll) button page 11, 12

To change display items (press); scroll the display item (press and hold).

## 13 USB port page 12

## 14 AUX input jack page 17

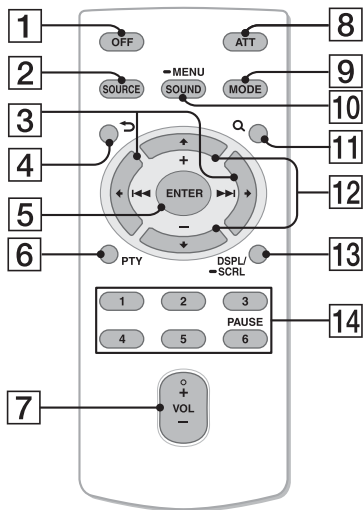
\* This button has a tactile dot.

## Note

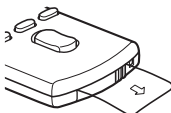
If the unit is turned off and the display disappears, the unit cannot be operated with the remote commander unless **SOURCE/OFF** on the unit is pressed.



# RM-X211 Remote commander



Remove the insulation film before use.



## 1 OFF button

To turn off the power (press); turn off the power and display disappear (press and hold).

## 2 SOURCE button

To turn on the power; change the source (Radio/USB/AUX).

## 3 ◀(◀◀)/▶(▶▶) buttons

To control Radio/USB, the same as (SEEK) -/+ on the unit. Setup, sound setting, etc., can be operated by ◀▶.

## 4 ↶ (BACK) button

## 5 ENTER button

To apply a setting.

## 6 PTY button

## 7 VOL (volume) +/- button

## 8 ATT (attenuate) button

To attenuate the sound. To cancel, press again.

## 9 MODE button

Press to select the radio band (FM/AM).

## 10 SOUND/MENU button

To enter sound setting (press); enter menu (press and hold).

## 11 Q (BROWSE) button

## 12 ↑ (+)/↓ (-) buttons

To control USB, the same as (1)/(2) (ALBUM ▼/▲) on the unit. Setup, sound setting, etc., can be operated by ↑↓.

## 13 DSPL/SCRL button

## 14 Number buttons

To receive stored stations (press); store stations (press and hold). To pause playback (press (6)).

\* This button has a tactile dot.

# Radio

## Storing and receiving stations

### Caution

When tuning in stations while driving, use Best Tuning Memory (BTM) to prevent an accident.

### Storing automatically — BTM

- 1 Press **(SOURCE/OFF)** repeatedly until “TUNER” appears.

To change the band, press **(MODE)** repeatedly. You can select from FM1, FM2, FM3, AM1 or AM2.

- 2 Press and hold the select button.

The setup display appears.

- 3 Rotate the control dial until “BTM” appears, then press it.

The unit stores stations in order of frequency on the number buttons.

### Storing manually

- 1 While receiving the station that you want to store, press and hold a number button **(1 to 4)** on the main unit until “MEMORY” appears\*.

\* When the remote commander is used, the number buttons **(1 to 6)** are available.

### Receiving the stored stations

- 1 Select the band, then press a number button **(1 to 4)** on the main unit\*.

\* When the remote commander is used, the number buttons **(1 to 6)** are available.

### Tuning automatically

- 1 Select the band, then press **(SEEK) +/-** to search for the station.

Scanning stops when the unit receives a station. Repeat this procedure until the desired station is received.

### Tip

If you know the frequency of the station you want to listen to, press and hold **(SEEK) +/-** to locate the approximate frequency, then press **(SEEK) +/-** repeatedly to fine adjust to the desired frequency (manual tuning).

### RDS

FM stations with Radio Data System (RDS) service send inaudible digital information along with the regular radio program signal.

### Notes

- Depending on the country/region, not all RDS functions may be available.
- RDS will not work if the signal strength is too weak, or if the station you are tuned to is not transmitting RDS data.

## Changing display items

Press **(DSPL)**.

---

## Selecting PTY (Program Types)

Displays the currently received program type. Also searches your selected program type.

### 1 Press **(PTY)** during FM reception.

The current program type name appears if the station is transmitting PTY data.

### 2 Rotate the control dial until the desired program type appears, then press it.

The unit starts to search for a station broadcasting the selected program type.

## Type of programs

---

**NEWS** (News), **INFORM** (Information), **SPORTS** (Sports), **TALK** (Talk), **ROCK** (Rock), **CLS ROCK** (Classic Rock), **ADLT HIT** (Adult Hits), **SOFT RCK** (Soft Rock), **TOP 40** (Top 40), **COUNTRY** (Country), **OLDIES** (Oldies), **SOFT** (Soft), **NOSTALGA** (Nostalgia), **JAZZ** (Jazz), **CLASSICL** (Classical), **R AND B** (Rhythm and Blues), **SOFT R B** (Soft Rhythm and Blues), **LANGUAGE** (Foreign Language), **REL MUSC** (Religious Music), **REL TALK** (Religious Talk), **PERSNLTY** (Personality), **PUBLIC** (Public), **COLLEGE** (College), **WEATHER** (Weather)

---

### Note

You may receive a different radio program from the one you select.

---

## Setting CT (Clock Time)

The CT data from the RDS transmission sets the clock.

### 1 Set “CT-ON” in setup (page 16).

### Note

The CT function may not work properly even though an RDS station is being received.

## USB devices

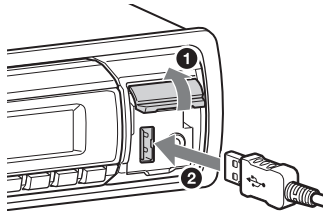
- MSC (Mass Storage Class)-type USB devices compliant with the USB standard can be used.
- Backup of data in a USB device is recommended.
- MSC (Mass Storage Class)-type Android™ Phone compliant with the USB standard can be used. Depending on the Android Phone, setting the USB connection mode to MSC is required. (Complete this setting within 20 seconds after connecting the device. Otherwise the unit cannot recognize the device.)

### Notes

- Connect the USB device after starting the engine. Depending on the USB device, malfunction or damage may occur if it is connected before starting the engine.
- Corresponding codec is MP3 (.mp3), WMA (.wma) and AAC (.m4a).
- For details on the compatibility of your USB device, visit the support site on the back cover.

## Playing back a USB device

- 1 Open the USB cover, then connect the USB device to the USB port.



Playback starts.

If a USB device is already connected, to start playback, press **(SOURCE/OFF)** repeatedly until “USB” appears.

To stop playback, press and hold **(SOURCE/OFF)** for 1 second.

To remove the USB device, stop the USB playback, then remove the USB device.

### Notes

- Do not use USB devices so large or heavy that they may fall down due to vibration, or cause a loose connection.
- Do not detach the front panel during playback of the USB device, otherwise USB data may be damaged.

## Changing display items

Press **(DSPL)**.

Displayed items may differ depending on the USB device, recording format and settings.

## Notes

- The maximum number of displayable data is as follows.
  - folders (albums): 128
  - files (tracks) per folder: 500
- It may take time for playback to begin, depending on the amount of recorded data.
- During playback or fast-forward/reverse of a VBR (Variable Bit Rate) MP3/WMA/AAC file, elapsed playing time may not display accurately.
- Playback of the following MP3/WMA/AAC files is not supported.
  - lossless compression
  - copyright-protected
  - DRM (Digital Rights Management) files
  - Multi-channel audio files

## Searching and playing tracks

### Playing tracks in various modes

You can listen to tracks repeatedly (repeat play) or in random order (shuffle play). Available play modes differ depending on the selected sound source.

- 1** During playback, press and hold the select button.
- 2** Rotate the control dial to select “REPEAT,” then press it.
- 3** Rotate the control dial to select the setting, then press it.
- 4** Press **↶** (BACK).

#### Repeat play

Select	To play
<b>REP-OFF</b>	track in normal order (Normal play).
<b>REP-TRK</b>	track repeatedly.
<b>REP-ALB</b>	album repeatedly.

- 1** During playback, press **(4)** (SHUF) repeatedly until the desired play mode appears.  
Playback in selected play mode may take time to start.

## Shuffle play


Select	To play
ALBUM	album in random order.
DEVICE	device in random order.
OFF	track in normal order (Normal play).

## Searching a track by name — Quick-BrowZer™

You can search for a track in a USB device easily by category.

### 1 Press Q (BROWSE)\*.

The unit enters the Quick-BrowZer mode, and the list of search categories appears.

When the track list appears, press  (BACK) repeatedly until the desired search category appears.

\* During playback, press Q (BROWSE) for more than 2 seconds to directly return to the beginning of the category list.

### 2 Rotate the control dial to select the desired search category, then press it to confirm.

### 3 Repeat step 2 until the desired track is selected.

Playback starts.

To exit the Quick-BrowZer mode, press Q (BROWSE).

## Note

When entering the Quick-BrowZer mode, the repeat/shuffle setting is canceled.

## Searching by skip items

### — Jump mode

When many items are in a category, you can search the desired item quickly.

#### 1 Press + in Quick-BrowZer mode.

The item name will appear.

#### 2 Rotate the control dial to select the item near the one desired.



It skips in steps of 10% of the total item number.

#### 3 Press the select button.

The display returns to the Quick-BrowZer mode and the selected item appears.

#### 4 Rotate the control dial to select the desired item and press it.

Playback starts if the selected item is a track.

To cancel Jump mode, press  (BACK) or  -.

# Sound Settings and Setup Menu

## Changing the sound settings

### Adjusting the sound characteristics

- 1 During reception/playback, press the select button.
- 2 Rotate the control dial until the desired menu item appears, then press it.
- 3 Rotate the control dial to select the setting, then press it.
- 4 Press ↩ (BACK).

The following items can be set:

**EQ3 PRST** (EQ3 PRESET) (page 15)

**EQ3 LOW**\*<sup>1</sup> (page 16)

**EQ3 MID**\*<sup>1</sup> (page 16)

**EQ3 HIGH**\*<sup>1</sup> (page 16)

#### **BALANCE**

Adjusts the sound balance: “RIGHT-15 (R15)” – “CENTER (0)” – “LEFT-15 (L15).”

#### **FADER**

Adjusts the relative level: “FRONT-15 (F15)” – “CENTER (0)” – “REAR-15 (R15).”

#### **AUX VOL**\*<sup>2</sup> (AUX Volume level)

Adjusts the volume level for each connected auxiliary equipment: “+18 dB” – “0 dB” – “-8 dB.”

This setting negates the need to adjust the volume level between sources.

\*1 When EQ3 is activated (page 16).

\*2 When AUX source is activated (page 18).

## Enjoying sophisticated sound functions

### Selecting the sound quality — EQ3 Preset

You can select an equalizer curve from 7 equalizer curves (XPLOD, VOCAL, EDGE, CRUISE, SPACE, GRAVITY, CUSTOM or OFF).

- 1 During reception/playback, press the select button.
- 2 Rotate the control dial until “EQ3 PRST” appears, then press it.
- 3 Rotate the control dial until the desired equalizer curve appears, then press it.
- 4 Press ↩ (BACK).

To cancel the equalizer curve, select “OFF” in step 3.

### Tip

The equalizer curve setting can be memorized for each source.

---

## Customizing the equalizer curve — EQ3 Setting

“CUSTOM” of EQ3 allows you to make your own equalizer settings.

**1 Select a source, then press the select button.**

**2 Rotate the control dial until “EQ3 LOW,” “EQ3 MID” or “EQ3 HIGH” appears, then press it.**

**3 Rotate the control dial to adjust the selected item, then press it.**

The volume level is adjustable in 1 dB steps, from -10 dB to +10 dB.



Repeat steps 2 and 3 to adjust the equalizer curve.

To restore the factory-set equalizer curve, press and hold the select button before the setting is complete.

**4 Press ↵ (BACK).**

## Adjusting setup items

**1 Press and hold the select button.**

The setup display appears.

**2 Rotate the control dial until the desired item appears, then press it.**

**3 Rotate the control dial to select the setting, then press it\*.**

The setting is complete.

**4 Press ↵ (BACK).**

\* For CLOCK-ADJ and BTM settings, step 4 is not necessary.

The following items can be set depending on the source and setting:

---

**CLOCK-ADJ** (Clock Adjust) (page 5)

---

**CT** (Clock Time)

Activates the CT function: “ON,” “OFF” (page 11).

---

**BEEP**

Activates the beep sound: “ON,” “OFF.”

---

**CAUT ALM**<sup>\*1</sup> (Caution Alarm)

Activates the caution alarm: “ON,” “OFF” (page 5).

---

**AUX-A**<sup>\*1</sup> (AUX Audio)

Activates the AUX source display: “ON,” “OFF” (page 17).

---



---

## AUTO OFF

Shuts off automatically after a desired time when the unit is turned off: “NO,” “30S (Seconds),” “30M (Minutes),” “60M (Minutes).”

---

## DEMO (Demonstration)

Activates the demonstration: “ON,” “OFF.”

---

## DIMMER

Changes the display brightness: “ON,” “OFF.”

---

## AUTO SCR\*<sup>2</sup> (Auto Scroll)

Scrolls long items automatically: “ON,” “OFF.”

---

## REPEAT (page 13)

---

## LOUDNESS

Reinforces bass and treble for clear sound at low volume levels: “ON,” “OFF.”

---

## BTM (page 10)

---

\*1 When the unit is turned off.

\*2 When the USB is selected.

# Using optional equipment

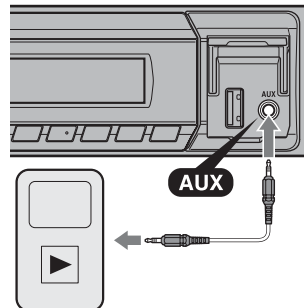
## Auxiliary audio equipment

By connecting an optional portable audio device to the AUX input jack (stereo mini jack) on the unit and then simply selecting the source, you can listen on your car speakers.

### Connecting the portable audio device

- 1 Turn off the portable audio device.
- 2 Turn down the volume on the unit.
- 3 Connect the portable audio device to the unit with a connecting cord (not supplied)\*.

\* Be sure to use a straight type plug.



## Adjusting the volume level

Be sure to adjust the volume for each connected audio device before playback.

- 1 Turn down the volume on the unit.
- 2 Press **(SOURCE/OFF)** repeatedly until “AUX” appears.
- 3 Start playback of the portable audio device at a moderate volume.
- 4 Set your usual listening volume on the unit.
- 5 Adjust the input level (page 15).

## Additional Information

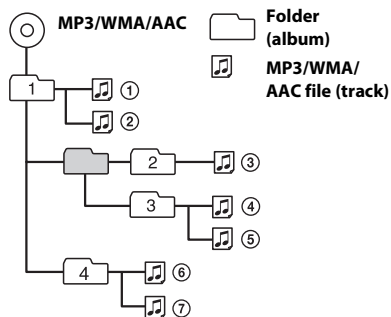
### Precautions

- Cool off the unit beforehand if your car has been parked in direct sunlight.
- Do not leave the front panel or audio devices brought in inside the car, or it may cause malfunction due to high temperature in direct sunlight.
- Power antenna (aerial) extends automatically.

### To maintain high sound quality

Do not splash liquid onto the unit.

## Playback order of MP3/WMA/AAC files

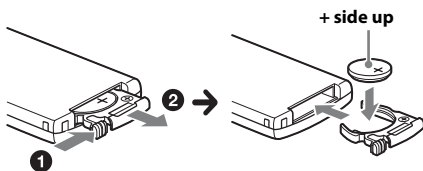


If you have any questions or problems concerning your unit that are not covered in this manual, consult your nearest Sony dealer.

## Maintenance

### Replacing the lithium battery of the remote commander

When the battery becomes weak, the range of the remote commander becomes shorter. Replace the battery with a new CR2025 lithium battery. Use of any other battery may present a risk of fire or explosion.



### Notes on the lithium battery

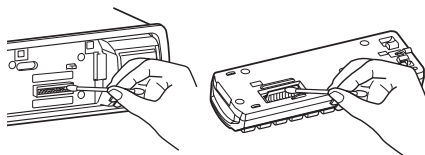
- Keep the lithium battery out of the reach of children. Should the battery be swallowed, immediately consult a doctor.
- Wipe the battery with a dry cloth to assure a good contact.
- Be sure to observe the correct polarity when installing the battery.
- Do not hold the battery with metallic tweezers, otherwise a short-circuit may occur.

### WARNING

Battery may explode if mistreated. Do not recharge, disassemble, or dispose of in fire.

### Cleaning the connectors

The unit may not function properly if the connectors between the unit and the front panel are not clean. In order to prevent this, detach the front panel (page 5) and clean the connectors with a cotton swab. Do not apply too much force. Otherwise, the connectors may be damaged.



### Notes

- For safety, turn off the ignition before cleaning the connectors, and remove the key from the ignition switch.
- Never touch the connectors directly with your fingers or with any metal device.

## Specifications

### AUDIO POWER SPECIFICATIONS



CEA2006 Standard  
Power Output: 17 Watts RMS  $\times$  4 at  
4 Ohms  $<$  1% THD+N  
SN Ratio: 80 dBA  
(reference: 1 Watt into 4 Ohms)

### Tuner section

#### FM

**Tuning range:** 87.5 – 107.9 MHz

**Antenna (aerial) terminal:**

External antenna (aerial) connector

**Intermediate frequency:** 25 kHz

**Usable sensitivity:** 8 dBf

**Selectivity:** 75 dB at 400 kHz  
**Signal-to-noise ratio:** 80 dB (stereo)  
**Separation:** 50 dB at 1 kHz  
**Frequency response:** 20 – 15,000 Hz

## AM

**Tuning range:** 530 – 1,710 kHz  
**Antenna (aerial) terminal:**  
External antenna (aerial) connector  
**Intermediate frequency:**  
9,115 kHz or 9,125 kHz/5 kHz  
**Sensitivity:** 26  $\mu$ V

## USB Player section

**Interface:** USB (Full-speed)  
**Maximum current:** 500 mA

## Power amplifier section

**Output:** Speaker outputs  
**Speaker impedance:** 4 – 8 ohms  
**Maximum power output:** 50 W  $\times$  4 (at 4 ohms)

## General

### Outputs:

Audio outputs terminal (rear)  
Power antenna (aerial)/Power amplifier control terminal (REM OUT)

### Inputs:

Remote controller input terminal  
Antenna (aerial) input terminal  
AUX input jack (stereo mini jack)  
USB port

**Power requirements:** 12 V DC car battery (negative ground (earth))

**Dimensions:** Approx. 178  $\times$  50  $\times$  120 mm  
(7 <sup>1</sup>/<sub>8</sub>  $\times$  2  $\times$  4 <sup>7</sup>/<sub>8</sub> in) (w/h/d)

**Mounting dimensions:** Approx. 182  $\times$  53  $\times$  103 mm  
(7 <sup>1</sup>/<sub>4</sub>  $\times$  2 <sup>1</sup>/<sub>8</sub>  $\times$  4 <sup>1</sup>/<sub>8</sub> in) (w/h/d)

**Mass:** Approx. 0.7 kg (1 lb 9 oz)

### Supplied accessories:

Remote commander: RM-X211  
Parts for installation and connections (1 set)

Your dealer may not handle some of the above listed accessories. Please ask the dealer for detailed information.

Design and specifications are subject to change without notice.

## Troubleshooting

The following checklist will help you remedy problems you may encounter with your unit. Before going through the checklist below, check the connection and operating procedures.

For details on using the fuse and removing the unit from the dashboard, refer to the installation/connections manual supplied with this unit.

If the problem is not solved, visit the support site on the back cover.

## General

### No power is being supplied to the unit.

- Check the connection or fuse.
- If the unit is turned off and the display disappears, it cannot be operated with the remote commander.
  - Turn on the unit.

### The power antenna (aerial) does not extend.

- The power antenna (aerial) does not have a relay box.

### No sound.

- The ATT function is activated.
- The position of the fader control “FADER” is not set for a 2-speaker system.

### No beep sound.

- The beep sound is canceled (page 16).
- An optional power amplifier is connected and you are not using the built-in amplifier.

---

**The contents of the memory have been erased.**

- The power supply lead or battery has been disconnected or it is not connected properly.

---

**Stored stations and correct time are erased.**

**The fuse has blown.**

**Makes noise when the position of the ignition is switched.**

- The leads are not matched correctly with the car's accessory power connector.

---

**During playback or reception, demonstration mode starts.**

- If no operation is performed for 5 minutes with "DEMO-ON" set, demonstration mode starts.
  - Set "DEMO-OFF" (page 17).

---

**The display disappears from/does not appear in the display window.**

- The dimmer is set to "DIM-ON" (page 17).
- The display disappears if you press and hold **(SOURCE/OFF)**.
  - Press **(SOURCE/OFF)** on the unit until the display appears.
- The connectors are dirty (page 19).

---

**The Auto Off function does not operate.**

- The unit is turned on. The Auto Off function activates after turning off the unit.
  - Turn off the unit.

## Radio reception

**The stations cannot be received.**

**The sound is hampered by noises.**

- The connection is not correct.
  - Connect an REM OUT lead (blue/white striped) or accessory power supply lead (red) to the power supply lead of a car's antenna (aerial) booster (only when your car has

built-in radio antenna (aerial) in the rear/side glass).

- Check the connection of the car antenna (aerial).
- If the auto antenna (aerial) will not go up, check the connection of the power antenna (aerial) control lead.

---

**Preset tuning is not possible.**

- Store the correct frequency in the memory.
- The broadcast signal is too weak.

---

**Automatic tuning is not possible.**

- The broadcast signal is too weak.
  - Perform manual tuning.

## RDS

**PTY displays "-------."**

- The current station is not an RDS station.
- RDS data has not been received.
- The station does not specify the program type.

## USB playback

**You cannot play back items via a USB hub.**

- This unit cannot recognize USB devices via a USB hub.

---

**Cannot play back items.**

- A USB device does not work.
  - Reconnect it.

---

**The USB device takes longer to play back.**

- The USB device contains files with a complicated tree structure.

---

**The sound is intermittent.**

- The sound may be intermittent at a high-bit-rate of more than 320 kbps.

---

## Error displays/Messages

---

### CHECKING

- The unit is confirming the connection of a USB device.
  - Wait until confirming the connection is finished.

---

### ERROR

- There may be an internal malfunction.
  - Press **(SOURCE/OFF)** for more than 2 seconds (the display disappears), then press **(SOURCE/OFF)** again.

---

### ERROR-01

- There may be an internal malfunction.
  - Check the connection. If the error indication remains on in the display, consult your nearest Sony dealer.
- The connection of speakers/amplifiers is incorrect.
  - See the installation/connections manual of this model to check the connection.

---

### ERROR-99

- There may be an internal malfunction.
  - Press **(SOURCE/OFF)** for more than 2 seconds (the display disappears), then press **(SOURCE/OFF)** again. If the error indication remains on in the display, consult your nearest Sony dealer.

---

### NO MUSIC

- The USB device does not contain a music file.
  - Connect a USB device with a music file in it.

---

### NO NAME

- An album/artist/track name is not written in the USB.

---

### NO SUPRT (Not Supported)

- USB hub is not supported on this unit.
- The connected USB device is not supported.
  - For details on the compatibility of your USB device, visit the support site.

---

### NO USB

- USB is selected as source without a USB device connected. A USB device or a USB cable has been disconnected during playback.
  - Be sure to connect a USB device and USB cable.

---

### OVERLOAD

- USB device is overloaded.
  - Disconnect the USB device, then change the source by pressing **(SOURCE/OFF)**.
  - Indicates that the USB device is out of order, or an unsupported device is connected.

---

### READ

- The unit is reading all track and album information on the USB device.
  - Wait until reading is complete and playback starts automatically. Depending on the USB device structure, it may take more than a minute.

If these solutions do not help improve the situation, consult your nearest Sony dealer.



Asegúrese de instalar esta unidad en el tablero del automóvil por razones de seguridad. Para realizar la instalación y las conexiones, consulte el manual de instalación y conexiones suministrado.

Windows Media es una marca comercial registrada o una marca comercial de Microsoft Corporation en los EE. UU. y otros países.

Este producto está protegido por los derechos de propiedad intelectual de Microsoft Corporation. Queda prohibido el uso o la distribución de esta tecnología fuera de este producto si no se dispone de una licencia de Microsoft o una división autorizada de Microsoft.

Tecnología de codificación de audio MPEG Layer-3 y patentes bajo licencia de Fraunhofer IIS y Thomson.

Android es una marca comercial de Google Inc. El uso de esta marca comercial está sujeto a Google Permissions.

### **Nota sobre la pila de litio**

No exponga la pila a fuentes de calor excesivo como luz solar directa, fuego o similar.

### **Advertencia: si el encendido del automóvil no dispone de una posición ACC**

Asegúrese de ajustar la función de desconexión automática (página 17). La unidad se apagará completa y automáticamente en el tiempo establecido después de apagarla, lo cual evita que se agote la batería. Si no ajusta la función de desconexión automática, mantenga presionado **(SOURCE/OFF)** hasta que se apague la pantalla cada vez que apague el motor.



# Tabla de contenido

Procedimientos iniciales . . . . .	4
Cancelación del modo DEMO . . . . .	4
Ajuste del reloj . . . . .	4
Extracción del panel frontal . . . . .	4
Ubicación de los controles . . . . .	6
Unidad principal. . . . .	6
Control remoto RM-X211. . . . .	8
Radio . . . . .	9
Almacenamiento y recepción de emisoras . . . . .	9
RDS. . . . .	10
Dispositivos USB . . . . .	11
Reproducción de un dispositivo USB . . . . .	12
Búsqueda y reproducción de pistas . . . . .	13
Reproducción de pistas en varios modos . . . . .	13
Búsqueda de una pista por nombre — Quick-BrowZer™ . . . . .	14
Ajustes de sonido y Menú de configuración . . . . .	15
Cambio de los ajustes de sonido. . . . .	15
Uso de funciones de sonido sofisticadas. . . . .	15
Ajuste de los elementos de configuración. . . . .	16
Uso de equipo opcional. . . . .	17
Equipo de audio auxiliar . . . . .	17
Información complementaria. . . . .	18
Precauciones . . . . .	18
Mantenimiento . . . . .	19
Especificaciones . . . . .	19
Solución de problemas. . . . .	20

## Procedimientos iniciales

### Cancelación del modo DEMO

Es posible cancelar la pantalla de demostración que aparece durante el apagado.

- 1 Mantenga presionado el botón de selección.**  
Aparecerá la pantalla de ajustes.
- 2 Gire el selector de control hasta que aparezca “DEMO” y, a continuación, presiónelo.**
- 3 Gire el selector de control para seleccionar “DEMO-OFF” y, a continuación, presiónelo.**  
El ajuste finalizó.
- 4 Presione ↵ (BACK).**  
La pantalla vuelve al modo de recepción/reproducción normal.

### Ajuste del reloj

El reloj emplea una indicación digital de 12 horas.

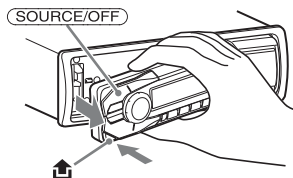
- 1 Mantenga presionado el botón de selección.**  
Aparecerá la pantalla de ajustes.
- 2 Gire el selector de control hasta que aparezca “CLOCK-ADJ” y, a continuación, presiónelo.**  
La indicación de la hora parpadea.
- 3 Gire el selector de control para ajustar la hora y los minutos.**  
Para mover la indicación digital, presione (SEEK) -/+.
- 4 Una vez ajustados los minutos, presione el botón de selección.**  
El ajuste se completa y el reloj se pone en funcionamiento.

Presione (DSPL) para que aparezca el reloj.

### Extracción del panel frontal

Es posible extraer el panel frontal de la unidad para evitar que la roben.

- 1 Mantenga presionado (SOURCE/OFF).**  
La unidad se apagará.
- 2 Presione ↕ y, a continuación, extraiga el panel frontal hacia usted.**



## Alarma de precaución

Si gira el interruptor de la llave de encendido hasta la posición OFF sin haber extraído el panel frontal, la alarma de precaución sonará durante unos segundos. La alarma sonará solamente si se utiliza el amplificador incorporado.

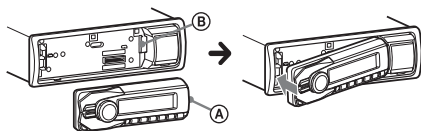
### Nota

No someta el panel frontal al calor ni a temperaturas altas o excesiva humedad. Evite dejarlo en un automóvil estacionado o sobre el tablero o la bandeja trasera.

---

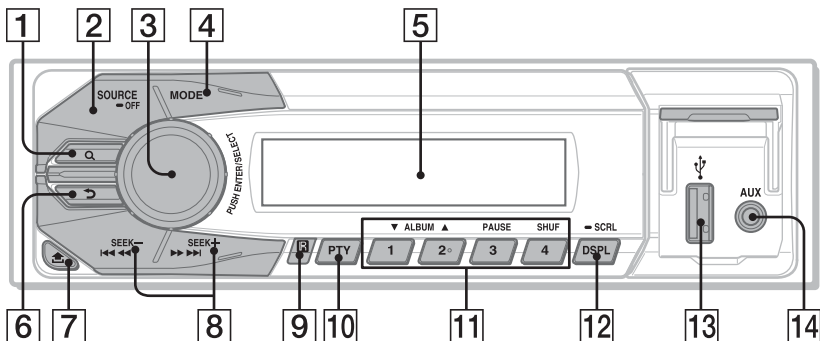
## Colocación del panel frontal

Fije la parte (A) del panel frontal en la parte (B) de la unidad, tal como muestra la ilustración, y presione el lado izquierdo hasta que encaje.



# Ubicación de los controles

## Unidad principal



Este apartado contiene instrucciones acerca de la ubicación de los controles y las operaciones básicas.

**1** Botón **Q** (**BROWSE**) página 14  
Para acceder al modo Quick-BrowZer™.

**2** Botón **SOURCE/OFF**  
Presiónelo para encender la unidad o cambiar la fuente (Radio/USB/AUX). Manténgalo presionado durante 1 segundo para apagar la unidad. Manténgalo presionado durante más de 2 segundos para apagar la unidad y la pantalla desaparece.

**3** Selector de control/botón de selección página 15, 16  
Para ajustar el volumen (girar); para realizar un ajuste de sonido (presionar); para acceder al menú (mantener presionado); para seleccionar elementos de configuración (presionar y girar).

**4** Botón **MODE** página 9  
Presione este botón para seleccionar la banda de radio (FM/AM).

**5** Visualizador

**6** Botón **↩** (**BACK**)  
Presione este botón para volver a la pantalla anterior.

**7** Botón **⏪** (**liberación del panel frontal**) página 4

## 8 Botones SEEK +/-

### Radio:

Para sintonizar emisoras en forma automática (presionar); para localizar una emisora en forma manual (mantener presionado).

### USB:

Para omitir pistas (presionar); para omitir pistas en forma continua (presionar y volver a presionar al cabo de 1 segundo y mantener presionado); para retroceder o avanzar una pista rápidamente (mantener presionado).

## 9 Receptor del control remoto

## 10 Botón PTY página 10

Para seleccionar PTY en RDS.

## 11 Botones numéricos

### Radio:

Para recibir las emisoras almacenadas (presionar); para almacenar emisoras (mantener presionado).

### USB:

① / ②\*: **ALBUM ▼/▲** (durante la reproducción de MP3/WMA/AAC)

Para omitir álbumes (presionar); omitir álbumes continuamente (mantener presionado).

③: **PAUSE**

④: **SHUF** página 13

## 12 Botón DSPL (pantalla)/SCRL (desplazamiento) página 10, 12

Para cambiar los elementos de pantalla (presionar); para desplazar el elemento de la pantalla (mantener presionado).

## 13 Puerto USB página 12

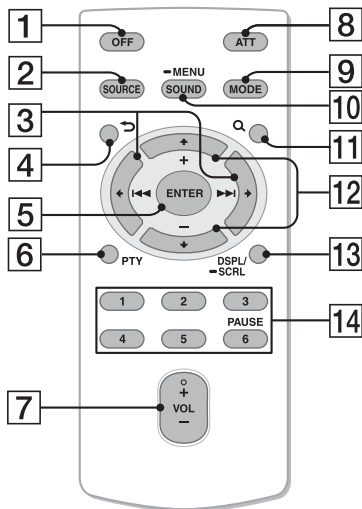
## 14 Toma de entrada AUX página 17

\* Este botón tiene un punto sensible al tacto.

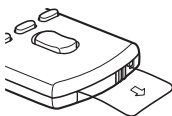
### Nota

Si la unidad está apagada y la pantalla desaparece, no se puede operar con el control remoto, a menos que el botón **(SOURCE/OFF)** de la unidad esté presionado.

## Control remoto RM-X211



Retire la película de aislamiento antes de usar la unidad.



### 1 Botón OFF

Para apagar la alimentación (presionar); para apagar la alimentación y la pantalla desaparece (mantener presionado).

### 2 Botón SOURCE

Para encender la unidad; cambiar la fuente (Radio/USB/AUX).

### 3 Botones ◀ (◀◀)/▶ (▶▶)

Para controlar la Radio/USB, de la misma manera que con (SEEK) -/+ en la unidad.

Es posible ajustar la configuración, los ajustes de sonido, etc. mediante ◀▶.

### 4 Botón ↶ (BACK)

### 5 Botón ENTER

Para aplicar un ajuste.

### 6 Botón PTY

### 7 Botón VOL (volumen) +/-

### 8 Botón ATT (atenuar)

Para atenuar el sonido. Para cancelar esta función, vuelva a presionarlo.

### 9 Botón MODE

Presione este botón para seleccionar la banda de radio (FM/AM).

### 10 Botón SOUND/MENU

Para realizar un ajuste de sonido (presionar); para acceder al menú (mantener presionado).

### 11 Botón Q (BROWSE)

### 12 Botones ↑(+)/↓(-)

Para controlar el USB, al igual que (1)/(2) (ALBUM ▼/▲) en la unidad. Es posible ajustar la configuración, los ajustes de sonido, etc. mediante ↑↓.

### 13 Botón DSPL/SCRL

### 14 Botones numéricos

Para recibir las emisoras almacenadas (presionar); para almacenar emisoras (mantener presionado). Para pausar la reproducción (presionar (6)).

\* Este botón tiene un punto sensible al tacto.

## Radio

### Almacenamiento y recepción de emisoras

#### Precaución

Para sintonizar emisoras mientras maneja, utilice la función BTM (Memoria de la mejor sintonía) para evitar accidentes.

#### Almacenamiento automático — BTM

- 1 Presione **(SOURCE/OFF)** varias veces hasta que aparezca **“TUNER”**.

Para cambiar de banda, presione **(MODE)** varias veces. Puede seleccionar entre FM1, FM2, FM3, AM1 y AM2.

- 2 Mantenga presionado el botón de selección.

Aparecerá la pantalla de ajustes.

- 3 Gire el selector de control hasta que aparezca **“BTM”** y, a continuación, presiónelo.

La unidad almacena las emisoras en el orden de frecuencia en los botones numéricos.

#### Almacenamiento manual

- 1 Mientras recibe la emisora que desea almacenar, mantenga presionado un botón numérico (de **(1)** a **(4)**) en la unidad principal hasta que aparezca **“MEMORY”**\*.

\* Cuando utilice el control remoto, los botones numéricos del **(1)** al **(6)** estarán disponibles.

#### Recepción de las emisoras almacenadas

- 1 Seleccione la banda y, a continuación, presione un botón numérico (de **(1)** a **(4)**) en la unidad principal\*.

\* Cuando utilice el control remoto, los botones numéricos del **(1)** al **(6)** estarán disponibles.

---

## Sintonización automática

**1** Seleccione la banda y, a continuación, presione **(SEEK)** +/- para buscar la emisora.

La búsqueda se detiene cuando la unidad recibe una emisora. Repita este procedimiento hasta recibir la emisora deseada.

### Sugerencia

Si conoce la frecuencia de la emisora que desea escuchar, mantenga presionado **(SEEK)** +/- para localizar la frecuencia aproximada y, a continuación, presione **(SEEK)** +/- varias veces para ajustar la frecuencia deseada con mayor precisión (sintonización manual).

## RDS

Las emisoras de radio FM que tienen el servicio de Sistema de datos de radio (RDS) envían información digital inaudible junto a la señal habitual del programa de radio.

### Notas

- Dependiendo del país o región, puede que no estén disponibles todas las funciones RDS.
- RDS no funcionará si la intensidad de la señal es muy débil o si la emisora que sintonizó no transmite datos RDS.

### Cambio de elementos de pantalla

Presione **(DSPL)**.

---

## Selección de PTY (Tipos de programa)

Muestra el tipo de programa que se está recibiendo en ese momento. Asimismo, busca el tipo de programa seleccionado.

**1** Presione **(PTY)** durante la recepción de FM.

Si la estación está transmitiendo datos PTY, aparece el nombre del tipo de programa actual.

**2** Gire el selector de control hasta que aparezca el tipo de programa deseado y, a continuación, presiónelo.

La unidad comienza a buscar una estación que emita el tipo de programa seleccionado.

## Tipos de programas

---

**NEWS** (Noticias), **INFORM** (Información), **SPORTS** (Deportes), **TALK** (Conversación), **ROCK** (Rock), **CLS ROCK** (Rock clásico), **ADLT HIT** (Éxitos para el adulto), **SOFT RCK** (Rock suave), **TOP 40** (Top 40), **COUNTRY** (Country), **OLDIES** (Oldies), **SOFT JAZZ** (Jazz), **CLASSICL** (Clásico), **R AND B** (R&B), **SOFT R B** (R&B suave), **LANGUAGE** (Idiomas extranjeros), **REL MUSC** (Música religiosa), **REL TALK** (Conversación religiosa), **PERSNLTY** (Personalidad), **PUBLIC** (Público), **COLLEGE** (Universidad), **WEATHER** (Tiempo)

---



### Nota

Puede recibir un programa de radio distinto del que seleccionó.

---

## Ajuste de CT (Hora del reloj)

Los datos CT de la transmisión RDS ajustan el reloj.

### 1 Ajuste “CT-ON” en la configuración (página 16).

### Nota

Puede que la función CT no funcione adecuadamente a pesar de que se reciba una emisora RDS.

## Dispositivos USB

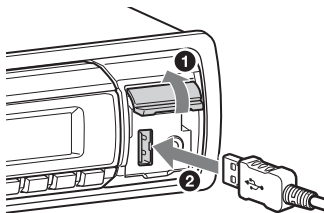
- Es posible utilizar dispositivos USB de almacenamiento masivo (MSC) que cumplan con el estándar USB.
- Se recomienda realizar una copia de seguridad de los datos almacenados en los dispositivos USB.
- Es posible utilizar teléfonos Android™ de MSC (almacenamiento masivo) que cumplan con el estándar USB. Según el tipo de teléfono Android, es posible que sea necesario configurar el modo de conexión USB a MSC. (Complete este ajuste dentro de los 20 segundos posteriores a la conexión del dispositivo. De lo contrario, la unidad principal no puede reconocer el dispositivo.)

### Notas

- Conecte el dispositivo USB después de encender el motor.  
En función del tipo de dispositivo USB, si lo conecta antes de encender el motor, es posible que el dispositivo USB no funcione correctamente o que se dañe.
- Los códecs correspondientes son MP3 (.mp3), WMA (.wma) y AAC (.m4a).
- Para obtener más información acerca de la compatibilidad del dispositivo USB, visite el sitio web de soporte técnico que figura en la cubierta posterior.

## Reproducción de un dispositivo USB

- 1 Abra la cubierta USB y, a continuación, conecte el dispositivo USB al puerto USB. Se inicia la reproducción.



Se inicia la reproducción.

Si ya hay un dispositivo USB conectado, presione **(SOURCE/OFF)** varias veces hasta que aparezca "USB" para empezar la reproducción.

Para detener la reproducción, mantenga presionado **(SOURCE/OFF)** durante 1 segundo.

Para retirar el dispositivo USB, detenga la reproducción USB y, a continuación, retire el dispositivo USB.

### Notas

- No utilice dispositivos USB demasiado grandes o pesados, ya que se podrían caer debido a la vibración, o bien, provocar una conexión deficiente.
- No extraiga el panel frontal durante la reproducción del dispositivo USB, ya que podrá dañar los datos del USB.

## Cambio de elementos de pantalla

Presione **(DSPL)**.

Los elementos que se muestran podrían variar en función del tipo de dispositivo USB, el formato de grabación y los ajustes.

### Notas

- El número máximo de datos que se pueden visualizar es el siguiente.
  - carpetas (álbumes): 128
  - archivos (pistas) por carpeta: 500
- Es posible que el inicio de la reproducción demore un poco, en función de la cantidad de datos grabados.
- Durante la reproducción de un archivo MP3/WMA/AAC de VBR (Velocidad de bits variable) o al avanzar o retroceder rápidamente, es posible que el tiempo de reproducción transcurrido no se muestre con precisión.
- No es posible reproducir los archivos MP3/WMA/AAC que se indican a continuación.
  - archivos con formato de compresión sin pérdida
  - archivos protegidos por derechos de autor
  - archivos DRM (Gestión de derechos digitales)
  - archivos de audio de canales múltiples

# Búsqueda y reproducción de pistas

## Reproducción de pistas en varios modos

Puede escuchar las pistas repetidamente (reproducción repetida) o en orden aleatorio (reproducción aleatoria). Los modos de reproducción disponibles varían en función de la fuente de sonido seleccionada.

- 1 Durante la reproducción, mantenga presionado el botón de selección.**
- 2 Gire el selector de control para seleccionar “REPEAT” y, a continuación, presiónelo.**
- 3 Gire el selector de control para seleccionar el ajuste y, a continuación, presiónelo.**
- 4 Presione ↩ (BACK).**

### Reproducción repetida

Seleccione	Para reproducir
<b>REP-OFF</b>	pistas en orden normal (Reproducción normal).
<b>REP-TRK</b>	pistas en forma repetida.
<b>REP-ALB</b>	álbumes en forma repetida.

- 1 Durante la reproducción, presione ④ (SHUF) varias veces hasta que aparezca el modo de reproducción deseado.**

Es posible que la reproducción en el modo de reproducción seleccionado se demore en iniciar.

### Reproducción aleatoria

Seleccione	Para reproducir
<b>ALBUM</b>	álbumes en orden aleatorio.
<b>DEVICE</b>	dispositivos en orden aleatorio.
<b>OFF</b>	pistas en orden normal (Reproducción normal).

## Búsqueda de una pista por nombre — Quick-BrowZer™

Puede buscar una pista fácilmente en un dispositivo USB por categorías.

### 1 Presione Q (BROWSE)\*.

La unidad accede al modo Quick-BrowZer y aparece la lista de categorías de búsqueda.

Cuando aparece la lista de pistas, presione ↵ (BACK) repetidamente hasta que aparezca la categoría de búsqueda deseada.

\* Durante la reproducción, presione Q (BROWSE) durante más de 2 segundo para volver directamente al inicio de la lista de categorías.

### 2 Gire el selector de control para seleccionar la categoría de búsqueda deseada y, a continuación, presiónelo para confirmarla.

### 3 Repita el paso 2 hasta que se seleccione la pista deseada.

Se inicia la reproducción.

Para salir del modo Quick-BrowZer, presione Q (BROWSE).

#### Nota

Al acceder al modo Quick-BrowZer, se cancela el ajuste de reproducción repetida/aleatoria.

## Búsqueda por omisión de elementos — Modo de omisión

Cuando varios elementos se encuentran dentro de una misma categoría, es posible encontrar el elemento deseado rápidamente.

### 1 Presione (SEEK) + en el modo Quick-BrowZer.

Aparecerá el nombre del elemento.

### 2 Gire el selector de control para seleccionar el elemento que se encuentra cerca del elemento deseado.

Omita en incrementos del 10% del número total de elementos.

### 3 Presione el botón de selección.

Vuelve a la pantalla del modo Quick-BrowZer y aparece el elemento seleccionado.

### 4 Gire el selector de control para seleccionar el elemento deseado y presiónelo.

Si el elemento seleccionado es una pista, empieza la reproducción.

Para cancelar el modo de Omisión, presione ↵ (BACK) o (SEEK) -.

# Ajustes de sonido y Menú de configuración

## Cambio de los ajustes de sonido

### Ajuste de las características de sonido

- 1** Durante la recepción/reproducción, presione el botón de selección.
- 2** Gire el selector de control hasta que aparezca el elemento de menú deseado y, a continuación, presiónelo.
- 3** Gire el selector de control para seleccionar el ajuste y, a continuación, presiónelo.
- 4** Presione **↩** (BACK).

Puede ajustar los elementos siguientes:

**EQ3 PRST** (EQ3 PRESET) (página 15)

**EQ3 LOW**\*<sup>1</sup> (página 16)

**EQ3 MID**\*<sup>1</sup> (página 16)

**EQ3 HIGH**\*<sup>1</sup> (página 16)

#### **BALANCE**

Permite ajustar el balance de sonido: “RIGHT-15 (R15)” – “CENTER (0)” – “LEFT-15 (L15)”.

#### **FADER**

Permite ajustar el nivel relativo: “FRONT-15 (F15)” – “CENTER (0)” – “REAR-15 (R15)”.

#### **AUX VOL**\*<sup>2</sup> (Nivel de volumen AUX)

Ajusta el nivel de volumen de cada equipo auxiliar conectado: “+18 dB” – “0 dB” – “-8 dB”.

Este ajuste elimina la necesidad de ajustar el nivel de volumen entre fuentes.

\*1 Si está activado EQ3 (página 16).

\*2 Si está activada la fuente AUX (página 18).

## Uso de funciones de sonido sofisticadas

### Selección de la calidad de sonido — Preajuste de EQ3

Puede seleccionar una curva de ecualizador entre 7 curvas de ecualizador (XPLOD, VOCAL, EDGE, CRUISE, SPACE, GRAVITY, CUSTOM u OFF).

- 1** Durante la recepción/reproducción, presione el botón de selección.
- 2** Gire el selector de control hasta que aparezca “EQ3 PRST” y, a continuación, presiónelo.
- 3** Gire el selector de control hasta que aparezca la curva de ecualizador deseada y, a continuación, presiónelo.

#### 4 Presione ↵ (BACK).

Para cancelar la curva de ecualizador, seleccione "OFF" en el paso 3.

#### Sugerencia

El ajuste de la curva de ecualizador se puede memorizar para cada fuente.

---

## Personalización de la curva de ecualizador — Ajustes de EQ3

"CUSTOM" de EQ3 le permite realizar sus propios ajustes en el ecualizador.

- 1 Seleccione una fuente y, a continuación, presione el botón de selección.
- 2 Gire el selector de control hasta que aparezca "EQ3 LOW", "EQ3 MID" o "EQ3 HIGH" y, a continuación, presiónelo.
- 3 Gire el selector de control para ajustar el elemento seleccionado y, a continuación, presiónelo.

El nivel de volumen puede ajustarse en intervalos de 1 dB entre -10 dB y +10 dB.



Repita los pasos 2 y 3 para ajustar la curva de ecualizador.

Para restaurar la curva de ecualizador ajustada en fábrica, mantenga presionado el botón de selección antes de que finalice el ajuste.

#### 4 Presione ↵ (BACK).

## Ajuste de los elementos de configuración

- 1 Mantenga presionado el botón de selección.  
Aparecerá la pantalla de ajustes.
- 2 Gire el selector de control hasta que aparezca el elemento deseado y, a continuación, presiónelo.
- 3 Gire el selector de control para seleccionar el ajuste y, a continuación, presiónelo\*.  
El ajuste finalizó.
- 4 Presione ↵ (BACK).

\* No es necesario realizar el paso 4 para los ajustes de CLOCK-ADJ y BTM.

Los siguientes elementos pueden ajustarse en función de la fuente y de la configuración:

---

### CLOCK-ADJ (Ajuste del reloj) (página 4)

#### CT (Hora del reloj)

Activa la función CT: "ON", "OFF" (página 11).

---

#### BEEP

Activa el sonido de los pitidos: "ON", "OFF".

---

---

**CAUT ALM**\*1 (Alarma de precaución)

Activa la alarma de precaución: "ON", "OFF" (página 5).

---

**AUX-A**\*1 (Audio AUX)

Activa la visualización de la fuente AUX: "ON", "OFF" (página 17).

---

**AUTO OFF**

Desconecta la alimentación automáticamente una vez transcurrido un período de tiempo deseado cuando la unidad está apagada: "NO", "30S (segundos)", "30M (minutos)", "60M (minutos)".

---

**DEMO** (Demostración)

Activa la demostración: "ON", "OFF".

---

**DIMMER**

Permite cambiar el brillo de la pantalla: "ON", "OFF".

---

**AUTO SCR**\*2 (Desplazamiento automático)

Desplaza de manera automática aquellos elementos demasiado extensos: "ON", "OFF".

---

**REPEAT** (página 13)**LOUDNESS**

Refuerza los graves y agudos para obtener un sonido claro a niveles de volumen bajos: "ON", "OFF".

---

**BTM** (página 9)

\*1 Cuando la unidad está apagada.

\*2 Cuando se selecciona el USB.

## Uso de equipo opcional

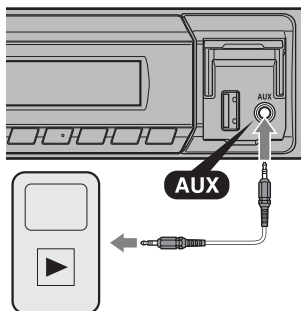
### Equipo de audio auxiliar

Si conecta un dispositivo de audio portátil a la toma de entrada AUX (minitoma estéreo) de la unidad y simplemente selecciona la fuente, podrá escuchar por los altavoces del automóvil.

#### Conexión del dispositivo de audio portátil

- 1 Apague el dispositivo de audio portátil.
- 2 Baje el volumen de la unidad.
- 3 Conecte el dispositivo de audio portátil a la unidad con un cable de conexión (no suministrado)\*.

\* Asegúrese de utilizar una clavija recta.



## Ajuste del nivel de volumen

Asegúrese de ajustar el volumen de cada equipo de audio conectado antes de la reproducción.

- 1 Baje el volumen de la unidad.
- 2 Presione **(SOURCE/OFF)** varias veces hasta que aparezca “AUX”.
- 3 Inicie la reproducción en el dispositivo de audio portátil con un volumen moderado.
- 4 Seleccione el volumen habitual en la unidad.
- 5 Ajuste el nivel de entrada (página 15).

## Información complementaria

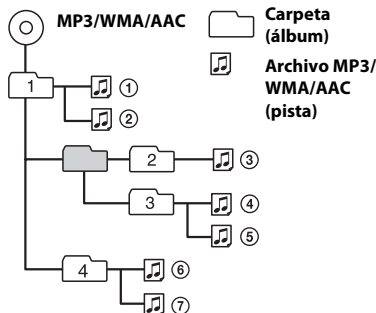
### Precauciones

- Deje que la unidad se enfríe antes de usarla si el automóvil ha estado estacionado bajo la luz directa del sol.
- No deje el panel frontal o los dispositivos de audio dentro del vehículo o podría causar fallas en el funcionamiento debido a las altas temperaturas bajo la luz directa del sol.
- La antena motorizada se extiende automáticamente.

### Para mantener una alta calidad de sonido

No derrame ningún tipo de líquido sobre la unidad.

## Orden de reproducción de los archivos MP3/WMA/AAC



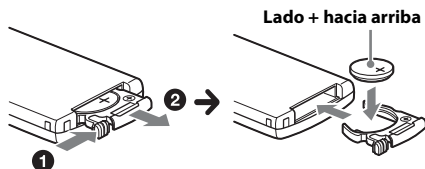


Si desea realizar alguna consulta o solucionar algún problema relativo a la unidad que no se trate en este manual, póngase en contacto con el distribuidor Sony más cercano.

## Mantenimiento

### Sustitución de la pila de litio del control remoto

El alcance del control remoto disminuye a medida que se agota la pila. Sustitúyala por una pila de litio CR2025 nueva. El uso de cualquier otra pila podría provocar un incendio o una explosión.



### Notas sobre la pila de litio

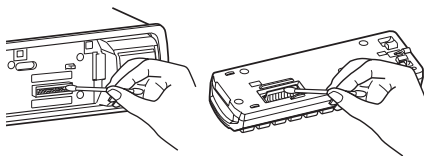
- Mantenga la pila de litio fuera del alcance de los niños. Si se ingiriese, póngase en contacto inmediatamente con un médico.
- Limpie la pila con un paño seco para garantizar un contacto óptimo.
- Asegúrese de respetar la polaridad al instalarla.
- No sujete la pila con pinzas metálicas, ya que podría producirse un cortocircuito.

### ADVERTENCIA

La pila puede explotar si no se emplea adecuadamente. No recargue la pila; tampoco la desmonte ni la arroje al fuego.

### Limpieza de los conectores

Es posible que la unidad no funcione correctamente si los conectores entre ésta y el panel frontal están sucios. Para evitar esta situación, extraiga el panel frontal (página 4) y limpie los conectores con un hisopo de algodón. Realice esta operación con suavidad. De lo contrario, los conectores podrían resultar dañados.



### Notas

- Por razones de seguridad, apague el motor antes de limpiar los conectores y extraiga la llave del interruptor de encendido.
- No toque nunca los conectores directamente con los dedos ni con ningún dispositivo metálico.

## Especificaciones

### Sección del sintonizador

#### FM

**Rango de sintonización:** de 87,5 a 107,9 MHz

**Terminal de antena:**

Conector de antena externa

**Frecuencia intermedia:** 25 kHz

**Sensibilidad útil:** 8 dBf

**Selectividad:** 75 dB a 400 kHz

**Relación señal-ruido:** 80 dB (estéreo)

**Separación:** 50 dB a 1 kHz

**Respuesta de frecuencia:** 20 – 15 000 Hz

## AM

**Rango de sintonización:** De 530 a 1 710 kHz

**Terminal de antena:**

conector de antena externa

**Frecuencia intermedia:**

9 115 kHz o 9 125 kHz/5 kHz

**Sensibilidad:** 26  $\mu$ V

## Sección del reproductor USB

**Interfaz:** USB (velocidad máxima)

**Corriente máxima:** 500 mA

## Sección del amplificador de potencia

**Salida:** salidas de altavoz

**Impedancia de altavoces:** de 4 a 8  $\Omega$

**Salida de potencia máxima:** 50 W  $\times$  4 (a 4  $\Omega$ )

## Generales

**Salidas:**

Terminal de salidas de audio (posterior)  
Antena motorizada/Terminal de control del amplificador de potencia (REM OUT)

**Entradas:**

Terminal de entrada del control remoto  
Terminal de entrada de la antena  
Toma de entrada AUX (minitoma estéreo)  
Puerto USB

**Requisitos de alimentación:** batería de automóvil de cc 12 V (masa negativa)

**Dimensiones:** aprox. 178  $\times$  50  $\times$  120 mm (an/al/prf)

**Dimensiones de montaje:** aprox. 182  $\times$  53  $\times$  103 mm (an/al/prf)

**Peso:** aprox. 0,7 kg

**Accesorios suministrados:**

Control remoto: RM-X211  
Componentes de instalación y conexiones  
(1 juego)

Es posible que su distribuidor no comercialice algunos de los accesorios que figuran en la lista anterior. Pídale información detallada.

El diseño y las especificaciones están sujetos a cambios sin previo aviso.

## Solución de problemas

La siguiente lista de comprobación le ayudará a solucionar los problemas que puedan producirse con la unidad.

Antes de consultarla, revise los procedimientos de conexión y de funcionamiento.

Para obtener más detalles acerca de cómo utilizar el fusible y cómo retirar la unidad del tablero, consulte el manual de instalación y de conexiones suministrado con esta unidad.

Si el problema no se resuelve, visite el sitio web de soporte técnico que figura en la cubierta posterior.

## Generales

**La unidad no recibe alimentación.**

- Revise la conexión o el fusible.
- Si la unidad está apagada y la pantalla desaparece, no se puede operar con el control remoto.
  - Encienda la unidad.

**La antena motorizada no se extiende.**

- La antena motorizada no dispone de una caja de relé.

**No se emite el sonido.**

- La función ATT está activada.
- La posición del control de equilibrio "FADER" no está ajustada para un sistema de 2 altavoces.

**No se escuchan pitidos.**

- El sonido de los pitidos está cancelado (página 16).
- Se encuentra conectado un amplificador de potencia opcional y no está usando el amplificador integrado.

---

### **El contenido de la memoria se borró.**

- Se desconectó el cable de fuente de alimentación o la batería, o no están conectados correctamente.

---

### **Las emisoras almacenadas y la hora correcta se borraron.**

#### **El fusible se fundió.**

#### **Se escucha ruido cuando se cambia la posición de la llave de encendido.**

- Los cables no se conectaron de forma correcta al conector de alimentación auxiliar del automóvil.

---

### **Durante la reproducción o la recepción, se inicia el modo demostración.**

- Si no se realiza ninguna operación durante 5 minutos y la opción "DEMO-ON" está ajustada, se iniciará el modo de demostración.
  - Ajuste "DEMO-OFF" (página 17).

---

### **Las indicaciones desaparecen de la pantalla o no aparecen en ella.**

- El atenuador está ajustado en "DIM-ON" (página 17).
- La pantalla se apaga si mantiene presionado **SOURCE/OFF**.
  - Presione **SOURCE/OFF** en la unidad hasta que se ilumine la pantalla.
- Los conectores están sucios (página 19).

---

### **La función Auto Off no funciona.**

- La unidad está encendida. La función Auto Off se activa después de apagar la unidad.
  - Apague la unidad.

## **Recepción de radio**

### **No es posible recibir las emisoras. Hay ruidos que obstaculizan el sonido.**

- La conexión no es correcta.
  - Conecte un cable REM OUT (azul/con rayas blancas) o un cable de fuente de alimentación auxiliar (rojo) al cable de fuente de alimentación del amplificador de señal de la antena del automóvil (solamente cuando el automóvil tenga una antena de radio integrada en el cristal posterior o lateral).
  - Compruebe la conexión de la antena del automóvil.
  - Si la antena motorizada no se extiende, compruebe la conexión del cable de control de la antena motorizada.

---

### **No es posible utilizar la sintonización programada.**

- Almacene la frecuencia correcta en la memoria.
- La señal de emisión es demasiado débil.

---

### **No es posible utilizar la sintonización automática.**

- La señal de emisión es demasiado débil.
  - Use la sintonización manual.

---

## **RDS**

### **PTY muestra "-----".**

- La emisora actual no es una emisora RDS.
- No se recibieron datos RDS.
- La emisora no especifica el tipo de programa.

## Reproducción USB

### No es posible reproducir elementos a través de un concentrador USB.

- Esta unidad no puede reconocer dispositivos USB a través de un concentrador USB.

### No se pueden reproducir elementos.

- Un dispositivo USB no funciona.
  - Vuelva a conectarlo.

### El dispositivo USB tarda en reproducirse.

- El dispositivo USB contiene archivos con una estructura de árbol compleja.

### El sonido es discontinuo.

- Es posible que la discontinuidad del sonido se deba a una tasa alta de bits de más de 320 kbps.

## Mensajes/indicaciones de error

### CHECKING

- La unidad está confirmando la conexión de un dispositivo USB.
  - Espere mientras finaliza el proceso de confirmación de la conexión.

### ERROR

- Es posible que se haya producido una falla interna.
  - Presione **(SOURCE/OFF)** durante más de 2 segundos (la pantalla se apaga) y, a continuación, presione **(SOURCE/OFF)** de nuevo.

### ERROR-01

- Es posible que se haya producido una falla interna.
  - Revise la conexión. Si el indicador de error permanece en pantalla, póngase en contacto con el distribuidor Sony más cercano.
- La conexión de los altavoces y amplificadores es incorrecta.
  - Consulte el manual de instalación y de conexiones de este modelo para revisar la conexión.

### ERROR-99

- Es posible que se haya producido una falla interna.
  - Presione **(SOURCE/OFF)** durante más de 2 segundos (la pantalla se apaga) y, a continuación, presione **(SOURCE/OFF)** de nuevo. Si el indicador de error permanece en pantalla, póngase en contacto con el distribuidor Sony más cercano.

### NO MUSIC

- El dispositivo USB no contiene ningún archivo de música.
  - Conecte un dispositivo USB que contenga algún archivo de música.

### NO NAME

- No se ha grabado ningún nombre de álbum/ artista/pista en el USB.

### NO SUPRT (No compatible)

- El concentrador USB no es compatible con esta unidad.
- El dispositivo USB conectado no es compatible.
  - Para obtener más información acerca de la compatibilidad del dispositivo USB, visite el sitio web de soporte técnico.

---

**NO USB**

- USB se selecciona como fuente sin que esté conectado un dispositivo USB. Se ha desconectado un dispositivo USB o un cable USB durante la reproducción.
- Asegúrese de conectar un dispositivo USB y un cable USB.

---

**OVERLOAD**

- El dispositivo USB está sobrecargado.
- Desconecte el dispositivo USB y, a continuación, presione **(SOURCE/OFF)** para cambiar la fuente.
  - Indica que el dispositivo USB está fuera de servicio, o que hay un dispositivo incompatible conectado.

---

**READ**

- La unidad está leyendo toda la información de las pistas y los álbumes del dispositivo USB.
- Espere hasta que finalice la lectura y se inicie la reproducción automáticamente. Es posible que demore más de un minuto en función de la estructura del dispositivo USB.

Si estas soluciones no ayudan a solucionar el problema, póngase en contacto con el distribuidor Sony más cercano.





## Support site

If you have any questions or for the latest support information on this product, please visit the web site below:

## Sitio Web de soporte técnico en línea

Para resolver cualquier duda u obtener la información más reciente sobre el soporte técnico de este producto, visite el siguiente sitio Web:

<http://esupport.sony.com>

<http://www.sony.com/caraudio>

**If you have any questions/problems regarding this product, try the following:**

**1** *Read Troubleshooting in these Operating Instructions.*

**2** *Please contact (U.S.A. only);*

*Call* **1-800-222-7669**

*URL* **<http://www.SONY.com>**

<http://www.sony.net/>

©2013 Sony Corporation Printed in Thailand



\* 4 4 7 0 3 6 3 1 1 \* (1)

Download from [Www.Somanuals.com](http://www.Somanuals.com). All Manuals Search And Download.



## Free Manuals Download Website

<http://myh66.com>

<http://usermanuals.us>

<http://www.somanuals.com>

<http://www.4manuals.cc>

<http://www.manual-lib.com>

<http://www.404manual.com>

<http://www.luxmanual.com>

<http://aubethermostatmanual.com>

Golf course search by state

<http://golfingnear.com>

Email search by domain

<http://emailbydomain.com>

Auto manuals search

<http://auto.somanuals.com>

TV manuals search

<http://tv.somanuals.com>