

Personal Audio System

Operating Instructions

This manual describes how to use the player. For the supplied software SonicStage, please see “Installation/Operating Guide.”

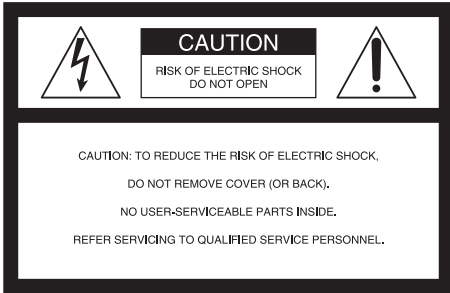


Atrac3plus

ZS-YN7

Warning

To prevent fire or shock hazard, do not expose the player to rain or moisture.



This symbol is intended to alert the user to the presence of uninsulated “dangerous voltage” within the product's enclosure that may be of sufficient magnitude to constitute a risk of electric shock to persons.



This symbol is intended to alert the user to the presence of important operating and maintenance (servicing) instructions in the literature accompanying the appliance.

CAUTION

The use of optical instruments with this product will increase eye hazard.

WARNING

Do not install the appliance in a confined space, such as a bookcase or built-in cabinet.

To prevent fire or shock hazard, do not place objects filled with liquids, such as vases, on the appliance.

Information

For customers in the United States

This equipment has been tested and found to comply with the limits for a Class B digital device, pursuant to Part 15 of the FCC Rules. These limits are designed to provide reasonable protection against harmful interference in a residential installation. This equipment generates, uses and can radiate radio frequency energy and, if not installed and used in accordance with the instructions, may cause harmful interference to radio communications. However, there is no guarantee that interference will not occur in a particular installation. If this equipment does cause harmful interference to radio or television reception, which can be determined by turning the equipment off and on, the user is encouraged to try to correct the interference by one or more of the following measures:

- Reorient or relocate the receiving antenna.
- Increase the separation between the equipment and receiver.
- Connect the equipment into an outlet on a circuit different from that to which the receiver is connected.
- Consult the dealer or an experienced radio/TV technician for help.

You are cautioned that any changes or modifications not expressly approved in this manual could void your authority to operate this equipment.

Owner's Record

The model number is located at the rear and the serial number is located in the battery compartment.

Record the serial number in the space provided below. Refer to these numbers whenever you call upon your Sony dealer regarding this product.

Model No. ZS-YN7

Serial No. _____

Table of contents

Enjoy lots of songs on your original CD 4

Basic Operations

Playing a CD 6
Listening to the radio 10

The CD Player

Using the display 12
Locating a specific track 13
Searching for your favorite tracks/files 14
Playing a specific group
(ATRAC CD/MP3 CD only) 15
Playing a single track
(Single track play) 16
Playing tracks in random order
(Shuffle play) 16
Playing your favorite tracks by adding
Bookmarks (Bookmark track play) 17
Playing your favorite play lists
(m3u play list play) (MP3 CD only) 18
Creating your own program
(Program play) 19
Playing tracks repeatedly (Repeat play) 20

The Radio

Presetting radio stations 21
Playing preset radio stations 22

The Audio Emphasis

Selecting the audio emphasis 23

The Timer

Falling asleep to music 24

Setting Up

Choosing the power sources 25

Additional Information

Precautions 26
Troubleshooting 27
Maintenance 29
Specifications 30
Index 31

Enjoy lots of songs on your original CD

In addition to the usual audio CDs, you can play an original CD, called “ATRAC CD,” that you create with the supplied software, SonicStage. Using SonicStage, about 30 audio CDs* can be recorded on one CD-R or CD-RW.

The following is a quick overview of how you listen to music on your ATRAC CD.

Install SonicStage on your computer.

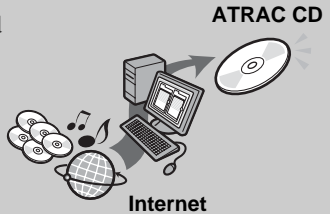
SonicStage is software that takes music downloaded from audio CDs and the Internet on your computer and creates original CDs. It can be installed from the supplied CD-ROM.



Create an ATRAC CD.

After selecting your favorite songs from music stored on your computer, record them on a CD-R/CD-RW using SonicStage.

Audio CDs
MP3 files



Listen to them with this CD player.

You can enjoy lots of songs on your original CD.



Please see the supplied “Installation/Operating Guide” for how to install SonicStage and how to create ATRAC CDs.

* When the total playing time of one CD (album) is estimated at 60 minutes and you are recording on a 700MB CD-R/CD-RW at 48kbps in ATRAC3plus format.

Which discs can you play on this CD player?



Audio CDs:

CDDA format CDs

CDDA (Compact Disc Digital Audio) is a recording standard used for Audio CDs.



ATRAC CDs:

CD-R/CD-RW on which audio data compressed in the ATRAC3plus or/and ATRAC3 format has been recorded*

ATRAC3 (Adaptive Transform Acoustic Coding3) is audio compression technology that satisfies the demand for high sound quality and high compression rates.

ATRAC3plus is audio compression technology developed from the ATRAC3 format and can compress audio files to about 1/20 of their original size at 64kbps.

You can create an ATRAC CD using SonicStage.



MP3 CDs:

CD-R/CD-RW on which audio data compressed in the MP3 format has been recorded*

MP3 (MPEG-1 Audio Layer3) is audio compression technology that can compress audio files to about 1/10 of their original size.

CD-R/CD-RW on which mixed audio data compressed in the ATRAC3plus/ATRAC3, or MP3 formats has been recorded by using an software other than SonicStage can also be played. With SonicStage, you cannot create a CD on which mixed audio data is recorded.

* Only ISO 9660 Level 1/2 and Joliet extension format discs can be played.

Note

Characters that can be displayed on this CD player are listed below.

- A to Z

- a to z

- 0 to 9

- ! " # \$ % & ' () * + , - . / : ; < = > ? @ [\] ^ _ ` { | } ~

If you use other characters on your computer using software such as SonicStage, they are displayed as "--" on this CD player.

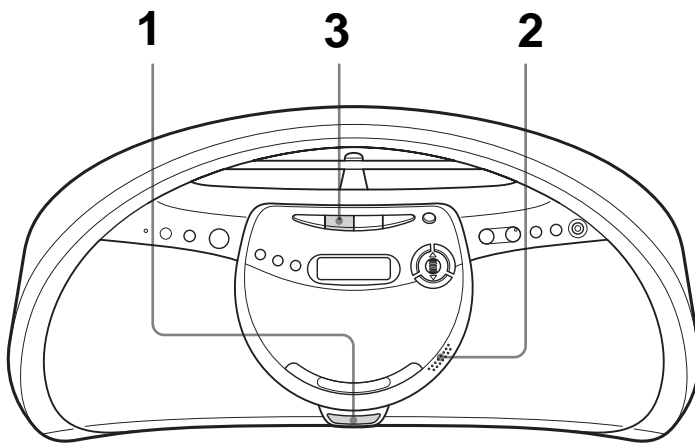
Music discs encoded with copyright protection technologies

This product is designed to play back discs that conform to the Compact Disc (CD) standard.

Recently, various music discs encoded with copyright protection technologies are marketed by some record companies. Please be aware that among those discs, there are some that do not conform to the CD standard and may not be playable by this product.

ATRAC, ATRAC3, ATRAC3plus, SonicStage and their logos are trademarks of Sony Corporation.

Playing a CD



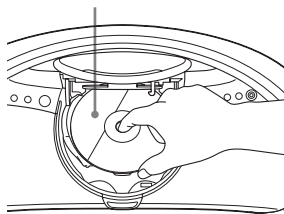
Connect the supplied AC power cord (see page 25).

1



Press OPEN to open the CD lid (direct power-on) and place the CD on the CD tray.

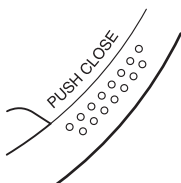
With the label side up



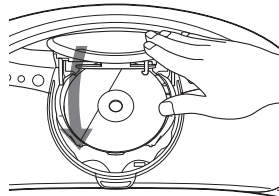
Note

Make sure that the CD is placed properly on the CD tray. Don't place it under the CD tray.

2



Press PUSH CLOSE to close the CD lid.

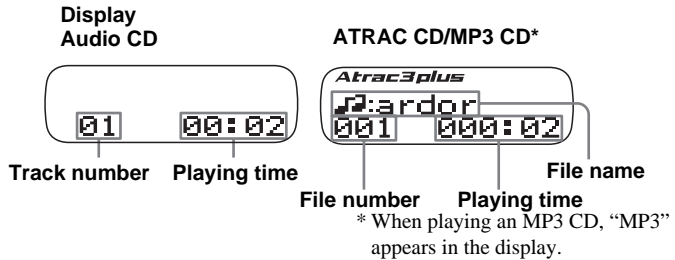


3



Press **▶||** (▶ on the remote).

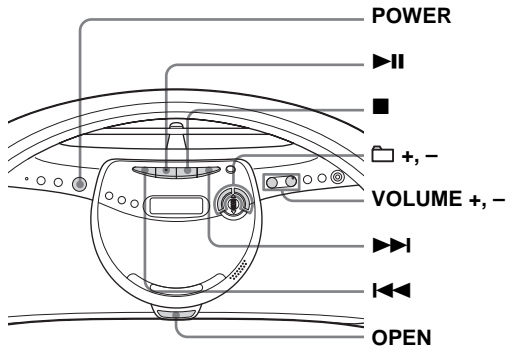
The player plays all the tracks once.



Note

Before playing an ATRAC CD/MP3 CD, this player reads all file and group information on the CD. Depending on the file structure, it may take more than a minute to read them. During this time, "Reading" is displayed.

Use these buttons for additional operations



Tips

- To listen through headphones, connect the headphones to the (headphones) jack.
- Playback starts from the point you last stopped playing (Resume play). During stop, the point to be played is displayed. To cancel the resume play to start play from the beginning of the first track, press **■** in stop mode.

To	Press
adjust the volume	VOLUME +*1, - (VOL +*1, - on the remote)
stop playback	■
pause playback	▶ *1 (on the remote) Press the button again to resume play after pause.
go to the next track	▶▶
go back to the previous track	◀◀

*1 The button has a tactile dot.

continued

Notes

- If ATRAC3plus/ATRAC3 files and MP3 files are recorded on the same CD, this CD player plays the ATRAC3plus/ATRAC3 only.
- The playback capability of this CD player may vary depending on the quality of the disc and the condition of the recording device.
- Characters that can be displayed on this CD player are listed below.
 - A to Z
 - a to z
 - 0 to 9
 - ! " # \$ % & ' () * + , - . / : ; < = > ? @ [\] ^ _ ` { | } ~

If you use other characters on your computer using software such as SonicStage, they are displayed as “-” on this CD player.

- On a disc that has ATRAC3plus/ATRAC3/MP3 files, do not save files in other formats and do not make unnecessary groups.

To	Press
select a group*2	⏮ + to go forward and - to go backward
select a file*2	▶▶▶ to go forward and ◀◀◀ to go backward
remove the CD	OPEN*3
turn on/off the player	POWER

*2 You can operate during play of ATRAC CDs/MP3 CDs.

*3 Once you open the CD tray, the track to start play will change to the beginning of the first track.

The structure of ATRAC CDs/MP3 CDs

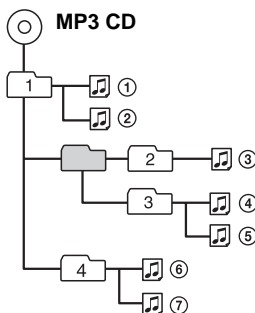
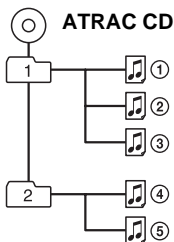
ATRAC CDs/MP3 CDs consist of “files” and “groups.” A “file” is equivalent to a “track” of an audio CD. A “group” is a bundle of files and is equivalent to an “album.”

For MP3 CDs, this CD player recognizes an MP3 folder as a “group” so that ATRAC CDs and MP3 CDs can be operated in the same way.

Playing order of ATRAC CDs and MP3 CDs

For ATRAC CDs, files are played in the order selected in SonicStage.

For MP3 CDs, the playing order may differ depending on the method used to record MP3 files on the disc. In the following example, files are played in order of ① to ⑦.



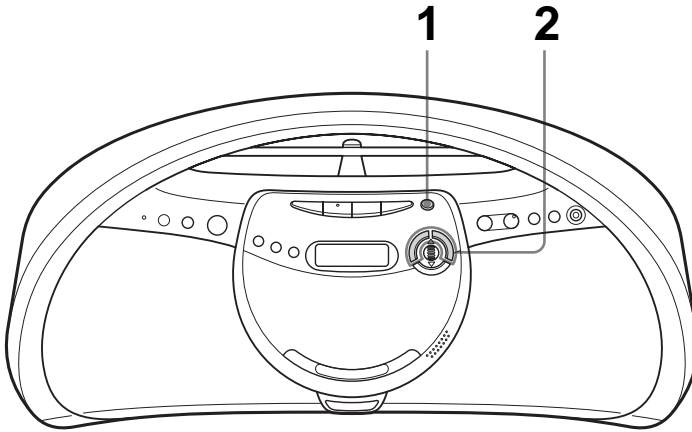
Notes on ATRAC CDs

- Maximum number of groups: 255
Maximum number of files: 999
- CD-Rs/CD-RWs recorded in the ATRAC3plus/ATRAC3 format cannot be played on your computer.

Notes on MP3 CDs

- Maximum number of groups: 100
Maximum number of files: 400
Maximum directory level: 8
- A group that does not include an MP3 file is skipped.
- Be sure to add the file extension “mp3” to the file name.
However, if you add the file extension “mp3” to a file other than an MP3 file, the player will not be able to recognize the file properly.
- This player can play bit rates of 16 to 320 kbps, and sampling frequencies of 32/44.1/ 48 kHz. Variable Bit Rate (VBR) file can also be played.
- To compress a source in an MP3 file, we recommend setting the compression parameters to “44.1 kHz,” “128 kbps,” and “Constant Bit Rate.”
- To record up to the maximum capacity, set the writing software to “halting of writing.”
- To record to the maximum capacity at one time up on media that has nothing recorded on it, set the writing software to “Disc at Once.”

Listening to the radio



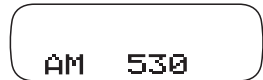
Connect the supplied AC power cord (see page 25).

1

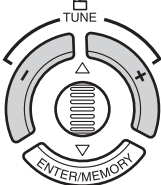


Press **RADIO•BAND•AUTO PRESET** until the band you want appears in the display (direct power-on).

Display



2

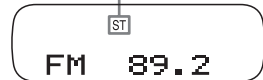


Press **TUNE +** or **-** and hold it until the frequency digits begin to change in the display.

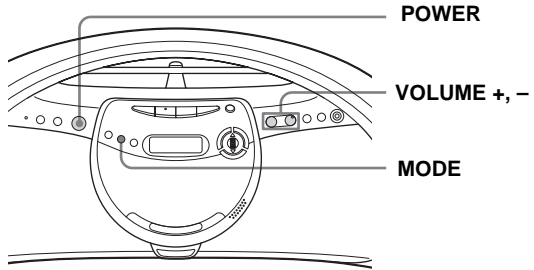
The player automatically scans the radio frequencies and stops when it finds a clear station.

If you can't tune in a station, press **TUNE +** or **-** repeatedly to change the frequency step by step.

Indicates an FM stereo broadcast



Use these buttons for additional operations



Tip

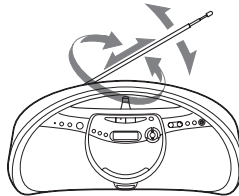
If the FM broadcast is noisy, press MODE until “Mono” appears in the display and radio will play in monaural.

To	Press
adjust the volume	VOLUME +*, - (VOL +*, - on the remote)
turn on/off the radio	POWER

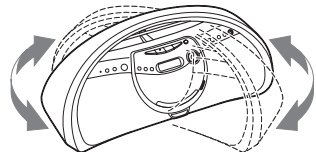
* The button has a tactile dot.

To improve broadcast reception

Reorient the antenna for FM. Reorient the player itself for AM.



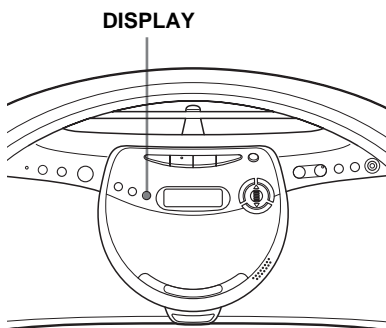
for FM



for AM

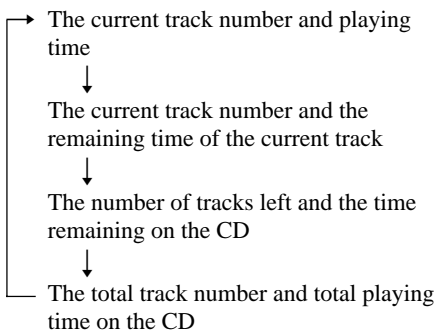
Using the display

You can check information about the CD using the display.



Checking the information on an audio CD

Press DISPLAY. The display changes as follows:



Tip

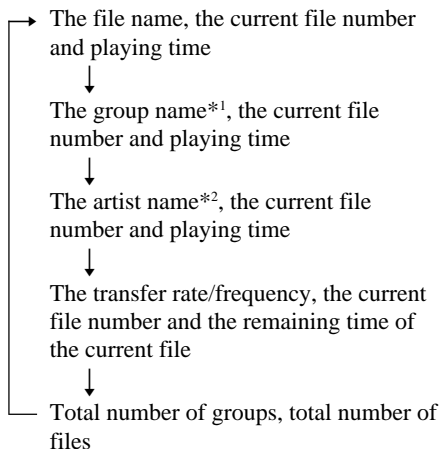
When you are playing an audio CD containing text information such as CD-TEXT, information is displayed.

Checking the information on an ATRAC CD/MP3 CD

Press DISPLAY. The display changes as follows:

When you are playing an MP3 CD containing files with an ID3 tag*, ID3 tag information is displayed.

* ID3 tag is a format for adding certain information (track name, album name, artist name, etc.) to MP3 files. This player conforms to Version 1.0/1.1/2.3 of the ID3 tag format (for MP3 files only).

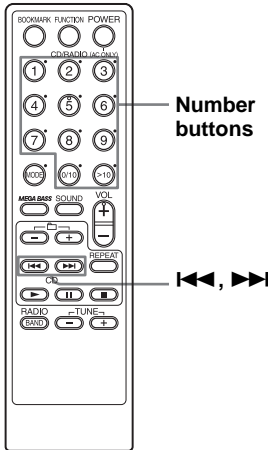


*¹ If the file does not belong to any group, the group name is displayed as "Root".

*² If the file does not have an artist name, "----" is displayed.

Locating a specific track

You can quickly locate any track on a CD using the number buttons on the remote. You can also find a specific point in a track while playing a CD.



Tips

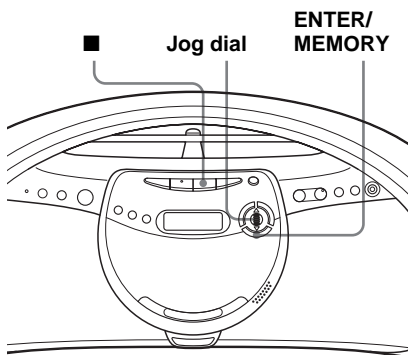
- When you locate a track numbered over 10, press >10 first, then the corresponding number buttons.
Example: To play track number 23, press >10 first, then 2 and 3.
- To select a track numbered over 100, press >10 twice, then the corresponding number buttons.

To locate	Press
a specific track directly	the number button of the track
a point while listening to the sound	▶▶▶ (forward) or ◀◀◀ (backward) while playing and hold it until you find the point
a point while observing the display	▶▶▶ (forward) or ◀◀◀ (backward) in pause and hold down until you find the point

Notes

- Locating a specific track using the number buttons is only available for the tracks in the selected group.
- You cannot locate a specific track if “SHUF”, “▶”, “◻” or “PGM” is lit in the display. Turn off the indication by pressing ◻.
- When you find a specific point in a file while playing ATRAC3plus/ATRAC3/MP3 files, the sound may not be heard for a few seconds.

Searching for your favorite tracks/files



Searching for a track on an audio CD

- 1 Press ■.
“CD” appears in the display.
- 2 Turn the jog dial toward ▲ or ▼ to select the track you want, then press ENTER/MEMORY.

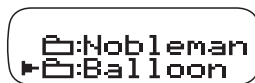


The playback starts from the track selected.

To cancel the track search
Turn the jog dial until “CANCEL” appears,
then press ENTER/MEMORY.

Searching for a file on an ATRAC CD/MP3 CD

- 1 Press ■.
“CD” appears in the display.
- 2 While play is stopped, turn the jog dial toward ▲ or ▼ to select the group you want, then press ENTER/MEMORY.



- 3 Turn the jog dial toward ▲ or ▼ to select the file you want, then press ENTER/MEMORY.



The playback starts from the file selected.

To cancel the file search

- 1 Turn the jog dial toward ▲ or ▼ until “□:” appears, then press ENTER/MEMORY.
- 2 Turn the jog dial until “CANCEL” appears, then press ENTER/MEMORY.

Tip

You can also search a file while playing an ATRAC CD/MP3 CD. When you turn the jog dial during playback, the file list of the group in which the current file is will be displayed. To select a file of another group, turn the jog dial toward ▲ or ▼ until “☐:” appears, then press ENTER/MEMORY to select the group first and select the file you want by turning the jog dial.

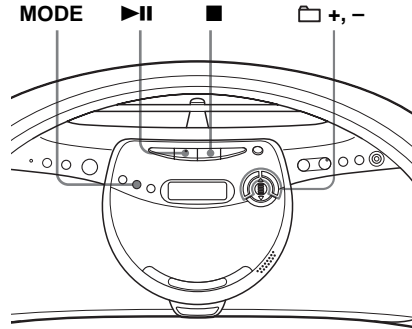
Note

When using an ATRAC CD, up to 400 file names or up to 100 group names can be displayed. If the number of files or groups surpasses these figures, a file name such as “401 ---” or a group name such as “101 ---” will be displayed instead of names.

Playing a specific group

(ATRAC CD/MP3 CD only)

You can play all the files in a specific group, and stop the player automatically.



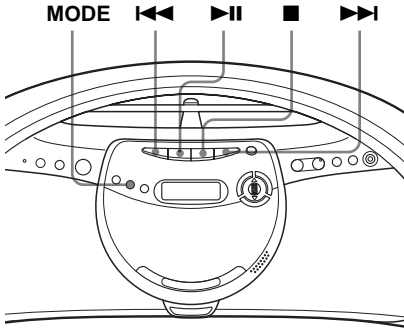
- 1** Press ■.
“CD” appears in the display.
- 2** Press MODE repeatedly in stop mode until “☐” appears in the display.
- 3** Press ☐ + or - to select the group you want to play.
- 4** Press ▶||.

To cancel the group play
Stop playing first. Then press MODE until “☐” disappears from the display.

Playing a single track

(Single track play)

You can play a single track once, and stop the player automatically.



- 1 Press **■**.
“CD” appears in the display.
- 2 Press **MODE** repeatedly in stop mode until “1” appears in the display.
- 3 Press **◀◀** or **▶▶** to select the track you want to play.
- 4 Press **▶▶**.

To cancel the single track play
Stop playing first. Then press **MODE** until “1” disappears from the display.

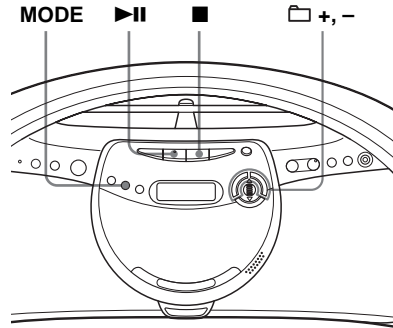
On the remote

- 1 Press **■**.
- 2 Press **MODE** repeatedly in stop mode until “1” appears in the display.
- 3 Press the number buttons to select the track you want.

Playing tracks in random order

(Shuffle play)

You can play tracks in random order.



Playing all tracks on a CD in random order

- 1 Press **■**.
“CD” appears in the display.
- 2 Press **MODE** repeatedly in stop mode until “SHUF” appears in the display.
- 3 Press **▶▶** to start Shuffle play.

Playing all files in a selected group in random order (ATRAC CD/MP3 CD only)

- 1 Press ■. "CD" appears in the display.
- 2 Press MODE repeatedly in stop mode until " SHUF" appears in the display.
- 3 Press □ + or - to select the group you want to play.
- 4 Press ►|| to start Shuffle play.

To cancel Shuffle play

Stop playing first. Then press MODE until "SHUF" or " SHUF" disappears from the display.

Tip

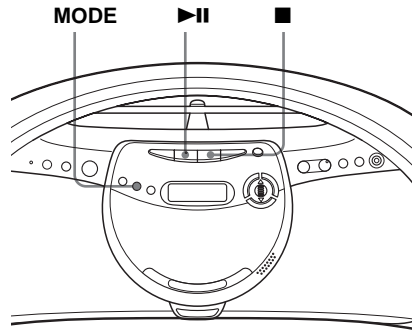
During Shuffle play, you cannot select the previous track by pressing ◀◀.

Playing your favorite tracks by adding Bookmarks

(Bookmark track play)

You can add Bookmarks to up to 99 tracks (audio CD), up to 999 files (ATRAC CD) or up to 400 files (MP3 CD) for a CD.

When you open the CD tray, all Bookmarks stored in memory will be erased.



Adding Bookmarks

- 1 During playback of the track to which you want to add a Bookmark, press and hold ►|| until "Bookmark Set" appears in the display. When the Bookmark has been added successfully, "✓" flashes slower.
- 2 Repeat step 1 to add Bookmarks to the tracks you want.


On the remote

Use BOOKMARK instead of ►||.

continued

Playing your favorite tracks by adding Bookmarks (Bookmark track play) (continued)


Playing the tracks with Bookmarks

- 1 Press **■**.
“CD” appears in the display.
- 2 Press MODE repeatedly in stop mode until “” and “Bookmark” appear in the display.
- 3 Press **▶||**.
The playback of the tracks with the Bookmarks starts.

To remove Bookmarks

During playback of a track with a Bookmark, press and hold **▶||** (BOOKMARK on the remote) until “Bookmark Cancel” appears in the display.

To check tracks with Bookmarks

During playback of tracks with Bookmarks, “” flashes slowly in the display.

Notes

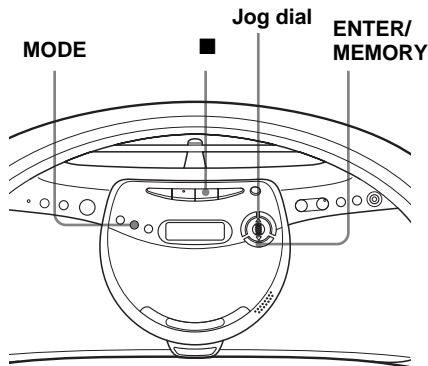
- During playback of tracks with Bookmarks, tracks are played in order of track number, and not in the order you added the Bookmarks.
- If you open the CD tray, all Bookmarks stored in memory will be erased.
- You cannot select a track with a Bookmark directly by using the number buttons on the remote.


Playing your favorite play lists (m3u play list play)

(MP3 CD only)

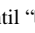
You can play your favorite m3u play lists.*

* An “m3u play list” is a file for which an MP3 file playing order has been encoded. To use the play list function, record MP3 files on a CD-R/CD-RW using encoding software that supports the m3u format.



- 1 Press **■**.
“CD” appears in the display.
- 2 Press MODE repeatedly in stop mode until “” appears in the display.
- 3 Turn the jog dial toward **▲** or **▼** to select a play list you want then press ENTER/MEMORY.

On the remote

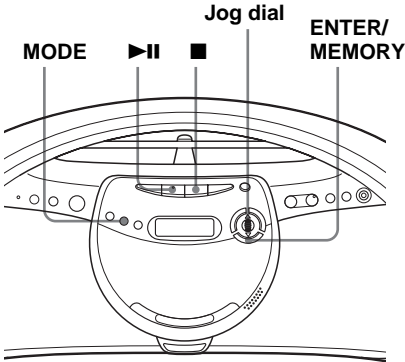
- 1 Press **■**.
- 2 Press MODE repeatedly in stop mode until “” appears in the display.
- 3 Press **◀◀** or **▶▶** to start a play list you want then press **▶**.

Note

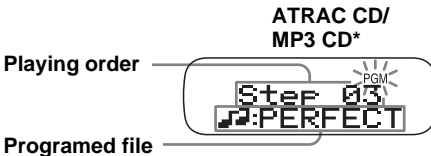
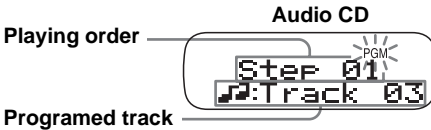
You can only play the top two play lists when two or more play lists are stored.

Creating your own program (Program play)

You can arrange the playing order of up to 20 tracks or files on a CD.



- 1 Press **■**.
"CD" appears in the display.
- 2 Press **MODE** repeatedly in stop mode until "PGM" appears in the display.
- 3 Turn the jog dial toward **▲** or **▼** then press **ENTER/MEMORY** for the tracks or files you want to program in the order you want.



*You can also select another group pressing **⏪** + or **⏩** -.

- 4 Press **▶||** to start Program Play.

To cancel Program Play
Stop playing first. Then press **MODE** until "PGM" disappears from the display.

To check the order of tracks before play

Press **ENTER/MEMORY** while programming. Every time you press the button, the track or file number appears in the programmed order.

To change the current program
Press **■** once while programming. The current program will be erased. Then create a new program following the programming procedure.

Tip

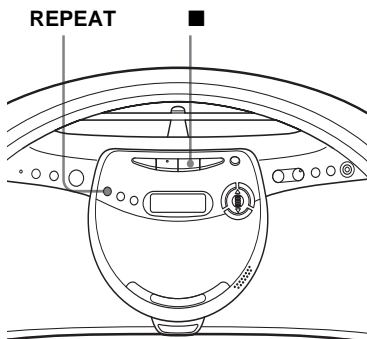
You can play the same program again, since the program is saved until you open the CD tray.

On the remote

- 1 Press **■**.
- 2 Press **MODE** repeatedly until "PGM" appears in the display.
- 3 Press the number buttons for the tracks or files you want to program in the order you want.
- 4 Press **▶**.

Playing tracks repeatedly (Repeat play)

You can play tracks repeatedly in normal play mode and other play modes you want.



-
- 1** Press ■.
“CD” appears in the display.

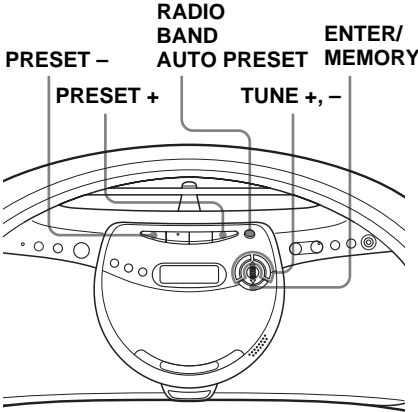
 - 2** Play the CD.
You can play tracks repeatedly in normal play mode and other play modes you want (see pages 15– 19).

 - 3** Press REPEAT until “↶” appears in the display.
-

To cancel Repeat play
Press REPEAT until “↶” disappears from the display.

Presetting radio stations

You can store radio stations into the player's memory. You can preset up to 30 radio stations, 20 for FM and 10 for AM in any order.



- 1** Press **RADIO•BAND•AUTO PRESET** to select the band.
- 2** Hold down **RADIO•BAND•AUTO PRESET** until “Auto Preset” flashes in the display.
- 3** Press **ENTER/MEMORY**.
The stations are stored in memory from the lower frequencies to the higher ones.

If a station cannot be preset automatically

You need to preset a station with a weak signal manually.

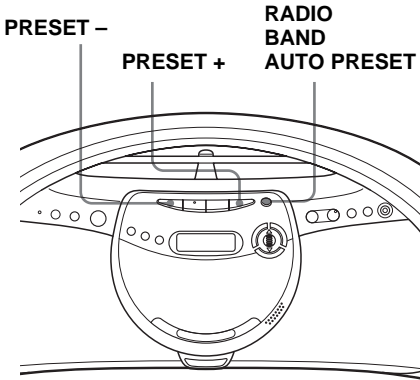
- 1** Press **RADIO•BAND•AUTO PRESET** to select the band.
- 2** Tune in a station you want by pressing **TUNE +** or **-**.
- 3** Hold down **ENTER/MEMORY** for about 2 seconds.
- 4** Press **PRESET +** or **PRESET -** until the preset number you want for the station on flashes.
- 5** Press **ENTER/MEMORY**.
The new station replaces the old one.

On the remote

- 1** Press **RADIO•BAND** until the band you want appears in the display.
- 2** Press **TUNE +** or **-** until you tune in the station you want.
- 3** Hold down the number button that you want to preset the new station on for 2 seconds.
To select the preset number over 10, press >10 first, then the corresponding number buttons.
You need to hold down the last number button to enter for about 2 seconds. (Example: To select 12, press >10 and 1 first, then hold down 2 for about 2 seconds.)

Playing preset radio stations

Once you've preset the stations, use the PRESET + or PRESET - button on the player or the number buttons on the remote to tune in your favorite stations.



1 Press RADIO•BAND•AUTO PRESET to select the band.

2 Press PRESET + or PRESET - to tune in the stored station.

On the remote

1 Press RADIO•BAND until the band you want appears in the display.

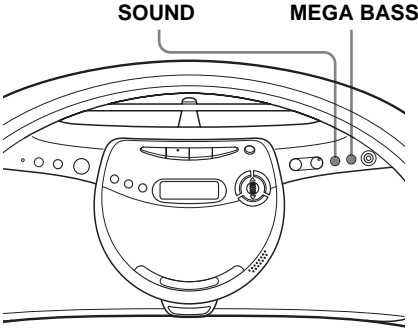
2 Press the number button to tune in a stored station.

To tune in a preset station over 10, press >10 first, then the corresponding number buttons.

(Example: To tune in a preset station 12, press >10 and 1 first, and then press 2.)

Selecting the audio emphasis

You can adjust the audio emphasis of the sound you are listening to.



Reinforcing the bass sound

Press MEGA BASS to display “MEGABASS”.

To return to normal sound, press the button again to make “MEGABASS” disappear from the display.

Selecting the sound characteristic

Press SOUND repeatedly to select the audio emphasis you want.

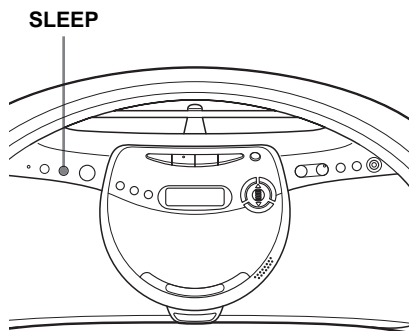
Choose	To get
	powerful, clean sounds, emphasizing low and high range audio
	light, bright sounds emphasizing high and middle range audio
	percussive sounds, emphasizing bass audio
	the presence of vocals, stressing middle range audio
	the whole dynamic range for music such as classical music

Falling asleep to music

You can set the player to turn off automatically after 10, 20, 30, 60, 90 and 120 minutes, allowing you to fall asleep while listening to music.

To cancel the sleep function
Press POWER to turn off the power.

Tip
The backlight of the display goes off while the sleeping timer is on.



- 1 Play the music source you want.
- 2 Press SLEEP to display "SLEEP."
- 3 Press SLEEP to select the minutes until the player goes off automatically. Each time you press the button, the indication changes as follows:
"60" → "90" → "120" → "OFF" →
"10" → "20" → "30".

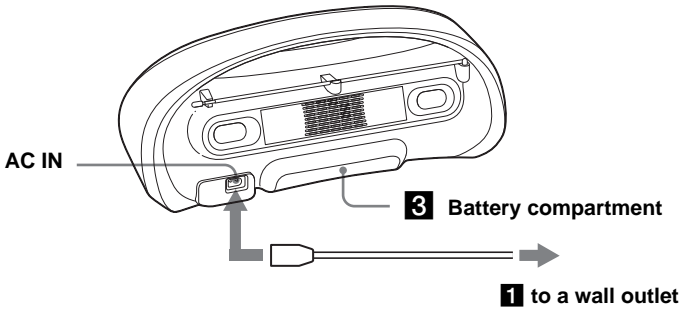


If 4 seconds have passed after you pressed SLEEP, the minutes in the display are entered.

When the preset time has passed, the player goes off automatically.

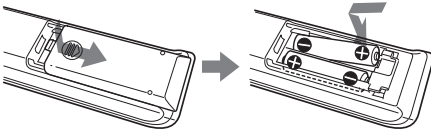
Choosing the power sources

You can use the AC power or batteries as a power source.



1 Connecting the AC power cord
Insert one end of the supplied AC power cord to the AC IN socket located at the rear of the player, and the other end to the wall outlet.

2 Inserting batteries into the remote

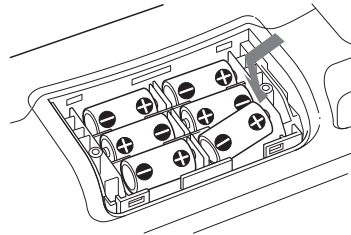


Insert two size AAA (R03) batteries (not supplied).

Replacing batteries

With normal use, the batteries should last for about six months. When the remote no longer operates the player, replace all the batteries with new ones.

3 Using the player on batteries
Insert six size C (R14) batteries (not supplied) into the battery compartment. To use the player on batteries, disconnect the AC power cord from the player.



Replacing batteries

Replace the batteries when the OPR/BATT indicator dims or when the player stops operating. Replace all the batteries with new ones.

Tips

- The backlight of the display lights up when the player is turned on.
- When you operate the player on the batteries, you cannot turn on the player with remote.

Precautions

On safety

- As the laser beam used in the CD player section is harmful to the eyes, do not attempt to disassemble the casing. Refer servicing to qualified personnel only.
- Should any solid object or liquid fall into the player, unplug the player, and have it checked by qualified personnel before operating it any further.
- Discs with non-standard shapes (e.g., heart, square, star) cannot be played on this player. Attempting to do so may damage the player. Do not use such discs.

On power sources

- For AC operation, use the supplied AC power cord; do not use any other type.
- The player is not disconnected from the AC power source (mains) as long as it is connected to the wall outlet, even if the player itself has been turned off.
- Unplug the player from the wall outlet when it is not to be used for an extended period of time.
- For battery operation, use six size C (R14) batteries.
- When the batteries are not to be used, remove them to avoid damage that can be caused by battery leakage or corrosion.
- The nameplate indicating operating voltage, power consumption, etc. is located at the rear.

On placement

- Do not leave the player in a location near heat sources, or in a place subject to direct sunlight, excessive dust or mechanical shock.
- Do not place the player on an inclined or unstable place.
- Do not place anything within 10 mm of the side of the cabinet. The ventilation holes must be unobstructed for the player to operate properly and prolong the life of its components.

- If the player is left in a car parked in the sun, be sure to choose a location in the car where the player will not be subjected to the direct rays of the sun.
- Since a strong magnet is used for the speakers, keep personal credit cards using magnetic coding or spring-wound watches away from the player to prevent possible damage from the magnet.

On operation

- If the player is brought directly from a cold to a warm location, or is placed in a very damp room, moisture may condense on the lens inside the CD player section. Should this occur, the player will not operate properly. In this case, remove the CD and wait about an hour for the moisture to evaporate.

Notes on CDs

- Before playing, clean the CD with a cleaning cloth. Wipe the CD from the center out.



- Do not use solvents such as benzene, thinner, commercially available cleaners or anti-static spray intended for vinyl LPs.
- Do not expose the CD to direct sunlight or heat sources such as hot air ducts, nor leave it in a car parked in direct sunlight as there can be a considerable rise in temperature inside the car.
- Do not stick paper or sticker on the CD, nor scratch the surface of the CD.
- After playing, store the CD in its case.

If there is a scratch, dirt or fingerprints on the CD, it may cause tracking error.

About CD-Rs/CD-RWs

This CD player can play CD-Rs/CD-RWs recorded in the ATRAC3plus/ATRAC3, MP3 or CDDA* format, but playback capability may vary depending on the quality of the disc and the condition of the recording device.

* CDDA is the abbreviation for Compact Disc Digital Audio. It is a recording standard used for the Audio CDs.

If you have any questions or problems concerning your player, please consult your nearest Sony dealer.

Troubleshooting

General

The power is not on.

- Connect the AC power cord to a wall outlet securely.
 - Make sure the batteries are inserted correctly.
 - Replace all the batteries with new ones if they are weak.
 - You cannot turn on the player with the remote when you operate the player on batteries.
-

There is no audio.

- Adjust the volume.
 - Unplug the headphones when listening through speakers.
-

Noise is heard.

- Someone is using a portable telephone or other equipment that emits radio waves near the player. → Move the portable telephone, etc., away from the player.
-

CD Player

“No disc” lights in the display even when a CD is in place.

- Place the CD with the label surface up.
 - The CD-R/CD-RW was not finalized. Finalize the CD-R/CD-RW with the recording device.
 - There is a problem with the quality of the CD-R/CD-RW, recording device, or application software.
 - The CD-R/CD-RW is blank.
 - Replace all the batteries with new ones if they are weak.
-

The CD does not play.

- Place the CD with the label surface up.
 - Clean the CD.
 - Take out the CD and leave the CD compartment open for about an hour to dry moisture condensation.
-

continued

The sound drops out.

- Reduce the volume.
 - Clean the CD, or replace it if the CD is badly damaged.
 - Place the player in a location free from vibration.
 - Clean the lens with a commercially available blower.
 - The sound may drop out or noise may be heard when using poor quality CD-Rs/CD-RWs or if there is a problem with the recording device or application software.
-

“No File” is displayed.

- You are trying to play a CD-R/CD-RW that does not contain an ATRAC file or MP3 file. (page 4)
-

The CD lid will not open.

- The batteries are weak. Replace all the batteries with new ones.
If you need to open the CD lid before you replace the batteries, slide the CD LID OPEN switch on the bottom of the player with a sharp instrument or tool.
-

Radio

The audio is weak or has poor quality.

- Replace all the batteries with new ones if they are weak.
 - Move the player away from the TV.
-

The picture of your TV becomes unstable.

- If you are listening to an FM program near the TV with an indoor antenna, move the player away from the TV.
-

Remote

The remote does not function.

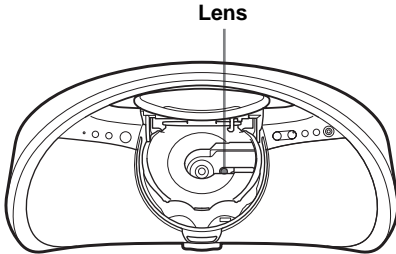
- Replace all the batteries in the remote with new ones if they are weak.
 - Make sure that you are pointing the remote at the remote sensor on the player.
 - Remove any obstacles in the path of the remote and the player.
 - Make sure the remote sensor is not exposed to strong light such as direct sunlight or fluorescent lamp light.
 - Move closer to the player when using the remote.
-

After trying the above remedies, if you still have problems, unplug the AC power cord and remove all the batteries. After all the indications in the display disappear, plug the power cord and insert the batteries again. If the problem persists, please consult your nearest Sony dealer.

Maintenance

Cleaning the lens

If the lens becomes dirty, it may cause a skipping of sound during CD operation. Clean with a commercially available blower.



Cleaning the cabinet

Clean the cabinet, panel and controls with a soft cloth slightly moistened with a mild detergent solution. Do not use any type of abrasive pad, scouring powder, or solvent, such as alcohol or benzine.

Specifications

AUDIO POWER SPECIFICATIONS POWER OUTPUT AND TOTAL HARMONIC DISTORTION

With 3.2-ohm loads, both channels driven from 100 - 10,000 Hz; rated 1.7 W per channel-minimum RMS power, with no more than 10 % total harmonic distortion in AC operation.

Other Specifications

CD player section

System

Compact disc digital audio system

Laser diode properties

Material: GaAlAs

Wave length: 780 nm

Emission duration: Continuous

Laser output: Less than 44.6 μ W

(This output is the value measured at a distance of about 200 mm from the objective lens surface on the optical pick-up block with 7 mm aperture.)

Spindle speed

400 r/min (rpm) to 1 000 r/min (rpm) (CLV)

Number of channels

2

Frequency response

20 - 20 000 Hz +0/-1 dB

Wow and flutter

Below measurable limit

Radio section

Frequency range

FM: 87.5 - 108 MHz

AM: 530 - 1 710 kHz

Antennas

FM: Telescopic antenna

AM: Built-in ferrite bar antenna

General

Speaker

Full range: 8 cm (3 1/4 in.) dia.,
3.2 Ω , cone type (2)

Output

Headphones jack (stereo minijack):

For 16 - 64 Ω impedance headphones

Power output

2.3 W + 2.3 W (at 3.2 Ω , 10 % harmonic distortion)

Power requirements

For player:

120 V AC, 60 Hz

9 V DC, 6 size C (R14) batteries

For remote control:

3 V DC, 2 size AAA (R03) batteries

Power consumption

16 W

Battery life

For player:

CD playback

Sony R14P: approx. 1.5 h

Sony alkaline LR14: approx. 8 h

Radio reception

Sony R14P: approx. 6 h

Sony alkaline LR14: approx. 20 h

Dimensions

Approx. 455 \times 214 \times 180 mm (w/h/d)

(18 \times 8 1/2 \times 7 1/8 inches) (incl. projecting parts)

Mass

Approx. 3.5 kg (7 lb. 11 oz) (incl. batteries)

Supplied accessories

AC power cord (1)

Remote control (1)

CD-ROM (SonicStage) (1)

SonicStage Installation/Operating Guide (1)

US and foreign patents licensed from Dolby Laboratories.

Design and specifications are subject to change without notice.

Optional accessories

Sony MDR headphones series

Index

A

- ATRAC CD 5
 - about ATRAC3 5
 - display 12
 - playing order 8
- Audio emphasis 23

B

- Batteries
 - for player 25
- Bookmark track play 17

C

- CDDA format 5
- CD player 6
- CD-ROM (SonicStage) 4
- Choosing power sources 25
- Cleaning
 - cabinet 29
 - lens 29
- Connecting AC power cord 25
- Creating your own program 19

D, E

- Display 12

F, G, H

- Falling asleep to music 24

I, J, K

- ID3 tag 12
- Improving broadcast reception 11

L

- Listening to the radio 10
- Locating a specific track 13

M, N, O

- m3u play list play 18
- Maintenance 29
- MEGA BASS 23
- MP3
 - about MP3 5
 - display 12
 - playing order 8

P, Q

- Playing
 - a CD 6
 - preset radio stations 21
 - tracks in random order 16
 - tracks repeatedly 20
- Power sources 25
- Precautions 26
- Presetting radio stations 21
- Program play 19

R

- Radio stations
 - playing 22
 - presetting 21
- Repeat play 20

S

- Search 13
- Selecting
 - audio emphasis 23
 - tracks 13
- Setting up 25
- Shuffle play 16
- SonicStage 4
- Specifications 30

T

- Timer 24
- Troubleshooting 27

U, V, W, X, Y, Z

- Using the display 12

For the customers who purchased this product in the USA
Product registration

Please register this product on line at www.sony.com/boomboxreg
<<http://www.sony.com/boomboxreg>>

Proper registration will enable us to send you periodic mailings about software upgrades, new products, services and other important announcements. Thank you.

If you have any questions about this product, contact:

- www.sony.com/boomboxsupport
- Sony Network Portable Audio Support Line
1-(866)-456-7669
- Sony Customer Information Services Center
12451 Gateway Blvd., Ft. Myers, FL 33913

Free Manuals Download Website

<http://myh66.com>

<http://usermanuals.us>

<http://www.somanuals.com>

<http://www.4manuals.cc>

<http://www.manual-lib.com>

<http://www.404manual.com>

<http://www.luxmanual.com>

<http://aubethermostatmanual.com>

Golf course search by state

<http://golfingnear.com>

Email search by domain

<http://emailbydomain.com>

Auto manuals search

<http://auto.somanuals.com>

TV manuals search

<http://tv.somanuals.com>