

SONY[®]

***Wireless LAN
Access Point
PCWA-A320***

***Quick Start Guide
Kurzeinführung
Manuel de mise en route***


CONTENTS

English - Quick Start Guide	page 3
Deutsch - Kurzeinführung	Seite 23
Français - Manuel de mise en route.	page 45



Quick Start Guide

Trademarks

- Sony, VAIO, the CarrierGate logo, the  logo and the Eco Info logo are trademarks of Sony Corporation.
- Microsoft and Windows are registered trademarks of Microsoft Corporation in the United States and/or other countries.
- In this manual, Microsoft® Windows® XP Home Edition and Microsoft® Windows® XP Professional are referred to as Windows XP.
- Netscape is a registered trademark of Netscape Communications Corporation.
- All other names of systems, products and services are trademarks of their respective owners. In this manual the TM or [®] marks are not specified.

Introduction

This document provides an overview of the Wireless LAN Access Point PCWA-A320 features and the necessary configuration steps.

Unpacking your Access Point

Once you have unpacked the unit, make sure that all of the following items are present:

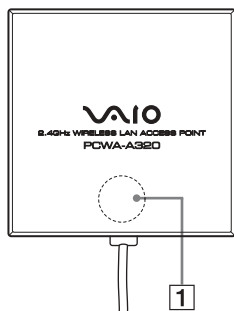
- Wireless Unit
- Power cord (2x)
- CD-ROM (setup disc)
- Quick Start Guide
- Troubleshooting Guide
- Warranty leaflet
- Regulatory Leaflet
- Power Unit



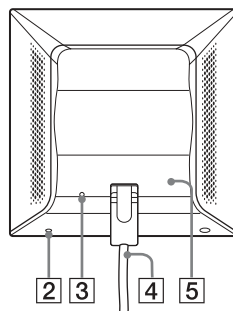
Names of parts and functions

Wireless Unit

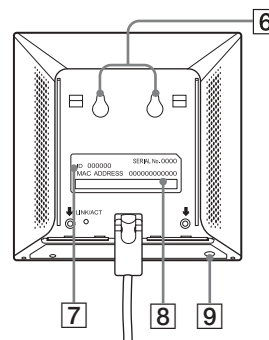
Front



Rear

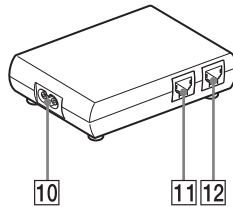


(With rear cover removed)



- | | | |
|---|---------------------|--|
| 1 | STATUS indicator | Indicates the status of the Wireless Unit.
Booting: quickly flashes white.
Normal : slowly flashes white
During firmware update : flashes red
During Quick Setup : flashes red
If firmware update fails : continues flashing red after firmware update (from this state, you must update the firmware again). |
| 2 | Reset switch | Returns the Wireless Unit settings to their factory defaults. |
| 3 | LINK/ACT indicator | Lights when an Ethernet cable is connected to the NETWORK connector on the Power Unit. |
| 4 | Wireless unit cable | Connects to the WIRELESS UNIT connector on the Power Unit. |
| 5 | Rear cover | Remove this cover if you want to hang the Wireless Unit to a wall and to verify the MAC address and Network Name (SSID). |
| 6 | Wall mounting holes | Use these holes to hang the Wireless Unit to the wall. |
| 7 | ID | The six-character hexadecimal unique product ID is printed here. This ID is used as the default Network Name (SSID) of the Wireless Unit. |
| 8 | MAC address | The Wireless Unit MAC address is printed here. |
| 9 | Quick Setup switch | Use this switch to set up the Wireless LAN Converter PCWA-DE30. Refer to the Quick Start Guide of the Wireless LAN Converter or Help for details. |

Power Unit



- | | | |
|----|-------------------------|--|
| 10 | 100-240 V AC jack | Connect the supplied power cord here. |
| 11 | WIRELESS UNIT connector | Connect the Wireless Unit cable here. |
| 12 | NETWORK connector | Connect the Wireless Unit to your computer or other device using an Ethernet cable.
Use a straight-through or crossover Ethernet cable. |

Factory default settings

The factory default settings of the Access Point are:

<i>NAME</i>	<i>DEFAULT SETTING</i>
Network Name (SSID)	The six characters printed on the label under the rear cover of the Access Point (Wireless Unit)
Encryption (WEP)	Disabled
Frequency (Channel)	Auto Select
Broadcast Network Name (SSID)	Yes
Access Control	Accept all
Connection Method	Obtain an IP address automatically (DHCP)
DNS server	-
Speed	Auto-Detect
Quick Setup Switch	Enable
Time Server (NTP Server)	-

To reset to the Access Point factory default settings, proceed as follows:

- 1 Turn on the unit.
- 2 Press and hold the Reset switch on the bottom of the Wireless Unit for at least a second with a paper clip.
Be careful not to press the Quick Setup switch by mistake when you reset the Wireless Unit.
- 3 When the status indicator flashes, release the Reset switch.
The Wireless Unit restarts automatically with all settings returned to its factory defaults.

Capabilities

Wireless access to the Internet from a variety of locations

The Wireless LAN Access Point PCWA-A320 (hereafter referred to as Access Point) is an IEEE 802.11g compliant bridge-type 2.4 GHz wireless LAN access point. You can use the Access Point as a base station to build a wireless LAN system consisting of computers equipped with Wireless LAN PC Cards or Wireless LAN Converters.

If you want to enable the computers that are connected to the wireless LAN to access the Internet, simply connect the Access Point to a DSL modem, cable modem, ISDN router, broadband router or another similar communication device, or to an Ethernet LAN (wired LAN) that is connected to the Internet.



- Use an Ethernet cable to connect the Access Point to the communication device. You cannot use a USB connection to connect the Access Point to a communication device. Connect the Access Point to a communication device with a router function. If the communication device does not have a router function (such as a cable modem), a separate broadband router is required.

Installation, connection and setup procedures

- 1 Perform the necessary preparations and confirmations for connection.
- 2 Connect the Access Point.
- 3 Establish a communication session between the computer and the Access Point.
- 4 Install the Utility Software.
- 5 Configure the Access Point settings.
- 6 Configure the computer settings.
- 7 Install the Access Point.

Procedure 1 - Preparing and confirming the connections

The procedure in this guide describes the connection process using the factory default settings.

The factory default settings of the Access Point function are:

- Network Name (SSID) : the 6-character identifier printed on the label inside the rear cover of the Wireless Unit.
- Encryption (WEP) : disabled.

Before setting up the Access Point, do the following:

- 1 Set up the Wireless LAN PC Card or Wireless LAN Converter.
Perform the required software installation and settings according to the instructions provided with your Wireless LAN PC Card or Wireless LAN Converter to make it operational. Refer to the manuals provided with your Wireless LAN PC Card or Wireless LAN Converter.
- 2 Prepare a communication device that can function as a router (such as a broadband router or an ADSL modem router).
- 3 Configure the computer firewall settings.
If you are using the Windows XP Internet Connection Firewall or another personal firewall, you may need to change the security level setting. Carefully read the Computer Firewall Functions section in this manual.

Computer Firewall Functions

When using the Windows XP **Internet Connection Firewall** function: enabling the Windows XP Internet Connection Firewall function may prevent the computer from being accessed externally (this function is disabled by default). This function can prevent connection to your network when you change your Access Point settings. If this happens, disable the Internet Connection Firewall function, connect to the network and then re-enable the function. Refer to the Windows XP Help for details.

-
- Make sure that you take appropriate security measures when the Internet Connection Firewall function is disabled.

When using personal firewall software provided standalone or as part of anti-virus or network security software:

antivirus scanning and network security software sometimes includes a function called a **personal firewall** intended to prevent unauthorised access by other computers. Depending on the software, the security level of this function may initially be set to a high level. If this high security level setting is left enabled, other computers may be unable to access your computer. This can cause problems such as not being able to connect to the network when changing the Wireless Broadband Router settings. In this event, lower the security level to allow the network connection. While the security level is lowered, pay special attention to security. It is highly recommended that you return to the original settings after setting up the Wireless Broadband Router.

- Pay special attention to security issues.
For questions about firewall functions, please contact your firewall software manufacturer.

For more details about the Access Point settings, consult the Help files.

To display Help:

Click **Start**, point to **Programs (All Programs in Windows XP)**, **Wireless LAN** and click **Access Point Scan Help**.

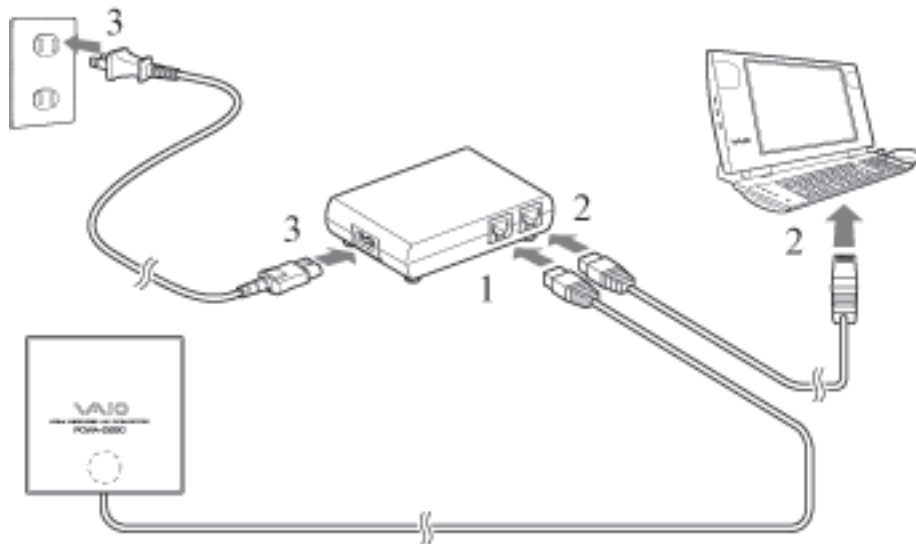
To display Help for the Access Point Setup Page:

Click **Help** on the Access Point Setup Page.

Procedure 2 - Connecting the Access Point

Connect the DSL modem, ISDN router, broadband router or Ethernet LAN.

- 1 Connect the Wireless Unit and Power Unit.
- 2 Connect your DSL modem, ISDN router, broadband router or Ethernet LAN hub to the power unit with an Ethernet cable.
- 3 Connect to the power outlet.



- The Access Point does not have a power switch.
You can use either a straight-through or cross-over Ethernet cable.
- Depending on your provider, you may need to make settings on your computer and with various connection tools. If this is the case, go to Procedure 3 after making the required settings.
Connect the Access Point to a communication device with a router function. If the communication device does not have a router function (such as a cable modem), a separate broadband router is required.

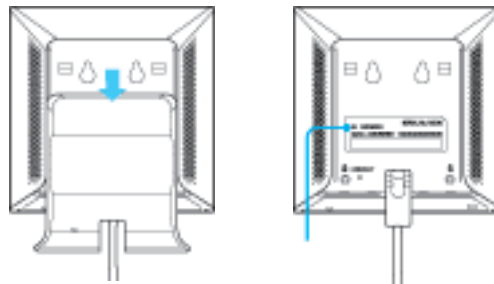
Establishing a wireless connection

Procedure 3 - Establishing a communication session between the computer and the Access Point

The procedure in this guide describes the connection process using the factory default settings.

The factory default settings of the Access Point function are:

- Network Name (SSID) : the 6-character identifier printed on the label inside the rear cover of the Wireless Unit.
- Encryption (WEP) : disabled.



Remove the rear cover by sliding it in the direction of the arrow.

Network Name (SSID)

This ID is used as the default Network Name (SSID).

Configure the wireless communication settings on the computer and then establish a communication session between the computer and your Access Point. Refer to the manuals provided with your Wireless LAN PC Card or Wireless LAN Converter for the configuration procedure.

When you are done, check that an IP address is assigned to the computer. Although communication is possible from this state, for security reasons, be certain to perform the subsequent procedures to change the factory default settings.

- The Network Name (SSID) may also be called **ESSID** or **Network ID**, depending on the particular device.
Encryption may also be called **encoding** or **security** depending on the particular device. When using the Windows XP operating system with a Wireless LAN PC Card, on the **Start** menu, click **Connect to, Wireless Network Connection** and make the communication settings that affect the connection to the Access Point from the dialog box that appears. If no **Wireless Network Connection** item can be found on the **Start** menu, click **Control Panel, Network and Internet Connections, Network Connection** and double-click **Wireless Network Connection**.

Access Point Settings

Procedure 4 - Installing the Utility Software

Install the Access Point Scan Utility to be able to detect the Access Point on the computer.

- 1 Insert the supplied CD-ROM into the computer to which the Wireless LAN Card or Wireless LAN Converter is connected.
- 2 For computers running Windows Me or Windows 2000, double-click the **My Computer** icon on the desktop.
For computers running Windows XP, click **Start** and select **My Computer**.

-
- 3 In **My Computer**, click the CD-ROM drive icon and then double-click **setup.exe**.

The installation program starts. Follow the on-screen instructions and install the utility software.

- Depending on your computer's settings, the file name **Setup.exe** may be displayed as **Setup**.

Procedure 5 - Configuring the Access Point settings

Display the Access Point Setup Page and set up the Access Point.

The following browsers are compatible:

- Internet Explorer 5.5 or later;
- Netscape 6.1 or later.
- To display the Wireless LAN Access Point Setup Page from the PCWA-A320 Access Point software, set one of the Web browsers above as your computer's default Web browser. If your Web browser is configured to use a proxy server, set the browser proxy settings so the browser does not use a proxy server for the IP address of the Access Point. For details on how to disable the proxy settings, consult your Troubleshooting Guide - Case 3.
- The Wireless LAN Access Point Setup Page is saved in the internal memory of the Access Point.

Proceed as follows to configure the Access Point settings:

- 1 Click the **Start** button, point to **Programs (All Programs in Windows XP)**, **Wireless LAN** and click **Access Point Scan**.
The **Scan Utility** starts up, and automatically searches for Access Points on the same network. Once the Scan Utility finishes searching for Access Points, it displays a list of Access Points.
If the Scan Utility does not find any Access Points, move the computer to a location that provides good conditions for wireless communication with the Access Point and click **Scan** to search again. For details, refer to the Troubleshooting Guide - Case 1.
- 2 Select the Access Point to which you want to connect from the list of Access Points that were found by the Scan Utility.
If multiple Access Points are shown in the list, check the MAC addresses. Each Access Point's MAC address is printed on a bar code label inside the rear cover of the Wireless Unit. After checking the MAC address, make sure to reconnect the Ethernet cable.

-
- 3 Click **Access Point Setup Page**.
The Access Point Setup Page appears.
If the **Access Point Setup Page** does not appear, check whether a proxy server is specified in the Web browser settings. If a proxy server is specified, the Access Point Setup Page cannot be displayed. Set the browser's proxy settings so that the IP address of the Access Point bypasses the proxy server. Refer to your Troubleshooting Guide - Case 3 or refer to the Access Point Setup Utility Help for details about bypassing the proxy server.
 - 4 Click **Easy Setup**.
The **Easy Setup** window appears.
 - 5 Enter the network name (SSID).
The network name (SSID) is an ID that serves to identify the wireless network. Enter up to 32 letters, numbers or symbols.
It is recommended that you write down the network name for future reference.
 - 6 Set **Encryption (WEP)** to **Enable**.
Encryption (WEP) encodes wireless communication sessions and prevents unauthorised access to the network.
 - 7 Select **Key Length**.
The encryption key is the password required for WEP communications on the encrypted network.
 - 8 If you select **40-bit** for the **Key Length**, enter the encryption key and re-enter it again at **WEP Key (confirmation)**.
Enter up to five letters, numbers and symbols. If you select **104-bit (WEP 128-bit)** for the **Key Length**, enter up to 13 letters, numbers and symbols.
It is recommended that you write down the encryption key for future reference.
 - 9 Click **Next**.
The setup confirmation window appears.
 - 10 Click the **Execute Setup** button if you are satisfied with the displayed settings.
Click the **Back** button to modify the settings. You will then return to the previous page.
 - 11 If you are satisfied with the displayed settings, close the Web browser.
 - While changing the wireless settings, the connection to the Access Point is disabled. After completing Procedure 5, read Procedure 6 and reestablish the connection.

Procedure 6 - Configuring computer settings

Configure the Network Name (SSID) and Encryption (WEP) wireless communication settings on the computer to match those set on the Access Point in Procedure 5. After making the settings of your computer, communication with the Access Point will be enabled.

Refer to the instructions of your Wireless LAN PC Card or Wireless LAN Converter.

Installing the Access Point

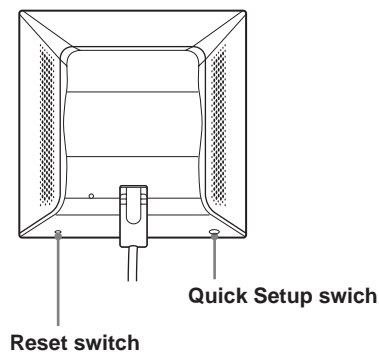
Procedure 7 - Installing the Access Point

When configuration is finished, install the Access Point. Its settings are stored so that even when it is turned off, the settings are preserved. The Wireless Unit can be hung to walls.

The settings are now complete.

Resetting the Access Point to factory defaults

- 1 Turn on the Access Point.
- 2 With a paper clip or similar object, press and hold the **Reset** switch at the bottom of the Wireless Unit for at least one second. When you press the **Reset** switch, the indicator on the front of the Wireless Unit lights red and it starts flashing when the switch is pressed for one second.



- 3 When the status indicator starts flashing red, release the **Reset** switch. The Access Point restarts under the default settings.

Obtaining the latest Access Point Firmware

- 1 Go to <http://www.vaio-link.com>
- 2 Check the Wireless LAN Access Point PCWA-A320 page.
It is recommended that you regularly check for firmware updates.

This description assumes that the connection is established with the factory default settings.

Here are some other things you can do:

- Set an administrator password and guest password;
- Set the Access Point date and time;
- Set the IP address manually.

For details, see the online Help of the Access Point Setup page.

Sony's support options

This section describes how to get help and support from Sony.

- Quick Start Guide (this manual) : explains how to install the Access Point.
- Troubleshooting Guide : provides solutions to the most common problems users have with their Access Point.
- Online Help for the Access Point Setup Page : explains how to configure the Access Point.
- Sony's support website : <http://www.vaio-link.com/> provides the latest information on your Access Point.

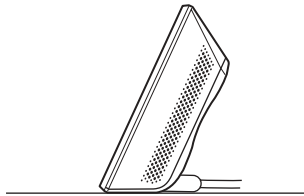
Installation precautions

Installation

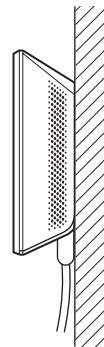
Select a secure location for the Wireless Unit where it cannot drop or fall over. Route the cable to the Wireless Unit to suit the installation location.

Installation examples

- Desktop installation



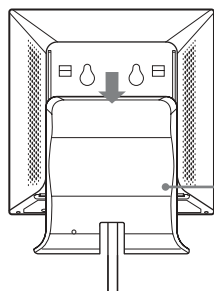
- Hanging



- Do not install in an insecure location. Do not install in a location where the Wireless Unit could fall as a result of shock or vibration, such as on the edge of a shelf. Do not install in a location where the Wireless Unit or the cables could be accidentally bumped by a person or other objects.

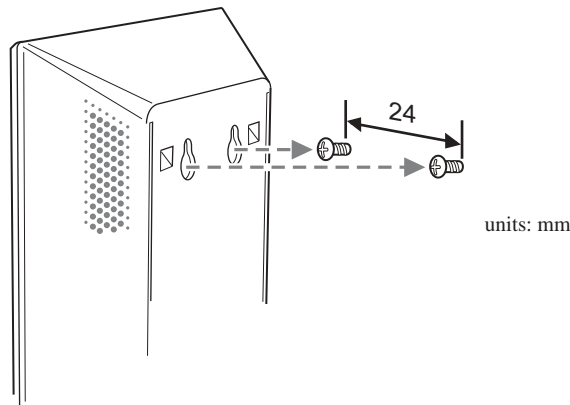
Hanging the units

- 1 Locate the wall mounting holes.



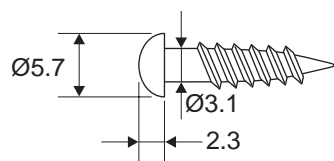
To hang the Wireless Unit to a wall, remove the rear cover by sliding it in the direction of the arrow.

- 2 Hang the unit to a wall by using screws or nails.
The wireless Unit does not come with any sort of fittings used to hang it. Use screws of sufficient strength to support it.



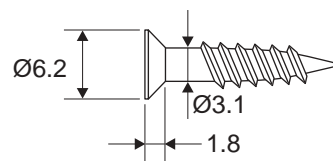
- Always use two screws or nails and make sure that the unit is secure on the wall. Select a location that will hold the weight of the unit when hanging it to a wall. If the location cannot hold the weight of the unit, it may fall and cause accidents. When hanging the unit to walls made of plasterboard or other brittle material, make sure that the material is strong enough to support the unit's weight and use special screw fasteners or other fixtures designed for use with that material. If the unit is hung with ordinary screws, it may fall. When hanging the unit to a wall, be careful not to drop the unit or the tools used for doing the work. Dropping the unit or tools could result in unforeseen accidents.

Recommended screws
Roundhead screws



units: mm

• **Flathead screws**



Precautions

For regulatory issues or precautions for a safe use, please check the Wireless LAN Regulations Guide.

Power Unit

Use the Power Unit and the power cord supplied with the Access Point. Using a different power unit may result in damage and/or injury.

Safety

Do not drop the Access Point. Careful handling helps to prevent damage.

Installation

Do not place the Access Point where it is exposed to the following conditions:

- Unstable surfaces;
- High humidity or poor ventilation;
- Excessive dust;
- Direct sunlight or extreme heat;
- Closed cars;
- Magnetic fields (near magnets, speakers or televisions);
- Frequent vibration;
- Locations where the transmission of radio waves may be obstructed by metal plates or concrete walls.

Operation

Exposure to rapid changes in temperature or very damp environments can cause condensation on internal parts. This may prevent the Access Point from operating properly.

If this should happen, unplug the power cord from the power outlet and allow the Access Point to dry for two or three hours.

Cleaning

Clean the casing with a soft cloth lightly moistened with water or a mild detergent solution. Do not use any type of abrasive pad, scouring powder or solvent such as alcohol or benzene. This may damage the finish of the casing.

Emergencies

In case of an emergency, stop the wireless functions by unplugging the power cord.

Specifications

Power	AC100 - 240V, 50/60 Hz
Power consumption	Approx. 5 W
Interfaces	100BASE-TX/10BASE-T (automatic MDI/MDI-X detection)
Maximum external dimensions	Approx. 98x98x33 mm (WxHxD)
Weight	Approx. 320 g (inc. connection cable)
Recommended number of connected clients	16 or less
Protocol support	TCP/IP
Standards	IEEE 802.11b IEEE 802.11g
Radio frequency	2.4 GHz wireless network: 2.4 to 2.4835 GHz (ISM band)
Maximum connection distance	Line of sight approx. 100 m (the maximum connection distance depends on the environment)
WEP (data encryption)	64 bits/128 bits
Modulation methods	DS-SS OFDM
Operating temperature	5° C to 35° C (no condensation)
Storage temperature	-20° C to 60° C (no condensation)



Kurzeinführung

Marken

- Sony, VAIO, das CarrierGate-Logo, das -Logo und das Eco Info-Logo sind Marken der Sony Corporation.
- Microsoft und Windows sind eingetragene Marken der Microsoft Corporation in den USA und/oder in anderen Ländern.
- In diesem Handbuch werden Microsoft® Windows® XP Home Edition und Microsoft® Windows® XP Professional als Windows XP bezeichnet.
- Netscape ist eine eingetragene Marke der Netscape Communications Corporation.
- Alle anderen System-, Produkt- und Dienstleistungsamen sind Marken ihrer jeweiligen Inhaber. Auf die Zeichen™ und® wird in diesem Handbuch verzichtet.

Einführung

Dieses Dokument bietet einen Überblick über den Wireless LAN Access Point PCWA-A320-Funktionen und die notwendigen Konfigurationsschritte.

Auspacken des Access Points

Prüfen Sie nach dem Auspacken, dass alle folgenden Objekte vorhanden sind:

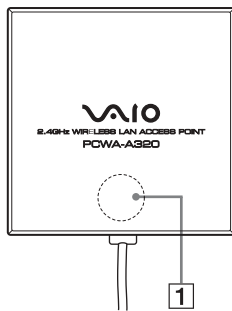
- Wireless-Einheit
- Netzanschlusskabel (2 x)
- CD-ROM
(Installations-CD-ROM)
- Kurzeinführung
- Handbuch zur Fehlerbehebung
- Garantieerklärung
- Sicherheitsstandards
- Netzeinheit



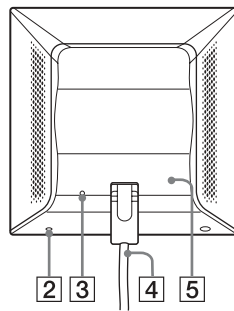
Bezeichnungen und Funktionen der Teile

Wireless-Einheit

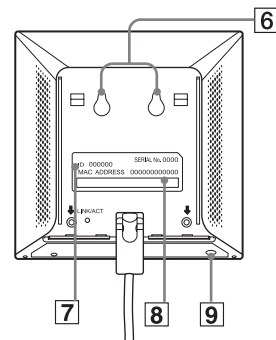
Vorderseite



Rückseite

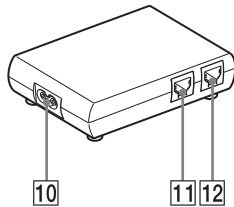


(ohne Rückseitenabdeckung)



- | | |
|---|--|
| 1 Kontrollleuchte | Zeigt den Status der Wireless-Einheit an.
Neustart: blinkt in kurzen Zeitabständen weiß.
Normal: blinkt in längeren Zeitabständen weiß.
Während des Firmware-Updates: blinkt rot.
Während der Schnellkonfiguration: blinkt rot.
Bei Fehlschlagen des Firmware-Updates: blinkt weiterhin rot nach Firmware-Update (in diesem Fall müssen Sie die Firmware erneut aktualisieren). |
| 2 Schalter zum Zurücksetzen | Setzt die Einstellungen der Wireless-Einheit auf die werkseitigen Standardeinstellungen zurück. |
| 3 LINK/ACT-Leuchte | Leuchtet auf, wenn das Ethernetkabel am NETZWERK-Anschluss der Netzeinheit angeschlossen ist. |
| 4 Kabel der Wireless-Einheit | Verbindungskabel für den Anschluss für die WIRELESS-EINHEIT an der Netzeinheit. |
| 5 Abdeckung der Rückseite | Entfernen Sie die Abdeckung, um die Wireless-Einheit an die Wand zu hängen sowie um die MAC-Adresse und den Netzwerknamen (SSID) zu prüfen. |
| 6 Montagelöcher zur Befestigung an der Wand | Verwenden Sie diese Löcher, um die Wireless-Einheit an der Wand zu befestigen. |
| 7 ID | Hier ist die eindeutige Produkt-ID aufgedruckt. Sie besteht aus einem sechsstelligen Hexadezimalwert. Diese ID wird als Standardnetzwerkname (SSID) der Wireless-Einheit verwendet. |
| 8 MAC-Adresse | Hier ist die MAC-Adresse der Wireless-Einheit aufgedruckt. |
| 9 Schalter für Schnellkonfiguration | Verwenden Sie diesen Schalter, um den Wireless LAN Converter PCWA-DE30 einzurichten. Weitere Einzelheiten finden Sie in der Kurzeinführung oder der Hilfe zu Wireless LAN Converter. |

Netzeinheit



10 100-240 V
Anschlussbuchse für
Wechselstrom

Schließen Sie das mitgelieferte Netzanschlusskabel hier an.

11 Anschluss für
WIRELESS-EINHEIT

Schließen Sie hier das Kabel für die Wireless-Einheit an.

12 NETZWERK-Anschluss

Schließen Sie die Wireless-Einheit mit einem Ethernet-Kabel
an Ihren Computer oder an ein anderes Gerät an.
Verwenden Sie ein durchgängiges oder ein Ethernet-
Übergangskabel.

Werkseitige Standardeinstellungen

Die Standardeinstellungen für den Access Point lauten:

<i>NAME</i>	<i>STANDARDEINSTELLUNGEN</i>
Netzwerkname (SSID)	Entspricht den 6 Zeichen auf dem Schild am Rückgehäuse des Access Points (Wireless-Einheit)
Verschlüsselung (WEP)	Deaktiviert
Frequenz (Kanal)	Automatisch auswählen
Netzwerkname übermitteln (SSID)	Ja
Zugriffskontrolle	Alle akzeptieren
Verbindungsmethode	IP-Adresse automatisch beziehen (DHCP)
DNS-Server	-
Geschwindigkeit	Automatisch erkennen
Schalter für Schnellkonfiguration	Aktivieren
Zeitserver (NTP-Server)	-

Um einen Access Point auf die werksseitigen Standardeinstellungen zurückzusetzen, gehen Sie wie folgt vor:

- 1 Schalten Sie die Einheit ein.
- 2 Halten Sie den Reset-Schalter unten an der Wireless-Einheit für mindestens eine Sekunde mit einer Büroklammer gedrückt. Achten Sie darauf, dass Sie beim Zurücksetzen der Wireless-Einheit nicht aus Versehen den Schalter für die Schnellkonfiguration drücken.
- 3 Wenn die Statusanzeige blinkt, lassen Sie den Reset-Schalter los. Die Wireless-Einheit wird automatisch mit allen werksseitigen Standardeinstellungen neu gestartet.

Funktionen

Drahtloser Zugang zum Internet von verschiedenen Standorten

Der Wireless LAN Access Point PCWA-A320 (nachfolgend Access Point genannt) ist ein IEEE 802.11g-kompatibler brückenartiger 2,4 GHz Wireless LAN Access Point. Sie können den Access Point als Basisstation verwenden, um ein Wireless LAN-System aus Computern aufzubauen, die mit Wireless LAN PC Cards oder Wireless LAN Converters ausgerüstet sind.

Wenn Sie für die Computers, die an das Wireless LAN-System angeschlossen sind, den Zugang zum Internet aktivieren möchten, schließen Sie einfach den Access Point an das DSL-Modem, Kabelmodem, den ISDN-Router, den Breitband-Router bzw. ein ähnliches Kommunikationsgerät oder an ein Ethernet LAN-Adapter (drahtgebundenes LAN) an, das jeweils mit dem Internet verbunden ist.



- Verwenden Sie ein Ethernet-Kabel, um den Access Point mit dem Kommunikationsgerät zu verbinden. Sie können den Access Point nicht über einen USB-Anschluss an ein Kommunikationsgerät anschließen. Verbinden Sie den Access Point mit einem Kommunikationsgerät mit Router-Funktion. Wenn das Kommunikationsgerät nicht über eine Router-Funktion verfügt, wie z.B. ein Kabelmodem, ist ein separater Breitband-Router erforderlich.

Installation, Anschluss und Setup

- 1 Führen Sie die notwendigen Vorgänge zum Vorbereiten und Bestätigen der Verbindung durch.
- 2 Schließen Sie den Access Point an.
- 3 Stellen Sie eine Kommunikationsverbindung zwischen dem Computer und dem Access Point her.
- 4 Installieren Sie die Dienstsoftware.
- 5 Konfigurieren Sie die Access Point-Einstellungen.
- 6 Konfigurieren Sie die Computer-Einstellungen.
- 7 Installieren Sie den Access Point.

Schritt 1 – Vorbereiten und Bestätigen der Verbindung

Das Verfahren in diesem Handbuch beschreibt den Verbindungsprozess unter Verwendung der werkseitigen Standardeinstellungen.

Die Standardeinstellungen für den Access Point lauten:

- Netzwerkname (SSID): die 6-stellige Kennung ist auf ein Etikett innen auf der Abdeckung der Rückseite der Wireless-Einheit gedruckt.
- Verschlüsselung (WEP): deaktiviert.

Gehen Sie vor dem Setup des Access Points wie folgt vor:

- 1 Legen Sie die Wireless LAN PC Card oder den Wireless LAN Converter fest. Installieren Sie die notwendige Software und legen Sie die Einstellungen fest, wie in der Betriebsanleitung Ihrer Wireless LAN PC Card oder Ihres Wireless LAN Converter angegeben wird. Weitere Informationen finden Sie in den Handbüchern zu Ihrer Wireless LAN PC Card oder Ihrem Wireless LAN Converter.
- 2 Bereiten Sie ein Kommunikationsgerät vor, das als Router dienen kann (z.B. ein Breitband-Router oder ein ADSL-Modem-Router).
- 3 Konfigurieren Sie die Firewall-Einstellungen des Computers. Wenn Sie die Windows XP-Internetverbindungsfirewall oder eine individuelle Firewall verwenden, müssen Sie möglicherweise die Einstellungen der Sicherheitsstufe ändern. Lesen Sie gründlich den Abschnitt zu den Funktionen der Firewall des Computers.

Firewall-Funktionen des Computers

Die Funktion der **Internetverbindungsfirewall** unter Windows XP:

Die Aktivierung der Windows XP-Internetverbindungsfirewall verhindert einen möglichen Zugriff von außerhalb auf den Computer (diese Funktion ist standardmäßig aktiviert). Diese Funktion kann die Netzwerkverbindung verhindern, wenn Sie den Access Point wechseln. Deaktivieren Sie in diesem Fall die Funktion für die Internetverbindungsfirewall, stellen Sie eine Netzwerkverbindung her, und aktivieren Sie dann die Funktion erneut. Nähere Informationen finden Sie in der Windows XP-Hilfe.

- Stellen Sie sicher, dass Sie die geeigneten Sicherheitsmaßnahmen ergreifen, wenn die Internetverbindungsfirewall deaktiviert ist.

Wenn Sie eine individuelle Firewall-Software verwenden, die separat, als Teil einer Anti-Virus- oder Sicherheitssoftware bereitgestellt wurde: Antivirenprogramme oder Software-Anwendungen für die Netzwerksicherheit enthalten manchmal eine Funktion, die **individuelle Firewall** genannt wird, durch die der unerwünschte Zugang von anderen Computern verhindert wird. Je nach Software ist die Sicherheitsstufe dieser Funktion ursprünglich sehr hoch eingestellt. Wenn diese hohe Sicherheitsstufe aktiviert bleibt, ist der Zugriff auf Ihren Computer von anderen Computern möglicherweise nicht möglich. Dies kann Probleme verursachen. Sie können möglicherweise keine Netzwerkverbindung herstellen, wenn Sie die Einstellungen des Wireless Broadband Routers ändern. Setzen Sie die Sicherheitsstufe in diesem Fall auf ein niedrigeres Niveau, damit eine Netzwerkverbindung hergestellt werden kann. Wenn die Sicherheitsstufe niedriger eingestellt ist, achten Sie besonders auf die Sicherheit. Es wird stark empfohlen, dass Sie nach dem Setup des Wireless Broadband Routers zu den Originaleinstellungen zurückkehren.

- Achten Sie besonders auf die Sicherheitsaspekte.
Wenden Sie sich bei Fragen in Bezug auf die Firewall-Funktionen an Ihren Firewall-Hersteller.

Weitere Einzelheiten zu den Einstellungen des Access Points finden Sie in der Online-Hilfe.

So zeigen Sie die Online-Hilfe an:

Klicken Sie auf **Start**, zeigen Sie auf **Programme (Alle Programme in Windows XP)**, **Wireless LAN** und klicken Sie auf **Access Point Scan-Hilfe**.

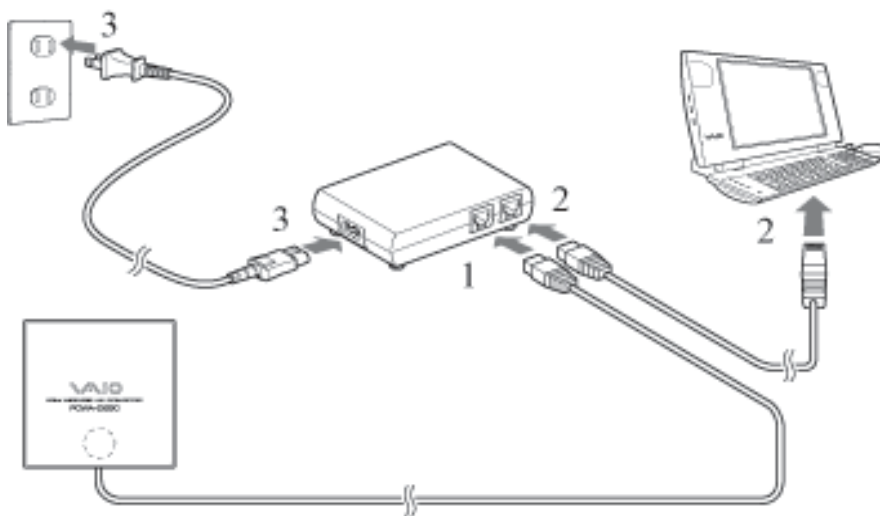
So zeigen Sie die Hilfe zur Access Point Setup-Seite an:

Klicken Sie auf der Access Point-Setup-Seite auf **Hilfe**.

Schritt 2 – Anschließen des Access Points

Schließen Sie das DSL-Modem, den ISDN- oder Breitband-Router oder den Ethernet LAN-Hub an.

- 1 Schließen Sie die Wireless-Einheit an die Netzeinheit.
- 2 Schließen Sie Ihr DSL-Modem, Ihren ISDN- oder Breitband-Router oder Ethernet LAN-Hub mit einem Ethernetkabel an die Netzeinheit.
- 3 Schließen Sie die Netzeinheit an die Steckdose an.



- Der Access Point verfügt über keinen Netzschalter. Sie können entweder ein durchgehendes oder ein Ethernet-Übergangskabel verwenden.
- Je nach Betreiber müssen Sie möglicherweise Einstellungen auf Ihrem Computer und bei verschiedenen Verbindungstools vornehmen. Wenn das der Fall ist, fahren Sie mit Schritt 3 fort, nachdem Sie die erforderlichen Einstellungen vorgenommen haben. Verbinden Sie den Access Point mit einem Kommunikationsgerät mit Router-Funktion. Wenn das Kommunikationsgerät nicht über eine Router-Funktion verfügt, wie z.B. ein Kabelmodem, ist ein separater Breitband-Router erforderlich.

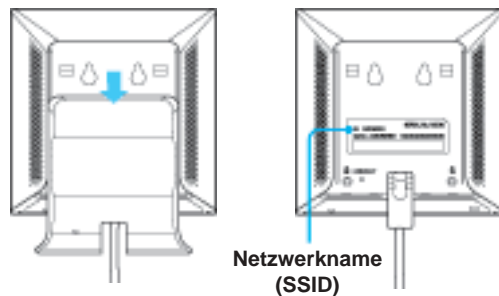
Herstellen einer Funkverbindung

Schritt 3 – Herstellen einer Kommunikationsverbindung zwischen dem Computer und dem Access Point

Das Verfahren in diesem Handbuch beschreibt den Verbindungsprozess unter Verwendung der Standardeinstellungen.

Die Standardeinstellungen für den Access Point lauten:

- Netzwerkname (SSID): die 6-stellige Kennung ist auf ein Etikett innen auf der Abdeckung der Rückseite der Wireless-Einheit gedruckt.
- Verschlüsselung (WEP): deaktiviert.



Entfernen Sie die hintere Abdeckung, indem Sie sie in Pfeilrichtung bewegen.

Diese ID wird als Standardnetzwerkname (SSID) verwendet.

Konfigurieren Sie die Einstellungen für die drahtlose Kommunikation auf dem Computer und stellen Sie dann eine Kommunikationsverbindung zwischen dem Computer und dem Access Point her. Weitere Informationen zur Konfiguration finden Sie in den Handbüchern zu Ihrer Wireless LAN PC Card oder Ihrem Wireless LAN Converter.

Wenn der Vorgang abgeschlossen ist, prüfen Sie, ob dem Computer die IP-Adresse zugewiesen wurde.

Auch wenn die Kommunikation in diesem Stadium möglich ist, müssen Sie aus Sicherheitsgründen die nachfolgenden Schritte unternehmen, um die werkseitigen Standardeinstellungen zu ändern.

-
- Der Netzwerkname (SSID) kann je nach Gerät auch **ESSID** oder **Netzwerk-ID** lauten. Verschlüsselung kann je nach Gerät auch **Kodierung** oder **Sicherheit** genannt werden. Unter dem Betriebssystem Windows XP mit Wireless LAN PC Card, klicken Sie im Menü **Start** auf **Verbinden, Drahtlose Netzwerkverbindung**, und legen Sie im angezeigten Dialogfenster die Kommunikationseinstellungen für die Verbindung zum Access Point fest.
Wenn **Drahtlose Netzwerkverbindung** nicht im Menü **Start** gefunden wird, klicken Sie auf **Systemsteuerung, Netzwerk und Internetverbindungen, Netzwerkverbindungen**, und doppelklicken Sie auf **Drahtlose Netzwerkverbindungen**.

Access Point-Einstellungen

Schritt 4 – Installieren der Dienstsoftware

Installieren Sie die Access Point Scan Utility, um den Access Point auf Ihrem Computer zu erkennen.

- 1 Legen Sie die mitgelieferte CD-ROM in den Computer ein, mit dem die Wireless LAN Card oder der Wireless LAN Converter verbunden ist.
- 2 Auf Computern unter Windows Me oder Windows 2000, doppelklicken Sie auf das Symbol **Arbeitsplatz** auf Ihrer Benutzeroberfläche.
Auf Computern unter Windows XP, klicken Sie auf **Start**, und wählen Sie **Arbeitsplatz**.
- 3 In **Arbeitsplatz**, klicken Sie auf das Symbol für das CD-ROM-Laufwerk und doppelklicken Sie auf **setup.exe**.
Je nach den Einstellungen Ihres Computers, wird der Dateiname **Setup.exe** möglicherweise als **Setup** angezeigt. Wenn mehrere Dateien mit dem Namen **Setup** im selben Ordner vorkommen, doppelklicken Sie auf die Datei mit dem Symbol, das in Schritt 3 angezeigt wird.

Schritt 5 – Konfigurieren der Access Point-Einstellungen

Zeigen Sie die Access Point Setup-Seite an und führen Sie das Setup des Access Points durch.

Die folgenden Browser sind kompatibel:

- Internet Explorer 5.5 oder höher;
- Netscape 6.1 oder höher.

-
- Richten Sie einen der oben aufgeführten Web-Browser als den Standard-Web-Browser Ihres Computers ein, um die Wireless LAN Access Point-Setup-Seite von der PCWA-A320 Access Point-Software aus anzuzeigen.
Wenn Ihr Web-Browser für die Nutzung eines Proxy-Servers konfiguriert ist, richten Sie die Proxy-Einstellungen des Browsers so ein, dass der Browser keinen Proxy-Server für die Access Point IP-Adresse verwendet. Weitere Einzelheiten zur Deaktivierung der Proxy-Einstellungen finden Sie in Ihrem Handbuch zur Fehlerbehebung – Fall 3.
 - Die Wireless LAN Access Point-Setup-Seite wird im internen Speicher des Access Points gespeichert.

So konfigurieren Sie den Access Point:

- 1 Klicken Sie auf **Start**, zeigen Sie auf **Programme (Alle Programme in Windows XP)**, **Wireless LAN** und klicken Sie auf **Access Point Scan**. Die **Scan Utility** startet und sucht automatisch nach Access Points im selben Netzwerk. Nachdem Scan Utility die Suche nach Access Points beendet hat, wird eine Liste von Access Points angezeigt.
Wenn Scan Utility keine Access Points findet, stellen Sie den Computer an einen Standort um, an dem die Bedingungen für drahtlose Kommunikation mit dem Access Point besonders günstig sind, und klicken Sie auf **Scannen**, um erneut zu suchen. Detaillierte Informationen hierzu finden Sie im Handbuch zur Fehlerbehebung – Fall 1.
- 2 Wählen Sie den Access Point, zu dem Sie eine Verbindung herstellen möchten von der Liste der Access Points, die Scan Utility gefunden hat. Wenn mehrere Access Points auf der Liste angezeigt werden, prüfen Sie die MAC-Adressen. Die MAC-Adressen der Access Points sind immer auf ein Etikett in der Innenseite der Rückwandabdeckung der Wireless-Einheit gedruckt. Wenn Sie die MAC-Adressen überprüft haben, prüfen Sie, ob das Ethernet-Kabel angeschlossen ist.
- 3 Klicken Sie auf **Access Point Setup-Seite**. Die Access Point Setup-Seite wird angezeigt.
Wenn die **Access Point Setup-Seite** nicht angezeigt wird, prüfen Sie, ob in den Web-Browser-Einstellungen der Proxy-Server eingestellt ist. Wenn der Proxy-Server angegeben ist, kann die Access Point Setup-Seite nicht angezeigt werden. Legen Sie die Browser-Einstellungen so fest, dass die IP-Adresse des Access Points vom Proxy-Server umgangen wird. Weitere Informationen zur Umgehung des Proxy-Servers finden Sie in Ihrem Handbuch zur Fehlerbehebung – Fall 3 oder in der Hilfe zum Access Point Setupprogramm.
- 4 Klicken Sie auf **Einfaches Setup**. Das Fenster **Einfaches Setup** wird angezeigt.

-
- 5 Geben Sie den Netzwerknamen (SSID) ein.
Der Netzwerkname (SSID) dient zur Identifizierung des drahtlosen Netzwerks. Geben Sie bis zu 32 Buchstaben, Zahlen oder Symbole ein. Es ist empfehlenswert, den Netzwerkname als Referenz für später aufzuschreiben.
 - 6 Setzen Sie die **Verschlüsselung (WEP)** auf **Aktiviert** fest.
Die Verschlüsselung (WEP) kodiert drahtlose Kommunikationsverbindungen und verhindert unbefugten Zugang zum Netzwerk.
 - 7 Wählen Sie **Schlüssellänge**.
Der Verschlüsselungsschlüssel ist das erforderliche Kennwort für die WEP-Kommunikation im verschlüsselten Netzwerk.
 - 8 Wenn Sie **40-Bit** als **Schlüssellänge** wählen, geben Sie den Verschlüsselungsschlüssel ein und geben Sie ihn anschließend erneut unter **WEP-Schlüssel (Bestätigung)** ein.
Geben Sie bis zu 5 Buchstaben, Zahlen oder Symbole ein. Wenn Sie **104-Bit (WEP 128-Bit)** als **Schlüssellänge wählen**, geben Sie bis zu 13 Buchstaben, Zahlen und Symbolen ein.
Es ist empfehlenswert, den Verschlüsselungsschlüssel als Referenz für später aufzuschreiben.
 - 9 Klicken Sie auf **Weiter**.
Es wird ein Bestätigungsfenster für das Setup eingeblendet.
 - 10 Klicken Sie auf die Schaltfläche **Setup ausführen**, wenn Sie mit den angezeigten Einstellungen zufrieden sind.
Klicken Sie auf **Zurück**, um die Einstellungen zu ändern. Dadurch gelangen Sie zu der vorherigen Seite.
 - 11 Wenn Sie mit den angezeigten Einstellungen einverstanden sind, schließen Sie den Web-Browser.
- Während der Änderung der Wireless-Einstellungen, ist die Verbindung zum Access Point unterbrochen. Nach Beenden von Schritt 5, lesen Sie Schritt 6 und stellen Sie erneut eine Verbindung her.

Schritt 6 – Konfigurieren der Computereinstellungen

Konfigurieren Sie den Netzwerknamen (SSID) und die Einstellungen für die Verschlüsselung (WEP) der drahtlosen Kommunikation auf dem Computer, um sie den Einstellungen des Access Points anzupassen, wie sie in Schritt 5 festgelegt wurden. Nachdem Sie die Einstellungen auf Ihrem Computer festgelegt haben, ist die Kommunikation mit dem Access Point aktiviert.

Weitere Informationen finden Sie in den Anweisungen zu Ihrer Wireless LAN PC Card oder Ihrem Wireless LAN Converter.

Installieren des Access Points

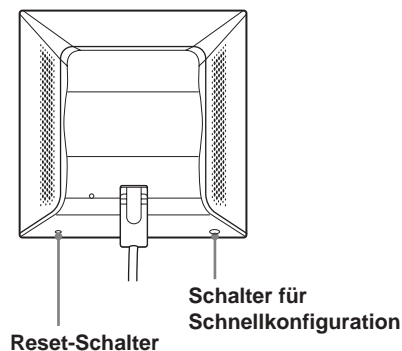
Schritt 7 – Installieren des Access Points

Nach Beenden der Konfiguration installieren Sie den Access Point. Die Einstellungen sind gespeichert, so dass sie beibehalten werden, wenn der Access Point abgeschaltet ist. Die Wireless-Einheit kann an die Wand gehängt werden.

Die Einstellungen sind nun festgelegt.

Zurücksetzen der Access Points auf die werkseitigen Einstellungen

- 1 Schalten Sie den Access Point ein.
- 2 Drücken Sie den **Reset-Schalter** unten am Wireless LAN Converter mit einer Büroklammerspitze oder einem ähnlichen Gegenstand mindestens eine Sekunde lang.
Wenn Sie den Schalter **Reset** gedrückt halten, leuchtet die Kontrolllampe an der Vorderseite der Wireless-Einheit rot und beginnt zu blinken, wenn der Schalter eine Sekunde gehalten wurde.



- 3 Wenn die Statusanzeige rot zu blinken beginnt, lassen Sie den **Reset-Schalter** los.
Der Access Point wird unter den werkseitigen Einstellungen erneut gestartet.

Anfordern der neuesten Access Point Firmware

- 1 Gehen Sie auf <http://www.vaio-link.com>
- 2 Lesen Sie die Seite zu Wireless LAN Access Point PCWA-A320.
Wir empfehlen, die Website regelmäßig auf Firmware-Updates zu prüfen.

Diese Beschreibung setzt voraus, dass die Verbindung unter den werkseitigen Einstellungen hergestellt wird.

Weiterhin können Sie:

- Ein Administrator- und ein Gäste-Kennwort festlegen;
- Das Datum und die Uhrzeit festlegen;
- Manuell eine IP-Adresse zuweisen.

Weitere Informationen finden Sie in der Online-Hilfe zur Access Point Setup-Seite.

Sony-Kundendienstoptionen

In diesem Abschnitt wird beschrieben, wie Sie Hilfe und Unterstützung von Sony erhalten.

- Kurzeinführung (dieses Dokument): Beschreibt die Installation des Access Points.
- Handbuch zur Fehlerbehebung: Bietet Lösungen zu am häufigsten auftretenden Problemen, die Anwender mit Ihren Access Points haben können.
- Online-Hilfe zur Access Point Setup-Seite: Beschreibt die Konfiguration des Access Points.
- Sony-Kundendienst-Website: <http://www.vaio-link.com/> stellt die neuesten Informationen zu Ihrem Access Point bereit.

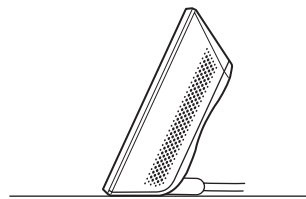
Vorsichtsmaßnahmen bei der Installation

Installation

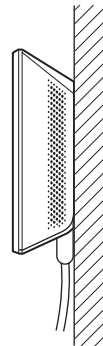
Wählen Sie einen sicheren Standort, wo Ihre Wireless-Einheit nicht herunterfallen oder umkippen kann. Verlegen Sie das Kabel zur Wireless-Einheit entsprechend des Installationsstandorts.

Beispiele für die Installation

- Desktop-Installation



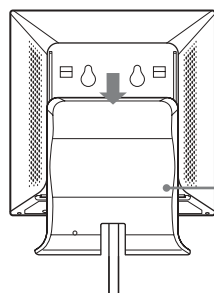
- Aufhängen



- Installieren Sie nicht an einem unsicheren Standort.
Führen Sie die Installation nicht an einem Standort durch, wo die Wireless-Einheit durch einen Stoß oder Vibration herunterfallen könnte, wie z.B. vom Rand eines Regals.
Führen Sie die Installation nicht an einem Standort durch, wo die Wireless-Einheit oder die Kabel von einer Person oder einem Objekt aus Versehen beschädigt werden könnten.

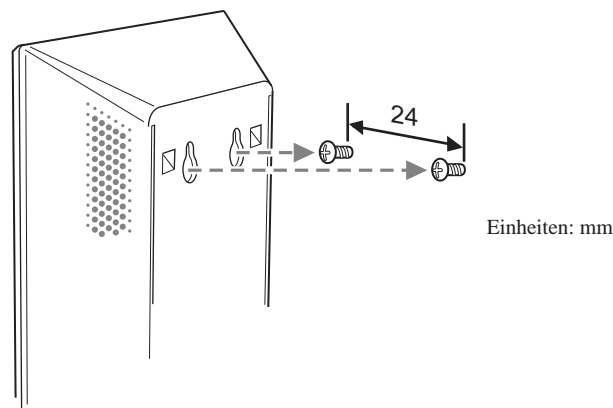
Aufhängen von Geräte-Einheiten

- 1 Suchen Sie die Löcher für die Wandbefestigung.



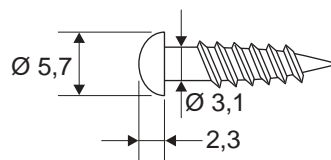
Um die Wireless-Einheit an der Wand zu befestigen, entfernen Sie die Rückwandabdeckung, indem Sie die Abdeckung in Pfeilrichtung schieben.

- 2 Hängen Sie das Gerät mithilfe von Schrauben oder Nägeln an die Wand. Im Lieferumfang der Einheit sind keine Haken oder Ähnliches für die Wandbefestigung enthalten. Verwenden Sie Schrauben, die stabil genug sind.

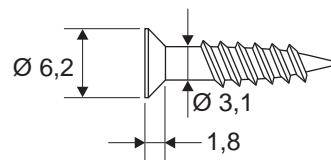


- Verwenden Sie immer zwei Schrauben oder Nägel und prüfen Sie, ob die Einheit sicher an der Wand hängt. Wählen Sie einen Befestigungsort, wo das Gewicht des Geräts an der Wand gehalten werden kann. Wenn der Befestigungsort das Gewicht des Geräts nicht halten kann, fällt sie herunter und verursacht Unfälle. Wenn Sie die Einheit an einer Wand aus Gipskarton oder anderem spröden Material aufhängen, prüfen Sie, ob das Material stabil genug ist, um das Gewicht des Geräts zu tragen, und verwenden Sie besondere Schrauben oder andere Befestigungsvorrichtungen, die speziell für dieses Material geeignet sind. Wenn Sie das Gerät mit herkömmlichen Schrauben befestigen, fällt es möglicherweise herunter. Achten Sie darauf, dass bei der Befestigung an der Wand, das Gerät und die Befestigungswerkzeuge nicht herunterfallen. Durch das Herunterfallen des Geräts oder der Werkzeuge kann es zu unvorhergesehenen Unfällen kommen.

Empfohlene Schrauben Rundkopfschrauben



• Flachkopfschrauben



Einheiten: mm

Einschränkungen

Weitere Informationen zu den Sicherheitsstandards und Vorsichtsmaßnahmen zur Gewährleistung einer sicheren Verwendung finden Sie im Wireless LAN-Leitfaden.

Netzeinheit

Verwenden Sie die Netzeinheit und das Netzanschlusskabel, das im Lieferumfang des Access Points enthalten ist. Das Verwenden einer anderen Netzeinheit kann zu Beschädigungen und/oder Verletzungen führen.

Sicherheit

Lassen Sie den Access Point nicht fallen. Handhaben Sie die Hilfsvorrichtungen vorsichtig, um Beschädigungen zu vermeiden.

Installation

Vermeiden Sie bei der Platzierung des Access Points Standorte mit folgenden Bedingungen:

- Instabile Oberflächen;
- Hohe Luftfeuchtigkeit oder mangelhafte Belüftung;
- Übermäßig viel Staub;
- Direkte Sonneneinstrahlung oder extrem hohe Temperaturen;
- Geschlossene Fahrzeuge;
- Magnetumfeld (in der Nähe von Magneten, Lautsprechern oder Fernsehgeräten);
- Häufige Erschütterungen;
- Orte, an denen die Funkwellenübertragung durch Metallplatten oder Betonwände gehindert werden könnte.

Betrieb

Bei starken Temperaturschwankungen oder sehr feuchten Umgebungen kann sich im Geräteinneren Kondensation niederschlagen. Der Access Point funktioniert dann möglicherweise nicht mehr einwandfrei.

In diesem Fall ziehen Sie das Netzkabel aus der Steckdose und lassen Sie den Access Point während zwei oder drei Stunden trocknen.

Reinigen

Reinigen Sie das Gehäuse mit einem weichen, mit Wasser oder mit einer milden Reinigungsmittellösung leicht angefeuchteten Tuch. Verwenden Sie unter keinen Umständen Scheuerschwämme und Scheuer- oder Lösungsmittel wie Alkohol oder Benzin. Diese können die Oberfläche der Verkleidung beschädigen.

Notfälle

Im Falle einer Notsituation, stoppen Sie die drahtlosen Funktionen, indem Sie das Netzkabel auf der Steckdose ziehen.

Technische Daten

Netzbetrieb	AC100 – 240V, 50/60 Hz
Stromverbrauch	Ca. 5 W
Schnittstellen	100BASE-TX/10BASE-T (automatische MDI/MDI-X-Kennung)
Max. äußere Abmessungen	Ca. 98 x 98 x 33 mm (B x H x T)
Gewicht	Ca. 320 g (inkl. Verbindungskabel)
Empfohlene Anzahl der angebotenen Clients	Max. 16
Unterstütztes Protokoll Standards	TCP/IP IEEE 802.11b IEEE 802.11g
Funkfrequenz	2,4 GHz Funknetzwerk: 2,4 - 2,4835 GHz (ISM Band)
Max. Anschlussentfernung	Reichweite mit direkter Sicht ca. 100 m (die maximale Anschlussentfernung ist von der Umgebung abhängig)
WEP (Datenverschlüsselung): Modulationsverfahren	64 Bits/128 Bits DS-SS OFDM
Betriebstemperatur	5° C - 35° C (keine Kondensation)
Lagertemperatur	-20° C - 60° C (keine Kondensation)

Manuel de mise en route

Marques commerciales

- Sony, VAIO, le logo **CarrierGate**, le logo **VAIO** et le logo Eco Info sont des marques commerciales de Sony Corporation.
- Microsoft et Windows sont des marques commerciales de Microsoft Corporation, déposées aux États-Unis et/ou dans d'autres pays.
- Microsoft® Windows® XP Édition familiale et Microsoft® Windows® XP Professionnel sont ci-après nommés Windows XP.
- Netscape est une marque commerciale déposée de Netscape Communications Corporation.
- Tous les autres noms de systèmes, de produits et de services sont des marques commerciales de leurs propriétaires respectifs. Les symboles TM ou [®] ne sont pas repris dans ce manuel.

Présentation

Ce document donne un aperçu des fonctionnalités du point d'accès LAN sans fil PCWA-A320 et explique la procédure de configuration requise.

Déballage du point d'accès

Après avoir déballé l'unité, assurez-vous que tous les éléments ci-après ont été livrés :

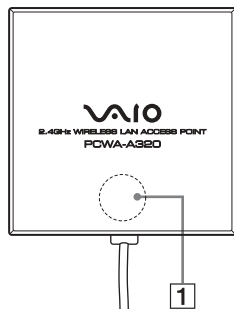
- Unité sans fil
- Cordon d'alimentation (2)
- CD-ROM (disque d'installation)
- Guide de mise en route
- Guide de dépannage
- Dépliant de garantie
- Dépliant de réglementation
- Unité d'alimentation



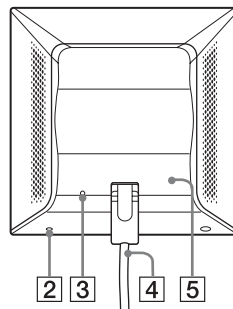
Nom et fonction des divers éléments

Unité sans fil

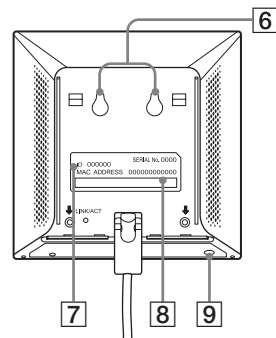
Avant



Arrière



(Sans le panneau arrière)



1 Indicateur d'ÉTAT

Indique l'état de l'unité sans fil.

Démarrage : clignotement rapide (blanc).

Normal : clignotement lent (blanc).

Pendant la mise à jour du micrologiciel : clignotement rouge.

Pendant la configuration rapide : clignotement rouge

Si la mise à jour du micrologiciel échoue : clignotement continu

(rouge) après la mise à jour. (Vous devez alors relancer la mise à jour du micrologiciel.)

2 Bouton de réinitialisation

Rétablit les valeurs par défaut des paramètres de l'unité sans fil.

3 Indicateur de liaison/ d'activité

S'allume lorsqu'un câble Ethernet est branché au port RÉSEAU de l'unité d'alimentation.

4 Câble de l'unité sans fil

Se branche sur le port UNITÉ SANS FIL de l'unité d'alimentation.

5 Panneau arrière

Retirez ce panneau si vous souhaitez fixer l'unité sans fil au mur et pour vérifier l'adresse MAC et le nom de réseau (SSID).

6 Orifices de fixation murale

Utilisez-les pour fixer l'unité sans fil au mur.

7 Identifiant (ID)

Le nom d'identification unique du produit, composé de six caractères hexadécimaux est imprimé à cet emplacement. Il est utilisé comme nom de réseau (SSID) par défaut de l'unité sans fil.

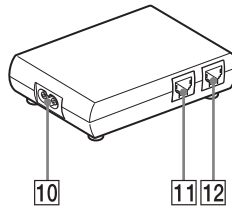
8 Adresse MAC

L'adresse MAC de l'unité sans fil est imprimée à cet emplacement.

9 Bouton de configuration rapide

Utilisez ce bouton pour configurer le convertisseur LAN sans fil PCWA-DE30. Reportez-vous au guide de mise en route du convertisseur LAN sans fil ou à son aide en ligne pour de plus amples informations.

Unité d'alimentation



- 10 Prise secteur 100-240 V Branchez le cordon d'alimentation fourni ici.
- 11 Port UNITÉ SANS FIL Branchez le câble de l'unité sans fil ici.
- 12 Port RÉSEAU Utilisez le câble Ethernet pour brancher l'unité sans fil sur l'ordinateur ou un autre périphérique. Utilisez un câble Ethernet droit ou croisé.

Paramètres par défaut

Les paramètres par défaut du point d'accès sont les suivants :

NOM

Nom de réseau (SSID)

Cryptage (WEP)

Fréquence (canal)

Diffusion du nom de réseau (SSID)

Contrôle d'accès

Méthode de connexion

Serveur DNS

Vitesse

Bouton de configuration rapide

Serveur de temps (serveur NTP)

PARAMÈTRE PAR DÉFAUT

Les six caractères imprimés sur l'étiquette, sur le panneau arrière du point d'accès (unité sans fil)

Désactivé

Sélection automatique

Oui

Accepter tout

Obtenir une adresse IP automatiquement (DHCP)

-

Détection automatique

Activé

-

Pour rétablir les paramètres par défaut, procédez comme suit :

- 1 Mettez l'unité sous tension.
- 2 Appuyez sur le bouton de réinitialisation situé en bas de l'unité sans fil pendant une seconde au moins avec un trombone.
Veillez à ne pas appuyer par erreur sur le bouton de configuration rapide lors de la réinitialisation de l'unité sans fil.
- 3 Lorsque l'indicateur d'état clignote, relâchez le bouton de réinitialisation.
L'unité sans fil redémarre automatiquement avec les paramètres par défaut.

Fonctionnalités

Accès sans fil à Internet à partir de différents emplacements

Le point d'accès LAN sans fil PCWA-A320 — ci-après dénommé « point d'accès » — est un point d'accès LAN sans fil 2,4 GHz de type passerelle compatible IEEE 802.11g. Vous pouvez utiliser le point d'accès comme station de base pour créer un système LAN sans fil composé d'ordinateurs équipés de cartes PC Card ou de convertisseurs LAN sans fil.

Si vous souhaitez utiliser les ordinateurs connectés au point d'accès sans fil pour accéder à Internet, branchez le point d'accès sur un modem DSL, modem câblé, routeur RNIS, routeur large bande ou autre périphérique de communication similaire, ou sur une carte réseau Ethernet (réseau LAN câblé) connectée à Internet.



- Utilisez un câble Ethernet entre le point d'accès et le périphérique de communication. Vous ne pouvez pas utiliser de port USB pour brancher le point d'accès à un périphérique de communication. Connectez le point d'accès à un périphérique de communication qui assure une fonction de routage. Si le périphérique de communication n'est pas doté de fonctionnalités de routeur, par exemple un modem câblé, un routeur large bande distinct est requis.

Installation, connexion et configuration

- 1 Effectuez les préparatifs et vérifications nécessaires à la connexion.
- 2 Connectez le point d'accès.
- 3 Ouvrez une session de communication entre l'ordinateur et le point d'accès.
- 4 Installez l'utilitaire.
- 5 Configurez les paramètres du point d'accès.
- 6 Configurez les paramètres de l'ordinateur.
- 7 Installez le point d'accès.

Étape 1 – Préparation et vérification des connexions

Ce guide décrit la procédure de connexion avec les paramètres par défaut. Les paramètres par défaut de la fonction de point d'accès sont les suivants :

- Nom de réseau (SSID) : le nom d'identification de six caractères imprimé sur l'étiquette, sur la face intérieure du panneau arrière de l'unité sans fil.
- Cryptage (WEP) : désactivé.

Avant de configurer le point d'accès, procédez comme suit :

- 1 Configurez la carte PC Card ou le convertisseur LAN sans fil.
Procédez à l'installation du logiciel approprié et définissez les paramètres conformément aux instructions fournies avec la carte PC Card ou le convertisseur LAN sans fil afin d'assurer son fonctionnement. Reportez-vous à la documentation qui accompagne la carte PC Card ou le convertisseur LAN sans fil.
- 2 Préparez un périphérique de communication qui puisse être utilisé comme routeur — un routeur large bande ou un routeur modem ADSL.
- 3 Configurez les paramètres de pare-feu de l'ordinateur.
Si vous utilisez le pare-feu de connexion Internet de Windows XP ou un pare-feu personnel, vous devez modifier le paramètre de niveau de sécurité. Lisez attentivement la section consacrée aux fonctions de pare-feu de ce manuel.

Fonctions de pare-feu

Utilisation du **pare-feu de connexion Internet** de Windows XP : l'activation du pare-feu de connexion Internet Windows XP peut empêcher tout accès externe à l'ordinateur. (Cette fonction est désactivée par défaut.) Cette fonction peut permettre d'interdire les connexions à votre réseau lorsque vous modifiez vos paramètres de point d'accès. Le cas échéant, désactivez le pare-feu de connexion Internet, établissez une connexion au réseau et réactivez cette fonction. Pour plus d'informations à ce sujet, consultez l'aide de Windows XP.

-
- Veillez à prendre les mesures de sécurité nécessaires lorsque la fonction de pare-feu de connexion Internet est désactivée.

Lorsque vous utilisez un logiciel de pare-feu personnel fonctionnant de manière autonome ou fourni avec un logiciel antivirus ou de sécurité réseau : le logiciel d'analyse antivirus et de sécurité réseau inclut parfois une fonction appelée **pare-feu personnel** destinée à interdire tout accès non autorisé d'autres ordinateurs. En fonction du logiciel, il se peut que le niveau de sécurité par défaut de cette fonction soit très élevé. Si vous ne désactivez pas le paramètre de niveau de sécurité élevé, d'autres ordinateurs ne pourront pas accéder à votre ordinateur. Par ailleurs, l'utilisateur peut se trouver face à l'impossibilité d'établir une connexion réseau lors de la modification des paramètres du routeur large bande sans fil et d'autres problèmes peuvent survenir. Le cas échéant, diminuez le niveau de sécurité afin de permettre la connexion au réseau. Il convient de rester vigilant si vous avez sélectionné un niveau de sécurité moins élevé. Il est recommandé de rétablir les paramètres par défaut après la configuration du routeur large bande sans fil.

- Soyez particulièrement attentif aux problèmes de sécurité.
Contactez l'éditeur de votre logiciel de pare-feu pour toute question relative aux fonctions de pare-feu.

Pour de plus amples informations sur la configuration du point d'accès, reportez-vous aux fichiers d'aide.

Pour accéder à l'aide, procédez comme suit :

Dans le menu **Démarrer**, pointez sur **Programmes (Tous les programmes sous Windows XP)**, **LAN sans fil**, puis cliquez sur **Aide de la recherche du point d'accès**.

Pour afficher l'aide de la page de configuration du point d'accès, procédez comme suit :

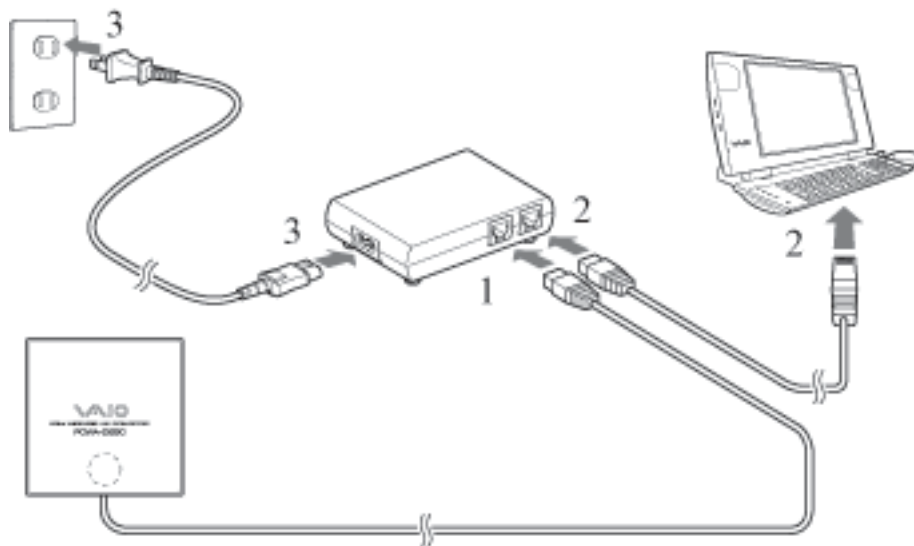
Cliquez sur **Aide** dans la page de configuration du point d'accès.

Étape 2 – Connexion du point d'accès

Branchez le modem DSL, le routeur RNIS, le routeur large bande ou le concentrateur Ethernet LAN.

- 1 Branchez l'unité sans fil à l'unité d'alimentation.
- 2 Utilisez un câble Ethernet pour brancher le modem DSL, le routeur RNIS, le routeur large bande ou le concentrateur Ethernet LAN à l'unité d'alimentation.

3 Branchez-le sur une prise de courant.



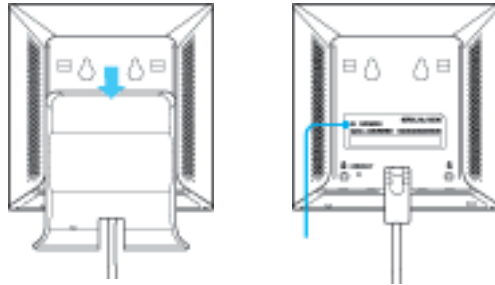
- Le point d'accès n'est pas doté d'un bouton d'alimentation. Vous pouvez utiliser un câble Ethernet droit ou croisé.
- Selon le fournisseur d'accès, une certaine configuration de l'ordinateur sera requise avec des outils de connexion parfois différents. Le cas échéant, reportez-vous à l'étape 3 après avoir défini les paramètres requis. Connectez le point d'accès à un périphérique de communication qui assure une fonction de routage. Si le périphérique de communication n'est pas doté de fonctionnalités de routeur, par exemple un modem câblé, un routeur large bande distinct est requis.

Établissement d'une connexion sans fil

Étape 3 – Ouverture d'une session de communication entre l'ordinateur et le point d'accès

Ce guide décrit la procédure de connexion avec les paramètres par défaut. Les paramètres par défaut de la fonction de point d'accès sont les suivants :

- Nom de réseau (SSID) : le nom d'identification de six caractères imprimé sur l'étiquette sur la face intérieure du panneau arrière de l'unité sans fil.
- Cryptage (WEP) : désactivé.



Nom de réseau (SSID)

Retirez le panneau arrière en le faisant glisser dans la direction indiquée par la fleche.

Il est utilisé comme nom de réseau (SSID) par défaut.

Configurez les paramètres de communication sans fil de l'ordinateur et ouvrez une session de communication entre l'ordinateur et le point d'accès. Reportez-vous à la documentation qui accompagne la carte PC Card ou le convertisseur LAN sans fil pour de plus amples informations sur la procédure de configuration.

Lorsque vous avez terminé, vérifiez qu'une adresse IP est affectée à l'ordinateur.

Même si la communication est possible à ce stade, pour des raisons de sécurité, veuillez suivre les procédures qui suivent pour modifier les paramètres par défaut.

- Selon le périphérique utilisé, les termes **ESSID** ou **ID réseau** sont parfois utilisés pour désigner le nom de réseau (SSID). De même, les termes **codage**, **sécurité** ou **chiffrement** peuvent faire référence au cryptage selon le périphérique utilisé. Lorsque vous utilisez une carte PC Card LAN sans fil sous Windows XP, accédez au menu **Démarrer**, cliquez sur **Connexion**, puis sur **Connexion réseau sans fil** et définissez les paramètres de communication qui affectent la connexion au point d'accès dans la boîte de dialogue qui s'affiche. Si **Connexion réseau sans fil** n'apparaît pas dans le menu **Démarrer**, cliquez sur **Panneau de configuration**, **Connexions réseau et Internet**, **Connexions réseau**, puis double-cliquez sur **Connexion réseau sans fil**.

Paramètres du point d'accès

Étape 4 – Installation de l'utilitaire

Installez Access Point Scan Utility pour pouvoir détecter le point d'accès sur l'ordinateur.

- 1 Insérez le CD-ROM fourni dans le lecteur de CD-ROM de l'ordinateur équipé d'une carte PC Card ou d'un convertisseur LAN sans fil.
 - 2 Si vous utilisez un ordinateur doté de Windows Millennium Edition ou Windows 2000, double-cliquez sur l'icône **Poste de travail** du Bureau. Si vous utilisez un ordinateur doté de Windows XP, sélectionnez **Poste de travail** dans le menu **Démarrer**.
 - 3 Cliquez ensuite sur l'icône du lecteur de CD-ROM, puis double-cliquez sur le fichier **setup.exe**.
- Selon la configuration de votre ordinateur, le nom de fichier **setup.exe** peut s'afficher sans extension (**setup**).

Étape 5 – Configuration des paramètres du point d'accès

Affichez la page de configuration du point d'accès et définissez les paramètres.

Les navigateurs suivants sont compatibles :

- Internet Explorer version 5.5 ou ultérieure ;
- Netscape version 6.1 ou ultérieure.
- Pour afficher la page de configuration du point d'accès LAN sans fil à partir du logiciel du point d'accès PCWA-A320, configurez l'un des navigateurs Web mentionnés ci-dessus comme navigateur Web par défaut.
Si votre navigateur Web est configuré pour l'utilisation d'un serveur proxy, définissez ses paramètres proxy de sorte qu'il n'utilise pas un serveur proxy pour l'adresse IP du point d'accès. Si vous souhaitez obtenir un supplément d'informations sur la désactivation des paramètres de proxy, reportez-vous au guide de dépannage, section « Cas 3 ».
- La page de configuration du point d'accès LAN sans fil est enregistrée dans la mémoire interne du point d'accès.

Pour configurer le point d'accès, procédez comme suit :

- 1 Dans le menu **Démarrer**, pointez sur **Programmes (Tous les programmes)** sous Windows XP), **LAN sans fil**, puis cliquez sur **Recherche du point d'accès**.
Scan Utility démarre et recherche automatiquement les points d'accès sur le même réseau. Lorsque la recherche des points d'accès est terminée, une liste des points d'accès s'affiche.
Si Scan Utility ne trouve aucun point d'accès, déplacez l'ordinateur dans un endroit qui présente des conditions de communication sans fil avec le point d'accès optimale, puis cliquez sur **Rechercher** pour procéder à une nouvelle recherche. Pour plus d'informations à ce sujet, reportez-vous au cas 1 du guide de dépannage.
- 2 Sélectionnez le point d'accès auquel vous souhaitez établir une connexion dans la liste des points d'accès détectés par Scan Utility.
Si plusieurs points d'accès s'affichent dans la liste, vérifiez les adresses MAC. Chaque adresse MAC de point d'accès est imprimée sur une étiquette de code à barres, sur la face intérieure du panneau arrière de l'unité sans fil. Après avoir vérifié l'adresse MAC, veillez à rebrancher le câble Ethernet.
- 3 Cliquez sur **Page de configuration du point d'accès**.
La page de configuration du point d'accès s'affiche.
Si la **page de configuration du point d'accès** ne s'affiche pas, vérifiez si vous avez spécifié un serveur proxy dans les paramètres de configuration du navigateur Web. Dans l'affirmative, la page de configuration du point d'accès ne s'affiche pas. Définissez les paramètres de proxy du navigateur de sorte à ne pas utiliser le serveur proxy. Reportez-vous au cas 3 du guide de dépannage ou à l'aide d'Access Point Setup Utility pour de plus amples informations.
- 4 Cliquez sur **Configuration simplifiée**.
La fenêtre **Configuration simplifiée** s'affiche.
- 5 Saisissez un nom de réseau (SSID).
Le nom de réseau (SSID) est un ID qui permet d'identifier le réseau sans fil. Vous pouvez saisir jusqu'à 32 lettres, chiffres ou symboles.
Il est recommandé de prendre note du nom de réseau pour référence.
- 6 Activez le **cryptage (WEP)**.
La fonction de cryptage (WEP) permet de coder les sessions de communication sans fil et d'éviter tout accès non autorisé au réseau.
- 7 Sélectionnez la **longueur de clé**.
La clé de cryptage consiste en un mot de passe requis pour les communications WEP sur le réseau crypté.

-
- 8 Si vous sélectionnez une **longueur de clé de 40 bits**, saisissez la clé de cryptage et saisissez-la de nouveau dans le champ **Clé WEP (confirmation)**.
Vous pouvez saisir jusqu'à cinq lettres, chiffres ou symboles. Si vous sélectionnez une **longueur de clé de 104 bits (cryptage WEP à 128 bits)**, saisissez jusqu'à 13 lettres, chiffres et symboles.
Il est recommandé de prendre note de la clé de cryptage pour référence.
 - 9 Cliquez sur **Suivant**.
La fenêtre de confirmation de la configuration s'affiche.
 - 10 Cliquez sur le bouton **Appliquer** après avoir vérifié les paramètres.
Cliquez sur le bouton **Précédent** pour les modifier. La page précédente s'affiche le cas échéant.
 - 11 Si vous ne souhaitez apporter aucun changement aux paramètres, fermez le navigateur Web.
 - La connexion au point d'accès est désactivée pendant la configuration des paramètres de connexion sans fil. Reportez-vous à l'étape 6 après avoir terminé la procédure de l'étape 5 et établissez à nouveau la connexion.

Étape 6 – Configuration des paramètres de l'ordinateur

Définissez les mêmes valeurs de paramètres de communication sans fil, Nom de réseau (SSID) et Cryptage (WEP), pour l'ordinateur que celles que vous avez définies pour le point d'accès à l'étape 5. La communication avec le point d'accès est réactivée lorsque la configuration du point d'accès est terminée.

Reportez-vous aux instructions fournies avec la carte PC Card ou le convertisseur LAN sans fil.

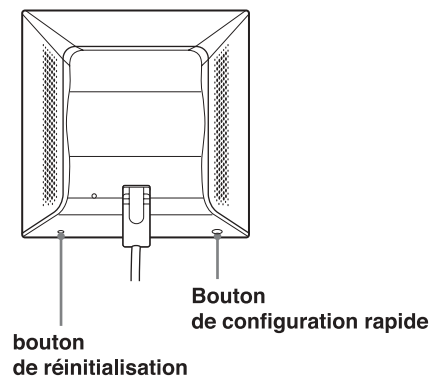
Installation du point d'accès

Étape 7 – Installation du point d'accès

Installez le point d'accès après l'avoir configuré. La configuration sera préservée même si vous mettez le point d'accès hors tension. Vous avez la possibilité de fixer l'unité sans fil à un mur.
La configuration des paramètres est terminée.

Réinitialisation des valeurs par défaut des paramètres du point d'accès

- 1 Mettez le point d'accès sous tension.
- 2 À l'aide d'un trombone (ou un objet similaire), appuyez sur le bouton de **réinitialisation** situé dans la partie inférieure de l'unité sans fil pendant au moins une seconde.
Lorsque vous appuyez sur le bouton de **réinitialisation**, l'indicateur sur la face avant de l'unité sans fil s'allume en rouge et commence à clignoter après une seconde.



- 3 Lorsque l'indicateur d'état est rouge et clignote, relâchez le bouton de **réinitialisation**.
Le point d'accès redémarre avec les paramètres par défaut.

Obtention de la dernière version micrologicielle du point d'accès

- 1 Rendez-vous à l'adresse <http://www.vaio-link.com>.
- 2 Accédez ensuite à la page du point d'accès LAN sans fil PCWA-A320.
Nous vous recommandons de consulter régulièrement le site à la recherche des nouvelles mises à jour micrologicielles.

Les explications supposent que la connexion est établie avec les paramètres par défaut.

Effectuez également les opérations suivantes :

- Définissez un mot de passe administrateur et invité.
- Définissez la date et l'heure du point d'accès.
- Définissez l'adresse IP manuellement.

Pour plus d'informations, reportez-vous à l'aide en ligne de la page de configuration du point d'accès.

Formules d'assistance Sony

Cette section décrit comment accéder aux services d'assistance de Sony.

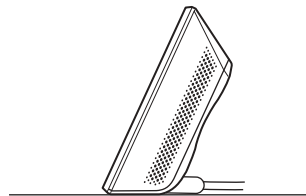
- Guide de mise en route (ce document) : décrit l'installation du point d'accès.
- Guide de dépannage : fournit des solutions aux problèmes rencontrés couramment par les utilisateurs de points d'accès.
- Aide en ligne de la page de configuration du point d'accès : Explique comment configurer le point d'accès.
- Site Web d'assistance Sony <http://www.vaio-link.com/> : fournit les dernières informations à propos des points d'accès.

Précautions d'installation

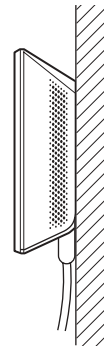
Installation

Placez l'unité sans fil dans un emplacement où elle ne risque pas de basculer ou de tomber. Acheminez le câble jusqu'à l'unité sans fil en tenant compte de son emplacement.

Exemples d'installation Installation des applications



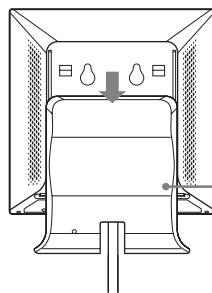
Fixation



- Veillez à choisir un lieu sûr.
N'installez pas l'unité sans fil dans un endroit tel que le bord d'une étagère, où elle pourrait tomber suite à un choc ou une vibration.
Évitez également de l'installer dans un endroit où l'unité sans fil ou les câbles pourraient gêner le passage.

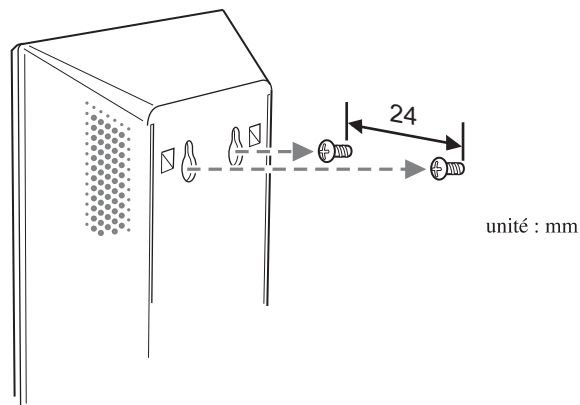
Fixation des unités

- 1 Localisez les orifices de fixation murale.



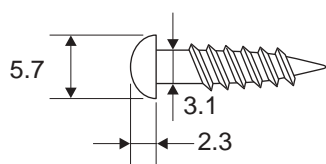
Pour fixer l'unité sans fil au mur, retirez le panneau arrière en le faisant glisser dans la direction indiquée par la flèche.

- 2 Fixez ensuite l'unité au mur à l'aide de vis ou de clous.
L'unité sans fil n'est livrée avec aucun accessoire de fixation. Utilisez des vis suffisamment solides pour supporter la charge.



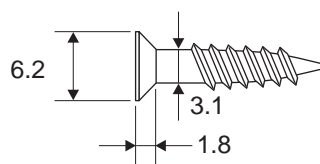
- Utilisez toujours deux vis ou clous et veillez à fixer solidement l'unité au mur. Choisissez un emplacement qui supporte le poids de l'unité. Dans le cas contraire, l'unité pourrait tomber et causer un accident. Lorsque vous fixez l'unité sur des plaques de plâtre ou tout autre matériau fragile, assurez-vous que le support est assez solide pour supporter le poids de l'unité et utilisez des vis ou autres accessoires de fixation conçus pour ce type d'utilisation. L'unité pourrait tomber si vous utilisez des vis ordinaires. Veillez à ne pas laisser tomber l'unité ou les outils utilisés pour la fixation. Des accidents peuvent survenir si vous ne tenez pas compte de ces consignes de sécurité.

Type de vis recommandé Vis à tête ronde



unité : mm

Vis à tête plate



Précautions

Pour en savoir plus sur les réglementations ou les précautions à prendre en compte pour une utilisation sécurisée, reportez-vous au dépliant sur les réglementations relatives à la technologie LAN sans fil.

Unité d'alimentation

Utilisez l'unité et le cordon d'alimentation fournis avec le point d'accès. L'utilisation d'une unité d'alimentation différente pourrait occasionner des dommages et/ou des blessures.

Sécurité

Ne laissez pas tomber le point d'accès. Une manipulation délicate permet de prévenir les dommages éventuels.

Installation

Ne placez pas le point d'accès dans un endroit où il serait exposé à l'un des éléments suivants :

- Surface instable
- Taux d'humidité élevé ou aération insuffisante
- Poussière excessive
- Lumière directe du soleil ou chaleur extrême
- Voiture fermée
- Champs magnétiques (à proximité d'aimants, de haut-parleurs ou de téléviseurs)
- Vibrations fréquentes
- Endroits où la transmission des ondes radio est menacée par la présence de parois métalliques ou de murs en béton

Fonctionnement

Les environnements soumis à des changements de température brusques, ou dont le taux d'humidité est élevé, sont susceptibles d'entraîner la formation de condensation sur les composants internes. Ce phénomène risque d'entraîner des dysfonctionnements du point d'accès.

Le cas échéant, débranchez le cordon d'alimentation de la prise de courant et faites sécher le point d'accès pendant deux ou trois heures.

Nettoyage

Nettoyez le boîtier à l'aide d'un tissu légèrement humide ou imbibé d'une solution détergente douce. N'utilisez pas de tissus abrasifs, de poudre décapante ou de solvants tels qu'alcool ou benzine. Ceci risquerait d'endommager l'extérieur du boîtier.

Urgence

En cas d'urgence, interrompez les fonctions sans fil en débranchant le cordon d'alimentation.

Fiche technique

Alimentation	CA 100-240 V, 50/60 Hz
Consommation d'énergie	Environ 5 W
Interfaces	100BASE-TX/10BASE-T (détection MDI/MDI-X automatique)
Dimensions externes maximales	Environ 98 x 98 x 33 mm (L x H x P)
Poids	Environ 320 g (câble de connexion inclus)
Nombre de clients connectés recommandés	16 maximum
Protocole pris en charge	TCP/IP
Normes	IEEE 802.11b IEEE 802.11g
Fréquence radio	Réseau sans fil 2,4 GHz : 2,4 à 2,4835 GHz (bande ISM)
Distance de connexion maximale	100 m sans obstacles (La distance de connexion maximale dépend de l'environnement de l'appareil.)
WEP (cryptage des données)	64 bits/128 bits
Méthode de modulation	DS-SS OFDM
Température de fonctionnement	5°C à 35°C (sans condensation)
Température de stockage	-20°C à 60°C (sans condensation)

SID

Free Manuals Download Website

<http://myh66.com>

<http://usermanuals.us>

<http://www.somanuals.com>

<http://www.4manuals.cc>

<http://www.manual-lib.com>

<http://www.404manual.com>

<http://www.luxmanual.com>

<http://aubethermostatmanual.com>

Golf course search by state

<http://golfingnear.com>

Email search by domain

<http://emailbydomain.com>

Auto manuals search

<http://auto.somanuals.com>

TV manuals search

<http://tv.somanuals.com>