

# Active Speaker System

## Operating Instructions

### Mode d'emploi

### Bedienungsanleitung

### Manual de instrucciones

### Gebruiksaanwijzing

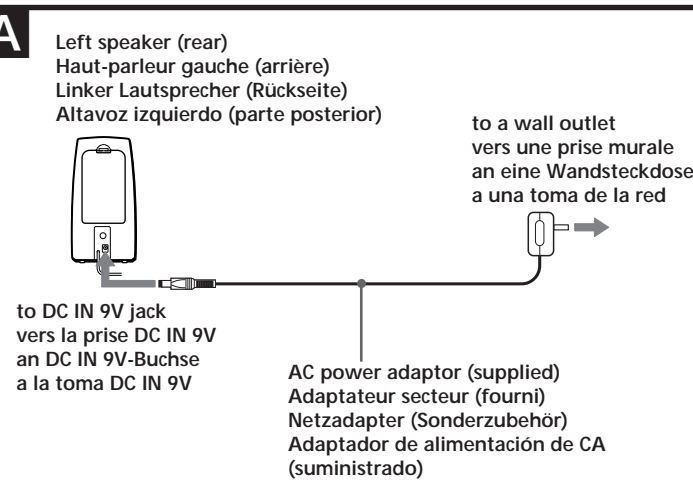
### Bruksanvisning

### Istruzioni per l'uso

### Manual de instruções

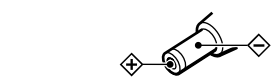
## SRS-A25

Sony Corporation © 1998 Printed in Philippines

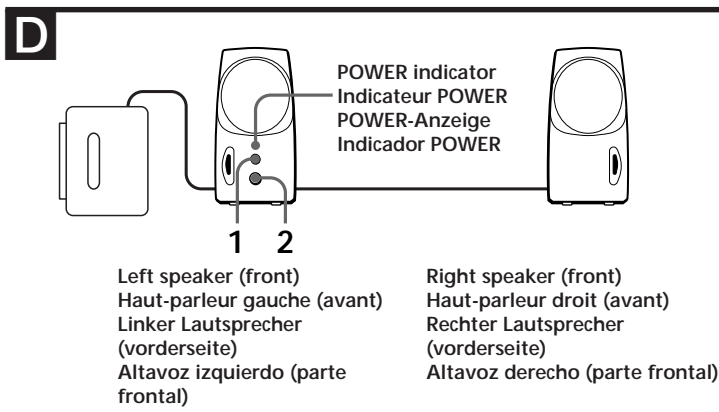
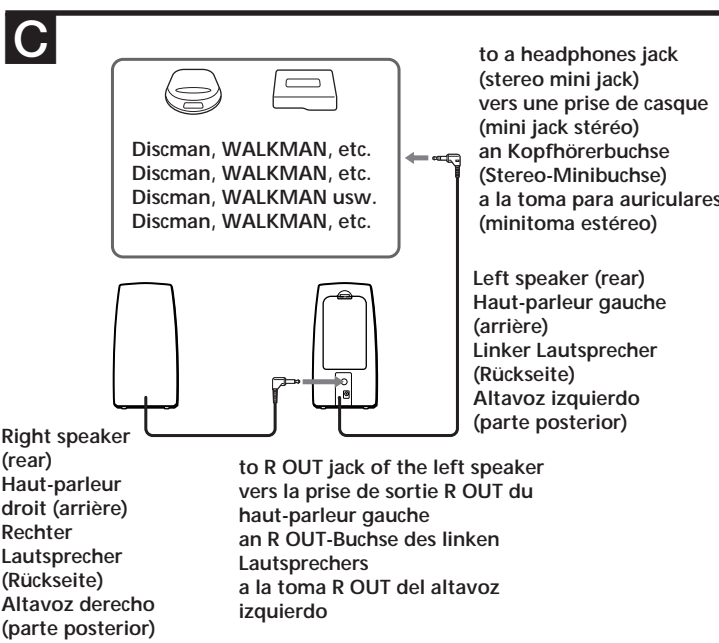
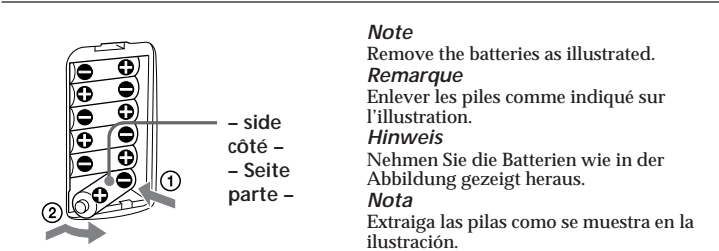
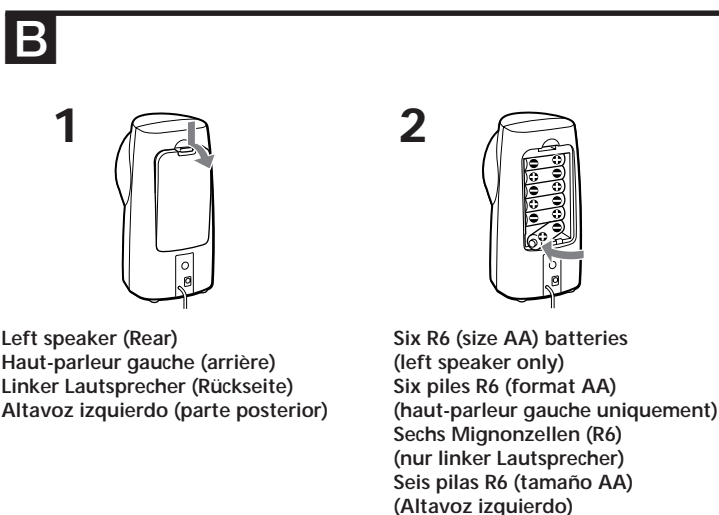


**Note on the AC power adaptor**  
Use only the supplied AC power adaptor. Do not use any other AC power adaptor.  
**Remarque sur l'adaptateur secteur**  
Utilisez uniquement l'adaptateur secteur fourni à l'exclusion de tout autre.  
**Hinweis zum Netzadapter**  
Verwenden Sie nur den mitgelieferten Netzadapter. Ein anderer Netzadapter darf nicht verwendet werden.

**Nota sobre el adaptador de alimentación de CA**  
Utilice solamente el adaptador de alimentación de CA suministrado. No utilice ningún otro adaptador de alimentación de CA.



**Polarity of the plug**  
**Polarité de la fiche**  
**Steckerpolarität**  
**Polaridad de la clavija**



**English**

Before operating the unit, please read this manual thoroughly and retain it for future reference.

**WARNING**

To prevent fire or shock hazard, do not expose the unit to rain or moisture.

To avoid electrical shock, do not open the cabinet. Refer servicing to qualified personnel only.

**Features**

The Sony SRS-A25 is a compact-size speaker system with a built-in power amplifier. This system can be connected to a Discman, WALKMAN® headphone stereo, etc.

- The magnetically shielded speakers should have little effect on a TV screen or record tapes, etc. when placed close to them.
- Power output of 1.5 W + 1.5 W
- The "dynamic sound duct" assures a rich and powerful bass.

\* WALKMAN is a registered trademark of Sony Corporation.

**Power Sources**  
(See fig. **A**)

**Using on house current**

When the AC power adaptor is connected to the system, internal batteries are automatically disconnected.

**Battery installation**  
(See fig. **B**)

\* WALKMAN is a registered trademark of Sony Corporation.

**Precautions**

- Operate the system only on 9 V DC. For AC operation, use only the supplied AC power adaptor. Do not use any other AC power adaptor.
- After operating the system with the AC power adaptor, disconnect the AC power adaptor from the wall outlet if the system is not to be used for an extended period of time. The POWER switch on the left speaker does not turn the AC power adaptor off.
- If the system is not to be used for a long period of time or is to be operated extensively on AC power, remove the batteries to avoid damage caused by battery leakage and corrosion.
- Do not open the cabinet. Refer servicing to qualified personnel only.
- Do not leave the system in a location near heat sources, or in a place subject to direct sunlight, excessive dust, moisture, rain or mechanical shock.
- Should any solid object or liquid fall into the system, remove the batteries and have the system checked by qualified personnel before operating it any further.
- Do not use alcohol, benzene, or thinner to clean the cabinet.
- Although this system is magnetically shielded, do not leave recorded tapes, watches, personal credit cards or floppy disks using magnetic coding in front of the system for an extended period of time.

**Connections (See fig. **C**)**

Connect the left speaker to the source equipment.

When the system is connected to a monoaural jack of a radio, etc., the sound may only come through the left speaker. In such a case, use the optional Sony plug adaptor PC-236HG. The sound will come through both speakers.

**How to Use**  
(See fig. **D**)

**Listening to the sound through the built-in amplifier**

- Press the POWER switch (= ON). The POWER indicator lights up.
- Adjust the VOLUME control.

**Listening to the sound without the built-in amplifier**

Set the POWER switch (□ OFF / DIRECT). In this case, the VOLUME control does not operate. Adjust the volume with the connected equipment.

**Specifications**

**Amplifier section**

**Power output**  
1.5 W + 1.5 W

**Input impedance**  
4.7 kilohms (± 1 kHz)

**Speaker section**

**System**  
Full-range, bass reflex type

**Speaker unit**  
Full-range (magnetically shielded): ø 57 mm (2 1/4 in.)

**Nominal impedance**  
8 ohms (OFF / DIRECT)

**Rated input power**  
1.5 W (OFF / DIRECT)

**General**

**Power requirement**  
DC 9 V, six R6 (size AA) batteries (left speaker only)

**Inputs**  
Input cord  
left: stereo miniplug (1.0 m)  
right: monoaural miniplug (1.0 m)

**Battery life (at 5 mW + 5 mW output)**  
Approx. 10 hours with Sony batteries R6P(SR),  
Approx. 29 hours with Sony alkaline batteries LR6 (SG)

**Dimensions**  
Approx. 90 × 160 × 120 mm (w/h/d) (3 5/8 × 6 3/8 × 4 3/4 in.)

**Mass**  
Left speaker: Approx. 360 g (13 oz.)  
Right speaker: Approx. 290 g (10 oz.) not incl. batteries

**Supplied accessory**  
AC power adaptor (1)

**Optional accessories**  
Plug adaptor PC-236HG  
Connecting cord RK-G138HG

Design and specifications are subject to change without notice.

**Power Sources**  
(See fig. **A**)

**Using on house current**

When the AC power adaptor is connected to the system, internal batteries are automatically disconnected.

**Battery installation**  
(See fig. **B**)

\* WALKMAN is a registered trademark of Sony Corporation.

**Precautions**

- Operate the system only on 9 V DC. For AC operation, use only the supplied AC power adaptor. Do not use any other AC power adaptor.
- After operating the system with the AC power adaptor, disconnect the AC power adaptor from the wall outlet if the system is not to be used for an extended period of time. The POWER switch on the left speaker does not turn the AC power adaptor off.
- If the system is not to be used for a long period of time or is to be operated extensively on AC power, remove the batteries to avoid damage caused by battery leakage and corrosion.
- Do not open the cabinet. Refer servicing to qualified personnel only.
- Do not leave the system in a location near heat sources, or in a place subject to direct sunlight, excessive dust, moisture, rain or mechanical shock.
- Should any solid object or liquid fall into the system, remove the batteries and have the system checked by qualified personnel before operating it any further.
- Do not use alcohol, benzene, or thinner to clean the cabinet.
- Although this system is magnetically shielded, do not leave recorded tapes, watches, personal credit cards or floppy disks using magnetic coding in front of the system for an extended period of time.

**Connections (See fig. **C**)**

Connect the left speaker to the source equipment.

When the system is connected to a monoaural jack of a radio, etc., the sound may only come through the left speaker. In such a case, use the optional Sony plug adaptor PC-236HG. The sound will come through both speakers.

**How to Use**  
(See fig. **D**)

**Listening to the sound through the built-in amplifier**

- Press the POWER switch (= ON). The POWER indicator lights up.
- Adjust the VOLUME control.

**Listening to the sound without the built-in amplifier**

Set the POWER switch (□ OFF / DIRECT). In this case, the VOLUME control does not operate. Adjust the volume with the connected equipment.

**Français**

Avant la mise en service de cet appareil, prière de lire attentivement ce mode d'emploi que l'on conservera pour toute référence ultérieure.

**AVERTISSEMENT**

Afin d'éviter tout risque d'incendie ou d'électrocution, ne pas exposer cet appareil à la pluie ou à l'humidité.

Afin d'écarter tout risque d'électrocution, garder le coffret fermé. Ne confier l'entretien de l'appareil qu'à un personnel qualifié.

**Caractéristiques**

Le système Sony SRS-A25 est un système de haut-parleurs de forme compacte avec amplificateur intégré. Il peut être raccordé à un Discman, WALKMAN®, casque stéréo, etc.

- Les haut-parleurs à blindage magnétique affectent peu les écrans de télévision ou cassettes enregistrées, etc. quand ils sont placés à proximité.
- Puissance de sortie de 1.5 W + 1.5 W
- L'évent pour son dynamique procure de des graves riches et puissantes.

\* WALKMAN est une marque déposée de Sony Corporation.

**Power Sources**  
(See fig. **A**)

**Using on house current**

When the AC power adaptor is connected to the system, internal batteries are automatically disconnected.

**Battery installation**  
(See fig. **B**)

\* WALKMAN is a registered trademark of Sony Corporation.

**Precautions**

- Operate the system only on 9 V DC. For AC operation, use only the supplied AC power adaptor. Do not use any other AC power adaptor.
- After operating the system with the AC power adaptor, disconnect the AC power adaptor from the wall outlet if the system is not to be used for an extended period of time. The POWER switch on the left speaker does not turn the AC power adaptor off.
- If the system is not to be used for a long period of time or is to be operated extensively on AC power, remove the batteries to avoid damage caused by battery leakage and corrosion.
- Do not open the cabinet. Refer servicing to qualified personnel only.
- Do not leave the system in a location near heat sources, or in a place subject to direct sunlight, excessive dust, moisture, rain or mechanical shock.
- Should any solid object or liquid fall into the system, remove the batteries and have the system checked by qualified personnel before operating it any further.
- Do not use alcohol, benzene, or thinner to clean the cabinet.
- Although this system is magnetically shielded, do not leave recorded tapes, watches, personal credit cards or floppy disks using magnetic coding in front of the system for an extended period of time.

**Connections (See fig. **C**)**

Connect the left speaker to the source equipment.

When the system is connected to a monoaural jack of a radio, etc., the sound may only come through the left speaker. In such a case, use the optional Sony plug adaptor PC-236HG. The sound will come through both speakers.

**How to Use**  
(See fig. **D**)

**Listening to the sound through the built-in amplifier**

- Press the POWER switch (= ON). The POWER indicator lights up.
- Adjust the VOLUME control.

**Listening to the sound without the built-in amplifier**

Set the POWER switch (□ OFF / DIRECT). In this case, the VOLUME control does not operate. Adjust the volume with the connected equipment.

**Deutsch**

Lesen Sie diese Anleitung sorgfältig durch und behalten Sie sie zum späteren Nachschlagen gut auf.

**VORSICHT**

Um Feuergefahr und die Gefahr eines elektrischen Schlagens zu vermeiden, darf das Gerät weder Regen noch Feuchtigkeit ausgesetzt werden.

Um einen elektrischen Schlag zu vermeiden, darf das Gehäuse nicht geöffnet werden. Überlassen Sie Wartungsarbeiten stets nur einem Fachmann.

**Besondere Merkmale**

Das Sony Kompakt-Lautsprechersystem SRS-A25 besitzt einen eingebauten Verstärker und ermöglicht den direkten Anschluß eines Discman, WALKMAN® usw.

- Die magnetische Abschirmung der Lautsprecher verhindert weitgehend eine Beeinflussung des Fernsehbilds oder der Ton- und Bildlauten von Cassetten.
- Dank eines speziellen Schallanalyse-Systems liefern die Lautsprecher trotz ihrer Kompaktheit dynamische Bässe.

\* WALKMAN ist ein eingetragenes Warenzeichen der Sony Corporation.

**Power Sources**  
(See fig. **A**)

**Using on house current**

When the AC power adaptor is connected to the system, internal batteries are automatically disconnected.

**Battery installation**  
(See fig. **B**)

\* WALKMAN is a registered trademark of Sony Corporation.

**Precautions**

- Operate the system only on 9 V DC. For AC operation, use only the supplied AC power adaptor. Do not use any other AC power adaptor.
- After operating the system with the AC power adaptor, disconnect the AC power adaptor from the wall outlet if the system is not to be used for an extended period of time. The POWER switch on the left speaker does not turn the AC power adaptor off.
- If the system is not to be used for a long period of time or is to be operated extensively on AC power, remove the batteries to avoid damage caused by battery leakage and corrosion.
- Do not open the cabinet. Refer servicing to qualified personnel only.
- Do not leave the system in a location near heat sources, or in a place subject to direct sunlight, excessive dust, moisture, rain or mechanical shock.
- Should any solid object or liquid fall into the system, remove the batteries and have the system checked by qualified personnel before operating it any further.
- Do not use alcohol, benzene, or thinner to clean the cabinet.
- Although this system is magnetically shielded, do not leave recorded tapes, watches, personal credit cards or floppy disks using magnetic coding in front of the system for an extended period of time.

**Connections (See fig. **C**)**

Connect the left speaker to the source equipment.

When the system is connected to a monoaural jack of a radio, etc., the sound may only come through the left speaker. In such a case, use the optional Sony plug adaptor PC-236HG. The sound will come through both speakers.

**How to Use**  
(See fig. **D**)

**Listening to the sound through the built-in amplifier**

- Press the POWER switch (= ON). The POWER indicator lights up.
- Adjust the VOLUME control.

**Listening to the sound without the built-in amplifier**

Set the POWER switch (□ OFF / DIRECT). In this case, the VOLUME control does not operate. Adjust the volume with the connected equipment.

**Español**

Antes de utilizar la unidad, lea este manual detenidamente y consérvelo para futuras referencias.

**ADVERTENCIA**

Para evitar incendios o el riesgo de electrocución, no exponga la unidad a la lluvia ni a la humedad.

Para evitar descargas eléctricas, no abra la unidad. En caso de avería, solicite los servicios de personal cualificado.

**Particularidades**

El SRS-A25 es un sistema de altavoces compactos, tamaño bolsillo, con un amplificador de potencia incorporado. El sistema podrá conectarse a un Discman, un WALKMAN® de cascos auriculares, etc.

- Los altavoces tienen blindado antimagnetismo y su presencia cerca de un televisor o de cintas grabadas no los afectará.
- Salida de potencia de 1.5 W + 1.5 W
- El "conductor de sonido dinámico" asegura graves ricos y potentes.

\* WALKMAN es marca registrada de Sony Corporation.

**Power Sources**  
(See fig. **A**)

**Using on house current**

When the AC power adaptor is connected to the system, internal batteries are automatically disconnected.

**Battery installation**  
(See fig. **B**)

\* WALKMAN is a registered trademark of Sony Corporation.

**Precautions**

- Operate the system only on 9 V DC. For AC operation, use only the supplied AC power adaptor. Do not use any other AC power adaptor.
- After operating the system with the AC power adaptor, disconnect the AC power adaptor from the wall outlet if the system is not to be used for an extended period of time. The POWER switch on the left speaker does not turn the AC power adaptor off.
- If the system is not to be used for a long period of time or is to be operated extensively on AC power, remove the batteries to avoid damage caused by battery leakage and corrosion.
- Do not open the cabinet. Refer servicing to qualified personnel only.
- Do not leave the system in a location near heat sources, or in a place subject to direct sunlight, excessive dust, moisture, rain or mechanical shock.
- Should any solid object or liquid fall into the system, remove the batteries and have the system checked by qualified personnel before operating it any further.
- Do not use alcohol, benzene, or thinner to clean the cabinet.
- Although this system is magnetically shielded, do not leave recorded tapes, watches, personal credit cards or floppy disks using magnetic coding in front of the system for an extended period of time.

**Connections (See fig. **C**)**

Connect the left speaker to the source equipment.

When the system is connected to a monoaural jack of a radio, etc., the sound may only come through the left speaker. In such a case, use the optional Sony plug adaptor PC-236HG. The sound will come through both speakers.

**How to Use**  
(See fig. **D**)

**Listening to the sound through the built-in amplifier**

- Press the POWER switch (= ON). The POWER indicator lights up.
- Adjust the VOLUME control.

**Listening to the sound without the built-in amplifier**

Set the POWER switch (□ OFF / DIRECT). In this case, the VOLUME control does not operate. Adjust the volume with the connected equipment.

**Español**

Antes de utilizar la unidad, lea este manual detenidamente y consérvelo para futuras referencias.

**ADVERTENCIA**

Para evitar incendios o el riesgo de electrocución, no exponga la unidad a la lluvia ni a la humedad.

Para evitar descargas eléctricas, no abra la unidad. En caso de avería, solicite los servicios de personal cualificado.

**Particularidades**

El SRS-A25 es un sistema de altavoces compactos, tamaño bolsillo, con un amplificador de potencia incorporado. El sistema podrá conectarse a un Discman, un WALKMAN® de cascos auriculares, etc.

- Los altavoces tienen blindado antimagnetismo y su presencia cerca de un televisor o de cintas grabadas no los afectará.
- Salida de potencia de 1.5 W + 1.5 W
- El "conductor de sonido dinámico" asegura graves ricos y potentes.

\* WALKMAN es marca registrada de Sony Corporation.

**Power Sources**  
(See fig. **A**)

**Using on house current**

When the AC power adaptor is connected to the system, internal batteries are automatically disconnected.

**Battery installation**  
(See fig. **B**)

\* WALKMAN is a registered trademark of Sony Corporation.

**Precautions**

- Operate the system only on 9 V DC. For AC operation, use only the supplied AC power adaptor. Do not use any other AC power adaptor.
- After operating the system with the AC power adaptor, disconnect the AC power adaptor from the wall outlet if the system is not to be used for an extended period of time. The POWER switch on the left speaker does not turn the AC power adaptor off.
- If the system is not to be used for a long period of time or is to be operated extensively on AC power, remove the batteries to avoid damage caused by battery leakage and corrosion.
- Do not open the cabinet. Refer servicing to qualified personnel only.
- Do not leave the system in a location near heat sources, or in a place subject to direct sunlight, excessive dust, moisture, rain or mechanical shock.
- Should any solid object or liquid fall into the system, remove the batteries and have the system checked by qualified personnel before operating it any further.
- Do not use alcohol, benzene, or thinner to clean the cabinet.
- Although this system is magnetically shielded, do not leave recorded tapes, watches, personal credit cards or floppy disks using magnetic coding in front of the system for an extended period of time.

**Connections (See fig. **C**)**

Connect the left speaker to the source equipment.

When the system is connected to a monoaural jack of a radio, etc., the sound may only come through the left speaker. In such a case, use the optional Sony plug adaptor PC-236HG. The sound will come through both speakers.

**How to Use**  
(See fig. **D**)

**Listening to the sound through the built-in amplifier**

- Press the POWER switch (= ON). The POWER indicator lights up.
- Adjust the VOLUME control.

**Listening to the sound without the built-in amplifier**

Set the POWER switch (□ OFF / DIRECT). In this case, the VOLUME control does not operate. Adjust the volume with the connected equipment.

**Español**

Antes de utilizar la unidad, lea este manual detenidamente y consérvelo para futuras referencias.

**ADVERTENCIA**

Para evitar incendios o el riesgo de electrocución, no exponga la unidad a la lluvia ni a la humedad.

Para evitar descargas eléctricas, no abra la unidad. En caso de avería, solicite los servicios de personal cualificado.

**Particularidades**

El SRS-A25 es un sistema de altavoces compactos, tamaño bolsillo, con un amplificador de potencia incorporado. El sistema podrá conectarse a un Discman, un WALKMAN® de cascos auriculares, etc.

- Los altavoces tienen blindado antimagnetismo y su presencia cerca de un televisor o de cintas grabadas no los afectará.
- Salida de potencia de 1.5 W + 1.5 W
- El "conductor de sonido dinámico" asegura graves ricos y potentes.

\* WALKMAN es marca registrada de Sony Corporation.

**Power Sources**  
(See fig. **A**)

**Using on house current**

When the AC power adaptor is connected to the system, internal batteries are automatically disconnected.

**Battery installation**  
(See fig. **B**)

\* WALKMAN is a registered trademark of Sony Corporation.

**Precautions**

- Operate the system only on 9 V DC. For AC operation, use only the supplied AC power adaptor. Do not use any other AC power adaptor.
- After operating the system with the AC power adaptor, disconnect the AC power adaptor from the wall outlet if the system is not to be used for an extended period of time. The POWER switch on the left speaker does not turn the AC power adaptor off.
- If the system is not to be used for a long period of time or is to be operated extensively on AC power, remove the batteries to avoid damage caused by battery leakage and corrosion.
- Do not open the cabinet. Refer servicing to qualified personnel only.
- Do not leave the system in a location near heat sources, or in a place subject to direct sunlight, excessive dust, moisture, rain or mechanical shock.
- Should any solid object or liquid fall into the system, remove the batteries and have the system checked by qualified personnel before operating it any further.
- Do not use alcohol, benzene, or thinner to clean the cabinet.
- Although this system is magnetically shielded, do not leave recorded tapes, watches, personal credit cards or floppy disks using magnetic coding in front of the system for an extended period of time.

**Connections (See fig. **C**)**

Connect the left speaker to the source equipment.

When the system is connected to a monoaural jack of a radio, etc., the sound may only come through the left speaker. In such a case, use the optional Sony plug adaptor PC-236HG. The sound will come through both speakers.

**How to Use**  
(See fig. **D**)

**Listening to the sound through the built-in amplifier**

- Press the POWER switch (= ON). The POWER indicator lights up.
- Adjust the VOLUME control.

**Listening to the sound without the built-in amplifier**

Set the POWER switch (□ OFF / DIRECT). In this case, the VOLUME control does not operate. Adjust the volume with the connected equipment.



## Free Manuals Download Website

<http://myh66.com>

<http://usermanuals.us>

<http://www.somanuals.com>

<http://www.4manuals.cc>

<http://www.manual-lib.com>

<http://www.404manual.com>

<http://www.luxmanual.com>

<http://aubethermostatmanual.com>

Golf course search by state

<http://golfingnear.com>

Email search by domain

<http://emailbydomain.com>

Auto manuals search

<http://auto.somanuals.com>

TV manuals search

<http://tv.somanuals.com>