

Features

The Sony SRS-PC41 is a compact-size speaker system with a built-in power amplifier. This system can be connected to a personal computer, Discman, WALKMAN* headphone stereo, etc.

- The magnetically shielded speakers should have little effect on a TV screen or recorded tapes, etc. when placed close to them.
- IBB (Intelligent Bass Boost) circuit enables you to obtain powerful bass, regardless of the sound volume.
- Power output of 3 W + 3 W

- The "dynamic sound duct" assures a rich and powerful bass.
- Two INPUT jacks enable you to connect two audio systems at the same time to the SRS-PC41.
- AUDIO OUT jack enables you to connect an additional sub woofer etc. to the SRS-PC41.

* WALKMAN is a registered trademark of Sony Corporation.

Precautions

- Operate the system only on 9 V DC. For AC operation, use only the supplied AC power adaptor. Do not use any other AC power adaptor.
- After operating the system with the AC power adaptor, disconnect the AC power adaptor from the wall outlet if the system is not to be used for an extended period of time. The POWER switch on the system does not turn the AC power adaptor off.
- If the system is not to be used for a long period of time or is to be operated extensively on AC power, remove the batteries to avoid damage caused by battery leakage and corrosion.
- Do not open the cabinet. Refer servicing to qualified personnel only.
- Do not leave the system in a location near heat sources, or in a place subject to direct sunlight, excessive dust, moisture, rain or mechanical shock.
- Should any solid object or liquid fall into the system, remove the batteries and have the system checked by qualified personnel before operating it any further.
- Do not use alcohol, benzine or thinner to clean the cabinet.
- Although this system is magnetically shielded, do not leave recorded tapes, watches, personal credit cards or floppy disks using magnetic coding in front of the system for an extended period of time.

If the TV picture or monitor display is magnetically distorted

Although this system is magnetically shielded, there may be cases that the picture on some TV sets/personal computer sets may become magnetically distorted. In such a case, turn off the power of the TV set/personal computer set once, and after 15 to 30 minutes turn it on again. For the personal computer set, take the appropriate measures such as data storage before turning it off.

When there seems to be no improvement,

locate the system further away from the TV set/personal computer set. Furthermore, be sure not to place objects in which magnets are attached or used near the TV set/personal computer set, such as audio racks, TV stands, toys etc. These may cause magnetic distortion to the picture due to their interaction with the system.

If you have any questions or problems concerning your system that are not covered in this manual, please consult your nearest Sony dealer.

Specifications

Amplifier section

Power output 3 W + 3 W
Input impedance 4.7 kilohms (at 1 kHz)

Speaker section

System Full-range bass reflex type
Speaker unit Full-range (magnetically shielded):
ø 65 mm (2⁵/₈ in.)
Nominal impedance 6 ohms (OFF/DIRECT)
Rated input power 3 W (OFF/DIRECT)

General

Power requirement DC 9 V, six size AA (R6) batteries (left speaker only)
Inputs Left speaker: Input cord (2 m) with stereo mini plug (INPUT 1)
Stereo mini jack (INPUT 2)
Right speaker: Input cord (1.5 m) with monaural mini plug
Output Stereo mini jack (AUDIO OUT)

Battery life (at 5 mW + 5 mW output)

Approx. 17 hours with Sony batteries R6P (SR),
Approx. 35 hours with Sony alkaline batteries LR6 (SG)

Dimensions Approx. 95 × 205 × 110 mm (w/h/d)
(3³/₄ × 8¹/₈ × 4³/₈ in.)

Mass Left speaker: Approx. 580 g
(1 lb. 4 oz.)
Right speaker: Approx. 500 g
(1 lb. 2 oz.) not incl. batteries

Supplied accessory

AC power adaptor (1)

Optional accessories

Plug adaptor PC-236MS, PC-234S
Connecting cord RK-G138, RK-G136HG
Sub woofer SA-W101

Design and specifications are subject to change without notice.

SONY

3-856-032-21 (1)

Active Speaker System

Operating Instructions

Before operating the unit, please read this manual thoroughly and retain it for future reference.

SRS-PC41

Sony Corporation © 1995 Printed in Japan

Owner's Record

The model number is located on the front of the unit and the serial number is located inside the battery compartment. Record the serial number in the space provided below. Refer to them whenever you call upon your Sony dealer regarding this product.

Model No. SRS-PC41

Serial No. _____

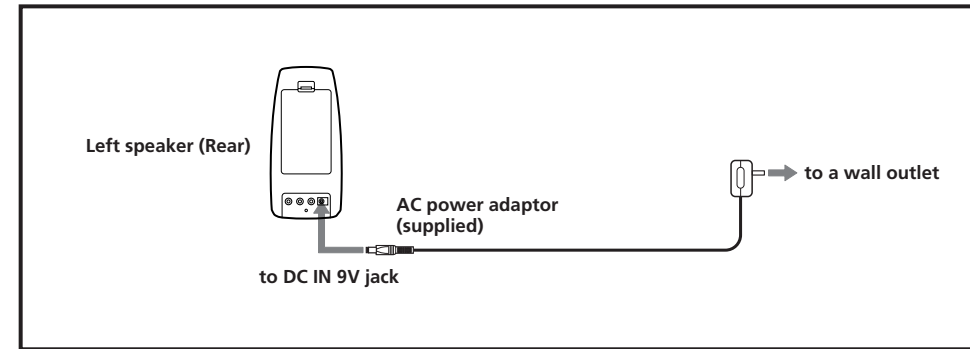
WARNING

To prevent fire or shock hazard, do not expose the unit to rain or moisture.

To avoid electrical shock, do not open the cabinet. Refer servicing to qualified personnel only.

Power Sources

Using on house current



When the AC power adaptor is connected to the system, internal batteries are automatically disconnected.

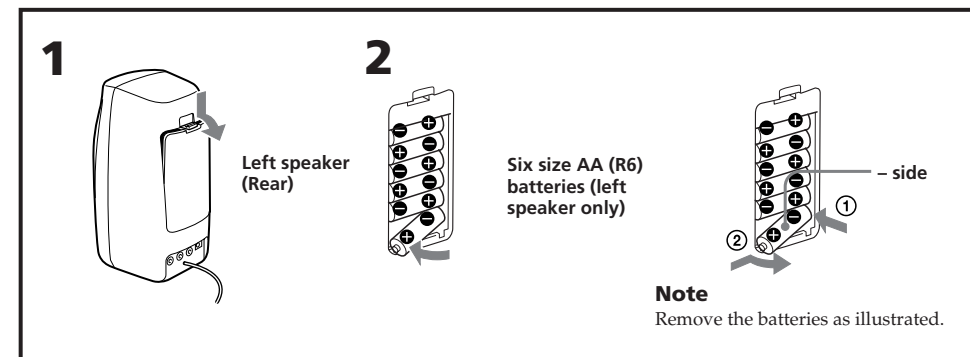
Note on the AC power adaptor

Use only the supplied AC power adaptor. Do not use any other AC power adaptor.



Polarity of the plug

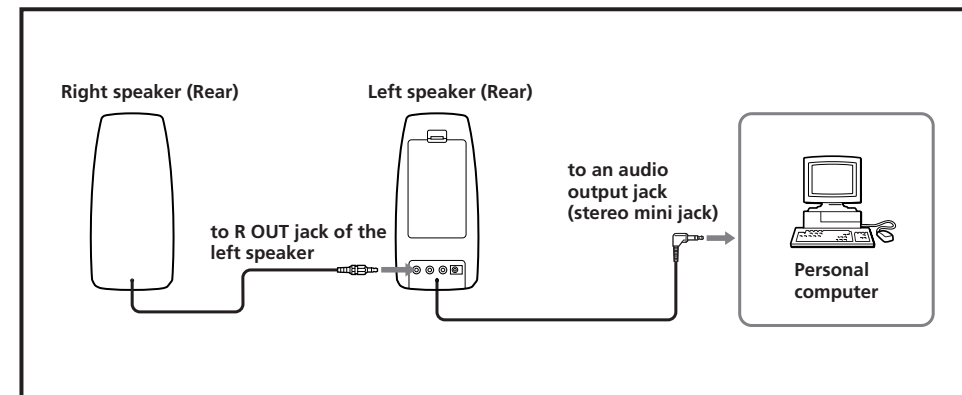
Battery installation



Battery Replacement

When the batteries are weak, the POWER indicator will start flickering and become faint, or the playback sound will be distorted or unstable. In such a case, replace all the batteries with new ones. For battery life, see "Specifications".

Connections



Connect the left speaker to the source equipment.

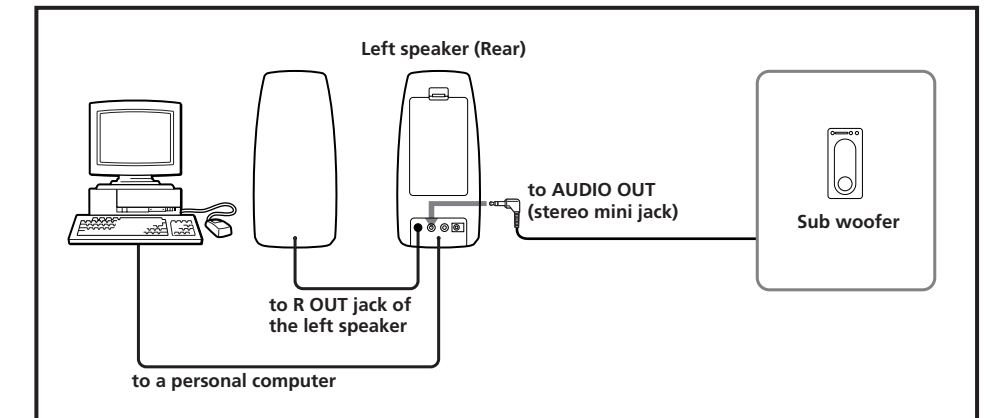
To connect to a stereo phone-type headphones jack

Use the optional PC-234S plug adaptor or RK-G138 connecting cord.

When the system is connected to a monaural jack of a radio, etc., the sound may only come through the left speaker. In such a case, use the optional Sony plug adaptor PC-236MS.

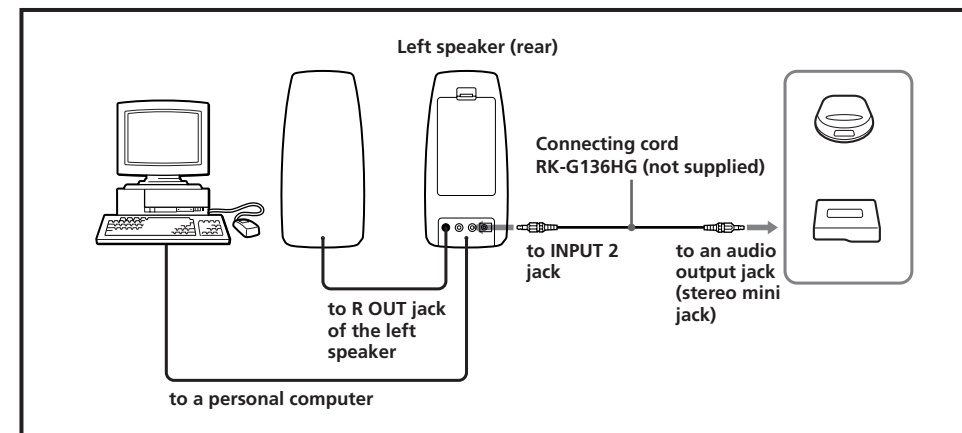
The sound will come through both speakers.

Connecting to a sub woofer



Connect a sub woofer to AUDIO OUT jack (stereo mini jack). The volume of the connected speaker system is adjustable with the VOLUME control.

Connecting to a Discman, Walkman, etc.

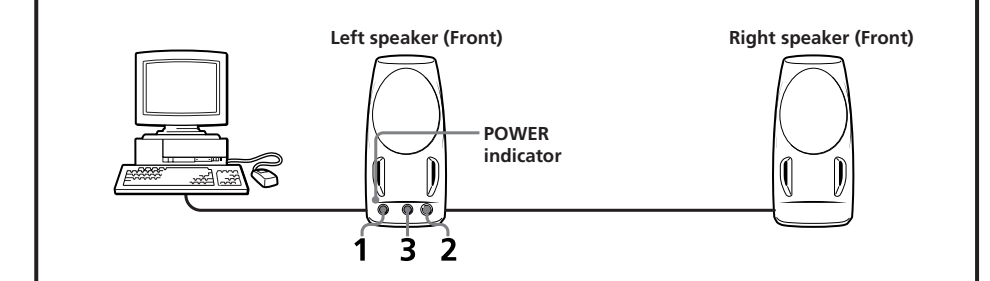


Note

When two types of equipment are connected to the system and are played at the same time, the sound from both of them will come out of the speakers. When you wish to play only one equipment, make sure that the other equipment is turned off or its volume is turned down.

How to Use

Listening to the sound through the built-in amplifier



- 1** Press the POWER switch (ON). The POWER indicator lights up.
- 2** Adjust the VOLUME control.
- 3** Press the IBB switch (ON) to reinforce the bass. Turn off the MEGABASS (Walkman) or BASS BOOST (Discman, etc.) function as it may cause sound distortion. Press the switch again (OFF) to cancel the bass boost function.

After listening, press the POWER switch (OFF/DIRECT). The POWER indicator goes off.

Listening to the sound without the built-in amplifier

Set the POWER switch (OFF/DIRECT). In this case, the VOLUME control and the IBB switch do not operate. Adjust the volume with the connected equipment.

Free Manuals Download Website

<http://myh66.com>

<http://usermanuals.us>

<http://www.somanuals.com>

<http://www.4manuals.cc>

<http://www.manual-lib.com>

<http://www.404manual.com>

<http://www.luxmanual.com>

<http://aubethermostatmanual.com>

Golf course search by state

<http://golfingnear.com>

Email search by domain

<http://emailbydomain.com>

Auto manuals search

<http://auto.somanuals.com>

TV manuals search

<http://tv.somanuals.com>