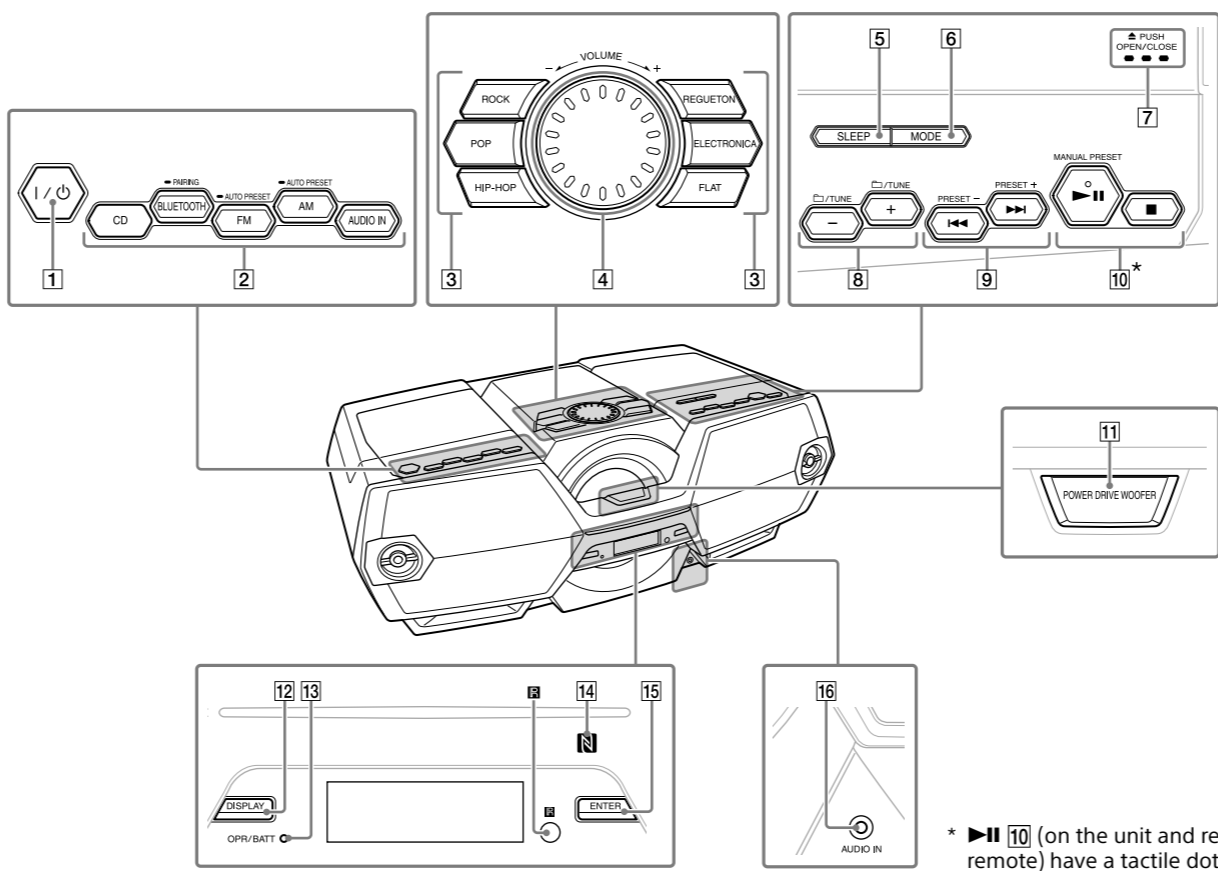


Personal Audio System

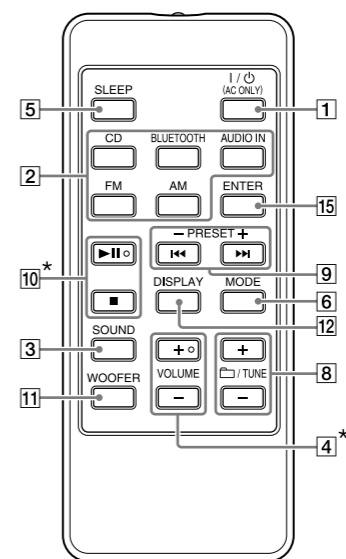
Operating Instructions

Basic Operations

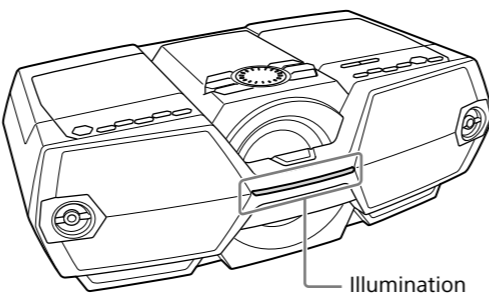
Unit



Remote



Illumination



When connected to a BLUETOOTH device, the illumination lamp lights up or flashes blue. When using CD, radio, AUDIO IN function, or when the BLUETOOTH is disconnected, the illumination lamp lights up white.

Tip
To turn the illumination on/off, hold down **TUNE** - [8] and **BLUETOOTH** [2] for 2 seconds when the BLUETOOTH function is on.

Before using the unit

To turn the power on or off
Press I/O (1/2) (AC ONLY) on the remote [1].

To adjust the volume
Turn **VOLUME** [4] clockwise (+) or counterclockwise (-) on the unit, or press **VOLUME** - or + [4] on the remote. The volume level of this unit is adjustable in steps from 0 ("VOL 0" on the display) to 31 ("VOL MAX" on the display).

To select the sound characteristic
Press **ROCK**, **POP**, **HIP-HOP**, **REGUETON**, **ELECTRONICA**, or **FLAT** [3] to select the desired audio emphasis. On the remote, each time you press **SOUND** [3], the audio emphasis setting changes as follows:
ROCK → **POP** → **HIP-HOP**
FLAT → **ELECTRONICA** → **REGUETON**

To reinforce the bass
Press **POWER DRIVE WOOFER** [11] (WOOFER 1 on the remote) repeatedly to select the type of bass sound with speaker lighting effect. Each time you press the button, the indication changes as follows:
WOOFER 2 LIGHT SYNC* (default) → Off
1
WOOFER 2 → **WOOFER 1**

Setting the automatic demonstration

An automatic demonstration mode is installed in this unit, and default setting is off. When the setting is on, the speaker lighting effect will activate in the following cases:
- when the unit is turned off
- when no playback in the CD function
- when the BLUETOOTH connection is not established in the BLUETOOTH function (when "NO BT" is displayed)

To set the automatic demonstration on/off
With the unit turned on, hold down **MODE** [1] until "DEMO MODE OFF" (setting is off) or "DEMO MODE ON" (setting is on) appears on the display.

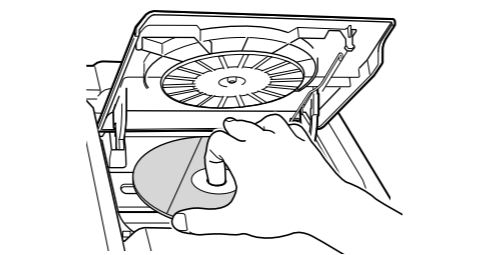
Note
Demonstration mode does not function when operating using batteries.

Playing a music disc

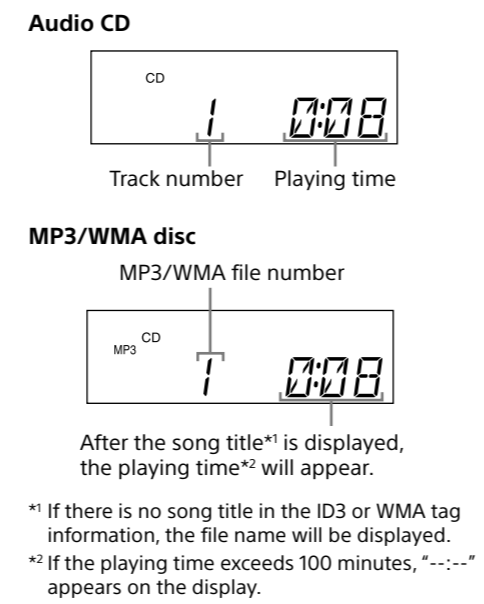
You can play the following types of discs with this unit.

- Audio CDs on which CD-DA tracks are recorded in CD-DA disc format.
- CD-R/CD-RW discs on which MP3 or WMA audio files are recorded in ISO 9660 Level 1/ Level 2 or Joliet.

- Press **CD** [2] to turn on the CD function.
- Press **PUSH OPEN/CLOSE** [7], and place a disc with the label side up into the CD compartment.

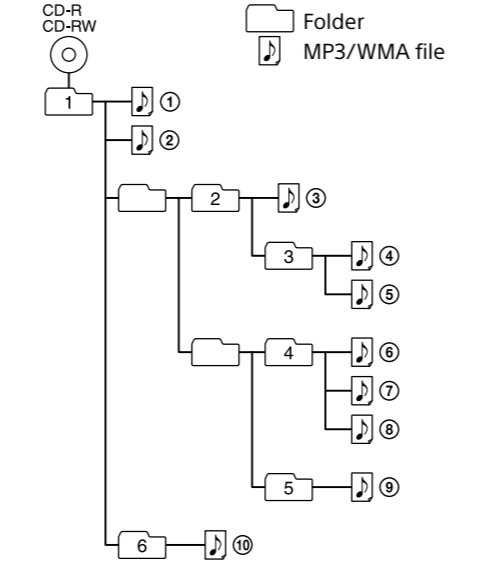


- Press **PUSH OPEN/CLOSE** [7] to close the CD compartment.
- Press **▶▶** [10] to start playback. When you play an MP3 or WMA disc, "MP3" (for MP3 files) or "WMA" (for WMA files) lights up on the display.



To	Do this
Pause playback	Press ▶▶ [10]. To resume playback, press the button again.
Stop playback	Press ■ [10].
Select a folder on an MP3/WMA disc	Press ← or → [8].
Select a track/file	Press ◀ or ▶ [9]. You can skip tracks/files one by one.
Find a point in a track/file	Hold down ◀ or ▶ [9] during playback, and release the button at the desired point. When locating a point in pause status, press ▶▶ [10] to start playback after the desired point is found.

Example of folder structure and playing order
The playing order of the folders and files is as follows:



- Notes on MP3/WMA discs**
- When a disc is loaded, the unit reads all the files on that disc. During this time, "READING" is displayed. If there are many folders or non-MP3/WMA files on the disc, it may take a long time for play to begin or for the next MP3/WMA file to start to play.
 - We recommend that non-MP3/WMA files or unnecessary folders are excluded when creating MP3/WMA discs.
 - During playback, folders that contain no MP3/WMA files are skipped.

- The audio formats supported by this unit are as follows:
 - MP3: file extension ".mp3"
 - WMA: file extension ".wma"
 Note that even though a file name has a supported file extension but the actual file was created in a different audio format, this unit may produce noise or may malfunction.
- MP3 PRO format is not supported.
- WMA files encoded in WMA DRM, WMA Lossless and WMA PRO formats cannot be played back.
- This unit cannot play audio files on a disc in the following cases:
 - When the total number of audio files exceeds 512.
 - When the total number of folders on a single disc exceeds 255.
 - When the directory level (folder depths) exceeds 9 (including the "ROOT" folder).
- Folder names and file names can be displayed with up to 35 characters, including quotation marks.
- Characters and symbols that cannot be displayed by the unit will appear as "-".
- This unit conforms to version 1.0, 1.1, 2.2, 2.3 and 2.4 of the ID3 tag format for MP3 files and the WMA tag format (defined by the ASF (Advanced Systems Format) specification) for WMA files. When a file has the ID3 or WMA tag information, song title, artist name, and album name will be displayed. If a file does not have the tag information, the unit displays as follows:
 - File name instead of the song title.
 - "NO ARTIST" message instead of the artist name.
 - "NO ALBUM" message instead of the album name.
 ID3 tag information can be displayed for up to 40 characters and WMA tag information can be displayed for up to 40 characters.

Listening to music wirelessly on a BLUETOOTH device

Using the BLUETOOTH connection, you can listen to music from wirelessly connected BLUETOOTH devices such as mobile phones, smartphones, music players, etc.

This unit supports non-NFC compatible BLUETOOTH devices (hereafter "BLUETOOTH device(s)") and NFC-compatible smartphones.

Compatible BLUETOOTH devices
Compatibility requirements for the devices are as follows. Before using with this unit, check that your device meets the requirements.

- Devices must conform to BLUETOOTH Standard version 3.0.
- Devices must support A2DP (Advanced Audio Distribution Profile) and AVRCP (Audio/Video Remote Control Profile).
- NFC capability (required only when using the NFC pairing function of the unit).

For the latest information on compatible BLUETOOTH devices, including NFC compatible smartphones, check the website below.

Customers in the U.S.A.
Access the following Web site for details:
<http://esupport.sony.com/US>

Customers in Canada
Access the following Web site for details:
<http://esupport.sony.com/CA>

Pairing
BLUETOOTH devices must be "paired" with each other beforehand. Once BLUETOOTH devices are paired, there is no need for pairing again, unless pairing information is cleared. With this unit, up to 5 BLUETOOTH devices can be paired. If your device is an NFC-compatible smartphone, the manual pairing procedure is not necessary. Use the smartphone with this unit along with the procedures described under "To connect with a smartphone by one touch (NFC)." When using the BLUETOOTH function, pay attention to the BLUETOOTH status indicator (8) on the display, which shows the network status between the unit and your device.

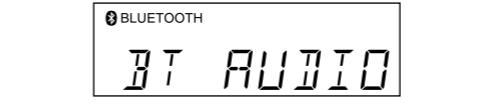
Status	BLUETOOTH indicator (8)
BLUETOOTH connection is off	Off
Pairing, communicating or connecting process	Flashes
Connection is established	Constantly on

To pair with a BLUETOOTH device
Keep the BLUETOOTH device and the unit within 1 meter (3 ft) of each other for this operation.

- Press **BLUETOOTH - PAIRING** [2] to turn on the BLUETOOTH function.
 - Hold down **BLUETOOTH - PAIRING** [2] to activate the pairing mode of the unit. When pairing mode is activated, a double-beep will sound and the BLUETOOTH indicator (8) will flash on the display. To cancel the pairing mode after activation, press **BLUETOOTH - PAIRING** [2] again.
- Tip**
When you turn on the BLUETOOTH function for the first time, this unit will automatically enter the pairing mode and the BLUETOOTH indicator (8) will start flashing.
- Perform the pairing procedure on the BLUETOOTH device. Turn on the BLUETOOTH device and activate the BLUETOOTH function on your device. For details, refer to the instruction manual of your BLUETOOTH device. When the BLUETOOTH function of your device is activated, it will search for pairable devices and display a list of detected devices on its display. Select this unit from the list. This unit appears as "SONY-ZS-BTG900". If "SONY-ZS-BTG900" is not displayed, repeat the procedure from step 2.

If a passcode is required
Some BLUETOOTH devices may require a 4-digit passcode. If your device requires a passcode, enter "0000".

When pairing of the device is completed and the BLUETOOTH connection is established, the BLUETOOTH indicator (8) stops flashing and "BT AUDIO" appears on the display.



If you want to pair with another BLUETOOTH device, repeat steps 2 to 3.

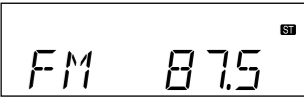
- Notes on pairing with a BLUETOOTH device**
- If you turn off the unit or power off the BLUETOOTH device before the BLUETOOTH connection is established, pairing information will not be stored, and pairing will not be completed.
 - Pairing mode is canceled after about 5 minutes. If pairing mode is canceled before completion, start over from step 2.
 - The operation and display may differ depending on the BLUETOOTH device or the version of BLUETOOTH software installed.
 - "Passcode" may be called "Passkey," "PIN code," "PIN number" or "Password," etc., depending on the BLUETOOTH device. For details on the passcode, refer to the instruction manual of your device.

To terminate a BLUETOOTH connection
You can terminate the BLUETOOTH connection using any of the following operations.

- For a BLUETOOTH device**
 - Turn off the unit.
 - Turn off the device.
 - Press CD, FM, AM or AUDIO IN [2].
 - Disable the BLUETOOTH function on the device.
- For an NFC-compatible smartphone**
 - Touch the smartphone to the N-marked part [14] again.
 - Turn off the unit.
 - Turn off the smartphone.
 - Press CD, FM, AM or AUDIO IN [2].
 - Disable the BLUETOOTH function on the smartphone.

Listening to the radio

- Press **FM** or **AM** [2] to select the band.
- Hold down **TUNE** - or + [8] until the frequency digits begin to change on the display.

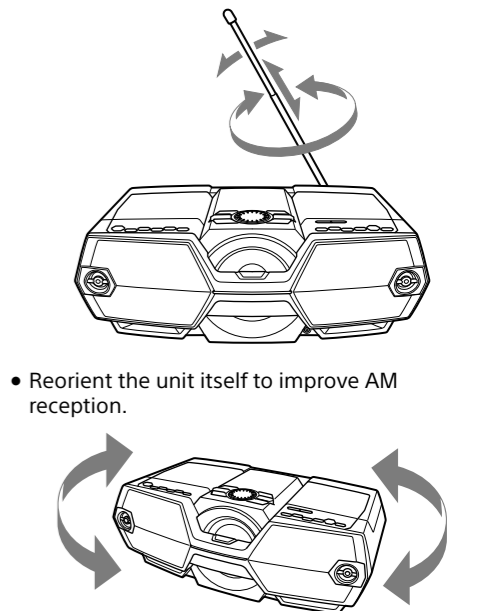


The unit automatically scans the radio frequencies and stops when it finds a clear signal. If you cannot tune to a station using the automatic tuning mode, press **TUNE** - or + [8] repeatedly to change the frequency step by step. When an FM stereo broadcast is received, "ST" lights up on the display.

Tip
If the stereo FM reception is noisy, press **MODE** [6] until "MONO" appears on the display. You will lose the stereo effect, but the broadcast reception will improve.



To improve radio reception
• Reorient the antenna to improve FM reception.



ZS-BTG900

WARNING

To reduce the risk of fire or electric shock, do not expose this apparatus to rain or moisture.

To reduce the risk of fire or electric shock, do not expose this apparatus to dripping or splashing, and do not place objects filled with liquids, such as vases, on the apparatus.

As the main plug is used to disconnect the unit from the mains, connect the unit to an easily accessible AC outlet. Should you notice an abnormality in the unit, disconnect the main plug from the AC outlet immediately.

The unit is not disconnected from the AC power source (mains) as long as it is connected to the wall outlet, even if the unit itself has been turned off.

Do not install the appliance in a confined space, such as a bookcase or built-in cabinet.

Do not expose the batteries (battery pack or batteries installed) to excessive heat such as sunshine, fire or the like for a long time.

The nameplate and important information concerning safety are located on the bottom exterior.

Owner's Record

The model and serial numbers are located on the bottom of the unit. Record these numbers in the space provided below. Refer to them whenever you call upon your Sony dealer regarding this product.

Model No. ZS-BTG900
Serial No. _____

CAUTION

The use of optical instruments with this product will increase eye hazard.

For customers in Canada

This device complies with Industry Canada licence-exempt RSS standard(s). Operation is subject to the following two conditions: (1) This device may not cause interference, and (2) this device must accept any interference, including interference that may cause undesired operation of the device.

Important Safety Instructions

- Read these instructions.
- Keep these instructions.
- Heed all warnings.
- Follow all instructions.
- Do not use this apparatus near water. Clean only with dry cloth.
- Do not block any ventilation openings. Install in accordance with the manufacturer's instructions.
- Do not install near any heat sources such as radiators, heat registers, stoves, or other apparatus (including amplifiers) that produce heat.
- Do not defeat the safety purpose of the polarized or grounding-type plug. A polarized plug has two blades with one wider than the other. A grounding type plug has two blades and a third grounding prong. The wide blade or the third prong are provided for your safety. If the provided plug does not fit into your outlet, consult an electrician for replacement of the obsolete outlet.
- Protect the power cord from being walked on or pinched particularly at plugs, convenience receptacles, and the point where they exit from the apparatus.
- Only use attachments/accessories specified by the manufacturer.
- Use only with the cart, stand, tripod, bracket, or table specified by the manufacturer, or sold with the apparatus. When a cart is used, use caution when moving the cart/apparatus combination to avoid injury from tip-over.
- Unplug this apparatus during lightning storms or when unused for long periods of time.
- Refer all servicing to qualified service personnel. Servicing is required when the apparatus has been damaged in any way, such as power-supply cord or plug is damaged, liquid has been spilled or objects have fallen into the apparatus, the apparatus has been exposed to rain or moisture, does not operate normally, or has been dropped.

The following FCC statement applies only to the version of this model manufactured for sale in the USA. Other versions may not comply with FCC technical regulations

NOTE:
This equipment has been tested and found to comply with the limits for a Class B digital device, pursuant to Part 15 of the FCC Rules. These limits are designed to provide reasonable protection against harmful interference in a residential installation. This equipment generates, uses and can radiate radio frequency energy and, if not installed and used in accordance with the instructions, may cause harmful interference to radio communications. However, there is no guarantee that interference will not occur in a particular installation. If this equipment does cause harmful interference to radio or television reception, which can be determined by turning the equipment off and on, the user is encouraged to try to correct the interference by one or more of the following measures:
- Reorient or relocate the receiving antenna.
- Increase the separation between the equipment and receiver.
- Connect the equipment into an outlet on a circuit different from that to which the receiver is connected.
- Consult the dealer or an experienced radio/TV technician for help.

This equipment complies with FCC radiation exposure limits set forth for an uncontrolled environment and meets the FCC radio frequency (RF) Exposure Guidelines in Supplement C to OET65. This equipment has very low levels of RF energy that it deemed to comply without maximum permissive exposure evaluation (MPE). But it is desirable that it should be installed and operated keeping the radiator at least 20 cm or more away from person's body (excluding extremities: hands, wrists, feet and ankles).

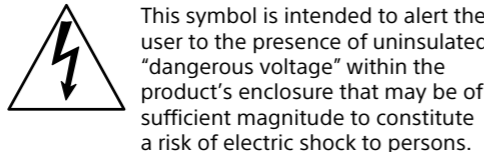
The following IC statement applies only to the version of this model manufactured for sale in Canada. Other versions may not comply with IC technical regulations

This equipment complies with IC radiation exposure limits set forth for an uncontrolled environment and meets RSS-102 of the IC radio frequency (RF) Exposure rules. This equipment has very low levels of RF energy that it deemed to comply without maximum permissive exposure evaluation (MPE). But it is desirable that it should be installed and operated keeping the radiator at least 20 cm or more away from person's body (excluding extremities: hands, wrists, feet and ankles).

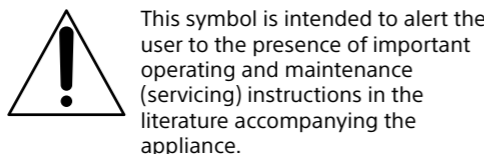
CAUTION

You are cautioned that any changes or modifications not expressly approved in this manual could void your authority to operate this equipment.

This equipment must not be co-located or operated in conjunction with any other antenna or transmitter.



This symbol is intended to alert the user to the presence of uninsulated "dangerous voltage" within the product's enclosure that may be of sufficient magnitude to constitute a risk of electric shock to persons.



This symbol is intended to alert the user to the presence of important operating and maintenance (servicing) instructions in the literature accompanying the appliance.

This graphical symbol is located on the bottom of the unit.

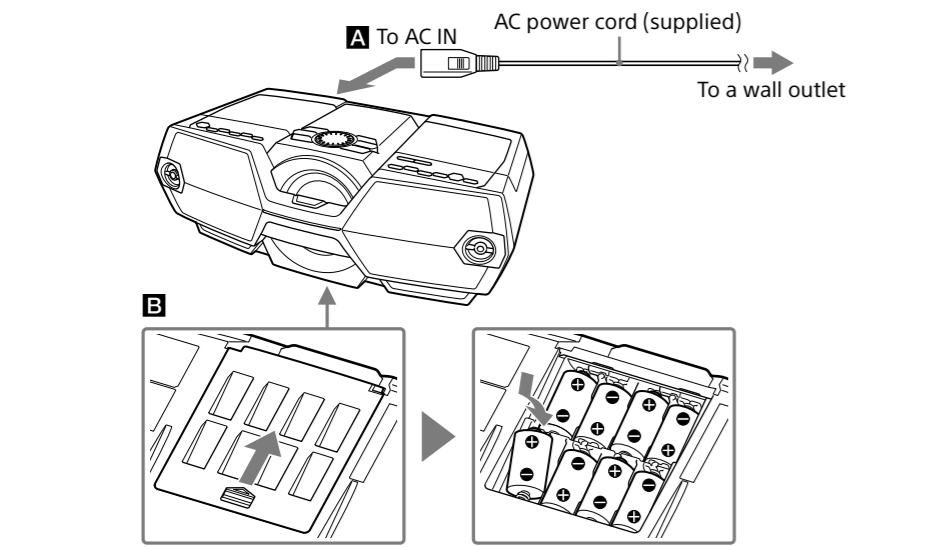
License and Trademark Notice

- MPEG Layer-3 audio coding technology and patents licensed from Fraunhofer IIS and Thomson.
- Windows Media is either a registered trademark or trademark of Microsoft Corporation in the United States and/or other countries.
- This product contains technology subject to certain intellectual property rights of Microsoft. Use or distribution of this technology outside of this product is prohibited without the appropriate license(s) from Microsoft.
- The BLUETOOTH® word mark and logos are owned by the Bluetooth SIG, Inc. and any use of such marks by Sony Corporation is under license.
- The N Mark is a trademark or registered trademark of NFC Forum, Inc. in the United States and in other countries.
- Android is a trademark of Google Inc.
- Other trademarks and trade names are those of their respective owners.

Power Sources

Using the AC power cord or batteries

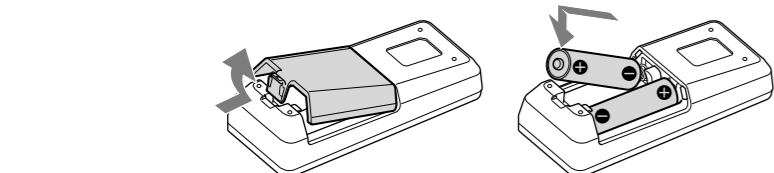
Connect the AC power cord [A], or insert eight R20 (size D) batteries (not supplied) into the battery compartment [B].



- Notes**
- Replace the batteries when the OPR/BATT indicator [13] dims, or when the unit becomes inoperable. Replace the batteries with new ones. Before you replace the batteries, be sure to remove any disc and disconnect any optional component from the unit.
 - To use the unit on batteries, disconnect the AC power cord from the unit and the wall outlet.
 - When you operate the unit on batteries, you cannot turn on the unit using the remote.

Preparing the remote

Insert two R6 (size AA) batteries (not supplied).

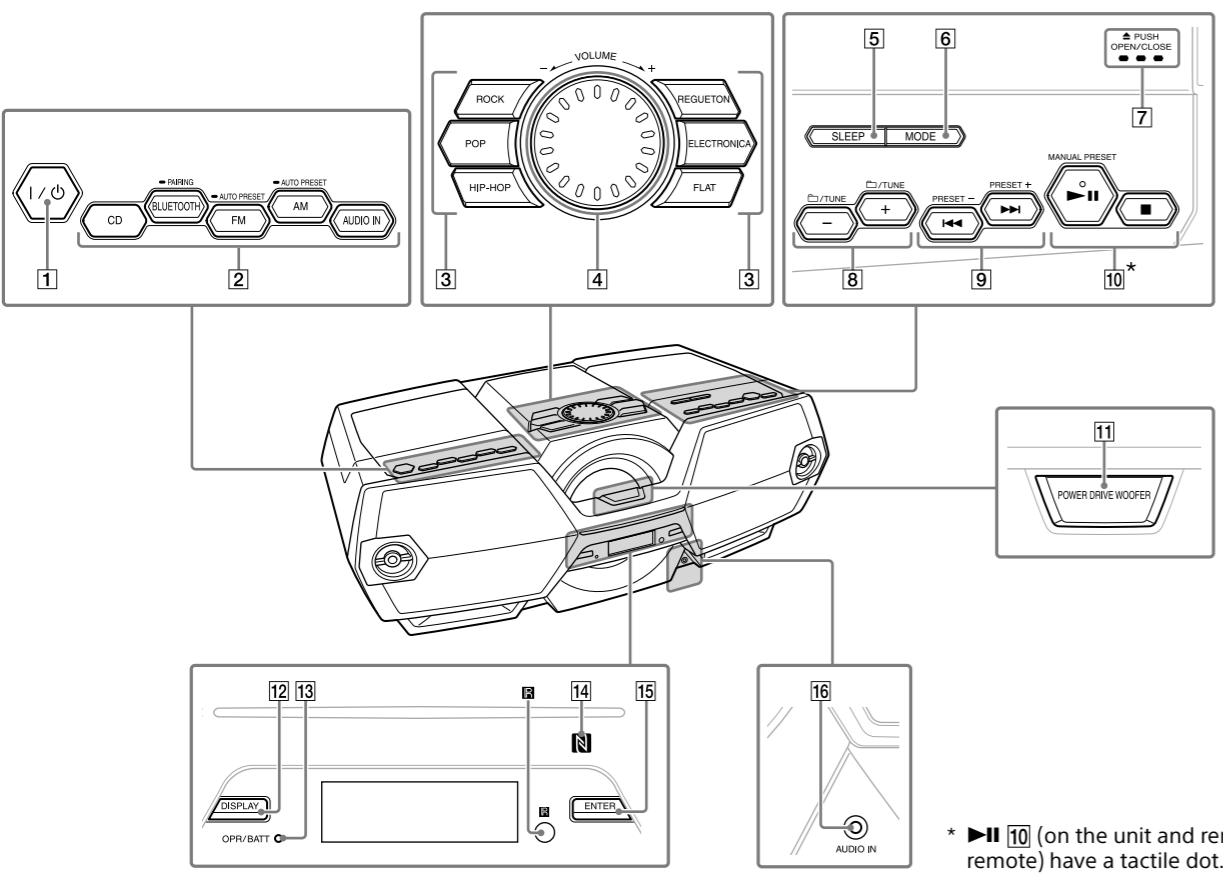


To replace batteries

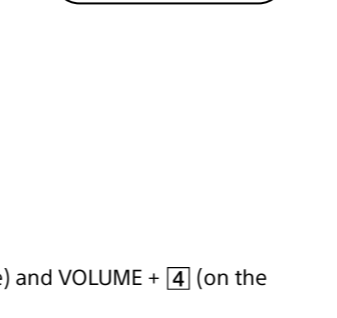
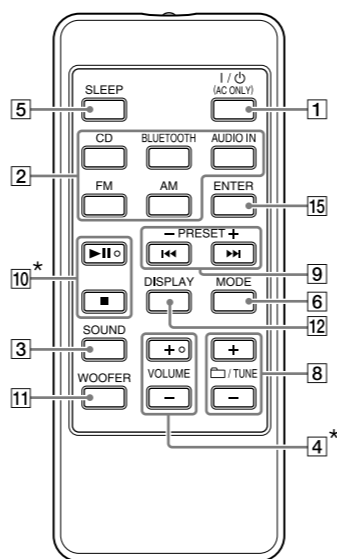
With normal use, the batteries should last for about 6 months. When the remote no longer operates the unit, replace both batteries with new ones.

Other Operations

Unit



Remote



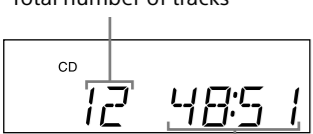
Using the display

You can check information about the currently playing audio file from the disc using the display.

Information about the total number of tracks and the playing time of an audio CD

After the CD is loaded and the reading process is completed, the total number of tracks and the total playing time are displayed.

Total number of tracks

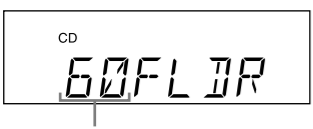


Total playing time

Information about the total number of folders on an MP3/WMA disc

After the MP3/WMA disc is loaded and the reading process is completed, the total number of folders is displayed. The total number of files and the total playing time are not displayed.

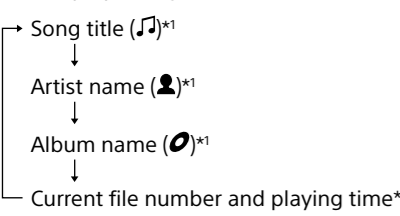
(Example: MP3 disc)



Total number of folders

To check MP3/WMA file information

Press DISPLAY **[12]** repeatedly while playing a disc. The display changes as follows:

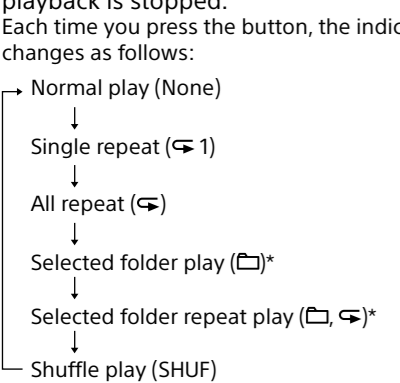


* If the file does not have corresponding ID3 information, the file name, "NO ARTIST," and "NO ALBUM" scroll.
* The artist name or album name will change to this in a few seconds.

Selecting play mode

You can set the unit to play tracks/files repeatedly or in random order on a disc.

Press MODE **[6]** repeatedly while a disc playback is stopped. Each time you press the button, the indication changes as follows:



* These functions are available only for MP3/WMA files on an MP3/WMA disc.

To repeat	Do this
A single track/MP3/WMA file	1 Press MODE [6] repeatedly until "☐" appears. 2 Press [Left] or [Right] to select an audio file that you want to repeat. 3 Press [Enter] [10] to start Repeat Play.
All tracks/MP3/WMA files	1 Press MODE [6] repeatedly until "☐" appears. 2 Press [Enter] [10] to start Repeat Play.
A selected folder on an MP3/WMA disc	1 Press MODE [6] repeatedly until "☐" (Folder) and "☐" appear. 2 Select the folder by pressing [Left] or [Right] . 3 Press [Enter] [10] to start Repeat Play.

Note

During Shuffle Play mode, you cannot select the previous track/file by pressing **[Left]** **[9]**, nor select a folder by pressing **[Left]** or **[Right]**.

Presetting radio stations

You can store radio stations in the unit's memory. You can preset up to 30 radio stations, 20 for FM and 10 for AM.

- Press FM – AUTO PRESET or AM – AUTO PRESET **[2]** to select the band.
- Hold down FM – AUTO PRESET or AM – AUTO PRESET **[2]** until "AUTO" flashes on the display.

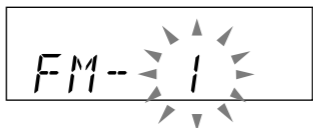


- Press ENTER **[10]** to store the station. The stations are stored in memory from lower frequencies to higher ones.

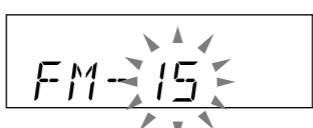
If a station cannot be preset automatically

You need to preset a station with a weak signal manually.

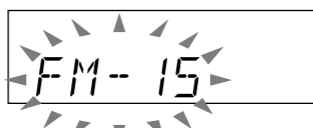
- Press FM – AUTO PRESET or AM – AUTO PRESET **[2]** to select the band.
- Tune to a station you want.
- Press MANUAL PRESET **[10]**. The band selected ("FM-xx" or "AM-xx") appears on the display.



- Press PRESET – or + **[9]** until the preset number you want for the station flashes on the display.



- Press ENTER **[10]** to store the station. If another station is already assigned to the selected preset number, that station is replaced by the new one.



Tip
The preset radio stations remain in the unit's memory even in the following situations.
– The AC power cord is unplugged.
– The batteries are removed.

Listening to the radio from preset radio stations

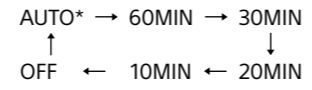
- Press FM – AUTO PRESET or AM – AUTO PRESET **[2]** to select the band.
- Press PRESET – or + **[9]** to select the radio station's stored preset number.

Setting the Sleep Timer

You can fall asleep while listening to the radio or music from the connected device using the sleep timer.

The unit turns off automatically after a preset duration.

- Play the music source you want.
- Press SLEEP **[5]** repeatedly to select the sleep time duration. Each time you press the button, the indication changes as follows:



* For the CD function, the unit turns off automatically when playback finishes or after 90 minutes. When using the BLUETOOTH, radio or AUDIO IN function, the unit turns off after 90 minutes.

The sleep time duration is displayed for a few seconds, then the display returns to the previous indication. When the setting becomes effective, the display will dim and the light sync function will turn off. When the preset time has passed, the unit turns off automatically.

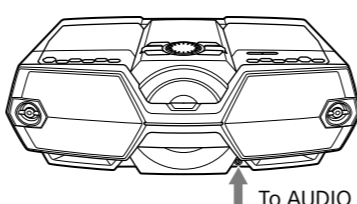
Note
Music playback on a device connected to the AUDIO IN jack **[16]** does not stop automatically. To stop playback on the connected device, operate the connected device.

To cancel the sleep function

Press SLEEP **[5]** repeatedly to select "OFF."

Connecting optional components

You can enjoy the sound from an optional component, such as a portable digital music player, through the speakers of this unit. Be sure to turn off the power of each component before making any connections. For details, refer to the instruction manual of the component to be connected.



To component (e.g., portable digital music player) Audio connection cable (not supplied)

- Connect the AUDIO IN jack **[16]** to the line output jack of the portable digital music player or other component, using an audio connection cable (not supplied).
- Turn the connected component on.
- Press AUDIO IN **[2]** and start playing sound on the connected component. The sound from the connected component is output from the speakers.

To connect the unit to a TV or VCR, use an extension cable (not supplied) with a stereo-mini jack on one end and two phono plugs on the other end.

Notes

- If connected to the monaural output jack of a digital music player, sound may not come through the right speaker of the unit.
- If connected to the line output jack of a digital music player, distortion may occur. If the sound is distorted, connect to the headphones jack of a digital music player instead.
- If connected to the headphones jack of a digital music player, increase the volume of the digital music player, and then adjust the volume of the unit.

Precautions

Discs that this unit CAN play

- Audio CD (CD-DA)* tracks
- CD-R/CD-RW that contains MP3/WMA files and is finalized** correctly.

* CD-DA is the abbreviation for Compact Disc Digital Audio. It is a recording standard used for audio CDs.

** Finalizing is the process to make the CD-R/CD-RW discs playable on the consumer disc player products, and the finalizing can be enabled or disabled as optional settings during disc creation in many recording software.

Discs that this unit CANNOT play

- CD-R/CD-RW other than those recorded in audio CD format or formats conforming to ISO 9660 Level 1/Level 2 or Joliet
- CD-R/CD-RW of poor recording quality, CD-R/CD-RW with scratches or that is dirty, or CD-R/CD-RW recorded using an incompatible recording device
- CD-R/CD-RW that is unfinalized or finalized incorrectly

Notes on discs

- Before playing, clean the CD with a cleaning cloth. Wipe the CD from the center out. If there are scratches, dirt or fingerprints on the CD, a tracking error may occur.
- Do not use solvents such as benzine, thinner, commercially available cleaners or anti-static spray intended for CD to direct sunlight or heat sources such as hot air ducts, or leave it in a car parked in direct sunlight as there can be a considerable rise in temperature inside the car.
- Do not stick paper or a sticker on the CD, or scratch the surface of the CD.
- After playing, store the CD in its case.

Note on DualDisc

- A DualDisc is a two sided disc product which mates DVD recorded material on one side with digital audio material on the other side. However, since the audio material side does not conform to the Compact Disc (CD) standard, playback on this product is not guaranteed.

Music discs encoded with copyright protection technologies

* This product is designed to playback discs that conform to the Compact Disc (CD) standard. Recently, various music discs encoded with copyright protection technologies are marketed by some record companies. Please be aware that among those discs, there are some that do not conform to the CD standard and may not be playable by this product.

On safety

- As the laser beam used in the CD player section is harmful to eyes, do not attempt to disassemble the casing. Refer servicing to qualified personnel only.
- Should any solid object or liquid fall into the unit, unplug the unit, and have it checked by qualified personnel before operating it any further.
- Discs with non-standard shapes (e.g., heart, square, star) cannot be played on this unit. Attempting to do so may damage the unit. Do not use such discs.

On power sources

- For AC operation, use the supplied AC power cord; do not use any other cord.
- Unplug the unit from the wall outlet if it is not to be used for an extended period of time.
- When not using the batteries, remove them to avoid damage that can be caused by battery leakage or corrosion.

On placement

- Do not leave the unit in a location near heat sources, in a place subject to direct sunlight, excessive dust or mechanical shock, or in a car subject to the direct rays of the sun.
- Do not place the unit on an inclined or unstable surface.
- Do not place anything within 10 mm (3/8 in) of the rear of the cabinet. The ventilation openings must be unobstructed for the unit to operate properly and prolong the life of its components.
- Since a strong magnet is used for the speakers, keep personal credit cards using magnetic coding or spring-wound watches away from the unit to prevent possible damage from the magnet.

On operation

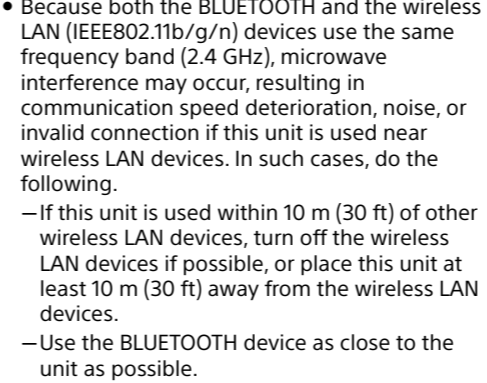
- Condensation may form on outer surfaces or internally, and cause the unit to malfunction if the unit is suddenly moved from a cold to a warm environment. If condensation forms, turn off the unit, and leave the unit off until the moisture evaporates. Do not use the unit until the condensation has fully evaporated.

On cleaning the cabinet

- Clean the cabinet, panel and controls using a soft cloth slightly moistened with a mild detergent solution. Do not use any type of abrasive pad, scouring powder, or solvent, such as alcohol or benzine.

On BLUETOOTH communication

- BLUETOOTH wireless technology operates within a range of about 10 meters (30 ft). The maximum communication range may vary depending on obstacles (human body, metal, wall, etc.) or the electromagnetic environment.
- The following conditions may affect the sensitivity of BLUETOOTH communication.
 - There is an obstacle such as a person, metal, or wall between this unit and the BLUETOOTH device used.
 - Devices or equipment such as wireless LAN devices, microwave oven, cordless telephone, etc., using a 2.4 GHz frequency band, are in use near the unit.
 - The unit is placed on a shelf made of steel.
- Because both the BLUETOOTH and the wireless LAN (IEEE802.11b/g/n) devices use the same frequency band (2.4 GHz), microwave interference may occur, resulting in communication speed deterioration, noise, or invalid connection if this unit is used near wireless LAN devices. In such cases, do the following.
 - If this unit is used within 10 m (30 ft) of other wireless LAN devices, turn off the wireless LAN devices if possible, or place this unit at least 10 m (30 ft) away from the wireless LAN devices.
 - Use the BLUETOOTH device as close to the unit as possible.
- Microwaves emitting from a BLUETOOTH device may affect the operation of electronic medical devices. Turn off the power on this unit and the BLUETOOTH device in the following locations, as they may cause an accident.
 - Where inflammable gas is present, in a hospital, train, airplane, or a petrol station
 - Near automatic doors or a fire alarm
- This unit supports security capabilities that comply with the BLUETOOTH standard to provide a secure connection when BLUETOOTH wireless technology is used, but security may be insufficient, depending on the setting. Be careful when communicating using BLUETOOTH wireless technology.
- Sony cannot accept any responsibility for leakage of information when using the BLUETOOTH function of this unit.
- Connection with all BLUETOOTH devices cannot be guaranteed.
 - BLUETOOTH devices used with this unit must conform to the BLUETOOTH standard specified by Bluetooth SIG, Inc., and must be certified to comply.
 - Even when the connected BLUETOOTH device conforms to the above mentioned BLUETOOTH standard, some devices may not be connected or work correctly, depending on the features or specifications of the device.
- Depending on the device to be connected, it may require some time to start communication.



- Optimal performance
- Limited performance
- The following conditions may affect the sensitivity of BLUETOOTH communication.
 - There is an obstacle such as a person, metal, or wall between this unit and the BLUETOOTH device used.
 - Devices or equipment such as wireless LAN devices, microwave oven, cordless telephone, etc., using a 2.4 GHz frequency band, are in use near the unit.
 - The unit is placed on a shelf made of steel.
- Because both the BLUETOOTH and the wireless LAN (IEEE802.11b/g/n) devices use the same frequency band (2.4 GHz), microwave interference may occur, resulting in communication speed deterioration, noise, or invalid connection if this unit is used near wireless LAN devices. In such cases, do the following.
 - If this unit is used within 10 m (30 ft) of other wireless LAN devices, turn off the wireless LAN devices if possible, or place this unit at least 10 m (30 ft) away from the wireless LAN devices.
 - Use the BLUETOOTH device as close to the unit as possible.
- Microwaves emitting from a BLUETOOTH device may affect the operation of electronic medical devices. Turn off the power on this unit and the BLUETOOTH device in the following locations, as they may cause an accident.
 - Where inflammable gas is present, in a hospital, train, airplane, or a petrol station
 - Near automatic doors or a fire alarm
- This unit supports security capabilities that comply with the BLUETOOTH standard to provide a secure connection when BLUETOOTH wireless technology is used, but security may be insufficient, depending on the setting. Be careful when communicating using BLUETOOTH wireless technology.
- Sony cannot accept any responsibility for leakage of information when using the BLUETOOTH function of this unit.
- Connection with all BLUETOOTH devices cannot be guaranteed.
 - BLUETOOTH devices used with this unit must conform to the BLUETOOTH standard specified by Bluetooth SIG, Inc., and must be certified to comply.
 - Even when the connected BLUETOOTH device conforms to the above mentioned BLUETOOTH standard, some devices may not be connected or work correctly, depending on the features or specifications of the device.
- Depending on the device to be connected, it may require some time to start communication.

If you have any questions or problems concerning your unit, consult your nearest Sony dealer.

Troubleshooting

General

"LIGHT SYNC DEMO MODE" appears on the display.

- With the unit turned on, set the automatic demonstration off by pressing MODE **[8]** until "DEMO MODE OFF" appears on the display.

The unit does not turn on when the AC power cord is connected.

- Make sure the AC power cord is connected to the wall outlet securely.

The unit does not turn on during battery operation.

- Make sure the batteries are inserted correctly.

There is no sound.

- Make sure the appropriate function is selected for the music or sound source you want to listen to.

The sound is noisy.

- Is someone using a mobile phone or other equipment emitting radio waves near the unit? If so, move the unit and the BLUETOOTH device away from such devices. Devices such as mobile phones, etc., can affect BLUETOOTH communication.

CD/MP3/WMA player

The CD player does not play or "NO DISC" is displayed even when a CD is in place.

- Place the CD with the label side up.
- Clean the CD.
- Take out the CD and leave the CD compartment open for about an hour to dry any condensation.
- The CD-R/CD-RW may be blank or unfinalized.
- There are no playable MP3/WMA files on the disc.
- There is a problem with the quality of the CD-R/CD-RW, recording device or application software.
- Replace all the batteries with new ones if they are exhausted.

The sound drops out (stops briefly).

- Reduce the volume.
- Clean the CD, or replace it if the CD is badly damaged.
- Place the unit in a location free from vibrations.
- Clean the audio laser lens with a commercially available blower.
- The sound may drop out or noise may be heard when using a poor quality CD-R/CD-RW or if there is a problem with the recording device or application software.

Starting playback takes more time than usual.

- The following discs take a longer time to start playback.
 - A disc recorded with a complicated tree structure.
 - A disc that has many folders or non-MP3/WMA files.

BLUETOOTH device

There is no sound.

- Make sure that this unit is not too far from the BLUETOOTH device (or smartphone), or that this unit is not receiving interference from a wireless LAN, another 2.4 GHz wireless device, or a microwave oven.
- Check that the BLUETOOTH connection was completed properly between this unit and the BLUETOOTH device (or smartphone).
- Perform pairing again (see "To pair with a BLUETOOTH device").
- Keep away from metal objects or surfaces.
- Make sure that the BLUETOOTH function is activated on the BLUETOOTH device (or smartphone).
- The sound skips or the correspondence distance is short.
 - If other equipment that generates electromagnetic radiation, such as a wireless LAN, other BLUETOOTH device(s), or a microwave oven is nearby, move the device and the unit away from such equipment if possible.
 - Remove any obstacle between this unit and the device or move the device and the unit away from the obstacle.
 - Locate this unit and the device as close to each other as possible.
 - Re-position this unit.
 - Re-position the BLUETOOTH device or smartphone.

A connection cannot be established.

- Perform pairing again (see "To pair with a BLUETOOTH device").
- Check that the BLUETOOTH device is compatible with this unit. For the latest information on compatible BLUETOOTH devices, check the information on the website listed is under "Compatible BLUETOOTH devices."
- Pairing fails.
 - Bring the BLUETOOTH device closer to the unit.
 - Delete the model name of this unit from the BLUETOOTH device and perform pairing again (see "To pair with a BLUETOOTH device").
 - Check that the BLUETOOTH device is compatible with this unit. For the latest information on compatible BLUETOOTH devices, check the information on the website listed is under "Compatible BLUETOOTH devices."

One-touch connection (NFC) is not possible.

- Check that the smartphone is compatible with this unit (see "Compatible smartphones").
- Check that the "NFC Easy Connect" app is displayed on the smartphone.
- Check that the NFC function of the smartphone is set to on.
- Turn on the unit and touch the smartphone on the N-marked part **[14]** again.
- Keep the smartphone close to the unit until the smartphone responds. If you fail, move the smartphone slightly on the N-marked part **[14]** of the unit.
- If the smartphone is in a case, remove it.
- NFC receiving sensitivity depends on the device. If you fail to connect with a smartphone by One touch several times, connect to the unit by on-screen operation.

Radio

The sound is weak or reception is poor quality.

- Replace all the batteries with new ones.
- Move the unit away from any nearby TV.
- For FM reception, extend the antenna to its full length, and reorient it for best FM reception. For AM reception, reorient the unit itself to find the best reception.

The TV picture is unstable.

- If you are listening to an FM program near a TV with an indoor antenna, move the unit away from the TV.

Remote

The remote does not function.

- Replace both batteries in the remote with new ones.
- Make sure that you are pointing the remote at the remote sensor on the unit.
- Remove any obstacles in the path of the remote and the unit.
- Make sure the remote sensor is not exposed to strong light such as direct sunlight or fluorescent lamp light.
- Move closer to the unit when using the remote.

After trying the suggested remedies, if the problem persists, unplug the AC power cord or remove all the batteries. After all the indications on the display disappear, plug in the AC power cord again, or re-insert the batteries. If the problem persists, consult your nearest Sony dealer.

Messages

NO BT: BLUETOOTH connection is not established.

NO DISC: There is no disc in the CD compartment.

NO TRACK: No playable tracks/files are on the disc.

NOT SUPPORT: An unsupported disc is in the CD compartment.

CANNOT PLAY: An unplayable disc is in the CD compartment. (Example: broken disc)

Specifications

AUDIO POWER SPECIFICATIONS POWER OUTPUT AND TOTAL HARMONIC DISTORTION

With 4.6-ohm loads, both channels driven from 200 Hz - 10,000 Hz; rated 3.5 W per channel-minimum RMS power, with no more than 10 % total harmonic distortion in AC operation.
Woofer with 4.6-ohm loads, driven from 50 Hz - 200 Hz; rated 12 W minimum RMS power, with no more than 10 % total harmonic distortion in AC operation.

CD player section

System
Compact disc digital audio system
Laser diode properties
Emission duration: Continuous
Laser output: Less than 44.6 µW
[This output is the value measurement at a distance of 200 mm from the objective lens surface on the optical pick-up block with 7 mm aperture.]
Number of channels
2
Frequency response
20 Hz - 20,000 Hz +1/-2 dB
Wow and flutter
Below measurable limit

BLUETOOTH section

Communication System
BLUETOOTH Specification Version 3.0
Modulation method
FHSS
Output
BLUETOOTH Specification Power Class 2
Maximum communication range
Line of sight approx. 10 m (30 ft)¹⁾
Frequency band
2.4 GHz band (2,400 GHz - 2,4835 GHz)
Supported BLUETOOTH Profiles²⁾
A2DP (Advanced Audio Distribution Profile)
AVRCP³⁾ (Audio/Video Remote Control Profile)
Supported codec⁴⁾
SBC (Subband Codec)
¹⁾ The actual range will vary depending on factors such as obstacles between devices, magnetic fields around a microwave oven, static electricity, reception sensitivity, aerial performance, operating system, application software, etc.
²⁾ BLUETOOTH standard profiles provide the specifications for BLUETOOTH communication between devices.
³⁾ Some operations may not be available depending on the device.
⁴⁾ Codec: Audio signal compression and conversion format

Radio section

Frequency range
FM: 87.5 MHz - 108 MHz
AM: 530 kHz - 1,710 kHz
Antenna
FM: Telescopic antenna
AM: Built-in ferrite bar antenna

Input

AUDIO IN
Stereo mini jack

General

Speaker
Full range: 10 cm (4 in) dia., 4.6 Ω, cone type (2)
Woofer: 13 cm (5 1/8 in) dia., 4.6 Ω, cone type (1)
Tweeter: 3.5 cm (1 3/8 in) dia. (2)
Power output
4 W + 4 W (at 4.6 Ω, 10% harmonic distortion)
Woofer:
12 W (at 4.6 Ω, 10% harmonic distortion)
Power requirements
For unit:
120 V AC, 60 Hz (AC power supply)
12 V DC (8 R20 (size D) batteries)
For remote control:
3 V DC, 2 R6 (size AA) batteries

Power consumption
AC 12 W
Battery Life¹⁾, ²⁾
CD playback
Approx. 20 hours
BLUETOOTH device playback
Approx. 22 hours
FM reception
Approx. 26 hours
¹⁾ Measured by Sony standards. The actual battery life may vary depending on the circumstances of the unit or operating conditions.
²⁾ When using Sony alkaline batteries

Dimensions
Approx. 600 mm × 210 mm × 355.5 mm (23 1/8 in × 8 3/8 in × 14 in) (W/H/D) (incl. projecting parts)

Mass
Approx. 8.0 kg (17 lb 10 oz) (incl. batteries)

Supplied accessories

AC power cord (1)
Remote control (1)

Design and specifications are subject to change without notice.

SONY LIMITED WARRANTY (U.S. Only)

Sony Electronics Inc. ("Sony") warrants this product against defects in material or workmanship for the time periods and as set forth below when purchased directly from Sony or a Sony Retailer. Pursuant to this Limited Warranty, Sony will, at its option, (i) repair the product using new or refurbished parts or (ii) replace the product with a new or refurbished product. For purposes of this Limited Warranty, "refurbished" means a product or part that has been returned to its original specifications. In the event of a defect, these are your exclusive remedies.

Labor: For a period of ninety (90) days from the original date of purchase of the product ("Labor Warranty"), Sony will, at its option, repair or replace with new or refurbished product, product determined to be defective. If Sony elects to replace the product after this Labor Warranty has expired but while the Parts Warranty below is still in effect, it will do so for the applicable labor charge.

Parts: For a period of one (1) year from the original date of purchase of product ("Parts Warranty"), Sony will supply new or refurbished replacement parts in exchange for parts determined to be defective.

This Limited Warranty covers only the hardware components packaged with the Product. It does not cover technical assistance for hardware or software usage and it does not cover any software products whether or not contained in the Product; any such software is provided "AS IS" unless expressly provided for in any enclosed software Limited Warranty. Please refer to the End User License Agreements included with the Product for your rights and obligations with respect to the software.

Instructions: To obtain warranty service, you must deliver the product, freight prepaid, in either its original packaging or packaging affording an equal degree of protection to the Sony authorized service facility specified. It is your responsibility to backup any data, software or other materials you may have stored or preserved on your unit. It is likely that such data, software, or other materials will be lost or reformatted during service and Sony will not be responsible for any such damage or loss. A dated purchase receipt from Sony or a Sony Retailer is required. For specific instructions on how to obtain warranty service for your product,

Visit Sony's Web Site:
www.sony.com/support
Or call the Sony Customer Information Service Center
1-800-222-SONY (7669)
For an accessory or part not available from your authorized dealer, call:
1-800-488-SONY (7669)

Repair / Replacement Warranty: This Limited Warranty shall apply to any repair, replacement part or replacement product for the remainder of the original Limited Warranty period or for ninety (90) days, whichever is longer. Any parts or product replaced under this Limited Warranty will become the property of Sony.

This Limited Warranty only covers product

Free Manuals Download Website

<http://myh66.com>

<http://usermanuals.us>

<http://www.somanuals.com>

<http://www.4manuals.cc>

<http://www.manual-lib.com>

<http://www.404manual.com>

<http://www.luxmanual.com>

<http://aubethermostatmanual.com>

Golf course search by state

<http://golfingnear.com>

Email search by domain

<http://emailbydomain.com>

Auto manuals search

<http://auto.somanuals.com>

TV manuals search

<http://tv.somanuals.com>