

SONY®

EIA/NTSC

Mini Fixed Dome Cameras

SSC-MD53V/CD53V SSC-MD33V/CD33V



SSC-MD53V/CD53V



SSC-MD33V/CD33V

Sony is proud to introduce the SSC-MD53V, SSC-CD53V, SSC-MD33V, SSC-CD33V - four mini dome cameras to its extensive range of surveillance video cameras.

More discreet than non-dome security cameras, the mini dome cameras are ideal for surveillance sites where cameras are less noticeable such as building entrances, retail stores, shopping malls, etc. In addition to the discreetness, Sony's original sleek triangular design of the cameras fits smartly into a wide variety of surveillance sites.

To accommodate user requirements, Sony provides a choice of four models, which differ in the body strength (rugged/normal) and signal system (EIA/NTSC). The rugged models, SSC-MD53V and SSC-CD53V, are not only built to withstand high impacts, but are also rated IP66, making them suitable for use in outdoor environments. The SSC-MD33V and the SSC-CD33V, on the other hand, are normal domes for use indoors in CCTV applications.

All four models are equipped with auto iris vari-focal lenses, with a focal length of 2.8 to 5.8 mm to cover a broader range of viewing choices. Moreover, incorporating 1/4" type Super HAD CCD™ offers exceptionally high resolution of 570 TV lines (B/W) or 480 TV lines (color) and excellent sensitivity. All the models can use either DC 12 V and AC 24 V and can automatically switch to either of the two modes upon supplying power.

F E A T U R E S

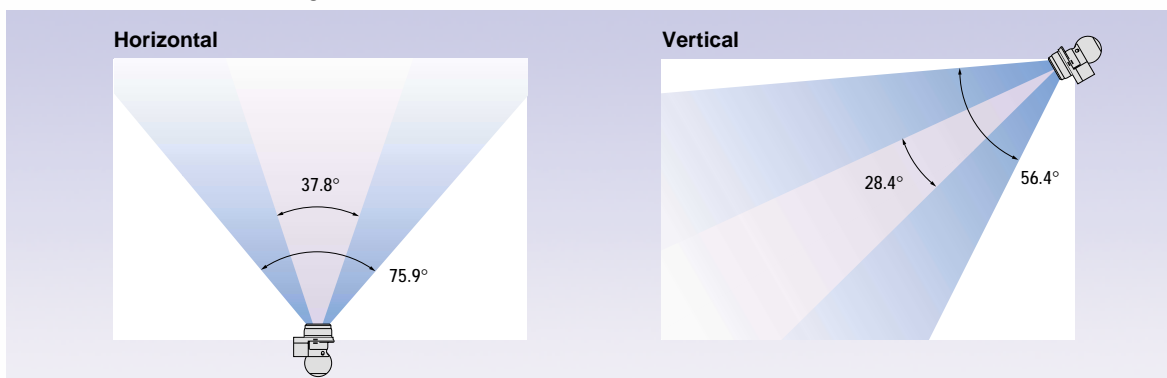
Rugged Design (SSC-MD53V and SSC-CD53V only)

The SSC-MD53V and SSC-CD53V are equipped with heavy duty aluminum diecast enclosures, with a durable polycarbonate viewing window, and comply with IP66 standard. The entire camera enclosure is durable enough to withstand strong impacts from outside. As a further deterrence to tempering, anti-theft screws are utilized.

Built-in auto iris vari-focal lens

The focal length of the vari-focal lens is 2.8 to 5.8 mm, approximately 2x zoom. The large angle of view range: 75.9° to 37.8° (H), 56.4° to 28.4° (V) covers a wide range of viewing areas.

■ Vari-focal lens, wide angle of view



High picture quality

The 1/4" type Super HAD CCD allows the camera to achieve a horizontal resolution of over 570 TV lines (B/W) or 480 TV lines (Color) and excellent sensitivity of 0.4 lx (B/W) or 2.0 lx (Color) (AGC On, F1.4, 50 IRE, clear cover).

AC 24 V/DC 12 V Operation

Either of AC 24 V 60Hz, or DC 12 V is selected automatically for proper operation.

Easy mounting and installation

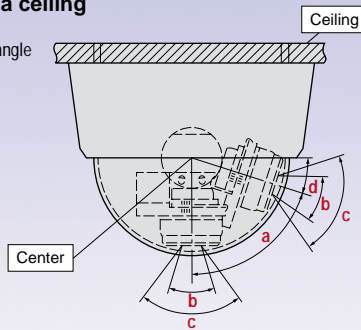
Incorporated lens allows for easy picture adjustment after installation. The position of the vari-focal lens can be freely rotated 360° horizontally allowing for easy changes in the viewing area after installation. The camera employs a Sony unique "lens adjustment screw".



■ Adjustment range of lens angle

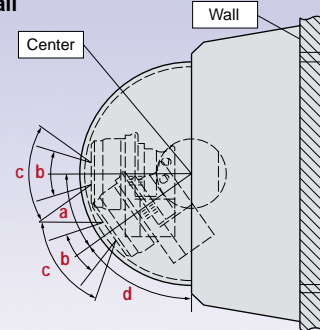
Mounting the camera on a ceiling

- a. Approx. 70°: Range of adjusted angle
- b. 28.4°: View angle (Tele)
- c. 56.4°: View angle (Wide)
- d. Approx. 20°: Maximum angle



Mounting the camera on a wall

- a. Approx. 35°: Range of adjusted angle (Toward ground)
- Approx. 70°: Range of adjusted angle (Toward ceiling)
- b. 28.4°: View angle (Tele)
- c. 56.4°: View angle (Wide)
- d. Approx. 55°: Maximum angle (Toward ground)
- Approx. 20°: Maximum angle (Toward ceiling)



External sync line lock (for AC only)

These cameras feature AC line lock for external synchronization. Using the AC power frequency (60 Hz) as the vertical sync reference provides roll-free switching in multi-camera installations. These cameras also have an externally adjustable Vertical Phase ($\pm 90^\circ$) control, so that proper synchronization can be attained.

AGC/Turbo AGC™

AGC function boosts camera's video gain so that the subject under low illumination can be distinguished more clearly. Turbo AGC (up to 24 dB)/Normal AGC (up to 18 dB) switchable.

BLC ON/OFF

Center weighted backlight compensation is offered to make the subject more easily visible under strong backlight conditions.

Wide range ATW

The white balance automatically adjusts in response to varying light conditions, resulting in pictures with an appropriate color balance.

ATW color range: 2200 K to 10000 K

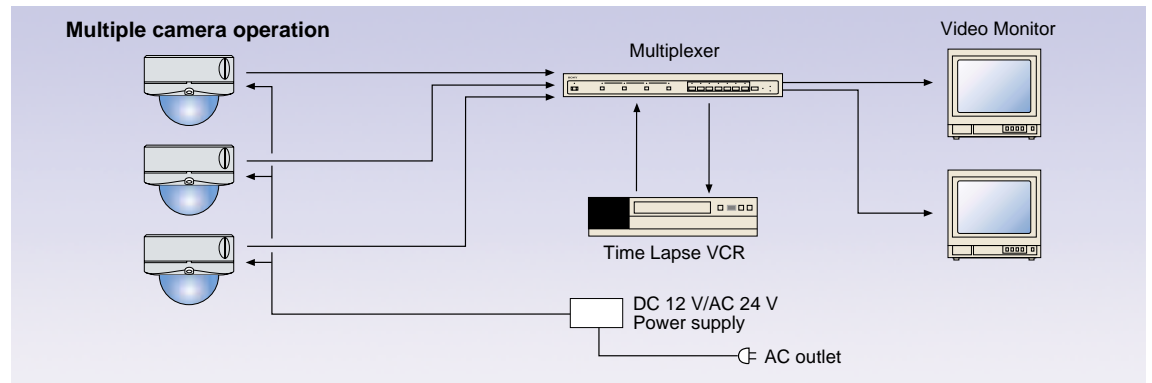


Ceiling Flush Mount (Normal model) *Optional In-ceiling bracket is required.



Ceiling Surface Mount (Normal model)

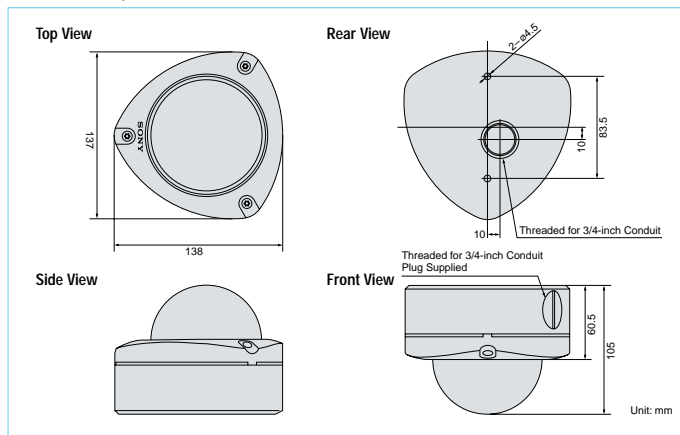
Typical System



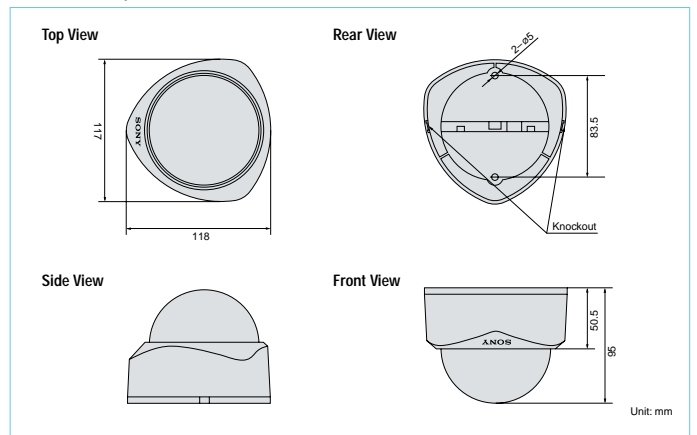
Specifications

	Rugged Type		Normal Type	
	SSC-MD53V	SSC-CD53V	SSC-MD33V	SSC-CD33V
Model name	SSC-MD53V	SSC-CD53V	SSC-MD33V	SSC-CD33V
Signal system	EIA	NTSC	EIA	NTSC
Image device	1/4" type IT CCD			
Picture elements	768 (H) x 494 (V)			
Horizontal resolution	570 TV lines	480 TV lines	570 TV lines	480 TV lines
S/N ratio	More than 50 dB (AGC Off, Weight On)			
Minimum illumination	0.2 lx (AGC On, F1.4, 30 IRE, clear cover) 0.4 lx (AGC On, F1.4, 50 IRE, clear cover)	1.2 lx (AGC On, F1.4, 30 IRE, clear cover) 2.0 lx (AGC On, F1.4, 50 IRE, clear cover)	0.2 lx (AGC On, F1.4, 30 IRE, clear cover) 0.4 lx (AGC On, F1.4, 50 IRE, clear cover)	1.2 lx (AGC On, F1.4, 30 IRE, clear cover) 2.0 lx (AGC On, F1.4, 50 IRE, clear cover)
AGC	Turbo AGC (up to 24 dB)/Normal AGC (up to 18 dB), switchable			
Iris control mode	Auto Iris Lens			
White balance	-	ATW	-	ATW
Backlight compensation (BLC)	On (Centre measured)/Off switchable			
Video output signal	VS (1 Vp-p, 75 Ω, BNC)	VBS (1 Vp-p, 75 Ω, BNC)	VS (1 Vp-p, 75 Ω, BNC)	VBS (1 Vp-p, 75 Ω, BNC)
Rain proof	IP66		-	
Dimension	Base approx. 5 1/2 (W) x 4 1/4 (H) x 5 1/2 (D) inches 137 (W) x 105 (H) x 138 (D) mm Bubble approx. 3 5/8 inches (91 (ø) mm)		Base approx. 4 5/8 (W) x 4 3/4 (H) x 3 3/4 (D) inches (117 (W) x 95 (H) x 118 (D) mm) Bubble approx. 3 5/8 inches (91 (ø) mm)	
Weight	Approx. 1 lb 14 oz (870 g)		Approx. 11 oz (320 g)	
Built-in lens	Vari-focal lens f-2.8 to 5.8, from F1.4 Auto iris			
View angle	W95.7° (D), 75.9° (H), 56.4° (V) 147.3° (D), 37.8° (H), 28.4° (V)			
Input voltage	AC 24 V/ 60Hz DC 12 V			
Synchronization system	Internal or Line lock (for AC 24 V), 60Hz			
Power consumption	2.3 W	3.5 W	2.3 W	3.5 W
Operating temperature	-4°F to 122°F (-20°C to 50°C)			
Relative operating humidity	20 % to 80 % (non condensing)			
Optional accessories	YT-LDC53V Clear dome cover for SSC-MD53V, SSC-CD53V YT-LDC33V Clear dome cover for SSC-MD33V, SSC-CD33V YT-ICB53V In-ceiling bracket for SSC-MD53V, SSC-CD53V YT-ICB33V In-ceiling bracket for SSC-MD33V, SSC-CD33V			

SSC-MD53V, SSC-CD53V



SSC-MD33V, SSC-CD33V



SONY

Sony Security Systems
Broadcast and Professional Company
One Sony Drive
Park Ridge, NJ 07656-8003
Tel: (201) 358-4954
Fax: (201) 358-4927
www.sony.com/security

S-MINIDOME
Printed in U.S.A.

© 2001 Sony Corporation. All rights reserved.
Reproduction in whole or in part without written permission is prohibited.
Features and specifications are subject to change without notice.
All non-metric weights and measures are approximate.
Super HAD CCD and Turbo AGC are trademarks of Sony Corporation. Sony is a registered trademark of Sony Corporation.
All other trademarks are the property of their respective owners.



Free Manuals Download Website

<http://myh66.com>

<http://usermanuals.us>

<http://www.somanuals.com>

<http://www.4manuals.cc>

<http://www.manual-lib.com>

<http://www.404manual.com>

<http://www.luxmanual.com>

<http://aubethermostatmanual.com>

Golf course search by state

<http://golfingnear.com>

Email search by domain

<http://emailbydomain.com>

Auto manuals search

<http://auto.somanuals.com>

TV manuals search

<http://tv.somanuals.com>