

Digital Videocassette Recorder

Operating Instructions page 1^{EN}

EN

Before operating the unit, please read this manual thoroughly and retain it for future reference.

Mode d'emploi page 1^F

F

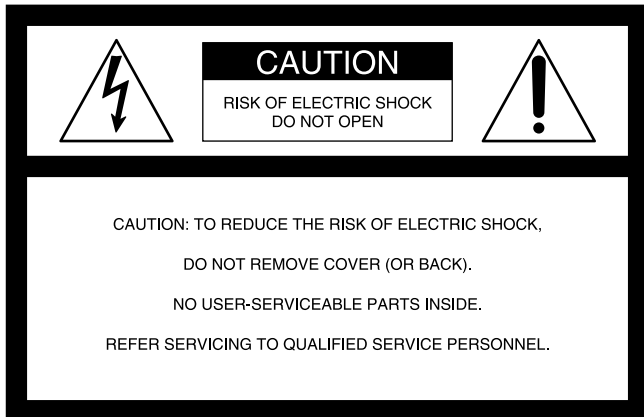
Avant la mise en service de cet appareil, prière de lire attentivement ce mode d'emploi que l'on conservera pour toute référence ultérieure.



DSR-20/20P

WARNING

To prevent fire or shock hazard, do not expose the unit to rain or moisture.



This symbol is intended to alert the user to the presence of uninsulated "dangerous voltage" within the product's enclosure that may be of sufficient magnitude to constitute a risk of electric shock to persons.



This symbol is intended to alert the user to the presence of important operating and maintenance (servicing) instructions in the literature accompanying the appliance.

For the Customers in the U.S.A.

Note:

This equipment has been tested and found to comply with the limits for a Class B digital device, pursuant to Part 15 of the FCC Rules. These limits are designed to provide reasonable protection against harmful interference in a residential installation. This equipment generates, uses, and can radiate radio frequency energy and, if not installed and used in accordance with the instructions, may cause harmful interference to radio communications. However, there is no guarantee that interference will not occur in a particular installation. If this equipment does cause harmful interference to radio or television reception, which can be determined by turning the equipment off and on, the user is encouraged to try to correct the interference by one or more of the following measures:

- Reorient or relocate the receiving antenna.
- Increase the separation between the equipment and receiver.
- Connect the equipment into an outlet on a circuit different from that to which the receiver is connected.
- Consult the dealer or an experienced radio/TV technician for help.

The shielded interface cable recommended in this manual must be used with this equipment in order to comply with the limits for a digital device pursuant to Subpart B of Part 15 of FCC Rules.

Precautions

Safety

- Operate the unit only on 120 V AC, 60 Hz .
- If anything falls into the cabinet, unplug the unit and have it checked by qualified personnel before operating it any further.
- Unplug the unit from the wall outlet if you do not intend to use it for an extended period of time. To disconnect the cord, pull it out by the plug, never by the cord.

Installing

- Allow adequate air circulation to prevent internal heat buildup.
- Do not place the unit on surfaces (rugs, blankets, etc.) or near materials (curtains, draperies) that may block the ventilation slots.
- Do not install the unit near heat sources such as radiators or air ducts, or in a place subject to direct sunlight, excessive dust, mechanical vibration or shock.
- Do not install the unit in an inclined position. It is designed to be operated in a horizontal position only.
- The unit is not designed for portable use. Install it properly on a flat stable place. Placing it on its side or on a surface slanted more than 30 degrees may cause damage.
- Keep the unit and cassettes away from equipment with strong magnets, such as microwave ovens or large loudspeakers.
- Do not place heavy objects on the unit.
- If the unit is brought directly from a cold to a warm location, moisture may condense inside the VCR and cause damage to the video head and tape. When you first install the unit, or when you move it from a cold to a warm location, wait for about one hour before operating the unit.

Information

Compatible color systems

The DSR-20 is designed to record and play back using the NTSC color system. Recording of video sources based on other color systems cannot be guaranteed.

Caution

Television programs, films, video tapes and other materials may be copyrighted. Unauthorized recording of such material may be contrary to the provisions of the copyright laws. Also, use of this recorder with cable television transmission may require authorization from the cable television transmission and/or program owner.

Owner's record

The model number is located at the rear and front of the unit and the serial number on the top. Record the serial number in the space provided below. Refer to these numbers whenever you call upon your Sony dealer regarding this product.

Model No. DSR-20 Serial No. _____

For DSR-20P

WARNING

To prevent fire or shock hazard, do not expose the unit to rain or moisture.

To avoid electrical shock, do not open the cabinet. Refer servicing to qualified personnel only.

For the customers in Europe

This product with the CE marking complies with both the EMC Directive (89/336/EEC) and the Low Voltage Directive (73/23/EEC) issued by the Commission of the European Community.

Compliance with these directives implies conformity to the following European standards:

- EN60065: Product Safety
- EN55103-1: Electromagnetic Interference (Emission)
- EN55103-2: Electromagnetic Susceptibility (Immunity)

This product is intended for use in the following Electromagnetic Environment(s):

E1 (residential), E2 (commercial and light industrial), E3 (urban outdoors) and E4 (controlled EMC environment, ex. TV studio).

Precautions

Safety

- This unit operates on 220 – 240 V AC, 50 Hz. Check that the unit's operating voltage is identical with your local power supply.
- If anything falls into the cabinet, unplug the unit and have it checked by qualified personnel before operating it any further.
- The unit is not disconnected from the mains as long as it is connected to the mains outlet, even if the unit itself has been turned off.
- Unplug the unit from the wall outlet if you do not intend to use it for an extended period of time. To disconnect the cord, pull it out by the plug, never by the cord.

Installing

- This unit is equipped with a fan at the rear. Do not insert objects nor touch the fan during operation.
- To prevent internal heat buildup, install the unit at least 5 cm away from the wall, and dust the unit periodically.
- Do not place the unit on surfaces (rugs, blankets, etc.) or near materials (curtains, draperies) that may block the ventilation slots.
- Do not install the unit near heat sources such as radiators or air ducts, or in a place subject to direct sunlight, excessive dust, mechanical vibration or shock.
- The unit is not designed for portable use. Install it properly on a flat stable place. Placing it on its side or on a surface slanted more than 30 degrees may cause damage.
- Keep the unit and cassettes away from equipment with strong magnets, such as microwave ovens or large loudspeakers.
- Do not place heavy objects on the unit.
- If the unit is brought directly from a cold to a warm location, moisture may condense inside the VCR and cause damage to the video head and tape. When you first install the unit, or when you move it from a cold to a warm location, wait for one to two hours before operating the unit.

Caution

Television programmes, films, video tapes and other materials may be copyrighted. Unauthorised recording of such material may be contrary to the provisions of the copyright laws. Also, use of this recorder with cable television transmission may require authorisation from the cable television transmitter and/or programme owner.

Compatible colour systems

The DSR-20P is designed to record and play back using the PAL colour system. Recording of video sources based on other colour systems cannot be guaranteed.

For the customers in the Netherlands Voor de klanten in Nederland



Bij dit produkt zijn batterijen geleverd. Wanneer deze leeg zijn, moet u ze niet weggooien maar inleveren als KCA.

Table of Contents

Chapter 1

Overview

Features	2
Notes on Video Cassettes	4
Notes on Recording / Playback	5
Location and Function of Parts	6

Chapter 2

Playback and Recording

Playback	14
Connections for Playback	14
Settings for Playback	16
Playback Procedure	17
Playback Functions	18
Recording	25
Connections for Recording	25
Settings for Recording	27
Recording Procedure	29
Connecting Other Equipment	33

Chapter 3

Menu Settings

Changing Menu Settings	34
Changing the SET UP MENU Settings	34
Menu Contents	35

Chapter 4

Maintenance and Troubleshooting

Alarm Messages	36
Notes on Use	37

Appendix

Specifications	40
Compatibility of DVCAM and DV Format	41
Glossary	43
Index	44

EN

The DSR-20/20P is a 1/4-inch digital video cassette recorder that uses the DVCAM digital recording format. This system achieves stable, superb picture quality by digitally processing video signals that are separated into color difference signals and luminance signals (component video).

The unit is equipped with a full-fledged analog interface to support hybrid systems that combine conventional analog equipment with digital equipment.

The DSR-20/20P's main features are described below.

DVCAM Format

DVCAM is based on the consumer DV format, which uses the 4:1:1 component digital format, and provides a 1/4-inch digital recording format for professional use.

High picture quality, high stability

Video signals are separated into color difference signals and luminance signals, which are encoded and compressed to one-fifth size before being recorded to ensure stable and superb picture quality.

Because the recording is digital, multi-generation dubbing can be performed with virtually no deterioration of quality.

Wide track pitch

The recording track pitch is 15 μm , fully 50 percent wider than the DV format's 10- μm track pitch. Thanks to this feature, the DVCAM format sufficiently meets the reliability and precision requirements of professional editing.

High-quality PCM digital audio

PCM recording makes for a wide dynamic range and a high signal-to-noise ratio, thereby enhancing sound quality.

There are two recording modes: 2-channel mode (48-kHz sampling and 16-bit quantization), which offers sound quality equivalent to the DAT (Digital Audio Tape) format, or 4-channel mode (32-kHz sampling and 12-bit quantization).

Playback compatibility with DV format

A DV cassette recorded on a DV-format VCR can be played back on this unit. (Cassettes recorded in LP mode cannot be played back.)

Choice of two cassette sizes

The unit can use both standard-size and mini-size DVCAM cassettes.

- According to cassette size, it automatically changes the position of the reel drive plate.
- The maximum recording/playback times are 184 minutes for standard size cassettes and 40 minutes for mini-size cassettes.

Other Features

Compact size

The unit achieves compact size suitable for using on a demonstration or a bridal. The unit is also equipped with basic functions that are needed for videocassette recorders and players used in professional digital video editing systems.

DC IN connector

The unit is equipped with the DC IN connector to use in the case that the AC power is not available.

Menu system for functionality and operation settings

The unit provides a menu system to make its various functions easier to use and set up its operation conditions.

Superimposition function

Time code, operation mode indications, menus, error messages, and other text data can be superimposed and output in analog composite video signals.

Remote control

The unit can be operated by remote control from an editing controller that supports the RS-232C interface or from a SIRCS¹⁾-system remote controller such as the optional DSRM-10 or SVRM-100A.

1) SIRCS

SIRCS-system has the same function as CONTROL S-system.

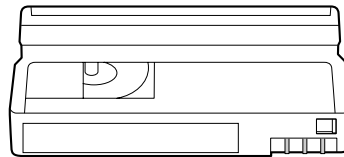
Features

Notes on Video Cassettes

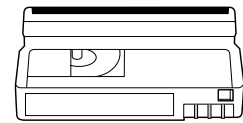
Usable cassettes

Use Standard-DVCAM cassettes or Mini-DVCAM cassettes with this VCR. PDV-184ME can record programs for 184 minutes and PDVM-40ME can record for 40 minutes.

You can get the highest quality pictures with this digital video cassette recorder using DVCAM cassettes. You may not be able to get as good quality with other cassettes. We recommend using DVCAM cassettes so that you can record your one-time events in highest quality.



DVCAM cassette



Mini DVCAM cassette

Cassette memory

Cassette memory is an optional feature that is mounted on some Standard DVCAM cassettes and Mini DVCAM cassettes. When you record a program, the recording date and time, and the programs' position on the tape are stored in the cassette memory so that you can quickly locate the program later on. **CI/16K** indicates that you can use the cassettes 16 kbits of data can be stored on. On this VCR, you can use the cassettes up to 16 kbits of data can be mounted on.

To save a recording

To prevent accidental erasure of a recording, slide in the safety switch on the cassette so that the red portion becomes visible. To record on a tape, slide out the switch so that the red portion is hidden.

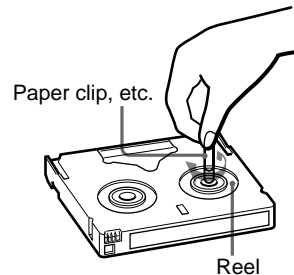


Note

DVCAM[™], **DV**, **Mini DV** and **CI/16K** are trademarks.

Checking the tape for slack

Using a paper clip or a similar object, turn the reel gently in the direction shown by the arrow. If the reel does not move, there is no slack. Insert the cassette into the cassette compartment, and after about 10 seconds take it out.



Notes on Recording / Playing

Copyright precautions

On recording

You cannot record any software having copyright protection signals on this VCR. If you start recording protected video and audio signals, a warning message appears on the monitor screen and the VCR stops recording.

On playback

When you play back software having copyright protection signals on this VCR, you may not be able to copy it onto other equipment.

Limitations caused by the difference in format

This VCR can record, play back and edit the tapes recorded in DVCAM format. It can also play back the tapes recorded in DV format (SP mode). However, due to the difference in format, you may not be able to record or edit some tapes affected by recording conditions of the tape (e.g., A tape originally recorded in DV format is dubbed in DVCAM format). For details, refer to "Compatibility of DVCAM and DV format" on page 41.

No compensation for contents of the recording

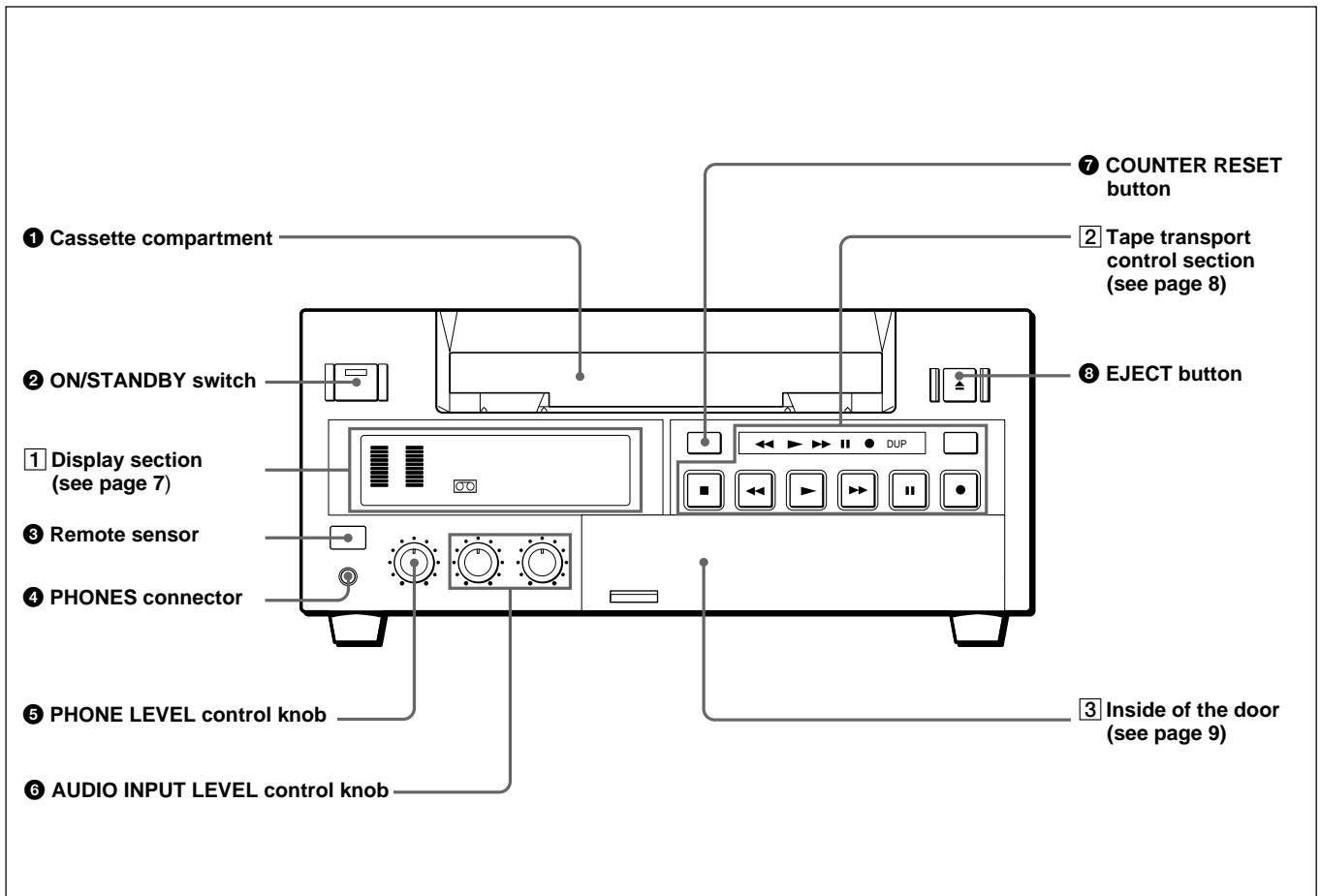
Contents of the recording cannot be compensated for if recording or playback is not made due to a malfunction of the VCR, video tape, etc.

Note

You cannot play back a DVCAM tape recorded in other color systems on this VCR.

Location and Function of Parts

Front Panel



1 Cassette compartment

Accepts standard-size or mini-size DVCAM digital videocassettes. When using a mini-size cassette, insert it into the middle of the compartment.

For details of usable cassettes, see page 4.

2 ON/STANDBY switch

3 Remote sensor

4 PHONES connector (stereo minijack)

Connect stereo headphones for headphone monitoring during recording or playback.

The audio signal you want to monitor can be selected with the AUDIO MONITOR switch inside of the door (3).

5 PHONE LEVEL control knob

Controls the volume of the headphones connected to the PHONES connector.

6 AUDIO INPUT LEVEL control knobs

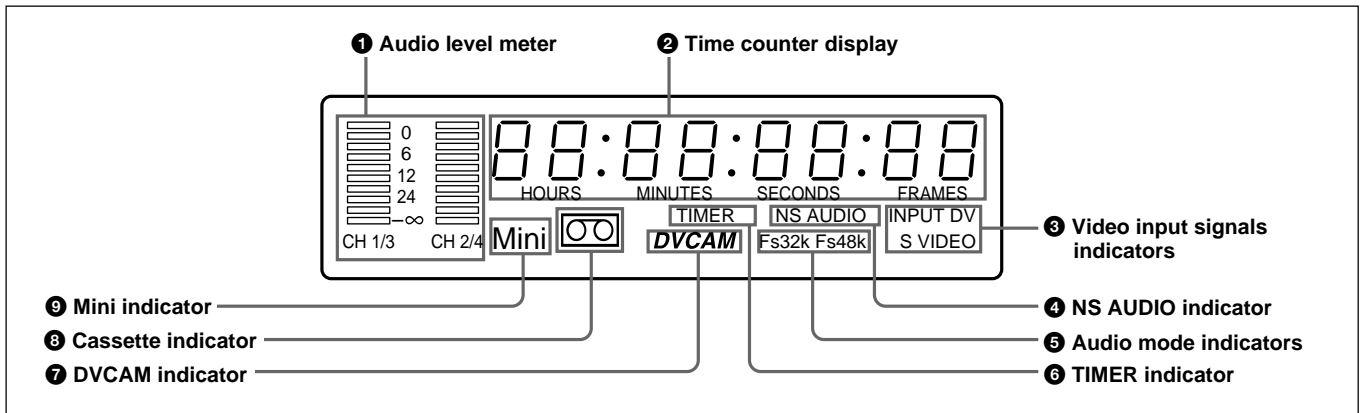
When recording, you can use these knobs to set audio input levels for CH-1 (channel 1) and CH-2, respectively.

7 COUNTER RESET button

Press this button to reset the tape counter in the display window to "0:00:00 (0H00M00s)". This button does not work when displaying the time code or the remaining time.

8 EJECT button

1 Display section



1 Audio level meter

Indicates the recording level during recording or EE mode¹⁾ and the playback level during playback. When the audio level exceeds 0 dB, the red indicator lights.

Note

If you play back the tape whose audio was only recorded on channel 2, the audio level meter for CH2/4 may not function.

2 Time counter display

Indicates the following:

- Time data: count value of the time counter, time code and remaining time
- Alarm messages (*see page 36*)
- Messages for self-diagnosis function (*see page 39*)

Notes

- For DSR-20P: Time code is set to the non drop frame mode only.
- Time code is indicated as follows:
Drop frame: “00:00.00:00” (“00:00,00:00” on the monitor) (DSR-20 only)
Non drop frame: “00:00:00:00”

3 Video input signals indicators

Indicates the currently selected video input signals. INPUT VIDEO, INPUT S VIDEO or INPUT DV lights.

4 NS AUDIO indicator

Lights when the VCR plays back a tape whose audio recording was made in the unlock mode, or when unlock mode signals are input through the DV terminals.
For details of unlock mode, see page 41.

5 Audio mode indicators

Indicates the audio mode during playback or recording or while in EE mode.

- During playback it indicates the audio mode in which the tape was recorded.
- During recording or while in EE mode, it indicates the currently selected audio recording mode. You can select audio recording mode by setting “AUDIO MODE” menu (*see page 34*).

Fs32k: Lights when playing the tapes recorded in 4-channel mode, or recording a tape in 4-channel mode.

Fs48k: Lights when playing the tapes recorded in 2-channel mode, or recording a tape in 2-channel mode.

Note

When recording in 4-channel mode on this VCR, audio signals are recorded only in channels 1/2.

6 TIMER indicator

Lights when setting the TIMER switch to REPEAT or REC.

7 DVCAM indicator

Lights when using the DVCAM-formatted tapes or recording a tape on DVCAM format.

1) EE mode

“EE” stands for “Electric to Electric”. When in this mode, the video and audio signals that are input to the VCR’s recording circuitry do not pass through any magnetic conversion circuits but instead are output via electric circuits only. This mode is used to check input signals and adjust input levels.

Location and Function of Parts

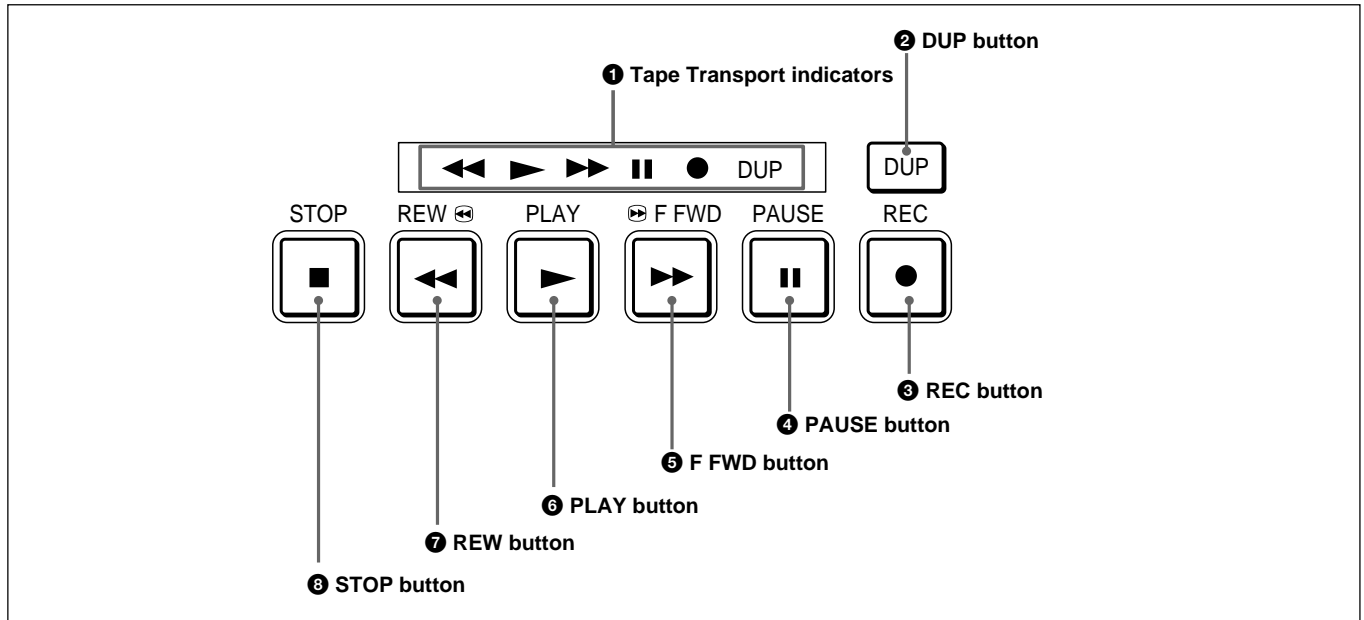
⑧ Cassette indicator

Lights when inserting a digital video cassette available for this VCR. It flashes when ejecting a cassette.

⑨ Mini indicator

Lights when inserting mini-size digital video cassette.

2 Tape transport control section



① Tape Transport indicators

② DUP (duplicate) button

Use this button to make a work tape having the same time codes as the source tape.

For details of duplicate, see page 30.

③ REC (record) button

When you press the PLAY button while holding down this button, the indicator lights and recording begins. To set the VCR to recording pause mode, press this button while holding down the PAUSE button.

④ PAUSE button

When you press this button, the indicator lights and the VCR is set to pause mode.

⑤ F FWD (fast forward) button

When you press this button, the indicator lights and the tape is fast forwarded. During fast forward, the picture does not appear on the monitor (you can see the picture of the EE mode during fast forward). To search forward, press this button again during fast forward.

⑥ PLAY button

When you press this button, the indicator lights and playback begins.

If you press this button while holding down the REW button during stop, the tape is rewound to its beginning and starts playing automatically (during rewind, the REW indicator lights and the PLAY indicator flashes).

⑦ REW (rewind) button

When you press this button, the indicator lights and the tape starts rewinding. During rewind, the picture does not appear on the monitor (you can see the picture of the EE mode during rewind).

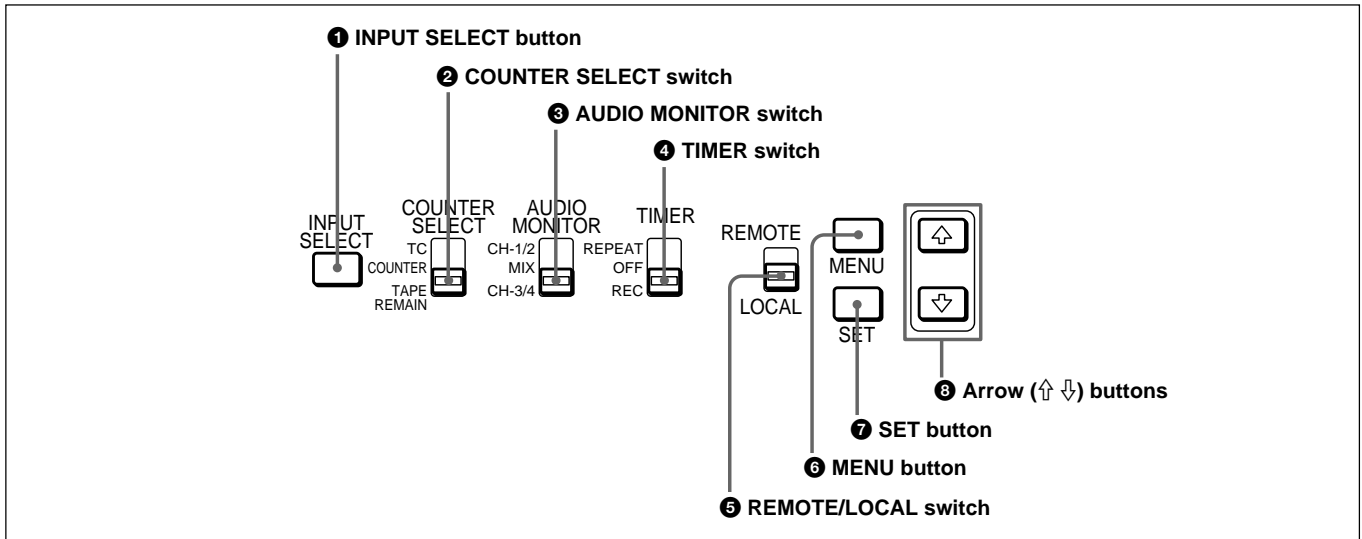
To search backward, press this button again during rewind.

If you press the PLAY button while holding down this button during stop, the tape is rewound to its beginning and starts playing automatically (during rewind, the REW indicator lights and the PLAY indicator flashes).

⑧ STOP button

Press this button to stop the current tape transport operation.

3 Inside of the door



1 INPUT SELECT button

Select video input signals. Each press of this button cycles through three video signal selection options: video, S-video, and DV input. When you select one of these options, the corresponding indicator in the display lights up.

2 COUNTER SELECT switch

Select the type of time data in the time counter display.

TC: Time code

COUNTER: Count value of the time counter

TAPE REMAIN: Remaining time

3 AUDIO MONITOR switch

Use to select the audio track you want to hear when playing back a tape recorded in 4-channel mode (Fs32k).

CH-1/2: Channels 1/2 only

MIX: Channels 1/2 and channels 3/4 (mix)

CH-3/4: Channels 3/4 only

4 TIMER switch

Use to select timer recording or auto repeat using an external AC timer (not supplied).

REPEAT: When the power is supplied to this VCR, a tape rewinds to its beginning automatically and playback starts. The VCR repeats the playback from the beginning to the first index (if there is no index on the tape, to the unrecorded portion; if no unrecorded portion, to the tape end).

OFF: Timer is released.

REC: When the power is supplied to this VCR, recording starts.

5 REMOTE/LOCAL switch

Selects whether the unit is operated from its front panel or from external (remote) equipment.

REMOTE : The unit is operated from an editing controller connected to the REMOTE connector on the rear panel. No operation on the front panel works except sliding switches.

LOCAL : The unit is operated from its front panel, from an external equipment connected to the LANC jack on the rear panel, or from a SIRCS-system remote controller connected to the CONTROL S jack on the rear panel.

6 MENU button

Press this button to display the menu on the monitor screen. Press it again to return from the menu display to the usual display.

Note

If you set the REMOTE/LOCAL switch to REMOTE while the menu display is on the monitor, it returns to the usual display.

On how to use the menu, see Chapter 3 "Menu Settings".

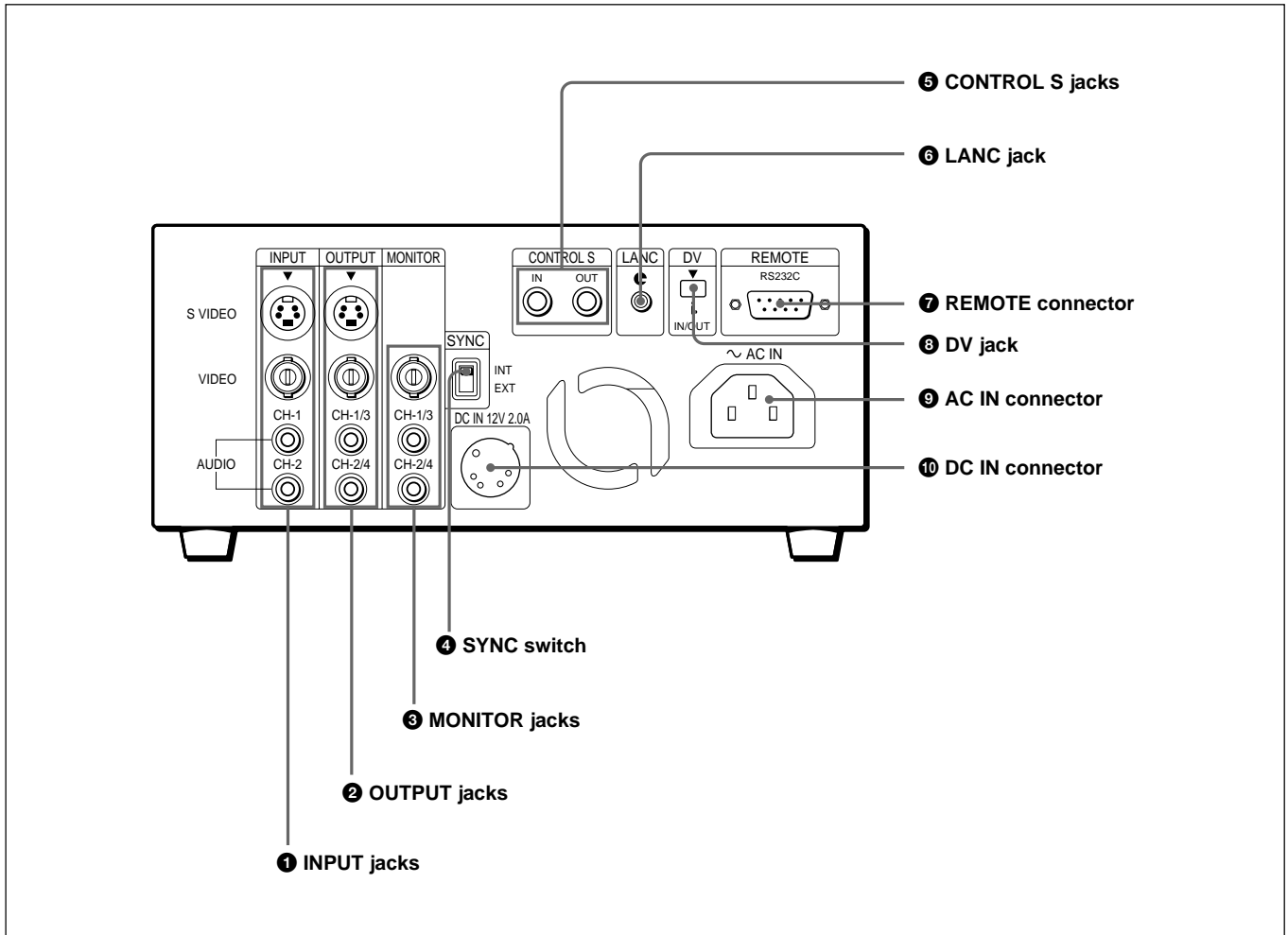
7 SET button

Press this button to save selected menu items to the unit's memory.

8 Arrow (↑ ↓) buttons

Use these buttons to move around the menu items.

Rear Panel



1 INPUT jacks

Input video and audio signals. To connect a VCR equipped with the S VIDEO OUT jack, use the S VIDEO jack on this VCR.

2 OUTPUT jacks

Output video and audio signals. To connect a VCR equipped with the S VIDEO IN jack, use the S VIDEO jack on this VCR.

3 MONITOR jacks

Output video and audio signals for monitoring.

4 SYNC switch

Selects the reference signal. The video signal is locked to V-sync or H-sync, but not locked to sub-carrier. The sync phase is not adjusted. The video signal is not locked to DV input.

INT: Selects the playback signal on this VCR as the reference signal.

EXT: Selects the input video signal from the external equipment connected to this VCR as the reference signal.

Notes

- The picture and the sound may be distorted if:
 - You set the SYNC switch during playback.
 - The analog signal is input from the INPUT jacks during playback with the SYNC switch set to EXT.
- If the SYNC switch is set to EXT during playback, the INPUT SELECT button does not work.

5 CONTROL S jacks

Connect a SIRCS-system remote controller so that you can operate a number of VCRs simultaneously. When controlling this VCR from an editing controller such as the DSRM-10 or SVRM-100A (not supplied), connect the unit to the editing controller via CONTROL S IN jack. Use CONTROL S OUT jack when making a cascade connection.

Note

SIRCS-system has the same function as CONTROL S-system.

6 LANC jack

When you connect the LANC jacks on this VCR and the other VCR, you can control this VCR (player) from the other VCR. The LANC connection transmits signals such as control signals, time code and time counter data and status data.

Notes

- The other VCR (recorder) receives the time code data from the LANC jack only when this VCR (player) is set to show the time code indications.
- If the REMOTE/LOCAL switch is set to REMOTE, the LANC connection does not transmit signals.

7 REMOTE connector (9-pin)

Connect an editing controller or a personal computer with the RS-232C interface for remote-control of this VCR.


Notes

- When you edit tapes connecting FXE-120 or FXE-100 and using this VCR as a player, set the RS-232C baud rate of the both units to 19200bps.
- When you edit tapes connecting FXE-120 or FXE-100 and using this VCR as a recorder, use the LANC interface box IF-FXE2.

8 DV jack

The DV jack is i.LINK compatible. Use when the equipment connected to the VCR has a DV jack. If you connect the VCR and the other equipment using DV jacks, you can minimize deterioration of picture quality during dubbing, editing or capturing still pictures into a personal computer by digital processing. For details, refer to the instruction manual of the equipment you use.

Note

 is a trademark of Sony Corporation and indicates that this product is in agreement with IEEE1394-1995 specifications and their revisions.

9 AC IN connector

Connect to an AC power outlet using the supplied power cord.

10 DC IN connector

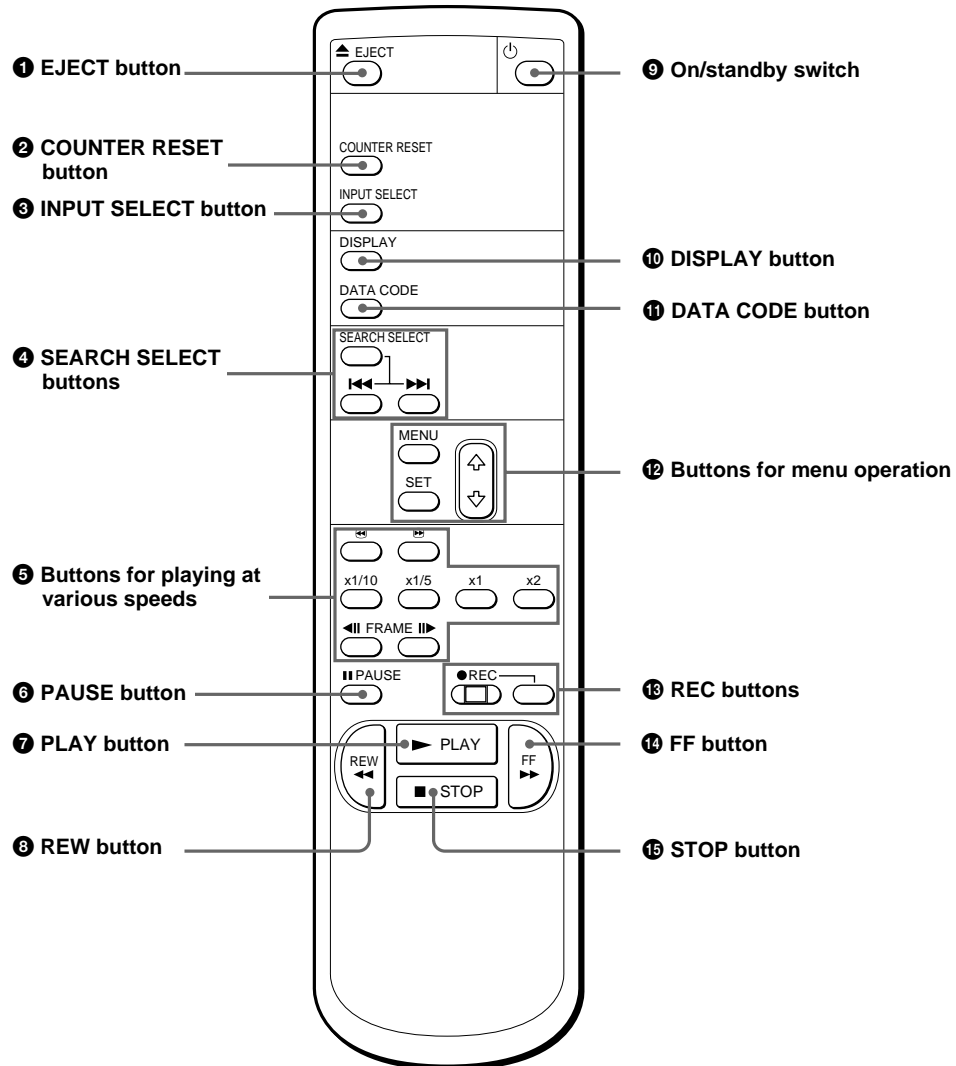
Connect to an DC power source. Use the DC power source whose voltage is 11 - 17 V and electric current is over 2.0 A (4.0 A at the peak).

When the AC power outlet and the DC power source are connected to the VCR at the same time, the latter is automatically selected.

Notes

- If the voltage of the DC power source (e.g., a battery) falls less than 11 V, a beep sound is output (when BEEP in the menu is set to OFF, it is not output) and “dclo” appears in the display window. Replace the battery by a charged one or remove it to use the AC power outlet.
- If the voltage of the DC power source falls less than 10.5 V, a beep sound is output (when BEEP in the menu is set to OFF, it is not output) and the VCR is set to the standby mode. As you cannot turn on the VCR at this moment, replace the battery by a charged one or remove it to use the AC power outlet. If the voltage falls still less, a circuit works to protect the battery from excessive discharge and the electric current is shut off. As leaving the battery for a long time may cause excessive discharge, remove it.
- Depending on the battery, the VCR may be set to the standby mode again after the circuit works, but it does not mean the trouble of the VCR. Remove the battery.

Supplied Remote Controller



1 EJECT button

2 COUNTER RESET button

3 INPUT SELECT button

4 SEARCH SELECT buttons

Press these buttons to search for scenes using the index function.

For details, see "Searching using the index function" on page 19.

5 Buttons for playing at various speeds

◀▶ buttons

× 1/10 button

× 1/5 button

× 1 button

× 2 button

FRAME ◀||||▶ buttons

For details, see "Playing at various speeds" on page 18.

6 PAUSE button**7 PLAY button****8 REW button****9 On/standby switch****10 DISPLAY button**

Press this button to see the indications, such as tape counter, on the monitor screen.

11 DATA CODE button

Press this button to see the tape information on the monitor screen.

For details, see “Displaying tape information” on page 22.

12 Buttons for menu operation

MENU button

SET button

↕/↔ buttons

13 REC buttons

When you press these buttons at the same time, the indicator lights and recording begins.

14 FF button**15 STOP button****Note**

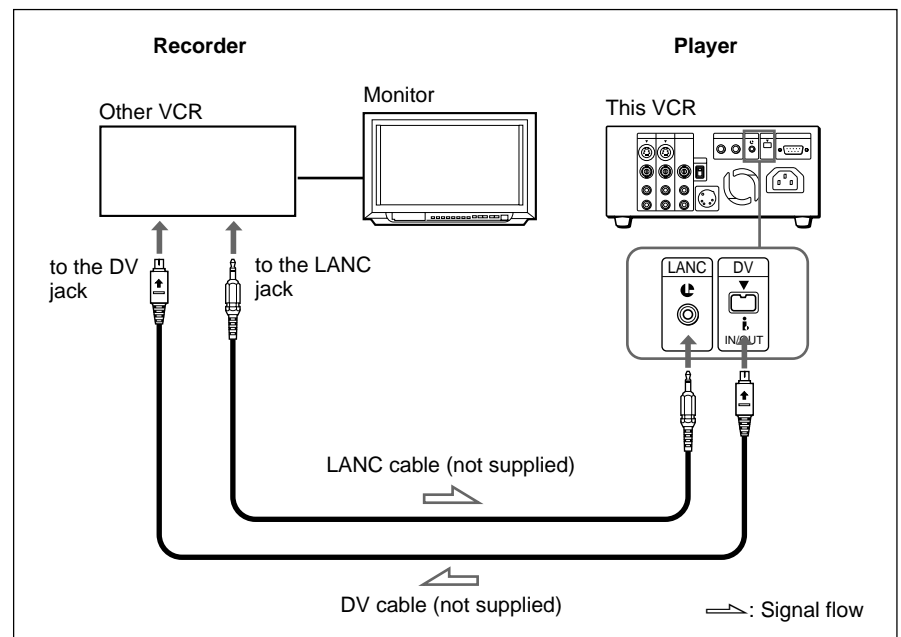
When using the supplied remote commander, set REMOTE CONTROL in the menu to VTR4 (*see page 35*). Otherwise, you cannot operate this VCR with the supplied remote commander.

This section describes the necessary connections, settings and operations to perform playback on this unit. The same settings and operations apply whether you are using the unit as part of an editing system, for dubbing, or as a stand-alone videocassette player.

Connections for Playback

To digital video equipment with DV connector

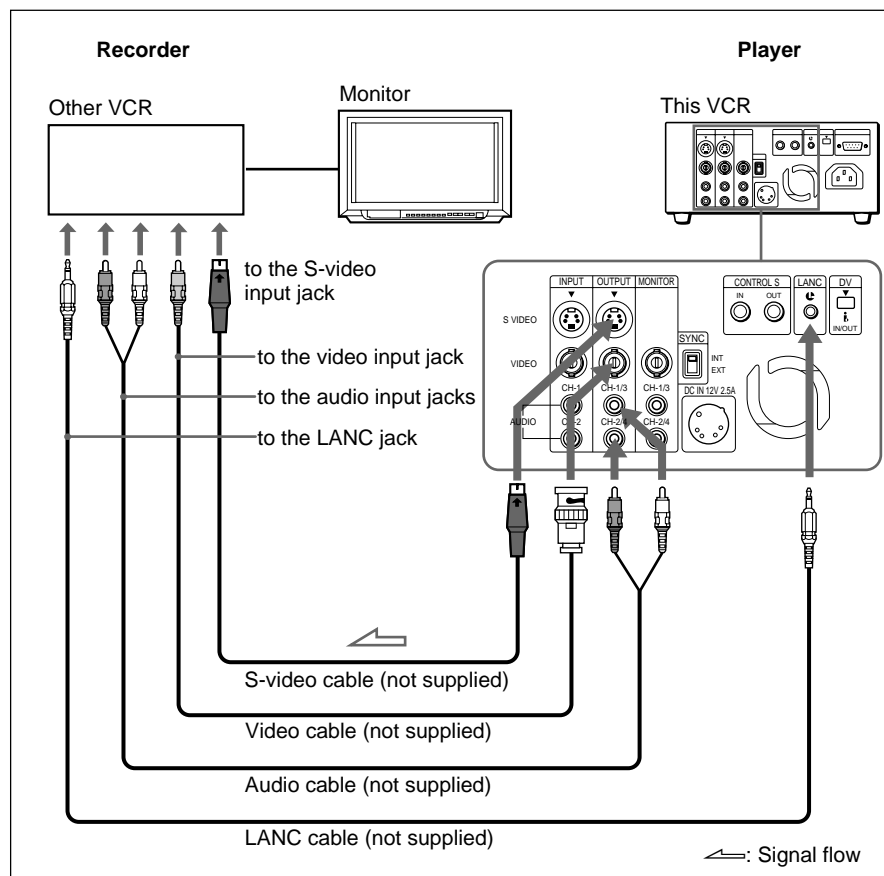
The video and audio signals are sent with hardly any degradation, enabling high-quality editing. The signal flow is automatically detected so you need not make separate connections for input and output.



Notes

- Set DV EE OUT in the menu to OFF (*see page 35*).
- Audio signals are not output during playing at various speeds.
- With the DV connection, the sound is recorded in the same audio recording mode as that of the source tape. To record in a different audio recording mode from the source tape, use the LINE connection instead.
- With the DV connection, tape information (recording date, camcorder data, etc.) recorded on the source tape is transmitted from this VCR (player). As a result, when you play back a recorded tape and press DATA CODE, the same tape information recorded on the source tape is displayed on the monitor screen. However, contents of the cassette memory are not transmitted. In addition, the time code is newly recorded on the tape on the other VCR, except when copying a tape in Duplicate mode.
- As for the LANC connection, see “Notes for LANC connection” on the next page.

To video equipment without DV jack

**Notes**

- When you connect output jacks of the recorder to input jacks of this VCR, select the input correctly to prevent a humming noise.
- Distorted signals (e.g., when played back at a speed other than normal) will not be recorded properly.
- The indications displayed on the monitor screen are output only via MONITOR jack.

Notes for LANC connection

- The LANC connection transmits signals such as control signals, time code, time counter data and status data.
- If the other VCR has a LANC jack of 5-pin DIN type, connect with the VK-810 Control L connecting cable (not supplied).
- The jacks labeled CONTROL L have the same function as LANC jacks. The jacks labeled REMOTE may also have the same.
- The other VCR (recorder) receives the time code data from the LANC jack only when this VCR (player) is set to show the time code indications.

Settings for Playback

Preparation on the player (this VCR)

- 1** Power on the video monitor, then set the monitor's input switches according to the input signals from the recorder.
- 2** Set up the recorder.
For details, see "Preparation on the recorder" below.
- 3** Power on this unit by pressing the ON/STANDBY switch.
- 4** If the other equipment that controls this VCR has the time code function, set the COUNTER SELECT switch to TC (*see page 9*).
- 5** When you play back an audio dubbed tape, set the AUDIO MONITOR switch to MIX (*see page 9*). Then select the precise balance between the tracks with the AUDIO MIX BALANCE in the menu (*see page 34*).

Note

With the DV connection, the playback VCR's AUDIO MONITOR (sound selection) and AUDIO MIX BALANCE (audio balance adjustment) do not function on the source audio output through the DV jack.

Preparation on the recorder

- Insert a tape for recording.
- Select the formats of video and audio input signal to be recorded.
- Set the LANC mode to M.

Notes

- Editing is not possible with a tape that is copyright protected.
- You cannot use the video equipment that has no LANC mode switch as a recorder.

Playback Procedure

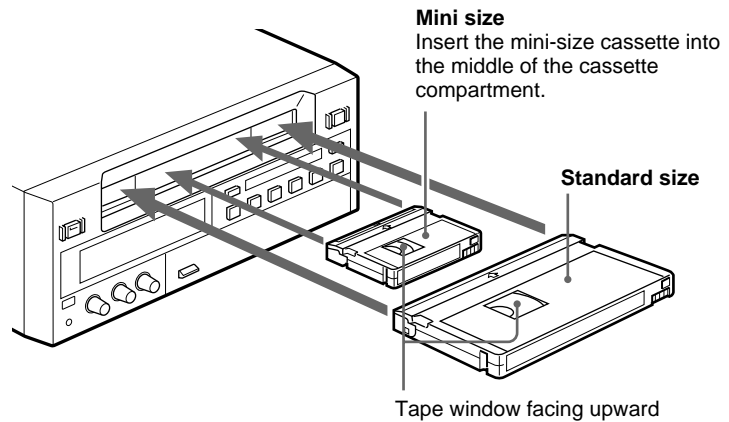
Notes

- When controlling this unit from an editing controller or a personal computer, set the REMOTE/LOCAL switch to REMOTE. When not, set the switch to LOCAL.
- Do not insert the cassette forcibly. The VCR may be damaged.

- 1** After checking the tape for slack, hold the cassette so that the tape window is facing upward, then insert it into this unit as illustrated below.

For details of checking the tape for slack, see page 5.

The cassette is automatically drawn into the unit.



- 2** Press the PLAY button.

This starts the playback operation.

Playback Functions

Playing at various speeds

You can enjoy playback functions using supplied remote controller.

Playback options	Operation
Play at 1/10 of normal speed	Press \times 1/10 during playback
Play at 1/5 of normal speed	Press \times 1/5 during playback
Play at normal speed	Press \times 1 during playback
Play at twice the normal speed	Press \times 2 during playback
Play frame by frame	Press FRAME ◀ / ▶ during pause.

To hear the sound during playing at various speeds

If you want to hear the sound during playing at various speeds, set JOG WITH SOUND in the menu to ON (*see page 34*).

Searching using the index function

Three kinds of search are available on this VCR:

- Searching for the beginnings of recordings: Index search
- Searching for a point on the tape where the recorded date changes: Date search
- Searching for scenes recorded in the photo mode with a digital camcorder: Photo search

Searching in the list

If the tape has a cassette memory, the recordings are listed in the chronologically in the order they were made. You can search using this chronological list.

If the tape does not have a cassette memory, you cannot search for scenes in the chronological order.

- 1** Press SEARCH SELECT to select the search type: INDEX, DATE or PHOTO SEARCH.

The chronological list appears on the monitor screen.

INDEX SEARCH			
			CH
1	2/28/98	1:00AM	12
2	3/ 7/98	12:59PM	LINE
3	3/11/98	3:05AM	11
4	5/ 5/98	7:00PM	CAM
5	7/ 3/98	10:15AM	4
6	10/28/98	12:20PM	106
7	11/23/98	8:30AM	10
8	12/20/98	12:30AM	239
		↓	

When selecting INDEX SEARCH (DSR-20)

- 2** Press ◀◀ or ▶▶ to select a recording.

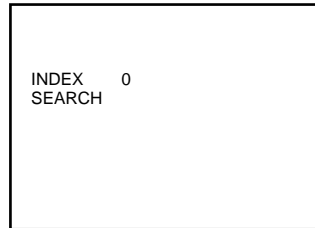
The VCR starts searching and when it locates the recording, begins playback. During Photo search, the VCR pauses.

Searching in the order of the actual positions of the recordings on the tape

When you use a tape without a cassette memory, the VCR searches in the order of the actual positions of the recordings, regardless of the setting of CASSETTE MEMORY SEARCH in the menu.

When you use a tape with a cassette memory, set CASSETTE MEMORY SEARCH in the menu to OFF (see page 35).

- 1 Press SEARCH SELECT to select the search type.



When selecting INDEX SEARCH (DSR-20)

- 2 Press **◀◀** or **▶▶** repeatedly to locate the recording you want.

The VCR starts searching backwards or forwards until the index number comes to zero, then plays back the recording. During Photo search, the VCR pauses.

How signals are recorded

The VCR marks the tape when REC is pressed.

There are three different signals for each search method. The type of signal recorded and where it is recorded (on the tape or in the cassette memory) depends on the video equipment used for recording. Please note that if the signals for certain search type are not recorded, you cannot do that type of search.

When you record with a Sony digital camcorder (DSR-200/200P)

Signals for	In cassette memory	On tape
Index search*	No	No
Date search	Yes	Yes
Photo search	Yes	Yes

When you record on this VCR

Signals for	In cassette memory	On tape
Index search*	Yes	Yes
Date search	No	Yes
Photo search	No	No

* The signals for Index search are recorded when you start recording for the first time in stop mode.

Note

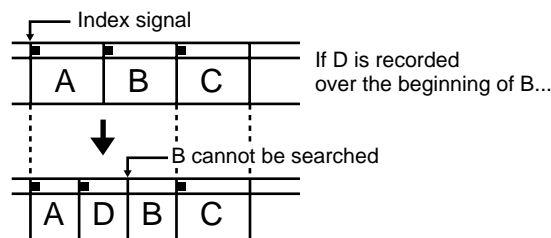
When recording on this VCR, signals for index search do not have information on a day of the week.

About the cassette memory

- If you use a tape with *CI* mark, the cassette memory stores up to 135 index signals. (The number changes depending on the data size combination of index, date, and photo data stored on a tape.) This VCR is capable of storing and retrieving up to 16 kbits of cassette memory.
- To locate recordings whose signals are disabled to be stored in the cassette memory, or to locate recordings in order of their position on the tape, set CASSETTE MEMORY SEARCH in the menu to OFF (*see page 35*). You can use the same procedure to search for a recording on a tape without cassette memory.

Notes

- Each program is indexed at its beginning. If you record another program over the beginning of the first program, you will not be able to locate the original program.



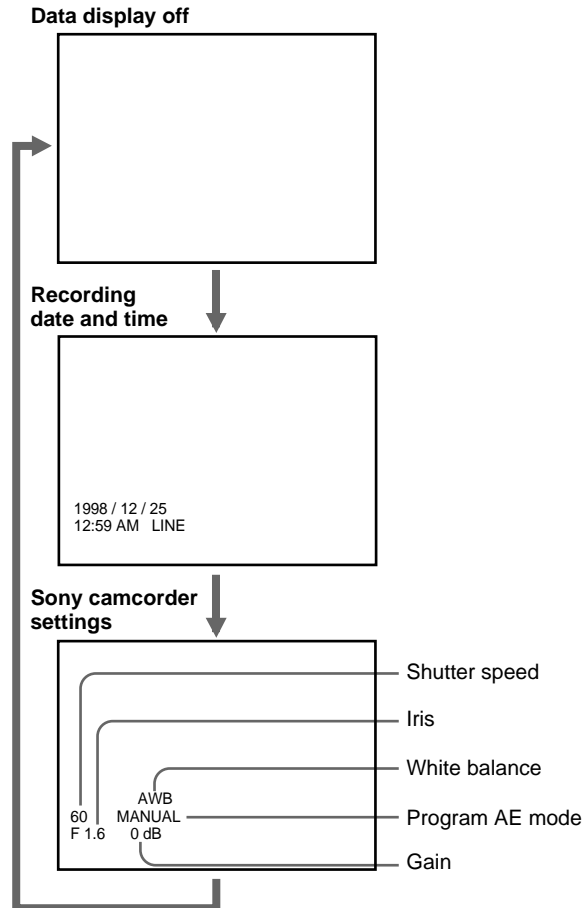
- You cannot add indexes after recording.
To add indexes only for Auto Repeat, start recording from the point you want to start indexing.
- You cannot erase indexes after recording.
To delete indexes for Auto Repeat, set INDEX WRITE in the menu to OFF (*see page 35*). Then record over the index signal you want to erase.
- Searching may not be done correctly if the signals were not recorded on a Sony-brand digital video equipment.

Displaying tape information

If you record on a tape using a Sony digital camcorder DSR-200/200P, camcorder data (the shutter speed, program AE mode, white balance, iris and gain) can be recorded on the tape. You can check these data during playback on this VCR.

Press DATA CODE during playback.

Each time you press DATA CODE, the display changes as follows.



Notes

- When the information was not recorded, “- -” appears instead.
- The camcorder data displayed on the monitor screen by this VCR are partially different from those shown by the digital camcorder.

Auto repeat

This VCR can repeat the playback of all or part of the tape.

- 1 Set the TIMER switch on the front panel to REPEAT.

The TIMER indicator on the front panel lights.

- 2 Press REW to rewind the tape to its beginning.

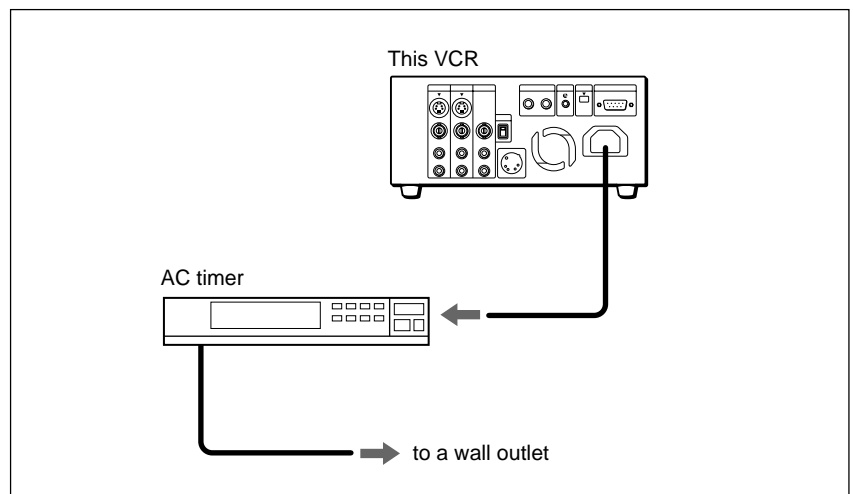
- 3 Press PLAY.

Playback starts automatically. The VCR repeats the playback from the beginning to the first index (if there is no index on the tape, to the unrecorded portion; if no unrecorded portion, to the tape end).

Auto Repeat using an external AC timer

If you connect an external AC timer (not supplied) to this VCR, you can repeat playback automatically at the preset time.

- 1 Connect an external AC timer (not supplied) to this VCR.



- 2 Set the TIMER switch on the front panel to REPEAT.

The TIMER indicator in the display window lights.

- 3 Set the timer-on time on the external AC timer.

At the preset time, the power turns on, and after a few seconds (no more than 30), Auto Repeat playback starts automatically. The VCR repeats the playback from the beginning to the first index (if there is no index on the tape, to the unrecorded portion; if no unrecorded portion, to the tape end).

Notes

- The VCR cannot search for an index or unrecorded portion within 20 seconds from the beginning of the tape.
- While a tape is running, do not turn off the power, using an AC timer. The VCR and a tape may be damaged. When turning off the power of the VCR, make sure to press STOP on this VCR first to stop the tape transport, then turn off the power.

To stop Auto Repeat

Press STOP.

To release Auto Repeat mode

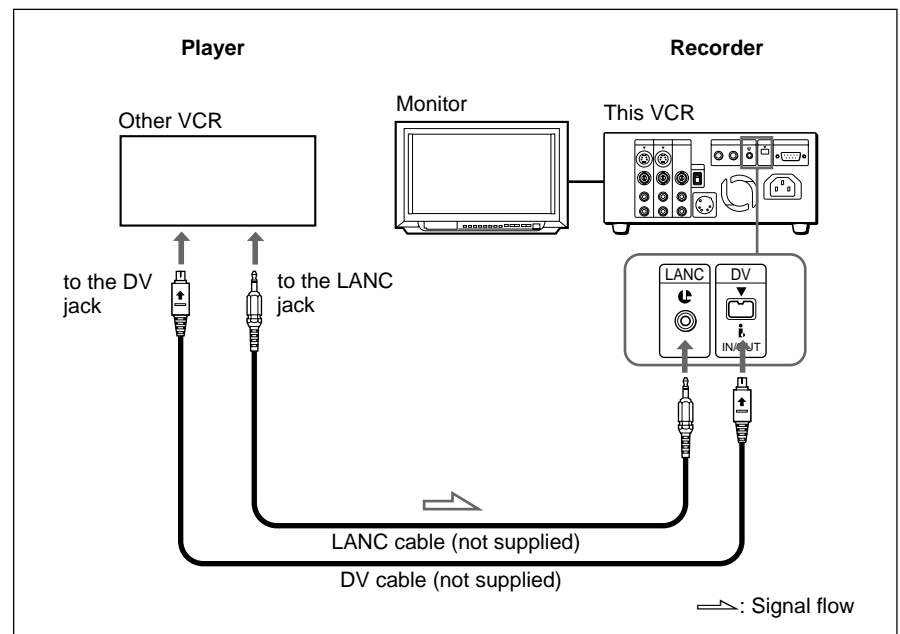
Set the TIMER switch to OFF.

This section describes the necessary connections, settings and operations to perform recording on this unit. The same settings and operations apply whether you are using the unit as part of an editing system, for dubbing, or as a stand-alone recorder.

Connections for Recording

To digital video equipment with DV connector

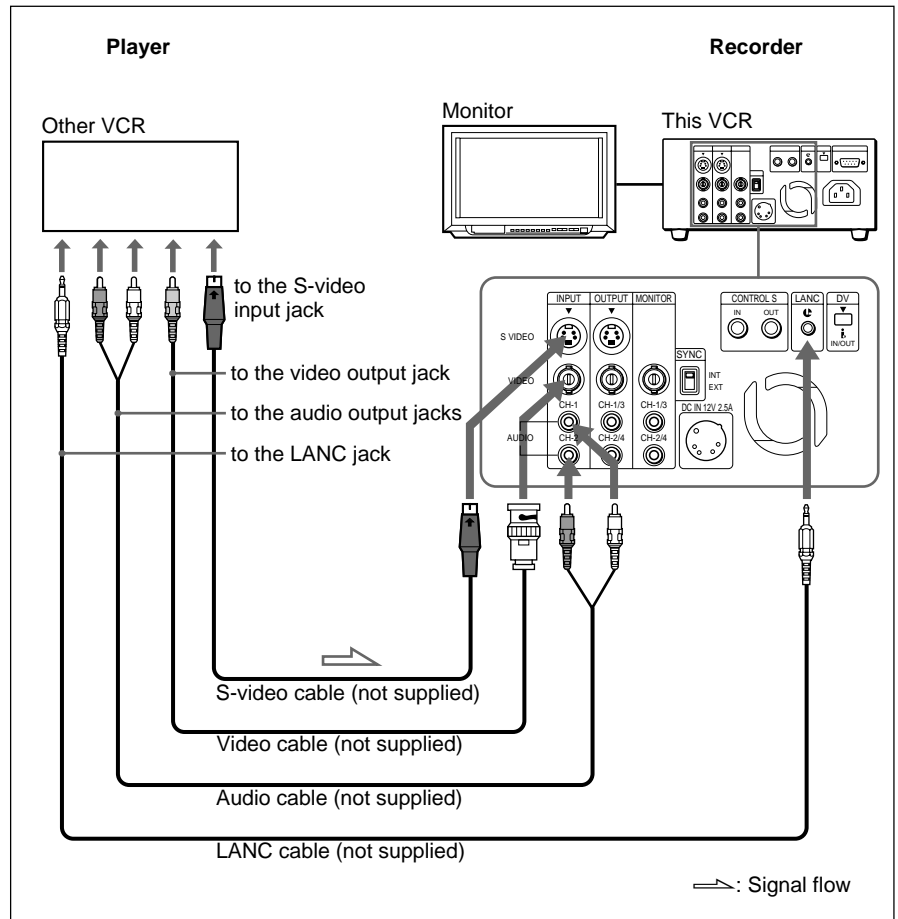
The video and audio signals are sent with hardly any degradation, enabling high-quality editing. The signal flow is automatically detected so you need not make separate connections for input and output.



Notes

- Audio signals are not output during playing at various speeds.
- With the DV connection, the sound is recorded in the same audio recording mode as that of the source tape. To record in a different audio recording mode from the source tape, use the LINE connection instead.
- With the DV connection, tape information (recording date, camcorder data, etc.) recorded on the source tape is transmitted from the other VCR (player). As a result, when you play back a recorded tape and press DATA CODE, the same tape information recorded on the source tape is displayed on the monitor screen. However, contents of the cassette memory are not transmitted. In addition, the time code is newly recorded on the tape on this VCR, except when copying a tape in Duplicate mode.
- As for the LANC connection, see “Notes for LANC connection” on the next page.

To video equipment without DV jack



Notes

- When recording the analog input signals, this VCR can digitally output the signals from the DV jack for backup. Set DV EE OUT in the menu to ON (see page 35).
- When you connect output jacks of this VCR to input jacks of the player, select the input correctly to prevent a humming noise.
- Distorted signals (e.g., when played back at a speed other than normal) will not be recorded properly.
- The indications displayed on the monitor screen are output only via MONITOR jack.

Notes for LANC connection

- The LANC connection transmits signals such as control signals, time code and time counter data and status data.
- If the other VCR has a LANC jack of 5-pin DIN type, connect with the VK-810 Control L connecting cable (not supplied).
- The jacks labeled CONTROL L has the same function as LANC jacks. The jacks labeled REMOTE may also have the same.
- This VCR (recorder) receives the time code data from the LANC jack only when the other VCR (player) is set to show the time code indications.

Settings for Recording

Preparation on the recorder (this VCR)

Notes

- Before recording, set the clock on the VCR so that the recording time can be written into the index signal. You can set the clock by setting the CLOCK SET menu (*see page 35*).
- When controlling this unit from an editing controller or a personal computer connected to REMOTE connector, set the REMOTE/LOCAL switch to REMOTE. When not, set the switch to LOCAL.
- Editing is not possible with a tape that is copyright protected.

- 1** Power on the video monitor, then set the monitor's input switches according to the input signals from this unit.
- 2** Set up the player to play back a tape.
For details, see "Preparation on the player" on the next page.
- 3** Power on this unit by pressing ON/STANDBY switch.
- 4** Use COUNTER SELECT switch to select the type of time data to be used.

Type of time data	Set the switch to
Count value of the time counter	COUNTER
Time code	TC

- 5** Select the formats of video and audio input signal to be recorded.

Press INPUT SELECT to select the desired signal formats. Each press of this button cycles through three video signal selection options: video, S-video, and DV input. Each selection is shown by a lit indicator in the display window.

Note

Once you have started recording, you cannot change the input signal selection (except during recording pause mode).

- 6** When using the LINE connections (INPUT jacks), select the audio mode.

Select the desired mode by setting the AUDIO MODE menu.

Audio mode	Set the menu to
2-channel mode	Fs48k
4-channel mode	Fs32k

On how to use the menu, see Chapter 3 “Menu Settings”.

Notes

- In the DVCAM format, there are two audio recording modes, with either two channels at 48 kHz or four channels at 32 kHz. It is not possible to select other modes (for example with four channels at 48 kHz).
- When recording in 4-channel mode on this VCR, audio signals are recorded only in channels 1/2.
- Once you have started recording, you cannot change the audio mode selection.

- 7** Use the AUDIO INPUT LEVEL control knobs to adjust audio input levels.

Watching the audio level meter (*see page 7*), adjust the level so that the meter does not indicate higher values than 0 dB when the audio signal is at its maximum.

When the level exceeds 0 dB, sound distortion occurs.

Preparation on the player

- Insert a source tape.
- If the player VCR has an EDIT switch, set it to ON.
- Turn off the on-screen display.
- Set the LANC mode to M.

Note

With the DV connection, the playback VCR's AUDIO MONITOR (sound selection) and AUDIO MIX BALANCE (audio balance adjustment) do not function on the source audio output through the DV jack.

Recording Procedure

Note

When controlling this unit from an editing controller connected to the REMOTE connector, set the REMOTE/LOCAL switch to REMOTE. When not, set the switch to LOCAL.

- 1** After checking that the cassette's safety switch is set to write enabled position and the tape for slack, hold the cassette so that the tape window is facing upward, then insert it into this unit as illustrated below.

For details of the cassette's safety switch, see page 4. For details of checking the tape for slack, see page 5.

The cassette is automatically drawn into the unit and the tape is wound round the head drum. The tape is stationary while the head drum rotates.

- 2** Press the PLAY button on the player.

This starts the player's playback operation.

- 3** Press and hold the REC button, and press the PLAY button.

This starts the recorder's recording operation.

Duplicate

If you copy a source tape, using the DUP (duplicate) button on this VCR, you can copy the time code recorded on the source tape as they are. You can easily make a work tape having the same time codes as the source tape.

The duplicate function on this VCR works only when using a source tape recorded in DVCAM format and making DV connections.

- 1** Connect this VCR and the other (playback) VCR, using a DV cable and select DV with INPUT SELECT on this VCR.
- 2** Locate the points where you want to start playback and recording.
- 3** Press STOP to stop the tape transport operation.
- 4** Press and hold the DUP button, and press the PLAY button.

The DUP indicator flashes and this VCR enters into recording standby mode.

Notes

- If the other (playback) VCR has already started playback, the DUP indicator lights and duplicate starts immediately.
- If the other (playback) VCR is in the playback pause mode, duplicate starts immediately and this VCR continues to record a still picture and a certain time code.

- 5** Press the play button on the other VCR to start playback.

The DUP indicator lights and duplicate starts.

To adjust the point where duplicate starts

In step 4 above, press and hold the DUP button instead of the PLAY button, and press the PAUSE button. This VCR remains recording standby mode until you press PAUSE again.

After the other VCR starts playback, press PAUSE button at the point where you want to start duplicate.

To stop duplicate

Press STOP.

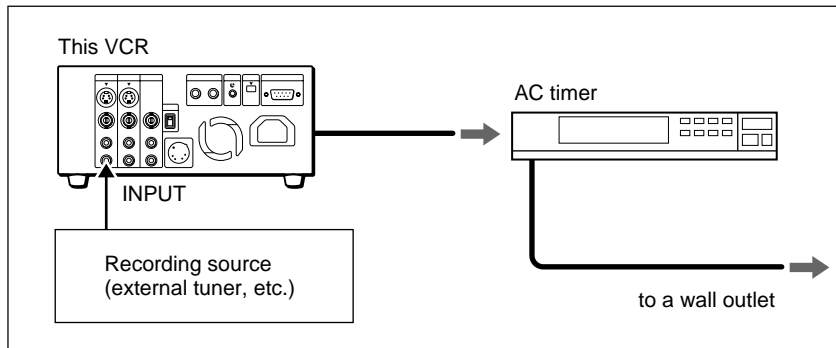
Notes

- During duplicate, do not change the speed of the player's tape or set it to pause mode. Otherwise, the time code of the recorded tape becomes out of sequence and you cannot use it for editing.
- During duplicate, time counter does not appear. Check it in the other VCR.
- When you start duplicating, the first part of the source tape may be dropped on the copied tape.
- You may not be able to copy the first part or an unrecorded portion of the source tape. Locate the recorded portion on the source tape, then start copying.
- The recording does not stop the moment you press STOP to stop editing. The source picture may be recorded a little longer than you expected.
- If you duplicate a tape by using two DSR-20s, set DV EE OUT in the menu of the player to OFF (*see page 35*).
- The index signals are not recorded when the duplicate starts.
- If you set the REMOTE/LOCAL switch to REMOTE during duplicate, the tape stops.

AC timer recording

By connecting this VCR to an external AC timer (not supplied), you can start recording at a preset time.

- 1 Connect this VCR to an external AC timer (not supplied).



- 2 Insert a tape for recording.
- 3 Press INPUT SELECT to select the recording source.
- 4 Set the timer-on time on the connected AC timer.

At the preset time, the power of this VCR and the recording source turn on automatically and recording starts about several to 10 seconds later. Set the timer allowing a margin for the recording to start.

- 5 Set the TIMER switch at the front to REC.

You need not press REC.

If the tape ends before the recording source stops operation

The tape stops without rewinding.

If you set the AUTO REWIND in the menu to ON, the tape rewinds to its beginning automatically (*see page 35*).

To stop recording during the timer recording

Press STOP.

To release AC timer recording

Set the TIMER switch to OFF.

Note

While a tape is running, do not turn off the power using an AC timer. The VCR and a tape may be damaged. When turning off the power of the VCR, make sure to press the STOP button on this VCR first to stop the tape, then turn off the power.

Connecting Other Equipment

For usage, connections, etc., refer to the instruction manual of the equipment to be connected.

Connecting an editing controller

You cannot execute video/audio insert editing. Only assemble editing is available with this VCR.

Notes

- You cannot edit tapes with the RS-232 protocol using this VCR as a recorder.
- When you edit tapes connecting FXE-120 or FXE-100 and using this VCR as a player, set the RS-232C baud rate of the both units to 19200bps.
- When you edit tapes connecting FXE-100 and using this VCR as a recorder, you need to upgrade FXE-100 by using FXE-KIT1 (not supplied).
- When you edit tapes connecting FXE-120 or FXE-100 and using this VCR as a recorder, you cannot directly connect the units. Use the LANC interface box IF-FXE2.

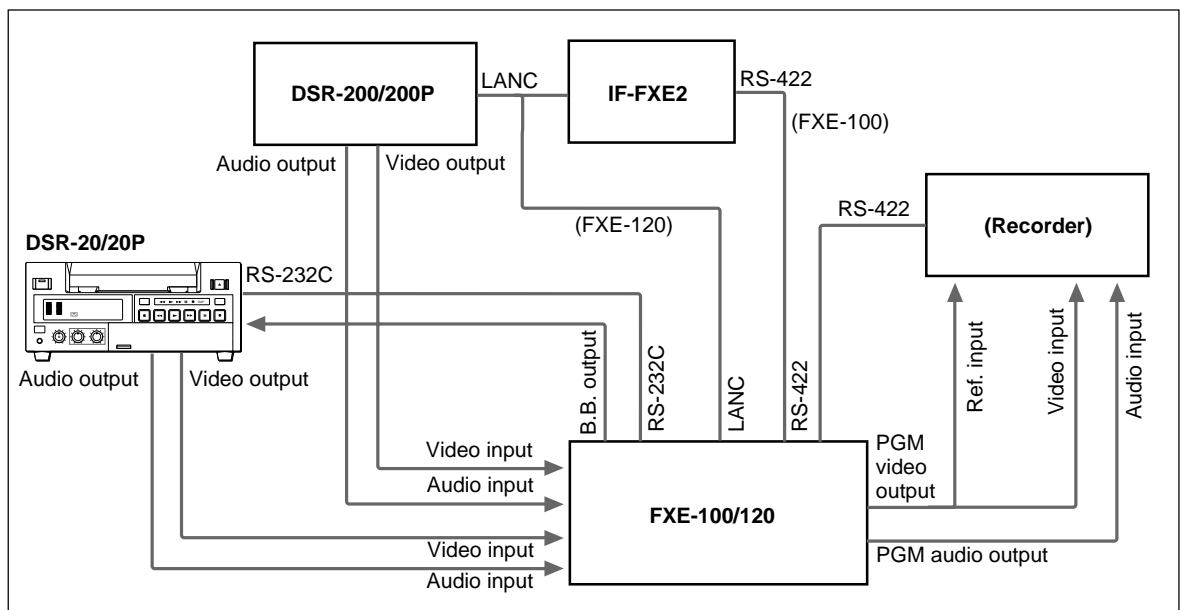
Connecting a titler and a digital SEG

When connecting a titler and a digital SEG equipped with the S VIDEO jack, use the S VIDEO connection.

Making a tape duplication system by connecting a number of DSR-20/20P units

- Make sure to use an audio/video distributor. If you make a loop connection, picture and sound may deteriorate.
- When using a CONTROL S jack, you can make a loop-through connection. Check the command mode of the wired remote commander and set the same mode on this VCR by the REMOTE CONTROL menu (see page 35).
- You cannot use the following remote commanders with this VCR:
RM-250, RM-S18 and RM-S52A.

An example of the tape duplication system



Changing Menu Settings

This VCR has various functions available, and you can set and check them on the monitor screen. **Before operation, set the clock by setting the CLOCK SET menu.**

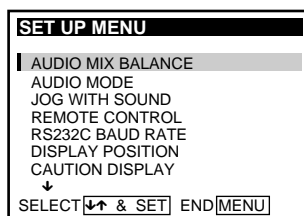
You can change the menu settings on the SET UP MENU screen. If necessary, change the settings manually during editing, etc.

Changing the SET UP MENU Settings

Follow the instructions below to change the settings.

1 Press MENU.

The SET UP MENU appears on the monitor screen. To cancel the menu settings, press MENU again.



2 Press \uparrow/\downarrow buttons to select the option you want to change, and press SET button.

Each menu option appears on the monitor screen (*see the table below*).

3 Press \uparrow/\downarrow buttons to change the setting, and press SET button.

The menu disappears from the monitor screen.

Menu Contents

Initial settings are indicated in bold letters.

Menu options	Set this option to	Description of settings
AUDIO MIX BALANCE		If you set the AUDIO MONITOR switch to MIX, you can select the precise balance between channels 1/2 and channels 3/4 by five steps.
AUDIO MODE	Fs48k Fs32k	<ul style="list-style-type: none">• To set the audio mode to 2-channel mode (16bit mode). This mode uses the whole audio area to record one stereo track. You can get higher sound quality.• To set the audio mode to 4-channel mode (12bit mode). This mode separates the audio area into 2 parts. You can record two kinds of audio, stereo 1 and stereo 2. When recording on this VCR, audio signals are recorded only in channels 1/2.
JOG WITH SOUND	ON OFF	<ul style="list-style-type: none">• To listen to the sound when playing a tape in various speeds.• To turn off the sound.

Menu options	Set this option to	Description of settings
REMOTE CONTROL		Set the command mode (VTR1-6, INST) on this VCR. Change this setting when using infrared remote commander or external (remote) equipment to remotely control the unit. When using the supplied remote commander, select VTR4 (initial setting). When using the remote controller such as the optional DSRM-10 or SVRM-100A, select INST. When selecting OFF, you cannot remotely control the unit.
RS232C BAUD RATE	9600bps 19200bps	<ul style="list-style-type: none"> To set the baud rate with an editing controller that supports RS-232C interface to 9600bps. To set the baud rate to 19200bps.
DISPLAY POSITION	CENTER LOWER RIGHT	<ul style="list-style-type: none"> To display the tape counter in the center of the monitor screen. To display the tape counter in the lower right of the monitor screen.
CAUTION DISPLAY	ON OFF	<ul style="list-style-type: none"> To display the error message on the monitor screen. Not to display the error message.
BEEP	ON OFF	<ul style="list-style-type: none"> To output a beep sound when an illogical operation is made. To deactivate it.
INDEX WRITE	AUTO OFF	<ul style="list-style-type: none"> To record index signals when recording begins. Not to record index signals.
CASSETTE MEMORY SEARCH	AUTO OFF	<ul style="list-style-type: none"> To search recordings with the cassette memory. If the tape does not have a cassette memory, the VCR will search recordings using index signals recorded on the tape itself. To search recordings using the index signals recorded on the tape.
CASSETTE MEMORY ERASE	ALL DATA INDEX DATA DATE DATA PHOTO DATA	<ul style="list-style-type: none"> To erase all the data in the cassette memory. To erase index data in the cassette memory. To erase date data in the cassette memory. To erase photo data in the cassette memory. <p>Note When using the cassette whose memory can store over 16 kbits of data, you can only select ALL DATA.</p>
TIME CODE (DSR-20 only)	AUTO NDF DF	<ul style="list-style-type: none"> To set the time code to the same one as already recorded on the tape. To set the time code to Non Drop Frame. To set the time code to Drop Frame. <p>Note If you use AUTO and start recording at the beginning of the tape, the time code is set to Non Drop Frame.</p>
AUTO OFF	ON OFF	<ul style="list-style-type: none"> To turn off the VCR automatically if there is no operation and the tape stops for an hour (Auto Off) . To deactivate Auto Off.
AUTO REWIND	ON OFF	<ul style="list-style-type: none"> To rewind the tape to its beginning automatically if the tape reaches to an end (Auto Rewind). To deactivate Auto Rewind.
PHOTO PB	FIELD FRAME	<ul style="list-style-type: none"> To prevent the picture from blurring when playing a tape recorded in photo mode. To see clear picture when playing a still picture. <p>Note When using FRAME, the picture recorded in photo mode may blur.</p>
CLOCK SET		Set the clock on this VCR so that the recording time can be written into the index signal. Using \uparrow/\downarrow and SET buttons, set the date and time.
HOURS METER	 DRUM ROTATION THREADING	<p>The digital hours meter keeps cumulative counts of the head drum rotation time and the number of unthreading operations. These counts can be displayed on the monitor screen and are unresettable.</p> <ul style="list-style-type: none"> The cumulative total hours of drum rotation with tape threaded is displayed in 10-hour increments. The cumulative number of tape unthreading operation is displayed in 10-operation increments.
DV EE OUT	ON OFF	<ul style="list-style-type: none"> To output the selected line input signals from the DV jack. To output only playback video and audio signals from the DV jack.

Alarm Messages

Various messages appear on the monitor screen (“Err” appears in the display window). Check them with the following list.

Message	Meaning / Remedy
PLEASE CONFIRM THE SAFETY SWITCH OF THE CASSETTE	Check that the protect tab is slid in so that the red portion visible. → Slide back the safety switch (see page 4).
NO CASSETTE MEMORY	You try to erase cassette memory.
VCR IS RECORDING	You press a certain operation button during recording or editing.
PLEASE INSERT A NEW CASSETTE	Though no cassette is inserted in the cassette compartment, you press PLAY, etc. → Insert a cassette.
THE TAPE IS REWOUND	You press REW during at the beginning of the tape.
PLEASE REWIND OR INSERT A NEW CASSETTE	You try to start playback or recording at the tape end. → Rewind the tape or insert a new cassette.
PLEASE SET THE CLOCK	When turning on the power, the clock has not been set. → Set the clock in the menu (see page 35).
THIS PROGRAM IS COPYRIGHT PROTECTED	You try to dub the tape on which copyright protect signals are recorded.
CASSETTE MEMORY IS TOO LARGE TO ERASE	You try to erase “INDEX DATA,” “DATE DATA,” or “PHOTO DATA” on a tape having more than 16 kbits memory capacity. → Erase “ALL DATA” on the tape (see page 35).
WRITING ON CASSETTE MEMORY. PLEASE WAIT	You do certain operation while the VCR is writing on cassette memory. → Operate after writing on cassette memory is complete.
VCR IS IN DUP MODE	You press a certain operation button during duplicate.

Notes on the video cassette recorder

Do not install the unit in a place subject to direct sunlight or heat sources

If you do, its cabinet, mechanical parts, etc., may be damaged.

Do not install the unit in an extremely hot place

If the unit is left in a car parked with its windows closed (especially in summer), its cabinet may be damaged or it may not work correctly.

If the unit is brought directly from a cold to a warm location

Moisture may condense inside the unit and cause damage to the video head and tape. If you use the unit in a place subject to direct cold currents from an air conditioner, moisture may also condense inside the unit.

Do not place a heavy objects on the unit

The cabinet may be damaged, or the VCR may not work correctly.

Do not handle the recorder roughly

Avoid rough handling or mechanical shock.

To avoid damaging the cabinet finish

Plastic is often used for the surface finishing of the recorder. Do not spray a volatile solvent such as an insecticide toward the cabinet or place rubber or vinyl products on the cabinet for a long time. If you do, the finish of the cabinet may be damaged or the coating may come off.

Do not clean the cabinet with thinner or benzine

The cabinet may be damaged or its coating may come off. When you use a chemical-impregnated cloth, use it according to its directions.

Clean the cabinet with soft dry cloth

When the cabinet is very dirty, clean it with a soft dry cloth lightly moistened with a mild detergent solution and finish it with dry cloth.

Do not put magnetic objects close to the unit

Magnetic fields may damage the recording.

Checking the video heads every 1000 hours

A VCR is a high-precision piece of equipment that records and plays back the picture on a magnetic tape. In particular, the video head and other mechanical parts become dirty or worn. To maintain a clean picture, we recommend maintenance every 1000 hours, though the using condition may differ depending on temperature, humidity, dust, etc.

Cleaning of the video heads

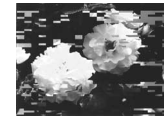
If the video heads are contaminated, the pictures cannot be recorded properly or the playback pictures become noisy. If the following phenomena occur, use the cleaning cassette (supplied) to clean the heads.

- Square-shaped noise appears on the playback picture.
- A part of the playback picture does not move.
- The playback picture does not appear on the screen.

Symptoms caused by contaminated video heads



Normal picture



If these pictures appear on the screen, use the cleaning cassette.

To use the cleaning cassette

Refer to your cleaning cassette's operating instructions.

After prolonged use, the video heads may become worn out. If optimum picture quality is not restored even after you have cleaned the video heads with the cleaning cassette, the video heads may have worn out. In that case, you have to replace the video heads with new ones. Please consult your Sony dealer.

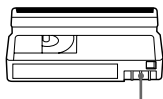
Notes on the video cassettes

If the cassette memory function does not work

Reinsert the cassette a few times. The terminal portion of the cassette may be dusty or dirty.

Cleaning the terminal

If the terminal of the cassette gets dirty, or dust sticks to the terminal, the VCR may not work correctly. Clean the terminal with the swab once every ten times you eject a cassette.



Terminal

When affixing a label on the cassette

Be sure to affix a label on only the correct location so as not to cause malfunction of the VCR.

After using a cassette

After use, please be sure to rewind the tape completely (to prevent picture and sound distortion). Return it to its case and store in upright position.

About moisture condensation

If the unit or tape is brought directly from a cold to a warm location, moisture may condense inside or outside the unit or tape. If you use the tape or video heads in this condition, the tape may adhere to the head drum, and the video heads or the tape may be damaged, or malfunction may occur.

Moisture condensation is likely to occur under the following conditions:

- The unit is brought from the cold outdoors to a warm indoor location.
- The unit is brought from the air-conditioned indoors to the hot outdoors.
- The unit is used in a place subject to cold currents from an air conditioner.

When bringing the unit from a cold place to a warm place or vice versa, put it in a plastic bag and seal the bag tightly. After bringing it into the new place, leave the bag on for about an hour, and remove the bag when the air temperature inside it has reached the temperature surrounding it.

If moisture condensation occurred

You cannot operate the unit except to press EJECT. If you insert a cassette, it is ejected automatically. If this occurs, turn on the power, wait about an hour for the moisture to evaporate.

Digital hours meter

The digital hours meter keeps cumulative counts of the head drum rotation time and the number of unthreading operations. These counts can be displayed on the monitor screen. Use them as guidelines for scheduling maintenance.

In general, consult your Sony dealer about necessary periodic maintenance checks.

The digital hours meter has the following two display modes and you can check them in the HOURS METER menu (*see page 35*).

• DRUM ROTATION mode

The cumulative total hours of drum rotation with tape threaded is displayed in 10-hour increments.

• THREADING mode

The cumulative number of tape unthreading operation is displayed in 10-operation increments.

Self-diagnosis function

The unit is equipped with the self-diagnosis function that works to prevent the VCR from malfunctioning. A two-digit service number appears in the display window. In this case, check the following table.

Message	Symptom	Remedy
32	To prevent the unit from malfunctioning, the self-diagnosis function has worked.	<ul style="list-style-type: none">• Disconnect the power cord. After reinstalling the power source, operate the unit.• Remove the cassette or turn on/off the unit.
21	Moisture condensation has occurred.	Remove the cassette and leave the unit for at least 1 hour.

Specifications

System

Recording format	DVCAM format
Video signal	
DSR-20:	EIA STANDARD, NTSC color system
DSR-20P:	CCIR STANDARD, PAL colour system
Usable cassettes	Standard-DVCAM cassettes and Mini-DVCAM cassettes
Recording time	184 minutes (when using the PDV-184ME cassette) 40 minutes (when using the PDVM-40ME cassette)

Clock

Quartz locked	
DSR-20:	12-hour cycle display
DSR-20P:	24-hour cycle display
Power back-up	Built-in self-charging capacitor Back-up duration: up to 100 hours

Inputs and outputs

Video input	BNC connector Input signal: 1 Vp-p (75 ohms unbalanced)
Video output	BNC connector Output signal: 1 Vp-p (75 ohms unbalanced)
S VIDEO input	Mini DIN 4-pin Luminance signal: 1 Vp-p (75 ohms unbalanced) Chrominance signal: 0.286 Vp-p (DSR-20) 0.3 Vp-p (DSR-20P) (75 ohms unbalanced)
S VIDEO output	Mini DIN 4-pin Luminance signal: 1 Vp-p (75 ohms unbalanced) Chrominance signal: 0.286 Vp-p (DSR-20) 0.3 Vp-p (DSR-20P) (75 ohms unbalanced)
Audio input	Phono jack (L, R) Input level: 2 Vrms (full bit) Input impedance: more than 47 kohms
Audio output	Phono jack (L, R) Output level: 2 Vrms (full bit) Output impedance: less than 10 kohms

Monitor output	BNC connector Output signal: 1 Vp-p (75 ohms unbalanced)
Control S input/output	Minijack (2)
LANC input/output	Stereo mini-mini jack (1)
RS-232C input/output	D-sub 9-pin (1)
Headphones output	Stereo minijack (1)
DV IN / OUT	4-pin jack (1)

General

Power requirements	
DSR-20:	120 V AC, 60 Hz 12 V DC, 2.0 A (4.0 A at the peak)
DSR-20P:	220 – 240 V AC, 50 Hz 12 V DC, 2.0 A (4.0 A at the peak)
Power consumption	
DSR-20:	0.45 A, 120 V AC, 60 Hz
DSR-20P:	0.35 A, 220 – 240 V AC, 50 Hz (during playback)
Peak inrush current	
DSR-20P:	Hot switching inrush current, measured in accordance with European standard EN55103-1: 9A (230V)
Operating temperature	5°C to 40°C (41°F to 104°F)
Storage temperature	-20°C to +60°C (-4°F to +140°F)
Dimensions	Approx. 212 × 98 × 392 mm (8 3/8 × 3 7/8 × 15 1/2 inches) (w/h/d, including projecting parts and controls)
Mass	Approx. 5 kg (11 lb.)
Supplied accessories	Remote commander (1) Size AA (R6) batteries (2) AC power cord (1) Cleaning cassette (1)

Design and specifications are subject to change without notice.

Compatibility of DVCAM and DV Format

DVCAM format is developed as a more reliable and higher end format than consumer DV format. Here are explained about DVCAM and DV formats: the differences, compatibility, and limitations on editing.

Differences between DVCAM and DV format

Item	DVCAM	DV
Track pitch	15µm	10µm
Audio sampling frequency	12bit: 32kHz 16bit: 48kHz	12bit: 32kHz 16bit: 32kHz, 44.1kHz, 48kHz
Audio recording mode ¹⁾	Lock mode	Unlock mode
Time mode	Drop frame system (DSR-20 only) or Non-drop frame system	Drop frame system only

- 1) There are two modes for audio recording, Lock mode and Unlock mode. In Lock mode, the sampling frequencies of audio and video are synchronized. In Unlock mode, which consumer DV format adopts, the two sampling frequencies are independent. Therefore, lock mode is more effective than unlock mode in digital processing and smooth transition during audio editing.

DVCAM and DV cassettes

Both DVCAM and DV cassettes can be used on DVCAM or DV video equipment. The recording format of picture is defined according to recorder's format as described below.

Recorder's format	Cassette's format	Recording format
DVCAM	DVCAM DV	DVCAM
DV	DVCAM DV	DV

- This digital videocassette recorder complies with DVCAM format. Though DV cassettes can be used for recording, we recommend you to use DVCAM cassettes to get the most out of high reliability of DVCAM format.
- The recording time of DV cassettes is 2/3 shorter than that indicated on the DV cassettes.

Compatibility on playback

Some tapes cannot be played back on DVCAM or DV video equipment.

Tape	On DV video equipment	On DVCAM video equipment
DV-formatted	Can be played back	Can be played back (only when recorded in SP mode)
DVCAM-formatted	Some DV video equipment may be able to play back a DVCAM-formatted tape.	Can be played back

Compatibility of DVCAM and DV format

Compatibility on editing using DV connection

When this digital video cassette recorder is connected to other DVCAM or DV video equipment using DV connectors, the recording format of edited tapes is defined according to recorder's format as described below.

Source tape	Player's format	Recorder's format	Recorded format
DV-formatted ¹⁾	DVCAM	DVCAM DV	DVCAM ²⁾ DV
DV-formatted	DV	DVCAM DV	DVCAM ²⁾ DV
DVCAM-formatted ³⁾	DVCAM	DVCAM DV	DVCAM DV ⁴⁾
DVCAM-formatted ³⁾	DV ⁵⁾	DVCAM DV	DVCAM ⁶⁾ DV ⁴⁾

- 1) DV-formatted tapes recorded in SP mode only can be used as source tapes.
- 2) When you copy a DV-formatted tape using DVCAM video equipment, the recorded format of the copied tape is the following DVCAM format.
 - Audio recording mode of the copied tape is unlock mode.
 - Time code of the copied tape is partly inaccurate.
- 3) If you use the DVCAM-formatted tape as described in 2) above, audio recording mode of the recorded tape is unlock mode and time code is partly inaccurate.
- 4) Audio recording mode of the edited tape is lock mode.
- 5) Some DV video equipment may be able to play back a DVCAM-formatted tape. Even if the tape is played back, contents of the playback cannot be guaranteed.
- 6) Depending on signal conditions of the source tape, you may not be able to edit the tape using DV connection.

Limitations on editing

You will find the following limitations when editing.

- Due to the difference of a track pitch, you cannot record or edit on DV-formatted tapes using DVCAM video equipment.
- Depending on signal conditions, you may not be able to record or edit on DVCAM-formatted tapes. In these cases, copy the tape again using audio/video jacks.

Audio recording mode

In the DVCAM format, the sound is recorded in either 16bit (Fs48k) or 12bit (Fs32k) mode.

Component signal

A video signal consisting of a luminance signal (Y) and two chrominance signals (R-Y, B-Y).

Composite signal

A composite video signal containing video, burst and sync signals.

Condensation

Condensation of moisture on the tape transport mechanisms of VCRs including the head drum. If moisture condenses on the head drum, the tape adheres to the drum and causes malfunction.

Drop frame mode

In NTSC format, the actual number of frames per second is approximately 29.97, while that for SMPTE time code is specified as 30. Drop frame mode is a mode in which time code is advanced in such a way that the difference in frame value between real time and time code is corrected. In this mode, two frames are skipped at the beginning of each minute, except for every tenth minute, so that the frame value for time code matches that for real time. *See also* "Non-drop frame mode".

EE mode

EE is an abbreviation of "Electric to Electric". Video and audio signals are supplied to the VCR's internal circuits, but not to the recording heads.

Loading

When being loaded, the tape is pulled out of the cassette case and threaded along the specified tape path and wrapped round the drum to be ready for recording or playback. Generally, this is done automatically when you place the cassette at the cassette entrance of the VCR. Also called threading.

Non-drop frame mode

A mode of advancing time code in such a way that the difference in frame value between real time and time code is neglected. Using this mode produces a difference of approximately 86 seconds per day between real time and time code, which may cause problems when editing programs in units of seconds using the number of frames as a reference.

Reference video signal

A video signal consisting of a sync signal or sync and burst signals, used as a reference.

Superimpose

To put a set of characters onto a picture so that both can be seen at the same time.

Sync signal

A reference signal consisting of vertical and horizontal sync signals used for synchronizing the scanning patterns of the video camera and the monitor.

Threading

See "Loading".

Time code

Signals recorded on the tape to supply information on tape position such as the hour, minute, second and frame, to assist in setting edit points or searching for particular scenes. This VCR can cope with both DF (Drop Frame) and NDF (Non Drop Frame).

On this VCR, the time code is recorded sequentially from "00:00:00:00," from the beginning of the tape. However, if there is a blank section on the tape, time code is reset and recorded from "00:00:00:00" again from the section just after the blank section. If the time codes are out of sequence, you may not be able to execute correct editing.

Unloading

When being unloaded, the tape is put into the cassette case from the tape path of the VCR. Generally, this is done automatically when you press the EJECT button. Also called unthreading.

Unthreading

See "Unloading".

12bit (Fs32k) mode

In the DVCAM format, the 12bit (Fs32k) mode separates the audio area into 2 parts. You can record two kinds of audio, stereo 1 and stereo 2.

16bit (Fs48k) mode

In the DVCAM format, the 16bit (Fs48k) mode uses the whole audio area to record one stereo track. You can get higher sound quality.

A, B

- AC timer 23, 32
- AC timer recording 32
- Audio recording mode 7, 34
- Auto repeat 23

C

- Camcorder data 22
- Cassette memory 4, 21
- Cleaning 37
- Clock 35
- Command mode 35

D, E

- Date search 19
- Drop Frame 43
- Duplicate 30
- DV
 - cassette 41
 - format 41
 - jack 11, 14, 25
- DVCAM
 - cassette 4, 41
 - format 2, 41

F, G, H

- Fs32k 43
- Fs48k 43

I, J, K

- i.LINK 11
- Index search 19

L

- LANC jack 11, 15, 26
- Lock mode 41

M

- Menu 34
- Mini-DVCAM cassette 4

N, O

- Non Drop Frame 43

P, Q

- Photo search 19
- Playback
 - at various speeds 18
 - frame by frame 18

R

- Reference video signal 43
- Remaining time 9
- Remote commander 12

S

- Searching using index function 19
- SIRCS 3, 11
- Standard DVCAM cassette 4

T

- Tape counter 7, 9
- Time code 43

U, V, W, X, Y, Z

- Unlock mode 41
- Usable cassette 4

Pour le DSR-20P

AVERTISSEMENT

Pour éviter tout risque d'incendie ou d'électrocution, ne pas exposer cet appareil à la pluie ou à l'humidité.

Pour éviter tout choc électrique, ne pas ouvrir l'appareil. Confier l'entretien de cet appareil à un personnel qualifié uniquement.

Pour les clients européens

Ce produit portant la marque CE est conforme à la fois à la Directive sur la compatibilité électromagnétique (EMC) (89/336/CEE) et à la Directive sur les basses tensions (73/23/CEE) émises par la Commission de la Communauté européenne.

La conformité à ces directives implique la conformité aux normes européennes suivantes:

- EN60065: Sécurité des produits
- EN55103-1: Interférences électromagnétiques (émission)
- EN55103-2: Sensibilité électromagnétique (immunité)

Ce produit est prévu pour être utilisé dans les environnements électromagnétiques suivants:

E1 (résidentiel), E2 (commercial et industrie légère), E3 (urbain extérieur) et E4 (environnement EMC contrôlé ex. studio de télévision).

Précautions

Sécurité

- Cet appareil fonctionne sur une tension de 220 - 240 V CA, 50 Hz. Vérifiez que la tension de fonctionnement de cet appareil est identique à la tension d'alimentation locale.
- Si un objet pénètre à l'intérieur de l'appareil, débranchez-le et faites-le vérifier par un personnel qualifié avant de le remettre en service.
- L'appareil est toujours sous tension tant qu'il reste branché à la prise secteur, même si l'appareil est éteint.
- Débranchez l'appareil de la prise murale si vous comptez ne pas l'utiliser pendant une période prolongée. Pour débrancher le cordon, saisissez la fiche et non pas le cordon proprement dit.

Installation

- Cet appareil est équipé d'un ventilateur à l'arrière. N'insérez pas d'objets et ne touchez pas le ventilateur pendant son fonctionnement.
- Pour prévenir toute surchauffe interne, placez l'appareil à 5 cm des murs et époussetez-le régulièrement.
- Ne placez pas l'appareil sur des surfaces (tapis, couvertures, etc.) ou à proximité de matières (rideaux, tentures) susceptibles d'obstruer les orifices de ventilation.
- Ne placez pas l'appareil à proximité de sources de chaleur telles que des radiateurs ou des bouches d'air chaud ou dans un endroit exposé au rayonnement direct du soleil, à de la poussière, à des vibrations mécaniques ou à des chocs.

- L'appareil n'est pas conçu comme un système portable. Installez-le correctement sur une surface plane et stable. Couché sur le côté ou posé sur une surface inclinée à plus de 30 degrés, l'appareil risque de subir des dommages.
- Gardez l'appareil et les cassettes à l'écart d'appareils avec des aimants puissants comme les fours à micro-ondes ou de grands haut-parleurs.
- Ne placez pas d'objets lourds sur l'appareil.
- Si l'appareil est transporté sans transition d'un endroit froid à un endroit chaud, de la condensation peut se former à l'intérieur du magnétoscope et endommager la tête vidéo et la bande. Lorsque vous installez l'appareil pour la première fois ou lorsque vous le déplacez d'un endroit froid vers un endroit chaud, attendez entre une et deux heures avant de le faire fonctionner.

Informations

Systèmes couleur compatibles

Le DSR-20P est conçu pour un enregistrement/lecture au moyen du système couleur PAL. L'enregistrement de sources vidéo reposant sur d'autres systèmes couleur ne peut pas être garanti.

Attention

Les programmes télévisés, les films, les cassettes vidéo et autres matériaux peuvent être protégés par des droits d'auteur. Tout enregistrement illicite de tel matériel peut être contraire aux réglementations sur les droits d'auteur. De même, l'utilisation de cet enregistreur pour des émissions de télévision câblée peut nécessiter l'autorisation du propriétaire de l'émission de télévision câblée et/ou du programme.

Table des matières

Chapitre 1

Aperçu

Caractéristiques	2
Remarques à propos des cassettes vidéo	4
Remarques sur l'enregistrement/lecture	5
Emplacement des pièces et commandes	6

Chapitre 2

Lecture et enregistrement

Lecture	14
Raccordements pour la lecture	14
Réglages pour la lecture	16
Procédure de lecture	17
Fonctions de lecture	18
Enregistrement	25
Raccordements pour l'enregistrement	25
Réglages pour l'enregistrement	27
Procédure d'enregistrement	29
Raccordement d'autres appareils	33

Chapitre 3

Réglages du menu

Modification des réglages de menu	34
Modification des réglages du menu SET UP MENU	34
Contenu du menu	35

Chapitre 4

Entretien et guide de dépannage

Messages d'alarme	36
Remarques sur l'utilisation	37

Annexe

Spécifications	40
Compatibilité du format DVCAM et DV	41
Glossaire	43
Index	Au dos de la couverture

Le DSR-20/20P est un magnétoscope numérique de 1/4 de pouce utilisant le format d'enregistrement numérique DVCAM. Ce système permet d'obtenir des images stables et de haute qualité grâce au traitement numérique des signaux vidéo, qui sont séparés en signaux de différence de couleur et en signaux de luminance (vidéo composante). L'appareil est équipé d'une interface analogique à part entière supportant les systèmes hybrides qui combinent les appareils analogiques conventionnels aux équipements numériques.

Les caractéristiques principales du DSR-20/20P sont décrites ci-dessous.

Format DVCAM

Le format DVCAM repose sur le format commercial DV, qui recourt au format numérique composante 4:1:1, et offre un format d'enregistrement numérique de 1/4 de pouce pour usage professionnel.

Image de haute qualité et de haute stabilité

Les signaux vidéo sont séparés en signaux de différence de couleur et en signaux de luminance qui sont codés et comprimés à 1/5ème de leur taille avant d'être enregistrés afin de garantir une qualité d'image stable et superbe.

Etant donné que l'enregistrement est numérique, la duplication multi-génération peut s'effectuer pratiquement sans détérioration de la qualité.

Large entraxe de piste

L'entraxe de la piste d'enregistrement est de 15 µm, soit 50 pour cents de plus que le format DV et son entraxe de piste de 10 µm. Grâce à cette caractéristique, le format DVCAM répond amplement aux exigences de fiabilité et de précision posées par le secteur professionnel du montage.

Bande son numérique PCM de haute qualité

L'enregistrement PCM assure une large plage dynamique et un rapport signal/bruit élevé, ce qui contribue à améliorer la qualité du son.

Il existe deux modes d'enregistrement: le mode à 2 canaux (échantillonnage de 48 kHz et quantification 16 bits), qui offre une qualité sonore équivalente à celle du format DAT (Digital Audio Tape) ou le mode à 4 canaux (échantillonnage 32 kHz et quantification 12 bits).

Compatibilité de lecture avec le format DV

Une cassette DV enregistrée sur un magnétoscope au format DV peut être reproduite sur cet appareil. (Les cassettes enregistrées en mode LP ne peuvent pas être reproduites.)

Choix entre deux tailles de cassettes

L'appareil accepte les cassettes DVCAM de taille standard et de taille mini.

- En fonction de la taille de la cassette, elle change automatiquement la position de la plaque d'entraînement de la bobine.
- Les temps d'enregistrement/lecture maximum sont de 184 minutes pour les cassettes de taille standard et de 40 minutes pour les minicassettes.

Autres caractéristiques

Taille compacte

L'appareil est proposé dans un taille compacte permettant son utilisation lors de manifestations ou de noces. L'appareil est également équipé de fonctions de base qui sont nécessaires pour les enregistreurs et lecteurs de vidéocassettes utilisés dans les systèmes numériques de montage vidéo.

Connecteur DC IN

L'appareil est doté d'un connecteur DC IN permettant son utilisation en cas d'absence d'alimentation secteur.

Système de menu pour une fonctionnalité accrue et réglages d'exploitation

Cet appareil comprend un système de menu facilitant ses nombreuses fonctions et le paramétrage de ses commandes.

Fonction de surimpression

Le code temporel, les indications de mode d'exploitation, menus, messages d'erreur et autres données de texte peuvent apparaître en surimpression et sortir sous forme de signaux vidéo composite analogiques.

Télécommande

L'appareil peut se commander au moyen d'une télécommande au départ d'un pupitre de montage qui supporte l'interface RS-232C ou à partir d'un contrôleur à distance de type SIRCS¹⁾ tel que les appareils DSRM-10 ou SVRM-100A en option.

1) SIRCS

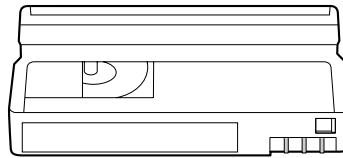
Le système SIRCS possède la même fonction que le système CONTROL S.

Remarques à propos des cassettes vidéo

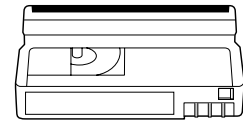
Cassettes utilisables

Ce magnétoSCOPE n'accepte que des cassettes DVCAM standard ou des minicassettes DVCAM.

Le PDV-184ME peut enregistrer des programmes pendant 184 minutes et le PDVM-40ME offre 40 minutes d'enregistrement. Les cassettes DVCAM utilisées avec ce magnétoSCOPE numérique vous permettront d'obtenir des images de la meilleure qualité. Il est possible que d'autres cassettes n'offrent pas une aussi bonne qualité. Nous vous recommandons d'utiliser des cassettes DVCAM pour offrir la meilleure qualité d'enregistrement à vos événements uniques.



Cassette DVCAM standard



Minicassette DVCAM

Mémoire de la cassette

La mémoire de la cassette est une caractéristique optionnelle équipant certaines cassettes DVCAM standard et minicassettes DVCAM. Lorsque vous enregistrez un programme, la date et l'heure d'enregistrement ainsi que la position du programme sur la cassette sont mémorisés dans la cassette de sorte que vous puissiez localiser rapidement le programme ultérieurement. **CII 16K** indique que vous pouvez utiliser des cassettes pouvant enregistrer jusqu'à 16 kbits de données. Ce magnétoSCOPE vous permet d'utiliser des cassettes allant jusqu'à 16 kbits de données.

Pour protéger l'enregistrement

Pour éviter tout risque d'effacement accidentel d'un enregistrement, faites coulisser le sélecteur sur la cassette pour faire apparaître la portion rouge. Pour enregistrer sur une cassette, faites coulisser le sélecteur pour dissimuler la portion rouge.

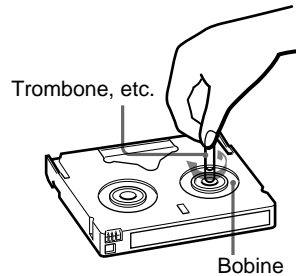


Remarque

DVCAM, **DX**, **Mini DX** et **CII** sont des marques de commerce.

Vérification du mou de la bande

A l'aide d'un trombone ou d'un objet similaire, faites tourner la bobine délicatement dans le sens indiqué par la flèche. Si la bobine ne bouge pas, c'est qu'il n'y a pas de mou dans la bande. Introduisez la cassette dans le compartiment à cassette et sortez-la après environ 10 secondes.



Remarques sur l'enregistrement/lecture

Précautions sur les droits d'auteur

A propos de l'enregistrement

Vous ne pouvez pas enregistrer de matériel comportant des signaux de protection des droits d'auteur sur ce magnéto. Si vous lancez l'enregistrement de signaux vidéo et audio, un message d'avertissement apparaît sur l'écran du moniteur et le magnéto s'arrête.

A propos de la lecture

Lorsque vous reproduisez des enregistrements comportant des signaux de protection des droits d'auteur sur ce magnéto, il est possible que vous ne puissiez pas les copier sur d'autres appareils.

Restrictions dues à la différence de format

Ce magnéto peut enregistrer, reproduire et effectuer le montage de cassettes enregistrées dans le format DVCAM. Il peut également reproduire les cassettes enregistrées dans le format DV (mode SP). Toutefois, en raison de la différence de format, il se peut que vous ne puissiez pas enregistrer ou effectuer le montage de certaines cassettes affectées par les conditions d'enregistrement de la cassette (p.ex., une cassette initialement enregistrée dans le format DV est dupliquée dans le format DVCAM.) Pour plus de détails, reportez-vous à "Compatibilité du format DVCAM et DV" à la page 41 .

Pas de compensation pour le contenu de l'enregistrement

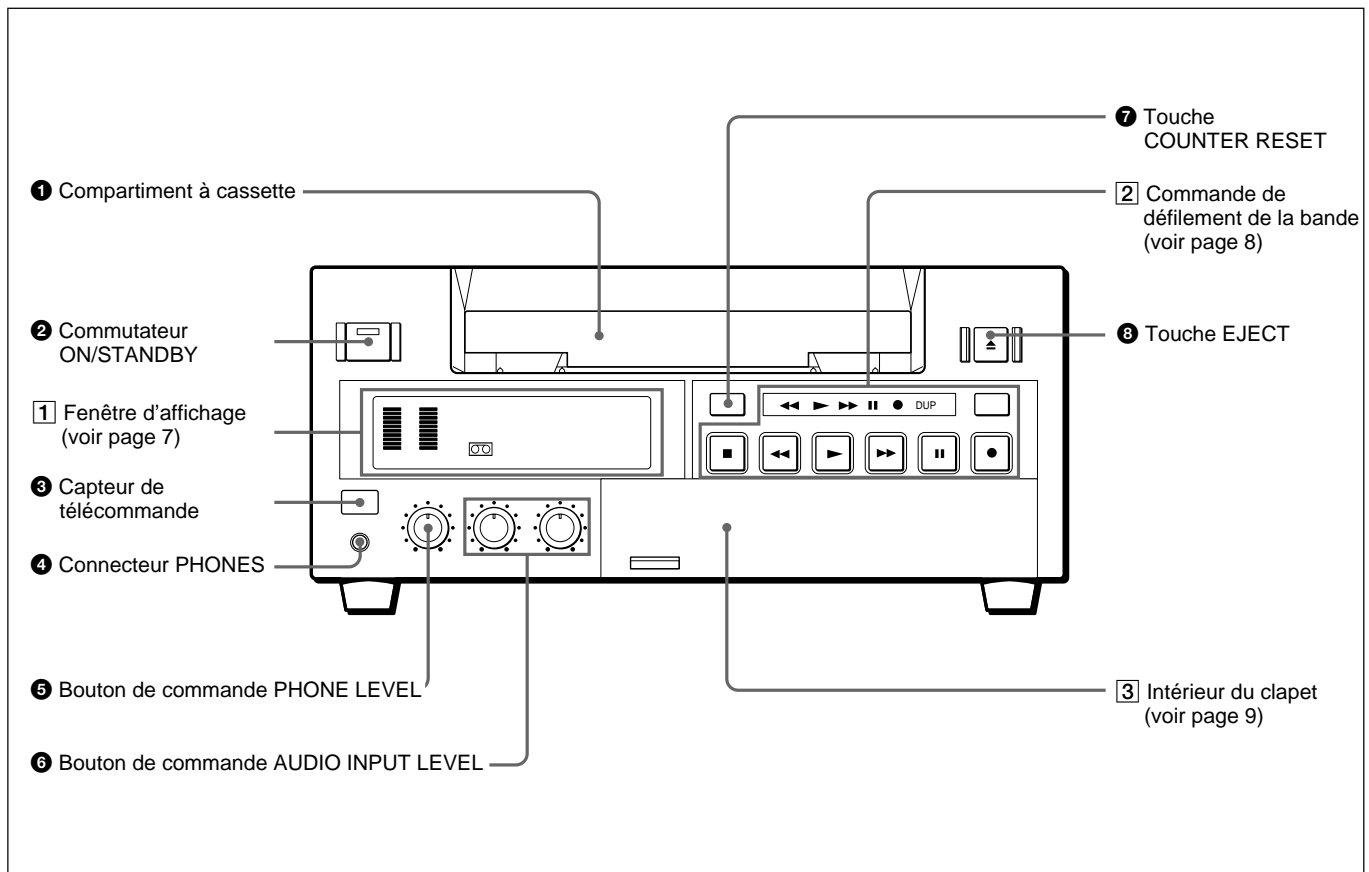
Le contenu de l'enregistrement ne peut pas être compensé si l'enregistrement ou la lecture n'a pas lieu en raison d'un dysfonctionnement du magnéto, de la cassette vidéo, etc.

Remarque

Vous ne pouvez pas reproduire sur ce magnéto une cassette DVCAM enregistrée dans d'autres systèmes couleur.

Emplacement des pièces et commandes

Panneau avant



1 Compartiment à cassette

Accepte les vidéocassettes numériques DVCAM de taille standard ou mini. Lorsque vous utilisez une minicassette, introduisez-la au centre du compartiment. *Pour plus de détails sur les cassettes utilisables, reportez-vous à la page 4.*

2 Commutateur ON/STANDBY

3 Capteur de télécommande

4 Connecteur PHONES (miniprise stéréo)

Branchez des écouteurs stéréo pour contrôler l'enregistrement ou la lecture au moyen des écouteurs. Le signal audio que vous désirez contrôler peut être sélectionné au moyen du commutateur AUDIO MONITOR à l'intérieur du clapet (3).

5 Bouton de commande PHONE LEVEL

Commande le volume des écouteurs raccordés au connecteur PHONES.

6 Boutons de commande AUDIO INPUT LEVEL

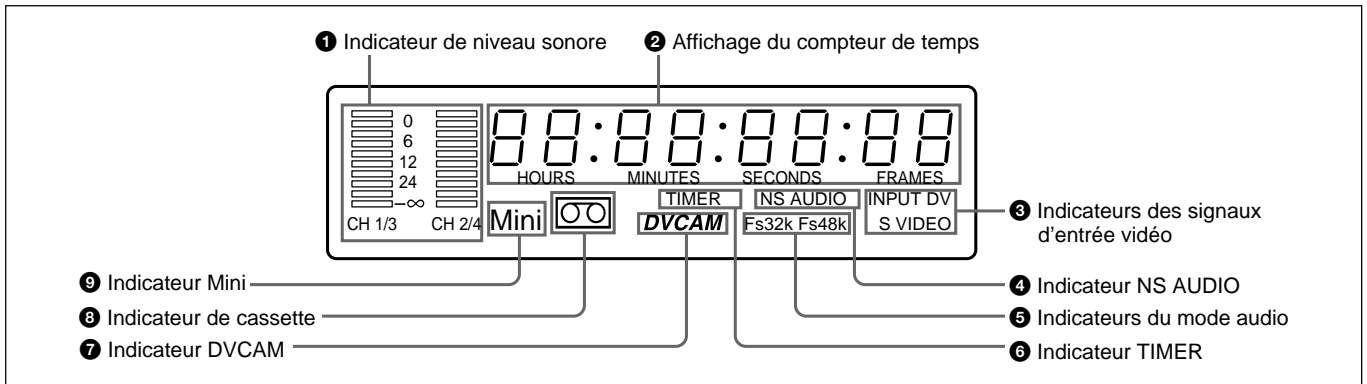
Lors de l'enregistrement, vous pouvez utiliser ces boutons pour régler le niveau d'entrée du son pour le canal CH-1 et le canal CH-2 respectivement.

7 Touche COUNTER RESET

Appuyez sur cette touche pour remettre le compteur de bande de la fenêtre d'affichage sur "0:00:00 (0H00M00S)". Cette touche ne fonctionne pas lors de l'affichage du code temporel ou du temps restant.

8 Touche EJECT

1 Fenêtre d'affichage



1 Indicateur de niveau sonore

Indique le niveau d'enregistrement en cours d'enregistrement ou en mode EE et le niveau de lecture en cours de lecture. Lorsque le niveau sonore dépasse 0 dB, l'indicateur rouge s'allume.

Remarque

Si vous reproduisez une cassette dont le signal audio n'a été enregistré que sur le canal 2, il se peut que l'indicateur de niveau audio pour CH2/4 ne fonctionne pas.

2 Affichage du compteur de temps

Indique ce qui suit:

- Données temporelles: valeur de comptage du compteur de temps, code temporel et temps restant
- Messages d'alarme (voir page 36)
- Messages de la fonction d'autodiagnostic (voir page 39)

Remarques

- Sur le DSR-20P: Le code temporel est uniquement réglé en mode de non-compensation en temps réel.
- Le code temporel est indiqué comme suit:
Compensation temps réel: "00:00.00:00"
("00:00,00:00" sur le moniteur)(DSR-20 uniquement)
Non-compensation temps réel: "00:00:00:00"

3 Indicateurs des signaux d'entrée vidéo

Indique les signaux d'entrée vidéo actuellement sélectionnés. INPUT VIDEO, INPUT S VIDEO ou INPUT DV s'allume.

4 Indicateur NS AUDIO

S'allume lorsque le magnéscope reproduit une cassette dont l'enregistrement audio a été réalisé en

mode de déverrouillage ou lorsque les signaux du mode de déverrouillage sont entrés via les bornes DV. Pour plus de détails sur le mode de déverrouillage, reportez-vous à la page 41.

5 Indicateurs du mode audio

Indique le mode audio en cours de lecture ou d'enregistrement ou en mode EE.

- En cours de lecture, il indique le mode audio dans lequel la cassette a été enregistrée.
- En cours d'enregistrement ou en mode EE, ils indiquent le mode d'enregistrement audio actuellement sélectionné. Vous pouvez sélectionner le mode d'enregistrement audio en réglant le menu "AUDIO MODE" (voir page 34).

Fs32k: S'allume lors de la reproduction de cassettes enregistrées en mode 4 canaux ou lors de l'enregistrement d'une cassette en mode 4 canaux.

Fs48k: S'allume lors de la reproduction de cassettes enregistrées en mode 2 canaux ou lors de l'enregistrement d'une cassette en mode 2 canaux.

Remarque

Lors de l'enregistrement en mode 4 canaux sur ce magnéscope, les signaux audio sont enregistrés uniquement dans les canaux 1/2.

6 Indicateur TIMER

S'allume lors du réglage du commutateur TIMER sur REPEAT ou REC.

7 Indicateur DVCAM

S'allume lors de l'utilisation de cassettes formatées DVCAM ou lors de l'enregistrement d'une cassette en format DVCAM.

1) Mode EE

"EE" signifie "Électrique à électrique". Dans ce mode, les signaux vidéo et audio qui sont transmis aux circuits d'enregistrement du magnéscope ne passent pas par un circuit de conversion magnétique. En revanche, ils sont transmis via des circuits électriques uniquement. Ce mode est utilisé pour vérifier les signaux d'entrée et régler les niveaux d'entrée.

Emplacement des pièces et commandes

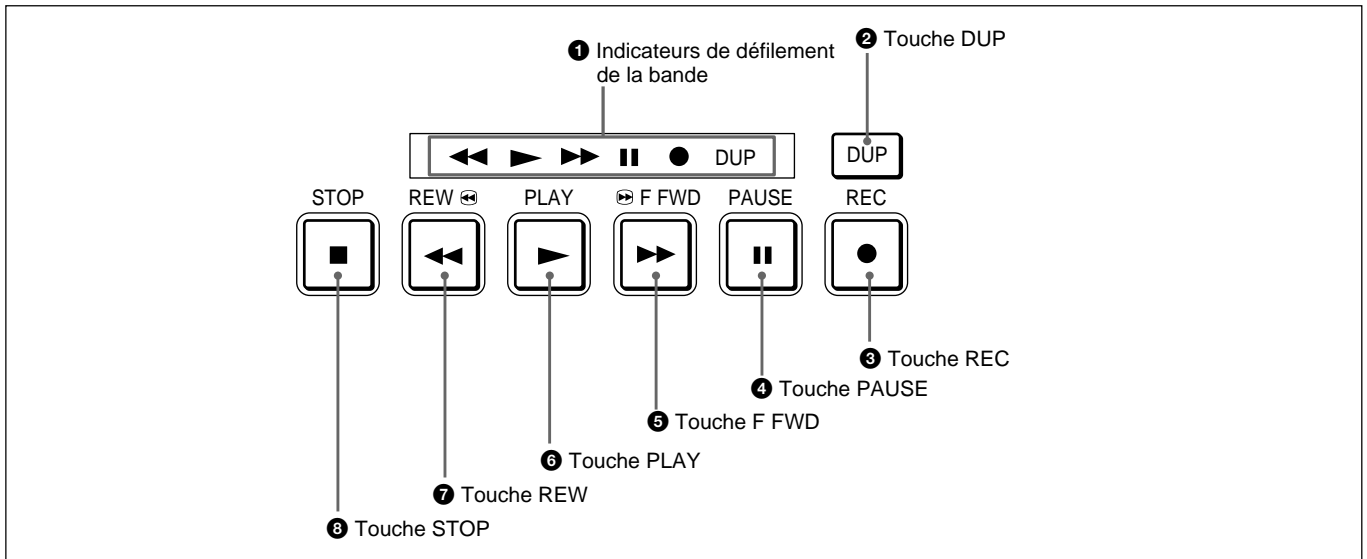
8 Indicateur de cassette

S'allume lors de l'introduction d'une vidéocassette numérique dans ce magnéto. Il clignote lors de l'éjection de la cassette.

9 Indicateur Mini

S'allume lors de l'introduction d'une vidéocassette numérique de taille mini.

2 Commande de défilement de la bande



1 Indicateur de défilement de la bande

2 Touche DUP (duplication)

Utilisez cette touche pour que la cassette de travail comprenne les mêmes codes temporels que la cassette source.

Pour plus de détails sur la duplication, reportez-vous à la page 30.

3 Touche REC (enregistrement)

Lorsque vous appuyez sur la touche PLAY tout en maintenant cette touche enfoncée, l'indicateur s'allume et l'enregistrement commence. Pour mettre le magnéto. en mode de pause d'enregistrement, appuyez sur cette touche tout en maintenant la touche PAUSE enfoncée.

4 Touche PAUSE

Lorsque vous appuyez sur cette touche, l'indicateur s'allume et le magnéto. se met en mode de pause.

5 Touche F FWD (avance rapide)

Lorsque vous appuyez sur cette touche, l'indicateur s'allume et la cassette avance rapidement. En cours d'avance rapide, l'image n'apparaît pas sur le moniteur (vous pouvez vous reporter à l'image du mode EE en cours d'avance rapide).

Pour effectuer une recherche vers l'avant, appuyez de nouveau sur cette touche en cours d'avance rapide.

6 Touche PLAY

Lorsque vous appuyez sur cette touche, l'indicateur s'allume et la lecture commence.

Si vous appuyez sur cette touche tout en maintenant la touche REW enfoncée en mode d'arrêt, la cassette est rebobinée jusqu'au début et la lecture commence automatiquement (en cours de rebobinage, l'indicateur REW s'allume et l'indicateur PLAY clignote).

7 Touche REW (rebobinage)

Lorsque vous appuyez sur cette touche, l'indicateur s'allume et la cassette commence le rebobinage. En cours de rebobinage, l'image n'apparaît pas sur l'écran du moniteur (vous pouvez vous reporter à l'image du mode EE en cours de rebobinage).

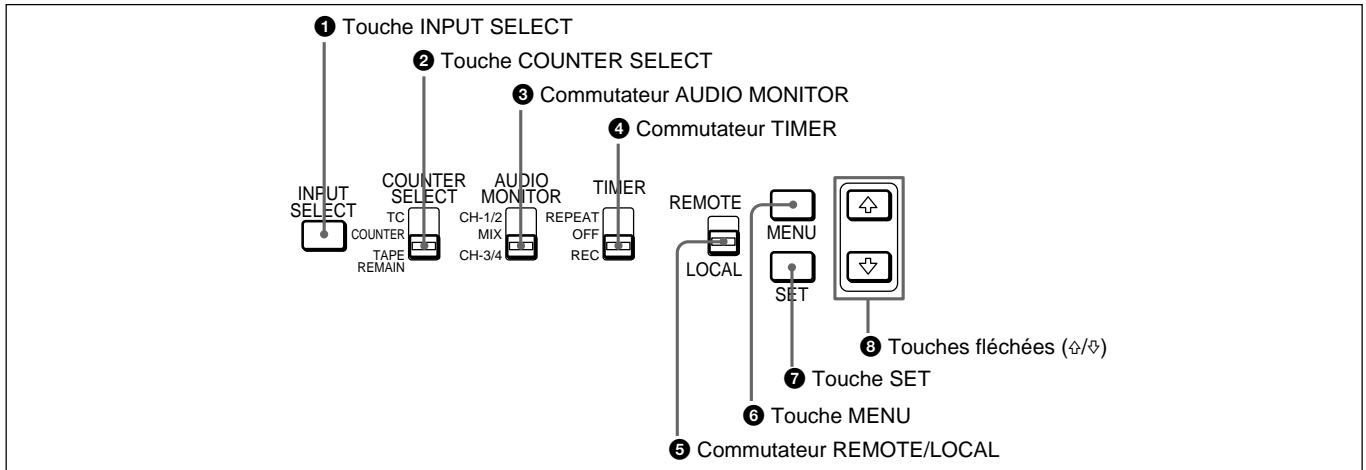
Pour effectuer une recherche vers l'arrière, appuyez de nouveau sur cette touche en cours de rebobinage.

Si vous appuyez sur la touche PLAY tout en maintenant cette touche enfoncée en mode d'arrêt, la cassette est rebobinée jusqu'au début et la lecture commence automatiquement (en cours de rebobinage, l'indicateur REW s'allume et l'indicateur PLAY clignote).

8 Touche STOP

Appuyez sur cette touche pour arrêter le défilement de la bande.

3 Intérieur du clapet



1 Touche INPUT SELECT

Sélectionnez les signaux d'entrée vidéo. Chaque pression sur cette touche permute entre trois options de signal vidéo: vidéo, S-vidéo et entrée DV. Lorsque vous sélectionnez l'une de ces options, l'indicateur correspondant s'allume dans la fenêtre d'affichage.

2 Commutateur COUNTER SELECT

Sélectionnez le type de données temporelles dans la fenêtre d'affichage du compteur de temps.

TC: Code temporel

COUNTER: Valeur de comptage du compteur de temps

TAPE REMAIN: Temps restant

3 Commutateur AUDIO MONITOR

Sert à sélectionner la piste audio que vous désirez écouter lors de la reproduction d'une cassette enregistrée en mode 4 canaux (Fs32k).

CH-1/2: Canaux 1/2 uniquement

MIX: Canaux 1/2 et canaux 3/4 (mix)

CH-3/4: Canaux 3/4 uniquement

4 Commutateur TIMER

Sert à sélectionner l'enregistrement par programmeur ou la répétition automatique à l'aide d'un programmeur externe AC (non fourni).

REPEAT: Lorsque ce magnéto est sous tension, une cassette revient à son début automatiquement et la lecture commence. Le magnéto répète la lecture du début jusqu'au premier index (s'il n'y a pas d'index sur la cassette, jusqu'à la portion non enregistrée; s'il n'y a pas de portion non enregistrée, jusqu'à la fin de la cassette).

OFF: Le programmeur est désactivé.

REC: Lorsque le magnéto est hors tension, l'enregistrement commence.

5 Commutateur REMOTE/LOCAL

Sélectionne si l'appareil est commandé depuis le panneau avant ou par un appareil externe (à distance).

REMOTE: L'appareil est commandé au départ d'un pupitre de montage raccordé au connecteur REMOTE du panneau arrière. Aucune opération n'est acceptée du panneau avant, sauf les commutateurs coulissants.

LOCAL: L'appareil est commandé au départ de son panneau avant, d'un appareil externe raccordé à la prise LANC du panneau arrière ou d'un contrôleur à distance de type SIRCS raccordé à la prise CONTROL S du panneau arrière.

6 Touche MENU

Appuyez sur cette touche pour afficher le menu sur l'écran du moniteur. Appuyez de nouveau pour revenir de l'affichage du menu à l'affichage normal.

Remarque

Si vous mettez le commutateur REMOTE/LOCAL sur REMOTE lorsque le menu est affiché sur le moniteur, celui-ci revient à l'affichage normal.

Pour savoir comment utiliser le menu, reportez-vous au Chapitre 3 "Réglages du menu".

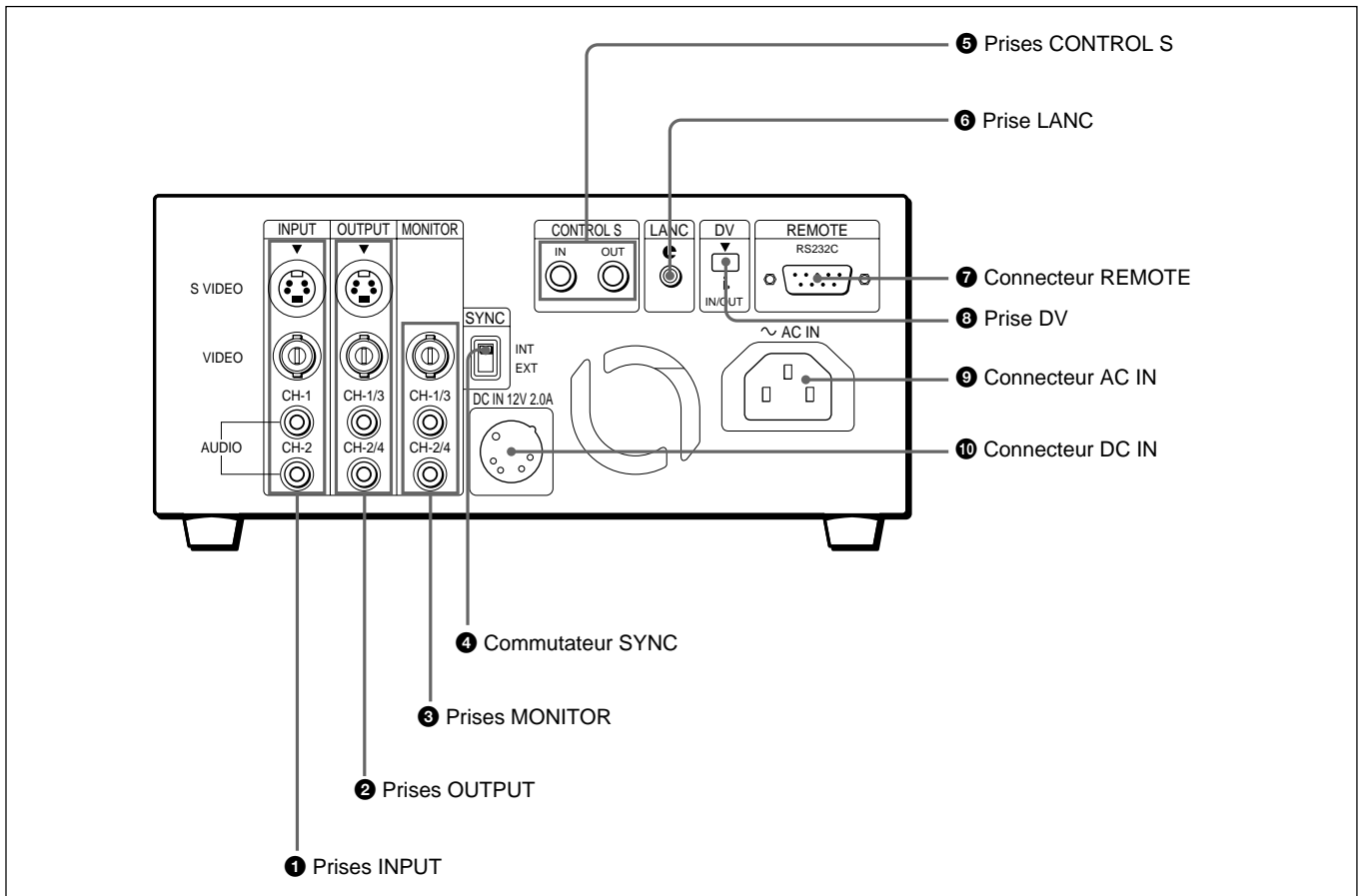
7 Touche SET

Appuyez sur cette touche pour sauvegarder les paramètres du menu sélectionnés.

8 Touches fléchées (↔/↕)

Utilisez ces touches pour vous déplacer parmi les options de menu.

Panneau arrière



1 Prises INPUT

Entrée des signaux vidéo et audio. Pour raccorder un magnétoscope équipé d'une prise VIDEO OUT, utilisez la prise S VIDEO de ce magnétoscope.

2 Prises OUTPUT

Sortie des signaux vidéo et audio. Pour raccorder un magnétoscope équipé d'une prise S VIDEO IN, utilisez la prise S VIDEO de ce magnétoscope.

3 Prises MONITOR

Sortie des signaux vidéo et audio pour la surveillance.

4 Commutateur SYNC

Sélectionne le signal de référence. Le signal vidéo est verrouillé sur V-sync ou H-sync, mais n'est pas verrouillé sur la sous-porteuse. La phase de synchronisation n'est pas ajustée. Le signal vidéo n'est pas verrouillé sur l'entrée DV.

INT: Sélectionne le signal de lecture de ce magnétoscope comme signal de référence.

EXT: Sélectionne le signal vidéo entré par l'appareil externe raccordé à ce magnétoscope comme signal de référence.

Remarques

- Il est possible que l'image et le son soient distordus si:
 - vous réglez le commutateur SYNC pendant la lecture.
 - le signal analogique est entré par les prises INPUT en cours de lecture avec le commutateur SYNC réglé sur EXT.
- Si le commutateur SYNC est réglé sur EXT pendant la lecture, la touche INPUT SELECT est inopérante.

5 Prises CONTROL S

Raccordez une télécommande du système SIRCS de manière à pouvoir exploiter plusieurs magnétoscopes simultanément. Pour commander ce magnétoscope au départ d'un pupitre de montage tel que le DSRM-10 ou SVRM-100A (non fourni), raccordez cet appareil au pupitre de montage via la prise CONTROL S IN. Utilisez la prise CONTROL S OUT lors de la réalisation d'une connexion en cascade.

Remarque

Le système SIRCS possède la même fonction que le système CONTROL S.

6 Prise LANC

Lorsque vous raccordez les prises LANC de ce magnétoscope et l'autre magnétoscope, vous pouvez commander ce magnétoscope (lecteur) à partir de l'autre magnétoscope. La connexion LANC transmet les signaux tels que les signaux de commande, le code temporel et les données du compteur de bande et les données de statut.

Remarques

- L'autre magnétoscope (enregistreur) reçoit les données de code temporel de la prise LANC uniquement lorsque ce magnétoscope (lecteur) est réglé pour indiquer les indications de code temporel.
- Si le commutateur REMOTE/LOCAL est réglé sur REMOTE, la connexion LANC ne transmet pas de signaux.

7 Connecteur REMOTE (9 broches)

Raccordez un pupitre de montage ou un ordinateur avec l'interface RS-232C pour une commande à distance de ce magnétoscope.

Remarques

- Lorsque vous effectuez un montage sur des cassettes en raccordant le FXE-120 ou le FXE-100 et en utilisant ce magnétoscope comme lecteur, mettez le débit en bauds RS-232C des deux appareils sur 19200 bps.
- Lorsque vous effectuez un montage sur des cassettes en raccordant le FXE-120 ou le FXE-100 et en utilisant ce magnétoscope comme enregistreur, utilisez le boîtier d'interface LANC IF-FXE2.

8 Prise DV

La prise DV est compatible avec i.LINK. A utiliser lorsque l'appareil raccordé au magnétoscope dispose d'une prise DV.

Si vous raccordez le magnétoscope et l'autre appareil à l'aide de prises DV, vous pouvez minimiser la détérioration de la qualité d'image pendant la duplication, le montage ou la capture d'images fixes dans un ordinateur par traitement numérique. Pour plus de détails, reportez-vous au mode d'emploi de l'appareil utilisé.

Remarque

i est une marque commerciale de Sony Corporation et indique que ce produit est conforme aux spécifications IEEE1394-1995 et à leurs amendements.

9 Connecteur AC IN

A raccorder à la prise électrique CA au moyen du cordon d'alimentation.

10 Connecteur DC IN

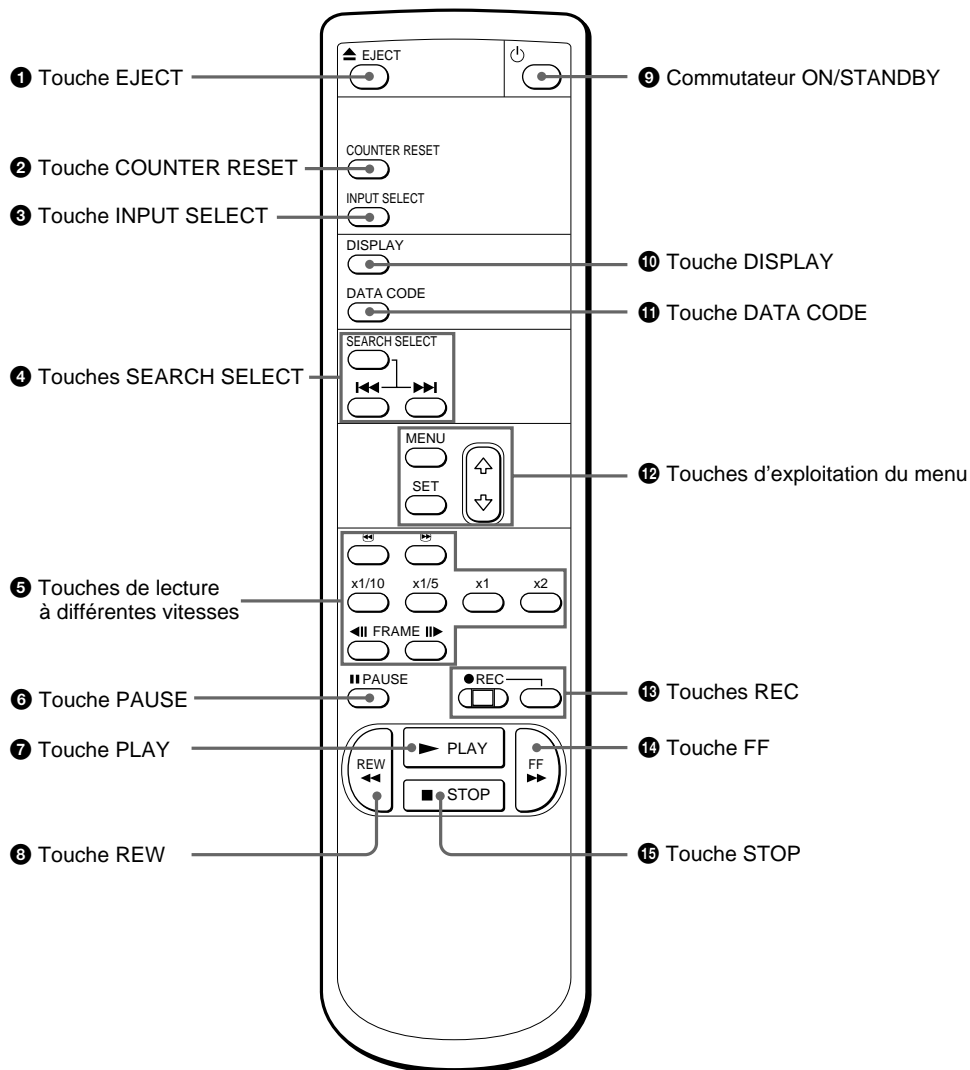
A raccorder à une source de courant continu. Utilisez une source de courant continu dont la tension comprise entre 11 V et 17 V et dont le courant électrique est de 2.0A (4.0A en pointe).

Si l'alimentation (secteur) et l'alimentation CC sont simultanément raccordées au magnétoscope, c'est cette dernière qui est sélectionnée automatiquement.

Remarques

- Si la tension de la source d'alimentation CC (par ex., une batterie) tombe à moins de 11 V, un bip sonore retentit (si l'option BEEP du menu est réglée sur OFF, aucun bip n'est émis) et l'indication "dclo" apparaît dans la fenêtre d'affichage. Remplacez la batterie par une batterie chargée ou retirez-la pour pouvoir utiliser le secteur comme source d'alimentation.
- Si la tension de la source d'alimentation CC (par ex., une batterie) tombe à moins de 10,5 V, un bip sonore retentit (si l'option BEEP du menu est réglée sur OFF, aucun bip n'est émis) et le magnétoscope passe en mode de veille. Comme vous ne pouvez alors pas mettre le magnétoscope sous tension, remplacez la batterie par une batterie chargée ou retirez-la pour pouvoir utiliser le secteur comme source d'alimentation.
Si la tension continue à baisser, un circuit est activé pour protéger la batterie contre une décharge excessive et le courant électrique est coupé. Etant donné que la batterie risque de se décharger de manière excessive si elle reste dans l'appareil, retirez-la.
- Suivant la batterie, il se peut que le magnétoscope passe à nouveau en mode de veille après que le circuit a été activé, mais cela ne signifie par une défaillance du magnétoscope. Retirez la batterie.

Télécommande fournie



1 Touche EJECT

2 Touche COUNTER RESET

3 Touche INPUT SELECT

4 Touches SEARCH SELECT

Appuyez sur ces touches pour rechercher des scènes à l'aide de la fonction d'index.

Pour plus de détails, reportez-vous à "Recherche à l'aide de la fonction d'index" à la page 19.

5 Touches de lecture à différentes vitesses

Touches ◀/▶

Touche × 1/10

Touche × 1/5

Touche × 1

Touche × 2

Touche FRAME ◀II/II▶

Pour plus de détails, reportez-vous à “Lecture à différentes vitesses” à la page 18.

6 Touche PAUSE**7 Touche PLAY****8 Touche REW****9 Commutateur ON/STANDBY****10 Touche DISPLAY**

Appuyez sur cette touche pour voir les indications, telles que le compteur de bande, sur l'écran du moniteur.

11 Touche DATA CODE

Appuyez sur cette touche pour voir les informations relatives à la cassette sur l'écran du moniteur.

Pour plus de détails, reportez-vous à “Affichage des informations de la cassette” à la page 22.

12 Touches d'exploitation du menu

Touche MENU

Touche SET

Touches ↕/↔

13 Touches REC

Lorsque vous appuyez sur ces touches simultanément, l'indicateur s'allume et l'enregistrement commence.

14 Touche FF**15 Touche STOP****Remarque**

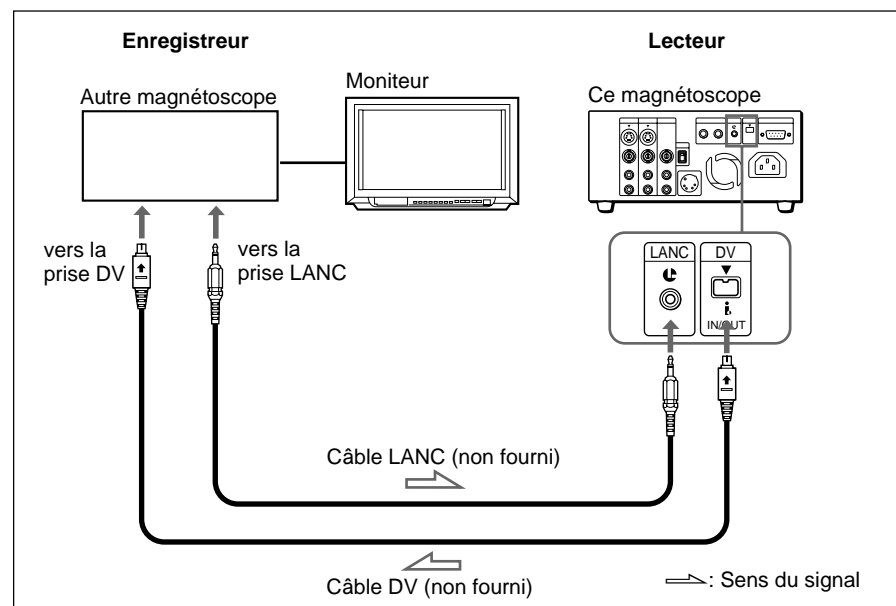
Lors de l'utilisation de la télécommande, mettez REMOTE CONTROL dans le menu sur VTR4 (*voir page 35*). Sinon, vous ne pouvez pas utiliser ce magnétoscope au moyen de la télécommande fournie.

Cette section décrit les connexions, réglages et opérations nécessaires pour effectuer la lecture sur cet appareil. Les mêmes réglages et opérations s'appliquent que vous utilisiez l'appareil au sein d'un système de montage, pour la duplication, ou comme lecteur vidéocassette autonome.

Raccordements pour la lecture

Vers l'appareil vidéo numérique avec connecteur DV

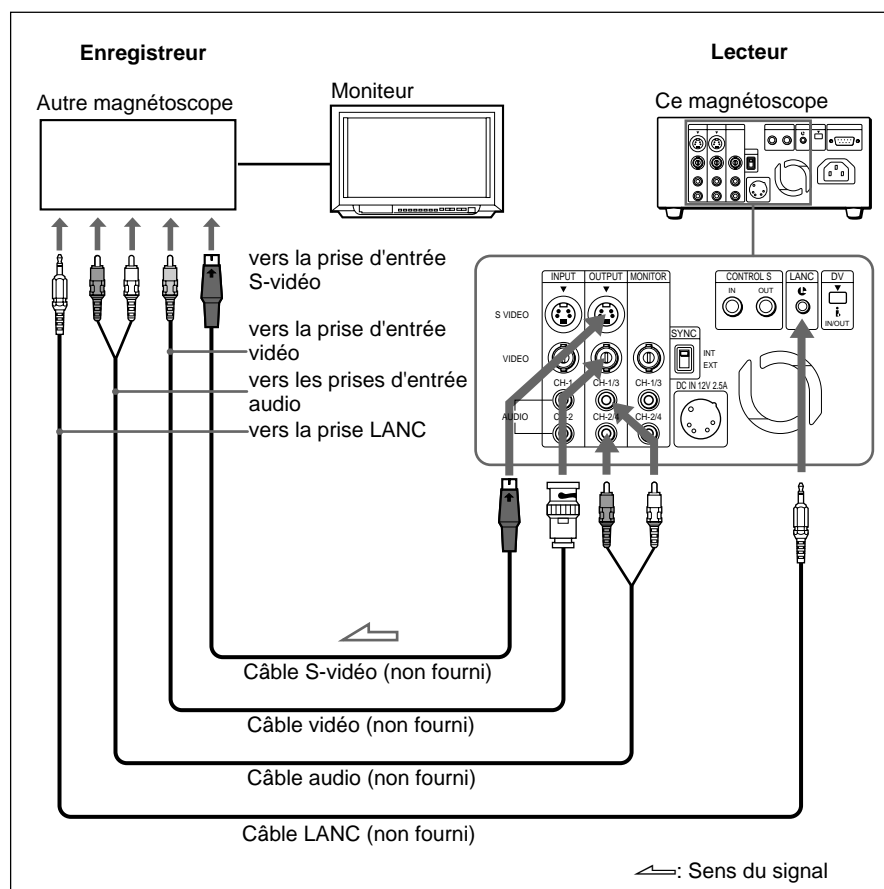
Les signaux vidéo et audio sont envoyés sans dégradation, ce qui permet un montage de haute qualité. Le sens du signal est automatiquement détecté, il ne faut donc pas procéder à des connexions séparées pour l'entrée et la sortie.



Remarques

- Réglez DV EE OUT dans le menu sur OFF (voir page 35).
- Les signaux audio ne sont pas sortis durant la lecture à différentes vitesses.
- Avec la connexion DV, le son est enregistré dans le même mode d'enregistrement audio que celui de la cassette source. Pour enregistrer dans un mode d'enregistrement audio différent de celui de la cassette source, utilisez la connexion LINE à la place.
- Avec la connexion DV, les informations de cassette (date d'enregistrement, données de caméscope, etc.) enregistrées sur la cassette source sont transmises de ce magnéto (lecteur). En conséquence, lorsque vous reproduisez une cassette enregistrée et appuyez sur DATA CODE, les mêmes informations de cassettes enregistrées sur la cassette source s'affichent sur l'écran du moniteur. Toutefois, le contenu de la mémoire de cassette n'est pas transmis. En outre, un nouveau code temporel est enregistré sur la cassette de l'autre magnéto, sauf lors de la copie d'une cassette en mode de duplication.
- En ce qui concerne la connexion LANC, reportez-vous aux "Remarques concernant la connexion LANC" à la page suivante.

Vers l'équipement vidéo sans prise DV



Remarques

- Lorsque vous raccordez les prises de sortie de l'enregistreur aux prises d'entrée de ce magnéto, sélectionnez l'entrée correctement pour empêcher un bruit de ronflement.
- Les signaux distordus (p.ex., lorsqu'ils sont reproduits à une vitesse autre que la normale) ne seront pas enregistrés correctement.
- Les indications affichées sur l'écran du moniteur sont émises uniquement via la prise MONITOR.

Remarques pour la connexion LANC

- La connexion LANC transmet les signaux tels que les signaux de commande, le code temporel, les données de compteur de temps et les données de statut.
- Si l'autre magnéto dispose d'une prise LANC du type DIN à 5 broches, effectuez la connexion au moyen du câble de raccordement Control L VK-810 (non fourni).
- Les prises intitulées CONTROL L ont la même fonction que les prises LANC. Les prises intitulées REMOTE peuvent également avoir la même fonction.
- L'autre magnéto (enregistreur) reçoit les données de code temporel de la prise LANC uniquement lorsque ce magnéto (lecteur) est réglé pour afficher les indications de code temporel.

Réglages pour la lecture

Préparation du lecteur (ce magnétoscope)

- 1** Mettez le moniteur vidéo sous tension, puis réglez les commutateurs d'entrée du moniteur en fonction des signaux d'entrée de l'enregistreur.
- 2** Procédez au réglage de l'enregistreur.
Pour plus de détails, reportez-vous à "Préparation de l'enregistreur" ci-dessous.
- 3** Mettez cet appareil sous tension en appuyant sur le commutateur ON/STANDBY.
- 4** Si l'autre appareil qui commande ce magnétoscope dispose de la fonction de code temporel, mettez le commutateur COUNTER SELECT sur TC (*voir page 9*).
- 5** Lorsque vous reproduisez une cassette audio dupliquée, mettez le commutateur AUDIO MONITOR sur MIX (*voir page 9*). Ensuite, sélectionnez l'équilibre précis entre les pistes avec AUDIO MIX BALANCE du menu (*voir page 34*).

Remarque

Avec la connexion DV, AUDIO MONITOR (sélection du son) et AUDIO MIX BALANCE (réglage de la balance audio) du magnétoscope de lecture ne fonctionnent pas sur la sortie audio source via la prise DV.

Préparation de l'enregistreur

- Introduisez une cassette pour l'enregistrement.
- Sélectionnez les formats du signal d'entrée vidéo et audio à enregistrer.
- Mettez le mode LANC sur M.

Remarques

- Le montage n'est pas possible avec une cassette protégée par des droits d'auteur.
- Vous ne pouvez pas utiliser d'appareil vidéo qui ne dispose pas de commutateur de mode LANC comme enregistreur.

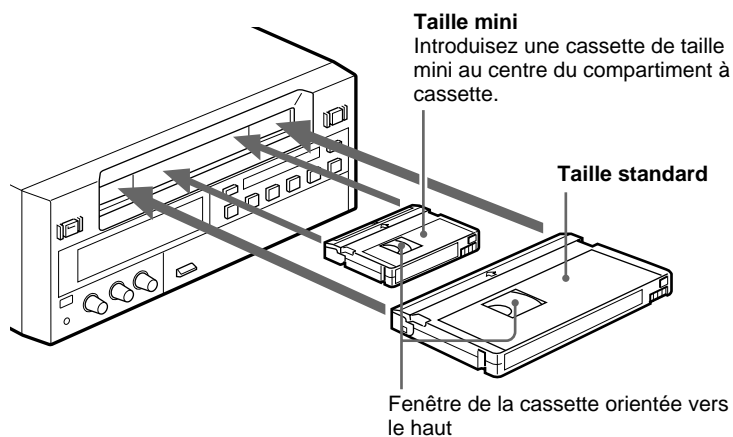
Procédure de lecture

Remarques

- Lorsque cet appareil est commandé au départ d'un pupitre de montage ou d'un ordinateur, mettez le commutateur REMOTE/LOCAL sur REMOTE. Dans le cas contraire, mettez le commutateur sur LOCAL.
- N'introduisez pas de cassette de force. Cela pourrait endommager le magnéscope.

- 1** Après avoir vérifié si la bande ne présentait pas de mou, maintenez la cassette de sorte que la fenêtre de la cassette soit orientée vers le haut, puis introduisez-la dans cet appareil comme illustré ci-dessous.
Pour plus de détails sur la vérification du mou de la bande, reportez-vous à la page 5.

La cassette est automatiquement aspirée dans l'appareil.



- 2** Appuyez sur la touche PLAY.

Cette opération entame la lecture.

Fonctions de lecture

Lecture à différentes vitesses

Vous pouvez profiter des fonctions de lecture à l'aide de la télécommande fournie.

Options de lecture	Opération
Lecture à 1/10 de la vitesse normale	Appuyez sur $\times 1/10$ en cours de lecture
Lecture à 1/5 de la vitesse normale	Appuyez sur $\times 1/5$ en cours de lecture
Lecture à vitesse normale	Appuyez sur $\times 1$ en cours de lecture
Lecture à double vitesse	Appuyez sur $\times 2$ en cours de lecture
Lecture image par image	Appuyez sur FRAME ◀II/II▶ en mode de pause.

Pour entendre le son en cours de lecture à différentes vitesses

Si vous désirez entendre le son en cours de lecture à différentes vitesses, mettez JOG WITH SOUND dans le menu sur ON (*voir page 34*).

Recherche à l'aide de la fonction d'index

Trois sortes de recherche sont disponibles sur ce magnétoSCOPE:

- Recherche du début des enregistrements: recherche indexée
- Recherche d'un endroit sur une cassette où la date d'enregistrement change: recherche par date
- Recherche de scènes enregistrées en mode photo au moyen d'un caméSCOPE numérique: recherche de photo

Recherche dans la liste

Si la cassette dispose d'une mémoire de cassette, les enregistrements sont repris dans une liste chronologiquement dans l'ordre de leur création. Vous pouvez effectuer la recherche à l'aide de la liste chronologique.

Si la cassette ne dispose pas d'une mémoire de cassette, vous ne pouvez pas rechercher des scènes dans l'ordre chronologique.

- 1** Appuyez sur SEARCH SELECT pour sélectionner le type de recherche: INDEX, DATE ou PHOTO SEARCH.

La liste chronologique apparaît sur l'écran du moniteur.

INDEX SEARCH			
			CH
1	2/28/98	1:00AM	12
2	3/ 7/98	12:59PM	LINE
3	3/11/98	3:05AM	11
4	5/ 5/98	7:00PM	CAM
5	7/ 3/98	10:15AM	4
6	10/28/98	12:20PM	106
7	11/23/98	8:30AM	10
8	12/20/98	12:30AM	239
		↓	

En sélectionnant INDEX SEARCH (DSR-20)

- 2** Appuyez sur **⏪** ou **⏩** pour sélectionner un enregistrement.

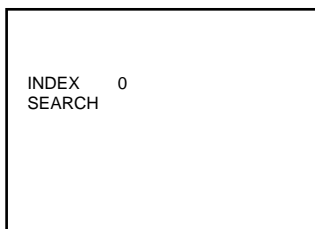
Le magnétoSCOPE se met à chercher et lorsqu'il localise l'enregistrement, il entame la lecture. Lors de la recherche de photo, le magnétoSCOPE passe en mode de pause.

Recherche dans l'ordre des positions réelles des enregistrements sur la cassette

Lorsque vous utilisez une cassette sans mémoire de cassette, le magnéscope effectue la recherche dans l'ordre des positions réelles des enregistrements, quel que soit le réglage de CASSETTE MEMORY SEARCH dans le menu.

Lorsque vous utilisez une cassette avec mémoire de cassette, mettez CASSETTE MEMORY SEARCH dans le menu sur OFF (voir page 35).

- 1 Appuyez sur SEARCH SELECT pour sélectionner le type de recherche.



En sélectionnant INDEX SEARCH

- 2 Appuyez plusieurs fois sur ◀◀ ou ▶▶ pour localiser l'enregistrement que vous désirez.

Le magnéscope commence la recherche vers l'arrière ou vers l'avant jusqu'à ce que le numéro d'index arrive à zéro, puis la lecture de l'enregistrement commence. En cours de recherche photo, le magnéscope passe en mode de pause.

Comment les signaux sont-ils enregistrés?

Le magnéscope place un repère lorsque la touche REC est enfoncée. Il existe trois différents signaux pour chaque méthode de recherche. Le type de signal enregistré et l'endroit où il est enregistré (sur la cassette ou dans la mémoire de cassette) dépendent de l'appareil vidéo utilisé pour l'enregistrement. Sachez que si les signaux ne sont pas enregistrés pour un certain type de recherche, vous ne pouvez pas effectuer ce type de recherche.

Lorsque vous enregistrez au moyen d'un caméscope numérique Sony (DSR-200/200P)

Signaux pour	Dans la mémoire de cassette	Sur cassette
Recherche d'index*	Non	Non
Recherche par date	Oui	Oui
Recherche de photo	Oui	Oui

Lorsque vous enregistrez sur ce magnéscope

Signaux pour	Dans la mémoire de cassette	Sur cassette
Recherche d'index*	Oui	Oui
Recherche de date	Non	Oui
Recherche de photo	Non	Non

*Les signaux de recherche d'index sont enregistrés lorsque vous commencez l'enregistrement pour la première fois en mode d'arrêt.

Remarque

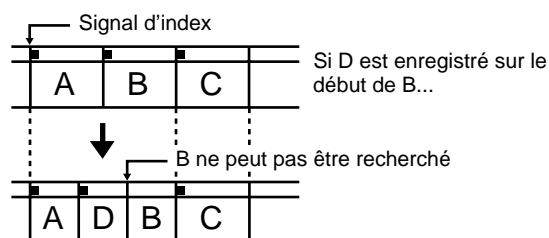
Lors d'un enregistrement sur ce magnéto, les signaux de recherche d'index ne contiennent pas d'informations concernant le jour de la semaine.

A propos de la mémoire de cassette

- Si vous utilisez une cassette avec l'indication **CM**, la mémoire de la cassette mémorise jusqu'à 135 signaux d'index. (Le nombre change en fonction de la taille des données, de la combinaison de données d'index, de date et de photo sauvegardées sur la cassette.) Ce magnéto est capable de conserver et de récupérer jusqu'à 16 kbits de données de mémoire de cassette.
- Pour localiser les enregistrements dont les signaux de stockage dans la mémoire de la cassette sont désactivés, ou pour localiser des enregistrements dans l'ordre de leur position sur la cassette, mettez **CASSETTE MEMORY SEARCH** dans le menu sur **OFF** (voir page 35). Vous pouvez utiliser la même procédure pour rechercher un enregistrement sur une cassette sans mémoire de cassette.

Remarques

- Chaque programme est indexé à son début. Si vous enregistrez un autre programme sur le début du premier programme, vous ne pourrez pas localiser le programme d'origine.



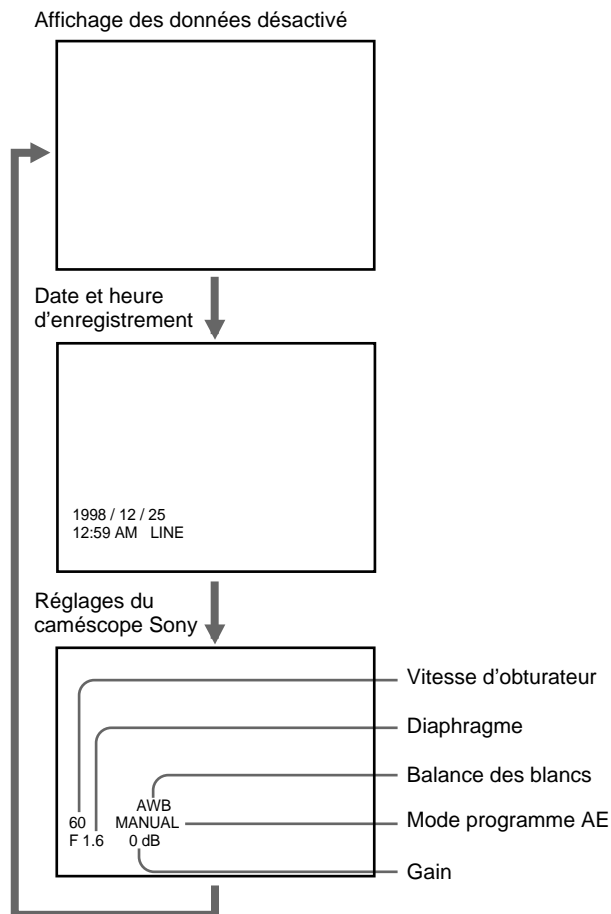
- Vous ne pouvez pas ajouter des index après l'enregistrement. Pour ajouter des index uniquement pour la fonction Auto Repeat, commencez l'enregistrement à l'endroit où vous désirez commencer l'indexation.
- Vous ne pouvez pas supprimer les index après l'enregistrement. Pour supprimer les index pour Auto Repeat, mettez **INDEX WRITE** dans le menu sur **OFF** (voir page 35). Ensuite, enregistrez sur le signal d'index que vous désirez effacer.
- Il est possible que la recherche ne s'effectue pas correctement si les signaux n'ont pas été enregistrés sur un appareil vidéo numérique de marque Sony.

Affichage des informations de cassette

Si vous enregistrez sur une cassette à l'aide d'un caméscope numérique Sony DSR-200/200P, les données du caméscope (la vitesse d'obturateur, le mode programme AE, la balance du blanc, le diaphragme et le gain) peuvent être enregistrées sur la cassette. Vous pouvez vérifier ces données en cours de lecture sur ce magnéto-scope.

Appuyez sur DATA CODE en cours de lecture.

Chaque fois que vous appuyez sur DATA CODE, l'affichage change comme suit:



Remarques

- Lorsque les informations n'ont pas été enregistrées, “- -” apparaît à la place.
- Les données du caméscope affichées sur l'écran du moniteur par ce magnéto-scope sont partiellement différentes de celles affichées par le caméscope numérique.

Répétition automatique (Auto Repeat)

Ce magnétoSCOPE peut répéter la lecture de tout ou d'une partie de la cassette.

- 1 Mettez le commutateur TIMER du panneau frontal sur REPEAT.

L'indicateur TIMER du panneau avant s'allume.

- 2 Appuyez sur REW pour rebobiner la bande jusqu'au début.

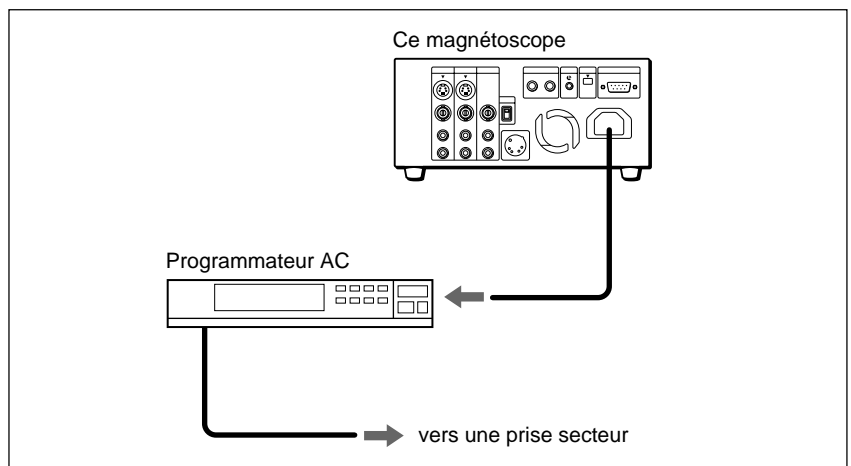
- 3 Appuyez sur PLAY.

La lecture commence automatiquement. Le magnétoSCOPE répète la lecture depuis le début jusqu'au premier index (s'il n'y a pas d'index sur la cassette, jusqu'à la portion non enregistrée; s'il n'y a pas de portion non enregistrée, jusqu'à la fin de la cassette).

Auto Repeat à l'aide d'un programmeur AC externe

Si vous raccordez un programmeur AC externe (non fourni) à ce magnétoSCOPE, vous pouvez répéter la lecture automatiquement à l'heure prédéfinie.

- 1 Raccordez le programmeur AC externe (non fourni) à ce magnétoSCOPE.



- 2 Mettez le commutateur TIMER du panneau frontal sur REPEAT.

L'indicateur TIMER de la fenêtre d'affichage s'allume.

- 3 Réglez l'heure de démarrage du programmeur AC externe.

A l'heure prédéfinie, l'appareil se met sous tension et après quelques secondes (pas plus de 30), la lecture Auto Repeat commence automatiquement. Le magnétoSCOPE répète la lecture depuis le début jusqu'au premier index (s'il n'y a pas d'index sur la cassette, jusqu'à la portion non enregistrée; s'il n'y a pas de portion non enregistrée, jusqu'à la fin de la cassette).

Remarques

- Le magnéscope ne peut pas effectuer de recherche d'index ou de portion non enregistrée pendant les 20 premières secondes du début de la bande.
- Lorsqu'une cassette tourne, ne mettez pas l'appareil hors tension à l'aide du programmeur externe. Cette opération pourrait endommager le magnéscope et la cassette. Lors de la mise hors tension du magnéscope, veuillez tout d'abord à appuyer sur STOP de ce magnéscope pour arrêter le défilement de la bande, puis mettez l'appareil hors tension.

Pour arrêter Auto Repeat

Appuyez sur STOP.

Pour annuler le mode Auto Repeat

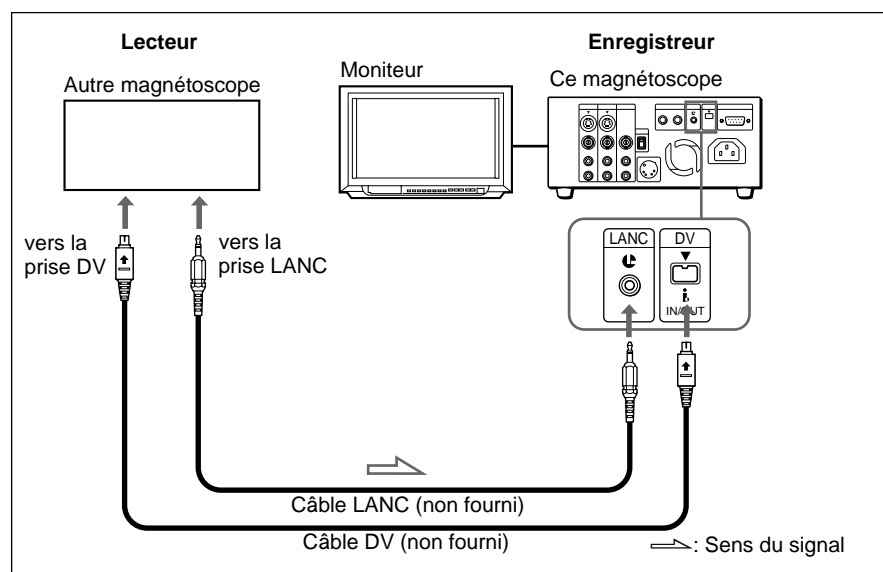
Mettez le commutateur TIMER sur OFF.

Cette section décrit les connexions, réglages et opérations nécessaires pour effectuer un enregistrement sur cet appareil. Les mêmes réglages et opérations s'appliquent que vous utilisiez l'appareil au sein d'un système de montage, pour la duplication, ou comme enregistreur autonome.

Raccordements pour l'enregistrement

Vers l'appareil vidéo numérique avec connecteur DV

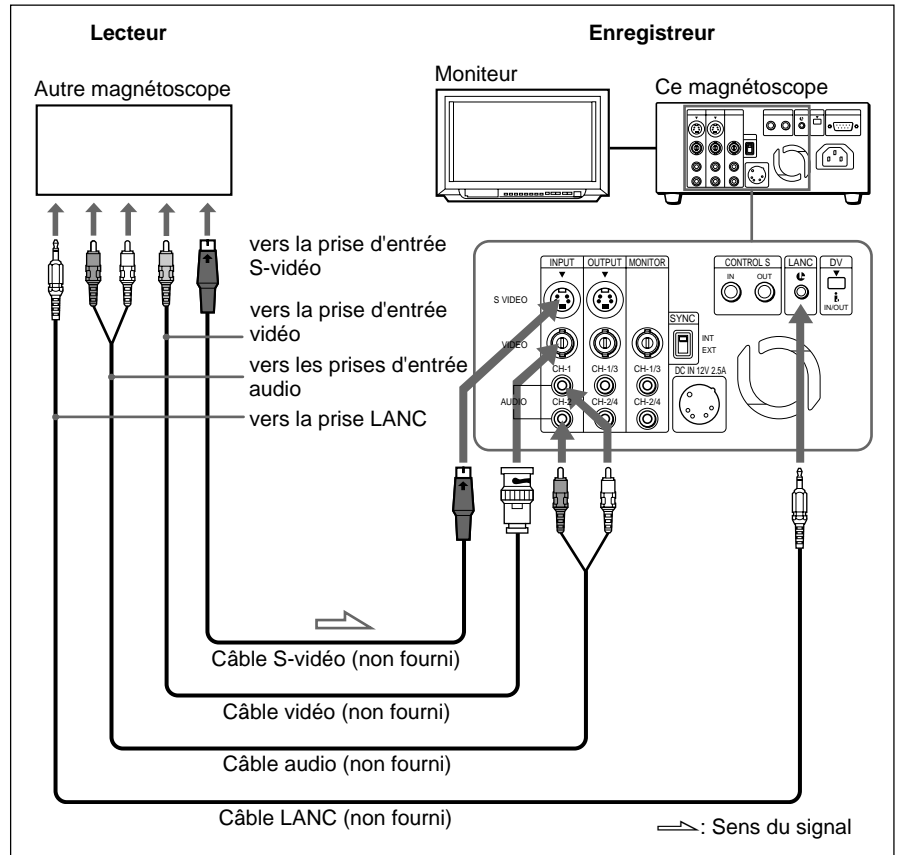
Les signaux vidéo et audio sont envoyés sans dégradation, ce qui permet un montage de haute qualité. Le sens du signal est automatiquement détecté, il ne faut donc pas procéder à des connexions séparées pour l'entrée et la sortie.



Remarques

- Les signaux audio ne sont pas sortis durant la lecture à différentes vitesses.
- Avec la connexion DV, le son est enregistré dans le même mode d'enregistrement audio que celui de la cassette source. Pour enregistrer dans un mode d'enregistrement audio différent de la cassette source, utilisez la connexion LINE à la place.
- Avec la connexion DV, les informations de cassette (date d'enregistrement, données de caméscope, etc.) enregistrées sur la cassette source sont transmises de l'autre magnéto (lecteur). En conséquence, lorsque vous reproduisez une cassette enregistrée et appuyez sur DATA CODE, les mêmes informations de cassettes enregistrées sur la cassette source s'affichent sur l'écran du moniteur. Toutefois, le contenu de la mémoire de cassette n'est pas transmis. En outre, un nouveau code temporel est enregistré sur la cassette de ce magnéto, sauf lors de la copie d'une cassette en mode de duplication.
- En ce qui concerne la connexion LANC, reportez-vous aux "Remarques concernant la connexion LANC" à la page suivante.

Vers l'équipement vidéo sans prise DV



Remarques

- Pendant l'enregistrement de signaux d'entrée analogiques, ce magnéscope peut sortir les signaux numériquement en vue de leur sauvegarde. Réglez DV EE OUT dans le menu sur ON (voir page 35).
- Lorsque vous raccordez les prises de sortie de ce magnéscope aux prises d'entrée du lecteur, sélectionnez l'entrée correctement pour empêcher un bruit de ronflement.
- Les signaux distordus (p.ex., lorsqu'ils sont reproduits à une vitesse autre que la normale) ne seront pas enregistrés correctement.
- Les indications affichées sur l'écran du moniteur sont émises uniquement via la prise MONITOR.

Remarques pour la connexion LANC

- La connexion LANC transmet les signaux tels que les signaux de commande, le code temporel, les données de compteur de temps et les données de statut.
- Si l'autre magnéscope dispose d'une prise LANC du type DIN à 5 broches, effectuez la connexion au moyen du câble de raccordement Control L VK-810 (non fourni).
- Les prises intitulées CONTROL L ont la même fonction que les prises LANC. Les prises intitulées REMOTE peuvent également avoir la même fonction.
- Ce magnéscope (enregistreur) reçoit les données de code temporel de la prise LANC uniquement lorsque l'autre magnéscope (lecteur) est réglé pour afficher les indications de code temporel.

Réglages pour l'enregistrement

Préparation de l'enregistreur (ce magnétoscope)

Remarques

- Avant de procéder à l'enregistrement, réglez l'horloge du magnétoscope de manière à ce que la durée d'enregistrement puisse être inscrite dans le signal d'index. Vous pouvez régler l'horloge à l'aide du menu CLOCK SET (voir page 35).
- Lorsque cet appareil est commandé au départ d'un pupitre de montage ou d'un ordinateur raccordé au connecteur REMOTE, mettez le commutateur REMOTE/LOCAL sur REMOTE. Dans le cas contraire, mettez le commutateur sur LOCAL.
- Il n'est pas possible d'effectuer le montage sur une cassette protégée par des droits d'auteur.

- 1** Mettez le moniteur vidéo sous tension, puis réglez les commutateurs d'entrée du moniteur en fonction des signaux d'entrée de cet appareil.
- 2** Réglez le lecteur pour la lecture d'une cassette.
Pour plus de détails, reportez-vous à "Préparation du lecteur" à la page suivante.
- 3** Mettez cet appareil sous tension en appuyant sur le commutateur ON/STANDBY.
- 4** Utilisez le commutateur COUNTER SELECT pour sélectionner le type de données temporelles à utiliser.

Type de données temporelles	Mettez le commutateur sur
Valeur de comptage du compteur de temps	COUNTER
Code temporel	TC

- 5** Sélectionnez les formats du signal d'entrée vidéo et audio à enregistrer.

Appuyez sur INPUT SELECT pour sélectionner les formats de signaux désirés. Chaque pression sur cette touche permute entre trois options de signal vidéo: vidéo, S-vidéo et entrée DV. Lorsque vous sélectionnez l'une de ces options, l'indicateur correspondant s'allume dans la fenêtre d'affichage.

Remarque

Une fois que vous avez commencé l'enregistrement, vous ne pouvez pas changer la sélection du signal d'entrée (sauf en mode de pause d'enregistrement).

- 6** Lors de l'utilisation des connexions LINE (prises INPUT), sélectionnez le mode audio.

Sélectionnez le mode désiré à l'aide du menu AUDIO MODE.

Mode audio	Mettez le menu sur
mode 2 canaux	Fs48k
mode 4 canaux	Fs32k

Pour savoir comment utiliser le menu, reportez-vous au Chapitre 3 "Réglages du menu".

Remarques

- Dans le format DVCAM, il existe deux modes d'enregistrement audio, soit à deux canaux et 48 kHz, soit à quatre canaux et 32 kHz. Il n'est pas possible de sélectionner d'autres modes (par exemple quatre canaux et 48 kHz).
- Lors d'un enregistrement en mode 4 canaux sur ce magnétoscope, les signaux audio sont enregistrés uniquement sur les canaux 1/2.
- Dès que vous avez commencé l'enregistrement, vous ne pouvez pas changer la sélection du mode audio.

- 7** Utilisez les boutons de commande AUDIO INPUT LEVEL pour régler les niveaux d'entrée audio.

Tout en visualisant l'indicateur de niveau audio (*voir page 7*), réglez le niveau de sorte que l'indicateur n'indique pas des valeurs plus élevées que 0 dB lorsque le signal audio est à son maximum.

Lorsque le niveau dépasse 0 dB, une distorsion du son se produit.

Préparation du lecteur

- Introduisez une cassette source.
- Si le magnétoscope lecteur dispose d'un commutateur EDIT, mettez-le sur ON.
- Désactivez l'affichage sur écran.
- Mettez le mode LANC sur M.

Remarque

Avec la connexion DV, AUDIO MONITOR (sélection du son) et AUDIO MIX BALANCE (réglage de la balance audio) du magnétoscope de lecture ne fonctionnent pas sur la sortie audio source via la prise DV.

Procédure d'enregistrement

Remarque

Lorsque cet appareil est commandé au départ d'un pupitre de montage raccordé au connecteur REMOTE, mettez le commutateur REMOTE/LOCAL sur REMOTE. Dans le cas contraire, mettez le commutateur sur LOCAL.

- 1** Après avoir vérifié que le commutateur de sécurité de la cassette se trouve en position d'enregistrement et que la bande magnétique est bien tendue, maintenez la cassette de façon à ce que la fenêtre en soit orientée vers le haut puis introduisez-la dans cet appareil comme illustré ci-dessous.

Pour plus de détails sur le commutateur de sécurité de la cassette, voir page 4. Pour plus de détails sur la vérification du mou de la bande, reportez-vous à la page 5.

La cassette est automatiquement aspirée dans l'appareil et la bande s'enroule autour du tambour d'enregistrement. La cassette reste stationnaire pendant que le tambour d'enregistrement pivote.

- 2** Appuyez sur la touche PLAY du lecteur.

Cette touche permet de lancer la lecture sur le lecteur.

- 3** Maintenez la touche REC enfoncée et appuyez sur la touche PLAY.

Cette touche permet de lancer l'enregistrement sur l'enregistreur.

Duplication

Si vous copiez une cassette source à l'aide de la touche DUP (duplication) de ce magnéscope, vous pouvez copier le code temporel sur la cassette source tel quel. Vous pouvez aisément réaliser une cassette de travail possédant les mêmes codes temporels que la cassette source. La fonction de duplication de ce magnéscope ne fonctionne que lorsqu'une cassette source est enregistrée dans le format DVCAM et si les connexions DV sont effectuées.

- 1** Raccordez ce magnéscope et l'autre magnéscope (lecteur) à l'aide d'un câble DV et sélectionnez DV avec INPUT SELECT de ce magnéscope.
- 2** Localisez les endroits où vous désirez commencer la lecture et l'enregistrement.
- 3** Appuyez sur STOP pour arrêter le défilement de la bande.
- 4** Maintenez la touche DUP enfoncée et appuyez sur la touche PLAY.

L'indicateur DUP clignote et ce magnéscope passe en mode de veille d'enregistrement.

Remarques

- Si l'autre magnéscope (lecteur) a déjà entamé la lecture, l'indicateur DUP s'allume et la duplication commence immédiatement.
- Si l'autre magnéscope est en mode de pause de lecture, la duplication commence immédiatement et ce magnéscope continue à enregistrer une image fixe et un certain code temporel.

- 5** Appuyez sur la touche de lecture de l'autre magnéscope pour démarrer la lecture.

L'indicateur DUP s'allume et la duplication s'effectue.

Pour régler le point de départ de la duplication

A l'étape 4 ci-dessus, maintenez la touche DUP enfoncée au lieu de la touche PLAY et appuyez sur la touche PAUSE. Ce magnéscope reste en mode de veille d'enregistrement jusqu'à ce que vous appuyiez de nouveau sur PAUSE.

Dès que l'autre magnéscope a commencé la lecture, appuyez sur la touche PAUSE à l'endroit où vous désirez que la duplication commence.

Pour arrêter la duplication

Appuyez sur STOP.

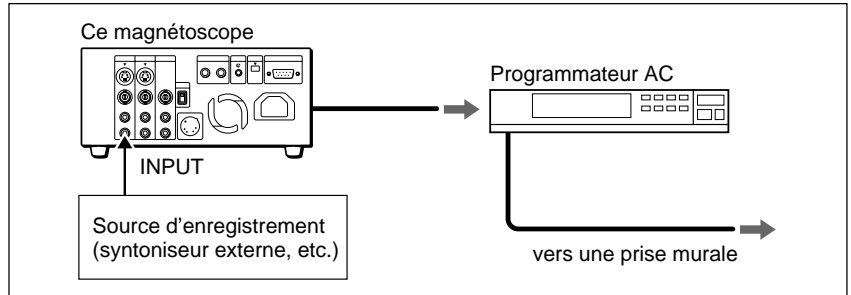
Remarques

- En cours de duplication, ne changez pas la vitesse de défilement de la bande magnétique du lecteur et ne l'activez pas en mode de pause. La raison en est que le code temporel de la cassette enregistrée est alors déphasé et que vous ne pouvez donc pas l'utiliser en vue du montage.
- En cours de duplication, le compteur de bande n'apparaît pas. Regardez-le sur l'autre magnétoscope.
- Lorsque vous démarrez la duplication, la première partie de la cassette source peut être coupée sur la cassette copiée.
- Il est possible que vous ne puissiez pas copier la première partie ou une portion non enregistrée de la cassette source. Localisez la portion enregistrée sur la cassette source, ensuite lancez la copie.
- L'enregistrement ne s'arrête pas au moment où vous appuyez sur STOP pour arrêter le montage. Il se peut que l'image source soit enregistrée un petit peu plus longtemps que vous le souhaitez.
- Si vous dupliquez une cassette à l'aide des deux DSR-20, mettez DV EE OUT dans le menu du lecteur sur OFF (*voir page 35*).
- Les signaux d'index ne sont pas enregistrés lorsque la duplication commence.
- Si vous mettez le commutateur REMOTE/LOCAL sur REMOTE en cours de copie, la cassette s'arrête.

Enregistrement par programmeur AC

En raccordant ce magnéto-scope à un programmeur AC externe (non fourni), vous pouvez démarrer l'enregistrement à une heure prédéfinie.

- 1 Raccordez ce magnéto-scope à un programmeur AC externe (non fourni).



- 2 Introduisez une cassette pour l'enregistrement.
- 3 Appuyez sur INPUT SELECT pour sélectionner la source d'enregistrement.
- 4 Réglez l'heure de démarrage du programmeur externe raccordé.

A l'heure prédéfinie, ce magnéto-scope se met sous tension et la source d'enregistrement se met automatiquement sous tension et l'enregistrement démarre dans les 10 secondes. Réglez le programmeur en prévoyant une marge pour le démarrage de l'enregistrement.

- 5 Mettez le commutateur TIMER à l'avant sur REC.

Vous ne devez pas appuyer sur REC.

Si la cassette arrive en fin de bande avant que la source d'enregistrement ait terminé de fonctionner.

La cassette s'arrête sans rebobiner.

Si vous mettez AUTO REWIND dans le menu sur ON, la cassette se rebobine automatiquement jusqu'au début (*voir page 35*).

Pour arrêter l'enregistrement pendant l'enregistrement par programmeur

Appuyez sur STOP.

Pour annuler l'enregistrement par programmeur AC

Mettez le commutateur TIMER sur OFF.

Remarque

Lorsqu'une cassette tourne, ne mettez pas l'appareil hors tension à l'aide du programmeur externe. Cette opération pourrait endommager le magnéto-scope et la cassette. Lors de la mise hors tension du magnéto-scope, veuillez tout d'abord à appuyer sur STOP de ce magnéto-scope pour arrêter le défilement de la bande, puis mettez l'appareil hors tension.

Raccordement d'autres appareils

Pour l'utilisation, les connexions, etc., reportez-vous au mode d'emploi de l'équipement à raccorder.

Raccordement d'un pupitre de montage

Vous ne pouvez pas exécuter de montage par insertion vidéo/audio. Seul un montage par assemblage est possible avec ce magnéscope.

Remarques

- Vous ne pouvez pas monter de cassettes vidéo avec le protocole RS-232 en utilisant ce magnéscope comme enregistreur.
- Lorsque vous effectuez un montage sur des cassettes en raccordant le FXE-120 ou le FXE-100 et en utilisant ce magnéscope comme lecteur, mettez le débit en bauds RS-232C des deux appareils sur 19200 bps.
- Lorsque vous effectuez un montage sur des cassettes en raccordant le FXE-100 et en utilisant ce magnéscope comme enregistreur, vous devez mettre à jour le FXE-100 au moyen du FXE-KIT1 (non fourni).
- Lorsque vous effectuez un montage sur des cassettes en raccordant le FXE-120 ou le FXE-100 et en employant ce magnéscope comme enregistreur, vous ne pouvez pas raccorder directement les appareils. Utilisez le boîtier d'interface LANC IF-FXE2.

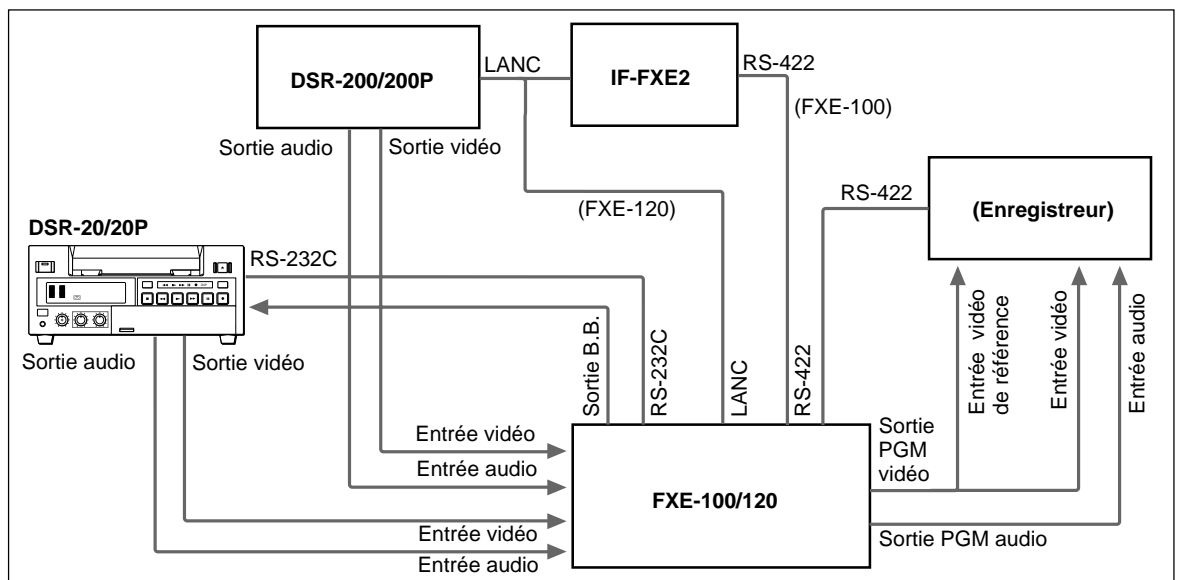
Raccordement d'une titreuse et d'un pupitre de trucage (SEG) numérique

Lors du raccordement d'une titreuse ou d'un pupitre de trucage numérique au moyen de la prise S VIDEO, utilisez la connexion S VIDEO.

Réalisation d'un système de duplication en raccordant plusieurs appareils DSR-20/20P

- Veillez à utiliser un répartiteur audio/vidéo. Si vous effectuez une connexion en boucle, il se peut que l'image et le son se détériorent.
- Lors de l'utilisation d'une prise CONTROL S, vous pouvez réaliser une connexion en boucle directe. Vérifiez le mode de commande de la télécommande filaire et réglez le même mode sur ce magnéscope à l'aide du menu REMOTE CONTROL (voir page 35).
- Vous ne pouvez pas utiliser les télécommandes suivantes avec ce magnéscope: RM-250, RM-S18 et RM-S52A

Exemple de système de duplication de cassette



Modification des réglages de menu

Ce magnétoSCOPE possède plusieurs fonctions et vous pouvez les régler et les vérifier sur l'écran du moniteur. **Avant toute utilisation, réglez l'heure à l'aide du menu CLOCK SET.**

Vous pouvez changer les réglages de menu sur l'écran SET UP MENU. Si nécessaire, modifiez les réglages manuellement en cours de montage, etc.

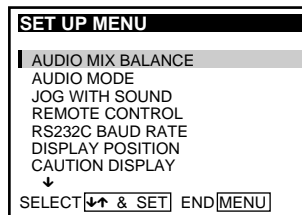
Modification des réglages du menu SET UP MENU

Suivez les instructions ci-dessous pour modifier les réglages.

1 Appuyez sur MENU.

Le menu SET UP MENU apparaît sur l'écran du moniteur.

Pour annuler les réglages de menu, appuyez de nouveau sur MENU.



2 Appuyez sur les touches \uparrow/\downarrow pour sélectionner l'option que vous désirez modifier et appuyez sur la touche SET.

Chaque option du menu apparaît sur l'écran du moniteur (*voir le tableau ci-dessous*).

3 Appuyez sur les touches \uparrow/\downarrow pour modifier le réglage et appuyez sur la touche SET.

Le menu disparaît de l'écran du moniteur.

Contenu du menu

Les réglages initiaux apparaissent en gras.

Options de menu	Réglez cette option sur	Description des réglages
AUDIO MIX BALANCE		Si vous réglez le commutateur AUDIO MONITOR sur MIX, vous pouvez sélectionner précisément la balance entre les canaux 1/2 et 3/4 en cinq paliers.
AUDIO MODE	Fs48k Fs32k	<ul style="list-style-type: none">• Pour régler le mode audio sur le mode 2 canaux (mode 16 bits). Ce mode utilise l'intégralité de la zone audio pour enregistrer une piste stéréo. Vous obtenez ainsi une meilleure qualité sonore.• Pour régler le mode audio sur le mode 4 canaux (mode 12 bits). Ce mode sépare la zone audio en 2 parties. Vous pouvez enregistrer deux sortes de signaux audio: stéréo 1 et stéréo 2. Lors d'un enregistrement sur ce magnétoSCOPE, les signaux audio sont enregistrés uniquement dans les canaux 1/2.
JOG WITH SOUND	ON OFF	<ul style="list-style-type: none">• Pour écouter le son lors de la lecture d'une cassette à différentes vitesses.• Pour couper le son.

Options de menu	Réglez cette option sur	Description des réglages
REMOTE CONTROL		Réglez le mode de commande (VTR1-6, INST) de ce magnétoscope. Changez ce réglage si vous utilisez une télécommande infrarouge ou un appareil externe (à télécommande) pour commander l'appareil à distance. Si vous utilisez la télécommande fournie, sélectionnez VTR4 (réglage initial). Si vous utilisez une télécommande comme la DSRM-10 ou la SVRM-100A, sélectionnez INST. Si vous sélectionnez OFF, vous ne pouvez pas commander à distance l'appareil.
RS232C BAUD RATE	9600bps 19200bps	<ul style="list-style-type: none"> • Pour régler le débit binaire avec un pupitre de montage supportant l'interface RS-232C sur 9600bps. • Pour régler le débit binaire sur 19200bps.
DISPLAY POSITION	CENTER LOWER RIGHT	<ul style="list-style-type: none"> • Pour afficher le compteur de bande au centre de l'écran du moniteur. • Pour afficher le compteur de bande dans la partie inférieure droite de l'écran du moniteur.
CAUTION DISPLAY	ON OFF	<ul style="list-style-type: none"> • Pour afficher les messages d'erreur sur l'écran du moniteur. • Pour ne pas afficher les messages d'erreur.
BEEP	ON OFF	<ul style="list-style-type: none"> • Pour émettre un bip sonore lorsqu'une opération erronée est effectuée. • Pour le désactiver.
INDEX WRITE	AUTO OFF	<ul style="list-style-type: none"> • Pour enregistrer des signaux d'index lorsqu'un enregistrement commence. Pour ne pas enregistrer des signaux d'index.
CASSETTE MEMORY SEARCH	AUTO OFF	<ul style="list-style-type: none"> • Pour rechercher les enregistrements au moyen de la mémoire de cassette. Si la cassette ne dispose pas d'une mémoire de cassette, le magnétoscope recherchera les enregistrements à l'aide de signaux d'index enregistrés sur la cassette même. • Pour rechercher des enregistrements à l'aide de signaux d'index enregistrés sur la cassette.
CASSETTE MEMORY ERASE	ALL DATA INDEX DATA DATE DATA PHOTO DATA	<ul style="list-style-type: none"> • Pour effacer toutes les données de la mémoire de cassette. • Pour effacer les données d'index de la mémoire de cassette. • Pour effacer les données de date de la mémoire de cassette. • Pour effacer les données de photo dans la mémoire de cassette. <p>Remarque Lors de l'utilisation d'une cassette dont la mémoire peut stocker plus de 16 kbits de données, vous pouvez uniquement sélectionner ALL DATA.</p>
TIME CODE (DSR-20 uniquement)	AUTO NDF DF	<ul style="list-style-type: none"> • Pour régler le code temporel sur le même que celui déjà enregistré sur la cassette. • Pour régler le code temporel sur Non Drop Frame. • Pour régler le code temporel sur Drop Frame. <p>Remarque Si vous utilisez AUTO et commencez l'enregistrement au début de la cassette, le code temporel est réglé sur Non Drop Frame.</p>
AUTO OFF	ON OFF	<ul style="list-style-type: none"> • Pour éteindre le magnétoscope automatiquement s'il n'est pas utilisé et si la cassette est arrêtée pendant une heure (Auto Off). • Pour désactiver Auto Off.
AUTO REWIND	ON OFF	<ul style="list-style-type: none"> • Pour rebobiner la bande automatiquement jusqu'au début si la cassette arrive en fin de bande (Auto Rewind). • Pour désactiver Auto Rewind.
PHOTO PB	FIELD FRAME	<ul style="list-style-type: none"> • Pour éviter que l'image ne tremble lors de la lecture d'une cassette enregistrée en mode photo. • Pour visualiser une image claire lors de la lecture d'une image fixe. <p>Remarque Lorsque FRAME est activé, il se peut que l'image enregistrée en mode photo soit floue.</p>
CLOCK SET		Régler l'horloge de ce magnétoscope de sorte que la durée d'enregistrement puisse être inscrite dans le signal d'index. A l'aide des touches \uparrow/\downarrow et SET, réglez la date et l'heure.
HOURS METER	DRUM ROTATION THREADING	L'indicateur numérique des heures conserve les comptages cumulés du temps de rotation du tambour d'enregistrement et du nombre d'opérations de non-défilement. Ces comptages peuvent être affichés sur l'écran du moniteur et ne peuvent être réinitialisés. <ul style="list-style-type: none"> • Le nombre total d'heures cumulées de rotation du tambour avec le défilement de la bande s'affiche par incréments de 10 heures. • Le nombre cumulé d'opérations de non-défilement de la bande s'affiche par incréments de 10 opérations.
DV EE OUT	ON OFF	<ul style="list-style-type: none"> • Pour sortir les signaux d'entrée de ligne sélectionnés via la prise DV. • Pour sortir uniquement les signaux audio et vidéo de lecture via la prise DV.

Messages d'alarme

Différents messages apparaissent sur l'écran du moniteur. Vérifiez leur signification au moyen de la liste suivante.

Message	Signification / Remède
PLEASE CONFIRM THE SAFETY SWITCH OF THE CASSETTE	Vérifiez que le sélecteur de protection fait apparaître la portion rouge. → Faites coulisser le sélecteur de protection dans l'autre sens (<i>voir page 4</i>).
NO CASSETTE MEMORY	Vous tentez d'effacer une mémoire de cassette.
VCR IS RECORDING	Vous appuyez sur une certaine touche d'exploitation en cours d'enregistrement ou de montage.
PLEASE INSERT A NEW CASSETTE	Bien qu'aucune cassette ne soit introduite dans le compartiment à cassette, vous appuyez sur PLAY, etc. → Introduisez une cassette.
THE TAPE IS REWOUND	Vous appuyez sur REW au début de la cassette.
PLEASE REWIND OR INSERT A NEW CASSETTE	Vous tentez de démarrer la lecture ou l'enregistrement à la fin de la cassette. → Rebobinez la cassette ou introduisez une nouvelle cassette.
PLEASE SET THE CLOCK	Lorsque vous avez mis l'appareil sous tension, vous n'avez pas réglé l'horloge. → Réglez l'horloge dans le menu (<i>voir page 35</i>).
THIS PROGRAM IS COPYRIGHT PROTECTED	Vous tentez de dupliquer une cassette protégée par des signaux de droits d'auteur.
CASSETTE MEMORY IS TOO LARGE TO ERASE	Vous tentez d'effacer "INDEX DATA", "DATE DATA" ou "PHOTO DATA" sur une cassette comportant plus de 16 kbits de capacité de mémoire. → Effacez "ALL DATA" sur la cassette (<i>voir page 35</i>).
WRITING ON CASSETTE MEMORY. PLEASE WAIT	Vous effectuez certaines opérations pendant que le magnétoscope écrit dans la mémoire de cassette. → Effectuez ces opérations une fois l'écriture dans la mémoire de cassette terminée.
VCR IS IN DUP MODE	Vous appuyez sur une certaine touche d'exploitation en cours de duplication.

Remarques sur l'utilisation

Remarques sur le magnétoscope

Ne placez pas cet appareil dans un endroit exposé aux rayons directs du soleil ou aux sources de chaleur.

Si c'est le cas, le châssis, les composants mécaniques, etc., risquent d'être endommagés.

N'installez pas cet appareil dans un lieu excessivement chaud

Si l'appareil est abandonné dans un véhicule stationné avec les vitres fermées (en été tout particulièrement), son châssis risque d'être endommagé et il ne pourra plus fonctionner correctement.

Si l'appareil est transporté directement d'un endroit frais à un endroit chaud

De l'humidité peut se condenser à l'intérieur de l'appareil et endommager la tête vidéo et la bande. Si vous utilisez l'appareil dans un endroit exposé aux courants d'air d'un climatiseur, de l'humidité peut également se condenser à l'intérieur de l'appareil.

Ne placez pas d'objets lourds sur l'appareil

Cela pourrait endommager le châssis ou le magnétoscope pourrait ne plus fonctionner correctement.

Manipulez l'enregistreur avec soin

Évitez toute manipulation sauvage ou des chocs mécaniques.

Pour éviter d'endommager le châssis

Le plastique est souvent utilisé comme surface de finition de l'appareil. Ne vaporisez pas de solvant volatil comme un insecticide en direction du châssis et ne placez pas de produits en caoutchouc ou en vinyle sur le châssis pendant trop longtemps, car cela peut endommager la surface de finition du châssis ou faire disparaître son revêtement.

Ne nettoyez pas le châssis avec du diluant ou du benzène

Cela peut endommager la surface de finition du châssis ou faire disparaître son revêtement. Lorsque vous utilisez un chiffon imprégné de substances chimiques, utilisez-le conformément aux instructions l'accompagnant.

Nettoyez le châssis avec un chiffon sec et doux

Lorsque le châssis est très sale, nettoyez-le avec un chiffon sec et doux légèrement imbibé d'une solution détergente neutre et terminez avec un chiffon sec.

Ne placez pas d'objets magnétiques à proximité de l'appareil

Les champs magnétiques peuvent endommager un enregistrement précieux.

Vérifiez les têtes vidéo toutes les 1000 heures d'utilisation

Un magnétoscope est un appareil comportant des pièces de haute précision parce qu'il enregistre et reproduit l'image sur une bande magnétique. En particulier, la tête vidéo et d'autres composants mécaniques s'encrassent et s'usent. Pour conserver une image claire, nous recommandons un entretien toutes les 1000 heures, bien que les conditions d'utilisation diffèrent en fonction de la température, de l'humidité, de la poussière, etc.

Nettoyage des têtes vidéo

Si les têtes vidéo sont encrassées, les images ne peuvent plus être enregistrées convenablement ou les images lues comportent des parasites. Si l'un des phénomènes suivants se produit, utilisez la cassette de nettoyage (fournie) pour les nettoyer.

- L'image lue comporte des parasites en forme de carré.
- Une partie de l'image lue ne bouge pas.
- L'image lue n'apparaît pas à l'écran.

Symptômes provoqués par un encrassement des têtes vidéo.



Image normale



Si ces images apparaissent à l'écran, utilisez la cassette de nettoyage.

Remarques sur l'utilisation

Utilisation de la cassette de nettoyage

Reportez-vous au mode d'emploi de la cassette de nettoyage.

Après une utilisation prolongée, les têtes vidéo peuvent être usées. Si une qualité d'image optimale n'est pas restaurée même après avoir nettoyé les têtes vidéo à l'aide de la cassette de nettoyage, il est possible que les têtes vidéo soient usées. Dans ce cas, vous devez remplacer les têtes vidéo par des neuves. Adressez-vous à votre revendeur Sony.

Remarques sur les cassettes vidéo

Si la fonction de mémoire de cassette n'est pas opérante

Réintroduisez la cassette quelques fois. Il se peut que la borne soit poussiéreuse ou sale.

Nettoyage de la borne

Si la borne de la cassette est encrassée, ou si la poussière adhère à la borne, le magnétoscope risque de ne pas fonctionner correctement.

Nettoyez le connecteur à l'aide d'un coton-tige après avoir éjecté la cassette une dizaine de fois.



Borne

Pose d'une étiquette sur la cassette

Veillez à coller l'étiquette uniquement à l'endroit indiqué dans l'illustration de manière à éviter tout dysfonctionnement du magnétoscope.

Après avoir utilisé une cassette

Après l'utilisation, rebobinez la cassette jusqu'au début (pour éviter toute déformation du son et de l'image). Remettez-la dans son boîtier et conservez-la en position verticale.

A propos de la condensation

Si l'appareil ou la cassette est transporté sans transition d'un endroit froid à un endroit chaud, l'humidité peut former de la condensation à l'intérieur comme à l'extérieur de l'appareil ou de la cassette. Si vous utilisez un appareil ou une cassette présentant de la condensation, la cassette peut coller au tambour d'enregistrement, provoquant de ce fait une

dégradation des têtes vidéo ou de la cassette ou un dysfonctionnement.

La condensation se forme généralement dans les conditions suivantes:

- L'appareil est transporté de l'extérieur où il fait froid vers une pièce chauffée.
- L'appareil est transporté d'une pièce climatisée vers l'extérieur où il fait chaud.
- L'appareil est utilisé dans un endroit exposé aux courants d'air d'un climatiseur.

Lorsque vous transportez l'appareil d'un endroit froid dans un endroit chaud ou inversement, mettez-le dans un sac en plastique et refermez le sac hermétiquement. Une fois dans l'endroit de destination, laissez le sac pendant environ une heure, puis retirez l'appareil du sac lorsque la température de l'air à l'intérieur du sac a atteint la température environnante.

Si de la condensation s'est formée

Vous ne pouvez pas exploiter l'appareil, à l'exception d'une pression sur la touche EJECT. Si vous introduisez une cassette, elle est éjectée automatiquement. Dans ce cas, mettez l'appareil sous tension, attendez environ une heure que la condensation s'évapore.

Indicateur numérique des heures

L'indicateur numérique des heures conserve les comptages cumulés du temps de rotation du tambour d'enregistrement et du nombre d'opérations de non-défilement. Ces comptages peuvent être affichés sur l'écran du moniteur. Utilisez-les comme indication pour votre programme d'entretien.

En général, adressez-vous à votre revendeur Sony pour connaître les vérifications d'entretien périodiques nécessaires.

L'indicateur numérique des heures offre les deux modes d'affichage suivants et vous pouvez les vérifier dans le menu HOURS METER (voir page 35).

• Mode DRUM ROTATION

Le nombre total d'heures cumulées de rotation du tambour avec le défilement de la bande s'affiche par incréments de 10 heures.

• Mode THREADING

Le nombre cumulé d'opérations de non-défilement de la bande s'affiche par incréments de 10 opérations.

Fonction d'autodiagnostic

L'appareil est équipé d'une fonction d'autodiagnostic qui empêche tout dysfonctionnement du magnéscope. Un numéro de service à deux chiffres apparaît dans la fenêtre d'affichage. Dans ce cas, consultez le tableau suivant.

Message	Symptôme	Remède
32	Pour éviter tout dysfonctionnement de l'appareil, la fonction d'auto-diagnostic s'est enclenchée.	<ul style="list-style-type: none">• Débranchez le cordon d'alimentation. Après rebranchement de la source d'alimentation, faites fonctionner l'appareil.• Retirez la cassette et mettez l'appareil sous/hors tension.
21	De la condensation d'humidité s'est produite.	Retirez la cassette et laissez l'appareil pendant au moins 1 heure.

Spécifications

Systeme

Format d'enregistrement	Format DVCAM
Signal vidéo	
DSR-20:	EIA STANDARD, système couleur NTSC
DSR-20P:	CCIR STANDARD, système couleur PAL
Cassettes utilisables	Cassettes DVCAM standard et minicassettes DVCAM
Durée d'enregistrement	184 minutes (avec une cassette PDV-184ME) 40 minutes (avec une cassette PDVM-40ME)

Horloge

A quartz	
DSR-20:	affichage au format 12 heures
DSR-20P:	affichage au format 24 heures
Réserve d'alimentation	Condensateur intégré auto-rechargeable Durée d'autonomie: 100 heures maximum

Entrées et sorties

Entrée vidéo	Connecteur BNC Signal d'entrée: 1 Vcc (75 ohms asynchrone)
Sortie vidéo	Connecteur BNC Signal de sortie: 1 Vcc (75 ohms asynchrone)
Entrée S VIDEO	Mini DIN à 4 broches Signal de luminance: 1 Vcc (75 ohms asynchrone) Signal de chrominance: 0,286 Vcc (DSR-20) 0,3 Vcc (DSR-20P) (75 ohms asynchrone)
Sortie S VIDEO	Mini DIN à 4 broches Signal de luminance: 1 Vcc (75 ohms asynchrone) Signal de chrominance: 0,286 Vcc (DSR-20) 0,3 Vcc (DSR-20P) (75 ohms asynchrone)

Entrée audio	prise phono (L, R) Niveau d'entrée: 2 Vrms (bit intégral) Impédance d'entrée: supérieure à 47 kohms
Sortie audio	prise phono (L, R) Niveau de sortie: 2 Vrms (bit intégral) Impédance de sortie: inférieure à 10 kohms
Sortie moniteur	Connecteur BNC Signal de sortie: 1 Vcc (75 ohms asynchrone)
Entrée/sortie Control S	Miniprise (2)
Entrée/sortie LANC	Mini-miniprise stéréo (1)
Entrée/sortie RS-232C	D-sub à 9 broches (1)
Sortie écouteurs	Miniprise stéréo (1)
DV IN / OUT	Prise à 4 broches (1)

Généralités

Alimentation électrique	DSR-20: 120 V CA, 60 Hz 12 V DC, 2,0 A (4.0 A en pointe) DSR-20P: 220 - 240 V CA, 50 Hz 12 V DC, 2,0 A (4.0 A en pointe)
Consommation électrique	DSR-20: 0.45 A, 120 V CA, 60 Hz DSR-20P: 0.35 A, 220 - 240 V CA, 50 Hz (en cours de lecture)
Appel de courant de crête	DSR-20P: Mesuré conformément à la norme européenne EN55103-1: 9A (230V)
Température de fonctionnement	5°C à 40°C
Température de stockage	-20°C à +60°C
Dimensions	Env. 212 × 98 × 392 mm (l/h/p, y compris les parties et commandes saillantes)
Poids	Env. 5 kg
Accessoires fournis	Télécommande (1) Piles AA (R6) (2) Cordon d'alimentation (1) Cassette de nettoyage (1)

La conception et les spécifications sont sujettes à modifications sans préavis.

Compatibilité du format DVCAM et DV

Le format DVCAM se présente comme un format plus fiable et de meilleure qualité que le format grand public DV. Voici quelques explications concernant les formats DVCAM et DV: les différences, la compatibilité et les limites de montage.

Différences entre le format DVCAM et DV

Paramètre	DVCAM	DV
Entraxe des pistes	15µm	10µm
Fréquence d'échantillonnage audio	12bit: 32kHz 16bit: 48kHz	12bit: 32kHz 16bit: 32kHz, 44.1kHz, 48kHz
Mode d'enregistrement audio ¹⁾	Mode de verrouillage	Mode de déverrouillage
Mode temporel	Système d'image désynchronisée (DSR-20 uniquement) ou système d'image non désynchronisée	Système d'image désynchronisée uniquement

- 1) Il y a deux modes d'enregistrement audio, le mode de verrouillage et le mode de déverrouillage. En mode de verrouillage, les fréquences d'échantillonnage des pistes audio et vidéo sont synchronisées. En mode de déverrouillage, qui est le mode adopté par le format grand public DV, les deux fréquences d'échantillonnage sont indépendantes. Par conséquent, le mode de verrouillage est plus efficace que le mode de déverrouillage lors d'un traitement numérique et assure une transition douce lors d'un montage audio.

Cassettes DVCAM et DV

Les deux cassettes DVCAM et DV peuvent être utilisées sur des appareils vidéo DVCAM ou DV. Le format d'enregistrement de l'image est définie en fonction du format de l'enregistreur, comme décrit ci-dessous.

Format de l'enregistreur	Format de la cassette	Format d'enregistrement
DVCAM	DVCAM DV	DVCAM
DV	DVCAM DV	DV

- Ce magnétoscope numérique est compatible avec le format DVCAM. Bien que les cassettes DV puissent être utilisées pour l'enregistrement, nous recommandons l'utilisation de cassettes DVCAM pour tirer le meilleur parti de la haute fiabilité du format DVCAM.
- La durée d'enregistrement des cassettes DV est 2/3 plus courte que celle indiquée sur les cassettes DV.

Compatibilité à la lecture

Certaines cassettes ne peuvent pas être reproduites sur un équipement vidéo DVCAM ou DV.

Cassette	A propos de l'équipement vidéo DV	A propos de l'équipement vidéo DVCAM
Formatée DV	Lecture possible	Lecture possible (enregistrée en mode SP uniquement)
Formatée DVCAM	Il se peut que certains équipements vidéo DV puissent reproduire une cassette formatée DVCAM.	Lecture possible

Compatibilité du format DVCAM et DV

Compatibilité de montage à l'aide d'une connexion DV

Lorsque ce magnéscope numérique est raccordé à un autre équipement vidéo DVCAM ou DV à l'aide des connecteurs DV, le format d'enregistrement des cassettes de montage est défini en fonction du format de l'enregistreur, comme décrit ci-dessous.

Cassette source	Player's format	Recorder's format	Recorded format
Formatée DV ¹⁾	DVCAM	DVCAM DV	DVCAM ²⁾ DV
Formatée DV	DV	DVCAM DV	DVCAM ²⁾ DV
Formatée DVCAM ³⁾	DVCAM	DVCAM DV	DVCAM DV ⁴⁾
Formatée DVCAM ³⁾	DV ⁵⁾	DVCAM DV	DVCAM ⁶⁾ DV ⁴⁾

- 1) Les cassettes formatées DV enregistrées en mode SP uniquement peuvent être utilisées comme cassettes source.
- 2) Lorsque vous copiez une cassette formatée DV au moyen d'un appareil vidéo DVCAM, le format enregistré de la cassette copiée est le format DVCAM suivant.
 - Le mode d'enregistrement audio de la cassette copiée est le mode de déverrouillage.
 - Le code temporel de la cassette copiée est partiellement incorrect.
- 3) Si vous utilisez la cassette formatée DV telle que décrite sous le point 2) ci-dessus, le mode d'enregistrement audio de la cassette enregistrée est le mode de déverrouillage et le code temporel est partiellement incorrect.
- 4) Le mode d'enregistrement audio de la cassette de montage est le mode de verrouillage.
- 5) Il est possible que certains équipements vidéo DV ne puissent pas lire des cassettes formatées DVCAM. Même si la cassette est reproduite, le contenu ne peut pas être garanti.
- 6) En fonction des conditions du signal de la cassette source, il se peut que vous ne puissiez pas effectuer le montage de la cassette à l'aide de la connexion DV.

Limites de montage

Vous serez confrontés aux limites suivantes lors du montage:

- En raison de la différence de l'entraxe des pistes, vous ne pouvez pas effectuer l'enregistrement ou le montage sur des cassettes formatées DV à l'aide d'un appareil vidéo DVCAM.
- En fonction de l'état des signaux, il se peut que vous ne puissiez pas effectuer l'enregistrement ou le montage sur des cassettes formatées DVCAM. Dans ces cas, copiez de nouveau la cassette à l'aide des prises audio/vidéo.

Arrêt de défilement

Voir "Déchargement".

Chargement

En cours de chargement, la bande est extraite du boîtier de cassette et défile le long du chemin de la bande spécifié pour être enroulée autour du tambour en vue de l'enregistrement ou de la lecture. En règle générale, cette opération s'effectue automatiquement dès que vous introduisez la cassette dans le magnéscope. On parle également de défilement.

Code temporel

Signaux enregistrés sur la cassette pour fournir des informations sur la position de la cassette telles que l'heure, les minutes, les secondes et les images afin d'aider au réglage des points de montage ou à la recherche de scènes en particulier. Ce magnéscope accepte les signaux DF (Drop Frame) et NDF (Non Drop Frame). Sur ce magnéscope, le code temporel est enregistré consécutivement de "00:00:00:00" à partir du début de la cassette. Toutefois, s'il y a une section vierge sur la cassette, le code temporel est réinitialisé et enregistré depuis "00:00:00:00" de nouveau à partir de la section suivant juste la section vierge. Si les codes temporels ne sont pas consécutifs, il est possible que vous ne puissiez plus réaliser un montage correct.

Condensation

Condensation d'humidité sur les mécanismes de défilement de la bande des magnétoscopes, y compris le tambour d'enregistrement. En cas de condensation d'humidité sur le tambour d'enregistrement, la bande adhère au tambour et provoque un dysfonctionnement.

Déchargement

Lorsqu'elle est déchargée, la bande quitte le chemin de défilement du magnéscope et est remise dans son boîtier. En général, cette opération s'effectue automatiquement dès que vous appuyez sur la touche EJECT. Egalement appelé Arrêt de défilement.

Défilement

Reportez-vous à "Chargement".

Mode d'enregistrement audio

Dans le format DVCAM, le son est enregistré en mode 16 bits (Fs48k) ou 12 bits (Fs32k).

Mode Drop Frame

Dans le format NTSC, le nombre réel d'images par seconde est d'environ 29,97, tandis que celui spécifié par le code temporel SMPTE est de 30. Le mode Drop Frame est un mode dans lequel le code temporel est avancé de telle sorte que la différence de valeur d'image entre le temps réel et le code temporel est corrigée. Dans ce mode, deux images sont ignorées au début de chaque minute, sauf à chaque dixième minute de sorte que la valeur d'image pour le code temporel corresponde au temps réel. Reportez-vous également à "Mode Non Drop Frame".

Mode EE

EE est une abréviation de "Electrique à électrique". Les signaux vidéo et audio sont transmis aux circuits internes du magnéscope, mais ne passent pas par les têtes d'enregistrement.

Mode Non Drop Frame

Mode d'avance du code temporel de sorte que la différence de valeur d'image entre le temps réel et le code temporel soit négligeable. L'utilisation de ce mode produit une différence d'environ 86 secondes par jour entre le temps réel et le code temporel, ce qui peut provoquer des problèmes lors du montage de programmes en unités de secondes à l'aide du nombre d'images comme référence.

Mode 12 bits (Fs32k)

Dans le format DVCAM, le mode 12 bits (Fs32k) sépare la zone audio en 2 parties. Vous pouvez enregistrer deux sortes de signaux audio: stéréo 1 et stéréo 2.

Mode 16 bits (Fs48k)

Dans le format DVCAM, le mode 16 bits (Fs48k) utilise l'intégralité de la zone audio pour enregistrer une piste stéréo. Vous obtenez ainsi une meilleure qualité sonore.

Signal composante

Signal vidéo consistant en un signal de luminance (Y) et deux signaux de chrominance (R-Y, B-Y).

Signal composite

Signal vidéo composite contenant des signaux vidéo, des signaux de salve et de synchronisation.

Signal de synchro

Signal de référence consistant en des signaux de synchronisation verticale et horizontale utilisés pour synchroniser la fréquence de balayage d'une caméra vidéo et d'un moniteur.

Signal vidéo de référence

Signal vidéo consistant en un signal de synchro ou en des signaux de synchro et de salve, utilisé comme référence.

Surimpression

Faculté de faire apparaître un jeu de caractères sur une image tout en permettant de la visualiser.

A, B, C

Cassette utilisable	4
Cassette DVCAM standard	4
Code temporel	43
Compteur de temps	7, 9

D

Données de caméscope	22
Drop Frame	43
Duplication	30
DV	
cassette	41
format	41
prise	11, 14, 25
DVCAM	
cassette	4, 41
format	2, 41

E

Enregistrement par programmeur AC	32
---	----

F, G

Fs32k	43
Fs48k	43

H

Horloge	35
---------------	----

I, J, K

i.LINK	11
--------------	----

L

Lecture	
à différentes vitesses	18
image par image	18

M

Mémoire de cassette	4, 21
Menu	34
Minicassette DVCAM	4
Mode de commande	35
Mode d'enregistrement audio	7, 34
Mode de verrouillage	41
Mode de déverrouillage	41

N, O

Nettoyage	37
Non Drop Frame	43

P, Q

Prise LANC	11, 15, 26
Programmeur AC	23, 32

R

Recherche d'index	19
Recherche de date	19
Recherche de photo	19
Recherche à l'aide de la fonction d'index	19
Répétition automatique	23

S

Signal vidéo de référence	43
SIRCS	3, 11

T, U, V, W, X, Y, Z

Télécommande	12
Temps restant	9

Free Manuals Download Website

<http://myh66.com>

<http://usermanuals.us>

<http://www.somanuals.com>

<http://www.4manuals.cc>

<http://www.manual-lib.com>

<http://www.404manual.com>

<http://www.luxmanual.com>

<http://aubethermostatmanual.com>

Golf course search by state

<http://golfingnear.com>

Email search by domain

<http://emailbydomain.com>

Auto manuals search

<http://auto.somanuals.com>

TV manuals search

<http://tv.somanuals.com>