

Digital Videocassette Recorder

Operating Instructions

Before operating the unit, please read this manual thoroughly and retain it for future reference.



DSR-2000/2000P

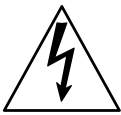
Owner's Record

The model and serial numbers are located in the rear. Record these numbers in the spaces provided below. Refer to them whenever you call upon your Sony dealer regarding this product.

Model No. _____ Serial No. _____

WARNING

To prevent fire or shock hazard, do not expose the unit to rain or moisture.



This symbol is intended to alert the user to the presence of uninsulated "dangerous voltage" within the product's enclosure that may be of sufficient magnitude to constitute a risk of electric shock to persons.



This symbol is intended to alert the user to the presence of important operating and maintenance (servicing) instructions in the literature accompanying the appliance.

For customers in the USA (DSR-2000 only)

This equipment has been tested and found to comply with the limits for a Class A digital device, pursuant to Part 15 of the FCC Rules. These limits are designed to provide reasonable protection against harmful interference when the equipment is operated in a commercial environment. This equipment generates, uses, and can radiate radio frequency energy and, if not installed and used in accordance with the instruction manual, may cause harmful interference to radio communications. Operation of this equipment in a residential area is likely to cause harmful interference in which case the user will be required to correct the interference at his own expense.

You are cautioned that any changes or modifications not expressly approved in this manual could void your authority to operate this equipment.

The shielded interface cable recommended in this manual must be used with this equipment in order to comply with the limits for a digital device pursuant to Subpart B of Part 15 of FCC Rules.

Caution

Television programs, films, video tapes and other materials may be copyrighted.

Unauthorized recording of such material may be contrary to the provisions of the copyright laws.

For the customers in Europe (DSR-2000P only)

This product with the CE marking complies with both the EMC Directive (89/336/EEC) and the Low Voltage Directive (73/23/EEC) issued by the Commission of the European Community.

Compliance with these directives implies conformity to the following European standards:

- EN60065: Product Safety
- EN55103-1: Electromagnetic Interference (Emission)
- EN55103-2: Electromagnetic Susceptibility (Immunity)

This product is intended for use in the following Electromagnetic Environment(s):

E1 (residential), E2 (commercial and light industrial), E3 (urban outdoors) and E4 (controlled EMC environment, ex. TV studio).

Table of Contents

Chapter1

Overview

Features	7
System Configuration	11
Location and Function of Parts	12
Upper Control Panel	13
Lower Control Panel	16
Subsidiary Control Panel	25
Connector Panel	28
Usable Cassettes	33
Inserting and Ejecting Cassettes	34

Chapter2

Setting/Displaying Time Data and Text Information

Displaying Time Data and Unit's Operating Status— Superimposing Text Information	35
Setting Time Code and User Bits	39
Synchronizing the Internal Time Code Generator With an External Signal—External Lock	42

Chapter3

Recording and Playback

Recording	45
Preparations for Recording	45
Recording Time Code and User Bit Values	47
Recording Operation	48
Playback	49
Preparations for Playback	49
Playback Operation	50
Dynamic Motion Control (DMC) Playback	55
Synchronous Playback	59
Digitally Dubbing Signals in DVCAM Format (Optional DSBK-190 Required When Using i.LINK Interface)	61

Chapter 4

Editing

Automatic Editing	67
Overview of Automatic Editing	67
Button/Switch Settings for Editing	70
Selecting an Edit Mode	71
Setting Edit Points	72
Checking Edit Points	75
Modifying Edit Points	76
Cuing Up to Edit Points	78
Checking Edit Results—Preview	80
Executing Automatic Editing	81
DMC Editing	84
Overview of DMC Editing	84
Carrying Out DMC Editing	85
Preread Editing	87
Special Editing Methods	89
Quick Editing	90
Continuous Editing	91
Standalone Editing	93
Manual Editing	94
Adding a Narration (Sound-on-Sound)	95

Chapter5

ClipLink Operation

Overview of ClipLink Operation	97
Displaying ClipLink Log Data	98
Detailed Data Display	98
Cuing Up to Mark IN/OUT and Cue Points	99
Cuing Up to Any Desired Position	99
Cuing Up to Adjacent Mark IN/Cue Points	99
Rewriting ClipLink Log Data	100
Changing the Reel Number	100
Changing Mark IN/OUT Points	100
Changing the OK/NG Status	101
Adding to/Deleting From ClipLink Log Data	103
Adding Mark IN/OUT Points	103
Deleting Mark IN/OUT Points	103
Automatically Creating New ClipLink Log Data	105

Chapter6

Setup Menu

Menu System Configuration	107
Basic Menu	107
Items in the Basic Menu	107
Basic Menu Operations	110
Extended Menu	113
Items in the Extended Menu	113
Extended Menu Operations	123

Table of Contents

Chapter 7

Connections and Settings

Reference Video Signals for Analog Signal Editing ..	125
Connections for Cut Editing Using i.LINK Interface (Optional DSBK-190 Required)	125
Connections for Digital Nonlinear Editing Using SDTI (QSDI) Interface	127
Connections for Cut Editing Using SDI Interface	128
Connections for Preread Editing	129
Settings Required When Connecting an External Editing Control Unit	130
Time Code Settings on This Unit	130
Settings on Editing Control Units	130
Connections for Component Analog Recording	131
Connections for Two-Unit Synchronous Playback	132
Connections for Digitally Dubbing Signals in DVCAM Format (Optional DSBK-190 Required When Using i.LINK Interface)	133

Chapter 8

Maintenance and Troubleshooting

Condensation	135
Head Cleaning	135
Periodic Maintenance	136
Troubleshooting	137
Error Messages	139
Alarm Messages	139

Appendixes

Notes on Use	143
Specifications	144
ClipLink™ Guide	147
What is ClipLink?	147
Example System Configuration and Operation Flow	148
Data Generated When Shooting	149
Glossary	152
Index	155

Overview

Features

The DSR-2000/2000P is a 1/4-inch digital videocassette recorder using the DVCAM™ digital recording format. It uses a component video system, with separate luminance and chrominance signals and digital processing to realize a stable, high image quality. This unit is equipped with a variety of functions needed for videocassette recorders and players used in video editing. By combining two units, you can easily assemble a cut editing system. It is also equipped with a full-fledged analog and digital interfaces to support hybrid systems that combine conventional analog equipment with digital equipment. Furthermore, it supports the Sony-developed ClipLink™ function, improving operating efficiency when combined with a Sony EditStation™.

The following are the principal features of the unit.

DVCAM Format

DVCAM is a professional 1/4-inch digital recording format developed by Sony from the consumer DV component digital format (4:1:1 for DSR-2000/4:2:0 for DSR-2000P).

High image quality and high stability

The luminance and chrominance signals are encoded separately, with a 1/5 compression, giving a stable high quality video image. Since this is a digital system, nth-generation copies created by repeated dubbing show virtually no loss in picture quality.

Wide track

The recording track width is 15 μm, 50% wider than the 10 μm of the DV format. This ensures adequate reliability for professional use.

PCM digital audio for high sound quality

The PCM encoding method yields a high audio quality, with wide dynamic range and high signal-to-noise ratio.

There are two recording modes: two-channel mode (48-kHz sampling and 16-bit quantization), which offers sound quality equivalent to the DAT (Digital Audio Tape) format, or four-channel (32-kHz sampling and 12-bit quantization).

Playback compatibility with DV and DVCPRO formats

A DV cassette recorded on a DV format VCR as well as a DVCPRO(25) format recorded cassette can be played back on this unit.

Note

When playing back a tape recorded in DVCPRO (25M) format, the SDTI and i.LINK outputs (*see the section "Digital interfaces" on the next page*) of this unit are muted. Furthermore, it is not possible to playback the cue-audio track of the tape.

Support for three cassette sizes

There are two sizes of DVCAM cassette: standard and mini. You can use either size with this unit.

The unit also accepts L and M sizes of DVCPRO cassette.

- The reel mechanism automatically adjusts to the size of cassette inserted.
- The capacity of a standard cassette is 184 minutes of recording/playback, and that of a mini cassette is 40 minutes.

Variety of Interfaces

Digital interfaces

The unit can use the following digital interfaces.

- **SDTI (QSDI)¹⁾**

This interface allows video, audio and time code signals in SDTI (QSDI) format to be transferred at normal speed between this unit and the ES-7 EditStation. When this unit is connected to another DVCAM VCR, it is possible to copy compressed signals between the two VCRs.

- **SDI²⁾**

This interface allows the unit to input or output D1 (component) digital video and audio signals.

- **AES/EBU**

This interface allows the unit to input or output digital audio signals in AES/EBU format.

- **i.LINK (DV)³⁾ (Optional DSBK-190 i.LINK/DV Input/Output Board)**

When the unit is fitted with the optional DSBK-190 i.LINK/DV Input/Output Board using i.LINK technology, it can input and output digital video and audio signals in DV format.

Analog interfaces

A wide range of analog interfaces is provided, allowing this unit to be connected to various video and audio devices.

- **Analog video:** Composite, component and S-video interfaces are provided.
- **Analog audio:** There are four input channels and four output channels. There is also support for microphone input.

Connection to external control devices

It is possible to connect a PVE-500, RM-450/450CE, FXE-100/100P/120/120P, BVE-900/910/2000/9000/9000P/9100/9100P or other editor equipped with an RS-422A interface, or a UVR-60/60P remote controller for the built-in digital video processor, and so forth.

Full Functionality for More Efficient Editing

This unit has a number of functions which assist in efficient and precise editing.

With two DSR-2000/2000P units together, you can carry out automatic or manual editing, using either assemble or insert editing.

The system also provides a powerful range of functions for setting and amending edit points, preview, review, and other aspects of efficient editing.

DMC (dynamic motion control) editing

You can save a varying speed, in the range -1 to +1 times normal speed, for an editing segment, and automatically edit with this varying speed.

Split editing

In insert editing, this allows the audio IN and OUT points to be set separately from the video IN and OUT points.

1) SDTI (QSDI): SDTI (Serial Data Transport Interface) is the name of a standard interface established as SMPTE 305M.

This unit uses SDTI to transmit DV data, and the input/output connectors are labeled "SDTI(QSDI)". In indicator and menu indications, however, the "SDTI(QSDI)" name is shortened to "SDTI".

2) SDI: Serial Digital Interface is used for transferring video signals in component digital format (D1).

3) **i** is a trademark of Sony Corporation and indicates that this product is in agreement with IEEE1394-1995 specifications and their revisions.

Preread editing

The audio or video on the tape can be read out using the preread heads. The signals then can be processed and rerecorded where they have been.

Cross-fade editing

For audio editing, you can select from cut-in editing, fade-in/fade-out editing, and cross-fade editing.

Support for ClipLink function

This unit accepts instructions from an EditStation, to transfer to the EditStation ClipLink log data held in the cassette memory or index pictures recorded on the tape. On the EditStation you can use these images and data to carry out editing operations efficiently.

- Displaying ClipLink log data
- Changing ClipLink log data OK/NG status
- Cuing up to Mark IN and cue points provided by ClipLink log data
- For cut editing, copying Mark IN data from ClipLink log data

For an overview of the ClipLink function, see the appendix "ClipLink Guide" (page 147).

Internal time code generator and reader

An internal timecode generator and reader enables timecode compliant with SMPTE/EBU format to be recorded and played back. This allows editing to single frame precision.

Outputting or inputting timecode (LTC) to or from an external device is also possible using the TIME CODE IN/OUT connectors.

The unit is also compatible with VITC.

High-speed search function

You can carry out a picture search while playing back in color within the range +60 to -60 times normal speed¹⁾.

When controlling the unit in shuttle mode from an editor or remote control unit, you can search at any speed in the range +60 to -60 times normal speed. In jog mode a frame by frame search is possible. During playback in the range +10 to -10 times normal speed, high-speed audio playback is also possible.

Digital slow motion playback

Using the frame memory function, noiseless slow motion playback is possible at any speed in the range +1 to -1 times normal speed.

Digital jog sound function

When searching at speeds in the range +1 to +¹/₃₀ or -¹/₃₀ to -1 times normal speed, the digital jog sound function is enabled. The audio signal is saved in temporary memory, and replayed according to the search speed. This allows searching on the sound track.

Video process control

For analog video output and SDI-format video output, you can adjust the video output level, chroma signal output level, setup level (for DSR-2000), black level (for DSR-2000P), and chroma phase.

1) The positive direction refers to forward movement of the tape, and the negative direction to reverse movement.

Other Features

Menu operations for functions and operating settings

To make it easier to use this unit for any particular purpose, various functions and operating settings are provided in the menu system.

Superimposing function

Timecode, operating mode, error messages, and other text information, can be superimposed on the SDI video signal and analog composite video signal output.

Functions for easy maintenance

- **Self-diagnosis and alarm function:** This automatically detects incorrect operations or connections, operating faults, and so forth, and displays details of the problem, the cause, and the action to be taken, in the control panel display section.
- **Digital hours meter:** This keeps four cumulative counts of the powered on time, the drum rotation time, the tape transport time, and the number of tape threadings and unthreadings, and displays them in the control panel display section.

Compatible with wide screen aspect ratio (16:9)

The unit can record and play back aspect ratio information. When video accompanied by wide-screen aspect ratio information is recorded or played back, the unit can output the video signal also containing the aspect ratio information.

Rack mountable

Using the optional RMM-130 Rack Mount Kit, you can mount the unit in an EIA standard 19-inch rack (height: 4 units).

Options

DSBK-190 i.LINK/DV Input/Output Board

This board enables cut editing between two DSR-2000/2000P units. It also allows you to connect the unit to other equipment provided with a Sony DV connector to carry out editing or dubbing of digital video and audio signals.

DSBK-200 Control Panel

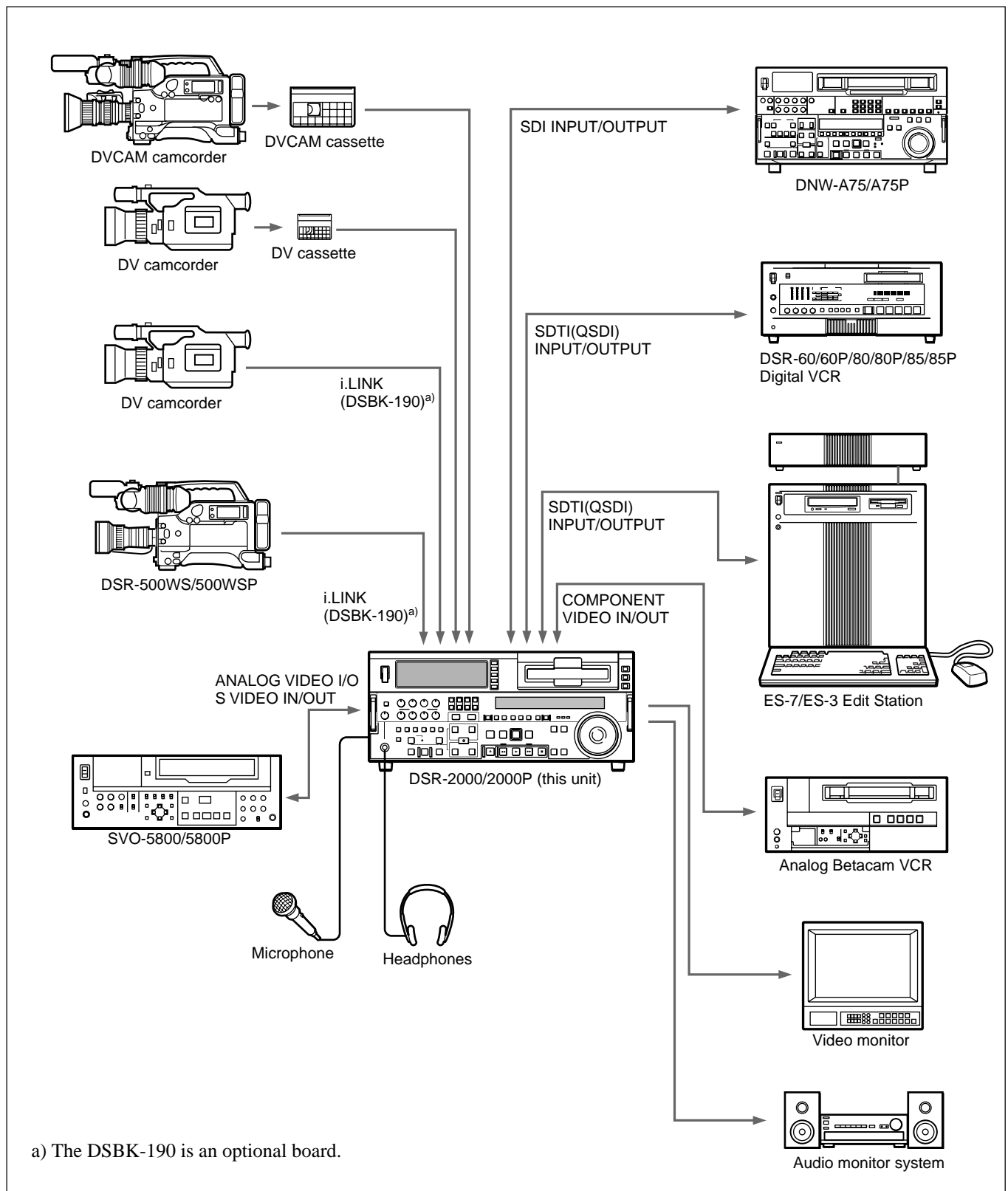
When connected to the unit, you can operate the unit remotely from the DSBK-200.

RMM-130 Rack Mount Kit

This kit can be used to mount the unit in an EIA-standard 19-inch rack.

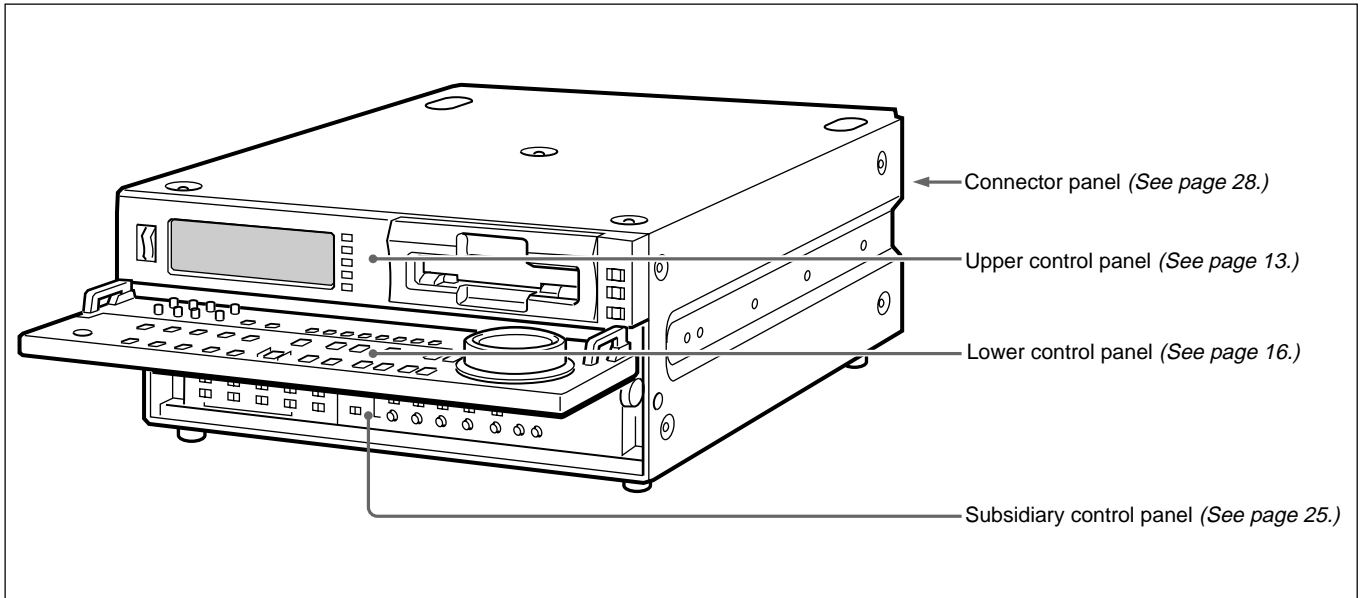
System Configuration

The figure below shows example equipment that can be connected to this unit.



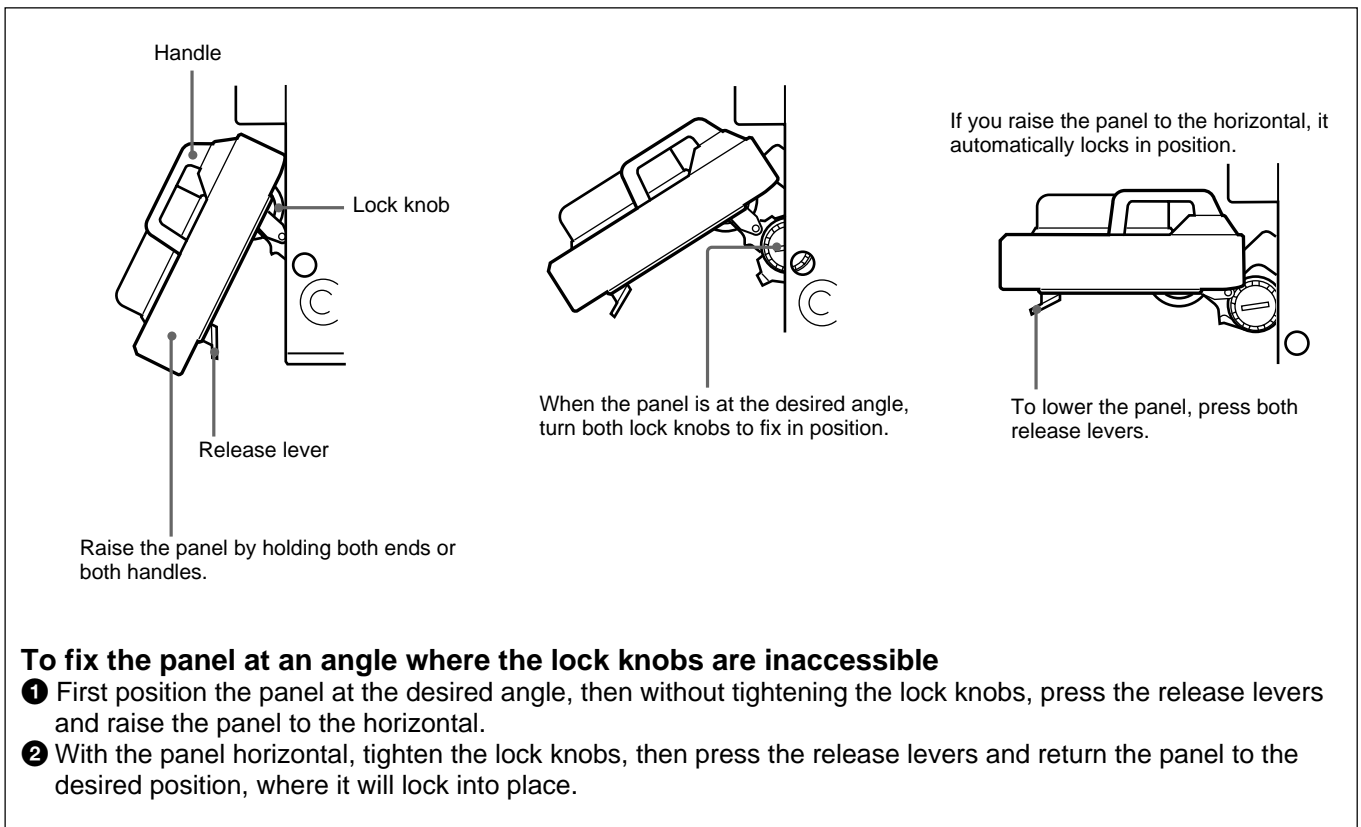
Location and Function of Parts

There are four control panels as shown in the figure below.

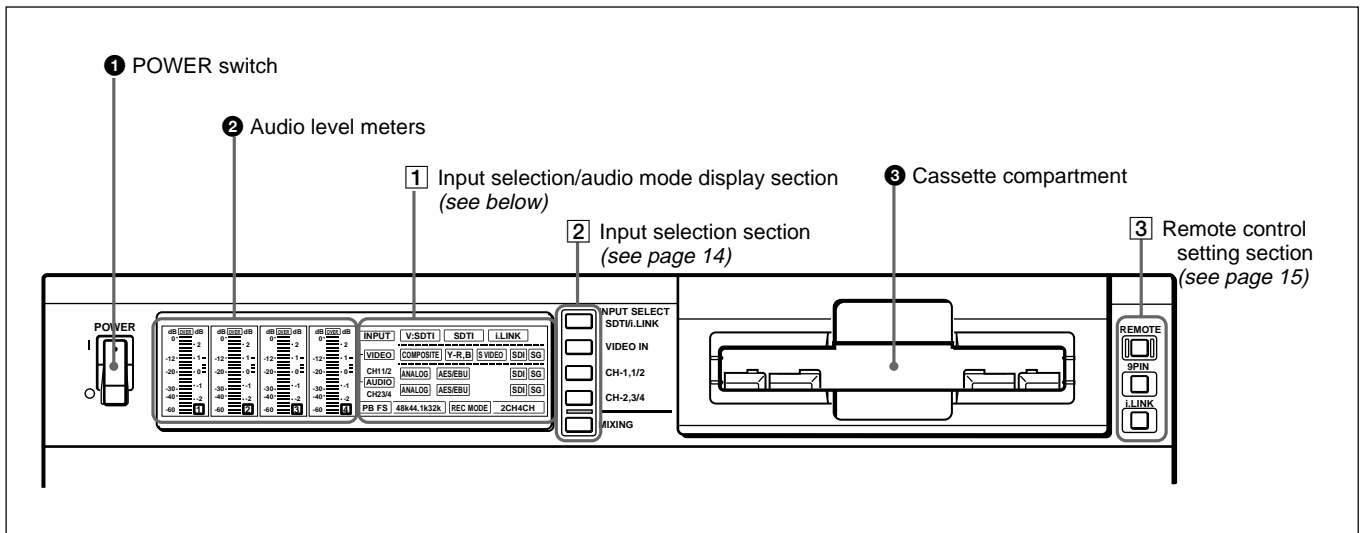


To adjust the position of the lower control panel

You can fix the lower control panel in any position between vertical and horizontal for ease of operation.



Upper Control Panel



1 POWER switch

Press the “I” side to power the unit on. When the unit is powered on, the display windows in the upper and lower control panels light.
To power the unit off, press the “O” side of the switch.

2 Audio level meters

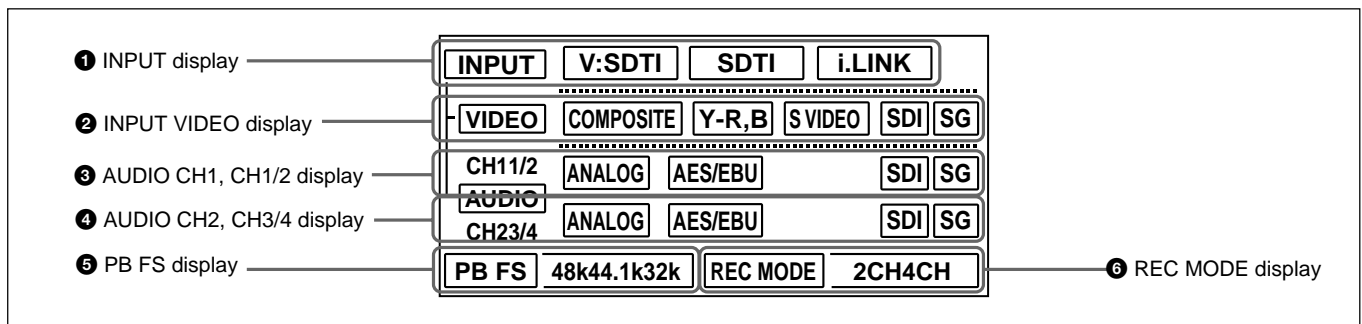
These show the audio levels of channels 1 to 4 (recording levels in recording mode or E-E mode¹⁾ and playback level in playback mode).
There are two modes for audio level indications: FULL and FINE, selected by the METER FULL/FINE button on the lower control panel.

3 Cassette compartment

Accepts DVCAM, DV and DVCPRO(25) videocassettes.

For details of usable cassettes, see page 33.

1 Input selection/audio mode display section



1) E-E mode: Abbreviation of “Electric-to-Electric mode”.
In this mode, video and audio signals input to the VCR are output after passing through internal electric circuits,

but not through magnetic conversion circuits such as heads and tapes. This can be used to check input signals and for adjusting input signal levels.

Location and Function of Parts

1 INPUT display

Indicates the input signal selected with the SDTI/i.LINK button in the input selection section.

V:SDTI: Digital video signal in SDTI(QSDI) format

SDTI: Digital video and audio signals in SDTI(QSDI) format

i.LINK: Digital video and audio signals in DV format, using i.LINK technology

2 INPUT VIDEO display

Indicates the input video signal selected with the VIDEO IN button in the input selection section.

COMPOSITE: Composite video signal

Y-R, B: Y, R-Y and B-Y component video signals

S VIDEO: S-video signal

SDI: SDI video signal

SG: Video test signal

3 AUDIO CH1, CH1/2 display

Indicates the input audio signal selected with the CH1, CH1/2 button in the input selection section.

ANALOG: Analog audio signal

AES/EBU: Digital audio signal in AES/EBU format

SDI: SDI audio signal

SG: Audio test signal

4 AUDIO CH2, CH3/4 display

Indicates the input audio signal selected with the CH2, CH3/4 button in the input selection section. The indications available are the same as for the AUDIO CH1, CH1/2 display described above.

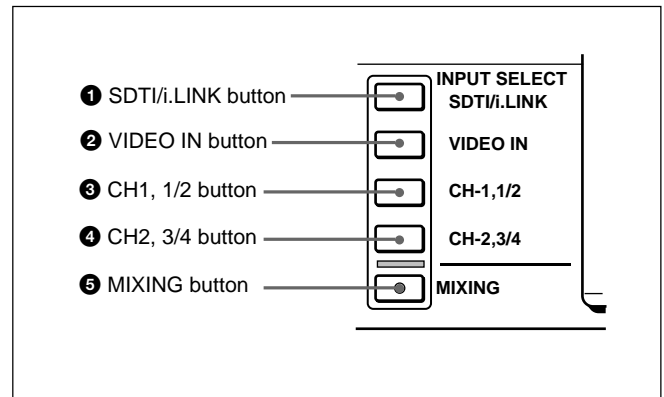
5 PB FS (playback audio sampling frequency) display

Indicates the sampling frequency (48 kHz, 44.1 kHz or 32 kHz) at which audio is recorded on tape.

6 REC MODE (audio recording mode) display

Indicates the audio recording mode (2CH or 4CH) selected with extended menu item 817.

2 Input selection section



1 SDTI/i.LINK (SDTI(QSDI) interface/i.LINK selection) button

Each press of this button cycles through the following input signal selection options.

- Digital video signal in SDTI(QSDI) format input to the SDTI(QSDI) INPUT connector
When this is selected, use the CH1, 1/2 button and CH2, 3/4 button to select the required input audio signals.
- Digital video and audio signals in SDTI(QSDI) format input to the SDTI(QSDI) INPUT connector
- Digital video and audio signals in DV format, using i.LINK technology, input to the i.LINK connector (available when the optional DSBK-190 i.LINK/DV Input/Output Board is installed)

In the input selection/audio mode display section, the INPUT display shows the selection made with this button.

2 VIDEO IN button

Each press of this button cycles through the following input video signal selection options.

- Composite video signal input to the VIDEO IN connectors.
- Component video signals input to the COMPONENT VIDEO Y/R-Y/B-Y IN connectors
- S-video signal input to the S VIDEO IN connector
- SDI video signal input to the SDI INPUT connector
- Video test signal (selected with extended menu item 710) generated by the internal signal generator

In the input selection/audio mode display section, the INPUT VIDEO display shows the selection made with this button.

③ CH1, 1/2 (audio channel 1 or 1/2) button

Each press of this button cycles through the following input audio signal selection options for audio channel 1 (when in 2-channel mode) or for audio channels 1 and 2 (when in 4-channel mode).

- Analog audio signal(s) input to the AUDIO IN CH-1 connector (when in 2-channel mode) or AUDIO IN CH-1 and CH-2 connectors (when in 4-channel mode).
- Digital audio signal in AES/EBU format input to the DIGITAL AUDIO (AES/EBU) CH-1/2 connector
- SDI audio signal input to the SDI INPUT connector
- Audio test signal (selected with extended menu item 808) generated by the internal signal generator

In the input selection/audio mode display section, the AUDIO CH1, CH1/2 display shows the selection made with this button.

④ CH2, 3/4 (audio channel 2 or 3/4) button

Each press of this button cycles through the input audio signal selection options for audio channel 2 (when in 2-channel mode) or for audio channels 3 and 4 (when in 4-channel mode) The input audio signal selection options corresponding to those for the CH1, 1/2 button described above are available.

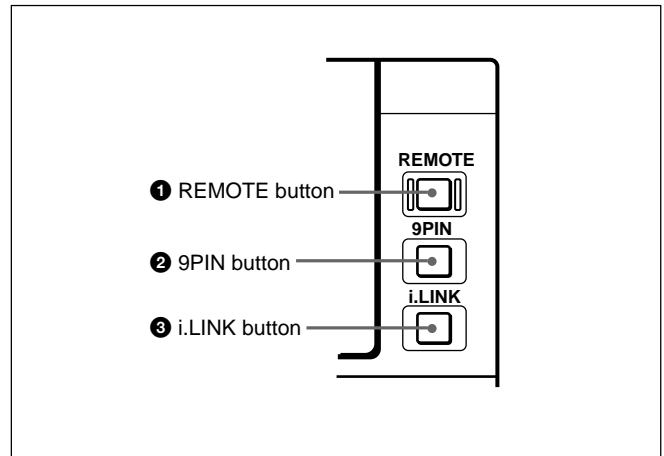
In the input selection/audio mode display section, the AUDIO CH2, CH3/4 display shows the selection made with this button.

⑤ MIXING (mixing setting on/off) button

This enables (ON) or disables (OFF) the setting for audio input mixing made with extended menu item 819.

If the selected signal (except for analog audio) is not supplied to the appropriate connector, the corresponding indicator in the input selection/audio mode display section flashes.

3 Remote control setting section



① REMOTE button

When remote-controlling this unit from the unit connected to the REMOTE-IN, REMOTE-OUT or i.LINK connector, press this button, turning it on.

② 9PIN button

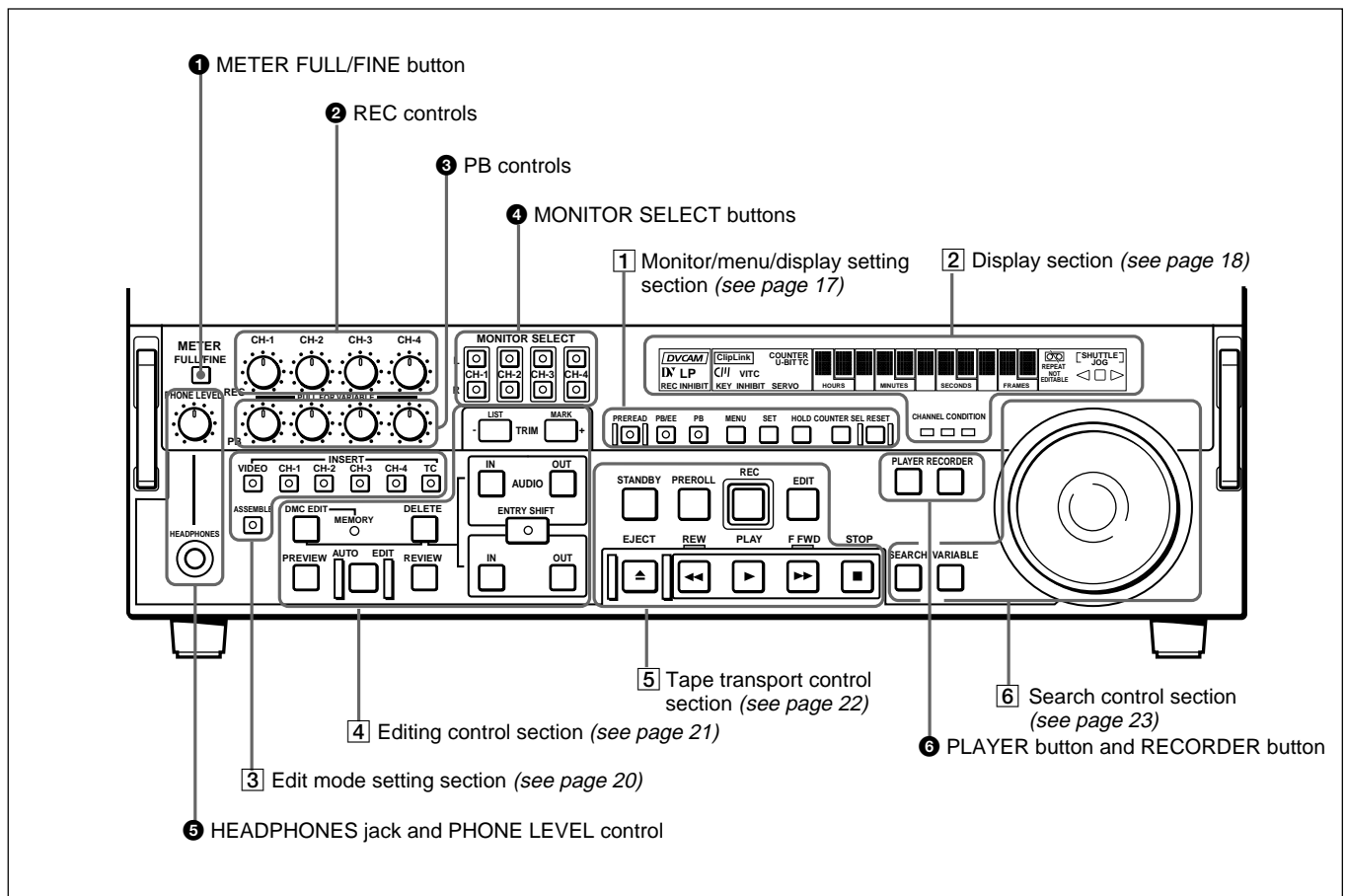
When carrying out remote control between this unit and the unit connected to the REMOTE-IN or REMOTE-OUT connector, press this button, turning it on.

③ i.LINK button

When carrying out remote control between this unit and the unit connected to the i.LINK connector, press this button, turning it on.

This button is effective only when the optional DSBK-190 i.LINK/DV Input/Output Board is installed.

Lower Control Panel



1 METER FULL/FINE button

This switches the display mode of the audio level meters in the upper control panel as follows:

FULL: In this mode the segment of the display corresponding to the current audio level and all lower segments light. A marker indicating the reference level (set with extended menu item 811) also appears.

FINE: The display is enlarged, with a step of 0.25 dB with respect to the reference level of 0 dB.

In this mode only the segment of the display corresponding to the current audio level lights. If the audio level exceeds the maximum display level, the top segment flashes, and if the audio level goes below the minimum display level, the bottom segment flashes.

2 REC (recording) controls

These individually adjust the recording levels on channels 1 to 4.

To set the recording level, put the unit in E-E mode, pull out the control knobs and adjust the level while watching the level meters.

When the control knobs are pushed in, the recording levels return to the preset levels and cannot be adjusted.

For details of selecting the E-E mode, see the description of the REC button in the tape transport control section (see page 22) and the PB/EE button in the monitor/menu/display setting section (see page 17).

③ PB (playback) controls

These adjust individually the playback levels on channels 1 to 4.

During playback, pull out the control knobs and adjust the level while watching the level meters.

When the control knobs are pushed in, the playback levels return to the preset levels, and cannot be adjusted.

④ MONITOR SELECT buttons

There are four buttons CH-1 to CH-4 (channels 1 to 4) in each of the upper (L) and lower (R) rows. Use these buttons to select the channels for audio output via the HEADPHONES connector on the lower control panel and the MONITOR AUDIO connector on the connector panel.

The HEADPHONES connector outputs stereo sound (L and R) and the MONITOR AUDIO connector outputs monaural sound (L and R mixed).

You can select two or more channels in either row by pressing the buttons for the desired channels simultaneously. The sounds of the channels selected in the row are mixed.

In 2-channel audio recording mode (selected with extended menu item 818), it is possible to use the AUDIO OUT CH-3 and AUDIO OUT CH-4 connectors for monitor audio output for channels 1 and 2, respectively (use extended menu item 820).

⑤ HEADPHONES jack and PHONE LEVEL control

Connect stereo headphones with an impedance of 8 ohms to monitor the sound during recording, playback and editing.

The PHONE LEVEL control knob adjusts the volume.

⑥ PLAYER button and RECORDER button

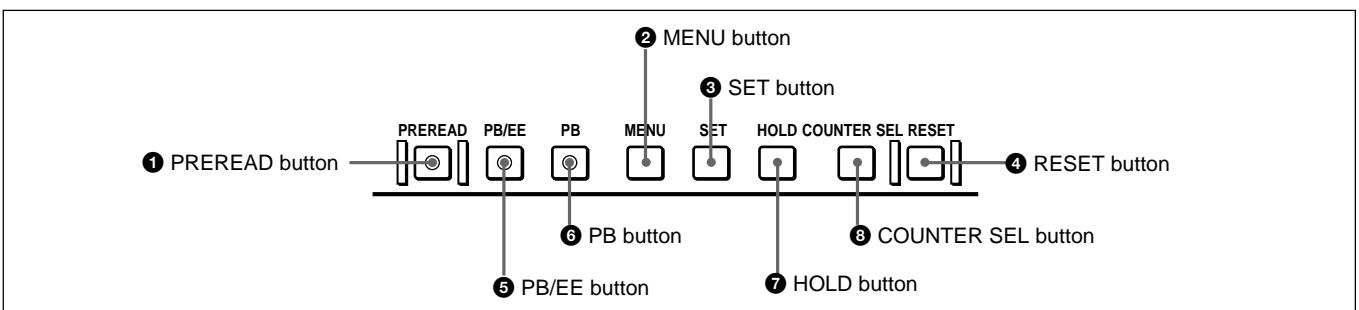
When you carry out editing using a VCR connected to the REMOTE-IN or REMOTE-OUT connector as the player and this unit as the recorder, these buttons select which VCR the editing control buttons and tape transport buttons on this unit control.

PLAYER: The editing control buttons and tape transport buttons on this unit control the external player VCR.

RECORDER: The editing control buttons and tape transport buttons on this unit control the recorder (this unit).

When this unit is being used in standalone mode, neither button functions.

1 Monitor/menu/display setting section



① PREREAD button

When this is lit, a pre-read (read-before-write) is carried out in insert editing.

For details of pre-read editing, see the section "Pre-read Editing" (page 87).

② MENU button

Use this button for setup menu operations.

Pressing this button, turning it on, shows setup menus in the time counter display (*see page 18*).

Press the button once more to exit from the menu display.

For details of setup menu operations, see Chapter 6 "Setup Menu" (page 107).

③ SET button

Use this button for setting time code and user bit values and in setup menu operations.

For details of setting time code and user bit values see Chapter 2 "Setting/Displaying Time Data and Text Information" (page 35).

Location and Function of Parts

4 RESET button

To reset a time counter value (COUNTER) shown in the time counter display, press this button. Resetting the COUNTER value erases all edit points. This button is also used for setting time code and user bit values and in setup menu operations.

5 PB/EE (playback/E-E) button

To select E-E mode input signals for the video/audio signals output during fast forward, rewind, still, and standby, press this button, turning it on. Either one of this button and the PB button is always lit.

6 PB (playback) button

To select playback signals for the video/audio signals output during fast forward, rewind, still, and standby, press this button, turning it on. Either one of this button and the PB/EE button is always lit.

7 HOLD button

To stop updating of the time code or user bit value in the time counter display (that is, to hold the display), press this button, turning it on. To set a time code or user bit value, first press this button to hold the value.

8 COUNTER SEL (select) button

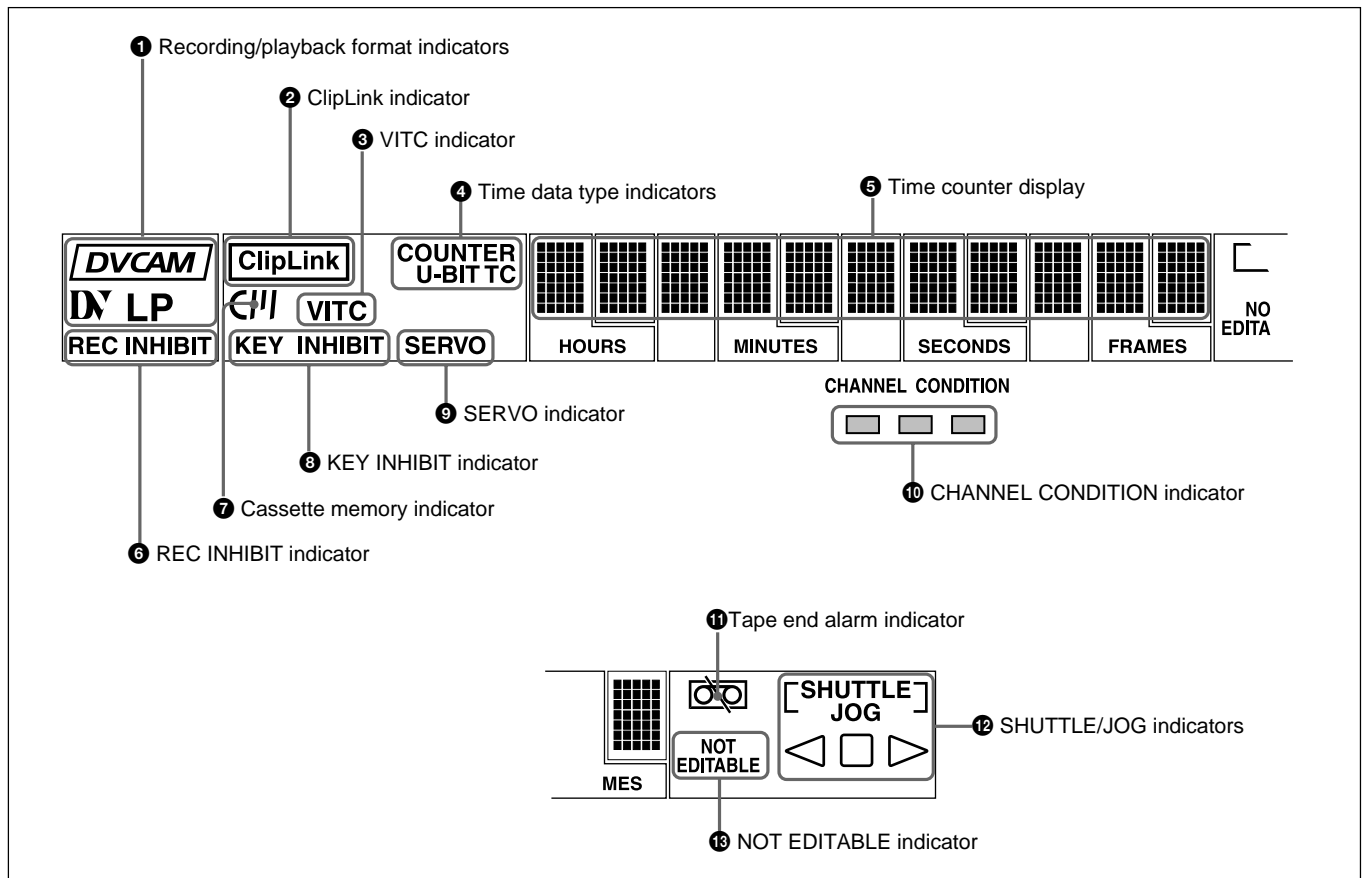
This switches the value shown in the time counter display in the following sequence: COUNTER, TC, U-BIT.

Time counter display selection

Selection	Value displayed
COUNTER	Tape running time (hours, minutes, seconds, frames)
TC	Playback time code read by the internal time code reader or time code being recorded. ^{a)}
U-BIT	User bit value inserted in the playback time code or time code being recorded. ^{a)}

a) The selection of TC or VITC is made by the TC SELECT switch on the subsidiary control panel.

2 Display section



1 Recording/playback format indicators

DVCAM: This lights when a tape recorded in DVCAM format is played back.

DV: This lights when a tape recorded in consumer DV format is played back.

LP: This lights when a tape recorded in LP mode is played back.

When a tape recorded in DVCPRO (25) format or any other format than those mentioned above is played back, none of the above indicators lights.

2 ClipLink indicator

Lights when a cassette is loaded on which ClipLink log data is stored in the cassette memory.

For details of ClipLink log data, see the appendix "ClipLink Guide" (page 147).

3 VITC indicator

Lights when VITC is being read or recorded regardless of the data shown in the time counter display.

4 Time data type indicators

One of the three indicators (COUNTER, U-BIT, and TC) lights to indicate the type of time data currently shown in the time counter display.

COUNTER: Count value of the time counter

U-BIT: User bit data

TC: SMPTE time code (DSR-2000) or EBU time code (DSR-2000P)

5 Time counter display

Indicates the count value of the time counter, time code, or user bit data depending on the settings of the COUNTER SEL button in the monitor/menu/display setting section and the TC SELECT switch on the subsidiary control panel.

Also used to display edit point values, edit duration values, error messages and setup menu data.

6 REC (recording) INHIBIT indicator

This indicator is on or off according to the combination of the setting of the REC INHIBIT switch on the subsidiary control panel and the REC/SAVE switch on the loaded cassette, as shown in the following table. When this indicator is on, recording on tape is prohibited.

REC INHIBIT indicator indications

REC INHIBIT switch position	State of the REC/SAVE switch on the cassette	REC INHIBIT indicator state
ON	SAVE/REC	Lit
OFF	SAVE	Lit ^{a)}
	REC	Off

a) It is possible to make a setting (extended menu item 107) so that in this case the indicator flashes.

7 Cassette memory indicator

Lights when a cassette provided with a memory chip ("cassette memory") is loaded.

8 KEY INHIBIT indicator

This indicator lights when the KEY INHIBIT switch on the subsidiary control panel is set to ON.

The buttons/switches to be operable even when this indicator is on can be determined using extended menu item 118.

9 SERVO indicator

When the drum servo and capstan servo are locked¹⁾, this indicator lights.

10 CHANNEL CONDITION indicator

This three-color indicator shows the state of the playback signal.

Green: The state of the playback signal is good.

Yellow: The playback signal is somewhat deteriorated, but playback is possible.

Red: The playback signal is deteriorated.

When the red indicator remains on, head cleaning or an internal inspection is necessary.

1) Servo lock: This refers to the synchronization of the phase of the drum rotation and the reference signal for the tape transport position, so that the video heads can trace the same pattern on the tape for playback or recording.

Location and Function of Parts

11 Tape end alarm indicator

Starts flashing when the remaining capacity of the tape is for about 2 minutes.

12 SHUTTLE/JOG indicators

When searching in shuttle or variable mode using the search dial, the SHUTTLE indicator lights, and when searching in jog mode using the search dial, the JOG indicator lights. When the search dial is turned clockwise causing playback to take place in the forward direction, the ▷ indicator lights. When the search dial is turned counterclockwise causing playback to take place in the reverse direction, the ◁ indicator lights. When the tape is stopped, the □ indicator lights.

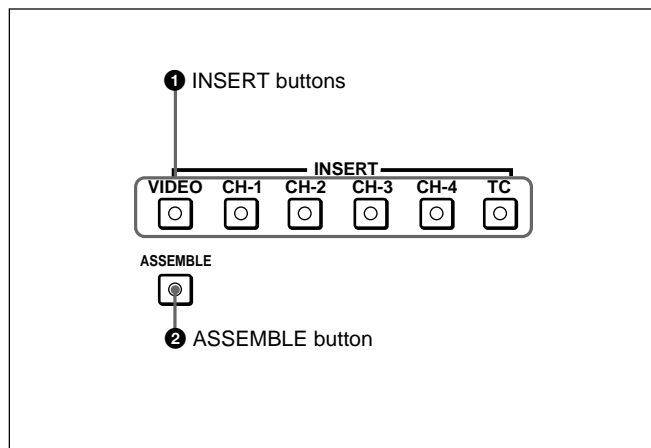
For more information about the search dial, see page 23.

13 NOT EDITABLE indicator

Lights during playback of a tape that contains a recording in other than the DVCAM format. When this indicator is lit, the recordings contained in the tape can be used as source material for editing, but editing operations such as insert editing and assemble editing cannot be performed.

This indicator also lights when the audio recording mode selected on this unit does not coincide with that of the loaded tape.

3 Edit mode setting section



1 INSERT buttons

Use these buttons to select the signals for insert editing¹⁾.

VIDEO: To select the video signal, press this button, turning it on.

CH-1 to CH-4 (channel 1 to channel 4): To select audio channels 1 to 4, press these buttons, turning them on. You can select any number of the channels.

TC: To select time code, press this button, turning it on.

2 ASSEMBLE button

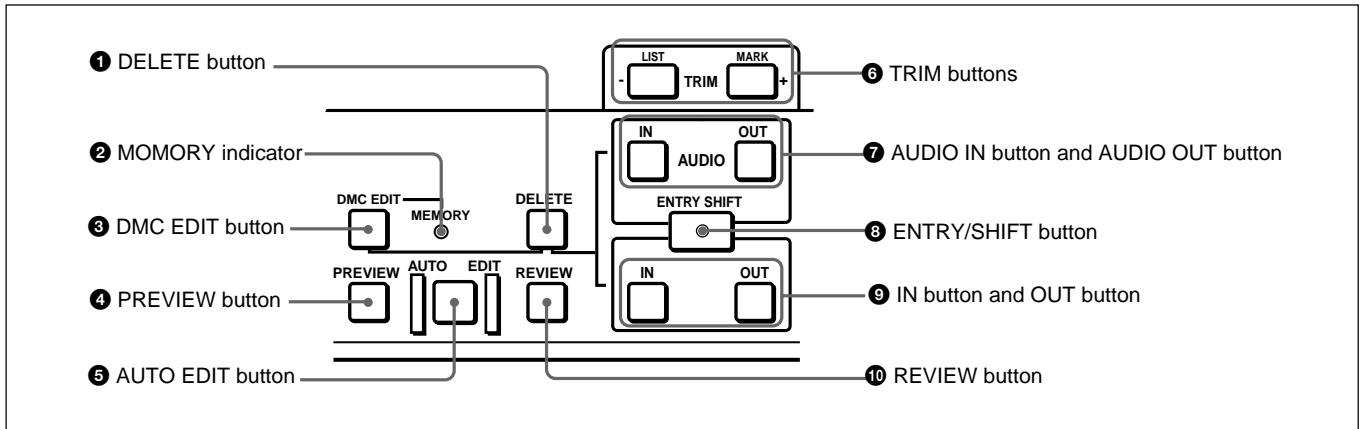
Press this button, turning it on, to carry out assemble editing²⁾.

All signals (video signals, audio signals, time code signals, and so forth) are recorded together.

1) Insert editing: Editing in which new video/audio is added into the middle of existing recorded video/audio.

2) Assemble editing: Editing in which new video/audio is added in sequence to the end of existing recorded video/audio.

4 Editing control section



1 DELETE button

This deletes an existing edit point.

Hold down this button and press the IN, OUT, AUDIO IN, or AUDIO OUT button which is lit, indicating an existing edit point. The button either goes off or flashes and the corresponding edit point is deleted. When the button flashes, it is necessary to set the deleted edit point again.

2 MEMORY indicator

When memorizing the playback speed using the DMC EDIT button, this indicator flashes as the playback speed is captured to memory, and lights continuously once the speed is captured.

3 DMC EDIT button

Use this button to memorize the playback speed varied between ± 1 times normal speed and carry out automatic playback or automatic editing using the memorized playback speed.

For information about how to carry out DMC playback or DMC editing using this button, see the section “Dynamic Motion Control (DMC) Playback” (page 55) and “DMC Editing” (page 84), respectively.

4 PREVIEW button

After setting edit points, to preview the editing results before carrying out the edit, press this button, turning it on.

If the IN point is not set, the preview is carried out with the point where you pressed this button as the IN point.

During the preview the button is lit, and when the preview ends it flashes.

5 AUTO (automatic) EDIT button

After setting edit points, to carry out automatic editing (recording), press this button, turning it on.

If the IN point is not set, the automatic editing is carried out with the point where you pressed this button as the IN point.

If you pressed the PREVIEW button to carry out a preview, when the preview ends this button flashes.

6 TRIM buttons

Use these buttons to trim an edit point to single-frame precision.

Hold down the IN, OUT, AUDIO IN, or AUDIO OUT button, and press one of these buttons. The MARK/+ button advances the corresponding edit point by one frame, and the LIST/- button sets it back by one frame.

During playback, pressing one of these buttons while holding down the PLAY button adjusts the tape speed by +8% or -8%, correspondingly. (Capstan override function)

These buttons are also used for ClipLink operations and setup menu operations.

For more information about ClipLink operations and setup menu operations, see Chapter 5 “ClipLink Operation” (page 97) and Chapter 6 “Setup Menu” (page 107), respectively.

7 AUDIO IN button and AUDIO OUT button

In insert editing, to set an audio IN point or audio OUT point separate from the corresponding video edit point, hold down the AUDIO IN button or AUDIO OUT button, and press the ENTRY/SHIFT button.

After you have made the setting, pressing the AUDIO IN button or AUDIO OUT button displays the audio IN point or audio OUT point set on the time counter display.

Location and Function of Parts

8 ENTRY/SHIFT button

Use this button for setting edit points, carrying out ClipLink operations, and so forth.

- To set a video IN point or OUT point: Hold down the IN button or OUT button, and press this button.
- To set an audio IN point or OUT point: Hold down the AUDIO IN button or AUDIO OUT button, and press this button.

For more information about ClipLink operation, see Chapter 5 "ClipLink Operation" (page 97).

9 IN button and OUT button

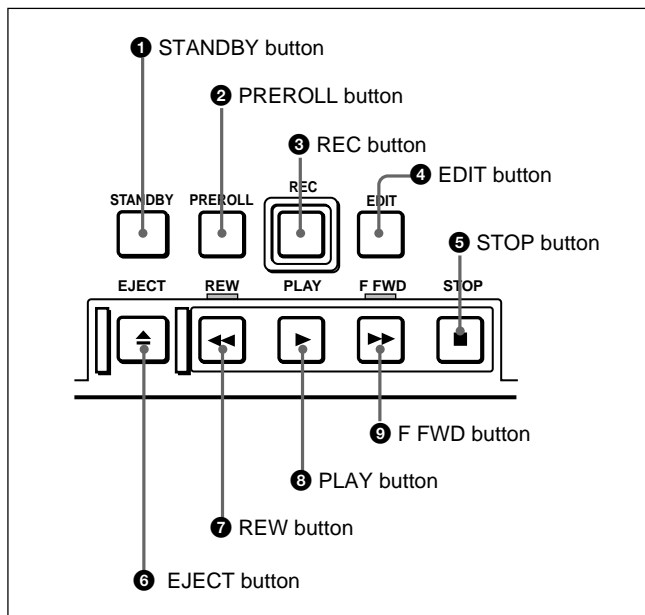
To set a video IN point or OUT point, hold down the IN button or OUT button, and press the ENTRY/SHIFT button.

After you have made the setting, pressing the IN button or OUT button displays the IN point or OUT point on the time counter display.

10 REVIEW button

Use this button to carry out a review of the editing results after carrying out automatic editing.

5 Tape transport control section



1 STANDBY button

When a cassette is inserted and this button is off, to put the VCR in standby mode, press the button, turning it on.

In standby mode, the drum is rotating and the tape is in contact with the drum. As a result, recording or playback can start immediately.

To end standby mode, press the STANDBY button, turning it off.

If eight minutes (value can be varied using extended menu item 501) elapse in standby mode, the unit automatically switches out of standby mode to protect the tape.

2 PREROLL button

Press this button to cue up to the preroll point (before the IN point by the time set as the preroll time) on the tape. You can change or select the preroll time and the state of the unit at the end of preroll (stop mode¹⁾ or still playback mode) using basic menu item 001 and extended menu item 401.

Cuing up to edit points

Hold down the IN, OUT, AUDIO IN, or AUDIO OUT button while pressing this button to cue up to the corresponding edit point.

3 REC (record) button

To start recording, press this button together with the PLAY button, turning it on.

Monitoring in E-E mode

When the unit is in stop mode, pressing this button lights it, and you can monitor the video and audio in E-E mode. To return to the original state, press the STOP button.

During playback, search, fast forward, or rewind, holding down this button allows you to monitor the video and audio in E-E mode. In this case the button does not light.

1) Stop mode: the state in which the device currently the subject of operation is stopped, and the STOP button is lit.

4 EDIT button

To carry out manual editing, press this button simultaneously with the PLAY button.

Monitoring in E-E mode

When the unit is in stop mode, pressing this button lights it, and you can monitor the input signal selected with the ASSEMBLE button or INSERT buttons in E-E mode. To return to the original state, press the STOP button. During playback, search, fast forward, or rewind, holding down this button allows you to monitor the video in E-E mode.

5 STOP button

To stop recording or playback, press this button, turning it on.

When you stop playback, the unit switches either to still playback or to E-E mode according to setup menu settings, and the settings of the PB/EE button and PB button.

Fault display function

This button flashes when there is no external reference signal input or the input external reference signal is not synchronized to the input video signal.

6 EJECT button

To eject the cassette, press this button. While the cassette is being ejected, this button lights.

7 REW (rewind) button

To rewind the tape, press this button, turning it on.

8 PLAY button

To start playback, press this button, turning it on.

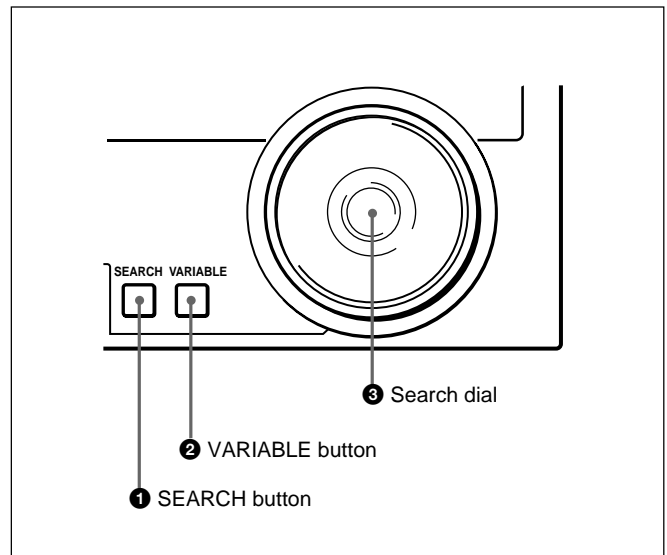
To operate in capstan override mode

Hold down this button, and turn the search dial.

For details of capstan override mode, see “**3 Search dial**” on this page.

9 F FWD (fast forward) button

To fast forward the tape, press this button, turning it on.

6 Search control section**1 SEARCH button**

To use the search dial for playback in shuttle or jog mode, press this button, turning it on. Pressing the dial toggles between shuttle and jog modes. In shuttle mode, the SHUTTLE indicator in the display section lights, and in jog mode, the JOG indicator in the display section lights.

2 VARIABLE button

To use the search dial for playback in variable speed mode, press this button, turning it on. Pressing the dial toggles between variable speed mode and jog mode.

3 Search dial

Turn this to carry out playback in the modes shown in the following table. Turning the dial clockwise lights the ▷ indicator in the display section and plays back in the forward direction. Turning the dial counterclockwise lights the ◁ indicator in the display section and plays back in the reverse direction. When the tape is stopped, the □ indicator in the display section lights.

Pressing this dial toggles between shuttle mode and jog mode (or between variable mode and jog mode). When playing back in shuttle or variable mode, the SHUTTLE indicator in the display section lights, and when playing back in jog mode, the JOG indicator lights.

You can carry out noiseless playback in the range of ± 1 times normal speed.

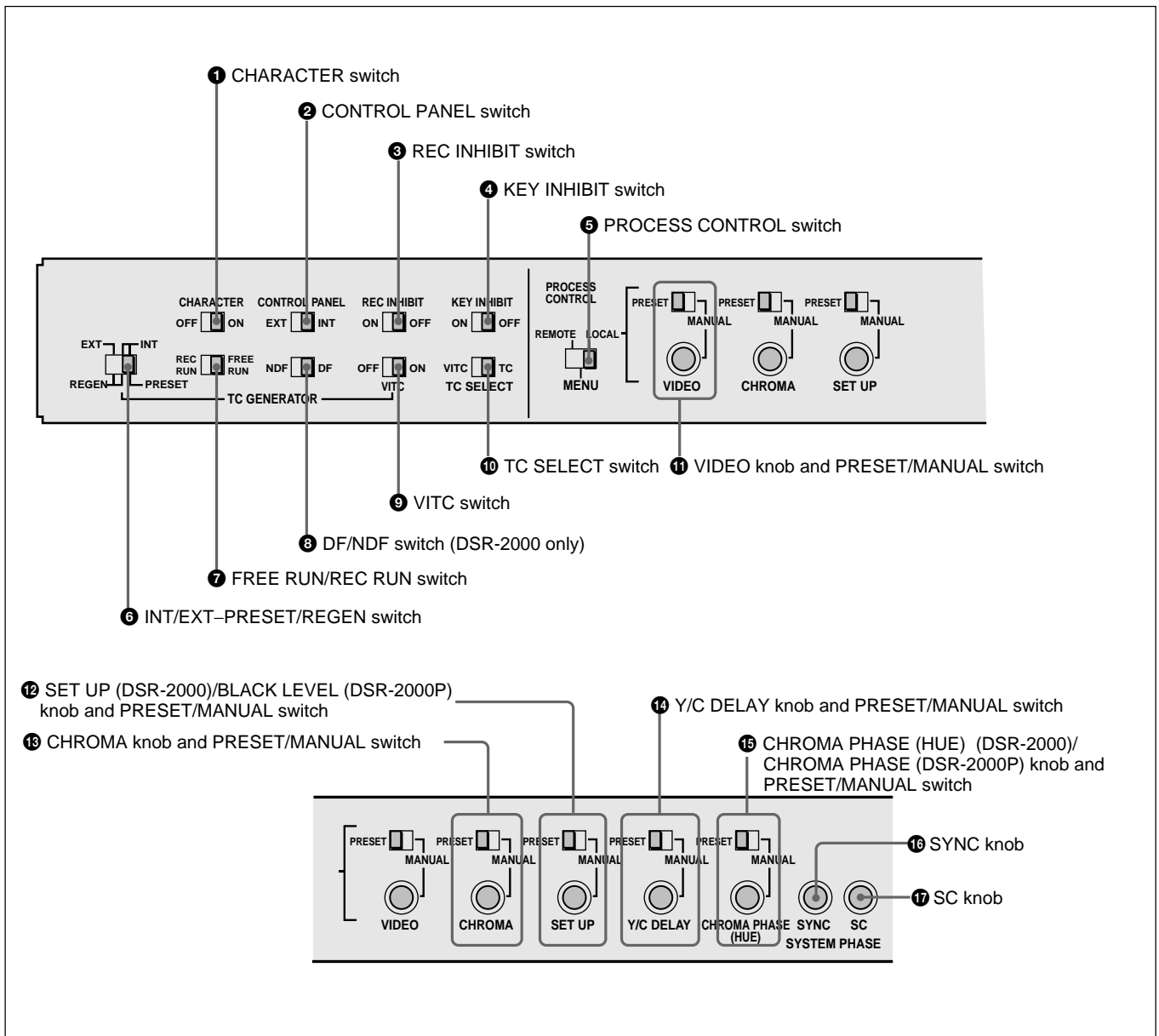
Location and Function of Parts

Playback modes using the search dial

Playback mode	Operations and functions
Shuttle	Press the SHUTTLE button or the search dial so that the SHUTTLE indicator in the display section lights, then turn the search dial. Playback is carried out at a speed determined by the position of the search dial. The maximum shuttle mode playback speed can be changed using extended menu item 102.
Jog	Press the SHUTTLE button or the search dial so that the JOG indicator in the display section lights, then turn the search dial. Playback is carried out at a speed determined by the speed of rotation of the search dial. The playback speed range is ± 1 times normal speed. The search dial has no detents.
Variable speed	Press the VARIABLE button, turning it on, then turn the search dial. You can control the playback speed finely (61 steps) in the range of -1 to $+2$ times normal speed. The search dial has detents at the still position and at the normal speed position. The variable mode playback speed range can be changed using extended menu item 119. Noiseless playback is possible in the range of ± 1 times normal speed.
Capstan override	Hold down the PLAY button and turn the search dial to adjust the playback speed in the range of $\pm 15\%$. Use this for phase adjustment between this unit and an external device connected to this unit.

Changing the setting of extended menu item 101 enables you to select shuttle or jog mode just by turning the search dial without using the SEARCH or VARIABLE button.

Subsidiary Control Panel



1 CHARACTER switch

Select whether or not to superimpose text information such as time code, menu settings, and alarm messages on the video signal output from the SDI OUTPUT 3 (SUPER) connector and VIDEO OUT 3 (SUPER) connector.

ON: Superimposed text

OFF: No superimposed text

The factory default setting is ON.

2 CONTROL PANEL switch

Select the state of the control panel when this unit is operated.

INT: When operating this unit by its own control panel.

EXT: When operating this unit remotely by the optional DSBK-200 Control Panel connected to the CONTROL PANEL connector.

The factory default setting is INT.

Location and Function of Parts

3 REC (record) INHIBIT switch

When this switch is set to ON, the REC INHIBIT indicator in the display section lights, and recording on tape is no longer possible.

4 KEY INHIBIT switch

When this switch is set to ON, the KEY INHIBIT indicator in the display section lights, and the buttons in the upper control panel and lower control panel specified by the setting of extended menu item 118 are disabled.

5 PROCESS CONTROL switch

This selects the method of control of the internal digital video processor.

REMOTE: Select this position to use an optional UVR-60/60P or BVR-50/50P Remote Control Unit for remote control of the internal digital video processor.

MENU: Select this position to use the setup menu to change the settings for the internal digital video processor.

LOCAL: Select this position to use the subsidiary control panel to change the settings for the internal digital video processor.

6 INT/EXT-PRESET/REGEN (internal/external-preset/regenerated) switch

This switch is used to make selections relating to the time code and the internal time code generator. (In this Operating Instructions, this switch may also be called simply as the INT/EXT switch or PRESET/REGEN switch depending on the contents of the description in which the switch is referred to.)

Selection of internal/external time code

Setting	Time code used
INT	The time code produced by the internal time code generator By setting the switch in the INT/REGEN position or INT/PRESET position, you can select "PRESET" or "REGEN" for the internal time code generator (see the next table).
EXT	The external time code selected as follows. <ul style="list-style-type: none"> • When the TC SELECT switch is set to TC The external time code input to the TIME CODE IN connector • When the TC SELECT switch is set to VITC The VITC time code included in the input video signal In this case, for the internal time code generator, "REGEN" is always selected (see the next table).

Selection relating to the internal time code generator

Setting	Operation of the internal time code generator
PRESET	The initial value of the time code produced by the internal time code generator can be preset by a control panel operation or by remote control from a device connected to the REMOTE-IN or REMOTE-OUT connector.
REGEN	The internal time code generator is synchronized to the playback time code read by the internal time code reader.

7 FREE RUN/REC RUN switch

This switch selects the time code run mode of the internal time code generator.

FREE RUN: Regardless of the operating mode of this unit, the time code value advances continuously while the power is on.

REC RUN: The time code value advances only during recording. When this mode is selected, set the INT/EXT-PRESET/REGEN switch to INT-PRESET.

8 DF/NDF (drop-frame/non-drop-frame) switch (for the DSR-2000 only)

This switch selects the mode of advancing the time code generator and time counter.

DF: Drop-frame mode

NDF: Non-drop-frame mode

Note

When the PRESET/REGEN switch is set to REGEN, since the time code generator is synchronized to the playback time code, this switch has no effect.

9 VITC switch and indicator

To record the time code produced by the internal time code generator as a VITC, set this switch to ON.

When this switch is set to OFF, internally generated time code is not recorded as VITC, but VITC present in the input video signal is recorded unchanged.

10 TC (time code) SELECT switch

This switch selects the time code, TC or VITC, shown in the time counter display. When VITC is selected, the VITC indicator in the display section lights.

11 VIDEO knob and PRESET/MANUAL switch

The switch makes the selection described below. When it is set to MANUAL, you can use the knob to adjust the video signal output level.

PRESET: Regardless of the position of the knob, the video signal output level is set to the reference value.

MANUAL: You can adjust the video signal output level in the range ± 3 dB. You can change the adjustment range using extended menu item 714.

12 SET UP (DSR-2000)/BLACK LEVEL (DSR-2000P) knob and PRESET/MANUAL switch

The switch makes the selection described below. When it is set to MANUAL, you can use the knob to adjust the (black) setup level (DSR-2000) or black level (DSR-2000P).

PRESET: Regardless of the position of the knob, the setup level (DSR-2000) or black level (DSR-2000P) is set to the reference value.

MANUAL: You can adjust the setup level (DSR-2000) in the range ± 30 IRE¹⁾, or the black level (DSR-2000P) in the range ± 210 mV.

13 CHROMA (chrominance) knob and PRESET/MANUAL switch

The switch makes the selection described below. When it is set to MANUAL, you can use the knob to adjust the chrominance signal output level.

PRESET: Regardless of the position of the knob, the chrominance signal output level is set to the reference value.

MANUAL: You can adjust the chrominance signal output level in the range ± 3 dB. You can change the adjustment range using extended menu item 714.

14 Y/C DELAY knob and PRESET/MANUAL switch

The switch makes the selection described below. When it is set to MANUAL, you can use the knob to adjust the Y/C delay.

PRESET: Regardless of the position of the knob, the Y/C delay is set to the reference value.

MANUAL: You can adjust the Y/C delay in the range ± 100 ns.

15 CHROMA PHASE (HUE) (DSR-2000)/CHROMA PHASE (DSR-2000P) knob and PRESET/MANUAL switch

The switch makes the selection described below. When it is set to MANUAL, you can use the knob to adjust the hue/chrominance phase (the phase difference from a burst signal).

PRESET: Regardless of the position of the knob, the hue/chrominance phase is set to the reference value.

MANUAL: You can adjust the hue/chrominance phase in the range $\pm 30^\circ$.

16 SYNC knob

This adjusts the output signal sync phase with respect to the input reference signal to this unit in the range ± 3 μ s.

Use this adjustment when the output phase of this unit is not accurately aligned with the reference signal phase, or when carrying out special effects editing with this unit and other VCRs connected to a switcher or other equipment.

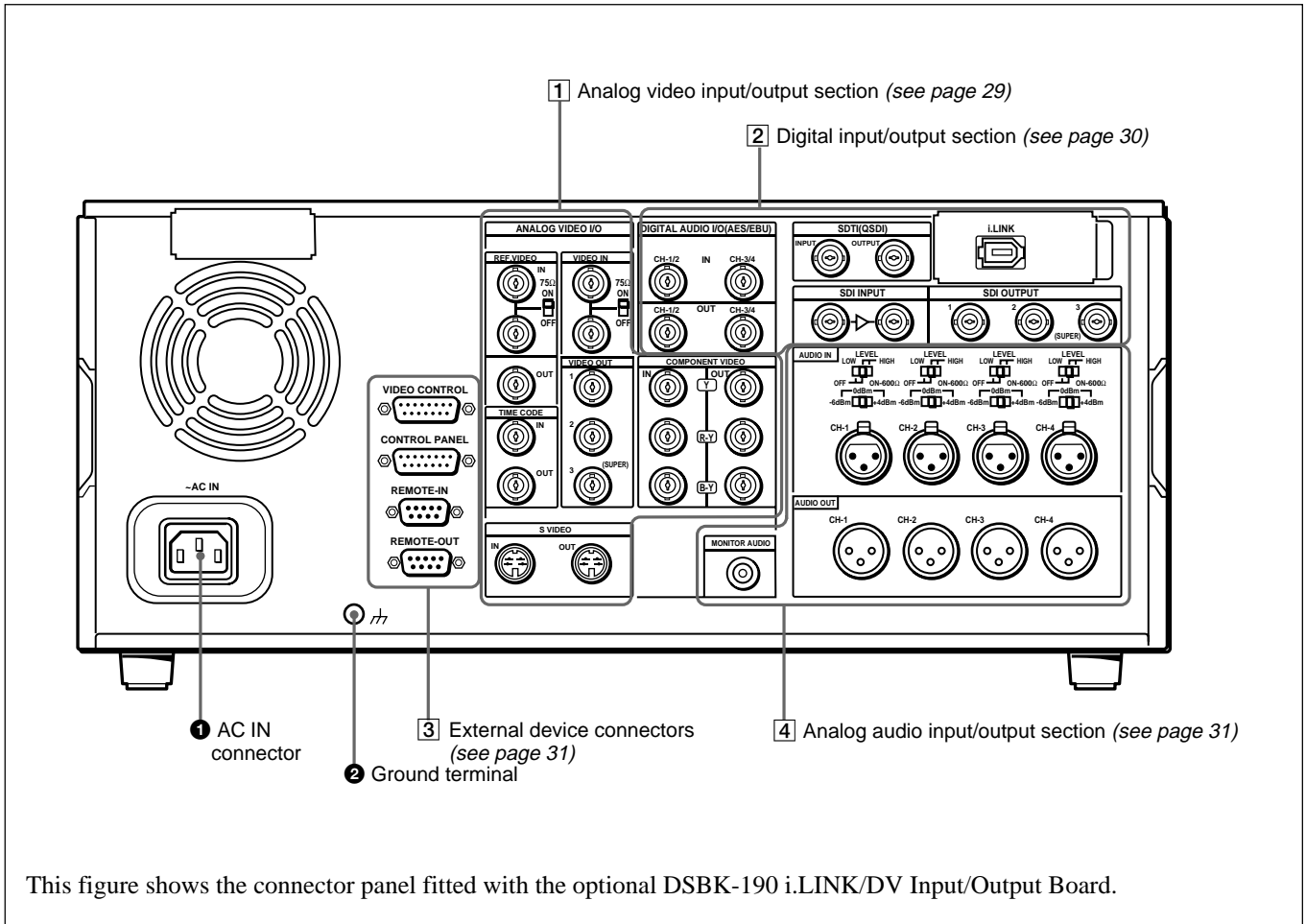
17 SC (subcarrier) knob

This adjusts the output signal subcarrier phase with respect to the input reference signal to this unit in the range $\pm 180^\circ$.

For editing with composite signals, use this adjustment when the output phase of this unit with respect to the phase of the reference signal is not accurately aligned with the subcarrier phase.

1) IRE: A unit for representing a video level laid down by the IRE (Institute of Radio Engineers). The IRE is now the IEEE (Institute of Electrical and Electronic Engineers).

Connector Panel



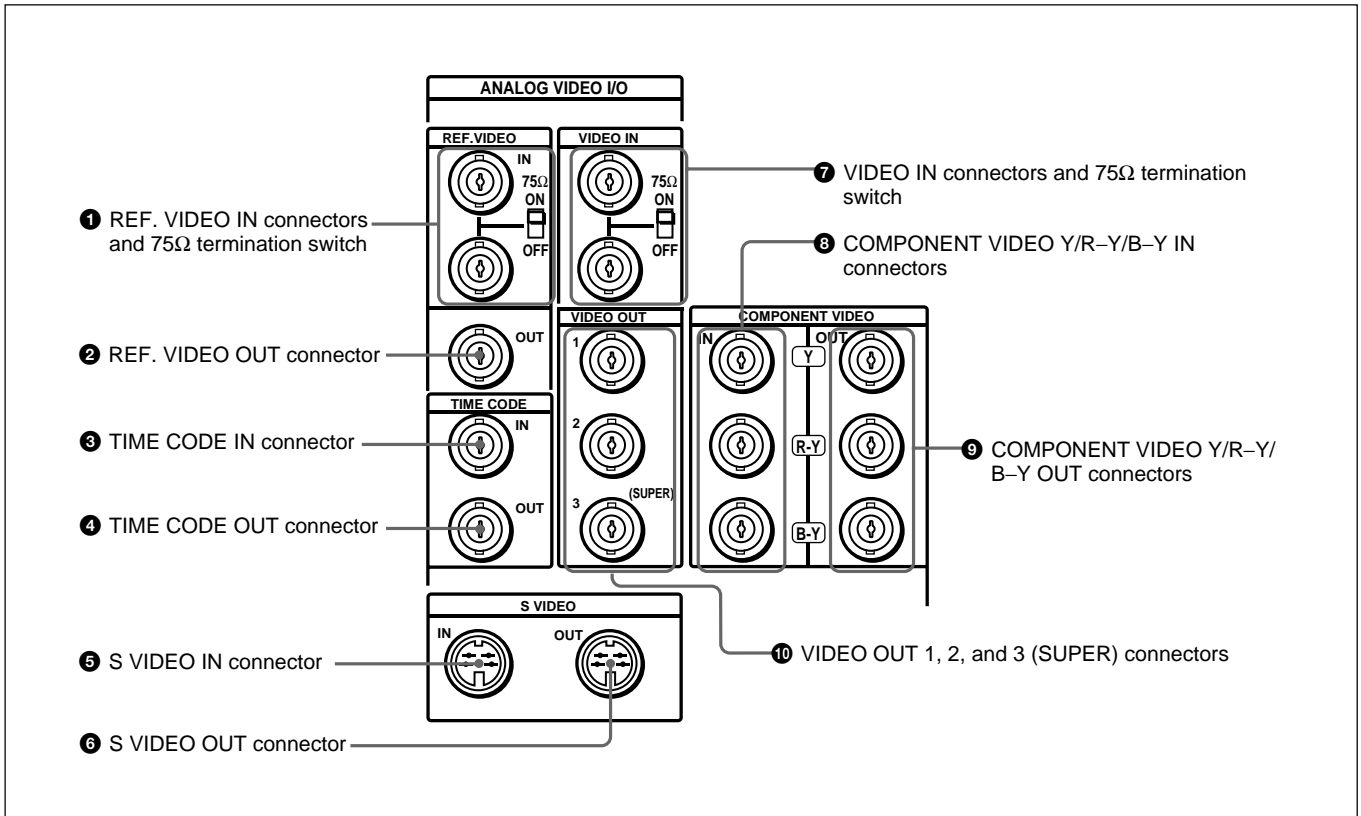
1 AC IN connector

Use the optional power cord to connect this to an AC outlet.

2 Ground terminal

Connect this to ground.

1 Analog video input/output section



1 REF. (reference) VIDEO IN connectors (BNC type) and 75Ω termination switch

Input a reference video signal to one of these connectors. The two connectors can be used for a loop-through connection. When making a loop-through connection, set the termination switch to OFF, and when not, set the switch to ON.

2 REF. (reference) VIDEO OUT connector (BNC type)

This connector outputs a reference video signal, except when i.LINK is selected in the input selection section (see page 14).

3 TIME CODE IN connector (BNC type)

Input SMPTE time code (DSR-2000) or EBU time code (DSR-2000P) externally generated to this connector.

4 TIME CODE OUT connector (BNC type)

This connector outputs a time code according to the operating state of the unit, as follows:

During playback: the playback time code

During recording: the time code generated by the internal time code generator or the time code input to the TIME CODE IN connector.

For more information about the time code output during recording, see extended setup menu item 611.

5 S VIDEO IN connector (4-pin)

Input an S-video signal with separated Y (luminance) and C (chroma: 3.58 MHz for DSR-2000 or 4.43 MHz for DSR-2000P) components to this connector.

6 S VIDEO OUT connector (4-pin)

This connector outputs an S-video signal with separated Y (luminance) and C (chroma: 3.58 MHz for DSR-2000 or 4.43 MHz for DSR-2000P) components.

7 VIDEO IN connectors (BNC type) and 75Ω termination switch

Input an analog composite video signal to one of these connectors. The two connectors can be used for a loop-through connection. When making a loop-through connection, set the 75Ω termination switch to OFF and when not, set the switch to ON.

Location and Function of Parts

8 COMPONENT VIDEO Y/R–Y/B–Y IN connectors (BNC type)

Input analog component video signals (Y/R–Y/B–Y) to these connectors.

9 COMPONENT VIDEO Y/R–Y/B–Y OUT connectors (BNC type)

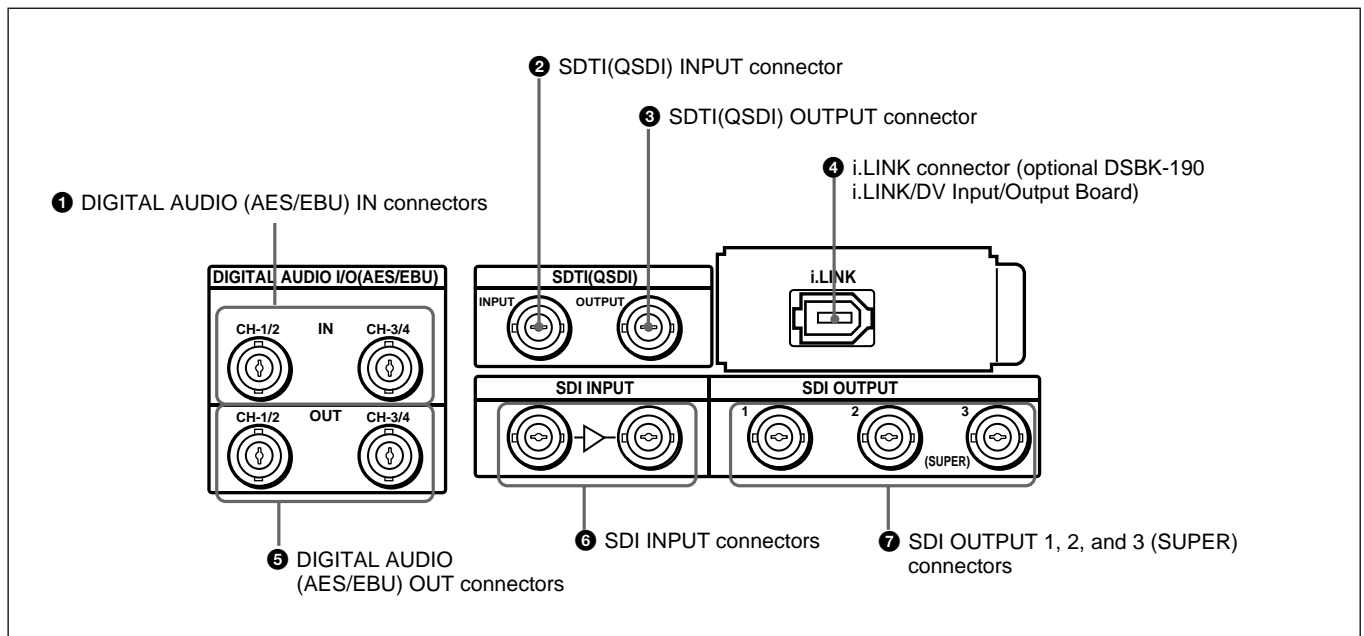
These connectors output analog component video signals (Y/R–Y/B–Y).

10 VIDEO OUT 1, 2, and 3 (SUPER) connectors (BNC type)

These connectors output analog composite video signals.

When the CHARACTER switch on the subsidiary control panel is set to ON, connector 3 (SUPER) outputs a signal with superimposed text information.

2 Digital input/output section



1 DIGITAL AUDIO (AES/EBU) IN connectors (BNC type)

Input digital audio signals in AES/EBU format to these connectors.

The left-hand connector (CH-1/2) is for audio channels 1 and 2, and the right-hand connector (CH-3/4) is for audio channels 3 and 4.

2 SDTI (QSDI) (Serial Data Transport Interface (QSDI)) INPUT connector (BNC type)

Input digital video and audio signals in SDTI (QSDI) format to this connector.

3 SDTI (QSDI) (Serial Data Transport Interface (QSDI)) OUTPUT connector (BNC type)

This connector outputs digital video and audio signals in SDTI (QSDI) format.

Note

When searching at speeds in the range +1 to +¹/₃₀ or –¹/₃₀ to –1 times normal speed, the audio signal output from this connector and monitored on external equipment may sound differently from the audio signal played back on this unit.

4 i.LINK connector (6-pin IEEE-1394)(optional DSBK-190 i.LINK/DV Input/Output Board)

This connector is available when the optional DSBK-190 i.LINK/DV Input/Output Board is fitted.

This connector inputs and outputs digital video and audio signals in DV format.

Note

When searching at speeds in the range +1 to +¹/₃₀ or –¹/₃₀ to –1 times normal speed, the audio signal output from this connector and monitored on external equipment may sound differently from the audio signal played back on this unit.

5 DIGITAL AUDIO (AES/EBU) OUT connectors (BNC type)

These connectors output digital audio signals in AES/EBU format.

The left-hand connector (CH-1/2) is for audio channels 1 and 2, and the right-hand connector (CH-3/4) is for audio channels 3 and 4.

6 SDI (Serial Digital Interface) INPUT connectors (BNC type)

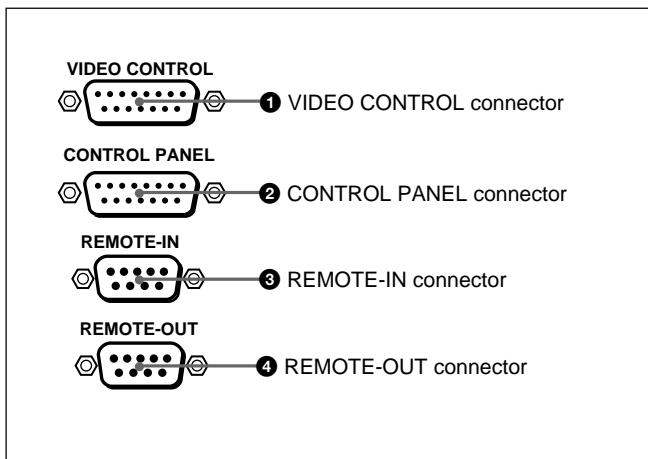
Input digital video and audio signals in SDI (D1) format to the left-hand connector. The right-hand connector is for an active-through connection.

7 SDI (Serial Digital Interface) OUTPUT 1, 2 and 3 (SUPER) connectors (BNC type)

These connectors output digital video and audio signals in SDI (D1) format.

When the CHARACTER switch on the subsidiary control panel is set to ON, connector 3 (SUPER) outputs a signal with superimposed text information.

3 External device connectors



1 VIDEO CONTROL connector (D-sub 15-pin)

For remote control of the internal digital video processor, connect an optional remote control unit such as the UVR-60/60P or BVR-50/50P to this connector.

Note

Always power off this unit before connecting the remote control unit.

2 CONTROL PANEL connector (D-sub 15-pin)

When using the optional DSBK-200 Control Panel to remotely control this unit, connect the DSBK-200 to this connector.

3 REMOTE-IN connector (D-sub 9-pin)

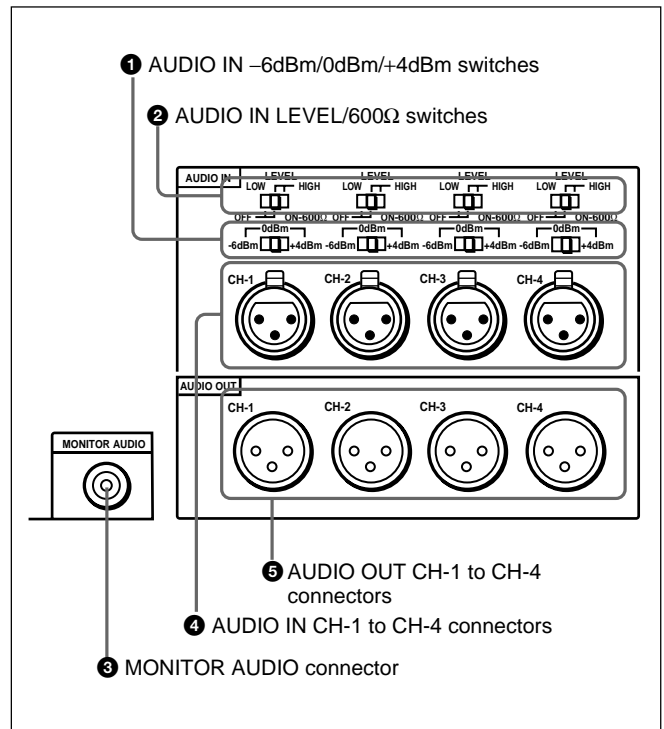
When controlling this unit from an editing controller such as the ES-7, PVE-500, BVE-600/800/910, or RM-450/450CE, connect the unit to the editing controller via this connector using the supplied 9-pin remote control cable.

When controlling another VCR from this unit, connect the VCR to this connector.

4 REMOTE-OUT connector (D-sub 9-pin)

This connector provides the loop-through output for remote control signals from the REMOTE-IN connector.

4 Analog audio input/output section



1 AUDIO IN -6dBm/0dBm/+4dBm switches

Set these switches according to the audio input levels to the AUDIO IN CH-1 to CH-4 connectors.

Location and Function of Parts

② AUDIO IN LEVEL/600Ω switches

Set these switches for each channel as shown in the following table, according to the audio input levels to the AUDIO IN CH-1 to CH-4 connectors and the impedance.

Settings of the AUDIO IN LEVEL/600Ω switches

Audio input		Switch setting
Level	Impedance	
-60dBs (microphone input)	High impedance (about 20kΩ)	LOW-OFF (left position)
+4dBs/0dBs/-6dBs (line audio input)	High impedance (about 20kΩ)	HIGH-OFF (middle position)
+4dBm/0dBm/-6dBm (line audio input)	600Ω	HIGH-ON (right position)

③ MONITOR AUDIO connector (RCA phono jack)

This connector outputs audio signals for monitoring. The audio signals to be output from this connector can be selected with the MONITOR SELECT buttons on the lower control panel.

④ AUDIO IN CH-1 (channel 1) to CH-4 connectors (XLR 3-pin, female)

Use these connectors to connect separate channels of audio input from a player VCR or other external audio equipment.

⑤ AUDIO OUT CH-1 (channel 1) to CH-4 connectors (XLR 3-pin, male)

These connectors output channel-1 to channel-4 audio signals, respectively.

In 2-channel audio recording mode (selected with extended menu item 818), it is possible to use the AUDIO OUT CH-3 and AUDIO OUT CH-4 connectors for monitor audio output for channels 1 and 2, respectively (use extended menu item 820).

Usable Cassettes

This unit can use the DVCAM cassettes listed below.

Model name	Size
PDV-64ME/94ME/124ME/184ME	Standard size
PDVM-12ME/22ME/32ME/40ME	Mini size

The numbers in each model name indicate the maximum recording/playback time (in minutes) for each model. For example, the PDV-184ME has a maximum recording/playback time of 184 minutes.

Cassettes usable for playback only

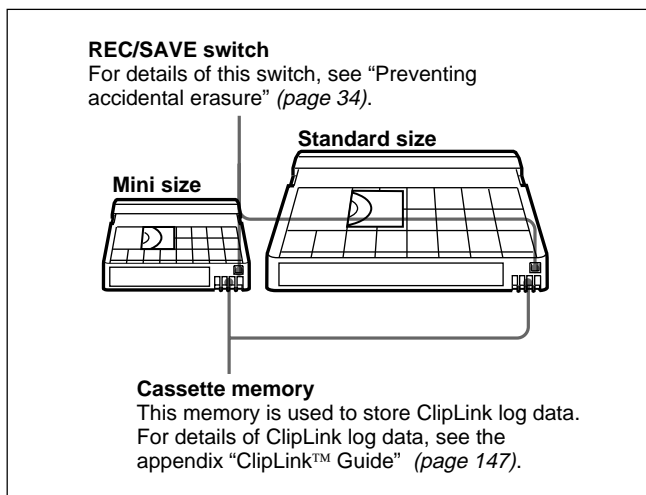
All consumer DV cassettes and L- and M-size DVCPRO (25M) cassettes are usable for playback only.

Notes

- If you insert an incorrect type of cassette, it will be automatically ejected.
- When operating this unit as a player, you can also use DV cassettes on the unit. However, it is the best choice to always use DVCAM cassettes because they are more reliable than DV cassettes whatever your purpose may be: playback, editing, or long-period storage of recordings.
- Cassettes that have been recorded by a DV-format recorder can be played back on this unit but cannot be used for recording at editing operation such as the setting of edit points. When you insert such a cassette into this unit, the NOT EDITABLE indicator lights up in the lower control panel display section.

DVCAM cassettes

The following figure illustrates the DVCAM cassette's appearance.



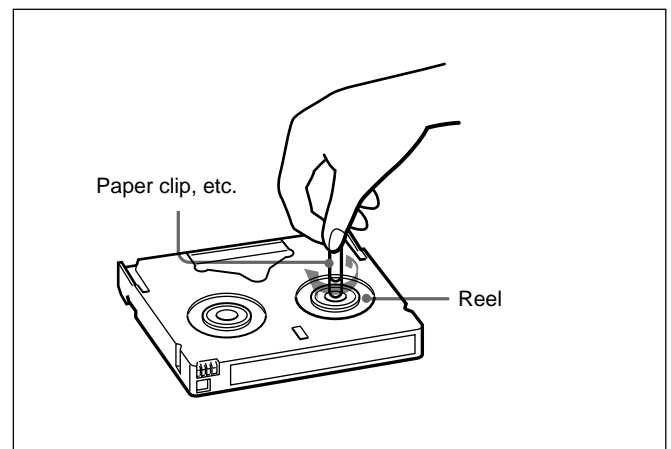
Notes on using cassettes

- Before storing the cassette, rewind the tape to the beginning and be sure to put the cassette in its storage case, preferably on end instead of flat on its side. The storage case of a DVCAM cassette is specially designed to ensure a long-period storage of the tape. Storing a cassette in any other condition (not rewound, out of its case, etc.) may cause the video and audio contents to become damaged over time.
- If the cassette memory connector (contact point) becomes dirty, connection problems may occur, causing a loss of functions. Remove away any dust or dirt from this area before using the cassette.
- If the cassette is dropped on the floor or otherwise receives a hard impact, the tape may become slackened and may not record and/or play back correctly.

For information about how to check the tape for slack, see the next section.

Checking the tape for slack

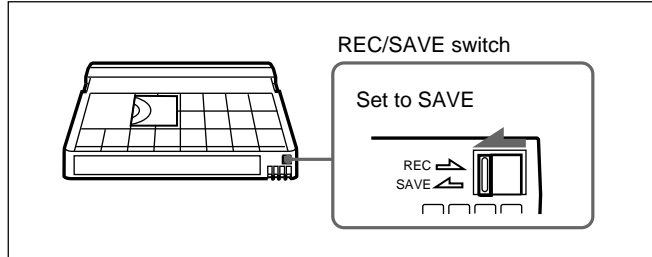
Using a paper clip or a similar object, turn the reel gently in the direction shown by the arrow. If the reel does not move, there is no slack. Insert the cassette into the cassette compartment, and after about 10 seconds take it out.



Location and Function of Parts

Preventing accidental erasure

Set the REC/SAVE switch on the cassette to SAVE to prevent accidental erasure of recorded contents.



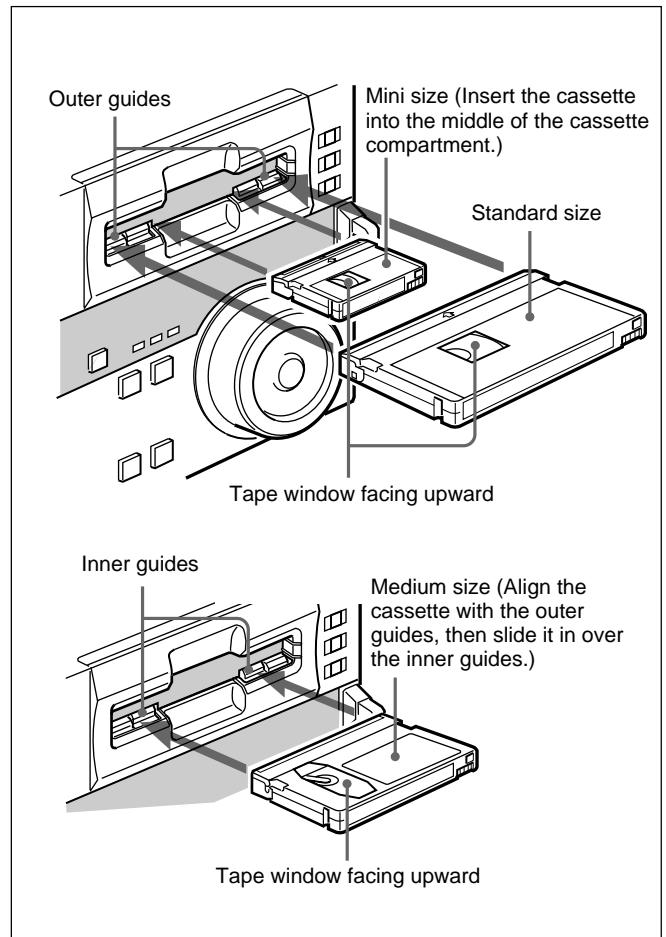
To enable re-recording

Set the cassette's REC/SAVE switch to REC. When this switch is set to SAVE, the unit cannot record on the tape.

Inserting and Ejecting Cassettes

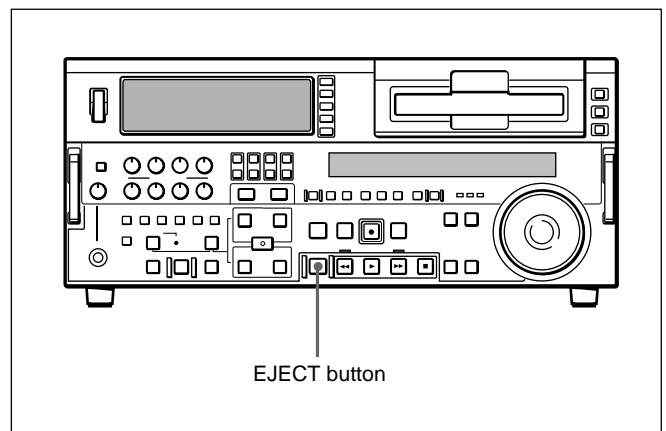
Inserting a cassette

This unit accepts three sizes of cassette: L (standard size), M (medium size: DVCPRO) and S (mini size). When inserting a cassette in the unit, make sure its tape window faces upward as shown in the following figure.



Ejecting a cassette

Press the EJECT button.



Setting/Displaying Time Data and Text Information

Displaying Time Data and Unit's Operating Status— Superimposing Text Information

To display superimposed time data and text information about the operating status of the unit on the monitor, set the CHARACTER switch on the subsidiary control panel to ON.

When the CHARACTER switch is set to ON, the text information is superimposed on the output of the VIDEO OUT 3 (SUPER) connector and also of the SDI OUTPUT 3 (SUPER) connector.

To adjust the displayed text

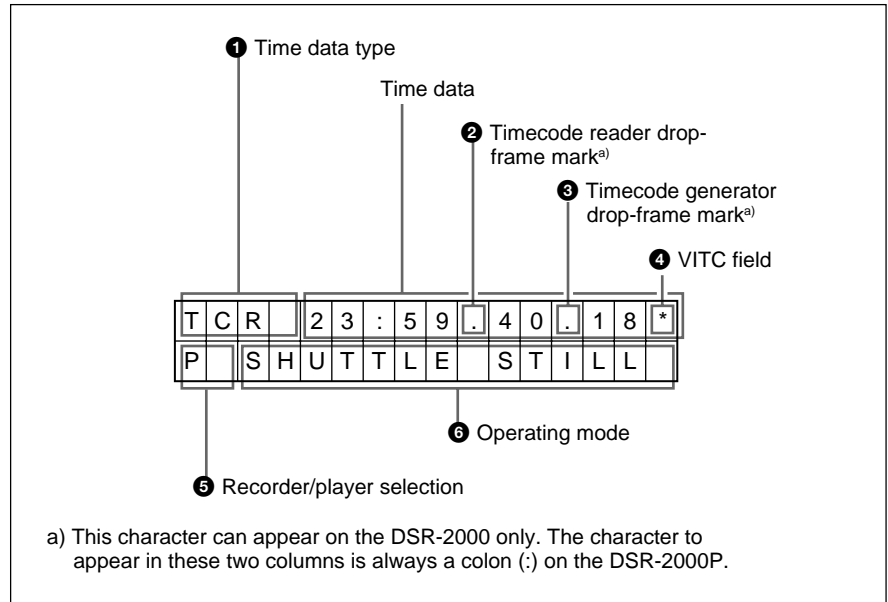
You can adjust the position, size, and type of superimposed information using setup menu items 002, 003, 009, and 011.

For details, see pages 108 and 109.

Displaying Time Data and Unit's Operating Status—Superimposing Text Information

Information displayed

The figure below shows the time data and operation status that can be superimposed.



Note

The example above shows the factory default configuration. You can use setup menu item 005 to display a different type of time data in the second line as well.

For details, see page 108.

1 Time data type

Display	Meaning
CNT	Count value of the time counter (COUNTER)
TCR	Timecode reader timecode data
UBR	Timecode reader user bits data
TCR.	VITC reader time code data
UBR.	VITC reader user bits data
TCG	Timecode generator timecode data
UBG	Timecode generator user bits data
IN	IN point time data
OUT	OUT point time data
AI	Audio IN point time data
AO	Audio OUT point time data
DUR	The duration between any two of the four edit points (IN, OUT, AUDIO IN, AUDIO OUT)
T*R ^{a)}	Time code data from time code reader. The asterisk indicates an interpolation by the time code reader to make up for the time code data not correctly read from the tape.
U*R ^{a)}	User bit data from the time code reader. The asterisk indicates that last data is retained by the time code reader, as the new data has not been read correctly from the tape.

a) “*” appears when data has not been correctly read from tape.

② Time code reader drop-frame mark (for DSR-2000 only)

.	Drop frame mode (factory default setting)
:	Non-drop frame mode

③ Time code generator drop-frame mark (for DSR-2000 only)

.	Drop frame mode (factory default setting)
:	Non-drop frame mode

④ VITC field

“ ” (blank): Fields 1 and 3

“*”: Fields 2 and 4

⑤ Recorder/player selection

The indication changes depending on the status of the RECORDER/PLAYER buttons.

No display: Neither of the RECORDER and PLAYER buttons is lit.

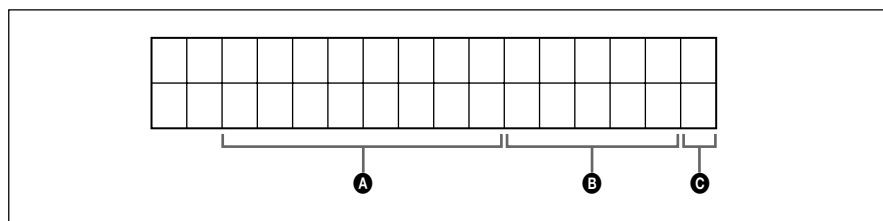
P: The PLAYER button is lit.

R: The RECORDER button is lit.

⑥ Operation mode

The field is divided into three blocks, A, B and C.

- Block A displays the operation mode.
- Block B displays the servo lock status or tape speed.
- Block C displays a ■ mark to indicate an edit section during automatic editing.



Displaying Time Data and Unit's Operating Status—Superimposing Text Information

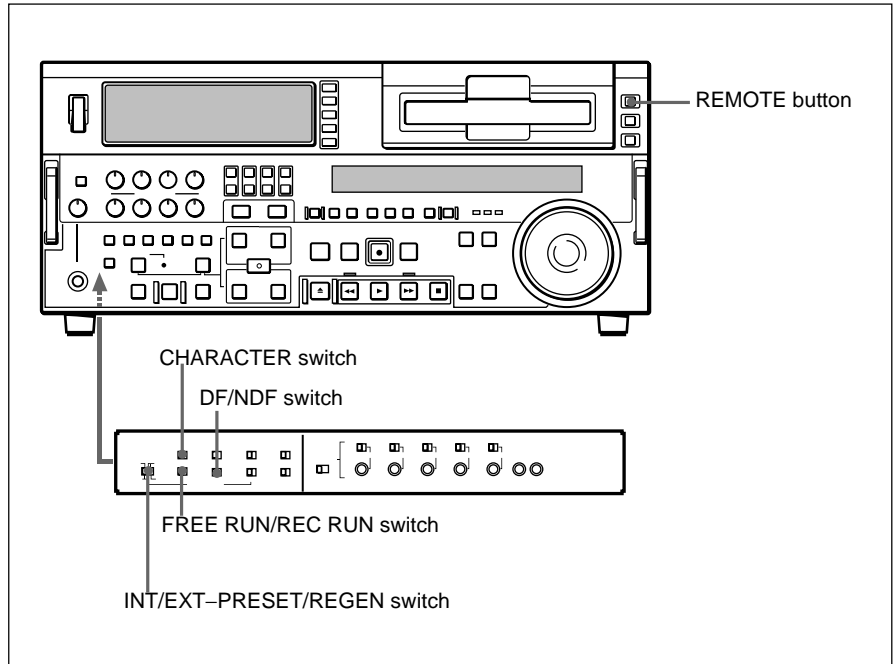
Display		Operation mode
Block A	Block B	
CASSETTE OUT		Cassette is not loaded
TAPE UNTHREAD		Tape has not been threaded
STANDBY OFF		Standby off mode
T.RELEASE		Tape tension released
STOP		Stop mode
F.FWD		Fast forward mode
REW		Rewind mode
PREROLL		Preroll mode
PLAY		Playback mode (servo unlocked)
PLAY	LOCK	Playback mode (servo locked)
PLAY	Deviation from normal speed (%)	Capstan override mode
REC		Record mode (servo unlocked)
REC	LOCK	Record mode (servo locked)
EDIT		Edit mode (servo unlocked)
EDIT	LOCK	Edit mode (servo locked)
JOG	STILL	A still picture in jog mode
JOG	FWD	Jog mode in forward direction
JOG	REV	Jog mode in reverse direction
SHUTTLE	(Speed)	Shuttle mode
VAR	(Speed)	Variable mode
AUTO EDIT		Automatic editing mode
PREVIEW		Preview mode
REVIEW		Review mode
DMC	(Speed) ^{a)}	DMC playback speed
D-PREV	(Speed) ^{a)}	DMC editing preview mode
D-EDIT	(Speed) ^{a)}	DMC editing mode
DMC-SPD	(Speed)	DMC initial speed setting

a) Initial speed settings or stored speed settings

Setting Time Code and User Bits

Setting an Initial Time Code Value

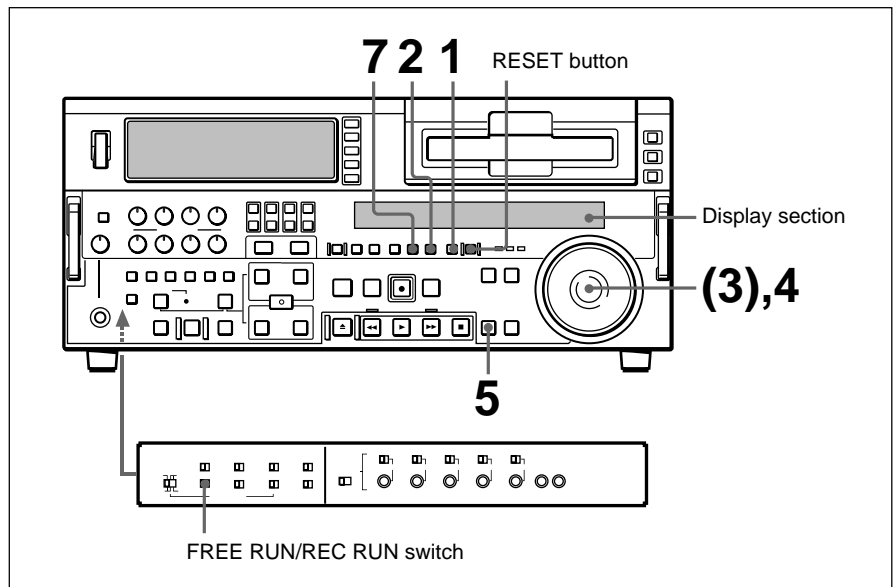
Set the buttons and switches as shown below.



Button/switch settings

Buttons/switches	Settings
REMOTE button	Off
CHARACTER switch	ON
INT/EXT-PRESET/REGEN switch	INT-PRESET
FREE RUN/REC RUN switch	As required
DF/NDF switch	As required

To set an initial time code value, use the following procedure.



Setting Time Code and User Bits

- 1** Press the COUNTER SEL button and select TC.

Time data type indicator TC lights in the display section of the lower control panel.

- 2** Press the HOLD button.

The first digit of the time counter display (hours:minutes:seconds:frames) in the display section begins to flash.

To set all digits to 0

Press the RESET button.

- 3** Confirm the JOG indicator in the display section is lit. If not lit, press the search dial to select jog mode.

- 4** Select the digit to set by rotating the search dial.

The flashing digit changes to the digit on the right when you rotate the search dial clockwise, and to the digit on the left when you rotate it counterclockwise.

- 5** Set the value for the flashing digit by rotating the search dial while pressing the SEARCH button.

- 6** Repeat steps **4** and **5** until you finish setting all digits.

- 7** Press the SET button.

If the FREE RUN/REC RUN switch is set to FREE RUN, the time code starts to advance immediately.

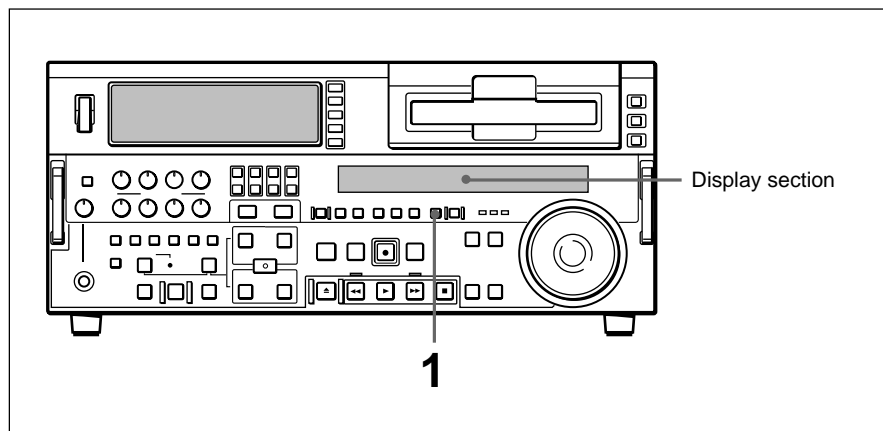
To set time code to the current time

- 1** Set the FREE RUN/REC RUN switch and DF/NDF switch (for DSR-2000 only) on the subsidiary control panel to FRR RUN and DF, respectively.
- 2** Carry out steps **1** to **6** of the previous section “Setting an initial time code value” to set the time code to a time slightly ahead of the current time.
- 3** Press the SET button at the instant when the current time matches the displayed time code.

To set user bits

You can record up to 8 hexadecimal digits of information (date, time, event number, etc.) in the time code track.

Proceed as follows.



- 1** Watching the time data type indicator in the display section, press the COUNTER SEL button and select U-BIT.
- 2** Carry out steps **2** to **7** of the section “Setting an initial time code value” (page 39).

Settings are made in hexadecimal (0, 1, 2,... 8, 9, A, B,... E, F).

Synchronizing the Internal Time Code Generator With an External Signal—External Lock

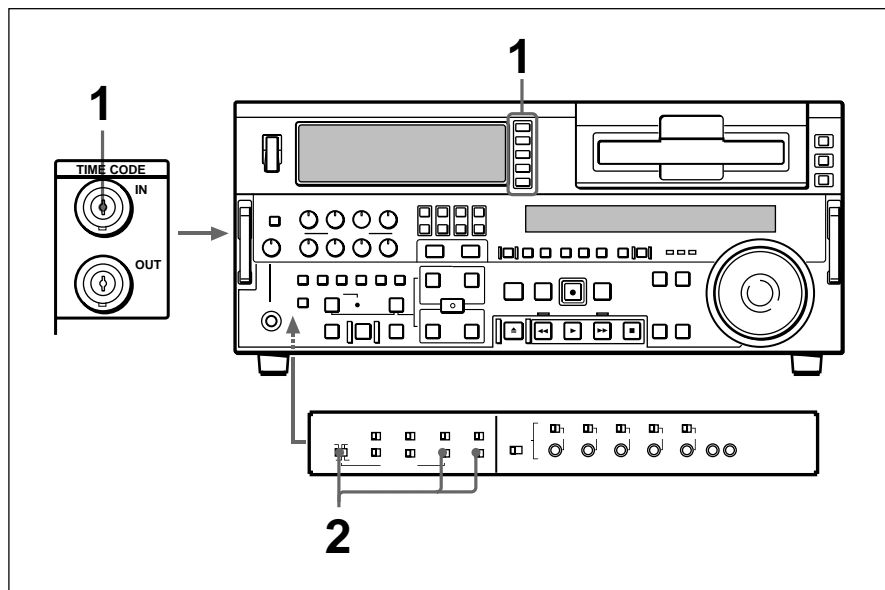
You can synchronize the internal time code generator to an external time code signal (TC) input to this unit. Use this method to synchronize the time code generators of a number of VCRs, or to carry out recording maintaining the synchronization between the source video and time code. In this case, the settings of the FREE RUN/REC RUN switch and DF/NDF switch on the subsidiary control panel are ignored.

You can synchronize the internal time code generator to one of the following external time codes.

- The time code (TC) output of an external time code generator or external VCR connected to the TIME CODE IN connector
- The time code (VITC) present in a video signal input to the unit
- The time code (TC) input to the SDTI(QSDI) INPUT connector or i.LINK connector (when fitted with the optional DSBK-190) of the unit

To synchronize to an external time code signal

Proceed as follows.



- 1**
 - When synchronizing to an external time code
Connect the time code output of the external time code generator or external VCR to the TIME CODE IN connector.
 - When synchronizing to the time code (VITC) in an input video signal
In the input selection section, select an input video signal containing VITC, then select TC or VITC with extended menu item 613.
Select TC or VITC with extended menu item 613.

2 Set switches on the subsidiary control panel as follows.
TC SELECT switch: TC or VITC according as you are synchronizing to TC or VITC

INT/EXT-PRESET/REGEN switch: EXT-REGEN (left position)

VITC switch: ON (when recording VITC)

This starts the internal time code generator running in synchronization with the external time code generator.

Once the internal time code generator is synchronized with the external time code generator, even if the external time code generator connection is removed, the internal time code generator continues to run.

Note

When the input mode is V:SDTI, SDTI or i.LINK (the V:SDTI, SDTI or i.LINK indicator is lit in the input selection/audio mode display section), then setting the INT/EXT-PRESET/REGEN switch to EXT-REGEN automatically synchronizes the internal time code generator to the time code transferred through the SDTI(QSDI) INPUT connector or i.LINK connector (when fitted with the optional DSBK-190).

Note that when the INT/EXT-PRESET/REGEN switch is set to EXT-REGEN, the advance mode and frame count mode (DSR-2000 only) are automatically set as follows.

Advance mode: free running

Frame count mode (DSR-2000 only): the same as the external time code signal (drop frame or non-drop frame)

To check the synchronization to the external signal

Press the STOP button to stop this unit, then press the REC button. Watch the time counter display, and check that the values displayed coincide with the external time code values.

Recording and Playback

Recording

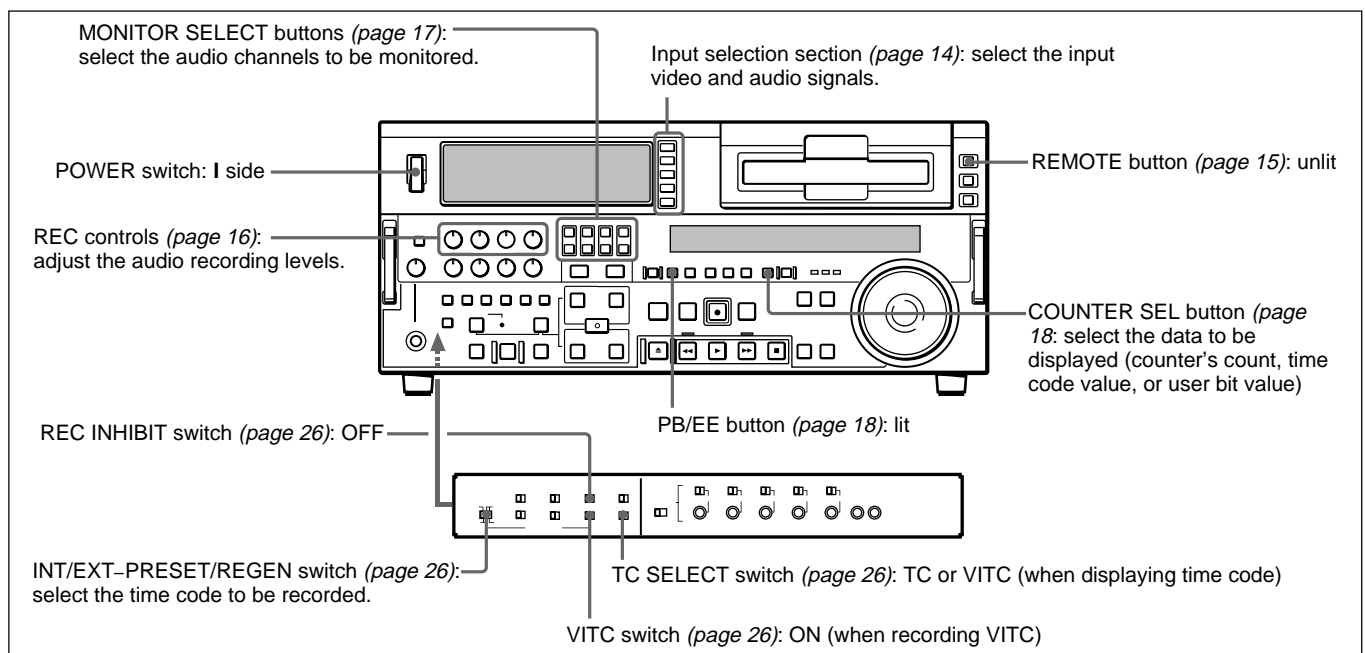
This section describes video and audio recording on the unit.

Preparations for Recording

Buttom/switch settings

Before beginning recording, make any necessary button/switch settings.

For details of the settings of each of the buttons/switches, see the pages indicated in parenthesis.



Recording

To change the number of audio channels to be recorded

Change the setting of extended menu item 818 between 2-channel (2CH) mode and 4-channel (4CH) mode (4CH).

Adjusting the audio recording levels

When carrying out audio recording at a reference level

Leave the REC controls pressed in. The audio signals will be recorded at a preset reference level.

Manually adjusting the recording levels

For each channel, pull out the REC control in the upper control panel, and adjust so that the audio level indication is 0 dB for an average volume. Carry out the adjustment in E-E mode.

For details of selecting the E-E mode, see the description of the REC button in the tape transport control section (page 22) and the PB/EE button in the monitor/menu/display setting section (page 17).

To change the display range of the audio level meters

Press the METER FULL/FINE button (*see page 16*).

Setting the reference level

The analog input reference level is determined by the settings of the AUDIO IN LEVEL/600 Ω switch (*see page 32*) and extended menu item 811. When, for example, the AUDIO IN LEVEL/600 Ω switch is set to +4 dBm (HIGH-ON) and extended menu item 811 to -20 dB, the reference level is set to -20 dB, causing +4 dBm analog input to be converted into a -20 dB digital signal.

Recording Time Code and User Bit Values

There are the following two ways of recording time code:

- Setting an initial value, then recording the output of the internal time code generator
- Recording the output of the internal time code generator synchronized to an external time code generator

To set an initial value then record the time code

Use the procedure described in the section “Setting an Initial Time Code Value” (page 39), then carry out the recording operation (see page 48).

Setting the time code value to the current time

See page 40.

Setting a user bit value

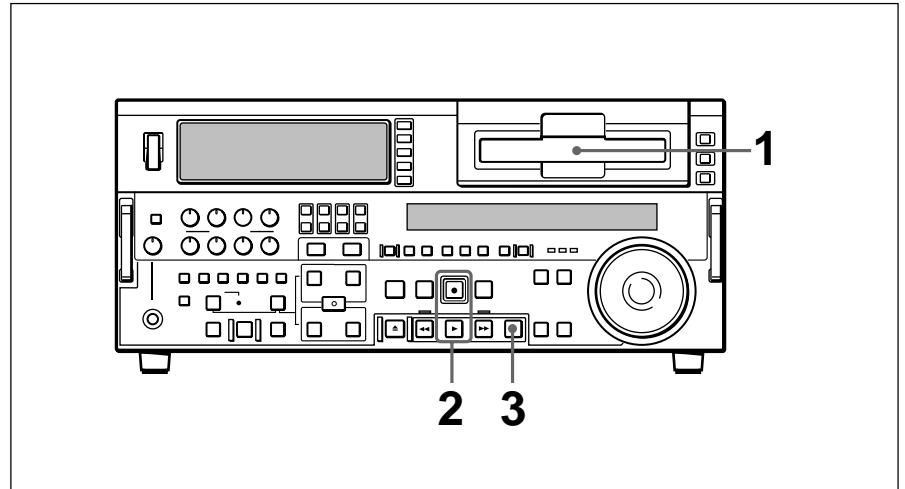
See page 41.

To synchronize the internal time code generator to an external signal

See page 42.

Recording Operation

To record, use the following procedure.



- 1** Insert a cassette.

For details, see the section “Inserting a cassette” (page 34).

- 2** Hold down the REC button, and press the PLAY button.

Recording starts, the servo locks, and the SERVO indicator in the display section lights.

- 3** To stop recording, press the STOP button.

If you record to the end of the tape

The tape is automatically rewound, and stops.

You can change the setting of extended menu item 125 so that the tape just stops without being automatically rewound when it is recorded to the end.

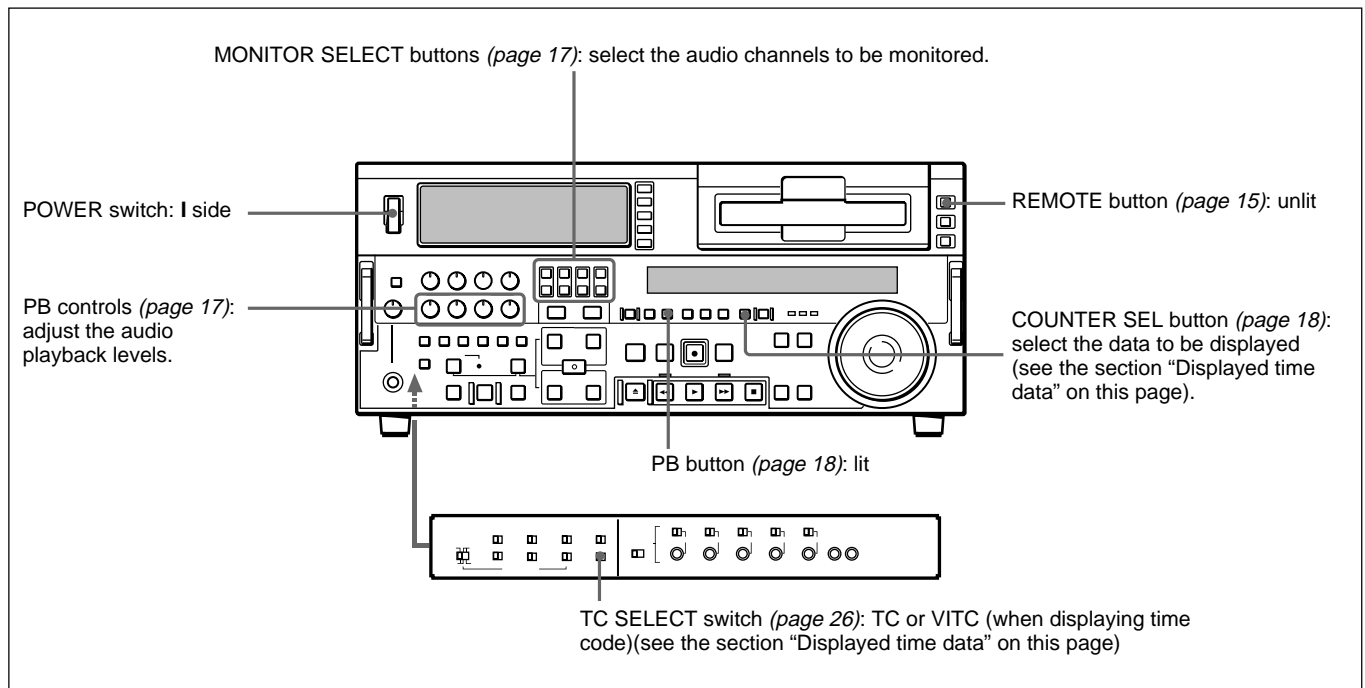
This section describes playback of video and audio.

Preparations for Playback

Button/switch settings

Before beginning playback, make any necessary button/switch settings.

For details of the settings of each of the buttons/switches, see the pages indicated in parenthesis.



Time data selection

Displayed time data

Use the COUNTER SEL button to select one of counter's count (COUNTER), time code (TC), and user bit values (U-BIT). When you select time code, the data displayed is determined by the setting (TC/ VITC) of the TC SELECT switch on the subsidiary control panel as follows.

TC SELECT switch setting	Displayed data
TC	TC recorded on tape
VITC	VITC recorded on tape

Playback Operation

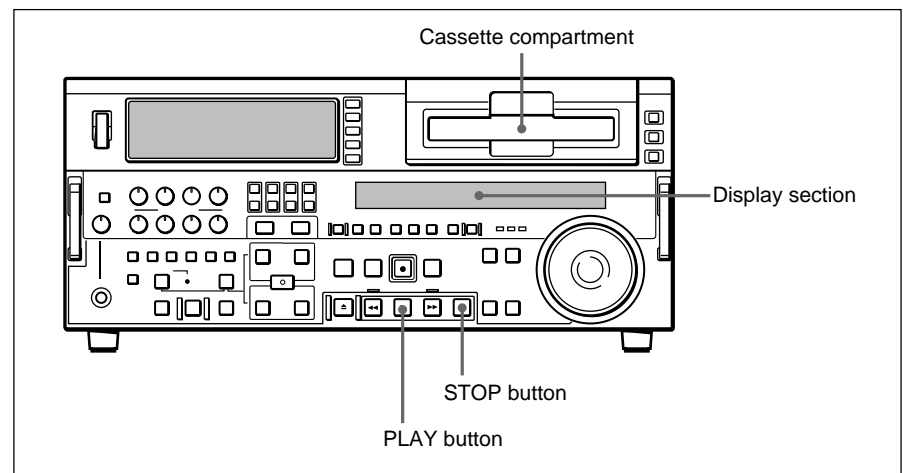
This section describes the following types of playback:

- Normal playback
Playback at normal ($\times 1$) speed
- Playback in jog mode
Variable speed playback, with the speed determined by the speed of turning the search dial
- Playback in shuttle mode
Variable speed playback, with the speed determined by the angular position of the search dial
- Playback in variable mode
Variable speed playback, with the speed finely determined by the angular position of the search dial
- Playback using the capstan override function
The playback speed is adjusted temporarily according to the angular position of the search dial, to align the playback phase with that of another VCR.

Normal playback

First insert a cassette.

For details of how to insert a cassette, see the section "Inserting and Ejecting Cassettes" (page 34).



To start playback

Press the PLAY button.

Playback starts, the servo locks, and the SERVO indicator in the display section lights.

To stop playback

Press the STOP button.

If you play back to the end of the tape

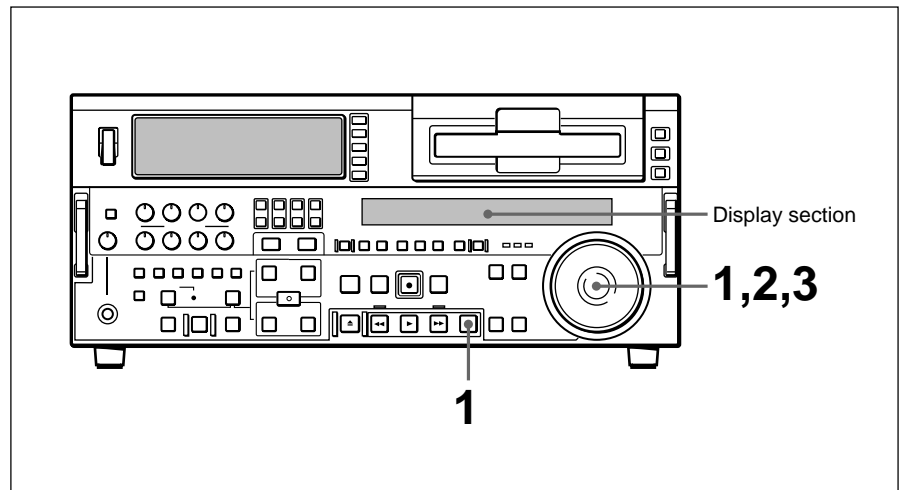
The tape is automatically rewound, and stops.

You can change the setting of extended menu item 125 so that the tape just stops without being automatically rewound when it is recorded to the end.

Playback in jog mode

In jog mode, you can control the speed of playback by the speed of turning the search dial. The playback speed range is ± 1 times normal speed (can be changed using extended menu item 116).

To carry out playback in jog mode, use the following procedure.



- 1** Press the SEARCH button or search dial so that the JOG indicator in the display section is lit.

Pressing the search dial toggles between jog mode and shuttle mode.

- 2** Turn the search dial in the desired direction, at the speed corresponding to the desired playback speed.

Playback in jog mode starts.

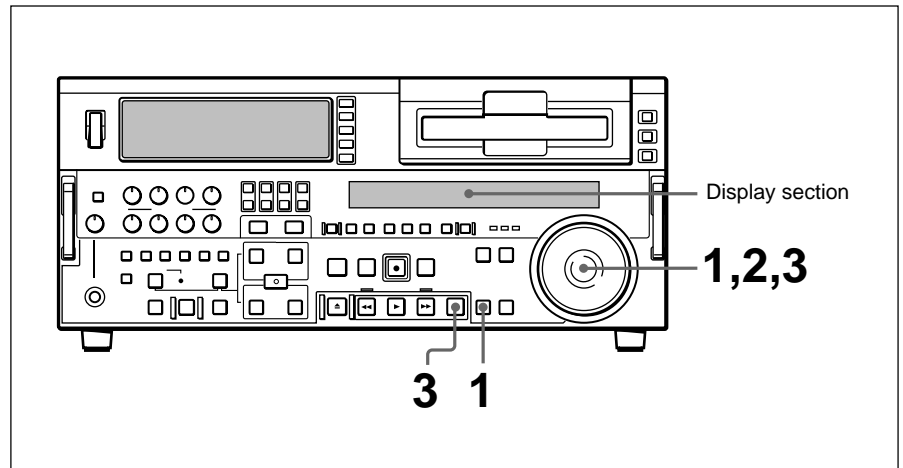
- 3** To stop playback in jog mode, stop turning the search dial.

Playback in shuttle mode

In shuttle mode, you can control the speed of playback by the angular position of the search dial. The range of playback speed is ± 32 times normal speed (can be changed using menu item 102).

There are detents on the search dial at the still position and at ± 10 times normal speed.

To carry out playback in shuttle mode, use the following procedure.



- 1** Press the SEARCH button or search dial so that the SHUTTLE indicator in the display section is lit.

Pressing the search dial toggles between jog mode and shuttle mode.

- 2** Turn the search dial to the desired angle corresponding to the desired playback speed.

Playback in shuttle mode starts.

- 3** To stop playback in shuttle mode, return the search dial to the center position, or press the STOP button.

To return to normal-speed playback

Press the PLAY button.

To alternate between normal-speed playback and shuttle mode playback

Set the search dial to the position corresponding to the desired shuttle playback speed, then switch between normal-speed playback and shuttle playback by pressing the PLAY and SEARCH buttons alternately. For intermittent shuttle mode playback, press the STOP and SEARCH buttons alternately.

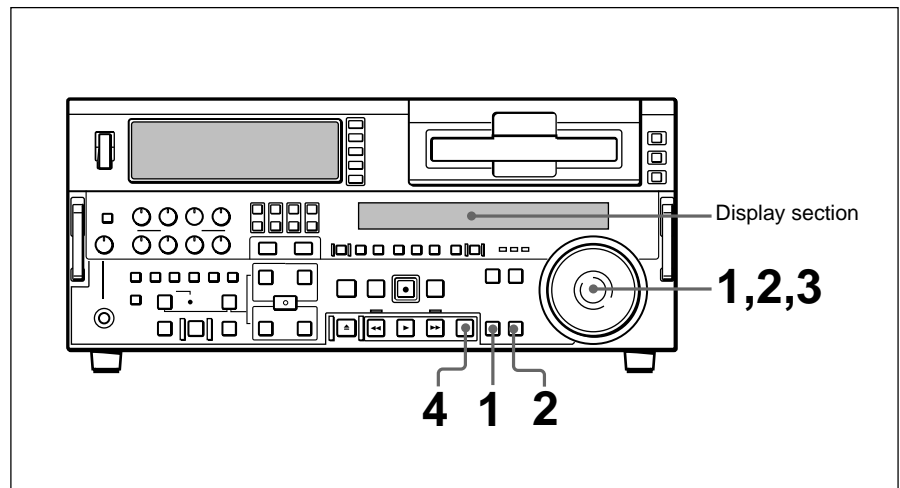
Playback in variable mode

In variable mode, you can finely control (61 steps) the speed of playback in the range of -1 to $+2$ times normal speed. Noiseless playback is possible in the range of ± 1 times normal speed.

(The variable mode playback speed range can be changed using extended menu item 119.)

There are detents on the search dial at the still position and at ± 1 times normal speed.

To carry out playback in variable mode, use the following procedure.



- 1** Press the VARIABLE button or search dial so that the SHUTTLE indicator in the display section is lit.
- 2** If the SEARCH button is lit, press the VARIABLE button, turning it on.
- 3** Turn the search dial to the desired angle corresponding to the desired playback speed.

Playback in variable mode starts.

- 4** To stop playback in variable mode, return the search dial to the center position, or press the STOP button.

To return to normal-speed playback

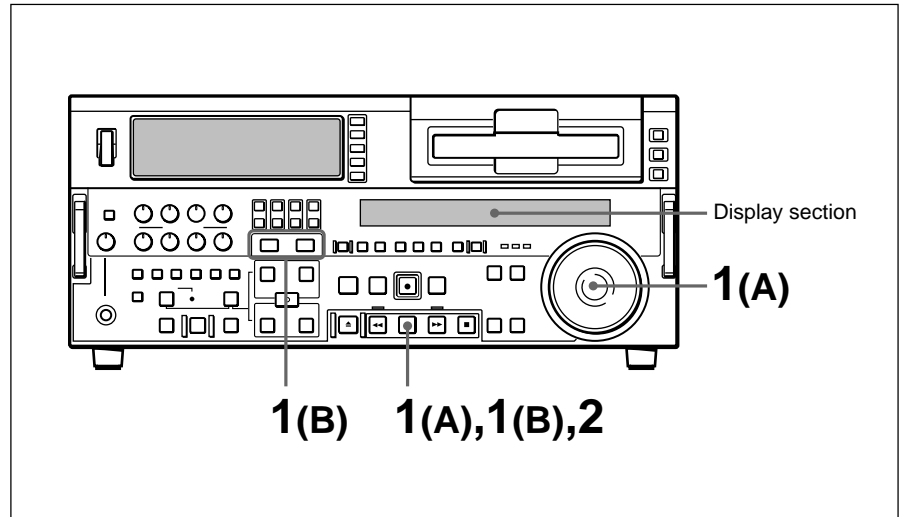
Press the PLAY button.

To alternate between normal-speed playback and variable mode playback

Set the search dial to the position corresponding to the desired variable playback speed, then switch between normal-speed playback and variable playback by pressing the PLAY and VARIABLE buttons alternately. For intermittent variable mode playback, press the STOP and VARIABLE buttons alternately.

Playback using the capstan override function

You can use the capstan override function to adjust the playback speed temporarily. This function is convenient for playback phase synchronization with another VCR playing back the same program.



- 1** (A) Hold down the PLAY button, and turn the search dial in the desired direction to adjust the playback speed.
The range of speed adjustment is $\pm 15\%$ in steps of 1%.

(B) Hold down the PLAY button, and press the TRIM buttons to adjust the playback speed.
The playback speed can be adjusted to $\pm 8\%$ only.

The SERVO indicator in the display section goes off.

- 2** When the adjustment is completed, release the PLAY button.

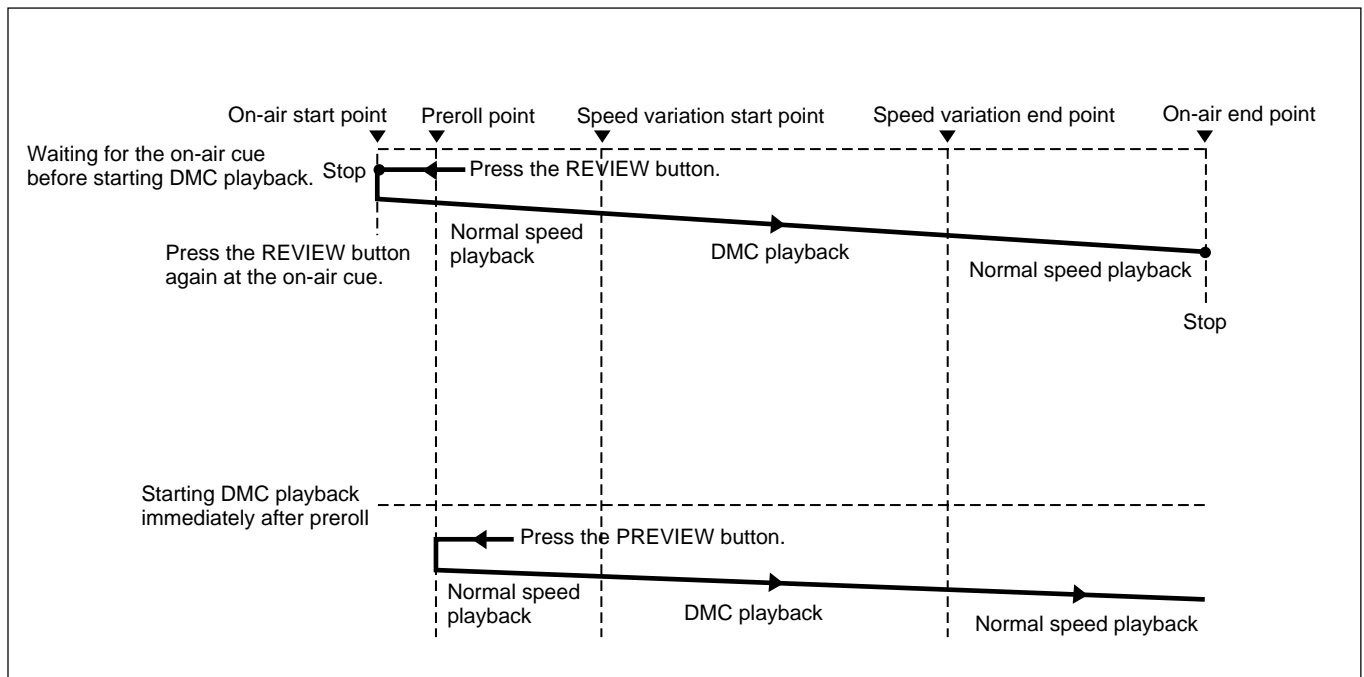
The tape transport returns to normal speed, and the SERVO indicator in the display section lights on again.

Dynamic Motion Control (DMC) Playback

Overview

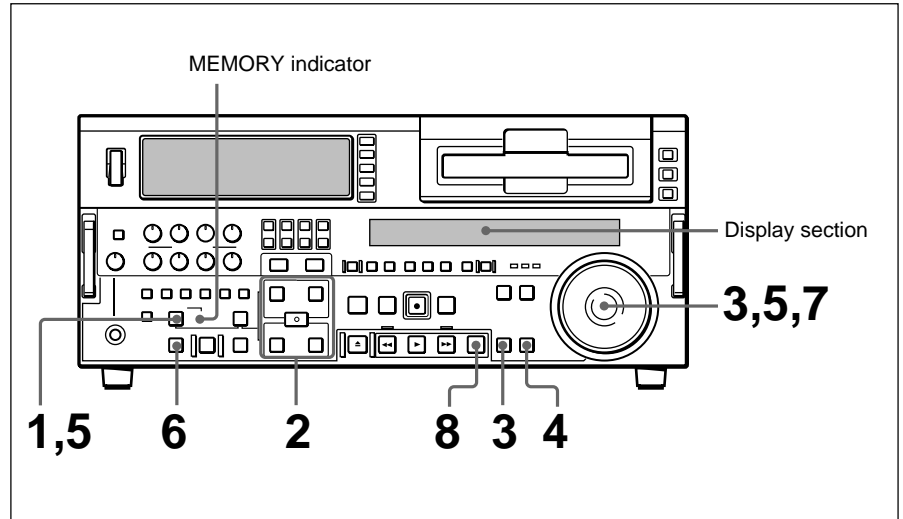
DMC playback allows you to vary the playback speed for a certain section of a tape, in variable mode (from -1 to $+1$ times normal speed), and store the varying speed in memory for later playback at the same varying speed. For example, during a live broadcast of a sporting event you can set the start and end points of highlights while recording, and then provide immediate DMC playback of those highlights.

During DMC playback the tape moves as shown in the following figure.



Storing a varying playback speed in memory

To store the playback speed for DMC playback, use the following procedure.



- 1** Press the DMC EDIT button, turning it on.
- 2** Either while playing back the recorded tape, or during recording, press the ENTRY button and each of the following buttons simultaneously, to set the start and end points.
 - **On-air start point:** AUDIO IN button
 - **Speed variation start point:** IN button
 - **Speed variation end point:** OUT button
 - **On-air end point:** AUDIO OUT buttonEach press turns the corresponding button on.

- 3** Press the SEARCH button or search dial so that the SHUTTLE indicator in the display section is lit.

- 4** If you want to use the variable mode to set the varying playback speed, press the VARIABLE button, turning it on.

- 5** Holding down the DMC EDIT button, turn the search dial, to set the initial speed at the speed variation start point.

The speed you set appears in the display section. During this period the tape does not move.

- 6** Press the PREVIEW button.

The tape is prerolled and played back at normal speed from the on-air start point to the speed variation start point. On passing the speed variation start point, the MEMORY indicator begins to flash, and playback begins at the speed set in step **5**.

7 Turn the search dial to vary the playback speed.

While the MEMORY indicator is flashing, the speed variations are stored in memory. On passing the speed variation end point, the MEMORY indicator changes from flashing to continuously lit, and the variable speed storing ends.

8 Press the STOP button to stop the tape.

If the MEMORY indicator lights continuously before the speed variation end point

This indicates that the memory became full at that point. It is therefore not possible to record more speed variation. The maximum capacity is a duration of 120 seconds.

To amend the stored speed variation

Press the PREVIEW button.

The interval between the speed variation start and end points is automatically played back at the stored speed. Operate the search dial as required, to adjust the playback speed.

Setting the initial speed to normal speed

In step 5, press the PLAY button.

Executing DMC Playback

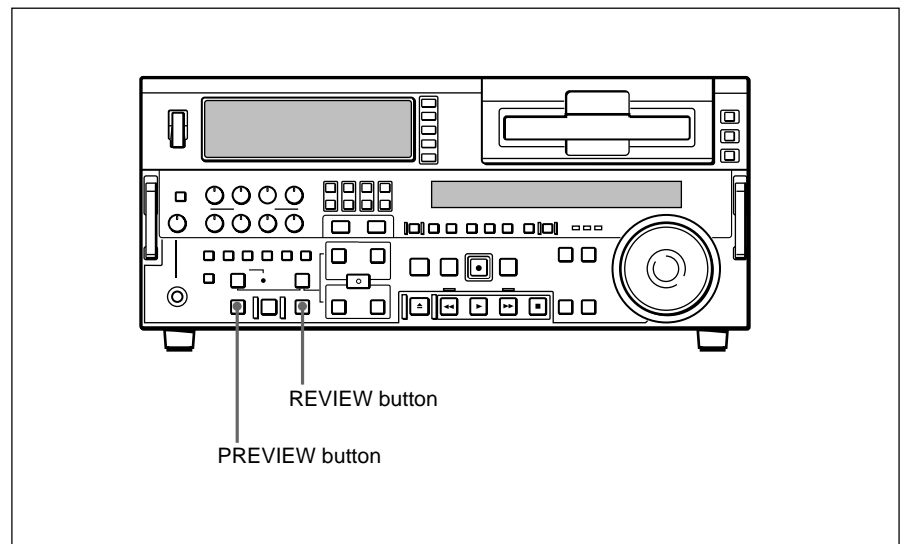
There are two methods of starting DMC playback.

- Starting playback at the on-air cue from the on-air start point
- Starting playback immediately after preroll

Notes

- To avoid operating mistakes we recommend that you use the VCR in standalone mode when carrying out DMC playback.
- When using two VCRs connected for editing, you can only use the recorder VCR for DMC playback, and only when both the RECORDER and PLAYER buttons are off.

You can start DMC playback using either the REVIEW button or PREVIEW button depending on which of the above two methods you use.



To start playback at the on-air cue from the on-air start point

Use the following procedure.

- 1 Press the REVIEW button.

The REVIEW button lights, and the tape is cued up to the on-air start point. After the tape is cued up, the REVIEW button flashes.

- 2 At the moment the on-air cue is given, press the REVIEW button once more.

The REVIEW button lights, and playback starts at normal speed. Between the speed variation start and end points, DMC playback is carried out at the stored speed, and then playback continues at normal speed and the tape stops at the on-air end point.

Starting playback immediately after preroll

Press the PREVIEW button.

The PREVIEW button lights, and after preroll, DMC playback is carried out for the section between the speed variation start and end points, then playback continues at normal speed from the speed variation end point.

Stopping the tape during DMC playback

Press the STOP button.

To exit DMC playback mode

Press the DMC EDIT button and the DELETE button simultaneously.

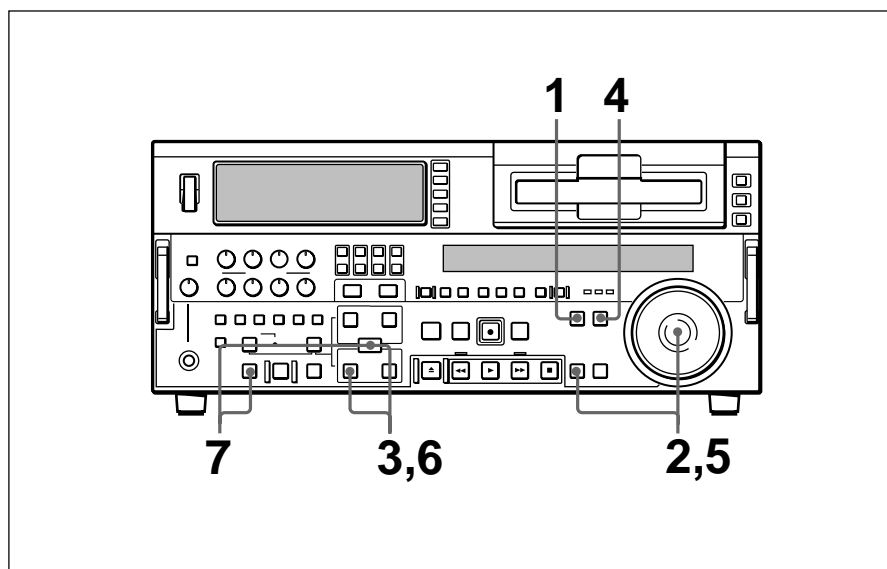
Synchronous Playback

Connecting two DSR-2000/2000P units and synchronizing their tape transport, you can carry out two-unit synchronous playback with an accuracy of ± 0 frame.

For equipment/signal connections and basic settings, see the section "Connections for Two-Unit Synchronous Playback" (page 132).

Use the following procedure.

(In the following, the controlling unit is referred to as the recorder (this unit) and the controlled unit as the player.)



- 1** Press the **PLAYER** button, turning it on.
- 2** Cue up to the player tape position where to start playback.
- 3** Hold down the **ENTRY/SHIFT** button, and press the **IN** button.

The player IN point is set.

- 4** Press the **RECORDER** button, turning it on.
- 5** Cue up to the recorder tape position where to start synchronous playback.
- 6** Hold down the **ENTRY/SHIFT** button, and press the **IN** button.

The recorder IN point is set.

(Continued)

- 7** Hold down the ENTRY/SHIFT button, and press the PREVIEW button.

Both the recorder and player start preroll followed by synchronous playback by the two units.

When setup menu item 004 is set to ON and 305 set to ACCUR on the recorder side, the recorder and player tape transports are synchronized during the preroll allowing two-unit synchronous playback with ± 0 frame accuracy to start at the player and recorder IN points.

To end synchronous playback while it is in progress

Press the STOP button.

Digitally Dubbing Signals in DVCAM Format (Optional DSBK-190 Required When Using i.LINK Interface)

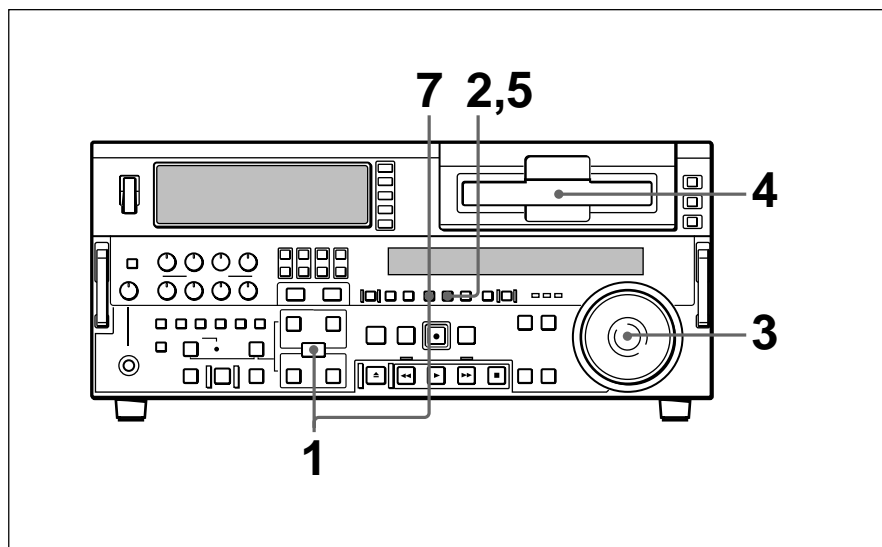
In addition to straightforward tape dubbing, you can also use this unit to digitally dub signals in DVCAM format automatically from the beginning of the tape to the end, through an i.LINK or SDTI(QSDI) interface. When a tape recorded on a DSR-1/1P Digital Videocassette Recorder or DSR-300/300P Digital Camcorder is dubbed, the ClipLink log data held in the cassette memory is also copied.

For information about connections and basic settings, see the section “Connections for Digitally Dubbing Signals in DVCAM Format” (page 133).

Notes

- Use a tape which is recorded in the DVCAM format. A tape recorded in DV format cannot be used as a source tape for dubbing through an SDTI(QSDI) or i.LINK interface.
- Regardless of the audio channel settings made in the input selection section of this unit, dubbing is performed with the original audio recording mode unchanged (two-channel mode (48 kHz) or four-channel mode (32 kHz)).
- Approximately the last 2 minutes of the tape may not be copied because of differences in tape lengths. (If an Index Picture is recorded in this portion, it may also not be copied.)
- A continuous recorded section of approximately 5 seconds is required before the recording start point. It is recommended to record beforehand color bars or a similar signal at the start point of the recording tape to be used on this unit.

Perform the following procedure.

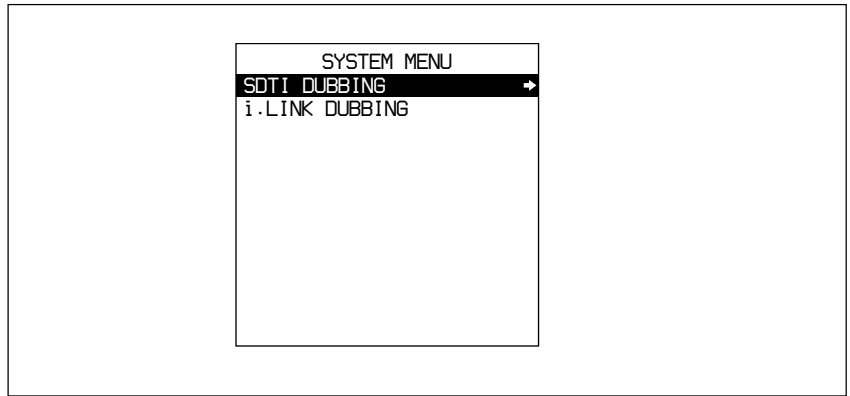


- 1** On the recorder, hold down the ENTRY/SHIFT button and press the MENU button.

The SYSTEM MENU screen appears on the monitor connected to this unit.

(Continued)

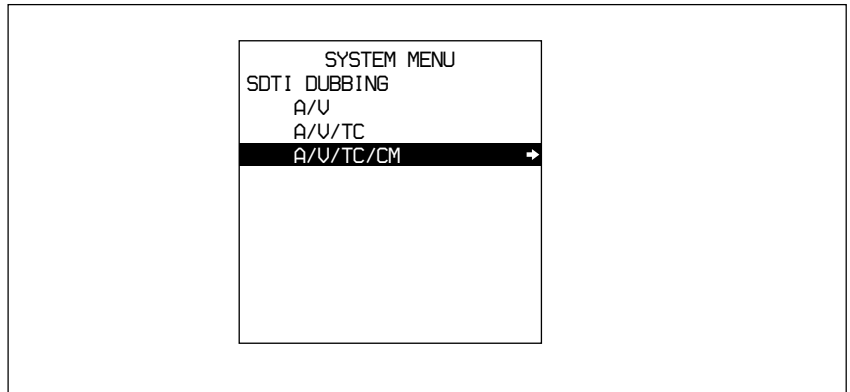
Digitally Dubbing Signals in DVCAM Format (Optional DSBK-190 Required When Using i.LINK Interface)



- 2** Using the search dial in jog mode, select either SDTI DUBBING or i.LINK DUBBING, then press the SET button.

The screen changes as follows, allowing you to select a desired group of items for dubbing.

(In explaining the subsequent operating procedure, illustrations of screens shown when performing SDTI dubbing are used. You can follow the same operating procedure also when performing i.LINK dubbing.)

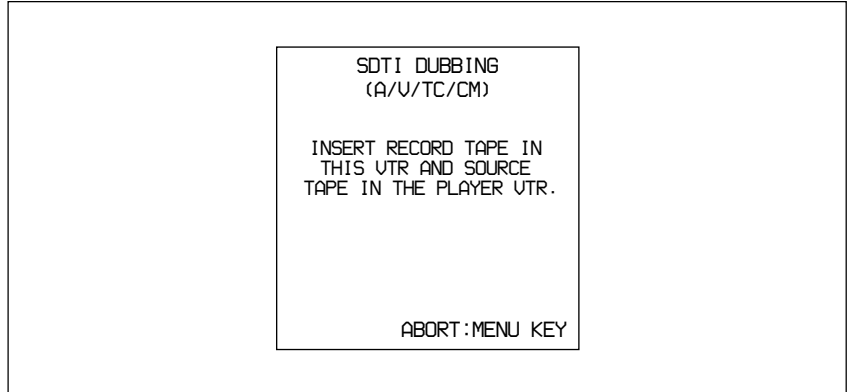


- **A/V:** Audio and video
- **A/V/TC:** Audio, video and timecode
- **A/V/TC/CM:** Audio, video, timecode, and cassette memory (ClipLink log data)

- Using the search dial, select a desired group of items for dubbing, then press the SET button.

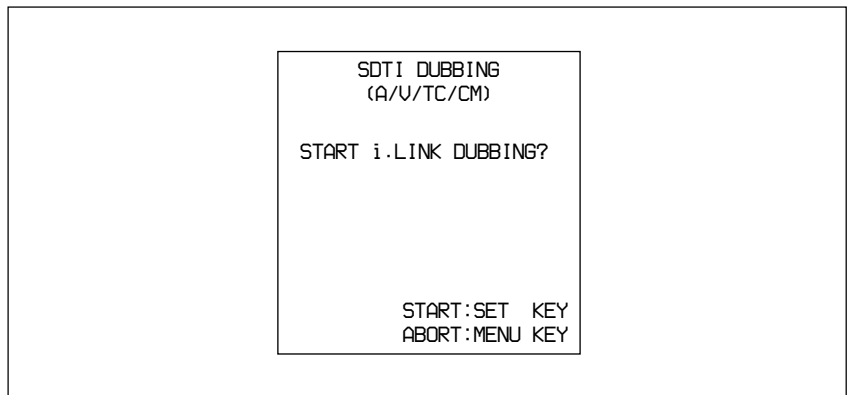
The menu screen changes as follows.

(Example: The screen displayed when A/V/TC/CM is selected.)



- Insert the source tape in the player and the recording tape in this unit.

A message to make sure dubbing may be started appears.



If the cassette memory capacity is not sufficient

A message urging you to replace the recording tape by a tape with a larger cassette memory capacity appears.

For more information about this, see the section "If the cassette memory of the recording tape is not large enough" (page 65).

To cancel the dubbing operation

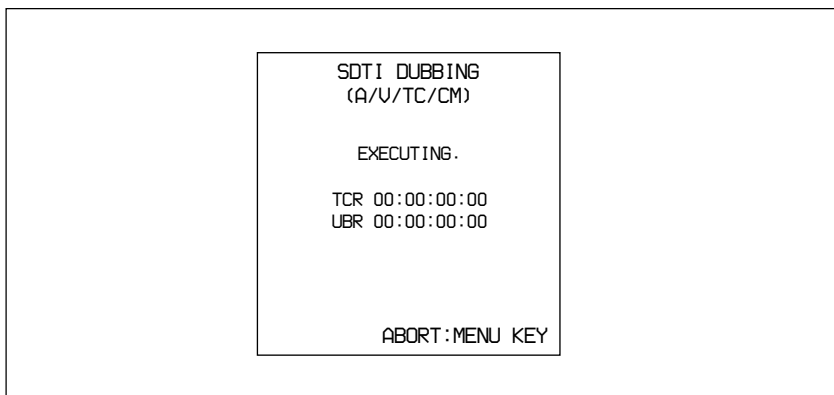
Press the MENU button.

(Continued)

Digitally Dubbing Signals in DVCAM Format (Optional DSBK-190 Required When Using i.LINK Interface)

5 Press the SET button.

The recording tape and source tape are both automatically wound back to the beginning, and dubbing starts. At the same time, the screen changes as follows.



To end the dubbing operation while it is in progress

Press the STOP button.

The dubbing operation stops and a message asking whether to copy the contents of the cassette memory appears.

For more information about this, see the section “If you end dubbing while it is in progress” (page 65).

When dubbing is completed

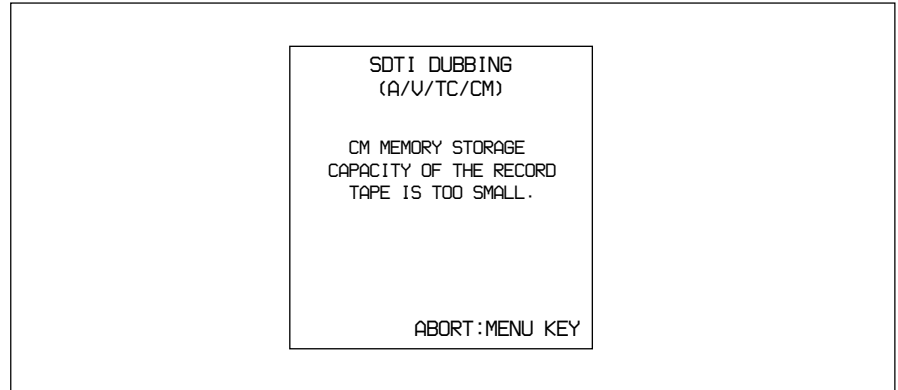
- ① A message “COMPLETED” appears on the monitor.
- ② The source tape and recording tape are both automatically rewound to the beginning, and the cassettes ejected.
- ③ The unit returns to the state in step 3.

6 To continue by dubbing another tape, repeat steps 4 and 5.

7 To end the dubbing operation and exit from the menu, press the MENU button.

If the cassette memory of the recording tape is not large enough

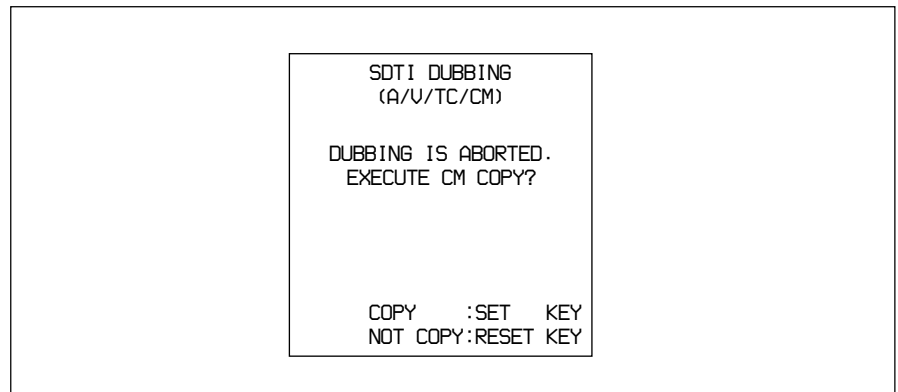
When you insert the recording tape and source tape in this unit and the player, respectively, whereas A/V/TC/CM has been selected as the items for dubbing, their cassette memory contents are checked automatically. If, as a result, the cassette memory capacity of the recording tape is found inadequate, the following message appears.



If this message appears, replace the recording tape by a tape with a larger cassette memory capacity.

If you end dubbing while it is in progress

If you end dubbing while it is in progress with A/V/TC/CM selected as the items for dubbing, the following message appears.



To copy the contents of the cassette memory, press the SET button. If you do not wish to copy the contents of the cassette memory, press the RESET button. If you press the RESET button, however, the contents of the cassette memory may not agree with the material recorded on the tape.

Editing

Automatic Editing

This section describes how to carry out automatic editing with this unit and another VCR connected to the REMOTE-IN or REMOTE-OUT connector.

Overview of Automatic Editing

With this unit, you can use the following two edit modes.

- Assemble edit mode
- Insert edit mode

(In this Operating Instructions, these two modes are also referred to simply as assemble mode and insert mode, respectively.)

Assemble edit mode

In assemble editing, you record video and audio materials in order from the start of the tape. In addition to video and audio, time code is also recorded. This edit mode is convenient when you are recording on a new tape.

Note

Before you begin assemble editing for the first time with a new tape, a video signal, e.g. a black signal, and time code must be recorded on the tape in advance of the recorder IN point for a length equal to or greater than the preroll time.

Insert edit mode

In insert editing, you insert video, audio, and time code at desired positions on an already recorded tape. You can insert all three types of data at the same time or insert one of the types separately.

Note

Before you use an unrecorded tape in insert editing, a video signal, e.g. a black signal, and time code must be recorded on all over the tape.

You can carry out DMC editing in both edit modes. In insert editing, split editing is also possible.

To record a video signal and time code on an unrecorded tape

When recording a video signal and time code on an unrecorded tape to use it as a recording tape in insert editing, you can use a test signal generated by the internal signal generator of the unit. An example procedure follows.

- 1** Insert an unrecorded cassette in the unit and rewind it.
- 2** Using the VIDEO IN button in the input selection section (*see page 14*), select the video test signal (SG) as the input video signal.
- 3** Set switches on the subsidiary control panel (*see page 25*) as follow.
INT/EXT-PRESET/REGEN switch: INT-PRESET (right position)
FREE RUN/REC RUN switch: REC RUN
DF/NDF switch: Set as required.
- 4** Set an initial time code value (*see page 39*)
- 5** Carry out recording (*see page 48*).

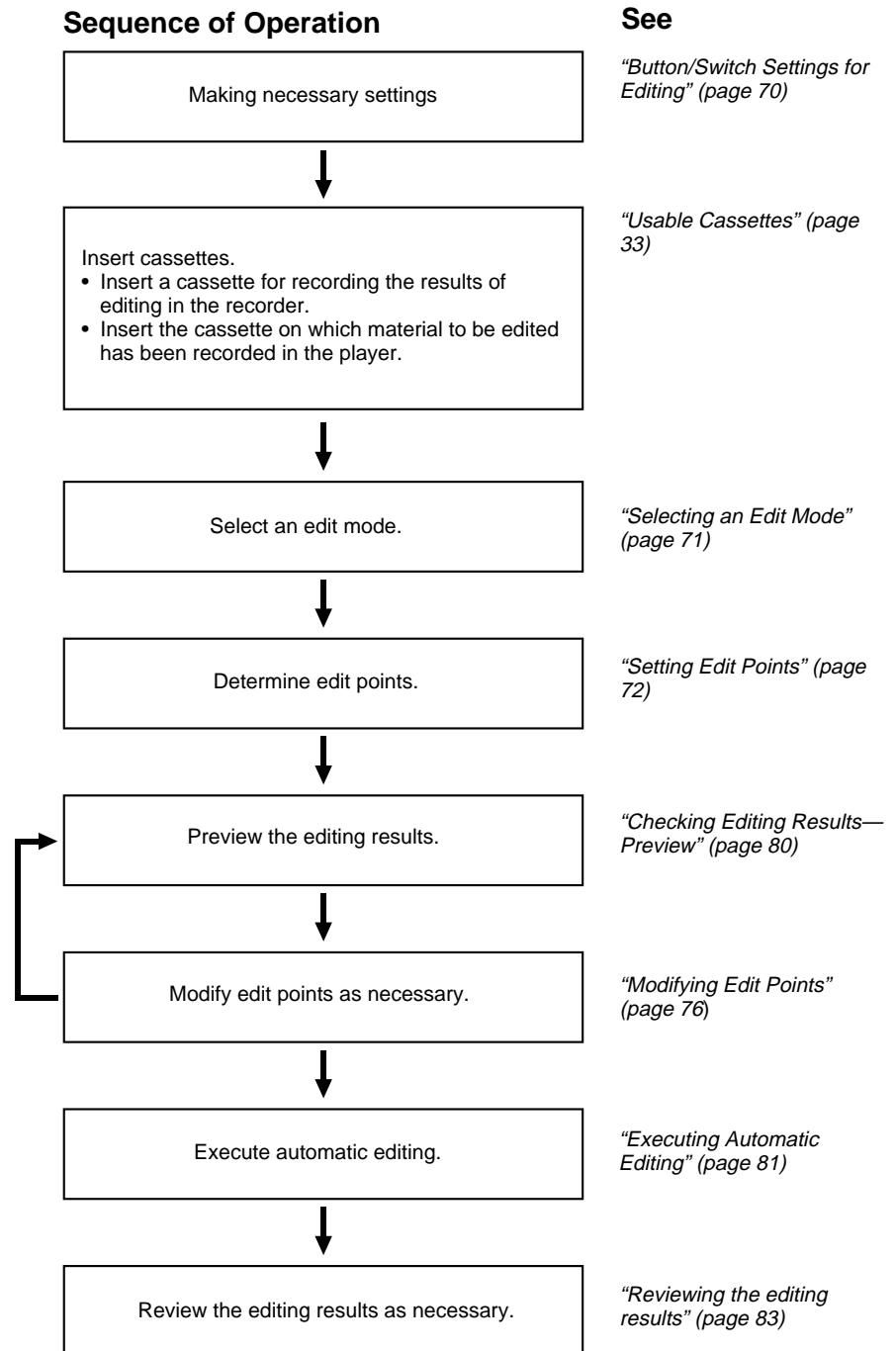
Recording time code

For automatic editing, regardless of the settings of the INT/EXT-PRESET/REGEN switch, time code is recorded continuously from the previous time code recorded on the tape.

Using extended menu item 610, it is also possible to record time code according to the settings on the control panels.

Sequence of editing operations

The following flowchart outlines the sequence of operations in automatic editing with two DSR-2000/2000P units.



Automatic Editing

Notes on video output to the monitor

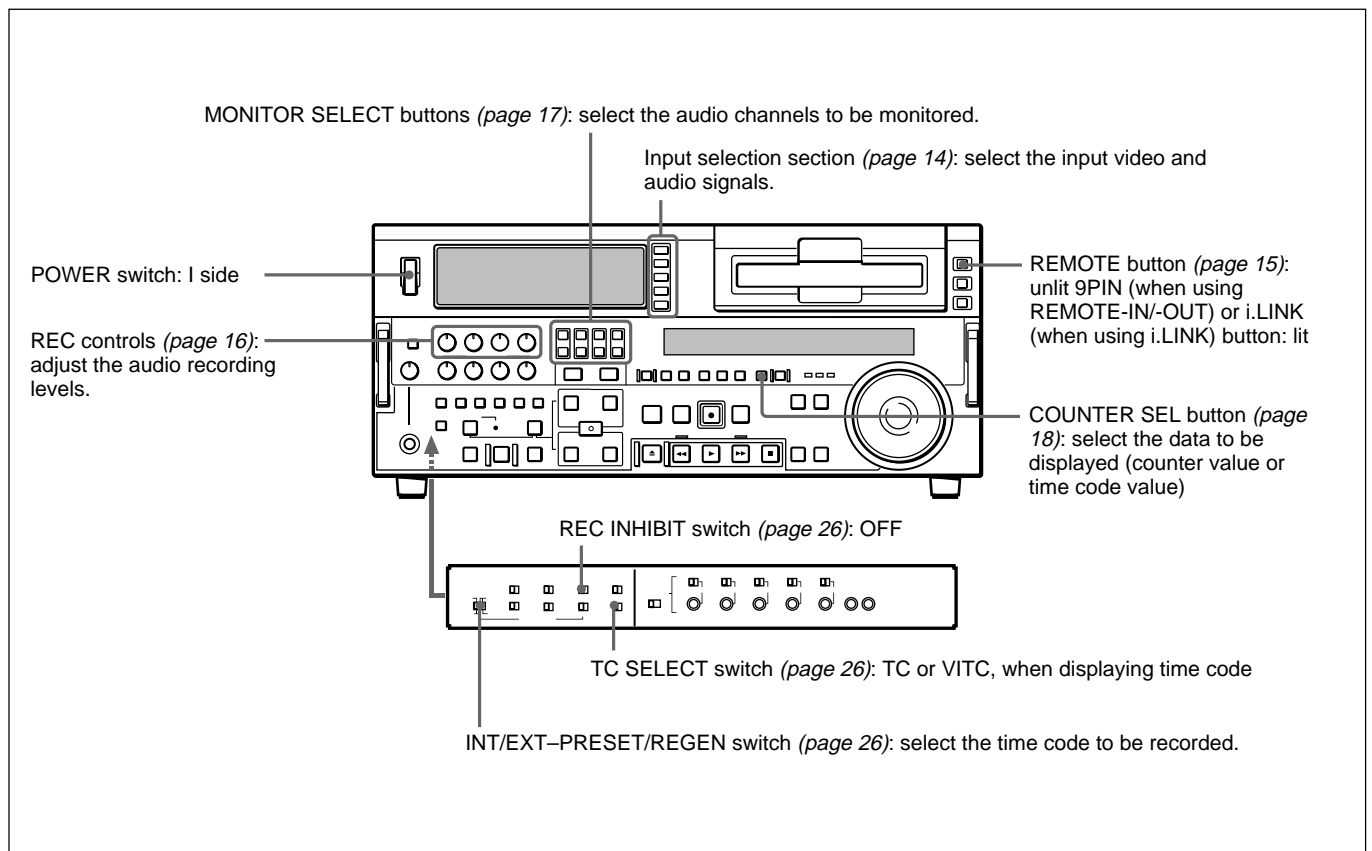
In E-E mode, the video output of the unit is delayed by the time for video circuit processing with respect to the input video signal (8H). Unlike the playback operations described in Chapter 3, for playback to be carried out in edit mode with both the player and recorder specified, you can use extended menu item 701 to delay the V-SYNC phase by 8H.

Button/Switch Settings for Editing

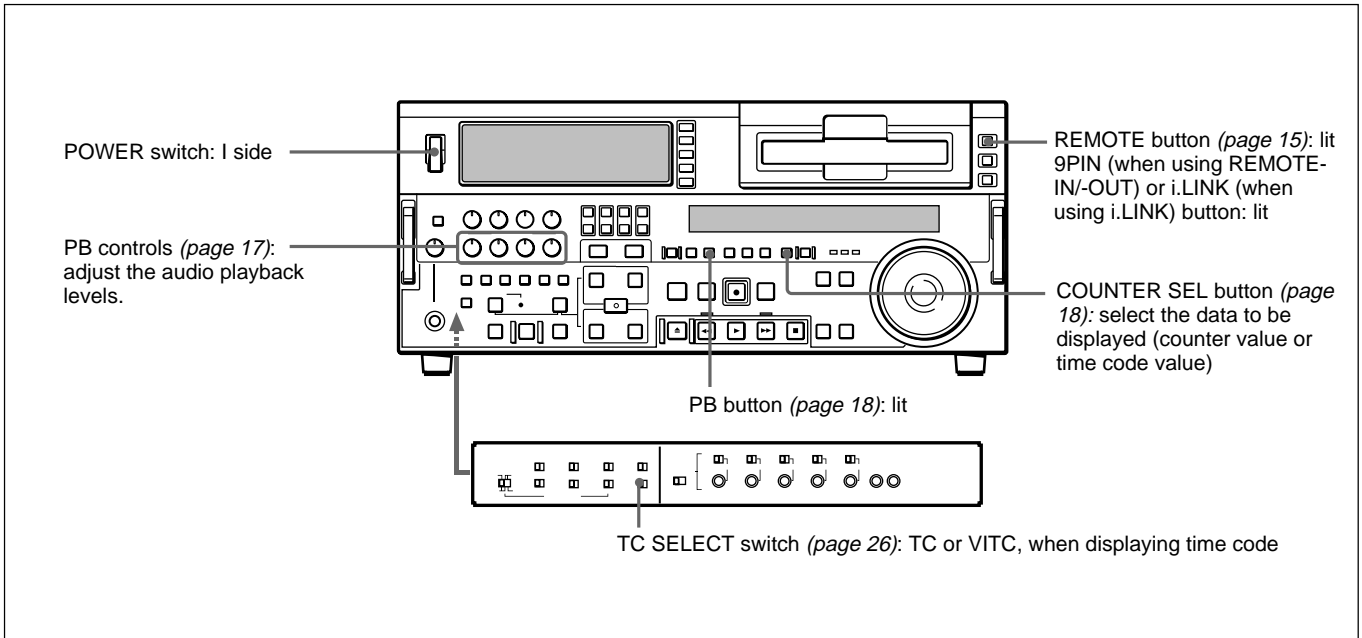
Before beginning editing, set buttons and switches on the recorder and player as follows.

For details of the settings of each of the buttons/switches, see the pages indicated in parenthesis.

Recorder settings



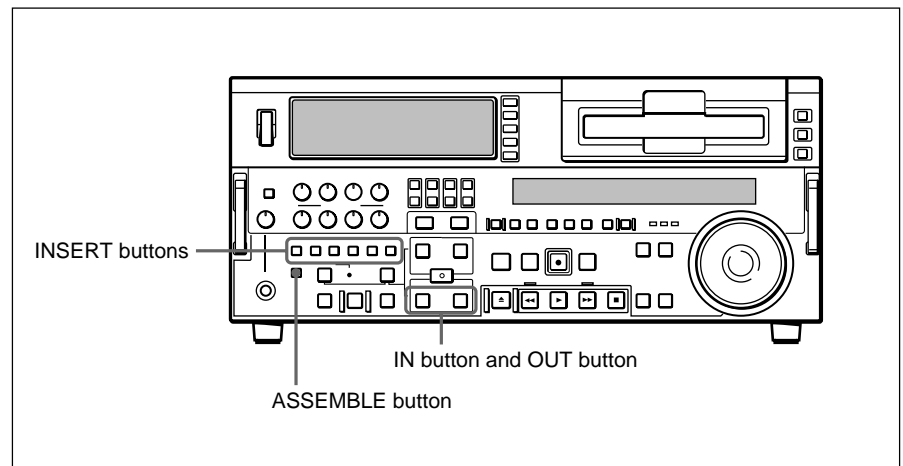
Player settings



(In the subsequent description, except where the player is explicitly mentioned, operations are all on the recorder.)

Selecting an Edit mode

Select either assemble mode or insert mode.



Depending on the desired edit mode, press the following button or buttons.

- For assemble editing: ASSEMBLE button
- For insert editing: the desired INSERT buttons (VIDEO, CH-1 to CH-4, TIME CODE)

When you select an edit mode, the IN and OUT buttons begin to flash, indicating that the edit points require setting.

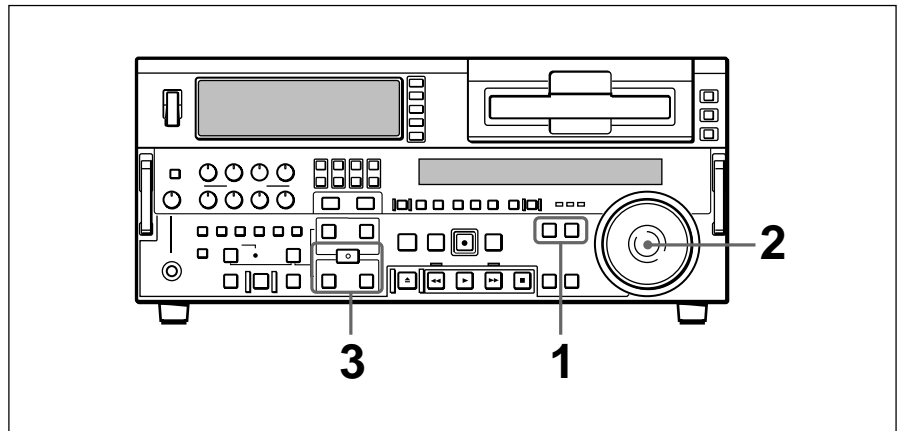
Setting Edit Points

Of the four edit points (recorder IN and OUT points, and player IN and OUT points) required, set any three. The last edit point is set automatically.

In insert mode, you can set the edit points for video and audio separately (split editing).

For details of setting split edit points, see the section "Setting split edit points" (page 73).

To set edit points



- 1** Press the RECORDER button or PLAYER button to select the VCR on which you will set edit points.

The button which you have pressed lights.

- 2** Turn the search dial in jog or shuttle mode, and position the tape at the required edit point.

For details of playback in jog or shuttle mode, see the sections "Playback in jog mode" (page 51) and "Playback in shuttle mode" (page 52).

- 3** At the point at which you wish to set the IN point or OUT point, hold down the ENTRY/SHIFT button and press the IN button or OUT button as the case may be.

When the IN point or OUT point is set, the IN button or OUT button correspondingly lights.

- 4** Repeat steps **1** to **3** until three of the four edit points (recorder IN and OUT points, and player IN and OUT points) are set.

When the IN points on both the recorder and player are set, the PREVIEW button and AUTO EDIT button flash, indicating that it is possible to carry out a preview or editing operation.

Notes

In the following cases, the DELETE button begins to flash and you cannot carry out automatic editing.

- The OUT point is before the IN point.
- All four of the recorder IN and OUT points and the player IN and OUT points have been set.

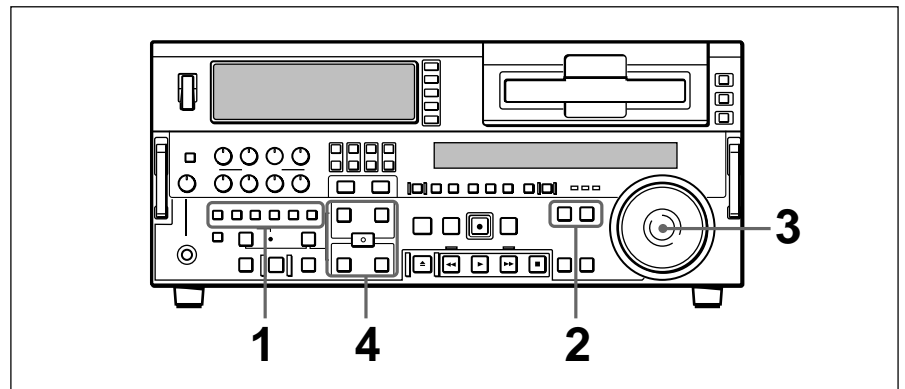
Use the DELETE button to delete a redundant edit point, or set the edit points correctly.

For details of deleting edit points, see the section "To delete an edit point" (page 77).

Setting split edit points

In split editing, you can set the edit points for audio and video independently. Set the audio edit points with the AUDIO IN/OUT buttons, and the video edit points with the IN/OUT buttons.

Note that split editing is only possible when the recorder is set for insert editing.



- 1** Press the appropriate INSERT button (VIDEO, CH-1 to CH-4, or TC).

The IN and OUT buttons flash.

- 2** Press the RECORDER or PLAYER button to select the VCR for which edit points are to be set.

The button you have pressed lights.

- 3** To find the edit point, rotate the search dial in jog or shuttle mode.

For details of jog/shuttle mode playback, see the sections "Playback in jog mode" (page 51) and "Playback in shuttle mode" (page 52).

- 4** Hold down the ENTRY/SHIFT button and press one of the IN, OUT, AUDIO IN, and AUDIO OUT buttons, to set the edit point.

(Continued)

5 Repeat steps **2** through **4** to set the required edit points.

As each edit point is set, the corresponding button changes from flashing to continuously lit.

Note

During split editing, if you set six or more edit points for the recorder and player, the DELETE button starts to flash, to indicate that editing cannot be executed. Delete all excess edit points, using the DELETE button.

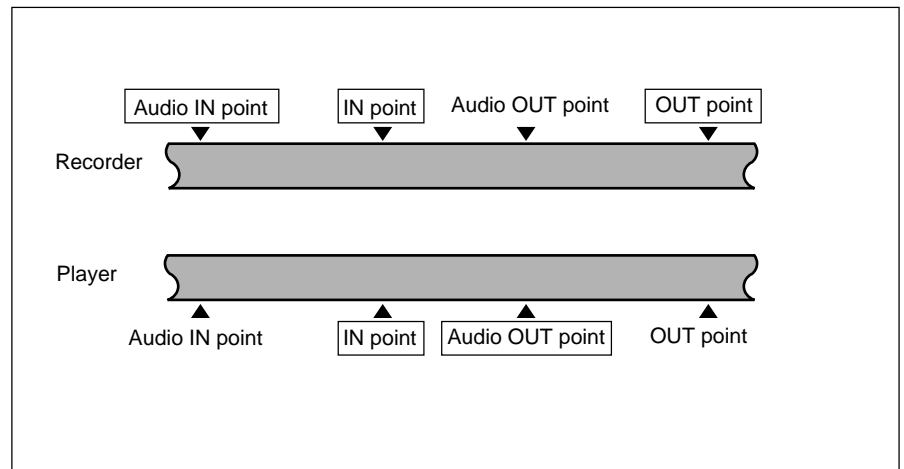
For details of deleting edit points, see the section “To delete an edit point” (page 77).

Automatic setting of edit points in split editing

Split editing requires a total of eight edit points: four video edit points (player IN and OUT and recorder IN and OUT) and four audio edit points (player audio IN and OUT and recorder audio IN and OUT). However, as soon as you set five points, the system automatically calculates and sets the remaining three points. Specifically, once you have set three of the four video edit points and two audio edit points, the remaining three edit points are set automatically, regardless of whether these points are for the recorder or player.

In the figure below, the edit points shown within boxes are already set. The other edit points (recorder audio OUT point, and player audio IN and video OUT points) are set automatically.

Note that, regardless of whether it was set manually or automatically, any edit point can be deleted or corrected later.



You can set audio cut in, crossfade, fade in, and fade out effects using extended menu item 317.

When the audio IN point is not set for insert editing of audio only

As long as the audio OUT point is set, the VCR is ready for preview or editing. If the audio IN point has not been set, the current tape position is automatically used as the audio IN point.

Using a VCR without a split editing function as the player

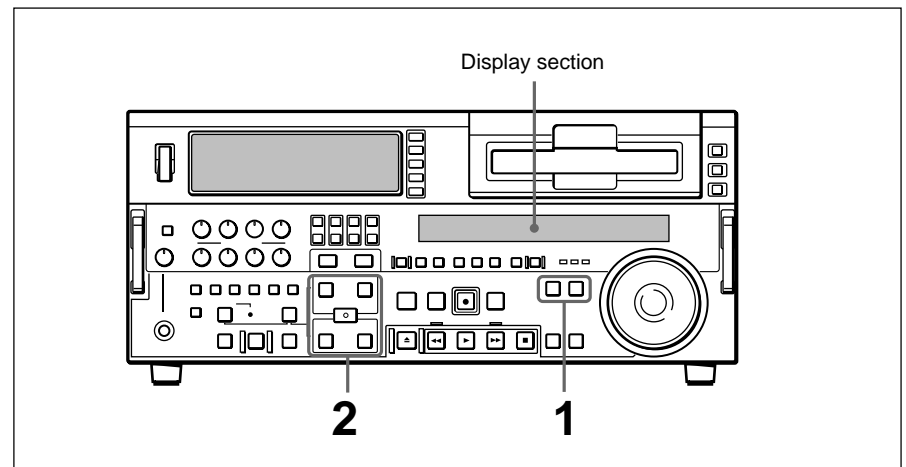
If it is not possible to set separate audio and video edit points on the VCR you are using as the player, by setting the audio IN and OUT points on the recorder (this unit), then setting three video edit points, split editing is possible.

Checking Edit Points

You can check the time value for an edit point and the duration between two edit points by displaying them in the display section.

To display the time value for an edit point

Use the following procedure.



- 1** Press the RECORDER button or PLAYER button to select the VCR on which you wish to check the edit point.

The button you have pressed lights.

- 2** Hold down the IN, OUT, AUDIO IN, or AUDIO OUT button according to the edit point you wish to check.

While you hold down the button, the time value of the edit point is shown in the display section.

To display the duration between two edit points

- 1** Press the RECORDER button or PLAYER button to select the VCR on which you wish to check the duration.

The button you have pressed lights.

- 2** Hold down any two of the four edit points (recorder or player IN, OUT, audio IN, and audio OUT points).

While you hold down the buttons, the duration between the two edit points is shown in the display section.

When only one of the two selected edit points is set

The duration between the edit point and the current tape position is displayed.

When neither of the two selected edit points is set

The duration between the most recently set corresponding edit points is displayed.

Modifying Edit Points

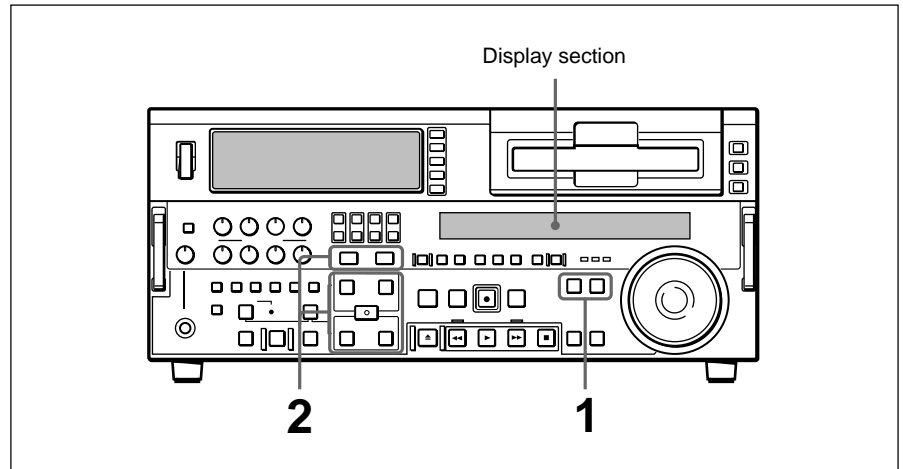
Once you set edit points, you can modify or delete them as required. When edit points have been set incorrectly, for example when an OUT point is located before an IN point or when the duration of editing segments on the player and recorder do not match, the DELETE buttons flash to alert you that a preview or edit cannot be carried out. In this case, either modify the erroneous edit point, or first delete it and then enter it correctly.

To turn a flashing DELETE button off

The DELETE button goes off when the erroneous edit point is correct.

To modify an edit point

Use the following procedure.



- 1** Press the RECORDER button or PLAYER button to select the VCR on which you wish to modify the edit point.

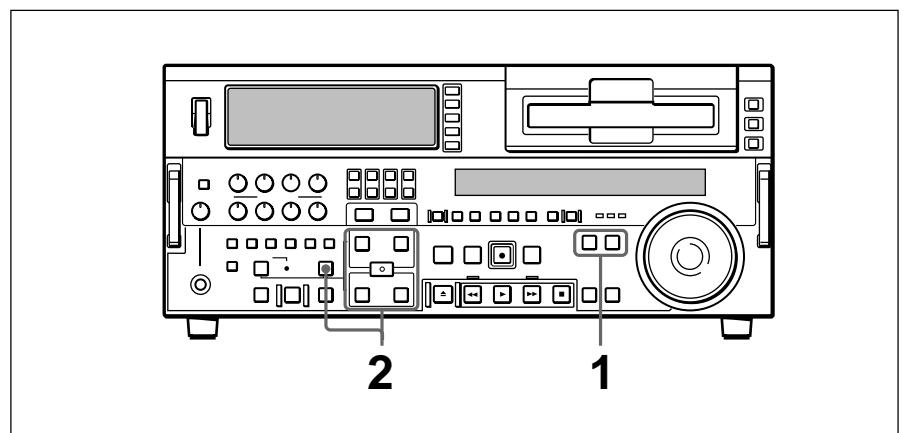
The button you have pressed lights.

- 2** Hold down the IN, OUT, AUDIO IN, or AUDIO OUT button corresponding to the edit point you wish to modify, and press the TRIM buttons (+ or -).

While you hold down the button, the time value for the edit point appears in the display section; pressing the +button increases the value by one frame, and pressing the -button decreases it by one frame.

To delete an edit point

To delete an edit point, use the following procedure. You can use the same procedure whether or not the DELETE button is flashing.



(Continued)

Automatic Editing

- 1 Press the RECORDER button or PLAYER button to select the VCR on which you wish to delete the edit point.

The button you have pressed lights.

- 2 Hold down the DELETE button and press the IN, OUT, AUDIO IN, or AUDIO OUT button according to the edit point you wish to delete.

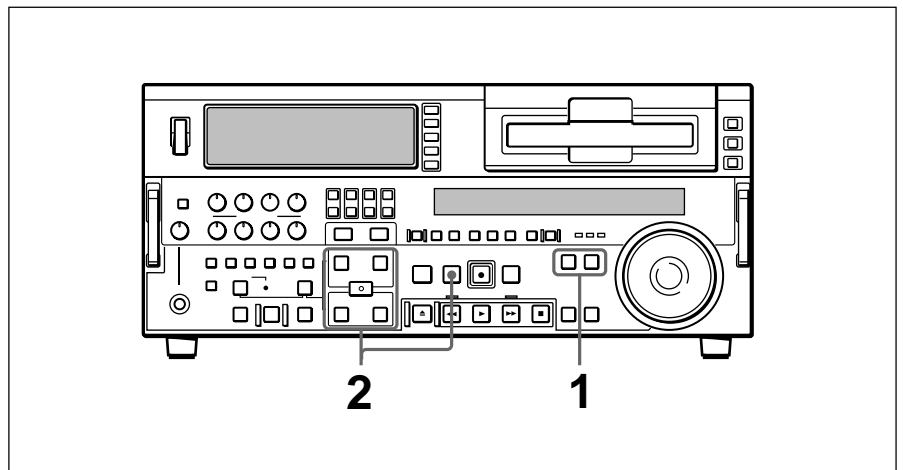
The edit point is deleted, and the DELETE button goes off.

Cuing Up to Edit Points

You can cue up to any edit point, or cue up to a position located a specified amount of time before the edit start point (preroll).

To cue up to an edit point

Use the following procedure.



- 1 Press the RECORDER button or PLAYER button to select the VCR on which you wish to cue up to an edit point.

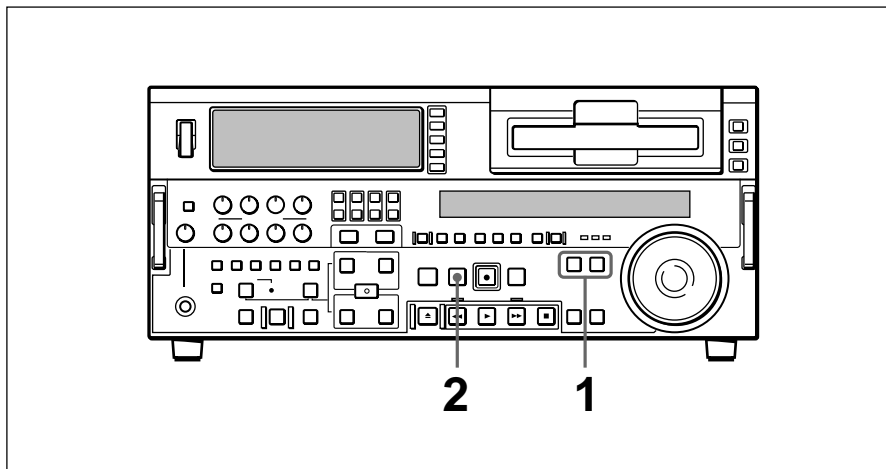
The button you have pressed lights.

- 2 Hold down the IN, OUT, AUDIO IN, or AUDIO OUT button according to the edit point to which you wish to cue up, and press the PREROLL button.

The edit point you have selected is cued up.

To preroll

Use the following procedure.



- 1** Press the RECORDER button or PLAYER button to select the VCR on which you wish to carry out a preroll.

The button you have pressed lights.

- 2** Press the PREROLL button.

The tape is wound back to a position 5 seconds (factory default setting) before the edit IN point, and stops.

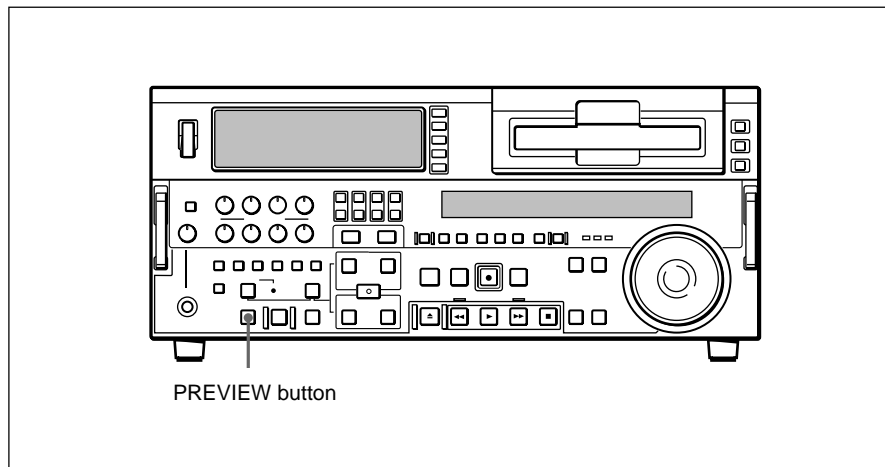
To change the preroll time

The factory default setting for the preroll time is 5 seconds, but you can use basic menu item 001 to change this to any value from 0 to 30 seconds. If you change the preroll time, make sure that the setting is not longer than the recording length before the edit IN point.

Note that for automatic editing, the preroll time setting on the recorder takes precedence.

Checking Edit Results—Preview

When you have set the edit points, the PREVIEW button flashes, indicating that you can carry out a preview.



To carry out a preview, press the PREVIEW button. The PREVIEW button changes from flashing to continuously lit, and the preview is carried out. At the end of the preview, the PREVIEW button flashes again.

To stop the preview

Press the STOP button. The tape stops at the position where you pressed the button.

To return the tape to the preroll point

Press the PREROLL button.

To return the tape to the IN point or OUT point

Press the PREROLL button and the IN button or OUT button simultaneously.

After the preview, make any necessary adjustments to the edit points, then repeat the preview.

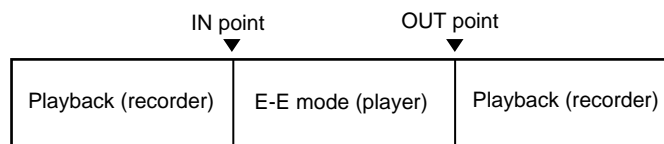
For details of how to modify or delete edit points, see the section “Modifying Edit Points” (page 76).

Monitor output during a preview

During a preview, you can monitor the following video and audio on a monitor connected to the recorder.

- From the preroll point to the IN point, you can monitor the playback from the recorder.
- From the IN point to the OUT point, you can monitor the playback from the player through the recorder in E-E mode.
- From the OUT point to the postroll point, you can monitor the playback from the recorder.

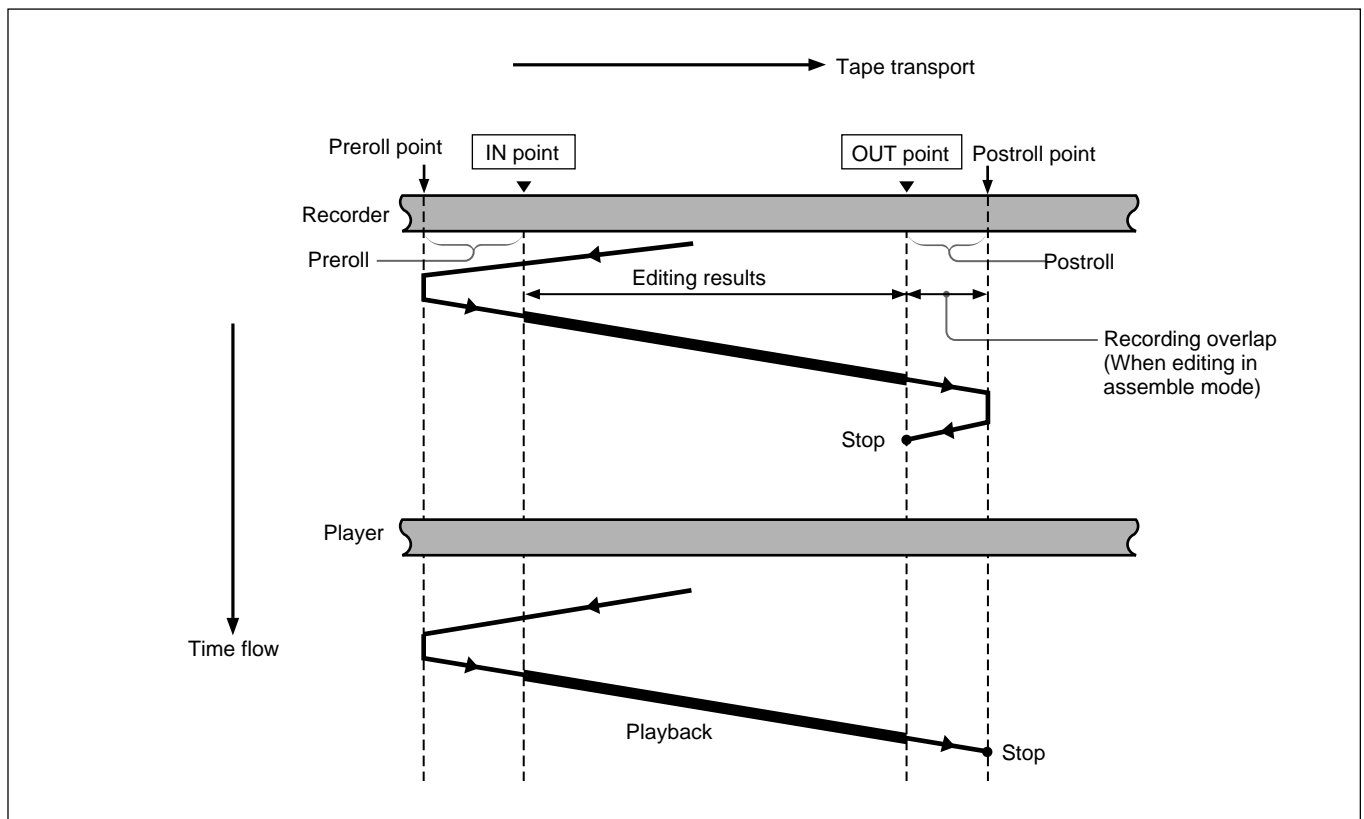
The following figure illustrates this.



Executing Automatic Editing

Overview of editing operations

The figure below shows how the recorder and player operate during editing.



Automatic Editing

Monitor output during an edit

During execution of an automatic edit, on a monitor connected to the recorder, you can monitor the same video and audio as during a preview (see page 81).

However, during preread editing (see page 87), only the playback from the recorder can be monitored.

Using a single monitor for video and audio on both player and recorder

For efficient editing if only one monitor is available, use the following method.

- 1 Connect the monitor to the recorder.
- 2 In the setup menus, set item 008 to “AUTO”.
- 3 Press the PLAYER button on the recorder.

This forces the recorder to E-E mode, in which the player video and audio signals are output to the monitor.

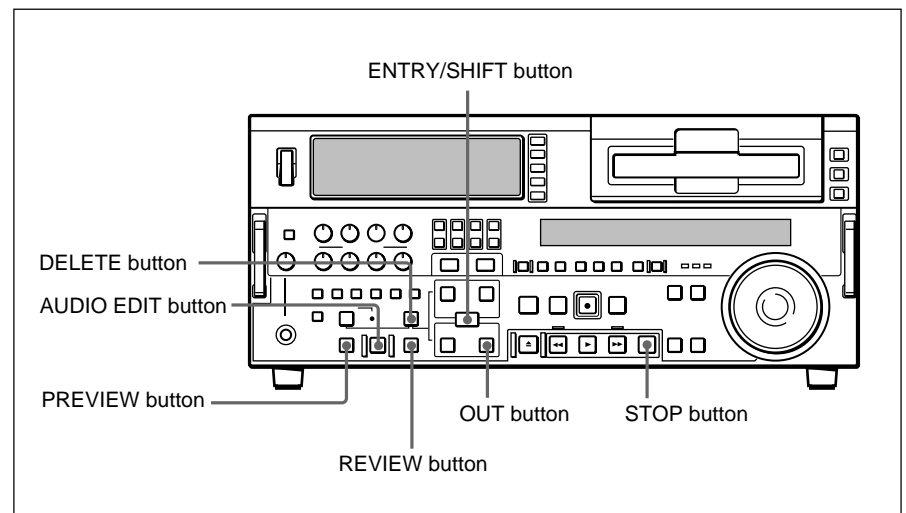
Note

Continuous recording must exist on the recorder tape to be used in insert editing. It is not possible to carry out editing on a section of the tape with no signal recorded.

Starting automatic editing

When you have set the edit points, press the flashing AUTO EDIT button. The AUTO EDIT button changes from flashing to continuously lit, and the automatic editing operation begins.

At the end of the editing operation, the AUTO EDIT button goes off.



To change the OUT point after starting automatic editing operation

After starting the automatic editing operation, to end the operation before the preset OUT point, hold down the ENTRY/SHIFT button and press the OUT button.

The position where you pressed the button becomes the OUT point, and editing ends.

To abandon automatic editing

Press the STOP button.

The automatic editing operation is abandoned. At the same time, the PREVIEW button and AUTO EDIT button start flashing, and the state before the editing was started is restored.

In this case, the IN and OUT points already set are preserved so that you can carry out a preview or automatic editing operation again by pressing the PREVIEW button or AUTO EDIT button.

Reviewing the editing results

After carrying out an editing operation, you can carry out a review, to check the editing results on the monitor.

To carry out a review, after carrying out the edit, and before you set any new edit points or make other settings, press the REVIEW button.

The REVIEW button lights, and the review is carried out.

At the end of the review the REVIEW button goes off, and the tape returns to the OUT point.

After automatic editing, to adjust the edit points and reexecute the edit

Hold down the DELETE button and press the ENTRY/SHIFT button to recall the edit points. After adjusting the edit points, press the AUTO EDIT button to carry out the edit again.

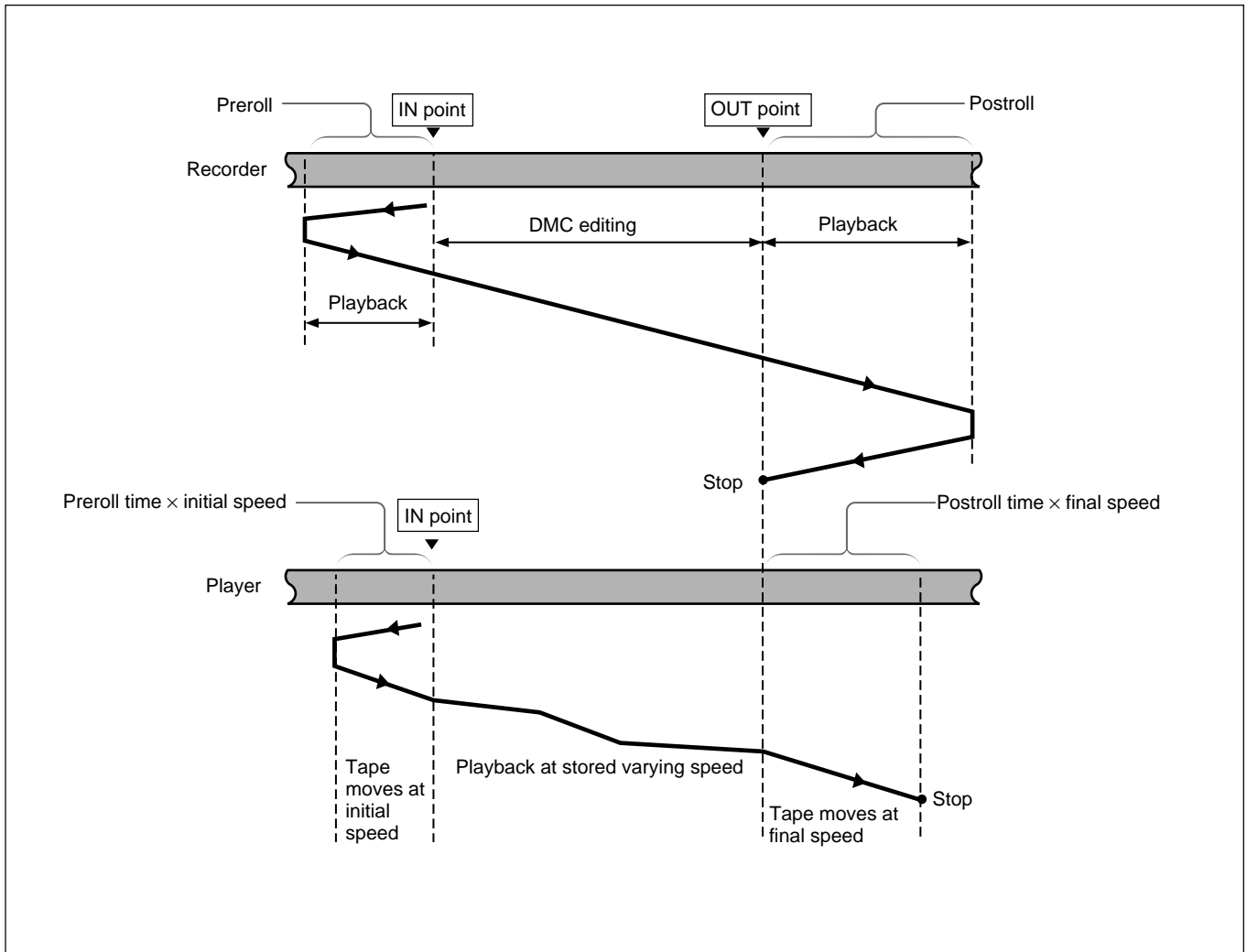
For details of how to adjust edit points, see the section “Modifying Edit Points” (page 76).

DMC Editing

You can carry out variable speed editing, controlling the player playback speed from the recorder.

Overview of DMC Editing

The following figure illustrates how the tapes move on both the player and recorder during DMC editing.

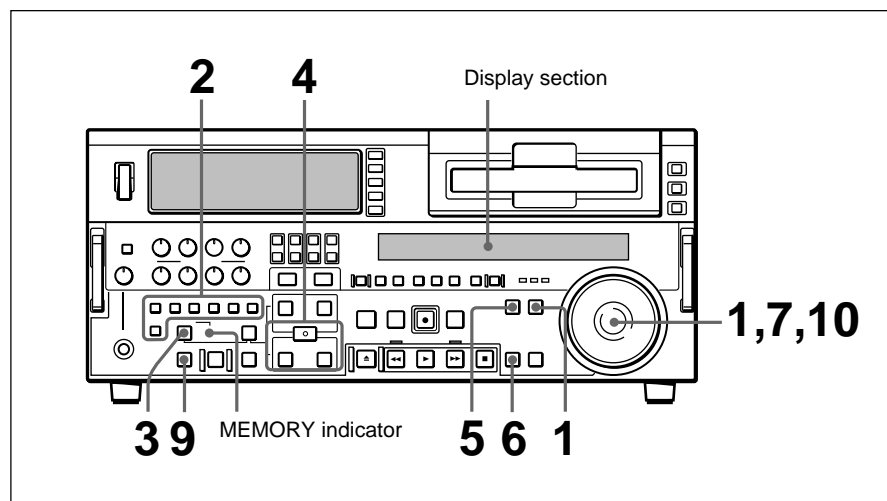


DMC editing can be used for insert or assemble editing, but cannot be used for audio split editing.

Carrying Out DMC Editing

Setting the edit points and player speed

Use the following procedure.



- 1 Press the RECORDER button.
- 2 Press the ASSEMBLE button or INSERT button to select an edit mode.
- 3 Press the DMC EDIT button.

The unit switches to the DMC edit mode, and the DMC EDIT button lights.
- 4 Holding down the ENTRY/SHIFT button, press the IN or OUT button to set an edit point.
- 5 Press the PLAYER button, to set the player IN point.

Note

It is not possible to set the player OUT point.

- 6 Press the SEARCH button or search dial so that the SHUTTLE indicator in the display section is lit.
- 7 Holding down the DMC EDIT button, turn the search dial to set the initial speed.
To select normal speed as the initial speed, press the PLAY button.

The speed you set appears in the display section.

- 8 When the initial speed setting is complete, release the DMC EDIT button.

(Continued)

9 Press the PREVIEW button.

The tape is prerolled and then the recorder starts operating at normal speed and the player at the set initial speed.

10 On passing the IN point, the MEMORY indicator begins to flash: turn the search dial to vary the playback speed.

While the MEMORY indicator is flashing, the speed variations are stored in memory. On passing the OUT point, the MEMORY indicator changes from flashing to continuously lit, and the variable speed storing ends.

If the MEMORY indicator lights continuously before the speed variation end point

This indicates that the memory became full at that point. Thus even before the OUT point is reached, it is not possible to record more speed variation. The maximum capacity is a duration of 120 seconds.

To quit the DMC edit mode

Hold down the DELETE button and press the DMC EDIT button.

To execute the DMC edit

Press the AUTO EDIT button.
DMC editing is carried out at the stored varying speed.
Once the editing is carried out, the stored speed variation is lost from memory.

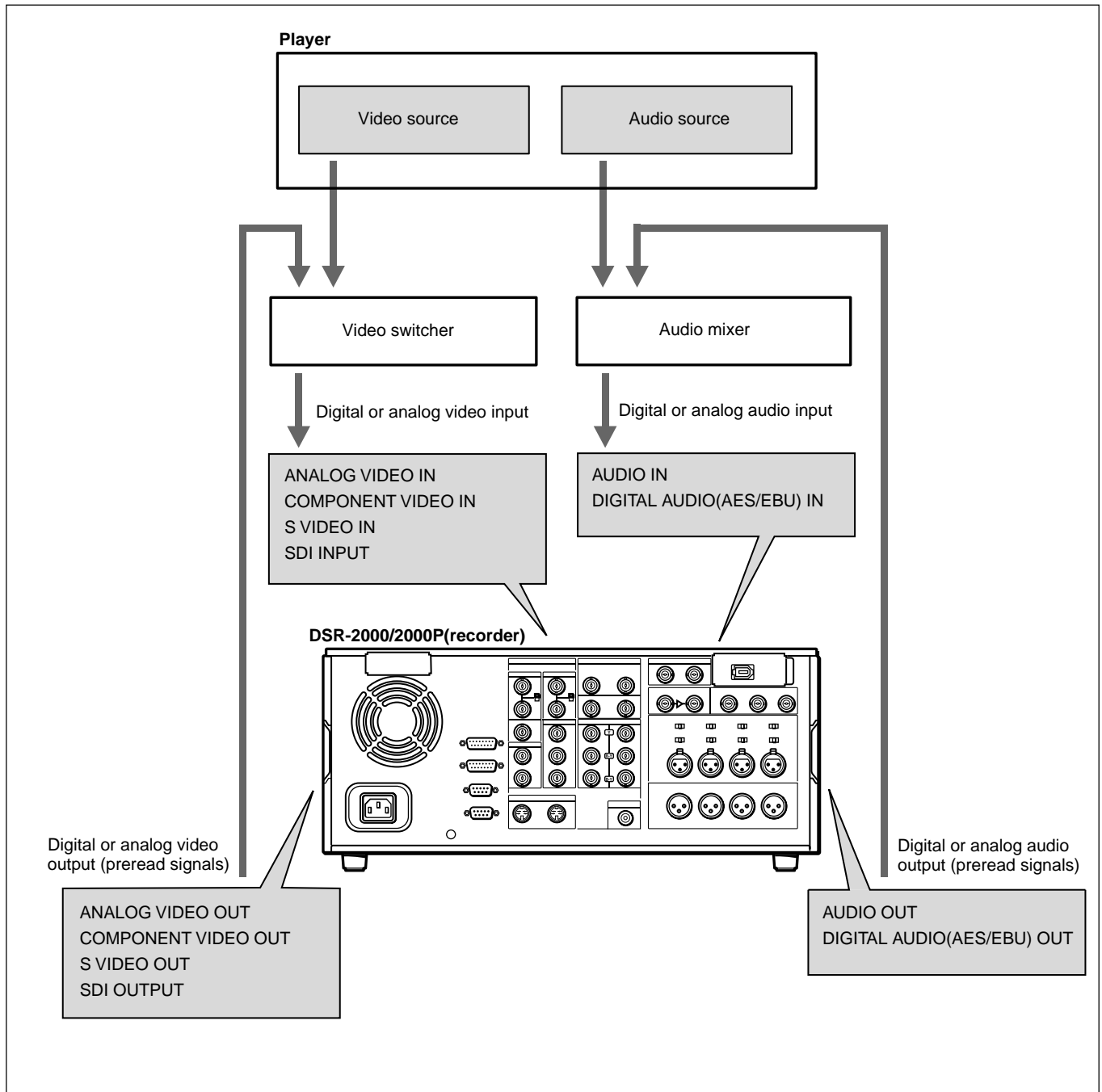
To check the editing results

Press the REVIEW button.

Preread Editing

Video and audio signals already recorded on the recorder tape can be used as an edit source for insert editing. This type of editing is called “preread editing”, as the VCR uses the preread heads to read the signals in advance from the tape.

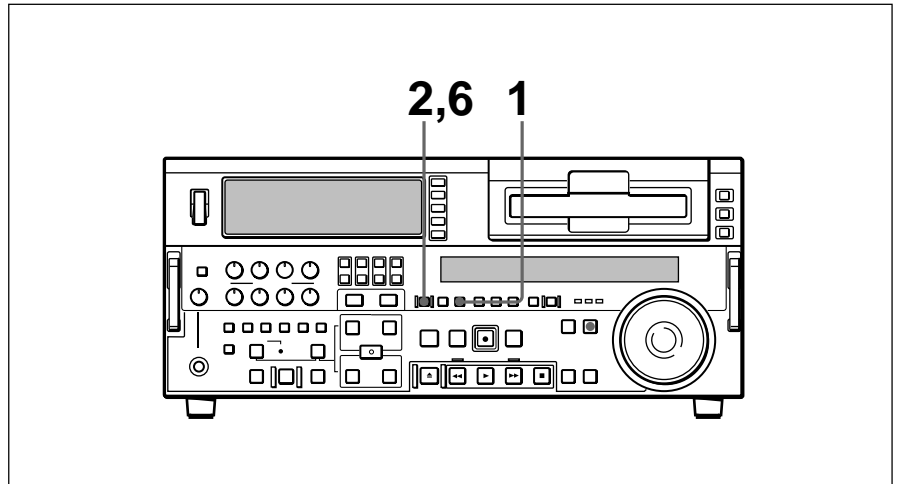
The video signals read out by the preread heads can be sent to a video switcher, and combined with video signals from the player for recording. The audio signals read out by the preread heads can be sent to an audio mixer for mixing with audio signals from the player for recording, and can be recorded either on the original channels or on other audio channels.



Note

- You cannot carry out preread editing using SDTI or i.LINK signals.
- When the preread mode is selected (the PREREAD button is lit), to prevent feedback in the loop connection, no E-E video out is available, regardless of the operating mode of the unit. When preread mode is turned off after preread editing, however, if the same channel remains connected to both input and output, an E-E signal is output, and feedback will occur. To prevent this, select PB mode as in step **1** of the following procedure.

To carry out preread editing, use the following procedure.



- 1** Press the PB button, turning it on.
- 2** Press the PREREAD button, turning it on.
- 3** Make the necessary connections for the preread editing. (*See the illustrations on the previous page and on page 129.*)
- 4** After selecting the desired insert edit mode, carry out the preread editing.

For details of how to select an edit mode, set edit points, etc., see Chapter 4 "Editing" (page 67).

- 5** When the preread editing is completed, remove the connections.
- 6** Press the PREREAD button, turning it off.

Special Editing Methods

This section describes the following editing methods.

- **Quick editing**

After selecting an edit mode, you can save on editing time by setting the edit points and executing the edit at the same time.

- **Continuous editing**

When you execute multiple edits in succession, you can edit from the second time on by setting the player IN and OUT points only.

- **Standalone editing**

You can carry out editing using as the player an external device, for example a signal generator, which cannot be controlled remotely through the REMOTE-IN or REMOTE-OUT connector.

- **Manual editing**

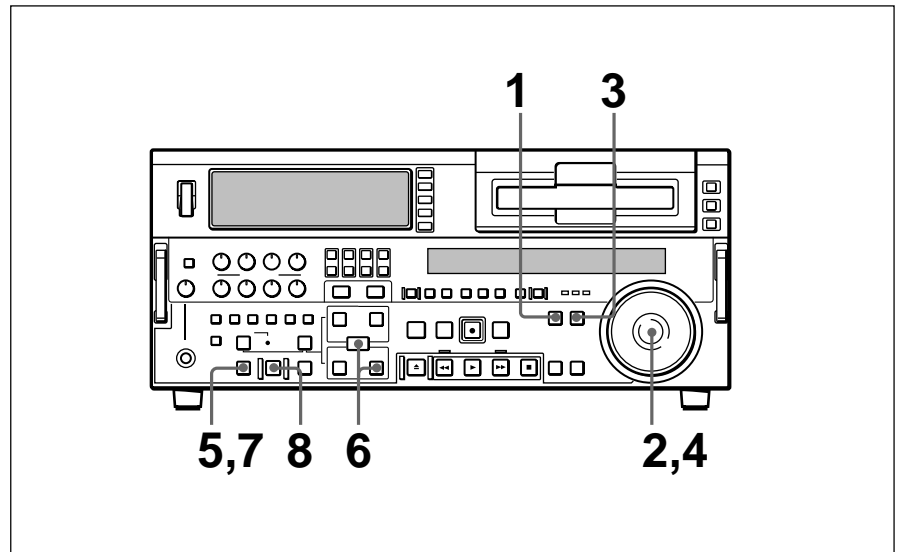
Without setting edit points in advance, you can carry out editing manually while watching the monitor screen.

- **Adding a narration (Sound-on-sound)**

Using this unit alone, it is possible to carry out simple sound-on-sound editing (such as adding a narration).

Quick Editing

After selecting an edit mode, you can save on editing time by setting the edit points and executing the edit at the same time.



- 1** Press the **PLAYER** button, turning it on.
- 2** Stop the tape on the player at the position you wish to make the **IN** point.
- 3** Press the **RECORDER** button, turning it on.
- 4** Stop the tape on the recorder at the position you wish to make the **IN** point.
- 5** Press the **PREVIEW** button.

A preview starts.

The tape positions determined in steps **2** and **4** are set as the player **IN** point and recorder **IN** point, respectively.

- 6** Watching the editing on the monitor, at the position you wish to make the **OUT** point, hold down the **ENTRY/SHIFT** button and press the **OUT** button.

Both the player **OUT** point and recorder **OUT** point are set.

- 7** Carry out another preview and modify the edit points as required.

For details of how to modify edit points, see the section "Modifying Edit Points" (page 76).

8 Press the AUTO EDIT button.

The edit starts.

When the edit finishes, the recorder stops at the OUT point and the player stops about 2 seconds after the OUT point.

To edit even more quickly

By skipping the preview in the foregoing procedure, you can execute the edit even more quickly. To do so, proceed as follows.

1 Perform steps 1 through 4 of the foregoing procedure.

2 Press the AUTO EDIT button.

The edit starts.

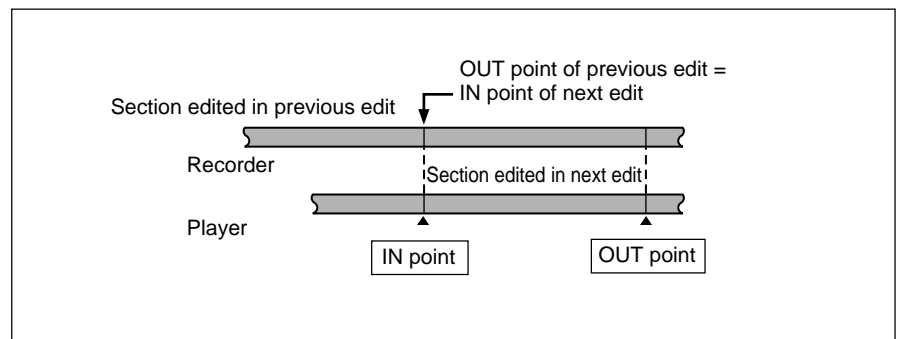
3 Watching the editing on the monitor, at the position you wish to make the OUT point, hold down the ENTRY/SHIFT button and press the OUT button.

The edit ends.

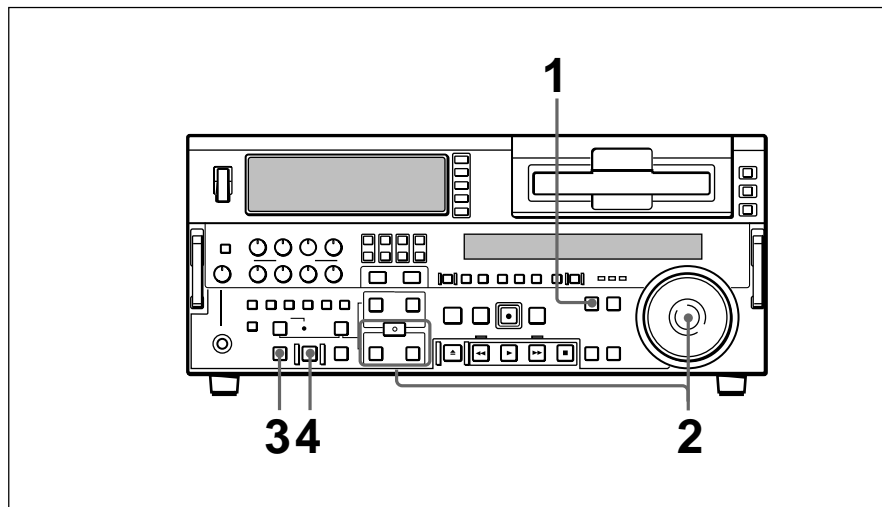
The point where the edit started is set as the IN point, and the point where the edit ended is set as the OUT point.

Continuous Editing

When you execute multiple edits in succession, you can edit from the second time on by setting the player IN and OUT points only. After execution of an edit, the recorder returns automatically to the OUT point. Therefore, the recorder OUT point of the current edit becomes the IN point of the next edit.



To carry out continuous editing, use the following procedure.



- 1** Press the **PLAYER** button, turning it on.
- 2** Set the player **IN** and **OUT** points.

*For details of how to set **IN** and **OUT** points, see the section “Setting Edit Points” (page 72).*

On the recorder, the **OUT** point for the previous edit becomes the new **IN** point.

- 3** Press the **PREVIEW** button to carry out a preview.
- 4** Press the **AUTO EDIT** button.

The edit starts.

When the edit finishes, the recorder stops at the **OUT** point and the player stops about 2 seconds after the **OUT** point.

To stop the edit

Press the **ENTRY/SHIFT** button together with the **OUT** button.

The edit ends, and the point where you pressed the buttons becomes the **OUT** point.

To abort the edit

Press the **STOP** button.

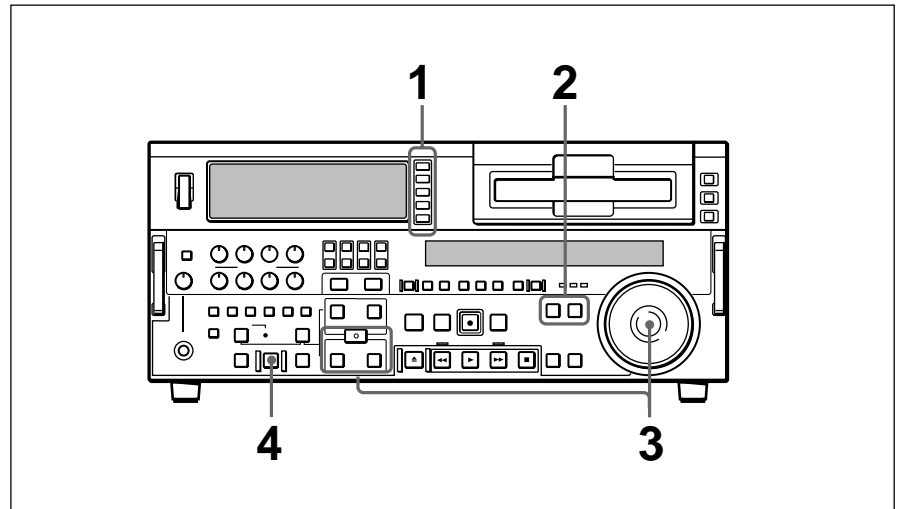
By repeating this process, you can carry out continuous editing.

*With extended menu item 326, a setting can be made so that the preceding **OUT** point automatically becomes the new **IN** point.*

Standalone Editing

This method allows you to use as the player an external device which cannot be controlled remotely through the REMOTE-IN or REMOTE-OUT connector. For example, you can record a color bar signal from a signal generator in the joints between the scenes of an already completed tape.

For standalone editing, use the following procedure.



- 1** In the input selection section, select the signal being generated by the signal generator connected to the unit.
For details of the input selection section, see page 14.
- 2** Press both the PLAYER button and RECORDER button, turning them off.
- 3** Set the IN point and, if necessary, also OUT point.

The AUTO EDIT button flashes.

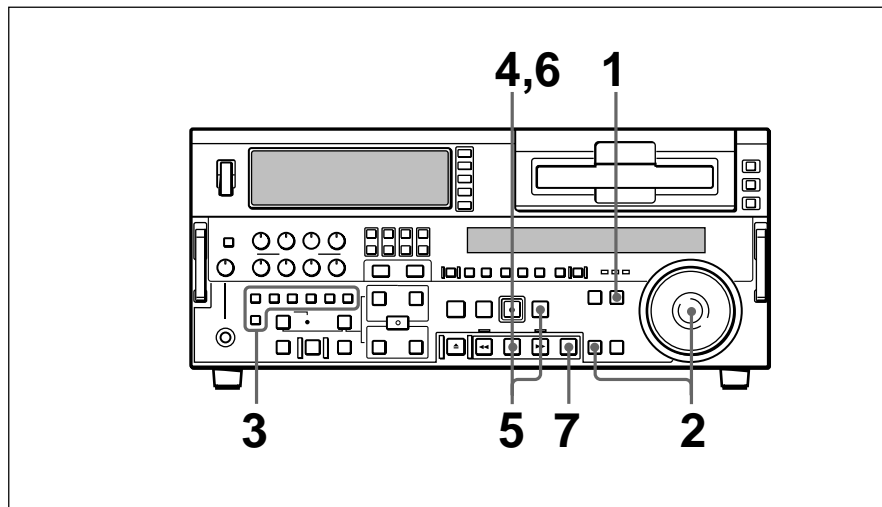
For details of how to set IN and OUT points, see the section "Setting Edit Points" (page 72).

- 4** Press the AUTO EDIT button.

The edit is carried out.

Manual Editing

To carry out manual editing, start playback on the player beforehand, then use the following procedure.



- 1** Press the RECORDER button, turning it on.
- 2** Use the search dial in jog or shuttle mode to find the edit start point (the recorder IN point), and stop the tape just before this point.
- 3** Select an edit mode.

For details of how to select an edit mode, see the section "Selecting an Edit Mode" page 71.

- 4** Press the PLAY button.

The recorder begins playback.

Note

It takes about two seconds until the playback video stabilizes. For this reason, start the playback from before the segment of video you wish to use.

- 5** At the edit start point (the recorder IN point), press the EDIT button and PLAY button simultaneously.

The edit starts.

- 6** At the edit end point (the recorder OUT point), press the PLAY button.

The edit ends, and the recorder continues with playback.

- 7** Press the STOP button to stop the recorder playback.

Adding a Narration (Sound-on-Sound)

By means of preread editing with an audio mixer connected (*see page 87*), you can mix in an audio signal with the existing recorded soundtrack, but extension menu item 819 provides a simple sound-on-sound editing function for adding a narration, using this unit alone.

To add a narration from microphone input

As an example, the following procedure describes how to record a narration mixed with audio channels 1 and 2 already recorded on the tape, when the microphone is connected to input audio channel 1.

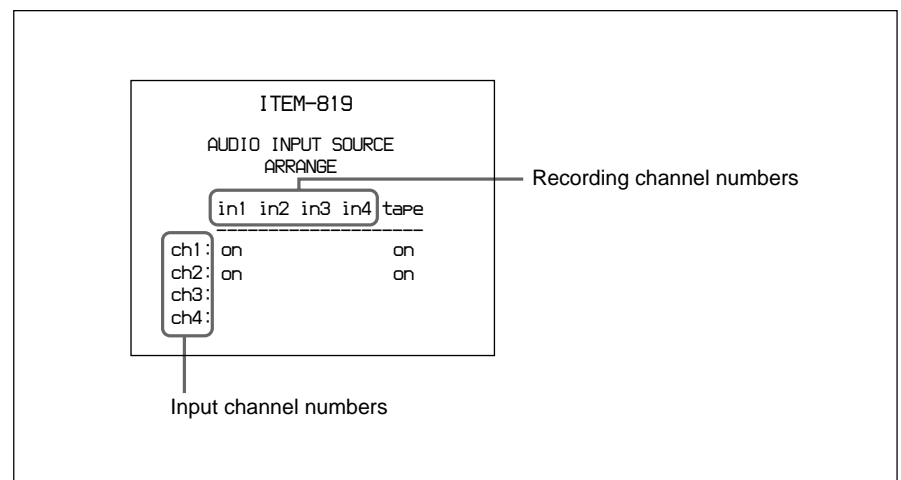
In this case, first connect the microphone to the AUDIO IN CH-1 connector, and set the audio input and editing mode as follows.

- In the input selection section (*see page 14*), with the CH1, 1/2 button, select an analog audio signal.
- In the edit mode setting section (*see page 20*), press the INSERT CH-1 and CH-2 buttons, turning them on.

After checking the above settings, use the following procedure.

- 1** Set extension menu item 819 as follows.

Extension menu item 819 settings (on monitor screen)



For details of extension menu item 819 settings, see page 123.

- 2** Press the MIXING button in the upper control panel, turning it on.
- 3** Carry out insert editing on audio channels 1 and 2 (CH-1 and CH-2) while reciting the narration into the microphone.

ClipLink Operation

Overview of ClipLink Operation

The ClipLink function provides the following.

- Displaying ClipLink log data
- Cueing up to Mark IN/OUT points and cue points
- Rewriting ClipLink log data (reel numbers, Mark IN/OUT points, and OK/NG status only)
- Creating additional ClipLink log data and deleting ClipLink log data (Mark IN/OUT points only)
- Automatically creating new ClipLink log data (Mark IN/OUT points only)

When Mark IN/OUT points are created, the scene number and take number for them are fixed at 000 and 00, respectively.

The above operations other than automatic creation of new ClipLink log data require the ClipLink log data list display.

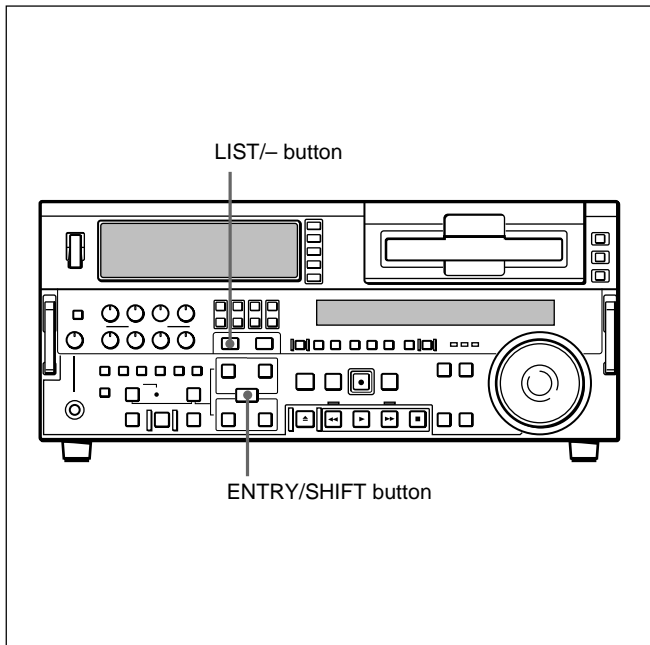
Notes

- For a tape on which index pictures are already recorded, you cannot change any ClipLink log data other than the reel numbers and OK/NG status. (When index pictures are recorded on a tape, the ClipLink log data list for the tape shows an IP indication.)
- You cannot carry out ClipLink operation such as “Continue” on the DSR-1/IP or DSR-300/300P/500WS/500WSP for a tape whose ClipLink log data has been modified on this unit.

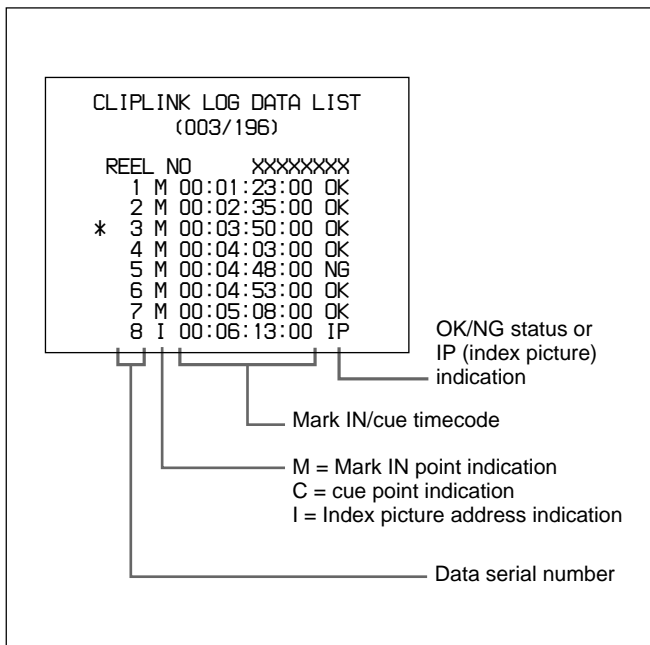
For an overview of the ClipLink function, see the appendix “ClipLink Guide” (page 147).

Displaying ClipLink Log Data

To display ClipLink log data, hold down the ENTRY/SHIFT button and press the LIST/- button.



The following ClipLink log data list appears in the monitor.

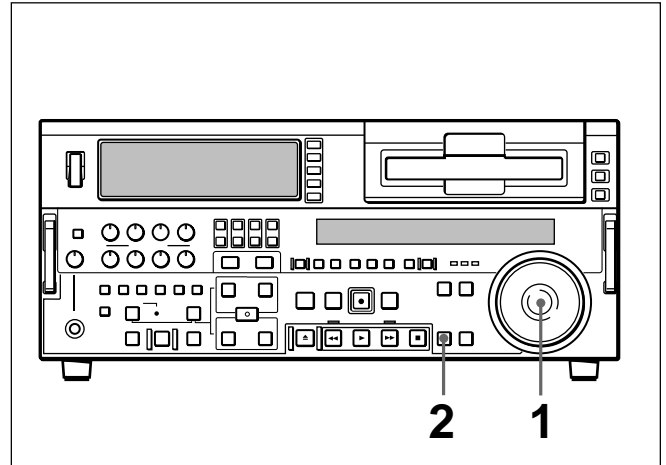


To return to the original monitor display

To exit from the ClipLink log data list and return to the original monitor display, hold down the ENTRY/SHIFT button and press the LIST/- button.

Detailed Data Display

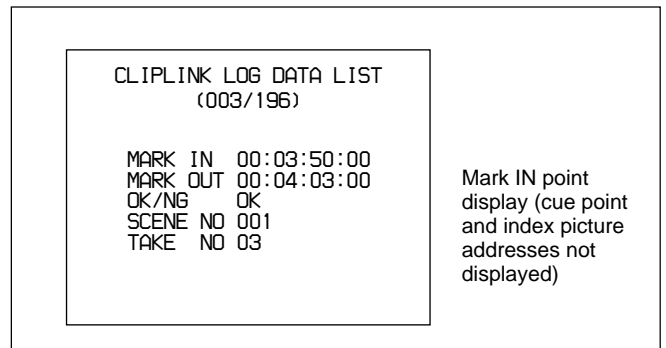
To check more details related to the data item selected on the ClipLink log data list, proceed as follows.



1 Using the search dial, move the selection mark (asterisk) to the data item for which you wish to display details.

2 Press the SEARCH button.

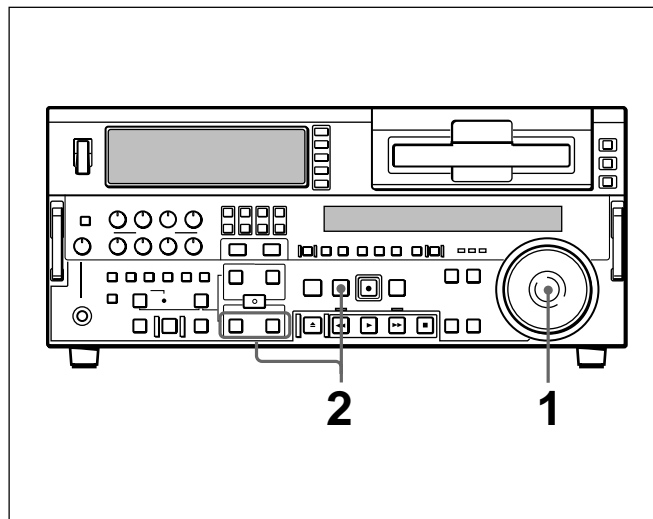
While you hold the search button down, the detailed data display appears.



Cuing Up to Mark IN/OUT and Cue Points

Cuing Up to Any Desired Position

To cue up to the point specified by the data item selected on the ClipLink log data list, proceed as follows.



- 1 Using the SEARCH dial, move the selection mark (asterisk) to the desired data item on the ClipLink log data list.

When the selected data item display contains “M” mark

The Mark IN point address is stored as the IN point and the Mark OUT point address is stored as the OUT point. At the same time, the IN button and the OUT button on the control panel light.

When the selected data item display contains “C” mark

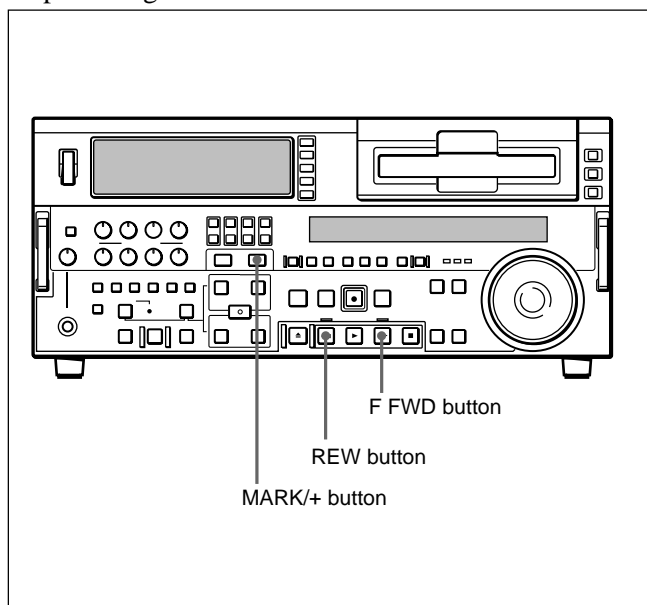
The cue point address is stored as the IN point and the IN button on the control panel lights.

- 2 Operate as follows.
 - **To cue up to the mark IN point or cue point**
Holding down the IN button, press the PREROLL button.
 - **To cue up to the mark OUT point**
Holding down the OUT button, press the PREROLL button.

This exits from the ClipLink log data list and cues up to the selected position.

Cuing Up to Adjacent Mark IN/ Cue Points

Once you select data on a ClipLink log data list, you can cue up to the point preceding or following the selected data with ease without reverting to the ClipLink log data list.



To cue up to the Mark IN point or cue point preceding the current point selected on the list

Holding down the MARK/+ button, press the REW button.

During the cue-up operation is in progress, the REW button flashes.

To cue up to the Mark IN point or cue point following the current point selected on the list

Holding down the MARK/+ button, press the F FWD button.

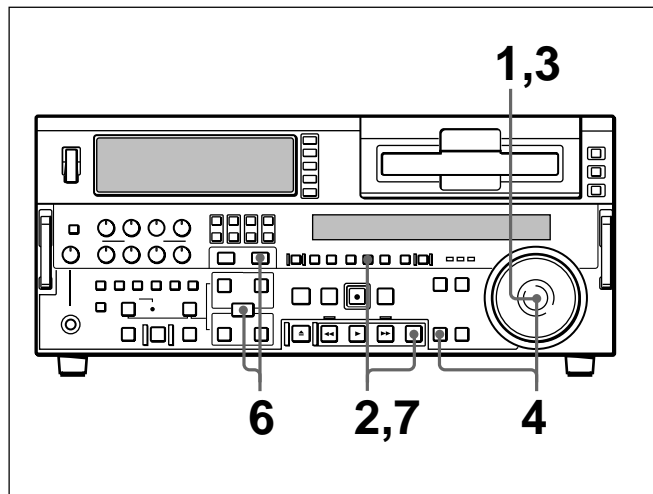
During the cue-up operation is in progress, the F FWD button flashes.

Rewriting ClipLink Log Data

You can rewrite the reel number, Mark IN/OUT points and OK/NG status included in the ClipLink log data.

Changing the Reel Number

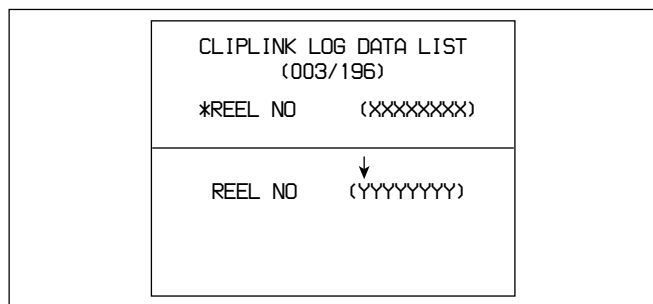
To change the reel number of the data item selected on the ClipLink log data list, proceed as follows.



1 Using the search dial, move the selection mark (asterisk) to the desired data item on the ClipLink log data list.

2 Hold down the STOP button and press the SET button.

The following setting screen appears.



3 Turn the search dial to select the digit to change.

Rotating the search dial clockwise moves the current digit position to the right, and counterclockwise moves it to the left.

4 Hold down the SEARCH button and turn the search dial to change the digit indicated by an arrow (↓).

5 Repeat steps **3** and **4** until the settings for all digits are complete.

6 When all digits have been set, hold down the ENTRY/SHIFT button and press the MARK/+ button.

The reel number changes.

7 Hold down the STOP button and press the SET button.

This returns to the original ClipLink log data list.

Note

If you carry out step **7** skipping step **6**, the original ClipLink log data list appears again on the monitor and, in this case, the reel number is not rewritten.

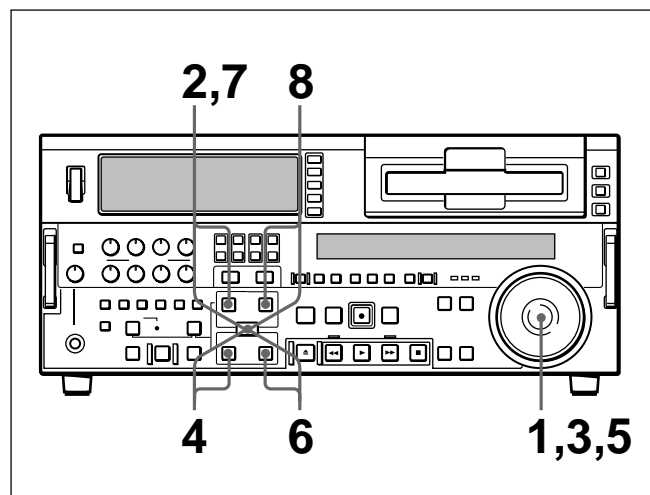
Changing Mark IN/OUT Points

To change Mark IN/OUT points selected on the ClipLink log data list, perform the following procedure.

When Mark IN/OUT points are rewritten to the cassette memory, the frame digits of the address data are processed as follows.

For Mark IN point: Any frame-digits value is counted as 1 second.

For Mark OUT point: Any frame-digits value is ignored.



- Using the search dial, move the selection mark (asterisk) to the desired data item on the ClipLink log data list.

The Mark IN point address is stored as the IN point and the Mark OUT point address is stored as the OUT point. At the same time, the IN button and OUT button light and the ENTRY/SHIFT button starts flashing.

- Perform either one of the following operations.
 - Hold down the ENTRY/SHIFT button and press the LIST/- button, exiting from the ClipLink log data list.
 - Cue up to the IN point or OUT point. (See page 99.)

- Cue up to the tape position to be made the new Mark IN point. (See page 72.)

- Holding down the IN button, press the ENTRY/SHIFT button.

The ENTRY/SHIFT button lights and the Mark IN point address changes.

- Cue up to the tape position to be made the new Mark OUT point. (See page 72.)

- Holding down the OUT button, press the ENTRY/SHIFT button.

The Mark OUT point address changes.

- Holding down the ENTRY/SHIFT button, press the LIST/- button to display the ClipLink log data list, then make sure the selection mark (asterisk) is kept at the position of the desired data item selected in step 1.

If the selection mark (asterisk) is at a wrong position

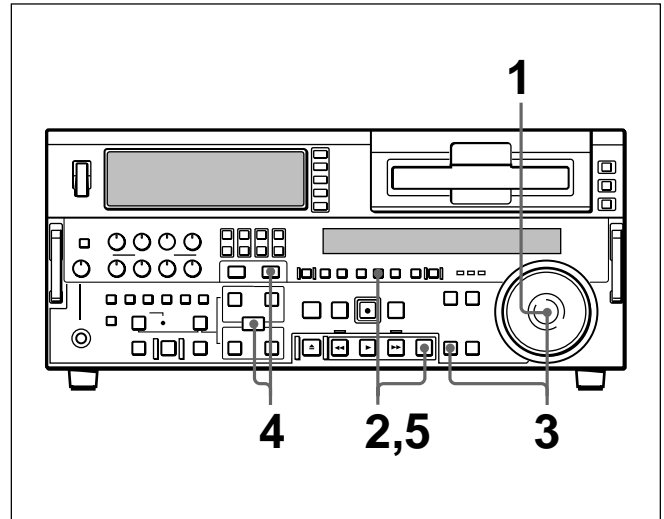
Using the search dial, return the selection mark to the desired data item.

- Holding down the ENTRY/SHIFT button, press the MARK/+ button.

The ENTRY/SHIFT button goes out and the Mark IN point and Mark OUT point addresses are rewritten.

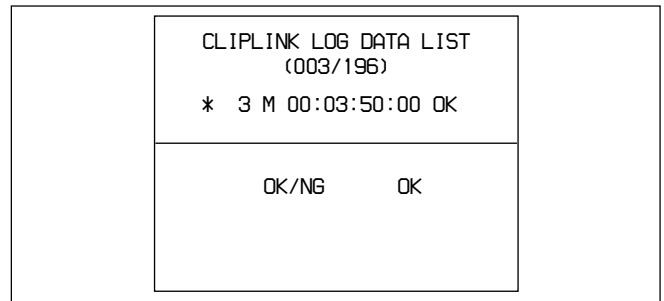
Changing the OK/NG Status

To change the OK/NG status of the data item selected on the ClipLink log data list, proceed as follows.



- Using the search dial, move the selection mark (asterisk) to the desired data item on the ClipLink log data list.
- Hold down the STOP button and press the SET button.

The following setting screen appears.



- Hold down the SEARCH button and turn the search dial to change the setting to OK or NG as required.
- Holding down the ENTRY/SHIFT button, press the MARK/+ button.

The OK/NG status is rewritten.

(Continued)

Rewriting ClipLink Log Data

- 5 Hold down the STOP button and press the SET button.

This returns to the original ClipLink log data list.

Note

If you carry out step **5** skipping step **4**, the original ClipLink log data list appears again on the monitor and, in this case, the OK/NG status is not rewritten.

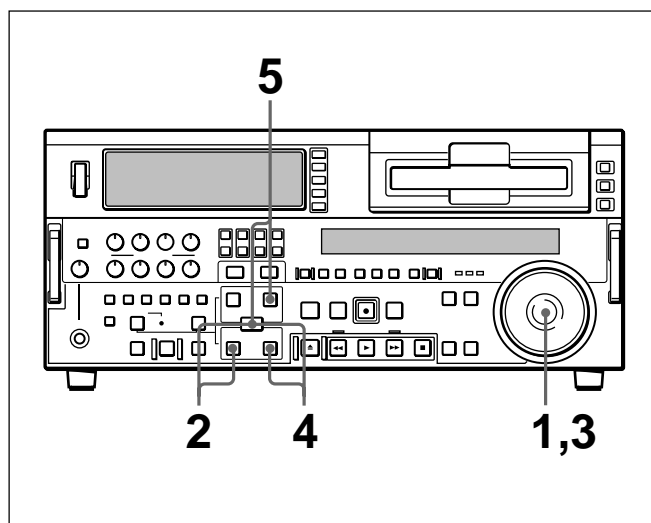
Adding to/Deleting From ClipLink Log Data

You can add new Mark IN/OUT point data to the ClipLink log data or delete Mark IN/OUT point data from the ClipLink log data.

Adding Mark IN/OUT Points

Set the setup menu item 129 (CLIPLINK) to ON beforehand, then proceed as follows.

For information about how to operate the setup menu, see Chapter 6 "Setup Menu" on page 107.



- 1 Cue up to the tape position you wish to make an additional Mark IN point. (See page 72.)
- 2 Holding down the IN button, press the ENTRY/SHIFT button.

The IN button lights, and the Mark IN point address is set.
- 3 Cue up to the tape position you wish to make an additional Mark OUT point. (See page 72.)
- 4 Holding down the OUT button, press the ENTRY/SHIFT button.

The OUT button and ENTRY/SHIFT button light, and the Mark OUT point address is set.

- 5 Holding down the ENTRY/SHIFT button, press the MARK/+ button.

The ENTRY/SHIFT button goes out, and the Mark IN point and Mark OUT point data is added to the end of the existing ClipLink log data.

Note

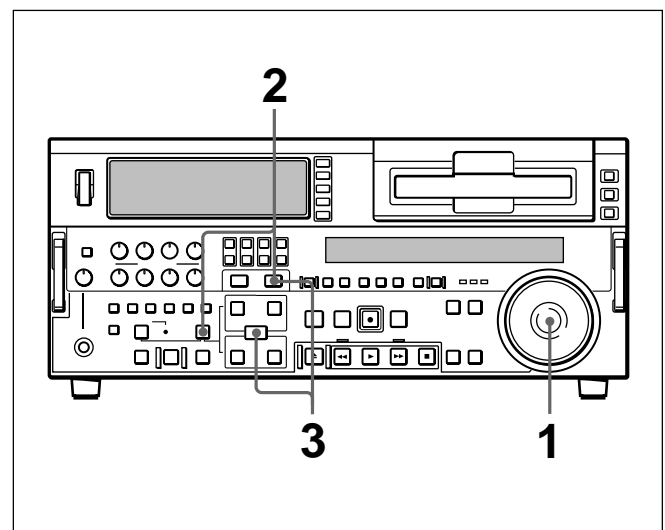
The volume of ClipLink log data that can be stored in a cassette memory depends on the cassette memory capacity as follows.

Cassette memory capacity	Storable volume of data
4K bits	45 pairs of Mark IN and Mark OUT points
16K bits	198 pairs of Mark IN and Mark OUT points

When adding to the existing ClipLink log data, carefully watch the ClipLink log data list not to allow the additional data to exceed the available cassette memory capacity.

Deleting Mark IN/OUT Points

After displaying the ClipLink log data, proceed as follows.



- 1 Using the search dialog, move the selection mark (asterisk) to the desired data item on the ClipLink log data list.

(Continued)

Adding to/Deleting From ClipLink Log Data

- 2** Holding down the DELETE button, press the MARK/+ button.

The specified data disappears from the ClipLink log data list.

- 3** Holding down the ENTRY/SHIFT button, press the MARK/+ button.

Note

If you exit from the ClipLink log data list skipping step **3**, the previous data is restored. The data specified for deletion is not deleted.

Automatically Creating New ClipLink Log Data

When the setup menu item 129 (CLIPLINK) is set to ON, you can automatically create new Mark IN/OUT points during recording or editing operation.

For information about how to operate the setup menu, see Chapter 6 “Setup Menu” on page 107.

New Mark IN/OUT points are created as follows.

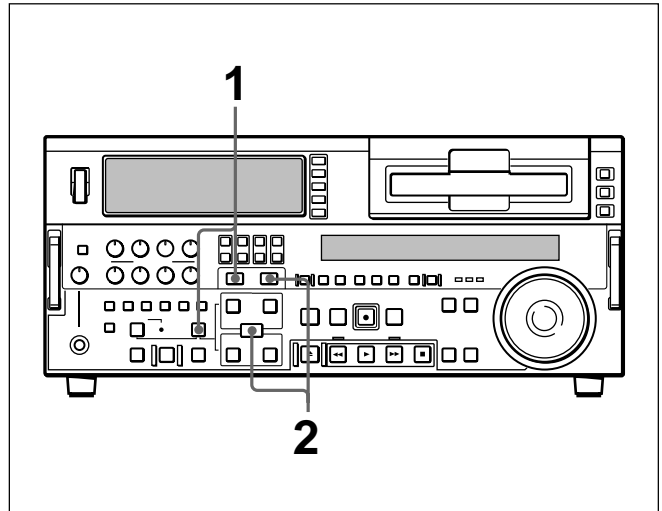
Operation	Automatic creation of Mark IN/OUT points
Recording	The recording starting point is made a Mark IN point and the recording ending point is made a Mark OUT point.
Editing	The edit IN point (the video IN point or audio IN point whichever coming first) is made a Mark IN point and the edit OUT point is made a Mark OUT point.

Notes

- If recording or editing is carried out when the setup menu item 129 (CLIPLINK) is set to OFF, the existing ClipLink log data is erased.
- If you carry out recording or editing on a tape on which index pictures are already recorded, the existing ClipLink log data for the tape is lost.
- The Mark IN/OUT point data automatically created during recording or editing operation for a tape on which no index pictures are recorded is added to the end of the existing ClipLink log data for the tape. In this case, if you carry out recording or editing on a tape position linked to the existing ClipLink log data, the link between them is lost. Therefore, when you start creating new ClipLink log data, where on the tape to start recording or editing must be determined very carefully. **If the existing ClipLink log data is no longer required, erase it beforehand.**

To erase ClipLink log data

After displaying the ClipLink log data list, proceed as follows.



- 1** Holding down the DELETE button, press the LIST/- button.

The data shown on the ClipLink log data list disappears.

- 2** Holding down the ENTRY/SHIFT button, press the MARK/+ button.

The message “NO CLIPLINK LOG DATA” appears on the screen and the ClipLink log data is completely erased.

Setup Menu

Menu System Configuration

The setup menu system of this unit comprises the basic menu and extended menu.

- **Basic menu**

This menu is used to make settings relating, for example, to the following.

- the digital hours meter
- the preroll time
- the text information superimposed on the video output to the monitor
- the menu banks for retaining menu settings

For detailed information about menu operation relating to the digital hours meter, see “Digital hours meter” (page 136).

- **Extended menu**

This menu is used to make a wide range of settings relating to the functions of this unit, for example, the control panel functions, video and audio control, and digital data processing.

Basic Menu

Items in the Basic Menu

The basic menu items (excluding the items related to the digital hours meter) are listed in the following table.

In the “Settings” column of the table, the factory default settings are indicated by an enclosing box.

Basic Menu

Items in the basic menu

Item number	Item name	Settings
001	PREROLL TIME	0S...[5S]...30S : Set the preroll time to between 0 and 30 seconds in steps of 1 second. A preroll time of at least 5 seconds is recommended when using this unit for editing.
002 ^{a)}	CHARACTER H-POSITION	Adjust the horizontal screen position (as a hexadecimal value) of the text information output from the VIDEO OUT 3 (SUPER) connector and SDI OUTPUT 3 (SUPER) connector for superimposed display on the monitor. 00...[0A]...2A (DSR-2000) /00...[09]...29 (DSR-2000P) : The hexadecimal value 00 is for the far left of the screen. Increasing the value moves the position of the characters to the right.
003 ^{a)}	CHARACTER V-POSITION	Adjust the vertical screen position (as a hexadecimal value) of the text information output from the VIDEO OUT 3 (SUPER) connector and SDI OUTPUT 3 (SUPER) connector for superimposed display on the monitor. 00...[2E]...38 (DSR-2000)/00...[37]...43 (DSR-2000P) : The hexadecimal value 00 is for the top of the screen. Increasing the value lowers the position of the characters.
004	SYNCHRONIZE	When editing using this unit as a controller and an external VCR connected to this unit via a 9-pin remote control cable or i. LINK/DV cable, this item determines whether or not to operate the two units in phase synchronization. [ON] : Operate in phase synchronization. [OFF] : Do not operate in phase synchronization.
005	DISPLAY INFORMATION SELECT	Determine the kind of text information to be output from the VIDEO OUT 3 (SUPER) connector and SDI OUTPUT 3 (SUPER) connector when the CHARACTER switch on the subsidiary control panel is set to ON. [T&STA] : Time data and the units status. [T&UB] : Time data and user bit data. (When U-BIT is selected with the COUNTER SEL button, the user bit data and time data arranged in that order are displayed.) [T&CNT] : Time data and counter count. (When COUNTER is selected with the COUNTER SEL button, the counter count and time data arranged in that order are displayed.) [T&T] : Time data and time code (TC or VITC). [TIME] : Timecode (TC or VITC) only. [DATE] : Recording date and time.
006	LOCAL FUNCTION ENABLE	Determine which tape transport control buttons on the control panel are enabled when this unit is controlled from external equipment. [DIS] : All buttons and switches are disabled. [ST&EJ] : Only the STOP button and EJECT button are enabled. [ENA] : All buttons and switches except the RECORDER button and PLAYER button are enabled.
007	TAPE TIMER DISPLAY	Determine whether to display the counter in 12-hour mode or 24-hour mode. [+ -12H] : 12-hour mode [24H] : 24-hour mode
008	MONITORING SELECTION FOR VTR-TO-VTR EDIT	For editing with two DSR-2000/2000P units, determine whether the recorder unit is forced into E-E mode when the recorder PLAYER button is pressed to view the player playback signals on the monitor. [MANU] : Do not force the recorder into E-E mode. [AUTO] : Force the recorder into E-E mode.
009 ^{a)}	CHARACTER TYPE	Determine the type of characters such as time code output from the VIDEO OUT 3 (SUPER) connector and SDI OUTPUT 3 (SUPER) connector for superimposed display on the monitor. [WHITE] : White letters on a black background. [BLACK] : Black letters on a white background. [W/OUT] : White letters with black outline. [B/OUT] : Black letters with white outline.

a) When setting items 002, 003, and 009, watch the monitor screen, and adjust to the required state.

(Continued)

Items in the basic menu (continued)

Item number	Item name	Item name
011 ^{a)}	CHARACTER V-SIZE	Determine the vertical size of characters such as time code output from the VIDEO OUT 3 (SUPER) connector and SDI OUTPUT 3 (SUPER) connector for superimposed display on the monitor. <input type="checkbox"/> 1: Standard size <input type="checkbox"/> 2: 2 times standard size
015 ^{a)}	MENU DISPLAY	Determine the type of characters in menu text output from the VIDEO OUT 3 (SUPER) connector and SDI OUTPUT 3 (SUPER) connector for superimposed display on the monitor. WHITE : White letters on a black background. BLACK : Black letters on a white background. W/OUT : White letters with black outline. B/OUT : Black letters with white outline.
016	ALARM	Select whether or not to display alarm messages. OFF : No alarm messages. LIMIT : Display alarm messages only during recording or editing. ON : Display alarm messages.
099	MENU GRADE	For setup menu operations, select whether to display the basic menu information only or both the basic menu information and the extended menu information. BASIC : Display the basic menu information only. ENHAN : Display both the basic menu information and the extended menu information.

a) When setting items 011 and 015, watch the monitor screen, and adjust to the required state.

Item number	Item name	Item name
B01	RECALL BANK 1	Set to ON to recall menu settings from menu bank 1.
B02	RECALL BANK 2	Set to ON to recall menu settings from menu bank 2.
B03	RECALL BANK 3	Set to ON to recall menu settings from menu bank 3.
B04	RECALL BANK 4	Set to ON to recall menu settings from menu bank 4.
B11	SAVE BANK 1	Set to ON to save current menu settings to menu bank 1.
B12	SAVE BANK 2	Set to ON to save current menu settings to menu bank 2.
B13	SAVE BANK 3	Set to ON to save current menu settings to menu bank 3.
B14	SAVE BANK 4	Set to ON to save current menu settings to menu bank 4.

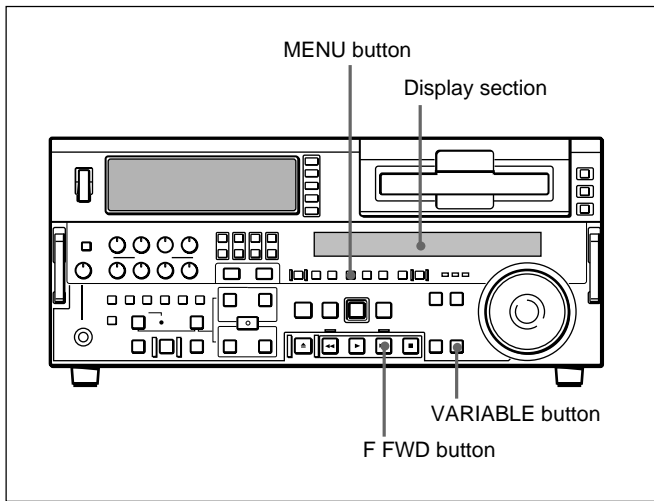
Basic Menu

Basic Menu Operations

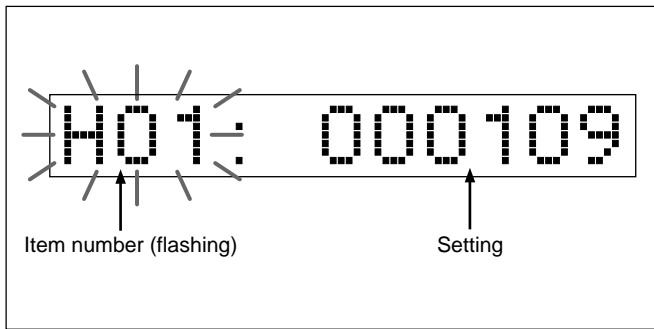
This section describes the basic menu display and how to change the settings.

For information about how to use items B01 to B14, see the section "Menu bank operations (menu items B01 to B14)" (page 112).

Displaying the menu

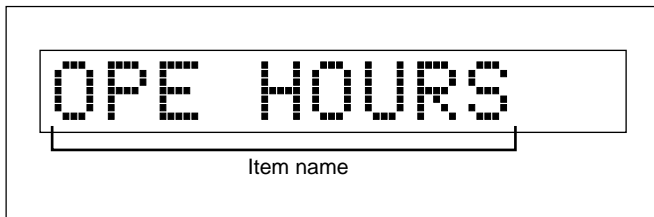


Press the MENU button.
The F FWD button and VARIABLE button light and the setting of the currently selected menu item appears in the display section of the lower control panel.



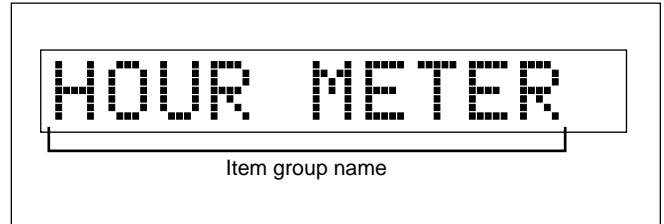
To display the full item name

Hold down the F FWD button.



To display the item group name

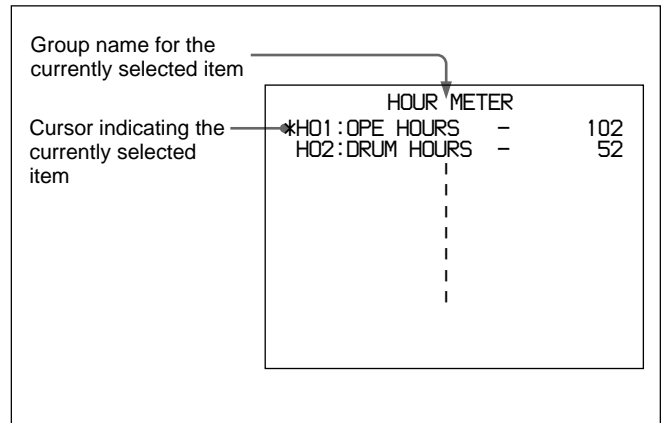
Items in the menu are arranged in groups, by the 100's digit of the item number. To display the name of the group to which the currently selected item belongs, hold down the VARIABLE button.



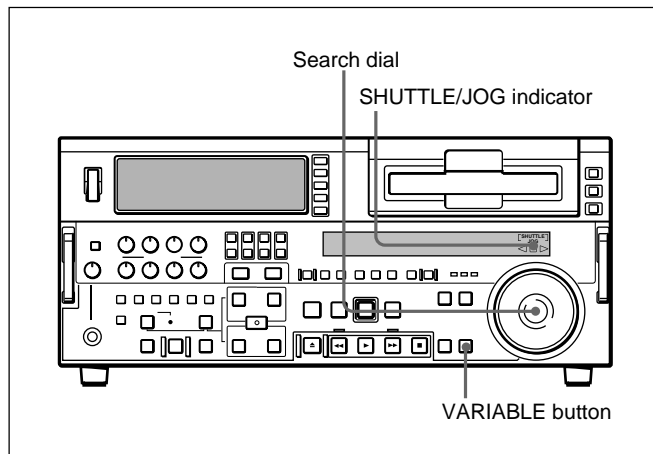
To display menus on the monitor

Set the CHARACTER switch on the subsidiary control panel to ON, then press the MENU button.

You can now view the menu as shown in the following figure on a monitor connected to the VIDEO OUT 3 (SUPER) connector or SDI OUTPUT 3 (SUPER) connector.



Changing the currently displayed menu item



Turn the search dial.

Turning the search dial in the forward direction increments the item number, and turning it in the reverse direction decrements the item number.

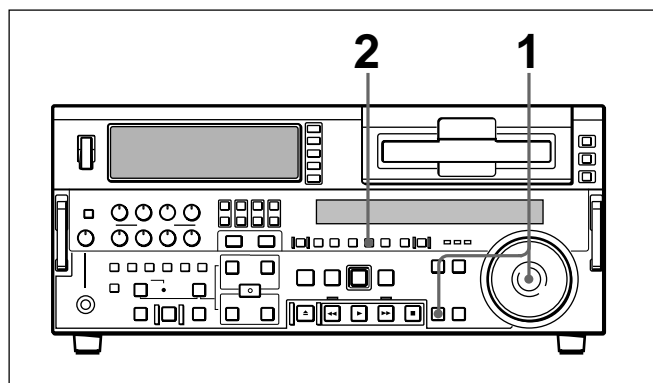
When you turn the search dial, the item number changes at a rate depending on the search dial position (when the SHUTTLE indicator is lit) or on the search dial rotation rate (when the JOG indicator is lit).

To skip from one item group to the next

Hold down the VARIABLE button, and turn the search dial.

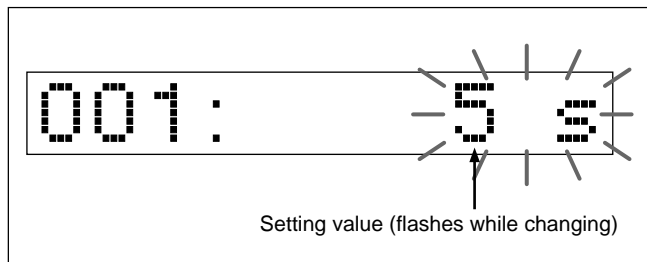
Changing a menu item setting value

To change the setting value of the currently displayed menu item, use the following procedure.



- 1 Hold down the SEARCH button, and turn the search dial.

The setting value changes at a rate depending on the search dial position (when the SHUTTLE indicator is lit) or on the search dial rotation rate (when the JOG indicator is lit).



- 2 When the desired setting value is displayed, press the SET button.

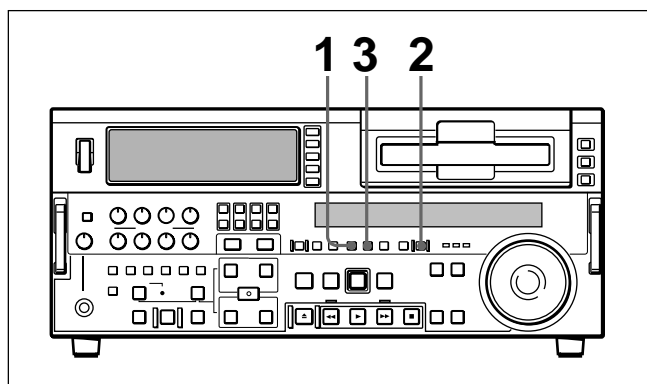
This saves the new setting value, and the menu display disappears from the display section.

To abandon making a change

Press the MENU button before pressing the SET button.

The menu display disappears from the display section without the new setting value being saved.

Resetting the menu settings to their factory default values



- 1 Press the MENU button.

The menu appears in the display section.

- 2 Press the RESET button.

- 3 Press the SET button.

The menu settings are reset to their factory default settings.

Basic Menu

Menu bank operations (menu items B01 to B14)

This unit allows four different complete sets of menu settings to be saved in what are termed "menu banks" numbered 1 to 4. Saved sets of menu settings can be recalled for use as required.

To jump to menu item B01

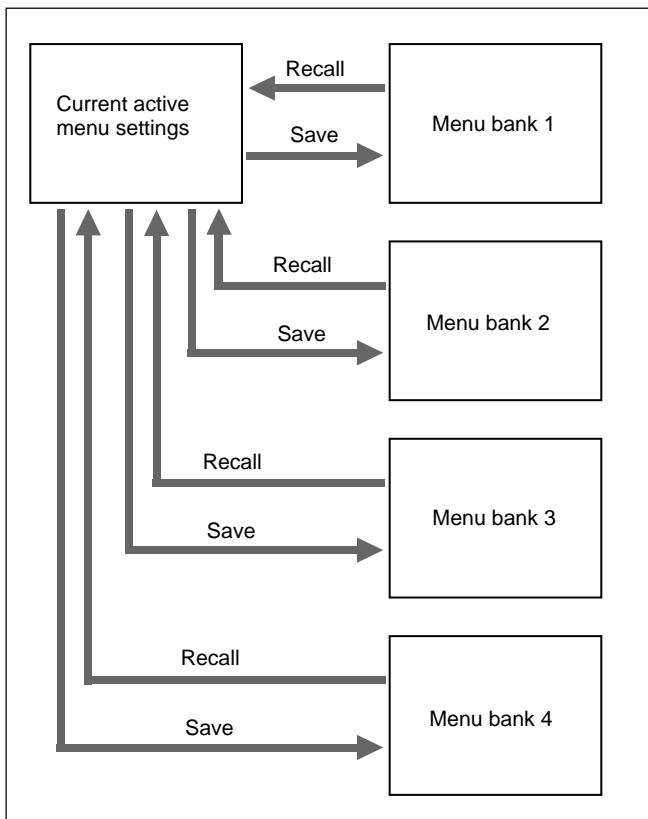
You can recall any required menu by turning the search dial after pressing the MENU button. If you press the MENU button first, then the COUNTER SEL button, you can jump directly to menu item B01 or H01. The recalled menu item toggles between B01 and H01 every time you press the COUNTER SEL button.

Saving the current active menu settings

Set one of menu items B11 SAVE BANK 1 to B14 SAVE BANK 4 to ON, depending on which of the menu banks you wish to save in, then press the SET button.

Recalling settings from a menu bank

Set one of menu items B01 RECALL BANK 1 to B04 RECALL BANK 4 to ON, depending on which of the menu banks you wish to recall from, then press the SET button.



Extended Menu

Items in the Extended Menu

The extended menu contains the following items.
In the Settings column of the table, the factory default settings are indicated by an enclosing box.

Menu items in the 100s, relating to the control panels

Item number	Item name	Settings
101	SELECTION FOR SEARCH DIAL ENABLE	Select how the unit enters the search mode. DIAL : Press the SEARCH or VARIABLE button or, except during recording/editing, turn the search dial. KEY : Press the SEARCH or VARIABLE button.
102	MAXIMUM TAPE SPEED	Specify the maximum tape speed in search mode (shuttle) or F.FWD (fast forward)/REW (rewind) mode.
	Sub-item	
	1 SHUTTLE	Specify the maximum tape speed in search mode (shuttle). X16 : Maximum 16 times normal X32 : Maximum 32 times normal X60 : Maximum 60 times normal
2	F.FWD/REW	Specify the maximum tape speed in F.FWD/REW mode. X32 : Maximum 32 times normal X60 : Maximum 60 times normal X85 : Maximum 85 times normal MAX : No maximum tape speed is specified. Note When this item is set to MAX, the playback video signal is muted.
105	REFERENCE SYSTEM ALARM	Select whether or not to display a warning when the reference video signal is not supplied or is out of phase with the input video signal. OFF : No warning. LIMIT : Flash the STOP button as a warning only when the reference video signal is out of phase with the input video signal. ON : Flash the STOP button as a warning.
107	REC INHIBIT LAMP FLASHING	Select whether or not to flash the REC INHIBIT indicator when recording is prevented with the REC INHIBIT switch on the subsidiary control panel set to OFF. OFF : Light the REC INHI indicator. ON : Flash the REC INHI indicator.
108	AUTO EE SELECT	When a cassette is inserted and the PB/EE button is lit, select the operation modes in which input video and audio signals are automatically handled in E-E mode. S/F/R : In STOP/F FWD (fast-forward)/REW (rewind) modes STOP : In STOP mode
109	FORCED EE WHEN TAPE UNTHREAD	During tape threading and unthreading, or when no cassette is inserted, select whether the PB/EE button controls the output signal PB/EE setting. ON : No control (the signal is always an E-E signal). OFF : Control.

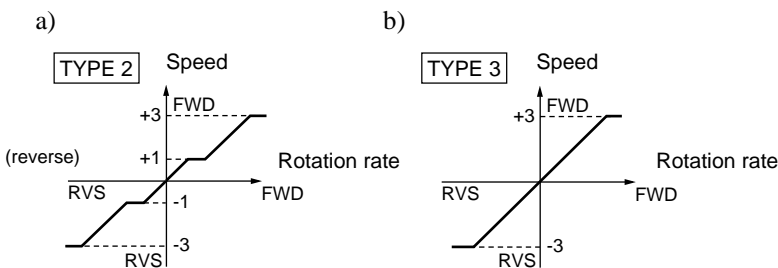
(Continued)

Extended Menu

Menu items in the 100s, relating to the control panels (continued)

Item number	Item name	Settings
116	JOG DIAL RESPONSE	Select the tape speed characteristics for the search dial rotation rate in jog mode. TYPE1 : Tape speed varies linearly over the range -1 to $+1$. TYPE2 : Tape speed varies stepwise as shown in the figure below ^{a)} over the range -3 to $+3$. (Characterized by a zone around -1 and $+1$ where the tape speed is independent of the rotation rate) TYPE3 : Tape speed varies linearly over the range -3 to $+3$, as shown in the figure below ^{b)} .
117	CONTROL PANEL SELECTION	Select the control panel function when the CONTROL PANEL switch on the subsidiary control panel is set to EXT. SW : Only the control panel connected to the CONTROL PANEL control connector on the connector panel functions. PARA : Both the control panel connected to the CONTROL PANEL connector and the control panel of this unit function.
118	KEY INHIBIT SWITCH EFFECTIVE AREA	Select which switches and buttons can be operated when the KEY INHIBIT switch on the subsidiary control panel is set to ON. The following sub-items control different sets of switches and buttons independently.
	Sub-item	
	1 REMOTE SELECT	Select whether the REMOTE button on the upper control panel is enabled. DIS : Disabled. ENA : Enabled.
	2 MON./ INPUT SEL	Select whether the buttons in the input selection section on the upper control panel and the MONITOR SELECT buttons on the lower control panel are enabled. DIS : Disabled. ENA : Enabled.
	3 CONTROL PANEL	Select which switches and buttons on the control panel of this unit as well as the external control panel connected to this unit are enabled. DIS : All switches and buttons are disabled. EDIT : All switches and buttons for editing operations are disabled. ENA : All switches and buttons are enabled.
119	VARIABLE SPEED LIMIT IN KEY PANEL CONTROL	Select the playback speed range when carrying out playback in variable mode from the control panel of this unit. OFF : -1 to $+2$ times normal speed ON : 0 to $+1$ times normal speed.
125	AUTO REW	Select whether to rewind the tape automatically when recording or playback reaches the end of a tape. DIS : Do not rewind the tape automatically. ENA : Rewind the tape automatically.

(Continued)



Menu items in the 100s, relating to the control panels (continued)

Item number	Item name	Settings
129	CLIPLINK	<p>Select whether to create ClipLink log data.</p> <p>OFF: Do not create.</p> <p>ON: Create.</p> <p>When recording, the recording starting point is made a Mark IN point and the recording ending point is made a Mark OUT point. When editing, the edit IN point (the video IN point or audio IN point whichever coming first) is made a Mark IN point and the edit OUT point (the video OUT point or audio OUT point whichever coming second) is made a Mark OUT point.</p> <p>Note If recording or editing is carried out when this item is set to OFF, the existing ClipLink log data is erased.</p>
130	DISPLAY DIMMER CONTROL	<p>Set the brightness of the audio level meters.</p> <p>0 ... [1] ... 6 : Set in this range. 0 is the brightest, and 6 the dimmest.</p>

Menu items in the 200s, relating to the remote control interface

Item number	Item name	Settings
201	PARA RUN	<p>Select whether or not to use synchronized operation for two or more VCRs.</p> <p>DIS: No synchronized operation.</p> <p>ENA: Use synchronized operation.</p> <p>Note To use synchronized operation for two or more VCRs, set this item to ENA on all of the VCRs.</p>

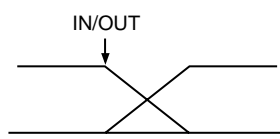
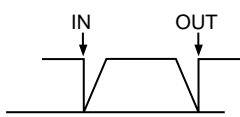
Menu items in the 300s, relating to editing operations

Item number	Item name	Settings
301	VAR SPEED RANGE FOR SYNCHRONIZATION	<p>Select the playback speed range when carrying out playback in variable mode from a remote control unit connected to the REMOTE-IN connector or REMOTE-OUT connector.</p> <p>-1 ~ +1: -1 ~ +1 times normal speed.</p> <p>-1.5 ~ +2: -1.5 ~ +2 times normal speed</p>
305	SYNC GRADE	<p>When editing in phase-synchronized mode with item 004 set to ON, select the target phase synchronization accuracy.</p> <p>ACCUR: ±0 frame accuracy.</p> <p>ROUGH: ±1 frame accuracy.</p>
306	DMC INITIAL SPEED	<p>Select the initial speed automatically set when carrying out DMC editing.</p> <p>MANUAL: The speed determined by the rotation of the search dial.</p> <p>PLAY: Normal playback speed.</p> <p>STILL: Stationary.</p> <p>±0.03 ~ ±1: Speed set in the range ±0.03 to ±1 (select from ±1, ±0.5, ±0.03, ±0.2, ±0.1.)</p>

(Continued)

Extended Menu

Menu items in the 300s, relating to editing operations (continued)

Item number	Item name	Settings
307	AUTO-DELETION FOR INCONSISTENT DATA	<p>Select what happens when an erroneous edit point is set.</p> <p>MANU: A warning is given by flashing the DELETE button on the control panel. The operator must manually delete the unnecessary edit point .</p> <p>NEG&E: When inconsistent edit points are set, such as when an OUT point is before an IN point, or an audio OUT point is before an audio IN point, or when too many edit points are specified, the previously set edit point is deleted.</p> <p>NEG: When inconsistent edit points are set, such as when an OUT point is before an IN point, or an audio OUT point is before an audio IN point, the previously set edit point is deleted. When too many edit points are specified, the DELETE button on the control panel flashes to give a warning.</p> <p>Note</p> <p>Pressing the button corresponding to an edit point to be deleted and the DELETE button simultaneously deletes the edit point. If an erroneous edit point is set (the DELETE button is flashing), editing is not executed.</p>
308	SELECTION OF STD/NON-STD FOR ANALOG VIDEO IN	<p>Select the STD or NON-STD mode in accordance with a composite video or S-video input.</p> <p>STD: The STD mode is always used (forced STD mode).</p> <p>N-STD: Use this setting when the input video signal is unstable (forced NON-STD mode).</p> <p>When using a VCR with no built-in time base corrector (e.g. a home-use VHS-system VCR), select N-STD.</p>
311	ANALOG AUDIO EDIT PRESET REPLACE FOR CH1	Items 311 to 314: When using an editor (PVE-500, BVE-600, etc.) or a remote controller which cannot control digital audio edit preset, select how to activate edit preset of each digital audio channel on this unit using the analog audio editor preset function of the editor or remote controller.
312	ANALOG AUDIO EDIT PRESET REPLACE FOR CH2	<p>Set edit preset of each digital audio channel (channels 1 to 4) of this unit on or off according to the analog audio preset specified by the remote controller or editor.</p> <p>NO DEFINITION</p> <p>ANALOG CH1: Follow edit preset of analog channel 1.</p> <p>ANALOG CH2: Follow edit preset of analog channel 2.</p> <p>ANALOG CH1+CH2: Follow edit preset of analog channel 1 or 2.</p> <p>The default settings for each item are as follows:</p>
313	ANALOG AUDIO EDIT PRESET REPLACE FOR CH3	
314	ANALOG AUDIO EDIT PRESET REPLACE FOR CH4	<p>311: ANALOG CH1</p> <p>312: ANALOG CH2</p> <p>313: NO DEFINITION</p> <p>314: NO DEFINITION</p>
317	AUDIO EDIT MODE	<p>Specify the type of editing for audio signals.</p> <p>CUT: Cut editing (discontinuity in audio signal may result at the editing point, causing noise during playback.)</p> <p>CROSS FADE: Cross-fade</p>  <p>FADE: Fade in and fade out</p> 

(Continued)

Menu items in the 300s, relating to editing operations (continued)

Item number	Item name	Settings
318	EDIT RETRY	When editing with two DSR-2000/2000P units, select the operation if the recorder was not synchronized in time. (Make this setting on the recorder.) OFF : Editing is not carried out, and the unit stops. ON : The editing is automatically retried (up to twice).
319	PREREAD SELECT	Specify the preread editing operation. A/V : Preread for both audio and video. AUDIO : Preread for audio only. VIDEO : Preread for video only. The preread operation can be controlled with the PREREAD button on the control panel or from the 9-pin remote control interface.
326	AUTOMATIC IN ENTRY AFTER AUTO EDIT	Select whether or not to automatically set the OUT point of the previous edit as the next IN point at the end of an automatic edit. OFF : No automatic setting. R : Set recorder IN point automatically. R & P : Set recorder IN point automatically, and also player IN point in two-VCR editing.
327	AUDIO MODE CHANGE	Select whether to allow audio data recorded on tape in two-channel mode (or four-channel) to be re-recorded in four-channel (or two-channel mode). OFF : Do not allow re-recording in a different audio mode. ON : Allow re-recording in a different audio mode.

Menu items in the 400s, relating to preroll

Item number	Item name	Settings
401	FUNCTION MODE AFTER CUE-UP	Select the state that the unit goes into after a cuing-up operation. STOP : Stops (the STOP mode). STILL : Still playback (in search mode). Note When controlling this unit from the BVE-800 editor, set this item to STOP.
403	AUTOMATIC PREROLL REFERENCE ENTRY	Select whether or not the edit IN point is automatically set by pressing the PREROLL button when the IN point is not set before starting preroll. DIS : IN point is not set automatically. ENA : IN point is set automatically.

Extended Menu

Menu items in the 500s, relating to tape protection

Item number	Item name	Settings
501	STILL TIMER	Select the time delay from the tape transport stopping (either the "STOP" mode" or the still playback mode in search mode) until the unit automatically switches to the tape protection mode, in order to protect the rotary heads and the tape. 0.5S...8M...30M : Set the value in the range 0.5 seconds to 30 minutes.
502	TAPE PROTECTION MODE FROM SEARCH	Select the operation of the protection mode to protect the rotary heads and tape when in the still playback mode in search (jog/shuttle) mode. STEP : Step forward at $\frac{1}{30}$ normal speed every 2 seconds. STDBY : Switch to Standby OFF mode (the unit not on standby).

Menu items in the 600s, relating to the time code generator

Item number	Item name	Settings
601	VITC POSITION SEL-1	For DSR-2000 Select a line to insert the VITC in. 12H ... 16H ... 20H : Select any line from 12 to 20. Note You can insert the VITC signal in two places. To insert it in two places, set both items 601 and 602. For DSR-2000P Select a line to insert the VITC in. 9H ... 19H ... 22H : Select any line from 9 to 22. Note You can insert the VITC signal in two places. To insert it in two places, set both items 601 and 602.
602	VITC POSITION SEL-2	For DSR-2000 Select a line to insert the VITC in. 12H ... 18H ... 20H : Select any line from 12 to 20. Note You can insert the VITC signal in two places. To insert it in two places, set both items 601 and 602. For DSR-2000P Select a line to insert the VITC in. 9H ... 21H ... 22H : Select any line from 9 to 22. Note You can insert the VITC signal in two places. To insert it in two places, set both items 601 and 602.

Menu items in the 600s, relating to the time code generator

Item number	Item name	Settings
605	TCG REGEN MODE	<p>Select the signal to be regenerated when the time code generator is in the regeneration mode (i.e., when the PRESET/REGEN switch on the subsidiary control panel is set to REGEN, or the unit is in automatic edit mode).</p> <p>TC&UB: Both the time code and user bits are regenerated. TC: Only the time code is regenerated. UB: Only the user bits are regenerated.</p>
607	U-BIT BINARY GROUP FLAG	<p>Select the user bits to be used in the time code generated by the time code generator.</p> <p>000: Character set not specified. 001: 8-bit characters compliant with ISO 646 and ISO 2022. 010: Undefined. 011: Undefined. 100: Undefined. 101: SMPTE 262M page/line multiplex system. 110: Undefined. 111: Undefined.</p>
610	REGEN CONTROL MODE	<p>When editing with two DSR-2000/2000P units, if you use the control panel for editing operation, select whether or not the time code is automatically regenerated.</p> <p>AS&IN: In editing with this unit as the recorder, regardless of the setting of the INT/EXT-PRESET/REGEN switch, in assemble and insert editing, the time code generator regenerates according to the time code on the tape. ASSEM: In editing with this unit as the recorder, regardless of the setting of the INT/EXT-PRESET/REGEN switch, in assemble editing only, the time code generator regenerates according to the time code on the tape. MANU: Regardless of whether this unit is the recorder or player, the time code generator operates in accordance with the PRESET/REGEN setting of the INT/EXT-PRESET/REGEN switch. FULL: Regardless of the REMOTE button setting, when any of the ASSEMBLE, VIDEO, CH-1 to CH-4 and TC buttons is lit, the time code generator regenerates according to the time code played back from the tape.</p>
611	TC OUTPUT PHASE IN EE MODE	<p>Select the time code output mode for output from the TIME CODE OUT connector in E-E mode.</p> <p>MUTE: Mute the output. THRU: Output the time code input to the TIME CODE IN connector as it is. V-IN: Output the time code with the same phase as the input video signal phase. V-OUT: Output the time code with the same phase as the output video signal phase.</p>
612	TC OUTPUT MUTE IN SEARCH MODE	<p>Select whether to mute the output from the TIME CODE OUT connector in search (jog/shuttle) mode.</p> <p>ON: Mute. OFF: Do not mute.</p>
613	VITC OUTPUT	<p>Select the time code to be output as VITC.</p> <p>OFF: Do not output VITC. TC: Output TC after converting it into VITC. VITC: Output VITC.</p>

Extended Menu

Menu items in the 700s, relating to video control

Item number	Item name	Settings
701	SELECTION OF VIDEO/SYNC DELAY	An E-E video signal is output delayed with respect to the video input signal by the time for video circuit processing. With this item, select whether or not to delay the sync signal attached to the output video signal by an amount corresponding to the video signal delay. SYNC : Delay the sync signal by the corresponding amount before attaching it. VIDEO : Attach a sync signal with the same timing as the input signal.
705	EDGE SUBCARRIER REDUCER MODE	Select whether to enable the edge subcarrier reducer (ESR). ON : Enable. OFF : Do not enable. When playing back a composite signal, set this to ON.
708	CHROMA PHASE ROTATION MODE	Select the phase rotation mode for chroma phase control. The effect of this setting applies to the output levels of all of the composite video, S video, SDI and component video signals. U/V : Select this setting when observing the unit's composite video output level using a composite vectorscope. PB/PR : Select this setting when observing the unit's component video output level using a component vectorscope.
710	INTERNAL VIDEO SIGNAL GENERATOR	Select the test signal to be output from the internal test signal generator. When SG is selected using the VIDEO IN button, the internal test signal generator operates to output the selected test signal. This signal can also be recorded. CB100 (for DSR-2000P) : 100% color bar signal CB75 (for DSR-2000) : 75% color bar signal BB : Black burst signal
713	VIDEO SETUP REFERENCE (DSR-2000 only)	Select whether to remove the setup (7.5%) from the input analog video signals and whether to add the setup (7.5%) to the output analog video signals.
	Sub-item	
	1 INPUT LEVEL	Whether to remove the setup from the input. 0.0% : Do not remove. 7.5% : Remove.
	2 OUT PUT LEVEL	Whether to add the setup to the output. 0.0% : Do not add. 7.5% : Add.
714	VIDEO ADJUST RANGE	Select the variable range of the VIDEO and CHROMA knobs when the PROCESS CONTROL switch on the subsidiary control panel is set to PANEL. -3~+3 : -3 dB to +3 dB WIDE : -∞ to +3 dB

Items 715 to 718 : Settings for controlling the video processing system according to the menu settings.

Item number	Item name	Settings
715	VIDEO GAIN CONTROL	Adjust the video output level. Default value : 00H to 200H to 3FFH
716	CHROMA GAIN CONTROL	Adjust the chroma output level. Default value : 00H to 200H to 3FFH
717	CHROMA PHASE CONTROL	Adjust the chroma phase. Default value : 00H to 80H to FFH
718	SETUP LEVEL (DSR-2000)/BLACK LEVEL (DSR-2000P)	Adjust the setup level (DSR-2000)/black level (DSR-2000P). Default value : 00H to 200H to 3FFH
720	SYSTEM PHASE SC	Adjust the subcarrier phase. Default value : 00H to

Note

When you make settings for items 715 to 720, set the PROCESS CONTROL switch on the subsidiary control panel to MENU. When it is set to MENU, all controls on the subsidiary control panel are disabled.

Menu items in the 700s, relating to video control (continued)

Item number	Item name	Settings
729	CLOSED CAPTION BLANK (DSR-2000 only)	Select whether to mute the closed caption signal to be superimposed on the 1st and 2nd fields of the output video signal.
	Sub-item	
	1 FIELD 1	Select whether to mute the closed caption signal to be superimposed on the 1st field of the output video signal. OFF : Do not mute. ON : Mute.
2 FIELD 2	Select whether to mute the closed caption signal to be superimposed on the 2nd field of the output video signal. OFF : Do not mute. ON : Mute.	

Menu items in the 800s, relating to audio control

Item number	Item name	Settings
801	DIGITAL JOG SOUND	Select whether to adjust the audio playback speed during slow playback. OFF : Do not adjust the audio playback speed. ON : Adjust the audio playback speed.
802	DIGITAL AUDIO MUTE IN SHUTTLE MODE	Set the audio muting conditions during shuttle playback. OFF : Not muted. CUEUP : Muted during cue-up or preroll operations. FULL : Muted in shuttle mode.
807	AUDIO OUTPUT PHASE	Select the output timing of an audio playback signal. The reference position corresponds to a setting of 80H; when the setting is less than 80H, the output timing is advanced, and when it is higher than 80H, the output timing is delayed. (80H = 128 samples = approx. 2.7 ms, 1 sample = approx. 20 µs) 0 ... 80 ... FF : Setting in this range.
808	INTERNAL AUDIO SIGNAL GENERATOR	Select the operation of the internal audio test signal generator. SILNC: Silent signal. 1KHZ : 1-kHz, -20 dB FS sine wave signal. When you select SG as the audio input in the input selection section of the upper control panel, the audio test signal generated by the internal audio test signal generator is input.
811	AUDIO REFERENCE LEVEL	Select the audio reference level (headroom) for recording on tape. -12dB -16dB -18dB (factory default for DSR-2000P) -20dB (factory default for DSR-2000)

(Continued)

Extended Menu

Menu items in the 800s, relating to audio controll (continued)

Item number	Item name	Settings
812	AUDIO OUTPUT LEVEL	Select the analog audio output reference level. +4dB : Set the analog output level of the signal at the reference level to +40 dBm. 0dB : Set the analog output level of the signal at the reference level to 0 dBm. -6dB : Set the analog output level of the signal at the reference level to -6 dBm.
813	PEAK HOLD TIME	Set the peak hold time for the audio level meter in the range of OFF (no peak hold) to 1.5 seconds in 0.1 second steps .
814	OVER RANGE DISPLAY HOLD	Select whether to hold the audio level meter OVER display. OFF : Do not hold. ON : Hold.
818	AUDIO REC MODE	Select the audio recording mode. 2CH : 2ch, 48 kHz mode 4CH : 4ch, 32 kHz mode
819	AUDIO INPUT SOURCE ARRANGE	Select the audio input signals to be mixed when the MIXING button is lit. <i>For details, see the section "Making settings for mixing an audio input signal (extension menu item 819)" (page 123).</i>
820	AUDIO OUTPUT CH3/CH4 SELECT	Select the signals to be output from the AUDIO OUT CH-3 and AUDIO OUT CH-4 connectors. LINE : Output the audio channel-3 and audio channel-4 signals from the AUDIO OUT CH-3 and AUDIO OUT CH-4 connectors as they are. MONI : Output the monitor audio L-channel (CH-1) and monitor audio R-channel (CH-2) signals from the AUDIO OUT CH-3 and AUDIO OUT CH-4 connectors, respectively.
821	AUDIO ATTENUATE WHEN DV TAPE PLAYBACK	When playing back a tape recorded in consumer DV format, select whether to attenuate the audio output level. OFF : Attenuate. ON : Do not attenuate.

Menu items in the 900s, relating to digital process

Item number	Item name	Settings
902	SYSTEM EE MODE	Select the bypass E-E mode or system E-E mode. OFF : Bypass E-E (ordinary setting) ON : System E-E

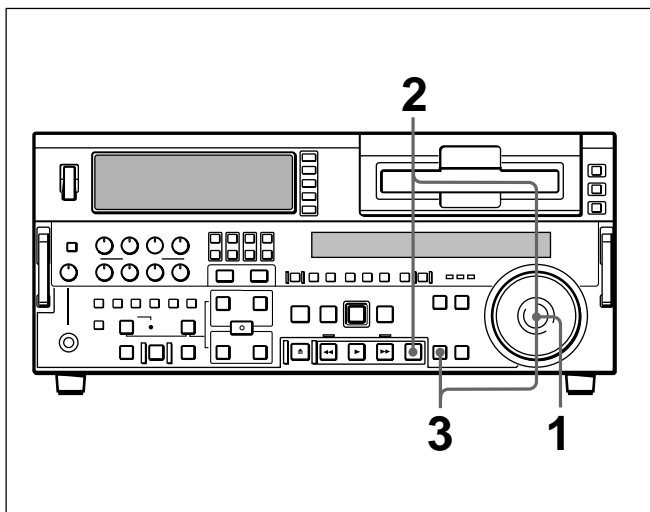
Extended Menu Operations

To use the extended menu, set basic menu item 099 MENU GRADE to ENHAN beforehand.

In the extended menu, you can carry out the same operations as in the basic menu except setting of sub-items.

To set sub-items

Operate as follows.



- 1 Turn the search dial to select the desired menu item.

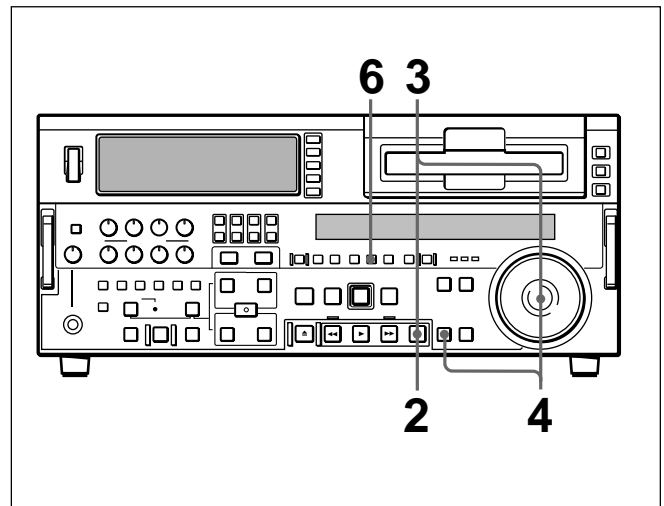
For information about how to select a menu item, see the section "Changing the currently displayed menu item" (page 111).

- 2 Holding down the STOP button, turn the search dial to select the desired sub-item.
- 3 Holding down the SEARCH button, turn the search dial to change the value for the selected sub-item.

Making settings for mixing an audio input signal (extension menu item 819)

Using extension menu item 819, you can mix audio input signals, dub an input audio signal over a channel previously recorded on the tape, or mix an audio input signal with an audio channel recorded on the tape (sound-on-sound).

To carry out the extension menu item 819 settings, use the following procedure.



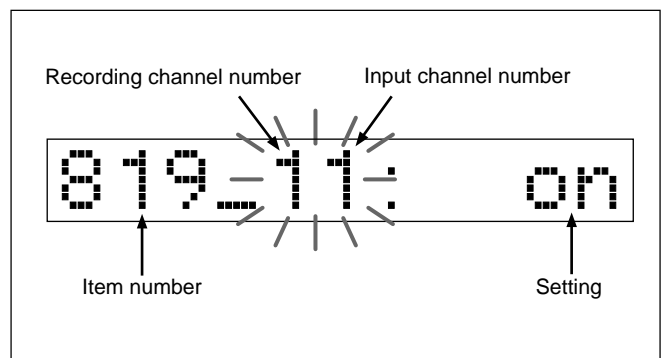
- 1 Select extension menu item 819.

For details of selecting a menu item, see the section, "Changing the currently displayed menu item" (page 111).

- 2 Press the STOP button.

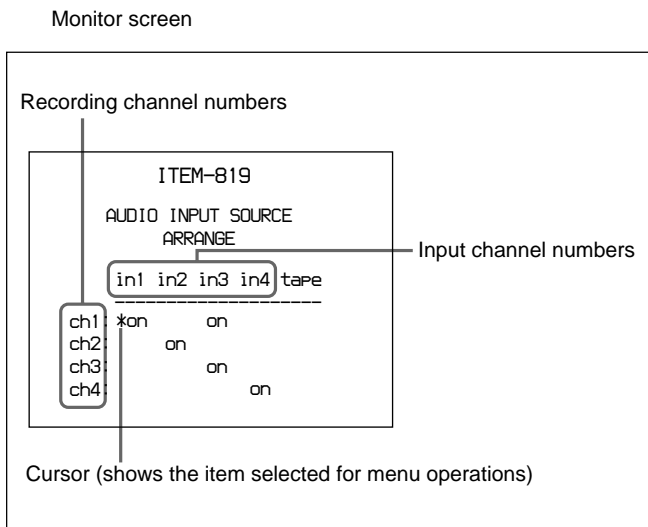
The following displays appear in the display section of the lower control panel and on a monitor connected to this unit.

Display section



(Continued)

Extended Menu



- 3 Holding down the STOP button, turn the search dial to move the cursor to select a combination of input and recording channels.
- 4 Holding down the SEARCH button, turn the search dial to set the channel selection made in step 3 to on or off.

To select an input channel for recording

For the selected recording channel, set the desired input channel to on.

To record, mixing more than one input signal

For the selected recording channel, set two or more of the input channels to on. All of the input channels set to on for each recording channel will be mixed for that channel.

To switch on the sound-on-sound setting

In addition to the selected input channel(s), set “tape” to “on.”

- 5 Repeat steps 3 and 4 for each of the recording channels.
- 6 Press the SET button.
This saves the settings.

To enable the setting of extension menu item 819

Press the MIXING button in the upper control panel, turning it on.

When the MIXING button is off, the settings of extension menu item 819 are ignored, and the input channels and recording channels are recorded one-to-one. It is not possible to carry out mixing or channel switching.

Note

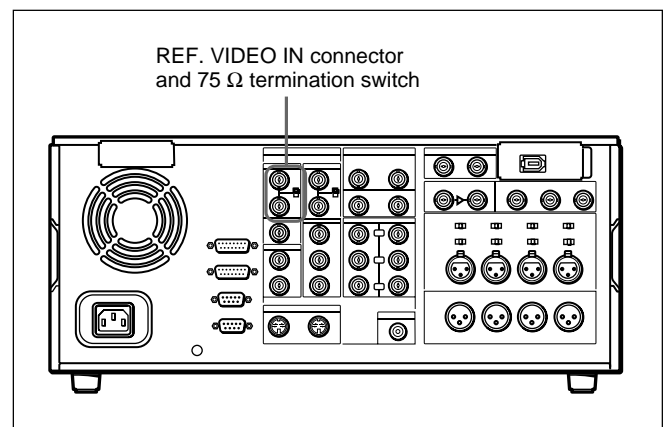
When 2-channel mode (2CH) is selected for audio recording (*see extended menu item 818*), the settings made with this item for input channels 3 and 4 (in3 and in4) as well as recording channels 3 and 4 (ch3 and ch4) are invalid.

For example, when input channels 1 and 3 (in1 and in3) are set to on for recording channel 1 (ch1), in 2CH mode, only the signal from input channel 1 is recorded on recording channel 1.

Connections and Settings

Reference Video Signals for Analog Signal Editing

In order to provide stable video and audio signals for analog editing, it is necessary to input a reference video signal synchronized with the video signal to the REF. VIDEO IN connector and set the REF. VIDEO IN 75 Ω termination switch to ON.

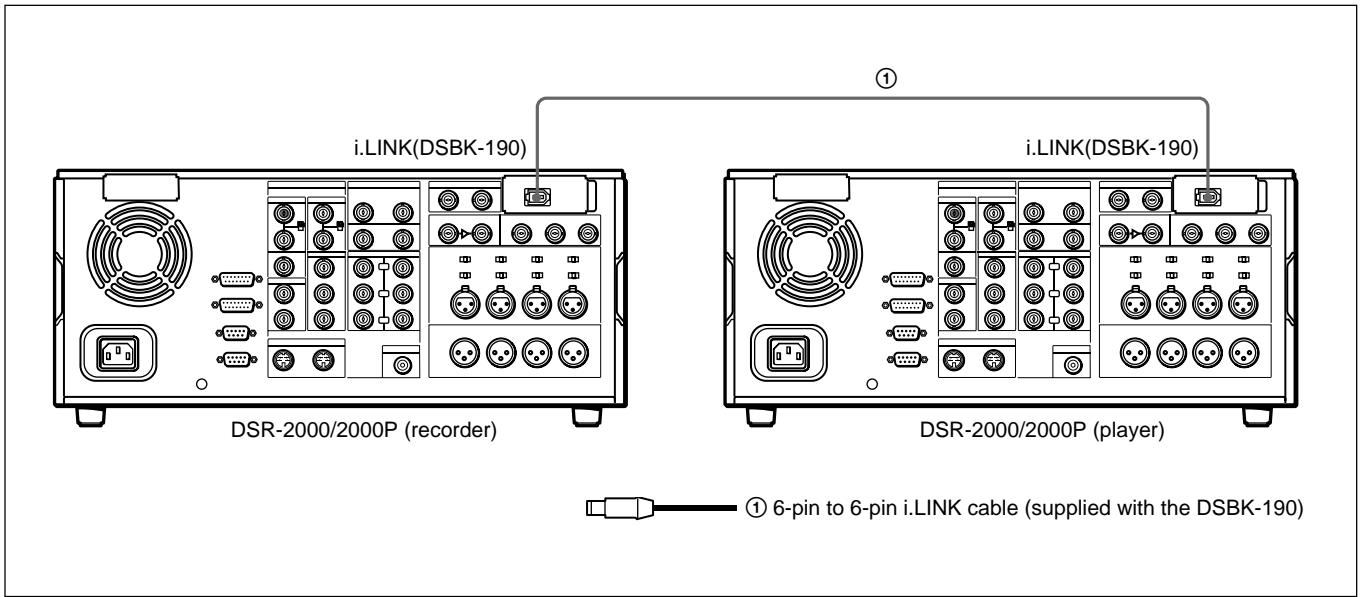


Connections for Cut Editing Using i.LINK Interface (Optional DSBK-190 Required)

Using two DSR-2000/2000P units, each fitted with the optional DSBK-190 board, as a pair of player and recorder, you can configure a cut editing system. You can use the same system also to digitally dub signals in DVCAM format through an i.LINK interface (see page 61).

It is also possible to use an i.LINK-compatible camcorder such as the DSR-500WS/500WSP as the player and carry out cut editing.

Connections for Cut Editing Using i.LINK Interface (Optional DSBK-190 Required)



DSR-2000/2000P (recorder and player) settings

Control	Setting (recorder)	Setting (player)
REMOTE button	Unlit	Lit
i.LINK button	Lit	Lit
SDTI/i.LINK button (input selection section)	i.LINK	i.LINK



Connections for Digital Nonlinear Editing Using SDTI (QSDI) Interface

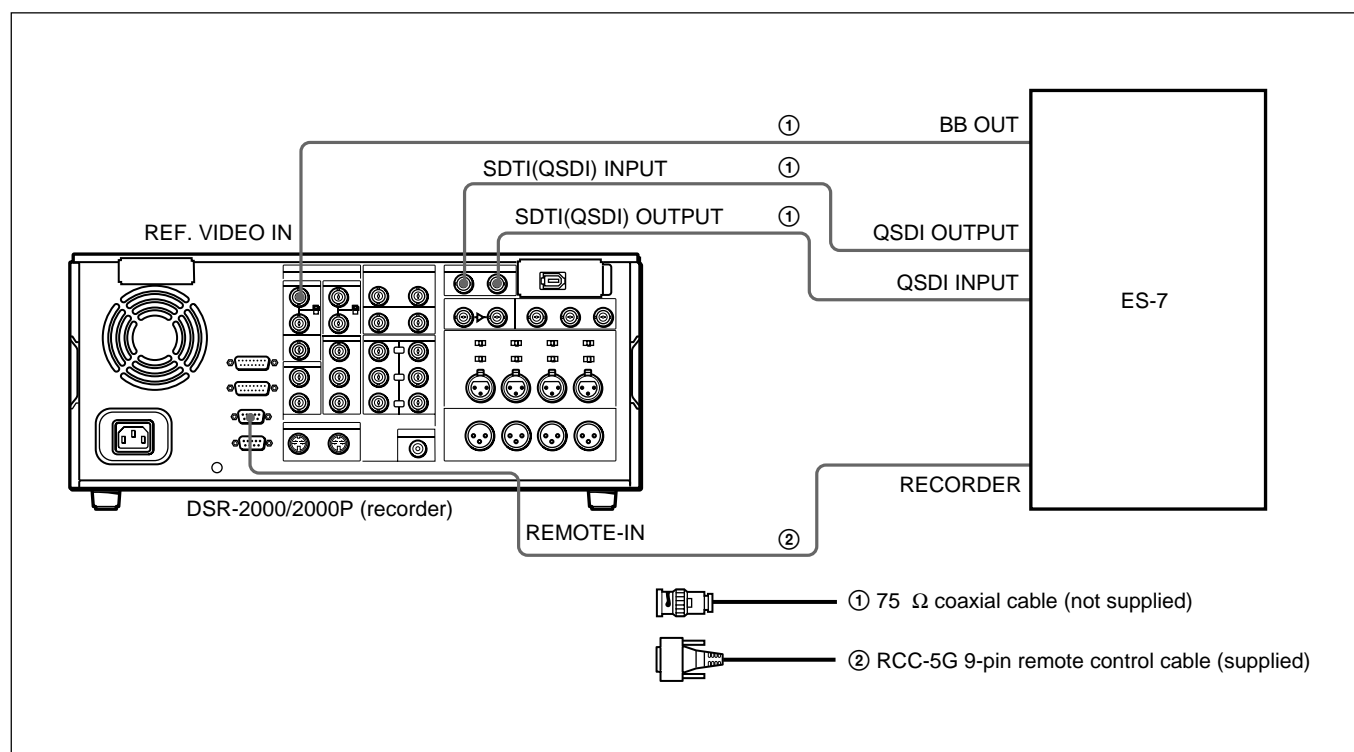
This unit can be connected to an ES-7 EditStation to configure a digital non-linear editing system. Using the SDTI (QSDI) interface, you can transfer video, audio, timecode, and other compressed data between this unit and the EditStation.

The unit supports ClipLink functions, enabling index pictures recorded on tape and ClipLink log data stored in cassette memory to be transferred to the EditStation in an instant.

For an overview of the ClipLink function, see the appendix "ClipLink Guide" (page 147).

The following is a connection diagram for digital non-linear editing system in which this unit serves as the recorder.

For connections of the EditStation's peripheral devices (the control panel, the disk unit, etc.) and the player, refer to your ES-7 Operating Instructions.

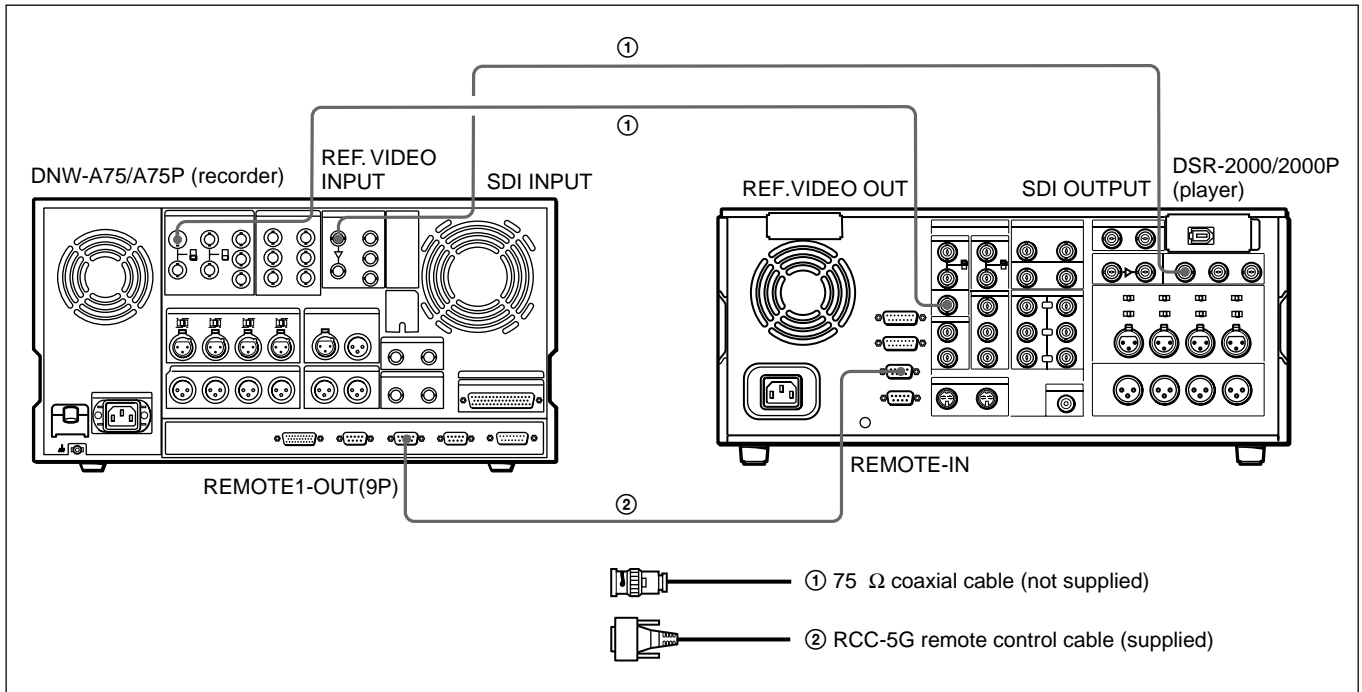


DSR-2000/2000P (recorder) settings

Control	Setting
REMOTE button	Lit
9PIN button	Lit
SDTI/i.LINK button (input selection section)	SDTI
REF.VIDEO IN 75Ω termination switch	ON

Connections for Cut Editing Using SDI Interface

For a cut editing system using this unit together with a DNW-A75/A75P Betacam SX VCR using an SDI connection, the following figure shows an example of the connections. In this example, the DNW-A75/A75P is used as the recorder and this unit is used as the player.



DNW-A75/A75P (recorder) settings

Control	Setting
RREMOTE/LOCAL switch	Local

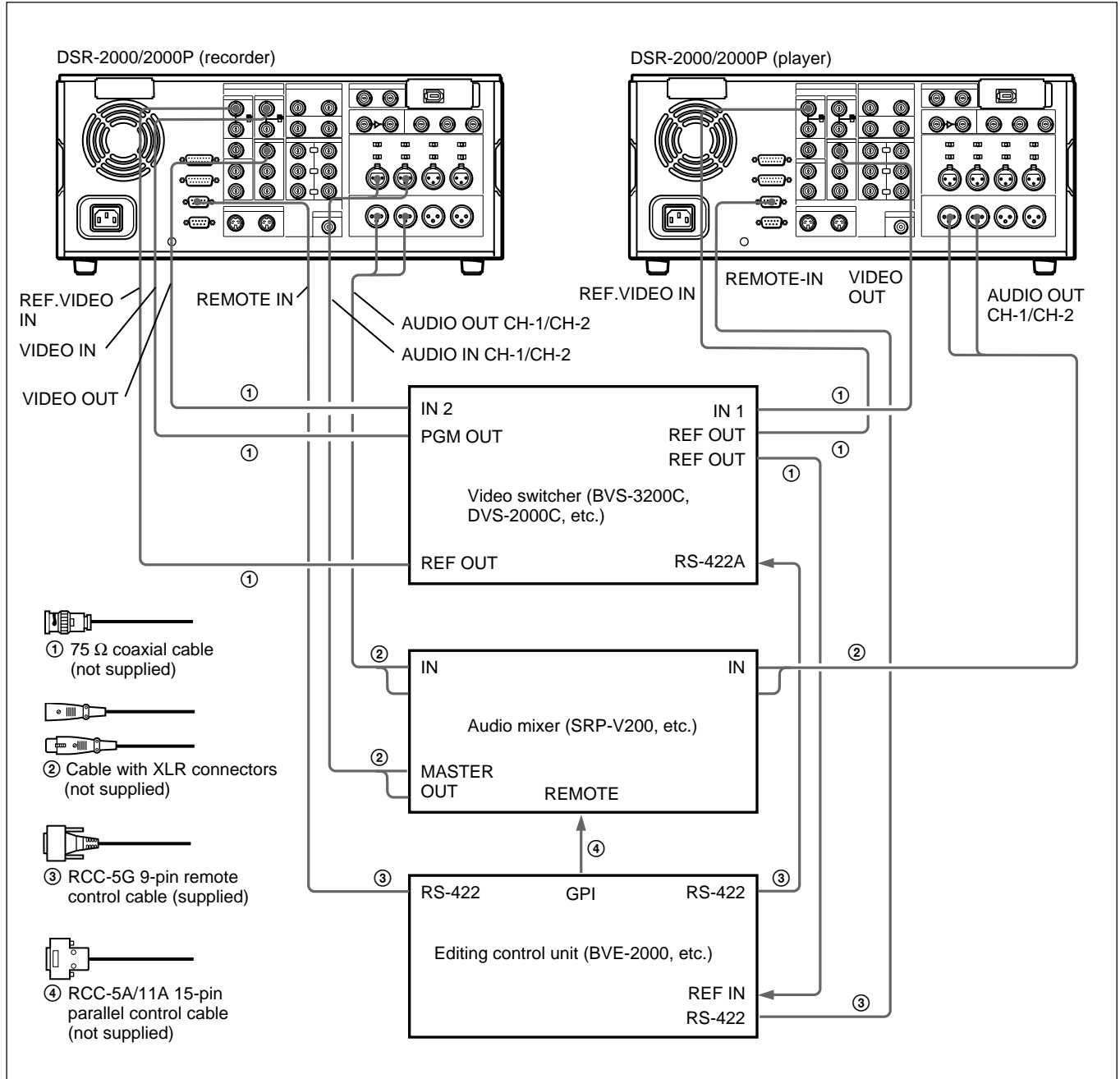
DSR-2000/2000P (player) settings

Control	Setting
REMOTE button	Lit
9PIN button	Lit
REF.VIDEO IN 75Ω termination switch	ON



Connections for Preread Editing

For a preread editing system using two DSR-2000/2000P units together with a video switcher, audio switcher and editing control unit, the following figure shows an example of connections.



DSR-2000/2000P (recorder and player) settings

Control	Setting
REMOTE button	Lit
9PIN button	Lit

Settings Required When Connecting an External Editing Control Unit

When connecting an external editing control unit to this unit and using this unit as a recorder, make the following timecode settings on this unit and VCR constant and DIP switch settings on the editing control unit.

Timecode Settings on This Unit

Make the following time code settings for this unit.

Control	Setting
INT/EXT-PRESET/REGEN switch	INT-PRESET (right position)
FREE RUN/REC RUN switch	FREE RUNswitch

Settings on Editing Control Units

Make the following settings according to the editor model.

For FXE-100/120 (NTSC)

Set the VCR constants as follows.

Byte No.	1	2	3	4	5	6	7	8	9	10	11	12	13	14	15
Setting	80	14	00	96	05	05	03	80	0A	08	FE	00	80	5A	FF

For FXE-100P/120P (PAL)

Set the VCR constants as follows.

Byte No.	1	2	3	4	5	6	7	8	9	10	11	12	13	14	15
Setting	81	14	00	7D	05	05	02	80	0A	07	FE	00	80	4C	FF

For BVE-910/2000

Set the VCR constants as follows.

- When using the DSR-2000 (NTSC)

Byte No.	Block 1								Block 2						
	1	2	3	4	5	6	7	8	9	10	11	12	13	14	15
Setting	80	14	00	96	05	05	03	80	0A	08	FE	00	80	5A	FF

- When using the DSR-2000P (PAL)

Byte No.	Block 1								Block 2						
	1	2	3	4	5	6	7	8	9	10	11	12	13	14	15
Setting	81	14	00	7D	05	05	02	80	0A	07	FE	00	80	4C	FF

For RM-450 (NTSC)

Set the VCR constants as follows.

- Left DIP switch

Switch No.	7	6	5	4	3	2	1	0
Setting	OFF	—	—	OFF	—	—	—	—

- Right DIP switch

Switch No.	7	6	5	4	3	2	1	0
Setting	OFF	—	OFF	ON	OFF	OFF	ON	ON

For RM-450CE (PAL)

Set the VCR constants as follows.

- Left DIP switch

Switch No.	7	6	5	4	3	2	1	0
Setting	OFF	—	—	OFF	—	—	—	—

- Right DIP switch

Switch No.	7	6	5	4	3	2	1	0
Setting	ON	—	OFF	ON	OFF	OFF	ON	ON

For BVE-800

Set the VCR constants as follows.

When using the DSR-2000 (NTSC)

- SW2

Switch No.	1	2	3	4	5	6	7	8
Setting	ON	OFF	ON	ON	—	ON	ON	—

- SW3

Switch No.	1	2	3	4	5	6	7	8
Setting	ON	ON	ON	OFF	—	ON	OFF	OFF

When using the DSR-2000P (PAL)

- SW2

Switch No.	1	2	3	4	5	6	7	8
Setting	ON	OFF	ON	ON	—	ON	ON	—

- SW3

Switch No.	1	2	3	4	5	6	7	8
Setting	OFF	OFF	OFF	ON	—	ON	OFF	OFF

For PVE-500

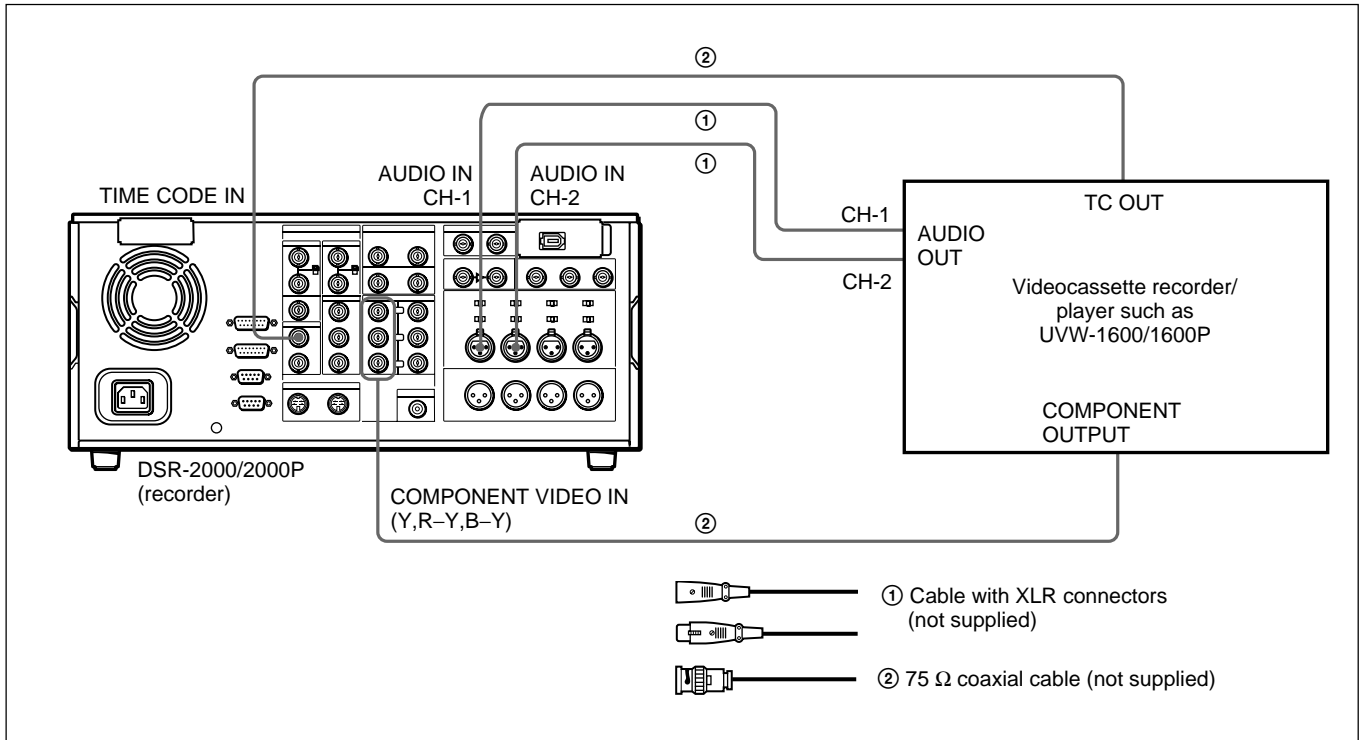
Use the factory settings as they are.

Connections for Component Analog Recording

The following shows connections for a system in which analog playback signals from another recorder or player are recorded on the DSR-2000/2000P. In this system, the video signals are analog component signals and the audio signals are recorded from audio channels 1 and 2.

Note

In this case, the DSBK-170 Analog Component Input/Output Board is required.



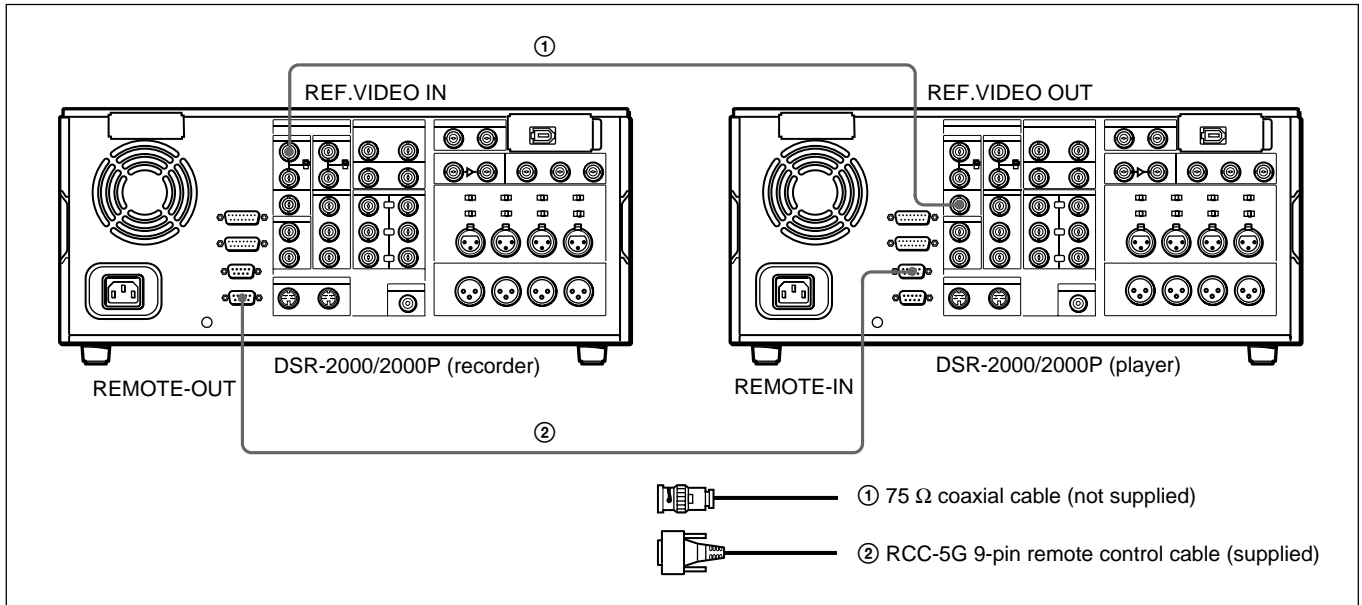
DSR-2000/2000P (recorder) settings

Control	Setting
REMOTE button	Unlit
VIDEO IN button (input selection section)	Y-R, B
CH1,1/2 button and CH2,3/4 button	ANALOG
AUDIO IN LEVEL/600Ω switch (connector panel)	Normally, 4 dBm, 600Ω (HIGH-ON)

Connections for Two-Unit Synchronous Playback

The following shows connections for synchronous playback using two DSR-2000/2000P units. In the following, the controlling unit is referred to as the recorder and the controlled unit as the player.

For information about how to carry out two-unit synchronous playback, see the section "Synchronous Playback" on page 59.



DSR-2000/2000P (recorder) settings

Control	Setting
REMOTE button	Unlit
9PIN button	Lit
Setup menu item 004	ON (Synchronize.) OFF (Do not synchronize.)
Setup menu item 305 (When synchronizing, synchronization accuracy)	ACCUR (±0 frame) ROUGH (±1 frame)
REF. VIDEO IN 75 Ω termination switch	ON

DSR-2000/2000P (player) settings

Control	Setting
REMOTE button	Lit
9PIN button	Lit



Connections for Digitally Dubbing Signals in DVCAM Format (Optional DSBK-190 Required When Using i.LINK Interface)

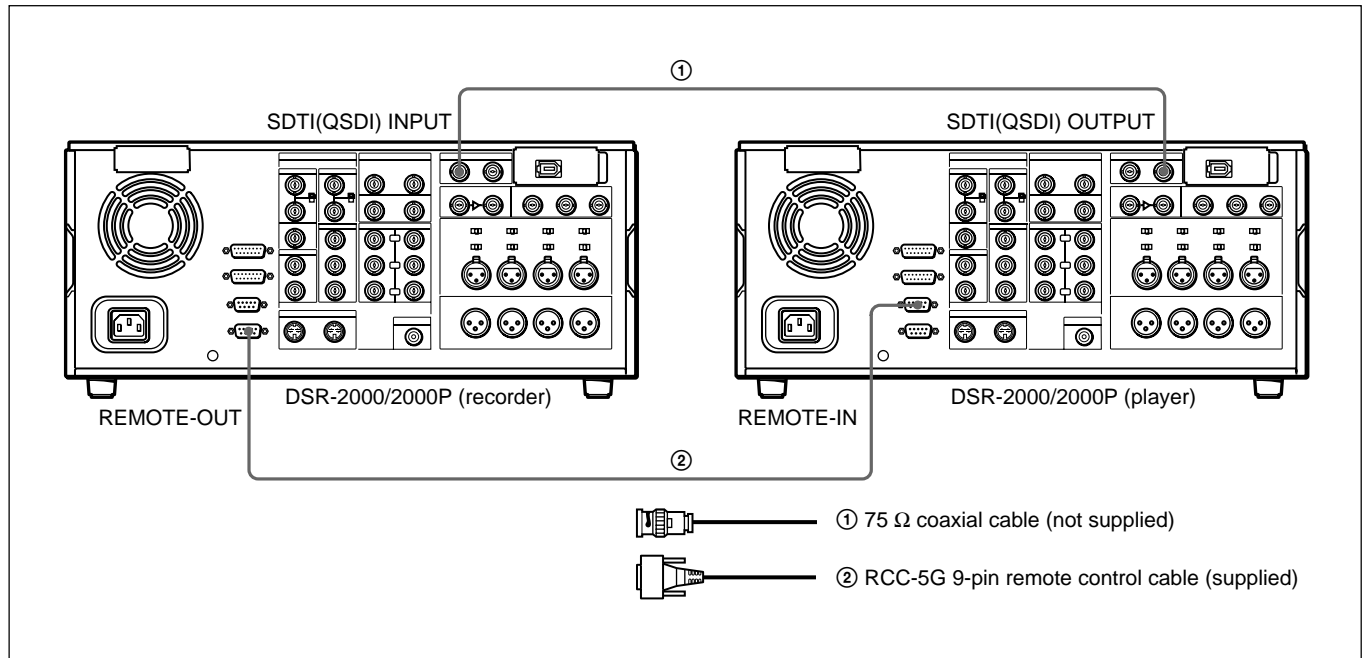
You can use this unit to digitally dub signals in DVCAM format automatically from the beginning of the tape to the end, through an i.LINK or SDTI(QSDI) interface.

For information about how to carry out digital dubbing, see the section “Digitally Dubbing Signals in DVCAM Format” (page 61).

Connecting two DSR-2000/2000P units using the i.LINK interface (DSBK-190 i.LINK/DV Input/Output Board)

Make the same connections and settings as described in the section “Connections for Cut Editing Using i.LINK Interface” (page 125).

Connecting two DSR-2000/2000P units using the SDTI(QSDI) interface



DSR-2000/2000P (recorder) settings

Control	Setting
REMOTE button	Unlit
9PIN button	Lit
SDTI/i.LINK button (input selection section)	SDTI

DSR-2000/2000P (player) settings

Control	Setting
REMOTE button	Lit
9PIN button	Lit

When connecting this unit with a DSR-60/60P/80/80P/85/85P/90/90P unit using the SDTI(QSDI) interface

Replace the DSR-2000/2000P (player) shown in the above diagram with a DSR-60/60P/80/80P/85/85P/90/90P unit and make the same connections as shown above.

The SDTI(QSDI) interface connector of the DSR-60/60P/80/80P/85/85P is marked “QSDI(OUTPUT)”.

Maintenance and Troubleshooting

Condensation

If you move the unit suddenly from a cold to warm location, or if you use it in a very humid place, moisture from the air may condense on the head drum. This is called condensation, and if a tape is run in this state, the tape may stick to the drum and can be easily damaged. To lessen the risk of this occurring, this unit is equipped with a condensation detection system.

If condensation occurs while the unit is operating:

The alarm message “MOISTURE HAS BEEN DETECTED.” appears on the monitor screen, and the alarm message “HUMID!” in the display section of the lower control panel. At the same time the unit ejects the cassette automatically. If this happens, leave the unit’s power on and wait until the alarm messages disappear.

If the condensation alarm messages appear immediately after powering on:

Leave the unit powered on and wait until the alarm messages disappear. You cannot load a cassette into the unit while the alarm messages are being displayed. Once the alarm messages disappear, the unit is ready for use.

Head Cleaning

Always use the DVM12CL (mini-size) or DV12CL (standard size) Cleaning Cassette to clean the video and audio heads. You can run the cleaning cassette for 10 seconds per cleaning operation. Follow the instructions for the cleaning cassette, as inappropriate use of the cleaning cassette can damage the heads.

To clean the heads

Insert the cleaning cassette. This automatically starts cleaning. You cannot operate any tape transport control buttons other than the EJECT button during the cleaning operation.

After about 10 seconds, the cleaning cassette will be automatically ejected.

Digital hours meter

The digital hours meter can provide seven items of information about the operational history of the unit. The information can be displayed in the display section of the lower control panel and also, by text superimposition, on the monitor connected to the unit. Use the information as a guide in scheduling periodic maintenance.

For periodic maintenance, consult your Sony dealer.

Display modes of the digital hours meter

H01: OPERATION mode

Displays the total number of hours the unit has been powered on in units of 1 hour.

H02: DRUM RUNNING mode

Displays the total number of hours the drum has run with tape threaded in units of 1 hour.

H03: TAPE RUNNING mode

Displays the total number of hours the unit has been in fast forward, rewind, playback, search, recording or editing (except for stop and still) mode in units of 1 hour.

H04: THREADING mode

Display the total number of times tape has been threaded in the unit.

H12: DRUM RUNNING mode (resettable)

Same as H02 except that the count is resettable. This can be used as a guide in determining when to replace the drum.

H13: TAPE RUNNING mode (resettable)

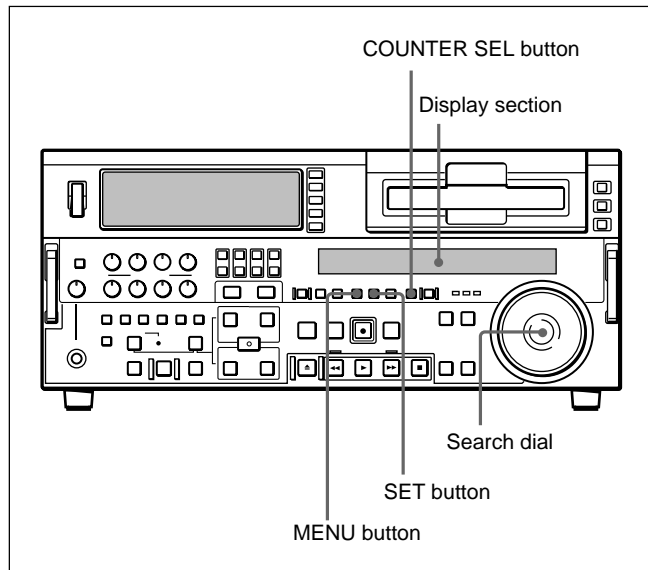
Same as H03 except that the count is resettable. This can be used as a guide in determining when to replace such components as stationary heads and pinch roller.

H14: THREADING mode (resettable)

Same as H04 except that the count is resettable. This can be used as a guide in determining when to replace, for example, the threading motor.

To display the hours meter

Press the MENU button, then turn the search dial to display the required item in the display section and on the monitor connected to the unit.



To exit from the hours meter

Press the MENU button or SET button.

To jump to H01

Press the MENU button, then the COUNTER SEL button.

Every time you press the COUNTER SEL button, menu item H01 or B01 is recalled alternately.

Troubleshooting

If an alarm message appears in the display section or on the video monitor connected to this unit, or if the

unit appears to be malfunctioning, please check the following before contacting your Sony dealer.

Operation problems

Symptom	Cause	Remedy
The unit's control buttons do not work.	The KEY INHIBIT switch on the subsidiary control panel is set to ON.	Set the KEY INHIBIT switch on the subsidiary control panel to OFF.
	The CONTROL PANEL switch on the subsidiary control panel is set to EXT.	<ul style="list-style-type: none"> Set the CONTROL PANEL switch on the subsidiary control panel to INT. Set extended menu item 117 to PARA.
The unit's transport control buttons (PLAY, F FWD, REW, etc.) do not work.	The REMOTE button is lit and menu item 006 (LOCAL FUNCTION ENABLE) is set to ST&EJ or DIS. ^{a)}	Turn off the REMOTE button and, on the subsidiary control panel, set the KEY INHIBIT switch and CONTROL PANEL switch to OFF and INT, respectively.
	No cassette is loaded. ^{a)}	Insert a cassette.

Tape problems

Symptom	Cause	Remedy
Recording is not possible.	The cassette's REC/SAVE switch is set to SAVE. ^{a)}	Set the REC/SAVE switch to REC, or use another cassette.
	The REC INHIBIT switch on the subsidiary control panel is set to ON.	Set the REC INHIBIT switch on the subsidiary control panel to OFF.
The NOT EDITABLE indication appears in the display section.	The recording mode selected on this unit does not coincide with that of the loaded tape. ^{a)}	<ul style="list-style-type: none"> Set the unit for the same recording mode as with the tape. When your current purpose is recording, you can use the tape currently loaded in the unit.
	The recording format of the currently loaded tape is DV or DVCPRO.	<ul style="list-style-type: none"> You can use the currently loaded tape as a source tape for playback and editing. You cannot use the tape as a recording tape for editing.

Time data problems

Symptom	Cause	Remedy
Cannot set the time data to an optional initial value.	The PRESET/REGEN switch on the subsidiary control panel is set to REGEN. ^{a)}	Set the PRESET/REGEN switch on the subsidiary control panel to PRESET.
	The counter value is selected as the time data for display (the COUNTER indicator is lit in the display section). ^{a)}	Press the COUNTER SEL button to light the TC (time code) or U-BIT (user bits) indicator in the display section (the counter value cannot be preset).
		Turn off the REMOTE button and, on the subsidiary control panel, set the KEY INHIBIT switch and CONTROL PANEL switch to OFF and INT, respectively.
The tape is running, but the time data does not appear in the display section.	The HOLD button has been pressed.	Press the button once again to exit the time code preset mode.
	The U-BIT indicator is lit in the display section. ^{a)}	Press the COUNTER SEL button to light the COUNTER (counter value) or TC (time code) indicator in the display section.

a) In these states, alarm messages appear in the display section and on the monitor screen.

Troubleshooting

Input problems

Symptom	Cause	Remedy
It is not possible to record an SDTI signal.	No SDTI signal is input to the unit. ^{a)}	Connect an SDTI (QSDI) signal to the SDTI (QSDI) INPUT connector.

a) In this state, an alarm message appears in the display section and on the monitor screen.

Monitor problems

Symptom	Cause	Remedy
Data is not superimposed on the monitor screen.	The CHARACTER switch on the subsidiary control panel is set to OFF.	Set the CHARACTER switch on the subsidiary control panel to ON.
	The monitor is not connected to the VIDEO OUT 3 (SUPER) or SDI OUTPUT 3 (SUPER) connector of this unit.	Connect the monitor to the VIDEO OUT 3 (SUPER) or SDI OUTPUT 3 (SUPER) connector. (You must make this connection to display any type of text on the monitor.)
The image on the monitor screen is too bright.	The 75 Ω termination switch for video input on the monitor is in the OFF position or a 75 Ω terminator is not fitted to its video input connector.	Set the 75 Ω termination switch to ON or connect a terminator.
The image on the monitor screen is too dark.	In a video signal loop-through connection of video monitors, 75 Ω termination switches for video input on monitors other than the loop-end monitor are in the ON position.	Set the 75 Ω termination switches to OFF on all monitors other than the loop-end monitor .
The image is too dark when recording a composite video signal.		

Audio problems

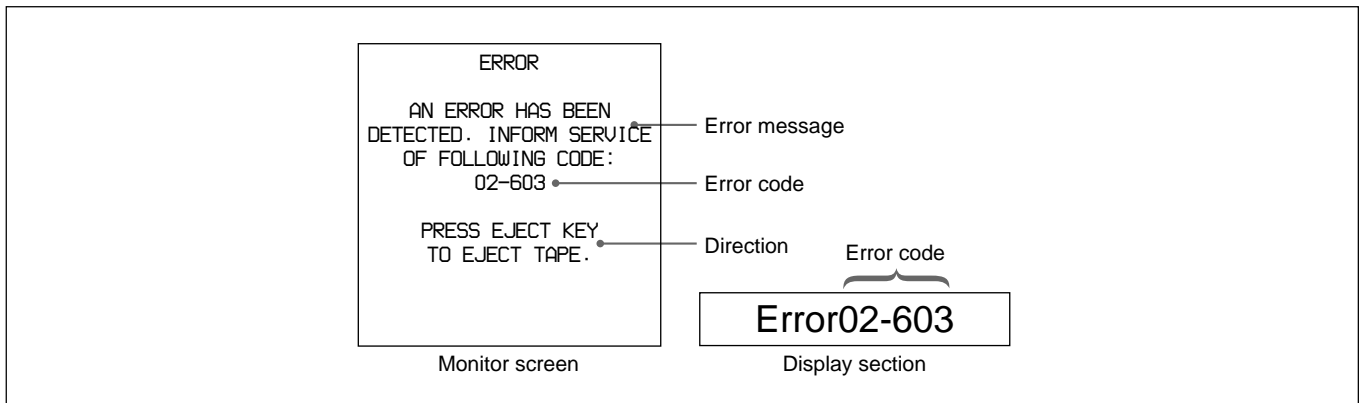
Symptom	Cause	Remedy
Turning the REC controls does not change the audio input levels.	The REC controls are pushed in.	Pull out the REC controls.
Turning the PB controls does not change the playback audio output levels.	The PB controls are pushed in.	Pull out the PB controls.

Error Messages

This unit is provided with a self-diagnostic function that detects internal abnormalities. When it detects an abnormality, it outputs an error message to the monitor connected to the unit and indicates an error code in the display section of the unit.

Note

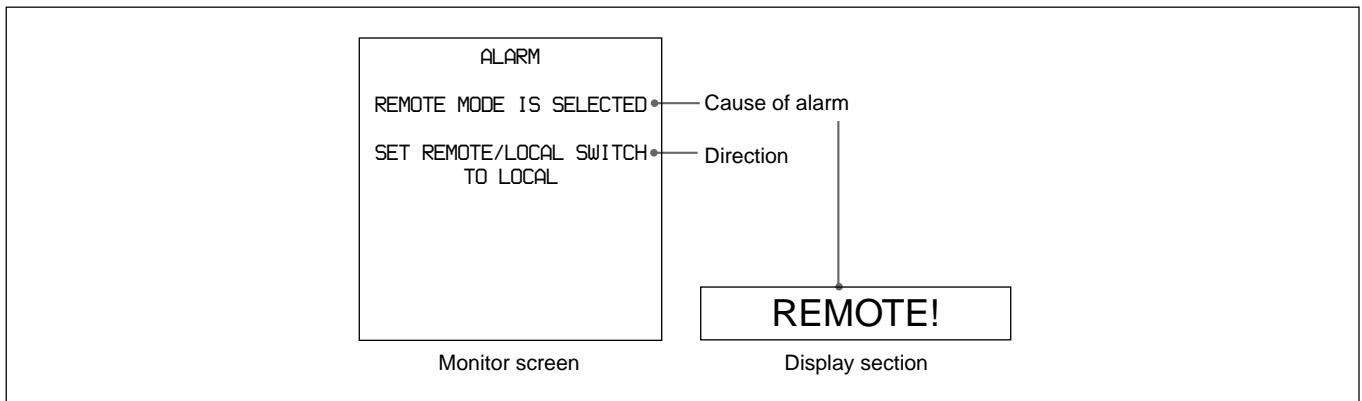
To display error messages on the monitor screen, set the CHARACTER switch on the subsidiary control panel to ON.



If an error message appears, follow the direction indicated under the message on the monitor screen.

Alarm Messages

An alarm message, for example, like the one shown below may appear on the monitor screen during operation of the unit.



If an alarm message appears, follow the direction indicated under the message on the monitor screen.

To display alarm messages on the monitor screen, set the CHARACTER switch on the subsidiary control panel to ON, and setup menu item 016 (ALARM) to ON or LIMIT.

For details of setup menu operations, see Chapter 6 “Setup Menu” (page 107).

Troubleshooting

Alarm messages and associated directions

Alarm message on monitor screen Cause	Direction	Alarm message in the display section
A cleaning tape has been inserted.	The tape will automatically be ejected after cleaning is completed.	Cleaning Tp
A non-standard signal is being used for input video.	Use a standard signal.	VIN NON-STD
A non-standard ref. signal is being used for REF. VIDEO.	Use a standard signal.	REF NON-STD
Abnormal settings selected in setup menu.	Correct the setup menu settings. Contact your Sony dealer if this alarm message appears again after making corrections.	ILL. SETUP
Audio mixing mode cannot be changed during recording.	—	REC mode!
Audio not editable on this tape.	Use a tape recorded in 2-channel (48 kHz) or 4-channel (32 kHz) mode.	2CH/32kHz!
	Use a tape having audio signals recorded in locked mode.	Fs 44.1kHz! UNLOCK mode
Audio REC mode selection different from audio on tape.	Select the same audio recording mode as that of the tape.	A mode err
Audio REC (recording) mode cannot be changed during recording.	—	REC mode!
Cassette adaptor not usable.	Use a tape without cassette adaptor.	Adaptor!
Counter mode is selected.	Use the COUNTER SEL button to light the TC or U-BIT indicator in the display section.	CNT mode!
Input selection cannot be changed in REC (recording) mode.	—	REC mode!
Input signal does not conform to DVCAM/DV format.	—	Unknown Sig
Input signal is 625/50. (For DSR-2000)	—	625/50 sig! (For DSR-2000)
Input signal is 525/60. (For DSR-2000P)	—	525/60 sig! (For DSR-2000P)
Input video is not detected.	Check the INPUT VIDEO indication in the input selection/audio mode display section and supply an appropriate video signal.	No INPUT!
Input video signal does not synchronize with REF. VIDEO signal.	Use a common reference signal or connect the recorder REF. VIDEO OUT connector to the player REF. VIDEO IN connector.	ILL. REF!
	<p>Note</p> <p>When connecting the recorder REF. VIDEO OUT connector to the player REF. VIDEO IN connector, set extended menu item 308 to N-STD.</p>	
Key inhibit mode is selected.	Set the KEY INHIBIT switch on the subsidiary control panel to OFF.	KEY INHI.
Moisture has been detected.	Keep the power on and wait until this alarm message disappears.	HUMID!
No cassette in VTR.	Load a cassette.	No Cass.!
Rec inhibit mode is selected.	Set the REC INHIBIT switch on the subsidiary control panel to OFF.	REC INHI.!
Record inhibit plug on the cassette is set to inhibit.	Set the REC/SAVE switch on the cassette to REC.	REC INHI.!

(Continued)

Alarm messages and associated directions (Continued)

Alarm message on monitor screen Cause	Direction	Alarm message on sub LCD
Remote mode is selected.	Turn off the REMOTE button.	REMOTE!
Tape cannot be replayed.	Use a tape recorded in 525/60 format. (For DSR-2000)	625/50 Tape (For DSR-2000)
	Use a tape recorded in 625/50 format. (For DSR-2000P)	525/60 Tape (For DSR-2000P)
Tape end has been detected.	Use a new cleaning tape.	Tape end!
Tape not editable.	Use a tape recorded in DVCAM format.	Not DVCAM!
	Use a tape recorded in 525/60 format. (For DSR-2000)	625/50 Tape (For DSR-2000)
	Use a tape recorded in 625/50 format. (For DSR-2000P)	525/60 Tape (For DSR-2000P)
Tape not recordable.	Use a DVCAM/DV ME tape.	REC INHI.!
Tape not usable.	Use DVCAM/DV/DVCPRO (25) tape.	ILL. Tape!
TC EXTERNAL is selected.	Set the INT/EXT switch on the subsidiary control panel to INT.	TC EXT!
TCG REGEN mode is selected.	Set the PRESET/REGEN switch on the subsidiary control panel to PRESET.	REGEN mode!
TCG RUN mode is set to REC RUN.	Set the FREE RUN/REC RUN switch on the subsidiary control panel to FREE RUN.	REC RUN!

Appendixes

Notes on Use

Operation and storage locations

Avoid operation or storage in any of the following places.

- Location subject to extremes of temperature (operating temperature range 5°C to 40°C (41°F to 104°F))
- Location subject to direct sunlight for long periods, or close to heating appliances (Note that the interior of a car left in summer with the windows closed can exceed 50°C (122°F).)
- Damp or dusty places
- Location subject to severe vibrations
- Location near equipment generating strong electromagnetic emissions
- Location near transmitting stations generating strong radio waves

Operate the unit in a horizontal position

This unit is designed to be operated in a horizontal position. Do not operate it on its side, or tilted through an excessive angle (exceeding 20°).

Avoid violent impacts

Dropping the unit, or otherwise imparting a violent shock to it, is likely to cause it to malfunction.

Do not obstruct ventilation openings

To prevent the unit from overheating, do not obstruct ventilation openings, by for example wrapping the unit in a cloth while it is in operation.

Care

If the casing or panel is dirty, wipe it gently with a soft dry cloth. In the event of extreme dirt, use a cloth steeped in a natural detergent to remove the dirt, then wipe with a dry cloth. Applying alcohol, thinners, insecticides, or other volatile solvents may result in deforming the casing or damaging the finish.

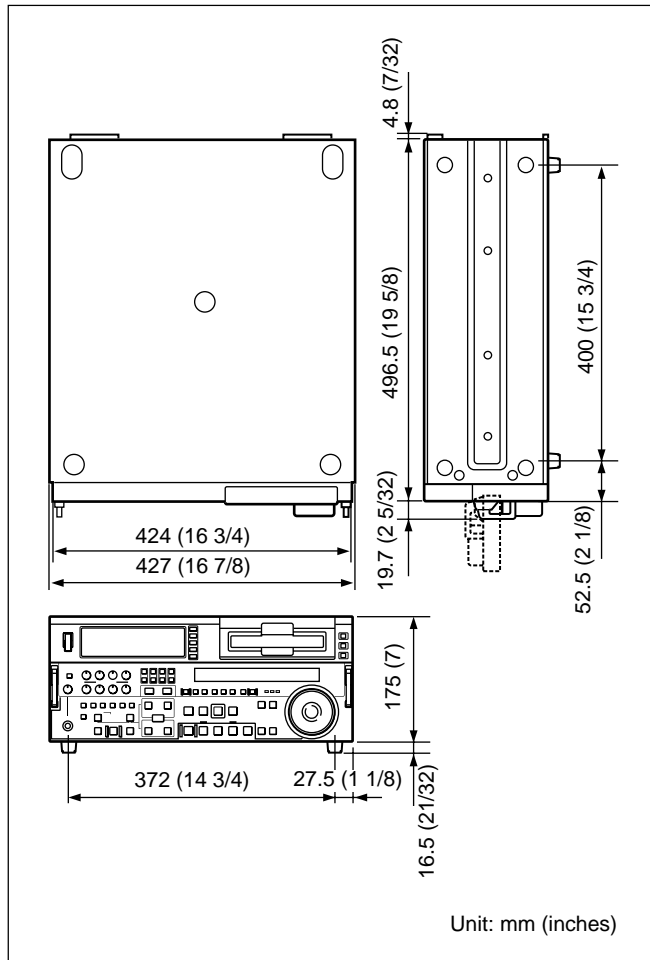
Shipping

Pack the unit in its original carton or equivalent packing, and take care not to impart violent shocks in transit.

Specifications

General

Power requirements	100 to 240 VAC, 50/60 Hz
Power consumption	110 W
Peak inrush current	(1) Power ON, current probe method: 65A (240V) (2) Hot switching inrush current, measured in accordance with European standard EN55103-1: 15A (230V)
Operating temperature	5°C to 40°C (41°F to 104°F)
Storage temperature	-20°C to +60°C (-4°F to +140°F)
Humidity	Maximum 80% (Operating) Maximum 90% (Storage)
Mass	About 18 kg (39 lb 10 oz)
Dimensions (w/h/d)	427 × 175 × 496.5 mm (16 7/8 × 7 × 19 5/8 inches)



Tape transport control system

Tape speed	28.193 mm/s (DSR-2000) 28.221 mm/s (DSR-2000P)
Recording/playback time	Using PDV-184ME standard-size cassette: 184 minutes or less Using PDVM-40ME mini-size cassette: 40 minutes or less
Fast forward/rewind time	Using PDV-184ME standard-size cassette: 3 minutes or less Using PDVM-40ME mini-size cassette: 1 minute or less
Search speed	Up to 60 times normal in both directions

Video performance

Band width	Composite (DSR-2000): 30 Hz to 4.2 MHz ±1.0 dB (Y) Composite (DSR-2000P): 25 Hz to 4.8 MHz ±1.0 dB (Y) S-Video (DSR-2000): 30 Hz to 5.0 MHz ±1.0dB (Y), 5.75 MHz +0/-3.0 dB (Y) (TM) S-Video (DSR-2000P): 25 Hz to 5.0 MHz ±1.0dB (Y), 5.5 MHz +1.0/-2.0 dB (Y), 5.75 MHz +0/-3.0 dB (Y) (TM) Component (DSR-2000): 30 Hz to 5.0 MHz ±1.0 dB (Y), 5.75 MHz +0/-3.0 dB (Y) (TM), 30 Hz to 1.3 MHz ±1.0 dB (C), 1.5 MHz +0/-5.0 dB (C) Component (DSR-2000P): 25 Hz to 5.0 MHz ±1.0 dB (Y), 5.5 MHz +1.0/-2.0 dB (Y), 5.75 MHz +1.0/-3.0 dB (Y) (TM), 25 Hz to 1.5 MHz ±1.0 dB (C), 2.0 MHz +1.0/-2.0 dB (C)
S/N	Composite I/O (Y): 53 dB or more S-Video I/O (Y): 55 dB or more Component I/O (Y): 55 dB or more
Y/C delay	30 ns or less
K-factor	2.0% or less (K2T, KPb)

Processor adjustment range

Video level	± 3 dB/ $-\infty$ to 3 dB selectable
Chroma level	± 3 dB/ $-\infty$ to 3 dB selectable
Setup/Black level	± 30 IRE (± 210 mV)
Chroma phase	$\pm 30^\circ$
Y/C delay	± 100 ns
System phase	Sync: $\pm 3\mu$ s SC: $\pm 180^\circ$

Audio performance

Frequency response	2 ch (48 kHz/16 bit): 20 Hz to 20 kHz $+0.5/-1.0$ dB 4 ch (32 kHz/12 bit): 20 Hz to 14.5 kHz $+0.5/-1.0$ dB
Dynamic range	90 dB or more (2CH, 48 kHz)
Distortion	0.05% or less (2CH, 48 kHz)

Input connectors

Digital input

i.LINK (When using DSBK-190 i.LINK/DV Input/Output Board)

6-pin IEEE1394 connector $\times 1$

SDTI (QSDI) INPUT

BNC type $\times 1$, SDTI (QSDI) format (270Mbps), SMPTE 305M/322M

SDI INPUT

BNC type $\times 2$ (active-through), SMPTE 259M (DSR-2000)/ITU-R BT.656 (DSR-2000P), SDI format (270Mbps)

Analog video input

VIDEO IN BNC type $\times 2$ (loop-through), composite, 1.0 Vp-p, 75 Ω , sync negative

REF. VIDEO IN BNC type $\times 2$ (loop-through), black burst, 0.286 Vp-p (DSR-2000) or 0.3 Vp-p (DSR-2000P), 75 Ω , sync negative

S VIDEO IN DIN 4-pin $\times 1$
Y: 1.0 Vp-p, 75 Ω , sync negative
C: 0.286 Vp-p (DSR-2000) or 0.3 Vp-p (DSR-2000P), 75 Ω (burst level)

COMPONENT VIDEO IN Y/R-Y/B-Y

BNC type $\times 3$, component video
Y: 1.0 Vp-p, 75 Ω , sync negative
R-Y: 0.7 Vp-p, 75 Ω (75% for DSR-2000 or 100% for DSR-2000P)
B-Y: 0.7 Vp-p, 75 Ω (75% for DSR-2000 or 100% for DSR-2000P)

Analog audio input

AUDIO IN XLR 3-pin (female) $\times 4$,
 $-6/0/+4$ dBu, 600 Ω ON/OFF/ -60 dBu, high impedance, balanced

Digital audio input

DIGITAL AUDIO (AES/EBU) IN CH-1/2, CH-3/4
BNC $\times 2$, complying with AES-3id-1995

Timecode input

TIME CODE IN BNC type $\times 1$, SMPTE (DSR-2000)/EBU (DSR-2000P)
0.5 to 18 Vp-p, 3.3 k Ω , unbalanced

Output connectors

Digital output

i.LINK (When using DSBK-190 i.LINK/DV Input/Output Board)

6-pin IEEE1394 connector $\times 1$

SDTI (QSDI) OUTPUT

BNC type $\times 1$, SDTI (QSDI) format (270Mbps), SMPTE 305M/322M

SDI OUTPUT 1, 2, 3 (SUPER)

BNC type $\times 3$, SMPTE 259M (DSR-2000)/ITU-R BT.656 (DSR-2000P), SDI format (270Mbps)

Analog video output

VIDEO OUT 1, 2, 3 (SUPER)
BNC type $\times 3$, composite, 1.0 Vp-p, 75 Ω , sync negative

REF. VIDEO OUT

BNC type $\times 1$, composite sync, 0.286 Vp-p (DSR-2000) or 0.3 Vp-p (DSR-2000P), 75 Ω , sync negative (with burst)

Specifications

S VIDEO OUT DIN 4-pin ×1
Y: 1.0 V_{p-p}, 75 Ω, sync negative
C: 0.286 V_{p-p} (DSR-2000) or
0.3 V_{p-p} (DSR-2000P), 75 Ω
(burst level)

COMPONENT VIDEO OUT Y/R–Y/B–Y
BNC type ×3, component video
Y: 1.0 V_{p-p}, 75 Ω, sync negative
R–Y: 0.7 V_{p-p}, 75 Ω (75% for
DSR-2000 or 100% for DSR-
2000P)
B–Y: 0.7 V_{p-p}, 75 Ω (75% for
DSR-2000 or 100% for DSR-
2000P)

Analog audio output

AUDIO OUT XLR 3-pin (male) ×4, +4/0/–6 dBu
(selectable by menu setting),
600 Ω loaded, low impedance,
balanced

MONITOR AUDIO
Phono jack ×1, –11 dBu, 47 kΩ
load, unbalanced

Digital audio output

DIGITAL AUDIO (AES/EBU) OUT CH-1/2, CH-3/4
BNC×2, complying with AES-3id-
1995

Headphone output

HEADPHONES Stereo phone jack ×1, –∞ to
–13 dBu, 8 Ω, unbalanced

Timecode output

TIME CODE OUT
BNC type ×1, SMPTE (DSR-
2000)/EBU (DSR-2000P)
2.2 V_{p-p}±3.0 dB, 600 Ω,
unbalanced

REMOTE-IN D-sub 9-pin, female, for connection
of another DSR-2000/2000P unit or
other editing controller, complying
with RS-422A

REMOTE-OUT D-sub 9-pin, female, for loop-
through output of signals from the
REMOTE-IN connector

Accessories supplied

AC power cord (1)
Operating Instructions (1)
RCC-5G 9-pin remote control cable (1)

Accessories not supplied

DSBK-190 i. LINK/DV Input/Output Board
RCC-5G 9-pin Remote Control Cable, 5 m (16 ft) long
DSBK-200 Control Panel
RMM-130 Rack Mount Kit
PDV-64ME/94ME/124ME/184ME Digital Video
Cassette (standard size)
PDVM-12ME/22ME/32ME/40ME Digital Video
Cassette (mini-size)
DV12CL Cleaning Cassette (standard size)
DVM12CL Cleaning Cassette (mini-size)

Design and specifications are subject to change
without notice.

Control connectors

VIDEO CONTROL
D-sub 15-pin, male, for connection
of optional UVR-60/60P or BVR-
50/50P

CONTROL PANEL
D-sub 15-pin, female, for
connection of optional DSBK-200

What Is ClipLink?

The ClipLink™ function greatly improves the efficiency of the video production process as a whole by recording various editing-related data on tape when shooting. As such, ClipLink is a revolutionary function that transcends the conventional separation of shooting and editing.

How ClipLink Changes Video Production Techniques

The following describes various ways in which ClipLink¹⁾ video production differs from conventional video production.

Recording of ClipLink log data lightens the shooting workload

When you start shooting a scene, ClipLink log data such as the scene number and time code data are automatically recorded into the cassette memory. This eliminates the need for a conventional “shot list” compiled by someone using a stopwatch, clipboard and pencil. You can also designate unwanted scenes as “NG” (no good) and automatically skip all “NG” scenes when editing.

Recorded Index Pictures drastically cut editing time

The ClipLink function also features Index Pictures a time-saving tool for rough editing. Each Index Picture is a compressed image taken from the start of each scene, which is recorded onto the tape as a still picture. When editing, begin by transferring only the Index Pictures and the ClipLink log data to the EditStation’s hard disk. You can also transfer OK scenes only (“NG” scenes are skipped).

Next, begin rough editing by viewing the Index Pictures on the EditStation’s GUI display and rearranging them as you wish. This eliminates the difficult work of matching up a handwritten shot list with recorded scenes. After you have completed this rough editing, you can then transfer only the recordings needed for your video program.

High-speed transfer of recordings

It is also possible to transfer the editing material itself between the DSR-85/85P and ES-7 at four times normal speed. In other words, the transfer can be carried out in one fourth of the real time duration. It is of course possible to carry out a transfer at four times normal speed when backing up video and audio data recorded on the disk drive to the DSR-85/85P, or in the opposite direction when loading data backed up on the DSR-85/85P to the disk drive. Thus the time required is much shorter than with conventional equipment (for which, for example, transferring a 40-minute segment of video takes 40 minutes).

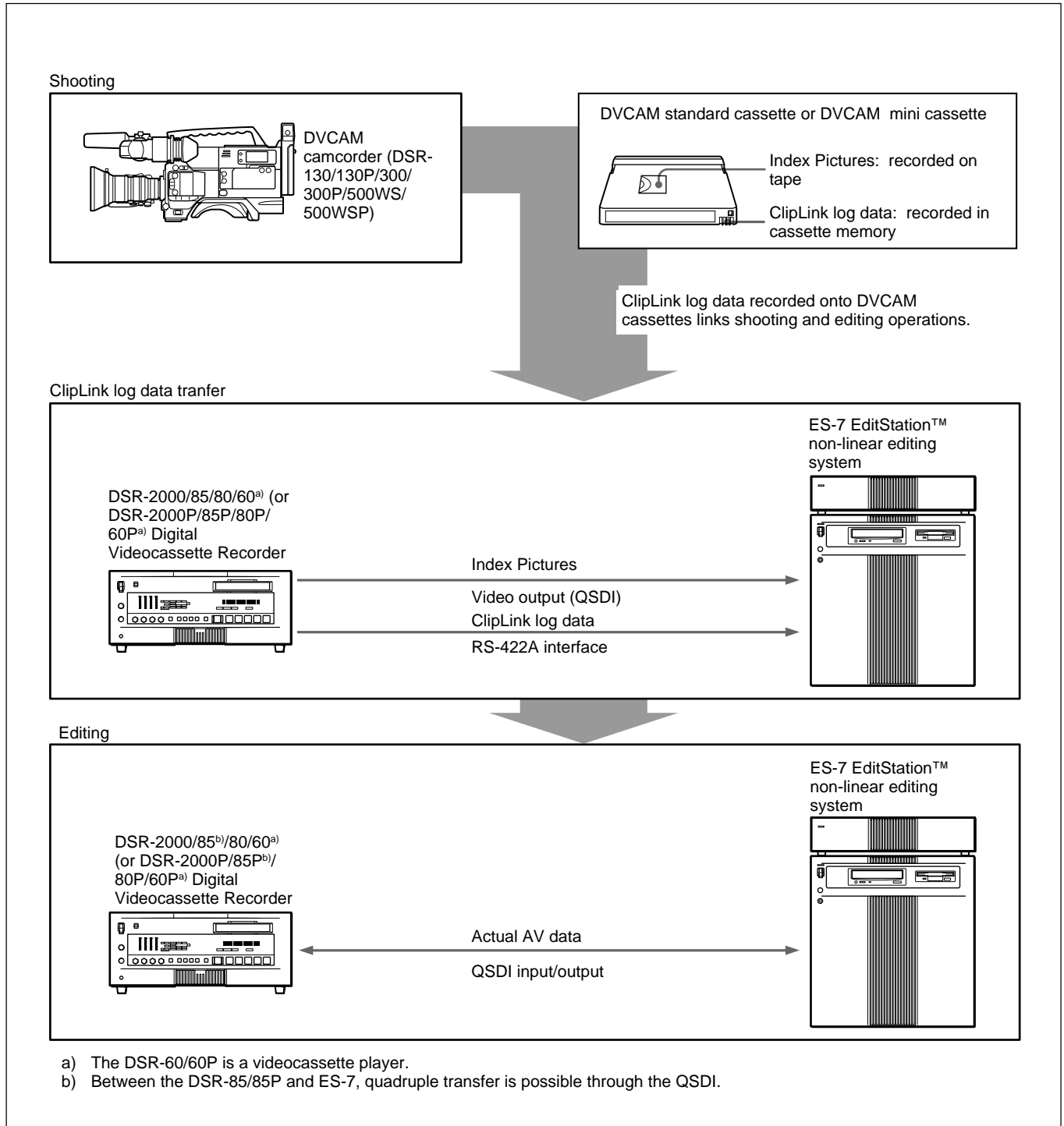
Note

To transfer digital signals (video, audio and time code) recorded on a tape on this unit from the DSR-85/85P to the ES-7 at four times normal speed requires a continuous recorded section of about 40 seconds before the IN point on the recorded tape.

1) The ClipLink system is a video production system which uses the cassette memory function.

Example System Configuration and Operation Flow

The following illustration shows an example system configuration for using the ClipLink function and a typical ClipLink operation flow.

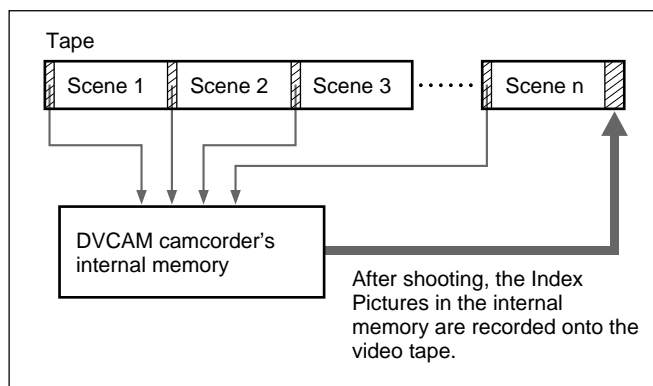


Data Generated When Shooting

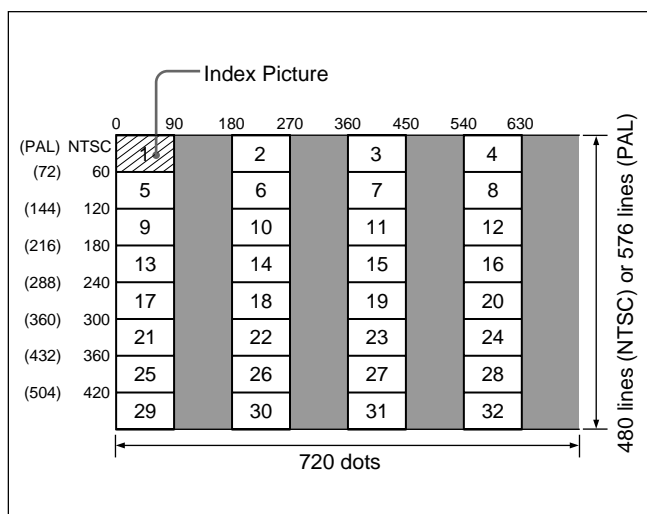
The following describes the kinds of data that is generated when using the ClipLink function.

Index Pictures

When shooting, a single-frame image from the Mark IN point at the start of each scene is recorded as a still picture into the DSR-1/1P's internal memory. These images are called "Index Pictures". When you finish shooting, the Index Pictures from all scenes are recorded onto the tape after the last scene.



Up to 32 Index Pictures can be recorded onto the tape space normally occupied by one frame, as shown below.



Seven frame spaces are reserved at the end of the last scene as a recording area for Index Pictures. (A cassette with 16 Kbits of cassette memory can record up to 198 Index Pictures, and a cassette with 4 Kbits of cassette memory can record up to 45 Index Pictures.)

ClipLink log data

ClipLink log data can be recorded automatically or manually into the cassette memory for use as a

convenient alternative to the conventional "shot list". ClipLink log data includes the following items.

ClipLink log data	Description
Reel number (cassette number)	Data (maximum length: 8 digits) consisting of alphanumeric characters and/or symbols (This is left blank at shipping.)
Scene number	A three-digit number from 001 to 198 (starts at 001 and is automatically incremented with each scene).
Take number	This cannot be changed (set to "1" at shipping).
OK/NG	Indicates the OK/NG status of a particular scene. (In the OK case, nothing is recorded.)
Mark IN/OUT point time codes	These are the time codes that indicate the Mark IN and Mark OUT points for each scene (HH:MM:SS). These time codes are recorded when the camera has been set to MARK mode. The frame digit is incremented at each Mark IN point and is decremented at each Mark OUT point. (For details, see "Time codes recorded for Mark IN/OUT points" on page 14.)
Cue point time code	This is the time code that indicates the cue points (valid up to the frame digit). This time code is recorded when the camera has been set to CUE mode. When in this mode, the time codes at the start and end of a recording (the Rec IN and Rec OUT time codes) are automatically recorded as Mark IN/OUT points.

How to record ClipLink log data

The following describes how to record the various ClipLink log data items.

OK/NG status

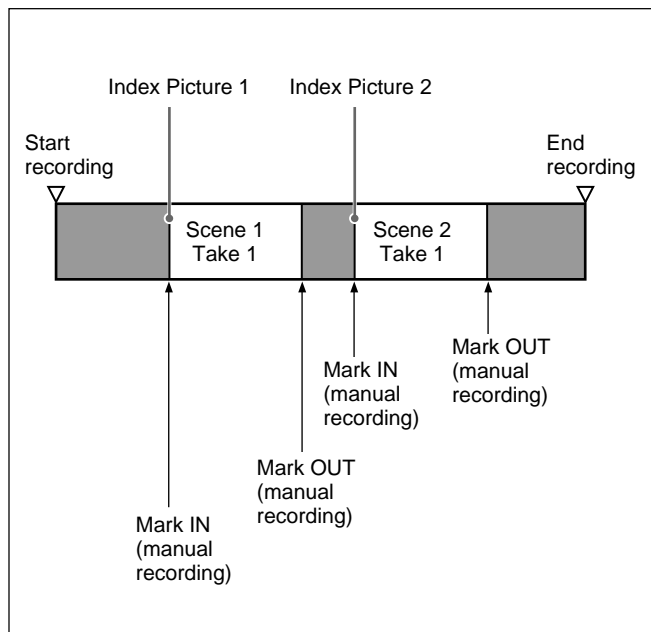
To designate a scene as “NG”, press the NG button on the camera while shooting the scene or at any time before you begin shooting the next scene.

All scenes that do not receive an “NG” designation are recorded as “OK” scenes.

(When you exit the VTR recording mode, changing the OK/NG status is no longer possible.)

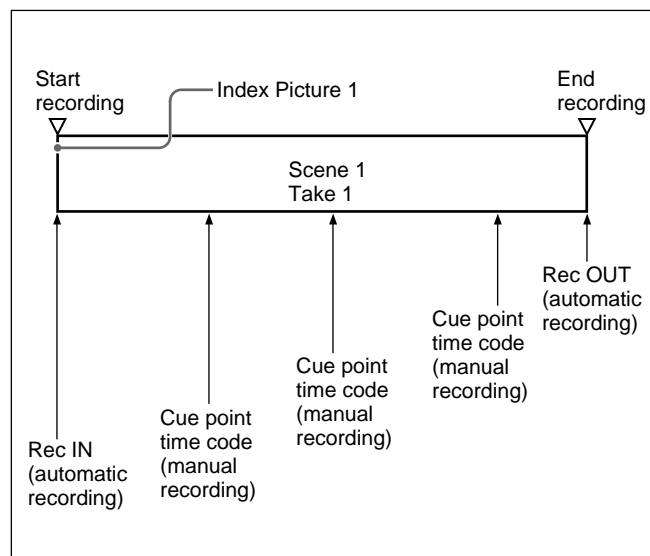
Mark IN/OUT points time codes

This data is especially useful when shooting a video program for which a scenario has been created. Set the camera to MARK mode before you start shooting. While shooting, each time you press the camera’s TAKE button, Mark IN and Mark OUT time codes are recorded alternately.



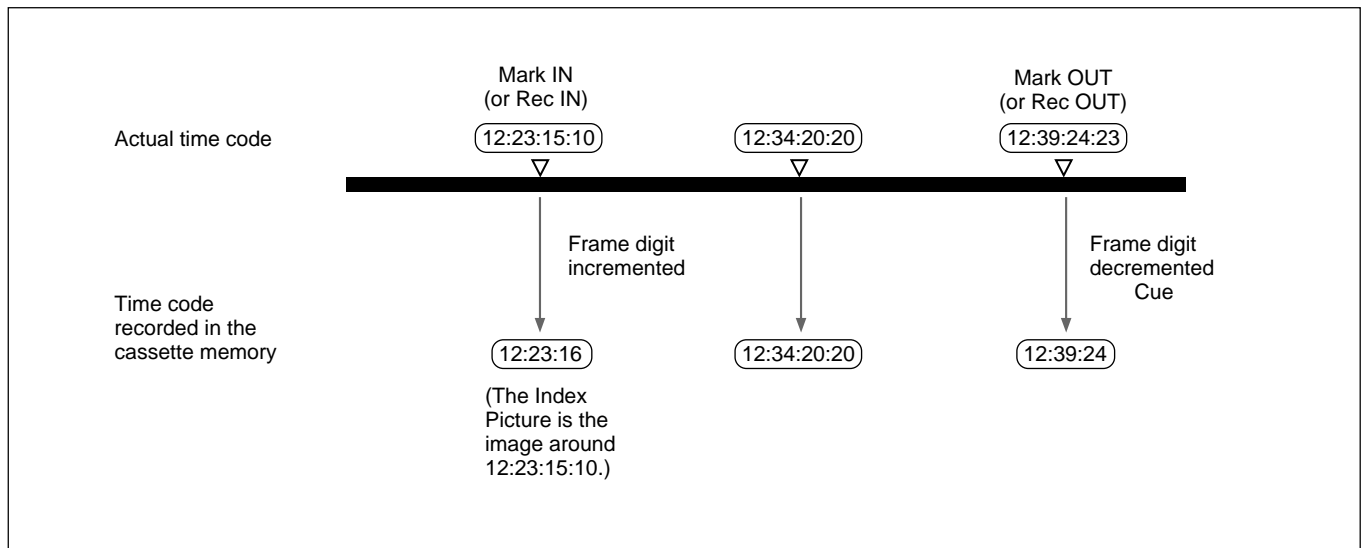
Cue point time codes

This type of data is especially useful when shooting scenes that may contain unexpected events, such as when shooting for sports coverage or documentaries. Set the camera to CUE mode before you start to record. While recording, each time you press the camera’s TAKE button, the current time code is recorded as a cue point time code.



Time codes recorded for Mark IN/OUT points

There is a gap between actual time codes and Mark IN/OUT time codes recorded in the cassette memory, as shown in the figure below. The frame digit is incremented at each Mark IN point and is decremented at each Mark OUT point.



Recording capacity for Mark IN/OUT time codes and Cue point time codes

When in MARK mode, up to 198 pairs of Mark IN and Mark OUT points can be recorded (if using a cassette with 16 Kbits of cassette memory).

When in CUE mode, up to 396 time codes points (including all cue point time codes and all Mark (Rec) IN and Mark (Rec) OUT time codes) can be recorded (if using a cassette with 16 Kbits of cassette memory).

AES/EBU format

A unified format for digital audio signals. It allows a single XLR connector to carry the signals for two channels.

Assemble editing

Editing in which new video/audio is added in sequence to the end of existing recorded video/audio. *See also "Insert editing"*.

Bridge connection

A connection which allows a signal input to an input terminal to pass through the unit and exit from an output terminal as input to external equipment.

B-Y signal

One of the color difference signals, the B (blue) signal minus Y (luminance) signal.

C signal

See "Chrominance signal".

Capstan

A drive mechanism that moves the tape at a specified speed. Its rotation is normally synchronized with a reference sync signal.

Chrominance signal

A signal which carries information about hue and saturation. Also called "C signal".

Condensation

Moisture which condensed on tape transport mechanisms. If there is condensation on the head drum, tape sticks to drum and the VCR may malfunction.

Component video signal

A signal that consists of a luminance signal (Y) and two chrominance signals (R-Y, B-Y).

Composite video signal

A signal that consists of video, sync and color burst signals.

CTL

Control signal in the form of regular pulses recorded along a longitudinal track on the videotape. By counting these pulses, it is possible to determine the number of frames, and hence the tape's running time. Used mainly to adjust the tracking position of video heads, and to achieve timecode continuity in continuous recording.

Digital VCR

On a digital VCR, video and audio signals are recorded on magnetic tape and, unlike on an analog VCR, can be played back without any quality deterioration.

Drop frame mode

Time code runs at 30 frames/sec. The NTSC system, however, runs at about 29.97 frame /sec. Drop frame mode adjusts this difference. The timecode and video are synchronized by dropping the first two frames of the timecode every minute, except at the ten-minute marks.

Drum

See "Head drum".

E-E mode

Abbreviation of "Electric to Electric" mode. In this mode, video and audio signals input to the VCR are output after passing through internal electric circuits, but not through magnetic conversion circuits such as heads and tapes. This can be used to check input signals and for adjusting input signal levels.

Emphasis

The signal is emphasized at high frequencies. During playback, it is de-emphasized. This suppresses noise without affecting the original signal.

External lock/Gen-lock

Synchronizing one equipment (controlled or slave unit) to another (controlling or master unit). The signal and tape run of the VCRs used for editing, player and recorder, are usually synchronized.

Gen-lock (generator lock)

See "External lock".

Head drum

A metal cylinder to which a video head is attached. This drum is rotated at high speeds in synchronization with the sync signal during recording and playback.

Insert editing

Editing in which new video/audio is added into the middle of existing recorded video/audio. *See also "Assemble editing"*.

IRE

A unit for representing a video level laid down by the IRE (Institute of Radio Engineers). The IRE is now the IEEE (Institute of Electric and Electronic Engineers).

Linear editing

Editing while playing back video and audio signals recorded on video tape. *See also "Non-linear editing"*.

Loading

Also called "threading". To pull the tape out of the cassette case, thread it along the specified tape path, and wrap it on the drum in order to prepare it for recording or playback. The VCR automatically loads the cassette tape when you insert the cassette into the cassette compartment. There are two loading modes: standby-on mode and standby-off mode.

Loop-through connection

See "Bridge connection".

LTC

Abbreviation of "Longitudinal Time Code". This timecode is recorded on a longitudinal track on the tape. Reading is unreliable at low speeds, and not possible at all during still playback. *See also "VITC"*.

Luminance signal

A signal that determined the brightness of the picture. Also called "Y signal".

Non-drop frame mode

The number of frames of the timecode and video run is not adjusted. When you use the timecode in non-drop frame mode, the real playback time will be about 86 seconds shorter per day than the timecode. If you edit frame by frame or if you determine the length of a shot by counting the timecode, use drop frame mode.

Non-linear editing

Editing while playing back video and audio signals recorded on hard disks. Video scenes stored on disk can be cued up quickly, for increased editing efficiency. *See also "Linear editing"*.

PCM audio

This is an audio signal represented by pulse code modulation. The analog audio signal is first broken down into a sequences of pulses, and these are then represented digitally.

Preroll

Running of a video tape to a prior to an edit-start point to enable the tape to reach a steady speed and to be synchronized with other video tapes.

Reference video signal

A video signal which contains a sync signal or sync and burst signals, used as a reference for synchronization of video equipment.

R–Y signal

One of the color difference signals, the R (red) signal minus Y (luminance) signal.

Sampling frequency

The unit of time used when converting an analog signal with a continuously varying level to digital form by sampling the level at a fixed interval. In general, a higher sampling frequency makes it possible to digitize analog signals of a higher frequency.

SCH

Abbreviation of Sub Carrier to Horizontal. The phase of the subcarrier with respect to the phase of the horizontal synchronization signal. In editing of monochrome video, phase continuity is maintained by editing in units of frames (two fields), so that the continuity of the horizontal synchronization signal phase is maintained. Editing of color video must be done in units of two frames (four fields) to maintain subcarrier continuity. The SCH of a field can be checked to find out which of the four fields it represents. This allows edited video signals to be joined while maintaining subcarrier continuity.

Search

Viewing the picture or timecode by running the tape in fast forward or rewind mode, in order to search for a particular scene.

Servo

A mechanism that controls the number and phase of rotations of the head drum or capstan. Servo mechanism allows playback of the video signal without guard band noise. The reference signal of the servo control is normally a vertical sync signal.

Servo lock

This refers to the synchronization of the phase of the drum rotation and the reference signal for the tape transport position, so that the video heads can trace the same pattern on the tape for playback and recording.

Setup (for DSR-2000)

The difference between the reference black level and the blanking level of a composite signal.

SMPTE

Abbreviation of Society of Motion Picture and Television Engineers, a professional association established in the USA.

S/N

Signal-to-Noise ratio. The relation of the strength of the desired signal to the accompanying electronic interference, the noise. If S/N is high, sounds are reproduced with less noise and pictures are reproduced clearly without snow.

Standby-off mode

One of the stop modes. In this mode, head drum rotation is stopped and the tape tension is slackened. It is not possible to switch instantaneously from this mode to recording or playback mode. This mode is not harmful to the tape or heads.

Standby-on mode

One of the stop modes. In this mode, the head drum continues rotating and the tape remains wound onto the drum. This mode enables instantaneous switching to recording or playback mode. To prevent damage to the tape or heads, the device automatically switches from standby-on mode to standby-off mode after a certain period of time.

Subcarrier

Color information contained in a composite video signal. Its amplitude is for color saturation and its phase to color burst is for hue.

Superimpose

To put one picture (or characters) onto another so that both can be seen at the same time.

S-video

A signal format in which Y (luminance) and C (chrominance) signals are separated to reduce interference between them so that noiseless images are reproduced.

Sync

A reference signal consisting of vertical and horizontal sync signals used for synchronizing the scanning patterns of the video camera and the monitor.

Synchronization

In video editing, alignment of the position and speed of player and recorder VCRs tapes. Carried out during preroll in order to increase editing precision.

Tape tension

The tension applied to a tape. For the tape to run properly while being wound on the drum, it must be pulled lightly in the opposite direction to the direction of transport. Improper adjustment of tape tension can cause deviations along the temporal signal axis. In analog VCRs, these deviations are evident as skew and distortion in the upper part of the screen.

TBC

Abbreviation of Time Base Corrector. Electronic circuits to electrically stabilize the playback signals by removing color variation and roll in the playback picture caused by irregularity in drum rotation and tape movement. Time base correction reduces deterioration of picture quality when transmitting or copying playback signals.

Threading

See "Loading".

Time code

The timecode is a tape position information signal that includes time and frame data that are recorded onto the tape so as to facilitate searching of editing points and recorded scenes when viewing or editing.

SMPTE timecode is applied to NTSC system, and EBU timecode is applied to PAL/SECAM systems. There are two kinds of signal recorded on tape. One is longitudinal timecode (LTC) recorded along the tape (the same way as audio and CTL signals). The other is vertical interval timecode (VITC). This code is inserted in the vertical blanking period and it is recorded on the tape with video signals.

Time data

This refers either to time data that is generated by a timecode generator or time data that is played back from a tape and read by a timecode reader.

Unloading

When the EJECT button is pressed, the VCR automatically winds the tape back into the cassette case. Also called "Unthreading".

Glossary

Unthreading

See “Unloading”.

User bits

These are also referred to as “user’s bits”. The user bits are a 32-bit segment of the timecode recording area. The user can select what to record in this segment and how to use the recorded data. For example, it can be used to record date information in addition to the timecode data or ID numbers for tape reels or programs.

V (vertical)-blanking

The portion of the video signal that occurs between the end of one field and the beginning of the next. During this time, the electron beams in monitors are turned off so that they can return from the bottom of the screen to the top without showing tracks of movement on the screen. When the position of v-blanking is not adjusted correctly, a horizontal black bar appears on the screen.

Video gain

Amount of amplification for video signals, expressed in decibels (dB).

VITC

Abbreviation of “Vertical Interval Time Code”. This timecode is inserted in the vertical blanking interval and recorded on the video tracks. It can be read at low speeds and during still playback, but not during high-speed playback. See also “LTC”.

Y signal

See “Luminance signal”.

A

- AC IN connector 28
- Adding a narration 95
- Alarm messages 139
- Analog
 - audio input/output section 31
 - interfaces 8
 - video input/output section 29
- ASSEMBLE button 20
- Assemble edit mode 67
- Audio
 - level meters 13
 - recording level 46
- AUDIO CH1, CH1/2 (CH2, CH3/4)
 - display 14
- AUDIO IN
 - button 21
 - CH-1 to CH-4 connectors 32
 - LEVEL switches 32
 - switches 31
- AUDIO OUT
 - button 21
 - CH-1 to CH-4 connectors 32
- AUTO EDIT button 21
- Automatic editing 67
 - execution 82

B

- Basic menu 107
 - items in the menu 107
 - menu operations 110
- BLACK LEVEL knob 27

C

- Capstan override 23
- Cassettes 33
 - compartment 13
 - inserting/ejecting 34
- Cassette memory indicator 19
- CH1, 1/2 button 15
- CH2, 3/4 button 15
- CHANNEL CONDITION indicator 19
- CHARACTER switch 25
- CHROMA knob 27
- CHROMA PHASE (HUE) knob 27
- CHROMA PHASE knob 27
- ClipLink Guide 147
- ClipLink indicator 19

- ClipLink log data
 - adding to/deleting from 103
 - creating 105
 - display 98
 - rewriting 100
- ClipLink operation 97
- Component analog recording
 - connections 131
- COMPONENT VIDEO
 - IN connectors 30
 - OUT connectors 30
- Condensation 135
- Connections and settings 125
 - component analog recording 131
 - cut editing using i.LINK 125
 - cut editing using SDI 128
 - digital nonlinear editing using SDTI (QSDI) 127
 - digitally dubbing signals in DVCAM format 133
 - preread editing 129
 - settings on external editor 130
 - time code settings 130
 - two-unit synchronous playback 132

- Connector panel 28
- Continuous editing 91
- Control panel
 - lower control panel 16
 - subsidiary control panel 25
 - upper control panel 13

CONTROL PANEL

- connector 31
 - switch 25
- ## COUNTER SEL button 18
- Cuing up to
 - adjacent Mark IN/cue points 99
 - any desired position 99
 - cue points 99
 - edit points 22, 78
 - Mark IN/OUT points 99

- Cut editing
 - using i.LINK 125
 - using SDI 128

D

- DELETE button 21
- DF/NDF switch 26
- Digital
 - input/output section 30
 - interfaces 8
 - jog sound 9
 - nonlinear editing using SDTI (QSDI) 127
- DIGITAL AUDIO (AES/EBU)
 - IN connectors 30
 - OUT connectors 31

- Digitally dubbing DVCAM signals 61
 - connections 133
- Display section 18
- DMC
 - editing 84
 - playback 55
- DMC EDIT button 21
- Drop-frame mark 37
- Duration display 76
- DVCAM
 - cassettes 33
 - connections for digital dubbing 133
 - digital dubbing 61
- Dynamic motion control playback 55

E

- EDIT button 23
- Edit mode 71
 - assemble edit 67
 - insert edit 68
 - setting section 20
- Edit points
 - checking 75
 - cuing up 22, 78
 - duration display 76
 - modifying 76
 - setting 72
 - split edit points 73
 - time value display 75
- Edit result checking 80
- Editing
 - adding a narration 95
 - automatic editing 67
 - button/switch settings 70
 - continuous editing 91
 - DMC editing 84
 - manual editing 94
 - preread editing 87
 - quick editing 90
 - sequence of operations 69
 - standalone editing 93
- Editing control section 21
- E-E mode 13, 22, 23
- EJECT button 23
- ENTRY/SHIFT button 22
- Error messages 139
- Extended menu 113
 - items in the menu 113
 - menu operations 123
- External device connectors 31
- External editor settings 130
- External lock 42

F

- F FWD button 23
- Fault display function 23
- Features 7
- FREE RUN/REC RUN switch 26

G

- Ground terminal 28

H

- Head cleaning 135
- HEADPHONES jack 17
- HOLD button 18

I

- i.LINK
 - button 15
 - connector 30
 - cut editing 125
 - digital dubbing 61
- IN button 22
- Initial time code value 39
- INPUT display 14
- Input selection section 14
- Input selection/audio mode display section 13
- INPUT VIDEO display 14
- INSERT buttons 20
- Insert edit mode 68
- INT/EXT-PRESET/REGEN switch 26
- Interfaces 8

J

- JOG indicator 20
- Jog mode 24

K

- KEY INHIBIT
 - indicator 19
 - switch 26

L

- Lower control panel 16
 - position adjustment 12

M

- Maintenance 135
- Manual editing 94
- Mark IN/OUT points
 - changing 100
 - cuing up to 99
 - deleting 103
- MEMORY indicator 21
- Menu *See* Setup menu
- Menu bank operations 112
- MENU button 17
- METER FULL/FINE button 16
- MIXING button 15
- MONITOR AUDIO connector 32
- Monitor output 81
- MONITOR SELECT buttons 17
- Monitor/menu/display setting section 17
- Monitoring in E-E mode 22, 23

N

- Narration 95
- 9PIN button 15
- NOT EDITABLE indicator 20
- Notes on use 143

O

- OK/NG status 101
- Operating status display 35
- Operation mode 37
- OUT button 22

P

- PB
 - button 18
 - controls 17
- PB FS display 14
- PB/EE button 18
- PCM digital audio 7
- PHONE LEVEL control 17
- PLAY button 23
- Playback 49
 - button/switch settings 49
 - capstan override 54
 - DMC playback 55
 - jog mode playback 51
 - normal playback 50
 - shuttle mode playback 52
 - synchronous playback 59
 - variable mode playback 53

- PLAYER button 17
- POWER switch 13
- Preread
 - connections 129
 - editing 87
- PREREAD button 17
- Preroll 79
- PREROLL button 22
- Preview 80
- PREVIEW button 21
- PROCESS CONTROL switch 26

Q

- Quick editing 90

R

- Rack mount 10
- REC
 - button 22
 - controls 16
- REC INHIBIT
 - indicator 19
 - switch 26
- REC MODE display 14
- RECORDER button 17
- Recording 45
 - button/switch settings
 - operation 48
 - time code/user bit values 47
- Recording/playback format indicators 19
- Reel number 100
- REF. VIDEO
 - IN connectors 29
 - OUT connector 29
- Reference level 46
- Reference video signals for analog signal editing 125
- REMOTE button 15
- Remote control setting section 15
- REMOTE-IN connector 31
- REMOTE-OUT connector 31
- RESET button 18
- REVIEW button 22
- REW button 23

S

- S VIDEO
 - IN connector 29
 - OUT connector 29

SC knob 27

SDI

- cut editing 128
- INPUT connectors 31
- OUTPUT 1, 2, and 3 (SUPER) connectors 31

SDTI (QSDI)

- digital nonlinear editing 127
- INPUT connector 30
- OUTPUT connector 30

SDTI/i.LINK button 14

Search

- control section 23
- dial 23

SEARCH button 23

SERVO indicator 19

SET button 17

SET UP knob 27

Setup menu 107

- basic menu 107
- extended menu 113
- menu system configuration 107

75-ohm termination switch 29

SHUTTLE indicator 20

Shuttle mode 24

Sound-on-sound 95

Special editing methods 89

- adding a narration 95
- continuous editing 91
- manual editing 94
- quick editing 90
- standalone editing 93

Specifications 144

Standalone editing 93

STANDBY button 22

STOP button 23

- fault display function 23

Subsidiary control panel 25

Superimposing text information 35

SYNC knob 27

Synchronizing time code generator 42

Synchronous playback 59, 132

System configuration 11

T

Tape end alarm indicator 20

Tape transport control section 22

TC SELECT switch 26

Text information 35

Time code

- generator/reader 9, 42
- recording 47
- setting 39

TIME CODE

- IN connector 29
- OUT connector 29

Time counter display 19

Time data

- display 35
- selection 49

Time data type 36

- indicators 19

TRIM buttons 21

Troubleshooting 137

Two-unit synchronous playback connections 132

U

Upper control panel 13

User bit

- recording 47
- setting 41

V

VARIABLE button 23

Variable speed mode 24

VIDEO CONTROL connector 31

VIDEO IN

- button 14
- connectors 29

VIDEO knob 27

VIDEO OUT 1, 2, and 3 (SUPER) connectors 30

VITC

- field 37
- indicator 19
- switch 26

W, X

Wide screen 10

Y, Z

Y/C DELAY knob 27

Sony  line <http://www.world.sony.com/>

Sony Corporation Printed in Japan

Free Manuals Download Website

<http://myh66.com>

<http://usermanuals.us>

<http://www.somanuals.com>

<http://www.4manuals.cc>

<http://www.manual-lib.com>

<http://www.404manual.com>

<http://www.luxmanual.com>

<http://aubethermostatmanual.com>

Golf course search by state

<http://golfingnear.com>

Email search by domain

<http://emailbydomain.com>

Auto manuals search

<http://auto.somanuals.com>

TV manuals search

<http://tv.somanuals.com>