

# 2002 SONY MOBILE PRODUCT GUIDE



## XM-5150GSX 5/3 Channel Amplifier

- 880W max power
- 40W x 4 + 150W x 1 into 4 $\Omega$ , 20Hz-20kHz, @ 0.04% THD
- 60W x 4 + 180W x 1 into 2 $\Omega$ , 20Hz-20kHz, @ 0.1% THD
- 120W x 2 + 150W x 1 into 4 $\Omega$
- MOSFET Outputs
- MOSFET Power Supply
- Input Channel Selector (Front/Front + Rear)
- Variable F+R 50-300Hz Hi Pass, Sub 50-300Hz Low Pass Filter
- F+R RCA Inputs
- Indicates step-up

### Audio Power Specifications

#### POWER OUTPUT AND TOTAL HARMONIC DISTORTION

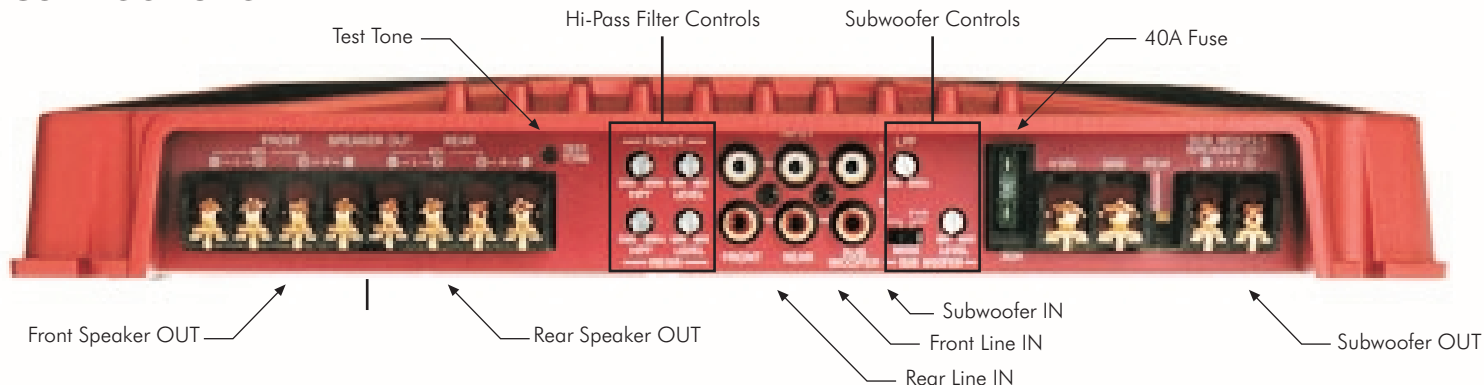
40 watts/150 watts per channel minimum continuous average power into 4 ohms, 5 channels driven from 50 Hz to 20 kHz/20 Hz to 300 Hz (subwoofer) with no more than 0.04% total harmonic distortion per Car Audio Ad Hoc Committee Standards.

### Other Specifications

Circuit system	OTL (output transformerless) circuit
Inputs	Pulse power supply
Outputs	RCA pin jacks
Speaker impedance	Speaker terminals
Maximum outputs	2 – 8 $\Omega$ (stereo) 4 – 8 $\Omega$ (when used as a bridging amplifier)
Rated outputs (supply voltage at 14.4 V)	80 watts $\times$ 4 + 300 watts $\times$ 1 (at 4 $\Omega$ )
5 Speakers:	40 watts $\times$ 4 (50 Hz – 20 kHz, 0.04% THD, at 4 $\Omega$ ) + 150 watts $\times$ 1 (20 – 300 Hz, 0.04% THD, at 4 $\Omega$ )
3 Speakers:	60 watts $\times$ 4 (50 Hz – 20 kHz, 0.1% THD, at 2 $\Omega$ ) + 180 watts $\times$ 1 (20 – 300 Hz, 0.1% THD, at 2 $\Omega$ )
Frequency response	120 watts $\times$ 2 (50 Hz – 20 kHz, 0.1% THD, at 4 $\Omega$ ) + 150 watts $\times$ 1 (20 – 300 Hz, 0.04% THD, at 4 $\Omega$ )
Harmonic distortion	5 Hz – 50 kHz ( +0 dB, -3 dB)
Input level adjustment range	0.005% or less (at 1 kHz, 4 $\Omega$ )
High-pass filter	0.2 – 6.0 V (RCA pin jacks)
Low-pass filter	50 – 300 Hz, -12 dB/oct
Power requirements	50 – 300 Hz, -12 dB/oct
Power supply voltage	12 V DC car battery (negative ground)
Current drain	10.5 – 16 V
Dimensions	at rated output: 42 A
Mass	Remote input: 1.0 mA
Supplied accessories	Approx. 358 $\times$ 50 $\times$ 264 mm (w/h/d) (14 1/8 $\times$ 2 $\times$ 10 1/2 in.) not incl. projecting parts and controls
	Approx. 3.5 kg (7 lb. 11 oz.) not incl. accessories
	Mounting screws (4)

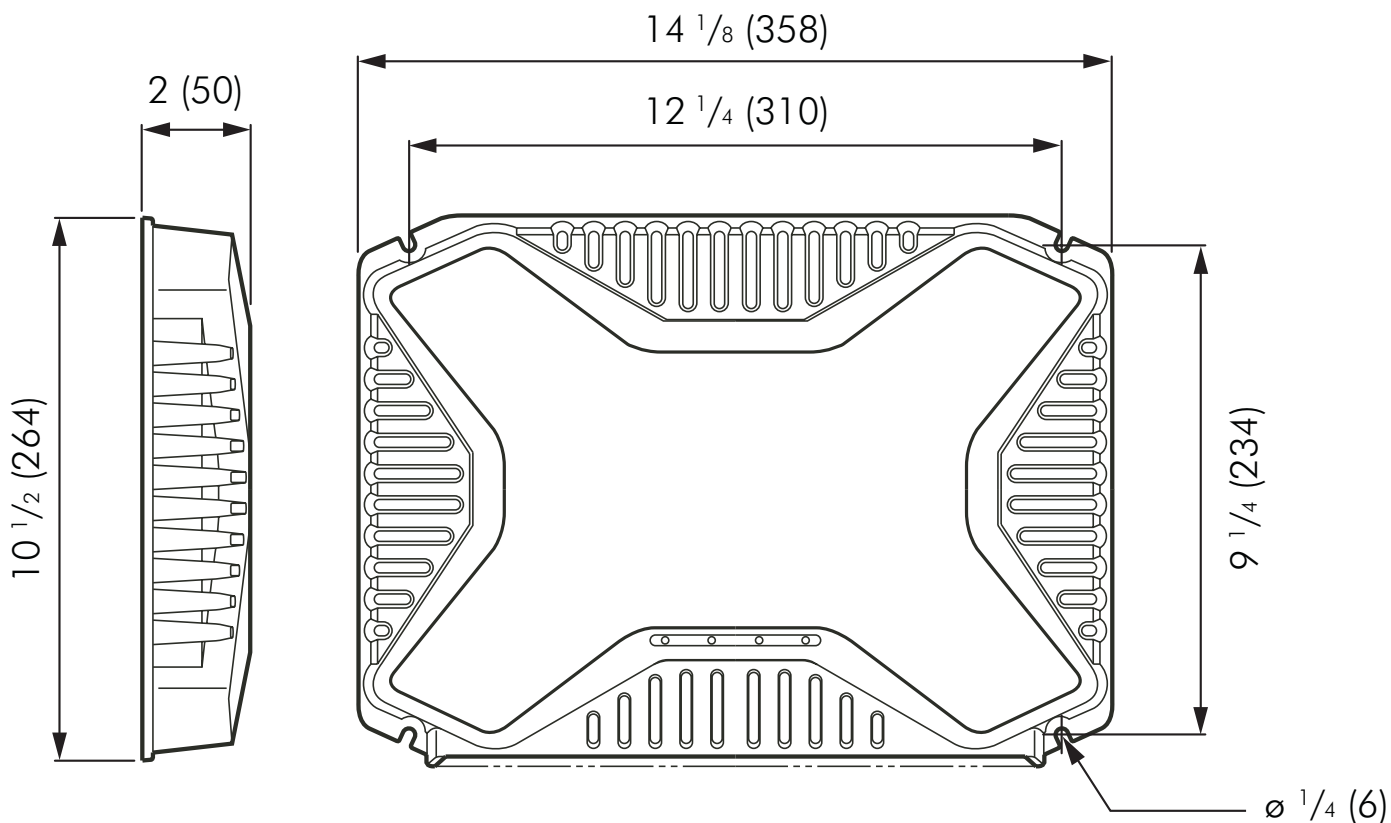
**XM-5150GSX  
5/3 Channel Amplifier**

**Connections**



**Dimensions**

**Unit: mm (in.)**



## Free Manuals Download Website

<http://myh66.com>

<http://usermanuals.us>

<http://www.somanuals.com>

<http://www.4manuals.cc>

<http://www.manual-lib.com>

<http://www.404manual.com>

<http://www.luxmanual.com>

<http://aubethermostatmanual.com>

Golf course search by state

<http://golfingnear.com>

Email search by domain

<http://emailbydomain.com>

Auto manuals search

<http://auto.somanuals.com>

TV manuals search

<http://tv.somanuals.com>