

**For Customers and Sony Dealers
in North and Central America**

Wall-Mount Bracket

Instructions _____ **US**

Mode d'emploi _____ **FR**

Instrucciones _____ **ES**

SU-PW3M

Thank you for purchasing this product.

To Customers

Sufficient expertise is required for installing this product. Be sure to subcontract the installation to Sony dealers or contractors and pay special attention to safety during the installation. Sony is not liable for any damages or injury caused by mishandling or improper installation.

WARNING

If the safety precautions are not observed or the product is used incorrectly, it may result in serious injury or fire.

This instruction manual shows the correct handling of the product and important precautions necessary to prevent accidents. Be sure to read this manual thoroughly and use the product correctly. Keep this manual available for future reference.

For Sony dealers

Sufficient expertise is required for installing this product. Be sure to read this instruction manual thoroughly to do the installation work safely. Sony is not liable for any damages or injury caused by mishandling or improper installation. Please give this manual to the customer after installation.

On Safety

Products by Sony are designed with safety in mind. If the products are used incorrectly, however, it may result in a serious injury through fire, electric shock, the product toppling over, or the product dropping. Be sure to observe the precautions for safety to prevent such accidents.

CAUTION

This Wall-Mount Bracket is intended for use only with the following products. Use with other apparatus is capable of resulting in instability causing possible injury.

Specified products (As of September 2004)

Flat-panel Color Television	KDE-37XS955 KDE-42XS955 KDE-50XS955
-----------------------------	---

When installing the TV on the Wall-Mount Bracket, make sure that the woofer speaker is securely connected to the TV.

If the woofer speaker is not connected securely, an error message will appear on the TV screen when turned on.

If an error message appears on the TV screen, the connector is not connected properly. Check that the connector is not damaged, and then reconnect the woofer speaker to the TV.

If the woofer speaker joint is not connected securely, no sound will be heard from the speaker resulting in possible damage to the TV. (An error message will appear on the TV screen if not connected securely.)

For Customers

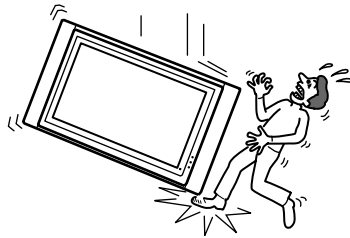
WARNING

If the following precautions are not observed, serious injury or death through fire, electric shock, the product toppling over, or the product dropping can result.

Be sure to subcontract the installation to qualified contractors and keep small children away during the installation.

If the Wall-Mount Bracket or the TV is not installed correctly, the following accidents may occur. Be sure qualified contractors carry out installation.

- The TV may fall and cause a serious injury such as a bruise or a fracture.
- If the wall on which the Wall-Mount Bracket is installed is unstable, uneven, or not perpendicular to the floor, the unit may fall and cause injury or property damage. The wall should be capable of supporting a weight of at least four times the TV weight. (See the TV installing dimensions table on page 16 for the weight of each TV.)
- If the installation of the Wall-Mount Bracket on the wall is not sufficiently sturdy, the unit may fall and cause injury or property damage.



Be sure to subcontract moving or dismantling of the TV to qualified contractors.

If persons other than qualified contractors transport or dismantle the TV, it may fall and cause injury or property damage. Be sure that two or more persons carry or dismantle the TV.

Do not spill liquid of any kind on the TV.

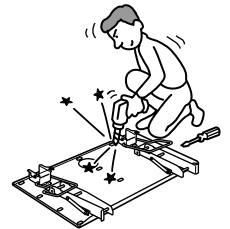
If you allow the TV to get wet, this may result in a fire or an electric shock.

Do not remove screws, etc., after mounting the TV.

If you do so, the TV may fall and cause injury or property damage.

Do not disassemble or make alterations to the parts of the Wall-Mount Bracket.

If you do so, the Wall-Mount Bracket may fall and cause injury or property damage.

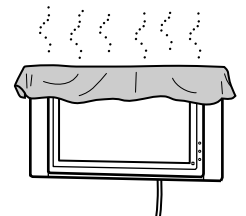


Do not mount any equipment other than the specified product.

This Wall-Mount Bracket is designed for use with the specified product only. If you mount equipment other than specified, it may fall or break, and cause injury or property damage.

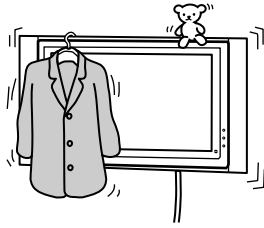
Do not cover the ventilation hole of the TV.

If you cover the ventilation hole (with a cloth, etc.), heat may build up inside and cause fire.



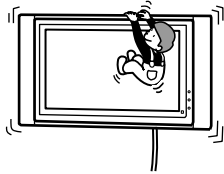
Do not apply any load other than the TV on the Wall-Mount Bracket.

If you do so, the TV may fall and cause injury or property damage.



Do not lean on or hang from the TV.

Do not lean on or hang from the TV as it may fall on you and cause serious injury.



Do not expose the TV to rain or moisture.

It may cause a fire or an electric shock.

Never place the TV in hot, humid or excessively dusty places, or in the place where the TV is subjected to mechanical vibrations.

If you do so, it may cause a fire or an electric shock.

Keep flammable objects or open flames (e.g. candles) away from the TV.

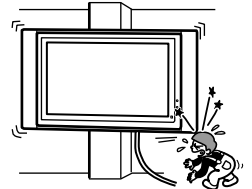
To prevent a fire, keep flammable objects or open flames (e.g. candles) away from the TV.

CAUTION

If the following precautions are not observed, injury or property damage may occur.

Do not install the Wall-Mount Bracket on wall surfaces where the corners or the sides of the TV protrude away from the wall surface.

Do not install the Wall-Mount Bracket on wall surfaces such as a pillar, where the corners or the sides of the TV protrude away from the wall surface. If a person or object happens to hit the protruded corner or side of the TV, it may cause injury or property damage.



Do not handle the product with excessive force during cleaning or maintenance.

Do not apply excessive force on the top side of the TV. If you do so, the TV may fall and cause injury or property damage.

Do not install the TV over or under an air-conditioner.

If the TV is exposed to water leaks or air current from an air-conditioner for a long time, it may cause a fire, an electric shock or a malfunction of the TV.

Precautions

- If you use the TV installed on the Wall-Mount Bracket for a long time, the wall behind or above the TV may become discolored or the wallpaper may come unstuck, depending on the material of the wall.
- If the Wall-Mount Bracket is removed after installing it on the wall, the screw holes are left.
- If you have routed 300-ohm feeder cables behind the wall, we recommend that you change them to 75-ohm coaxial cables.
If it is necessary to continue to use 300-ohm feeder cables, be sure there is sufficient space available between the TV and the feeder cables behind the wall before installing. Consult your contractor regarding an appropriate location (free from radio noise, etc.) before installing.
- Magnet influence
This TV contains a strong magnet in the speaker unit which generates magnetic influence. Keep any items that are susceptible to magnetic influence away from the TV speaker.

Install the Wall-Mount Bracket

For Sony Dealers

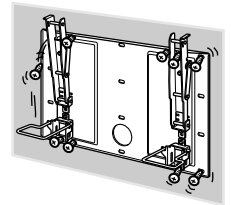
WARNING

To Sony Dealers

The following instructions are for Sony Dealers only. Be sure to read safety precautions described above and pay special attention to safety during the installation, maintenance and checking of this product.

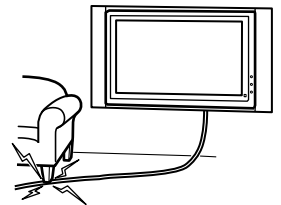
Be sure to install the Wall-Mount Bracket securely to the wall following the instructions in this instruction manual.

If any of the screws are loose or fall out, the Wall-Mount Bracket may fall and cause injury or property damage. Be sure to use the appropriate screws for the material of the wall and install the unit securely, using four or more M8 (or equivalent) screws.



Do not allow the AC power cord or the connecting cable to be pinched.

If the AC power cord or the connecting cable is pinched between the unit and the wall or is bent or twisted by force, the internal conductors may become exposed and cause a short circuit or an electrical break. This may cause a fire or an electric shock.



Be sure to use the supplied screws and attachment parts properly following the instructions given in this instruction manual. If you use substitute items, the TV may fall, and cause bodily injury to someone or damage to the TV.

Be sure to assemble the bracket properly following the instructed procedure explained in this instruction manual.

If any of the screws are loose or fall out, the TV may fall, and cause bodily injury to someone or damage to the TV.

Be sure to tighten the screws securely in the designated position.

If you fail to do so, the TV may fall, and cause bodily injury to someone or damage to the TV.

Be careful not to subject the TV to shock during installation.

If the TV is exposed to shock, it may fall or break apart. This may cause injury.

Be sure to install the TV on a wall that is both perpendicular and flat.

If you fail to do so, the TV may fall and cause injury.

After proper installation of the TV, secure the cables properly.

If people or objects get tangled in the cables, this may result in injury or damage to the TV.

Be careful not to hurt your hands or fingers during the installation.

Be careful not to hurt your hands or fingers when installing the Wall-Mount Bracket or the TV.

The screws needed to secure the Wall-Mount Bracket to the wall are not supplied.

Use the appropriate screws for the wall material and structure when mounting the Wall-Mount Bracket.

Step 1: Check the parts required for the installation

- 1 Prepare a Phillips screwdriver and the appropriate screws (four or more M8 (or equivalent) screws, not supplied), depending on the material of the wall, beforehand.

- 2 Open the package and check the parts.

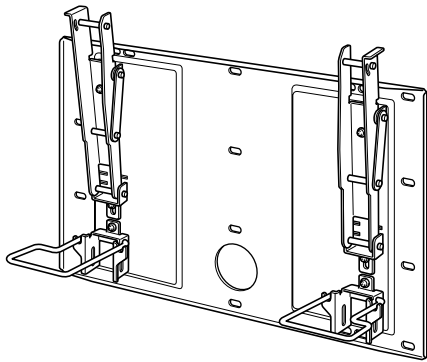
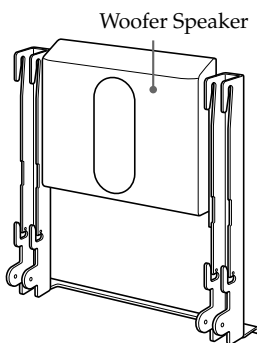


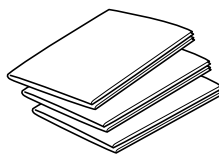
Plate Unit (1)



Mounting Rack (1)



Hook (4)



Paper Template
(1 set of 3 sheets)



Screw (+B6 × L20) (4)



Screw (+PSW5 × L14) (6)

Step 2: Decide on the installation location

- 1 Place the paper template on a perpendicular, flat wall and decide on the installation location.

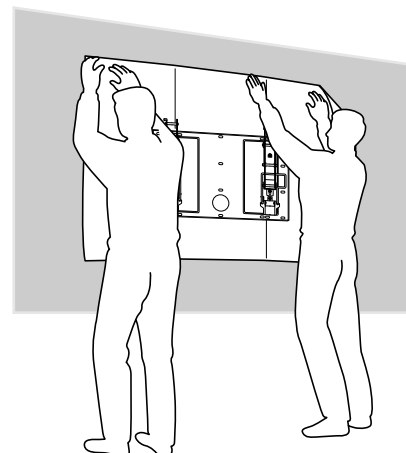
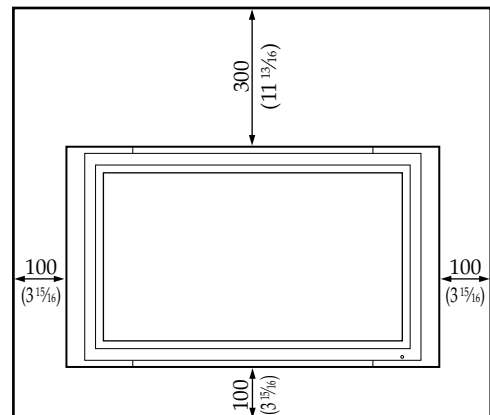
Tape the supplied 3 sheets of the paper template together with commercially available adhesive tape. For details, refer to the instructions printed on the paper template.

Allow for suitable clearance between the TV and the ceiling and protruding parts of the wall as shown in the diagram below.

Note

If you intend to route the cables in a wall, make a hole in the wall beforehand to make sure that the cables can be drawn into the wall. The position for the cable hole is printed on the paper template and on page 17.

Unit: mm (inches)



2 Referring to the paper template and on page 17, determine the positions of the screws and the cable hole (if you intend to route the cables in the wall), and work on the wall.

WARNING

The wall that the TV will be installed on should be capable of supporting a weight of at least four times that of the TV (page 16).
Make sure of the strength of the wall the TV will be installed on. Reinforce the wall sufficiently, if necessary.

Step 3: Install the Plate Unit on the wall

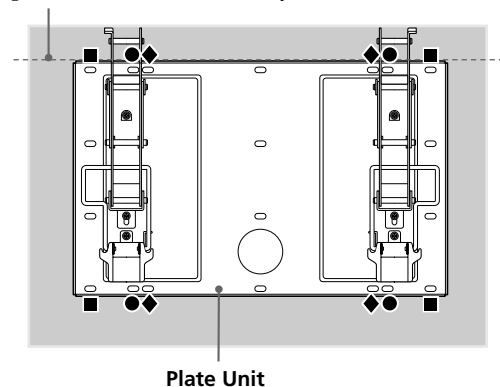
1 Fix the Plate Unit to the wall using four or more M8 (or equivalent) screws (not supplied).

Select at least four screw holes with the same mark shown in the diagram below, and tighten the screws securely so that they will not come loose.

WARNING

- The screws securing the Wall-Mount Bracket to the wall are not supplied.
- Be sure to use the appropriate screws, depending on the material and structure of the wall.
- If the Plate Unit cannot be attached securely enough, use additional screws.
- Be sure to confirm that the Plate Unit is securely fixed to the wall.

Align the unit so that it is exactly level.



2 Adjust the angle of the stabilizer arms.

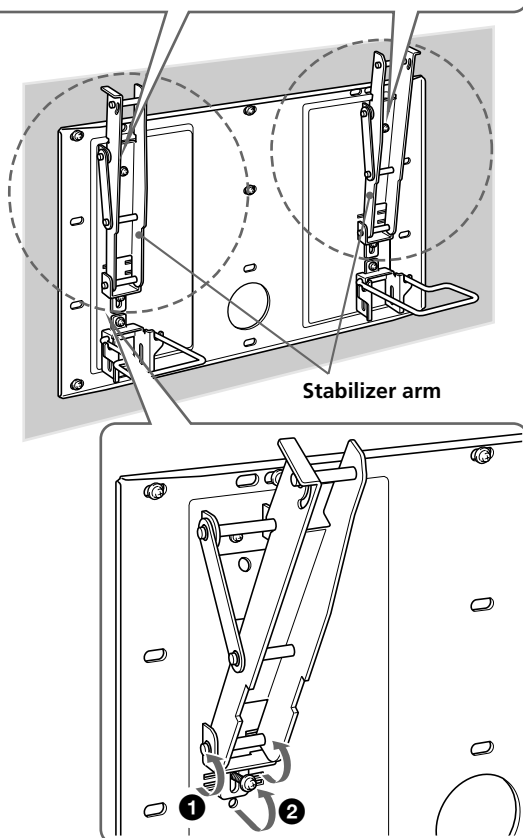
When installing the TV perpendicularly (0 degrees), adjustment of the arms angle (Procedure 1 and 2 below) is not necessary. Make sure that each stabilizer arm is screwed in securely.

- 1 Remove the screws that are at the top and bottom center of the both stabilizer arms. Then choose the notch corresponding to the desired angle (5,10,15 or 20 degrees) and fit the stabilizer arm to it.
- 2 Firmly secure each stabilizer arm using the screws removed in Procedure 1.

Notes

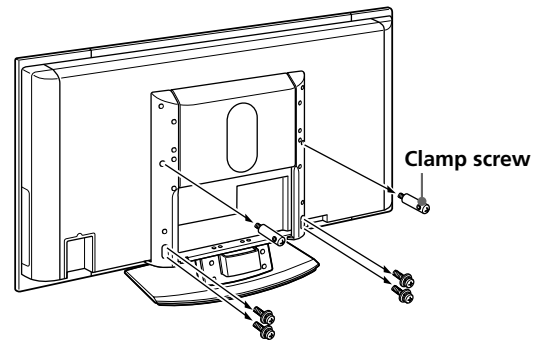
- Be sure to adjust the angles of the right and left arms to the same angle.
- Be careful not to pinch your fingers when adjusting the angle of arms.
- When using an electric screwdriver, set the torque setting to approximately 2 N·m.

- 0 degrees: Leave the white screws tightened as they are.
- Other than 0 degrees: Remove the white screws.

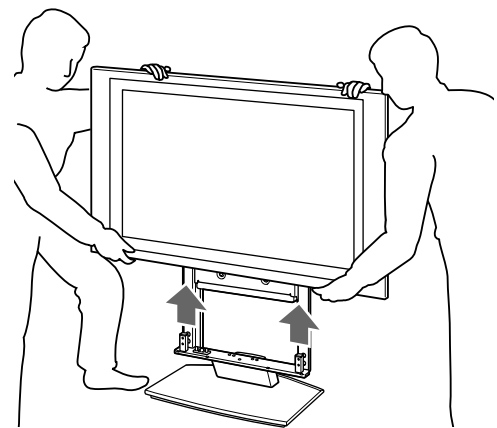


Step 4: Prepare for the installation of the TV

1 Remove the screws that hold the TV to the Tabletop Stand.



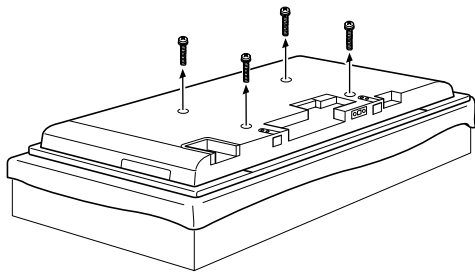
2 Detach the TV from the Tabletop Stand, and place the TV, with its screen facing down on a Stable, cloth-covered work surface, at least 20 cm (8 in.) off the floor.



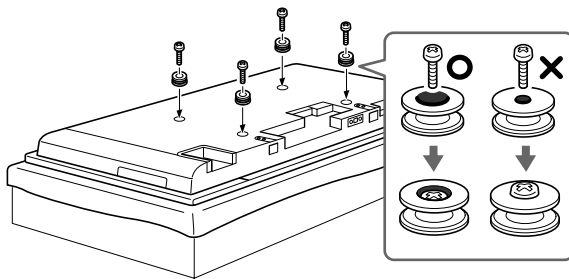
Note

Be sure that two or more persons hold the TV when carrying it. Do not hold the transparent parts at either the top or bottom of the TV.

3 Remove four screws on the rear side of the TV.



4 Attach the supplied four hooks with the four supplied screws (+PSW5 × L14).



Notes

- When using an electric screwdriver, set the torque setting to approximately 2 N·m.
- Do not place the TV face down for an extended period as damage may occur to the front surface.

Step 5: Install the TV

WARNING

Be sure to complete the installation before connecting the AC power cord to the wall outlet. If you allow the AC power cord to be pinched under or between pieces of equipment, this may result in a short circuit or an electric shock.

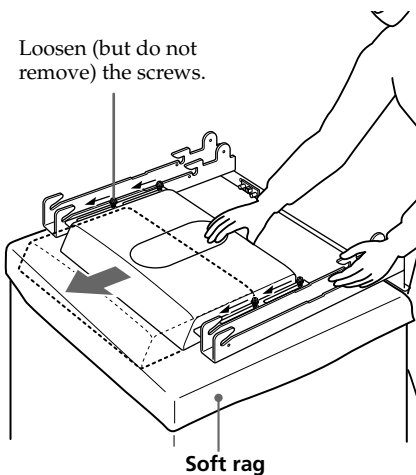
Be careful not to stumble over the AC power cord or the TV, as you may hurt yourself.

1

When installing a 50-inch TV on the Wall-Mount Bracket SU-PW3M, you need to change the position of the woofer speaker.

Changing the position of the woofer speaker.

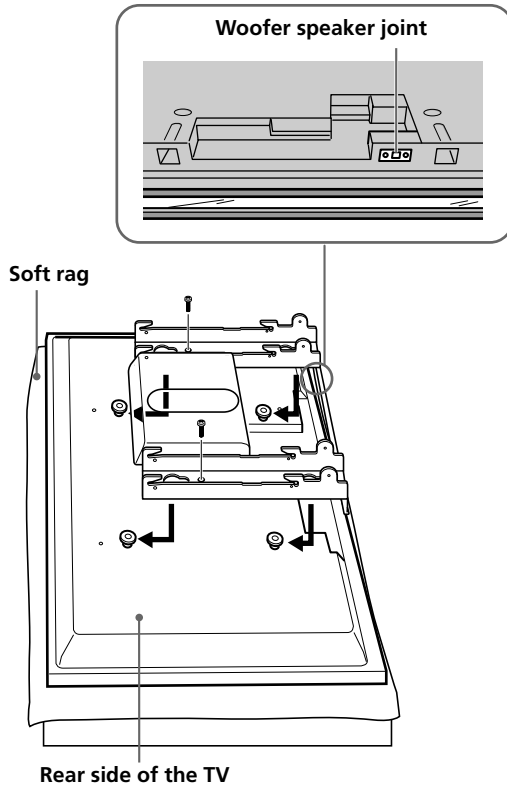
- 1 Loosen the four screws (two on each side of the strut arms) used to secure the woofer speaker in place about three turns.
- 2 Slide the woofer speaker upward completely as shown below.
- 3 Retighten the four screws (loosened in step 1) to secure the woofer speaker.



Note

If you fail to slide the woofer speaker completely in step 2, the woofer speaker joint locating at the center bottom of the rear side of the TV and ventilation holes will be blocked resulting in product damage.

- 2** Hitch the Mounting Rack on the hooks on the rear side of the TV. Then slide the Mounting Rack and fix it using the supplied screws (+PSW5 × L14).



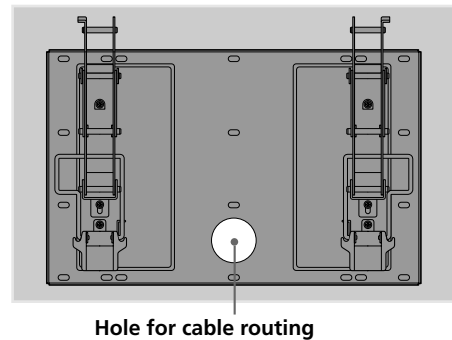
Note

The woofer speaker joint is located on the lower right part of the Mounting Rack. When sliding the Mounting Rack, make sure that the woofer speaker is securely connected to the TV.

- 3** Connect the AC power cord and the connecting cable(s) supplied with the TV to the TV.

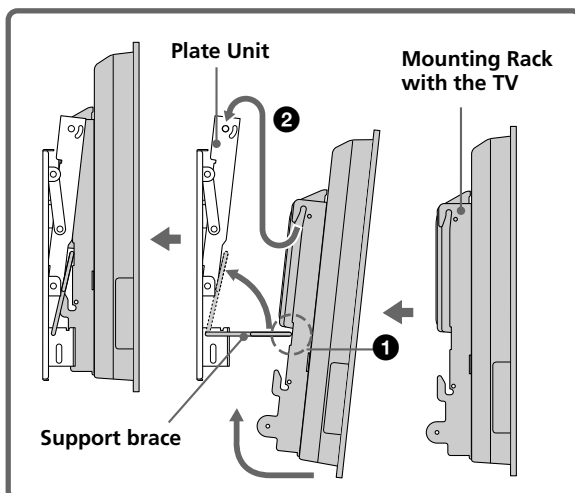
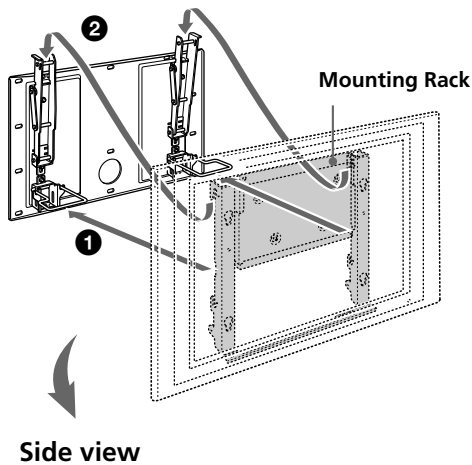
Connect the AC power cord and the connecting cable(s) to the connectors on the rear side of the TV. For details on connecting the AC power cord and the connecting cable(s), refer to the instruction manual of the TV.

When you route the cable and the cord in the wall, feed them through the hole you bored (page 17).

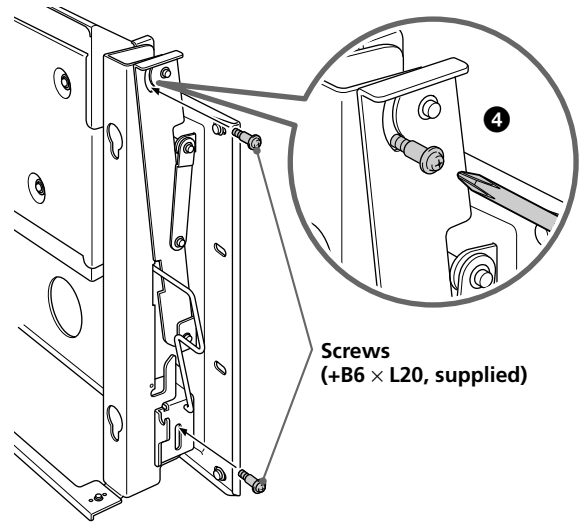


4 Install the Mounting Rack (with the TV) onto the Plate Unit.

- 1 Hold the Mounting Rack so that the two center notches on either side touch the support braces of the Plate Unit.
- 2 Gradually lift the Mounting Rack and TV upward keeping the center notches engaged with the support braces of the Plate Unit. Hitch the upper left and right hooks of the Mounting Rack onto the anchor bars at the top of the left and right stabilizer arms of the Plate Unit.
- 3 Confirm the four upper hooks are firmly hooked onto the two anchor bars of the Plate Unit and that the support braces are secured in the center notches of the Mounting Rack.
- 4 Firmly tighten all four upper and lower screws (+B6 × L20, supplied) on each side of the Mounting Rack.



Right side



Confirm the completion of the installation

Check the following points.

- Four upper hooks of the Mounting Rack are firmly hooked onto the two anchor bars of the Plate Unit.
- The cord and the cable are not twisted or pinched.
- All the securing screws (+B6 × L20, supplied) are tightened.

WARNING

Incomplete installation may cause the product falling and result in injury or product damage. Also, improper placement of the AC power cord, etc., may cause fire or electric shock through a short circuit. Be sure to confirm the completion of the installation for safety.

Check the operation of the woofer speaker

This Wall-Mount Bracket is equipped with a woofer speaker. After installing the Mounting Rack (with the TV) onto the Plate Unit, turn on the power switch of the TV and check if the woofer speaker is operating properly. If the TV is not installed on the Mounting Rack properly, no sound will be heard from the woofer speaker, or an error message will appear on the TV screen after a while.

Note

Depending on the environment where you install the Wall-Mount Bracket, the woofer speaker may produce a strong bass sound. If the bass sound is too strong, adjust the sound quality to your preference in woofer level setting from the TV's menu option. See the instruction manual of the TV for more details on adjusting the sound quality.

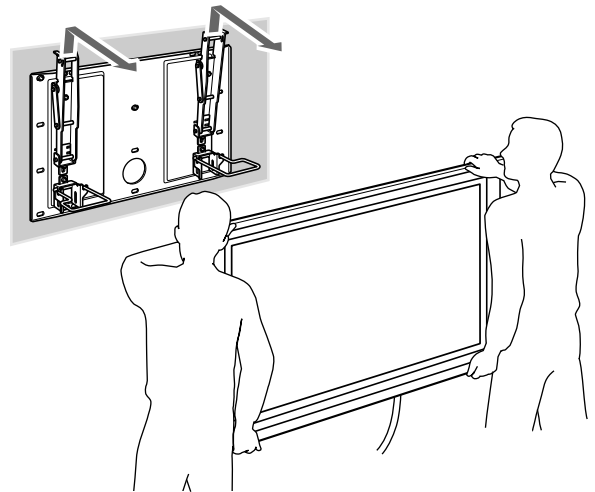
Remove the TV

For Sony Dealers

- 1 Unplug the AC power cord from the wall outlet.
- 2 Remove all four securing screws secured in step ④ of procedure 4 on page 12.
- 3 Be sure that two or more persons hold the TV and slide it upward to remove the TV.

WARNING

- Be sure that two or more persons hold the TV when carrying it.
- Be careful not to allow the cords and cables to get hung up when removing the TV.
- Be careful not to hurt your hands or fingers when removing the TV.



Note

Always hold the TV by the non-transparent parts at the top and bottom of the TV when carrying it.

Connect the external equipment cables to the TV after installation

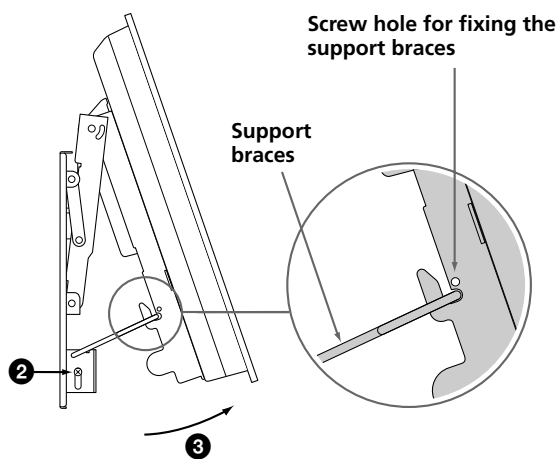
For Customers, Sony Dealers

1 Tilt the TV upward.

- 1 Unplug the AC power cord.
- 2 Unfasten the two securing screws at the bottom of the Mounting Rack (page 12).
- 3 Hold the bottom left and right of the TV and gradually lift it upward.

Notes

- Do not hold the transparent part of the TV.
 - Do not let go of the TV while lifting it, otherwise the TV may hit the wall and cause damage.
- 4 Confirm the two support braces of the Plate Unit are locked into the bottom left and right hooks on either side of the Mounting Rack.
 - 5 Insert the screws removed in the step 2 into the screw holes on the outer sides of the bottom left and right hooks of the Mounting Rack and tighten firmly to lock the support braces.



2 Connect external equipment cables to the TV.

3 Restore the TV to the non-tilted position.

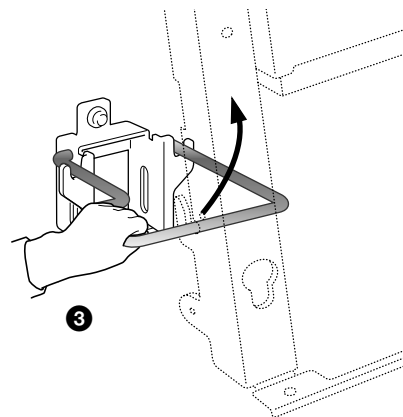
- 1 Unfasten the screws tighten at the outer sides of the bottom left and right hooks of the Mounting Rack in step 5 of procedure 1.
- 2 Hold the bottom left and right of the TV and pull it out toward you so that the support braces are unlocked from the bottom hooks on the Mounting Rack.

Notes

- Do not hold the transparent part of the TV.
 - Do not let go of the TV while lifting it, otherwise the TV may hit the wall and cause damage.
- 3 Grasp the protruding part of the support braces with your other hand and slide it upward so that the support braces and the TV are restored in the untilted position.
 - 4 Tighten the securing screws.
 - 5 Confirm that all the cables connected to the TV are not twisted or pinched, and then plug in the AC power cord.

WARNING

- Be sure two or more people do this work.
- Be careful not to pinch your hands or fingers.



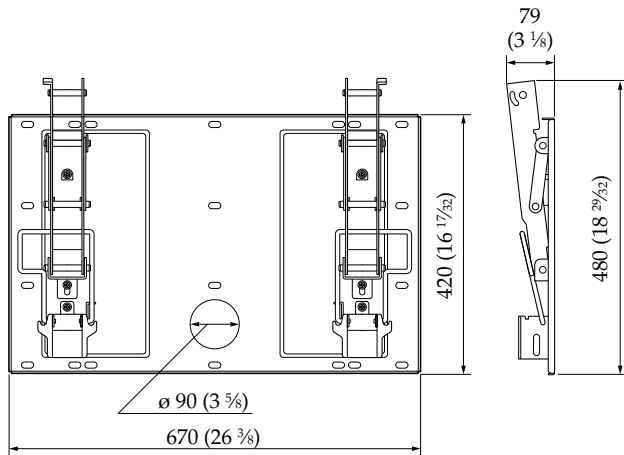
Specifications

Unit: mm (inches)

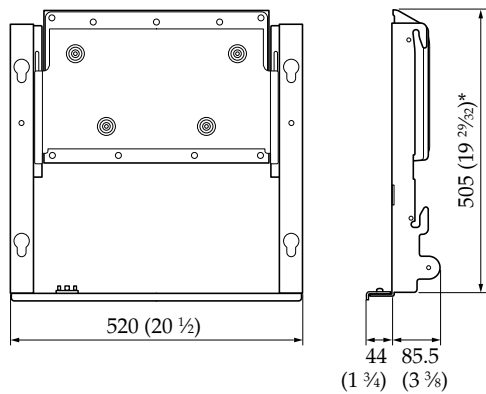
Weight: 15.0 kg (33 lb 1 oz)

Design and specifications are subject to change without notice.

PLATE UNIT



MOUNTING RACK

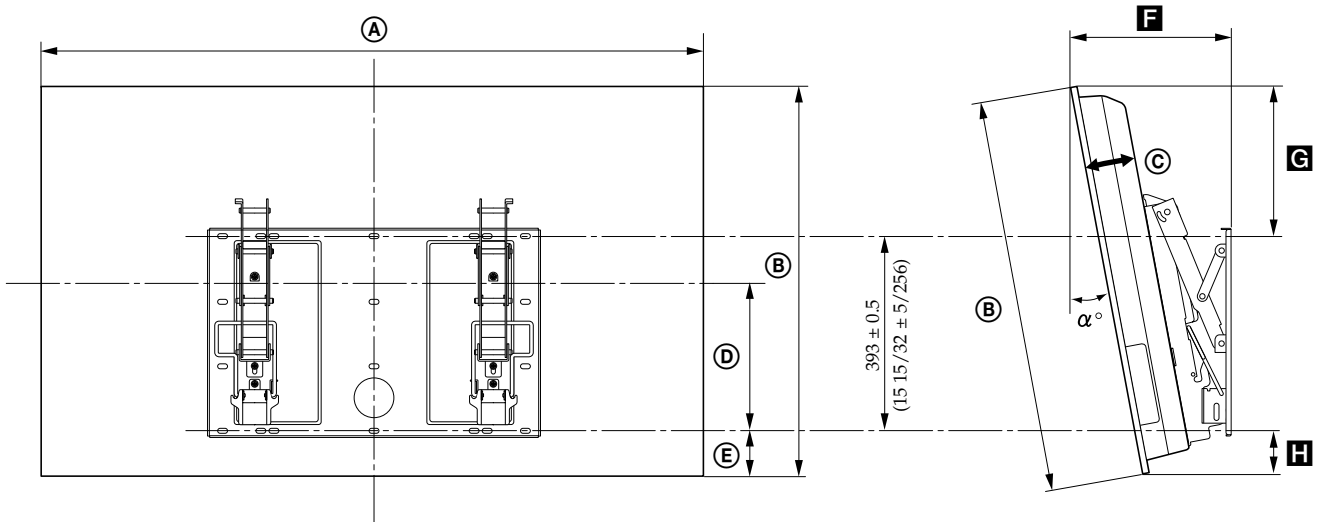


* When changing the position of the woofer speaker for installing a 50-inch TV: 590 (23 1/4)

SPEAKER

Speaker unit	10 cm (2)
Impedance	4 Ω
Max. power	50 W

TV installing dimensions table

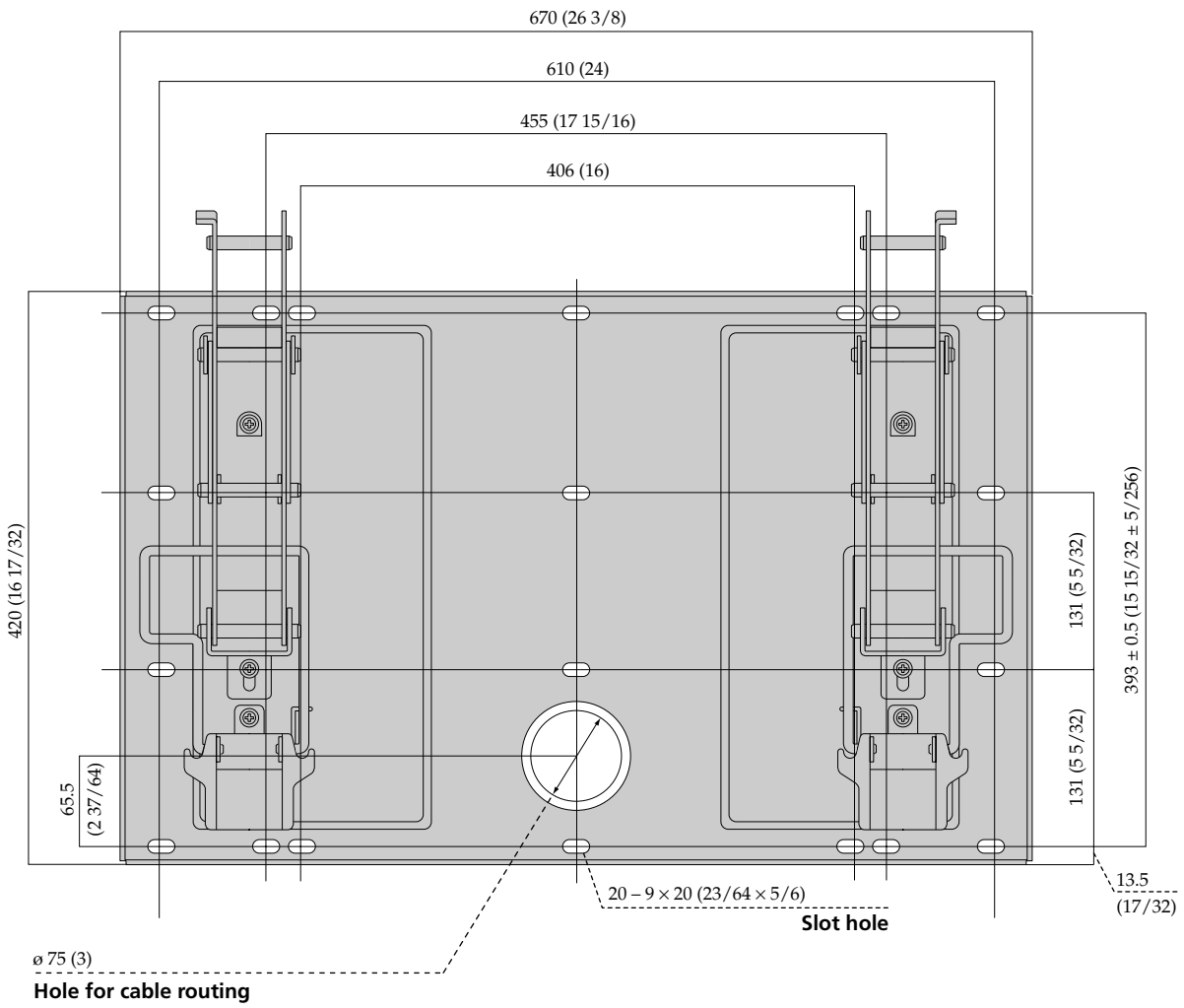


TV Model	TV Dimensions					Length for each mounting angle				Weight	
	①	②	③	④	⑤	Mounting angle (α°)	⑥	⑦	⑧	Weight	(× 4)*
KDE-37XS955	1048 (41 9/32)	599 (23 19/32)	89 (3 1/2)	246 (9 23/32)	58 (2 5/16)	0°	185 (7 5/16)	148 (5 27/32)	58 (2 5/16)	36kg 72lb 5oz	144kg 317lb 3oz
						5°	228 (9)	136 (5 3/8)	68 (2 11/16)		
						10°	270 (10 21/32)	122 (4 13/16)	76 (3)		
						15°	309 (12 3/16)	106 (4 3/16)	82 (3 1/4)		
						20°	346 (13 5/8)	88 (3 15/32)	84 (3 5/16)		
KDE-42XS955	1139 (44 27/32)	672 (26 15/32)	89 (3 1/2)	283 (11 5/32)	58 (2 5/16)	0°	185 (7 5/16)	221 (8 23/32)	58 (2 5/16)	42kg 92lb 8oz	168kg 370lb 1oz
						5°	235 (9 9/32)	209 (8 1/4)	68 (2 11/16)		
						10°	282 (11 1/8)	194 (7 21/32)	76 (3)		
						15°	328 (12 15/16)	176 (6 15/16)	82 (3 1/4)		
						20°	371 (14 5/8)	157 (6 3/16)	84 (3 5/16)		
KDE-50XS955	1336 (52 5/8)	789 (31 1/16)	89 (3 1/2)	343 (13 1/2)	56 (2 7/32)	0°	185 (7 5/16)	340 (13 13/32)	56 (2 7/32)	54kg 119lb 1oz	216kg 476lb 4oz
						5°	245 (9 21/32)	327 (12 7/8)	66 (2 5/8)		
						10°	303 (11 15/16)	310 (12 7/32)	74 (2 15/16)		
						15°	359 (14 5/32)	291 (11 15/32)	80 (3 5/32)		
						20°	412 (16 1/4)	268 (10 9/16)	83 (3 9/32)		

* The wall that the TV will be installed on should be capable of supporting a weight of at least four times that of the TV.

Wall processing dimensions diagram

Unit: mm (inches)



Nous vous remercions d'avoir fait l'acquisition de ce produit.

À l'attention des clients

Une certaine expérience est requise pour installer ce produit. Confiez l'installation à un détaillant Sony ou à un autre professionnel et portez une attention particulière aux consignes de sécurité pendant l'installation. Sony ne saurait être tenue responsable de tout dommage ou de toute blessure découlant d'une mauvaise utilisation ou d'une installation incorrecte.

AVERTISSEMENT

Le non-respect des consignes de sécurité ou l'utilisation incorrecte de ce produit peut provoquer un incendie ou des blessures graves.

Ce mode d'emploi indique comment manipuler le produit correctement et contient des précautions essentielles à prendre pour éviter tout accident. Lisez attentivement ce mode d'emploi et veillez à utiliser le produit correctement. Conservez ce mode d'emploi pour toute référence ultérieure.

À l'attention des détaillants Sony

Une certaine expérience est requise pour installer ce produit. Lisez ce mode d'emploi attentivement afin de procéder à l'installation en toute sécurité. Sony ne saurait être tenue responsable de tout dommage ou de toute blessure découlant d'une mauvaise utilisation ou d'une installation incorrecte. Une fois l'installation terminée, veuillez remettre ce manuel d'installation au client.

Sécurité

Les produits Sony sont conçus pour vous offrir le maximum de sécurité.

Toutefois, si les produits sont utilisés de façon incorrecte, ils peuvent entraîner des blessures graves en provoquant un incendie ou l'électrocution, ou la chute de l'appareil hors de son support. Veillez à observer les consignes de sécurité préconisées pour éviter de tels accidents.

ATTENTION

Ce support de fixation murale est conçu pour être utilisé exclusivement avec les produits suivants. D'autres appareils utilisés avec ce support peuvent être instables et entraîner des blessures.

Produits spécifiés (à compter de septembre 2004)

Téléviseur couleur à écran plat	KDE-37XS955 KDE-42XS955 KDE-50XS955
---------------------------------	---

Lorsque vous installez le téléviseur sur le support de fixation murale, assurez-vous que le haut-parleur d'extrêmes graves est bien raccordé au téléviseur.

Si le haut-parleur d'extrêmes graves n'est pas raccordé correctement au téléviseur, un message d'erreur s'affiche sur l'écran du téléviseur lors de la mise sous tension de celui-ci.

Si un message d'erreur s'affiche sur l'écran du téléviseur, le connecteur n'est pas raccordé correctement. Assurez-vous qu'il n'est pas endommagé, puis rebranchez le haut-parleur d'extrêmes graves au téléviseur.

Si le connecteur du haut-parleur d'extrêmes graves n'est pas correctement branché, aucun son n'est audible depuis ce dernier et le téléviseur risque d'être endommagé. (Un message d'erreur s'affiche sur l'écran du téléviseur si le raccordement est incorrect.)

À l'attention des clients

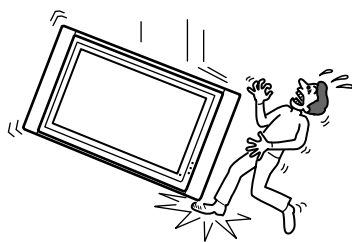
AVERTISSEMENT

Le non-respect des consignes suivantes peut être fatal ou entraîner des blessures graves en provoquant un incendie ou l'électrocution, ou la chute de l'appareil hors de son support.

Confiez l'installation à des professionnels qualifiés et tenez les enfants à l'écart pendant l'installation.

Si le support de fixation murale ou le téléviseur n'est pas installé correctement, les accidents suivants peuvent se produire. Confiez l'installation à des professionnels qualifiés.

- Le téléviseur peut tomber et causer des blessures graves comme des hématomes ou des fractures.
- Si le mur sur lequel le support de fixation murale est fixé est instable, inégal ou non perpendiculaire au sol, l'appareil risque de tomber et de provoquer des blessures ou des dommages matériels. Le mur doit pouvoir supporter un poids équivalent à au moins quatre fois le poids du téléviseur. (Reportez-vous au tableau des dimensions d'installation du téléviseur à la page 16 pour obtenir le poids de chaque téléviseur.)
- Si l'installation du support de fixation murale n'est pas assez solide, l'appareil risque de tomber et de provoquer des blessures ou des dommages matériels.



Confiez le déplacement ou le démontage du téléviseur à des professionnels qualifiés.

Si des personnes autres que des professionnels qualifiés transportent ou démontent le téléviseur, celui-ci peut tomber et provoquer des blessures ou des dommages matériels. Deux personnes au moins doivent porter ou démonter le téléviseur.

Ne renversez aucun liquide sur le téléviseur.

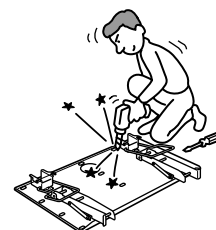
Si le téléviseur est mouillé, un incendie ou l'électrocution pourrait se produire.

Ne retirez pas les vis, etc. après l'installation du téléviseur.

Dans ce cas, le téléviseur pourrait tomber et provoquer des blessures ou des dommages matériels.

Ne démontez pas et ne modifiez pas les pièces du support de fixation murale.

Dans ce cas, le support de fixation murale pourrait tomber et provoquer des blessures ou des dommages matériels.

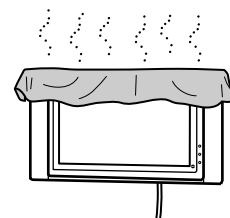


N'installez aucun appareil autre que ceux spécifiés.

Ce support de fixation murale est conçu pour être utilisé avec les produits spécifiés uniquement. Si vous installez un appareil autre que ceux qui sont spécifiés, il pourrait tomber ou se briser et provoquer des blessures ou des dommages matériels.

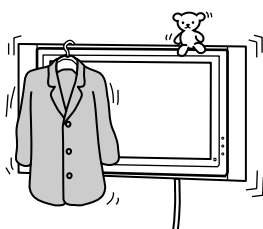
Ne couvrez pas les orifices de ventilation du téléviseur.

Si vous couvrez les orifices de ventilation (avec du tissu ou autre matériau), l'appareil pourrait surchauffer et provoquer un incendie.



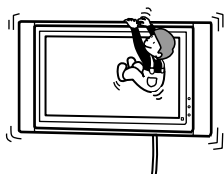
N'installez aucune charge autre que le téléviseur sur le support de fixation murale.

Dans ce cas, le téléviseur pourrait tomber et provoquer des blessures ou des dommages matériels.



Ne vous appuyez pas sur le téléviseur et ne vous y suspendez pas.

Ne vous appuyez pas sur le téléviseur et ne vous y suspendez pas, car il risque de tomber et de causer des blessures graves.



N'exposez pas le téléviseur à la pluie ou à l'humidité.

Dans ce cas, un incendie ou l'électrocution pourrait se produire.

N'installez jamais le téléviseur dans un endroit extrêmement chaud, humide ou poussiéreux ou dans un endroit où il serait soumis à des vibrations mécaniques.

Dans ce cas, un incendie ou l'électrocution pourrait se produire.

Tenez les objets inflammables et les flammes nues (bougie, etc.) à l'écart du téléviseur.

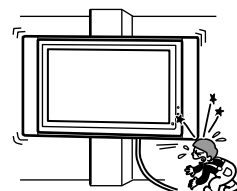
Pour éviter les risques d'incendie, ne placez pas d'objets inflammables ni de corps incandescents (une bougie, par exemple) à proximité du téléviseur.

ATTENTION

Le non-respect des consignes suivantes peut entraîner des blessures ou des dommages matériels.

N'installez pas le support de fixation murale sur une surface où les coins ou les côtés du téléviseur dépasseraient.

N'installez pas le support de fixation murale sur une surface verticale telle qu'une colonne, où les coins ou les côtés du téléviseur dépasseraient de la surface murale. Si une personne ou un objet venait à heurter le coin ou les côtés du téléviseur, ceci risquerait de provoquer des blessures ou des dommages matériels.



N'appliquez aucune force excessive sur le produit au cours de l'entretien ou du nettoyage de l'appareil.

N'exercez aucune pression excessive sur le dessus du téléviseur. Dans ce cas, le téléviseur pourrait tomber et provoquer des blessures ou des dommages matériels.

N'installez pas le téléviseur sur ou sous un climatiseur.

L'exposition prolongée du téléviseur à des fuites d'eau ou à des courants d'air provenant du climatiseur pourrait provoquer un incendie, l'électrocution ou des problèmes de fonctionnement du téléviseur.

Précautions

- Si vous utilisez le téléviseur fixé au support de fixation murale pendant une longue période, le mur situé derrière le téléviseur ou au-dessus de celui-ci peut se décolorer, ou encore le papier peint peut se décoller, selon le matériau du mur.
- Les trous des vis restent apparents si vous démontez le support de fixation murale après son installation.
- Si vous avez fait passer des câbles d'alimentation de 300 ohms dans les parois murales, nous vous recommandons de les remplacer par des câbles coaxiaux de 75 ohms.
Toutefois, s'il est nécessaire de continuer à utiliser des câbles d'alimentation de 300 ohms, un espace suffisamment important doit être prévu entre le téléviseur et les câbles d'alimentation dans les parois murales avant de procéder à l'installation. Avant de procéder à l'installation, consultez votre installateur pour choisir un emplacement approprié (où le téléviseur ne subira aucune interférence radio, etc.).
- **Champ magnétique**
Cet appareil comporte un aimant puissant installé dans le haut-parleur et qui génère un fort champ magnétique. Tenez tout objet sensible aux champs magnétiques à l'écart du haut-parleur du téléviseur.

Installation du support de fixation murale

À l'attention des détaillants Sony

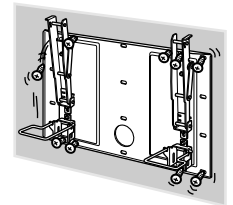
AVERTISSEMENT

À l'attention des détaillants Sony

Les instructions suivantes concernent les détaillants Sony uniquement. Lisez attentivement les consignes de sécurité ci-dessus et accordez une attention particulière à la sécurité lors de l'installation, de l'entretien et de la vérification de ce produit.

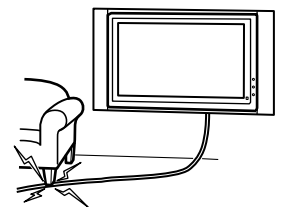
Veillez à installer le support de fixation murale solidement en suivant les instructions de ce mode d'emploi.

S'il manque des vis ou si elles sont desserrées, le support de fixation murale pourrait tomber et provoquer des blessures ou des dommages matériels. Veillez à utiliser les vis appropriées selon le matériau du mur et installez l'appareil solidement en utilisant au moins quatre vis M8 (ou équivalentes).



Veillez à ce que le cordon d'alimentation CA ou le câble de raccordement ne soit pas coincé ni écrasé.

Si le cordon d'alimentation CA ou le câble de raccordement est coincé entre l'appareil et le mur, ou s'il est plié ou tordu, les conducteurs internes peuvent être exposés et provoquer un court-circuit ou une coupure électrique. Un incendie ou l'électrocution pourrait en résulter.



Veillez à utiliser correctement les vis et les pièces de fixation fournies conformément aux instructions du mode d'emploi. Si vous utilisez d'autres éléments de fixation, le téléviseur pourrait tomber et causer des blessures corporelles ou être endommagé.

Veillez à monter le support correctement en suivant la procédure décrite dans ce mode d'emploi.

Si il manque des vis ou si elles sont desserrées, le téléviseur pourrait tomber et causer des blessures corporelles ou être endommagé.

Veillez à serrer les vis solidement dans la position indiquée.

Sinon, le téléviseur pourrait tomber et causer des blessures corporelles ou être endommagé.

Veillez à ne pas soumettre le téléviseur à des chocs pendant l'installation.

Si le téléviseur subit des chocs, il pourrait tomber ou se briser. Ceci pourrait causer des blessures.

Veillez à installer le téléviseur sur un mur parfaitement vertical et plat.

Dans le cas contraire, le téléviseur pourrait tomber et provoquer des blessures.

Une fois le téléviseur installé correctement, fixez solidement les câbles.

Si des personnes ou des objets se prennent dans les câbles, ceci risque de provoquer des blessures ou d'endommager le téléviseur.

Faites attention afin de ne pas vous blesser les mains ou les doigts au cours de l'installation.

Prenez garde à ne pas vous blesser les mains ou les doigts pendant l'installation du support de fixation murale ou du téléviseur.

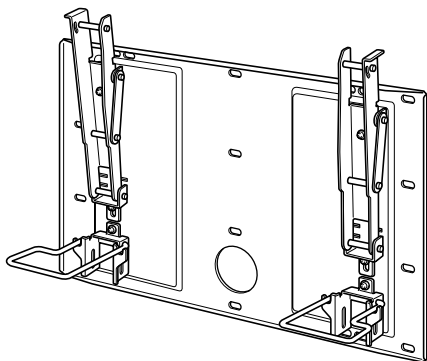
Les vis nécessaires à l'installation du support de fixation murale au mur ne sont pas fournies.

Utilisez les vis appropriées selon le matériau et la structure du mur lors du montage du support de fixation murale.

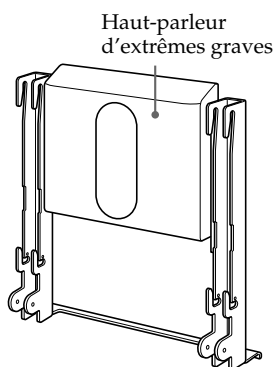
Étape 1 : Vérification des pièces requises pour l'installation

1 Préparez un tournevis cruciforme et les vis appropriées (au moins quatre vis M8 ou équivalentes, non fournies), selon le matériau du mur.

2 Ouvrez l'emballage et vérifiez les pièces.



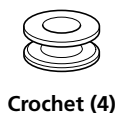
Plaque (1)



Châssis (1)



Vis (+B6 × L20) (4)



Crochet (4)

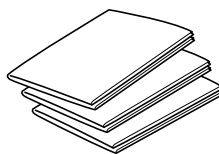


Schéma (3 feuilles)



Vis (+PSW5 × L14) (6)

Étape 2 : Choix de l'emplacement d'installation

1 Placez le schéma sur un mur parfaitement vertical et plat et choisissez l'emplacement.

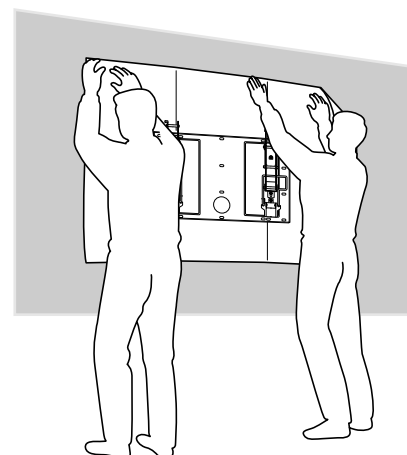
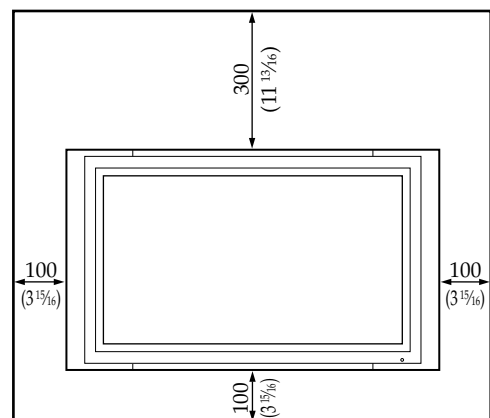
Fixez les trois feuilles du schéma ensemble à l'aide de ruban adhésif. Pour plus de détails, reportez-vous aux instructions imprimées sur le schéma.

Laissez un espace suffisant entre le téléviseur et le plafond et les parties saillantes du mur, tel qu'indiqué dans l'illustration ci-dessous.

Remarque

Si vous comptez faire passer les câbles dans la paroi murale, percez un trou dans le mur au préalable pour vous assurer que les câbles peuvent passer dans le mur. L'emplacement du trou d'acheminement des câbles est indiqué sur le schéma et à la page 17.

Unités : mm (pouces)



2 Selon le schéma au mur et l'illustration de la page 17, déterminez les emplacements des vis et du trou d'acheminement des câbles (si vous souhaitez faire passer les câbles dans la paroi murale) et marquez-les sur le mur.

AVERTISSEMENT

Le mur sur lequel vous installez le téléviseur doit pouvoir supporter un poids équivalent à au moins quatre fois le poids du téléviseur (page 16). Vérifiez la solidité du mur sur lequel vous installez le téléviseur. Au besoin, renforcez le mur.

Étape 3 : Installation de la plaque sur le mur

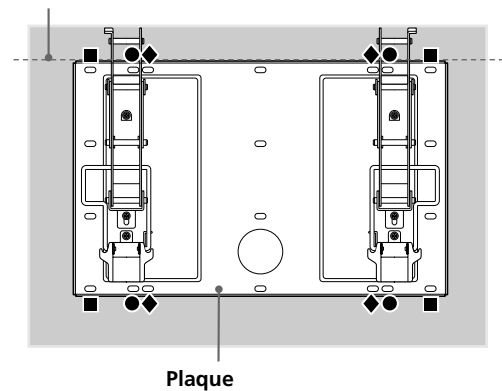
1 Fixez la plaque au mur à l'aide de quatre vis (ou plus) de type M8 (ou équivalentes), non fournies.

Choisissez au moins quatre trous de vis portant la même marque dans le schéma ci-dessous et vissez-y solidement les vis afin qu'elles ne se desserrent pas.

AVERTISSEMENT

- Les vis nécessaires à la fixation du support de fixation murale au mur ne sont pas fournies.
- Veillez à utiliser les vis appropriées selon le matériau et la structure du mur.
- Si la plaque n'est pas fixée assez solidement, utilisez des vis supplémentaires.
- Vérifiez que la plaque est fixée solidement au mur.

Alignez la plaque afin qu'elle soit parfaitement horizontale.



2 Réglez l'angle des bras stabilisateurs.

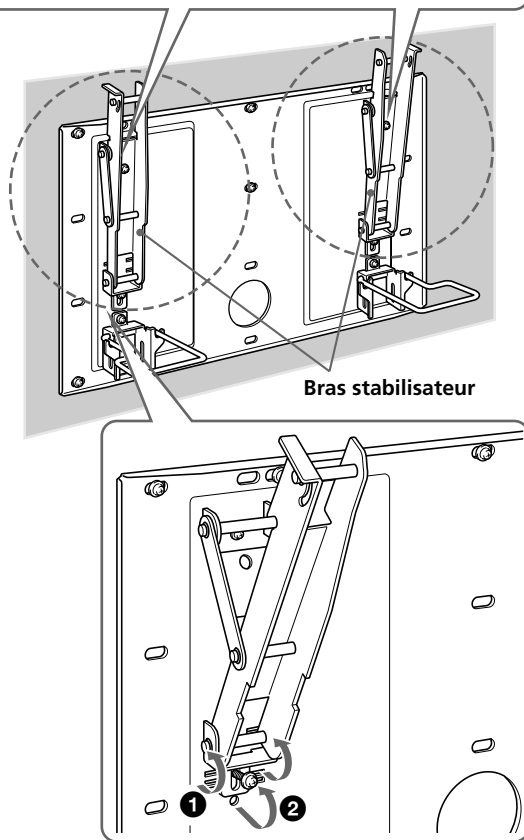
Lors de l'installation du téléviseur en position perpendiculaire (0 degré), le réglage de l'angle des bras stabilisateurs (étapes 1 et 2 ci-dessous) n'est pas nécessaire. Vérifiez que chaque bras stabilisateur est vissé solidement.

- 1 Retirez les vis situées dans la partie centrale supérieure et inférieure des deux bras stabilisateurs. Choisissez le cran d'arrêt correspondant à l'angle souhaité (0, 5, 10, 15 ou 20 degrés) et fixez-y chacun des bras stabilisateurs.
- 2 Fixez solidement chaque bras stabilisateur à l'aide des vis retirées à l'étape 1.

Remarques

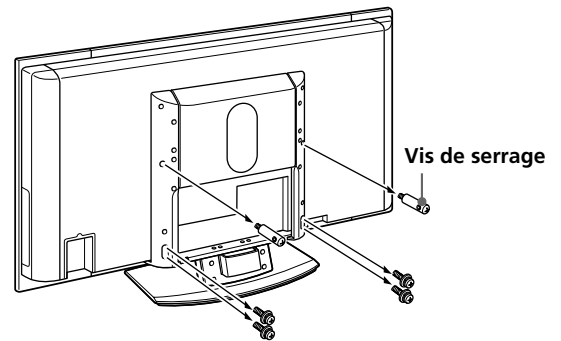
- Veillez à régler les bras stabilisateurs droit et gauche au même angle.
- Faites attention à ne pas vous pincer les doigts lors du réglage de l'angle des bras.
- Si vous utilisez un tournevis électrique, réglez le couple à environ 2 N·m.

- 0 degré : laissez les vis blanches bien serrées.
- Plus de 0 degré : retirez les vis blanches.

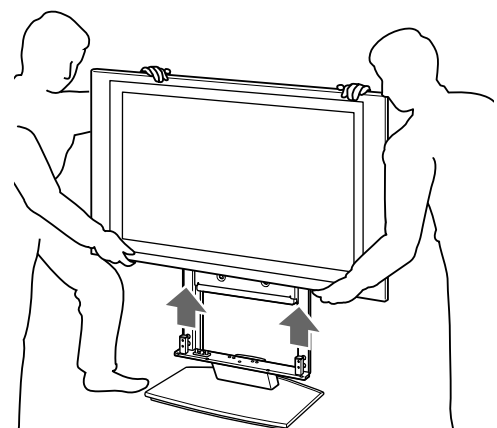


Étape 4 : Préparation pour l'installation du téléviseur

- 1 Retirez les vis retenant le téléviseur au support de table.



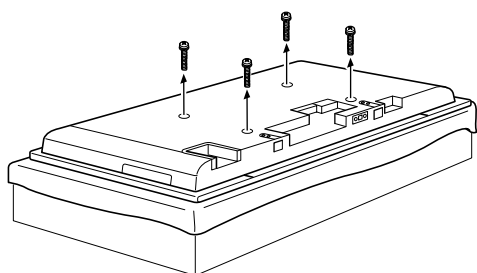
- 2 Retirez le téléviseur du support de table et placez le téléviseur face vers le bas sur une surface stable et recouverte d'une pièce de tissu, à au moins 20 cm (8 po) du sol.



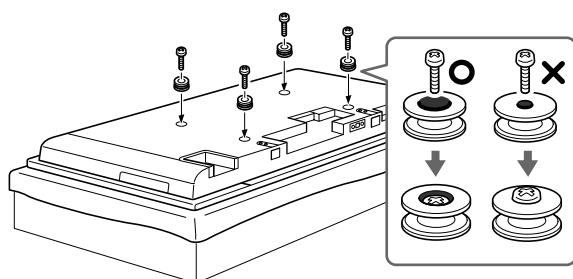
Remarque

Au moins deux personnes doivent tenir le téléviseur pour le transporter. Ne pas saisir le téléviseur par ses parties transparentes, au haut ou au bas.

3 Retirez les quatre vis situées à l'arrière du téléviseur.



4 Fixez les quatre crochets fournis avec les quatre vis fournies (+PSW5 × L14).



Remarques

- Si vous utilisez un tournevis électrique, réglez le couple à environ 2 N.m.
- Ne pas poser le téléviseur sur la face écran pendant longtemps car il pourrait être endommagé.

Étape 5 : Installation du téléviseur

AVERTISSEMENT

Terminez d'abord l'installation avant de brancher le cordon d'alimentation CA dans la prise de courant. Ne laissez pas le cordon d'alimentation CA se coincer entre des pièces de l'appareil ou sous l'appareil, ce qui pourrait provoquer un court-circuit ou l'électrocution. Prenez garde à ne pas trébucher sur le cordon d'alimentation CA ni à heurter le téléviseur, afin d'éviter les blessures.

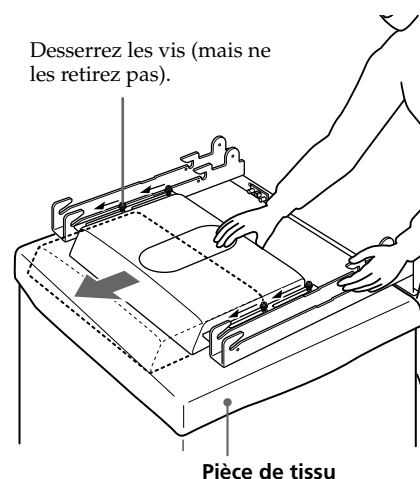
1

Lors de l'installation d'un téléviseur de 50 pouces sur le support de fixation murale SU-PW3M, il est nécessaire de modifier la position du haut-parleur d'extrêmes graves.

Modification de la position du haut-parleur d'extrêmes graves.

- 1 Dévissez partiellement (environ trois tours) les quatre vis retenant le haut-parleur d'extrêmes graves (deux vis de chaque côté sur les barres de soutien).
- 2 Faites glisser le haut-parleur d'extrêmes graves complètement en haut du téléviseur, tel qu'illustré ci-dessous.
- 3 Revissez les quatre vis desserrées à l'étape 1 afin de fixer le haut-parleur d'extrêmes graves.

Desserrez les vis (mais ne les retirez pas).

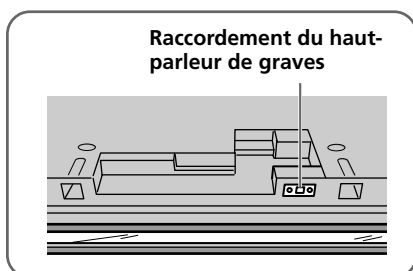


Pièce de tissu

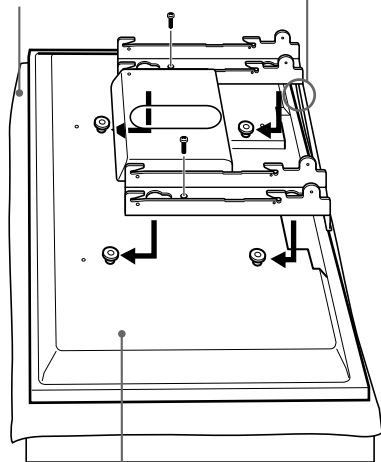
Remarque

Si le haut-parleur d'extrêmes graves n'est pas déplacé jusqu'au bout vers le haut du téléviseur à l'étape 2, la pièce de connexion du haut-parleur situé au bas de l'arrière du téléviseur et les orifices de ventilation sont bloqués, ce qui peut endommager le produit.

- 2** Fixez le châssis aux crochets situés à l'arrière du téléviseur. Puis, faites glisser le châssis et fixez-le à l'aide des vis fournies (+PSW5 × L14).



Pièce de tissu



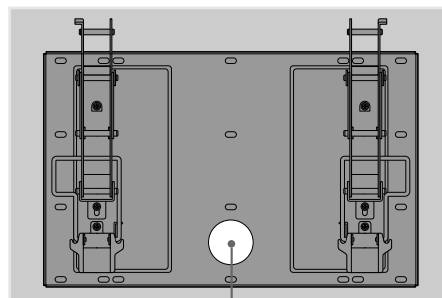
Arrière du téléviseur

Remarque

La raccordement du haut-parleur de graves est située dans le coin inférieur droit du châssis. Lorsque vous faites glisser le châssis, assurez-vous que le haut-parleur d'extrêmes graves est solidement branché au téléviseur.

- 3** Branchez au téléviseur le cordon d'alimentation CA et le(s) câble(s) de raccordement fournis avec le téléviseur.

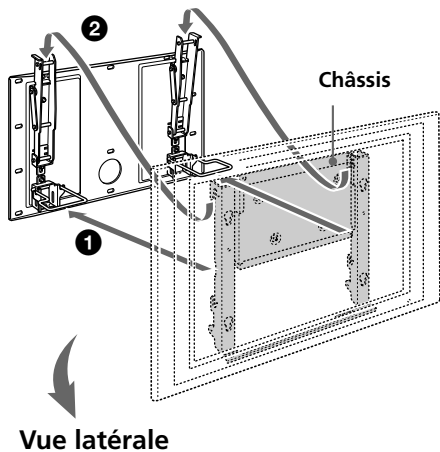
Branchez le cordon d'alimentation CA et le(s) câble(s) de raccordement aux connecteurs situés à l'arrière du téléviseur. Pour plus de détails sur le raccordement du cordon d'alimentation CA et du(des) câble(s) de raccordement, reportez-vous au mode d'emploi du téléviseur. Si vous faites passer le câble et le cordon dans le mur, faites-les passer par le trou que vous avez percé (page 17).



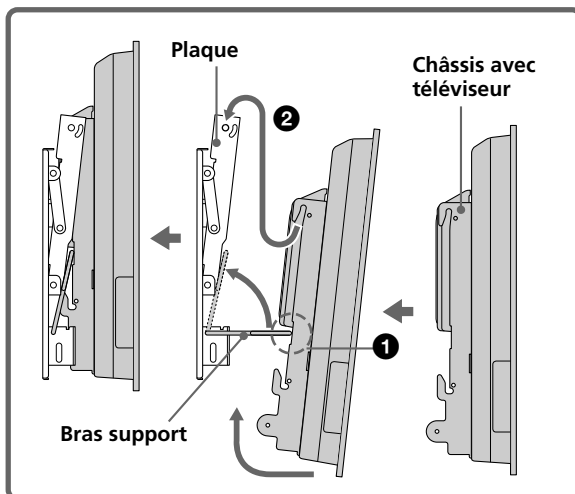
Orifice d'acheminement des câbles

4 Installez le châssis (portant le téléviseur) sur la plaque.

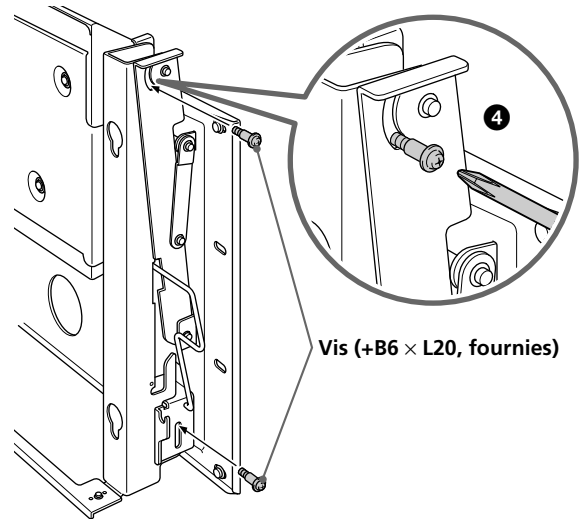
- 1 Tenez le châssis afin que les deux encoches de chaque côté touchent les bras support de la plaque.
- 2 Soulevez graduellement le châssis et le téléviseur, en maintenant les deux encoches engagées sur les bras support de la plaque. Fixez les crochets de droite et de gauche du haut du châssis sur les barres d'ancrage situées dans le haut des deux bras stabilisateurs de la plaque.
- 3 Assurez-vous que les quatre crochets sont bien accrochés aux deux barres d'ancrage de la plaque et que les bras support sont bien fixés dans les encoches centrales de la plaque.
- 4 Serrez fermement les quatre vis (+B6 × L20, fournies) du haut et du bas, sur chaque côté du châssis.



Vue latérale



Côté droit



Vis (+B6 × L20, fournies)

Vérification de l'installation

Vérifiez les points suivants.

- Les quatre crochets supérieurs du châssis sont solidement fixés aux deux barres d'ancrage de la plaque.
- Le cordon et le câble ne sont pas tordus ni coincés.
- Toutes les vis (+B6 × L20, fournies) sont solidement vissées.

AVERTISSEMENT

Si l'installation est incomplète, le produit pourrait tomber et provoquer des blessures ou être endommagé. En outre, si le cordon d'alimentation CA ou autre n'est pas correctement installé, un court-circuit pourrait survenir et provoquer un incendie ou l'électrocution. Pour votre sécurité, vérifiez que l'installation est effectuée complètement.

Vérification du fonctionnement du haut-parleur d'extrêmes graves

Ce support de fixation murale est équipé d'un haut-parleur d'extrêmes graves. Après avoir installé le châssis (portant le téléviseur) sur la plaque, mettez le téléviseur sous tension et vérifiez que le haut-parleur d'extrêmes graves fonctionne correctement. Si le téléviseur n'est pas installé correctement sur le châssis, aucun son ne provient du haut-parleur d'extrêmes graves, ou encore un message d'erreur s'affiche à l'écran du téléviseur après quelques instants.

Remarque

Selon l'emplacement du support de fixation murale, le haut-parleur d'extrêmes graves peut produire un son plus ou moins fort. Si le son des graves est trop fort, ajustez la qualité sonore en réglant le niveau des graves dans le menu de réglage du son de votre téléviseur. Pour plus de détails sur le réglage de la qualité sonore, reportez-vous au mode d'emploi du téléviseur.

Retrait du téléviseur

À l'attention des détaillants Sony

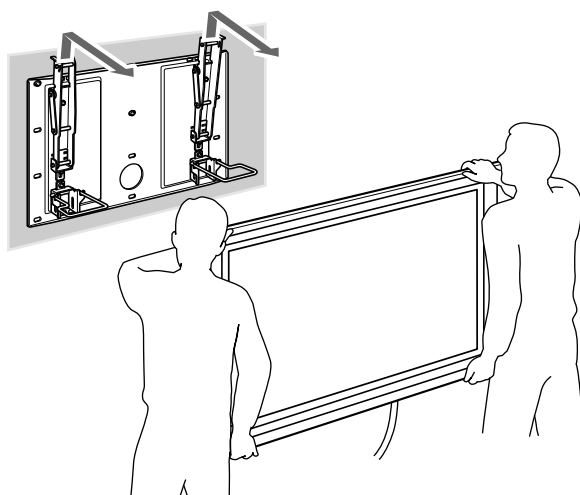
1 Débranchez le cordon d'alimentation CA de la prise de courant.

2 Retirez les quatre vis de fixation à l'étape ④ de la procédure 4, page 12.

3 En vous assurant qu'au moins deux personnes tiennent le téléviseur, faites-le glisser vers le haut pour le retirer.

AVERTISSEMENT

- Veillez à ce qu'au moins deux personnes tiennent le téléviseur lors du déplacement.
- Prenez garde à ne pas accrocher le cordon d'alimentation et les câbles lors du retrait du téléviseur.
- Faites attention à ne pas vous blesser les mains ou les doigts pendant le retrait du téléviseur.



Remarque

Toujours saisir le téléviseur par les parties qui ne sont pas transparentes au haut et au bas pour le transporter.

Raccordement d'équipement externe au téléviseur après l'installation

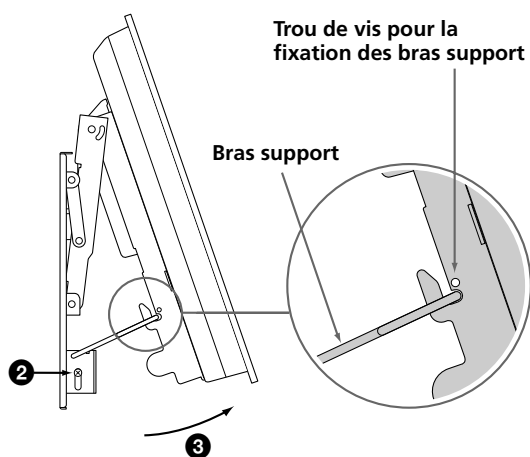
À l'attention des clients, détaillants Sony

1 Faites pivoter le téléviseur.

- 1 Débranchez le cordon d'alimentation CA.
- 2 Retirez les deux vis de fixation situées au bas du châssis (page 12).
- 3 En tenant le téléviseur par sa partie inférieure à droite et à gauche, faites-le pivoter graduellement vers le haut.

Remarques

- Ne tenez pas le téléviseur par sa partie transparente.
 - Ne laissez pas tomber le téléviseur en le faisant pivoter, car il pourrait frapper le mur et causer des dommages.
- 4 Assurez-vous que les deux bras support de la plaque sont bien fixés dans les crochets de droite et de gauche au bas du châssis.
 - 5 Insérez les vis retirées à l'étape 2 dans les trous de vis sur les côtés extérieurs des crochets de droite et de gauche au bas du châssis et vissez-les solidement pour verrouiller les bras support.



2 Raccordez les câbles de l'équipement externe au téléviseur.

3 Remplacez le téléviseur dans sa position normale.

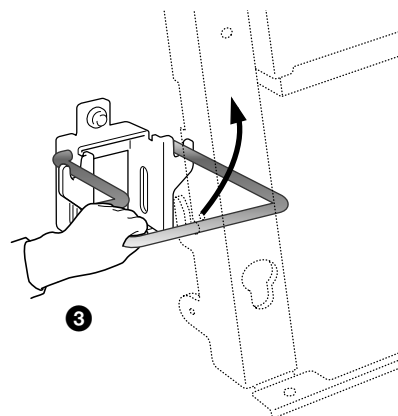
- 1 Retirez les deux vis de fixation que vous avez fixées à l'étape 5 de la procédure 1 des côtés externes des crochets de droite et de gauche au bas du châssis.
- 2 En tenant le téléviseur par sa partie inférieure à droite et à gauche, faites-le pivoter vers vous afin que les bras support se dégagent des crochets inférieurs du châssis.

Remarques

- Ne tenez pas le téléviseur par sa partie transparente.
 - Ne laissez pas tomber le téléviseur en le faisant pivoter, car il pourrait frapper le mur et causer des dommages.
- 3 En tenant la partie saillante de chacun des bras support d'une main, faites-le pivoter vers le haut et rétablissez les bras support et le téléviseur à la position normale.
 - 4 Serrez les vis de fixation.
 - 5 Vérifiez qu'aucun câble raccordé au téléviseur n'est tordu ou coincé, puis branchez le cordon d'alimentation CA.

AVERTISSEMENT

- Assurez-vous qu'au moins deux personnes effectuent ce travail.
- Faites attention de ne pas vous pincer les mains ou les doigts.



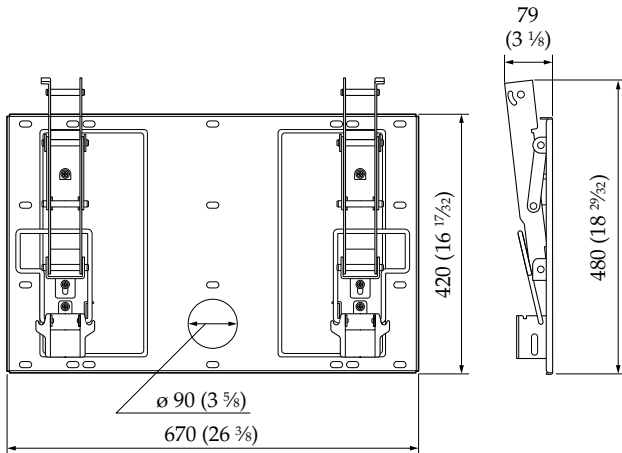
Spécifications

Unités : mm (pouces)

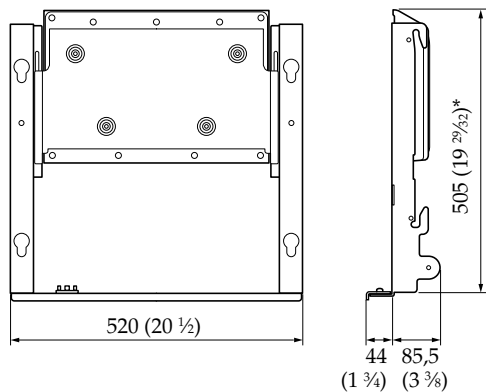
Poids : 15,0 kg (33 lb 1 oz)

La conception et les caractéristiques techniques du produit sont sujettes à modification sans préavis.

PLAQUE



CHÂSSIS

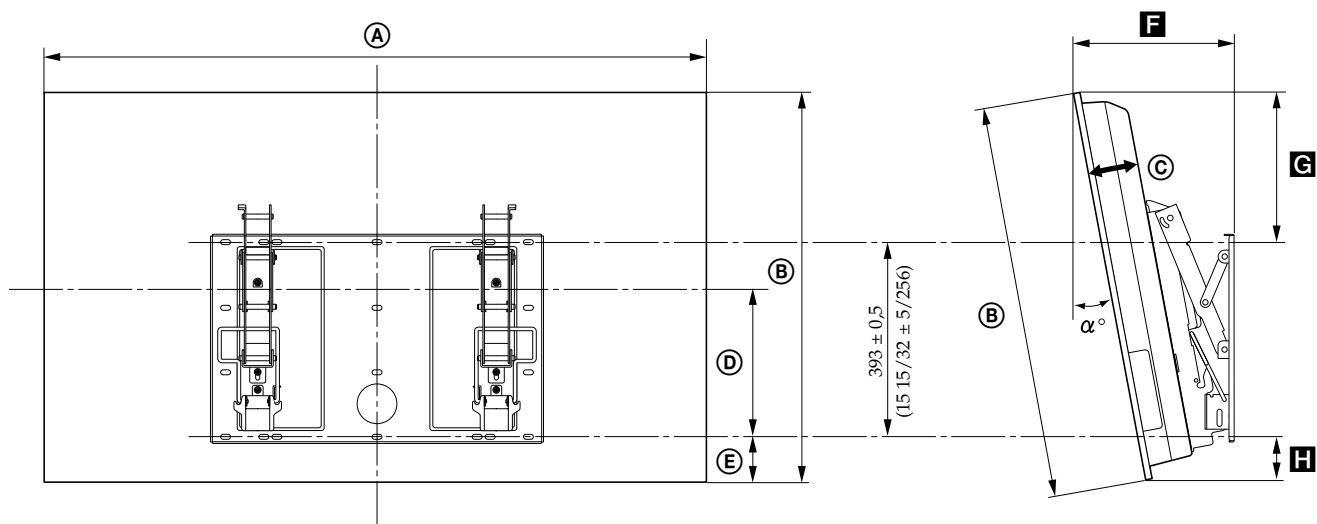


* Lorsque la position du haut-parleur d'extrêmes graves est modifiée pour l'installation d'un téléviseur de 50 pouces : 590 (23 1/4)

HAUT-PARLEUR

Élément haut-parleur	10 cm (2)
Impédance	4 Ω
Puissance max.	50 W

Tableau des dimensions d'installation du téléviseur

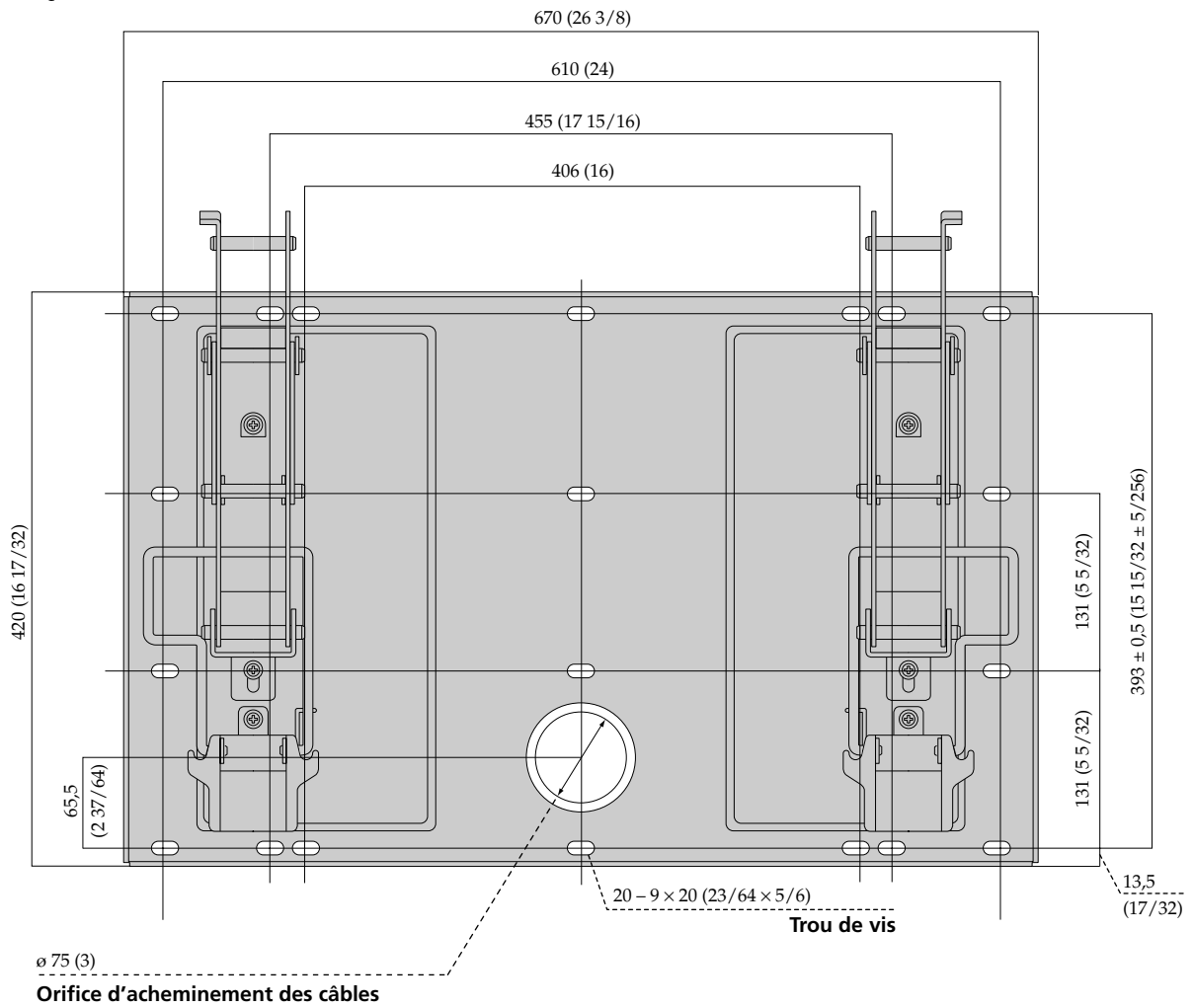


Modèle de téléviseur	Dimensions du téléviseur					Mesure par angle de fixation				Poids	
	Unités: mm (pouces)					Unités: mm (pouces)				Poids	(× 4)*
	A	B	C	D	E	Angle de montage (α°)	F	G	H		
KDE-37XS955	1048 (41 9/32)	599 (23 19/32)	89 (3 1/2)	246 (9 23/32)	58 (2 5/16)	0°	185 (7 5/16)	148 (5 27/32)	58 (2 5/16)	36kg 72lb 5oz	144kg 317lb 3oz
						5°	228 (9)	136 (5 3/8)	68 (2 11/16)		
						10°	270 (10 21/32)	122 (4 13/16)	76 (3)		
						15°	309 (12 3/16)	106 (4 3/16)	82 (3 1/4)		
						20°	346 (13 5/8)	88 (3 15/32)	84 (3 5/16)		
KDE-42XS955	1139 (44 27/32)	672 (26 15/32)	89 (3 1/2)	283 (11 5/32)	58 (2 5/16)	0°	185 (7 5/16)	221 (8 23/32)	58 (2 5/16)	42kg 92lb 8oz	168kg 370lb 1oz
						5°	235 (9 9/32)	209 (8 1/4)	68 (2 11/16)		
						10°	282 (11 1/8)	194 (7 21/32)	76 (3)		
						15°	328 (12 15/16)	176 (6 15/16)	82 (3 1/4)		
						20°	371 (14 5/8)	157 (6 3/16)	84 (3 5/16)		
KDE-50XS955	1336 (52 5/8)	789 (31 1/16)	89 (3 1/2)	343 (13 1/2)	56 (2 7/32)	0°	185 (7 5/16)	340 (13 13/32)	56 (2 7/32)	54kg 119lb 1oz	216kg 476lb 4oz
						5°	245 (9 21/32)	327 (12 7/8)	66 (2 5/8)		
						10°	303 (11 15/16)	310 (12 7/32)	74 (2 15/16)		
						15°	359 (14 5/32)	291 (11 15/32)	80 (3 5/32)		
						20°	412 (16 1/4)	268 (10 9/16)	83 (3 9/32)		

* Le mur sur lequel le téléviseur est installé doit pouvoir supporter un poids équivalent à au moins quatre fois le poids du téléviseur.

Schéma des dimensions d'installation au mur

Unités : mm (pouces)



Muchas gracias por la adquisición de este producto.

Información para los clientes

Para instalar este producto se requieren suficientes conocimientos técnicos. Asegúrese de contratar la instalación a un distribuidor o contratista Sony y preste especial atención a la seguridad durante la instalación. Sony no se responsabiliza de ningún daño o lesión provocados por una manipulación o instalación incorrectas.

ADVERTENCIA

Si no se siguen las medidas de seguridad o si el producto se utiliza incorrectamente, se correrá el peligro de sufrir lesiones graves o de incendio.

Este manual de instrucciones muestra la manera correcta de manipular el producto, así como precauciones importantes necesarias para evitar accidentes. Lea detenidamente ese manual y utilice el producto correctamente. Conserve este manual para poder consultarlo en el futuro.

Información para los distribuidores de Sony

Para instalar este producto se requieren suficientes conocimientos técnicos. Lea detenidamente este manual de instrucciones para realizar la instalación de manera segura. Sony no se responsabiliza de ningún daño o lesión provocados por una manipulación o instalación incorrectas. Entregue este manual al cliente después de la instalación.

Seguridad

Los productos de Sony están diseñados pensando en la seguridad.

Sin embargo, si los productos se utilizan incorrectamente, pueden provocar lesiones graves a raíz de un incendio, una descarga eléctrica, que el producto vuelque o que se caiga. Para evitar tales accidentes, asegúrese de observar las precauciones de seguridad.

PRECAUCIÓN

Este soporte de montaje mural ha sido diseñado para ser utilizado sólo con los productos siguientes. Si se utiliza con otros equipos podría desequilibrarse y provocar daños personales.

Productos especificados (en fecha de septiembre de 2004)

Televisor en color de panel plano	KDE-37XS955 KDE-42XS955 KDE-50XS955
--------------------------------------	---

Al instalar el televisor sobre el soporte de montaje mural, asegúrese de que el altavoz de graves esté firmemente conectado al televisor.

Si el altavoz de graves no está conectado firmemente, aparecerá un mensaje de error en la pantalla del televisor cuando lo encienda.

Si aparece un mensaje de error en la pantalla del televisor, el conector no está conectado correctamente. Compruebe que el conector no esté dañado y, a continuación, vuelva a conectar el altavoz de graves al televisor.

Si el conector del altavoz de graves no está conectado firmemente, el altavoz no emitirá ningún sonido, lo que podría ocasionar daños al televisor. (Aparecerá un mensaje de error en la pantalla del televisor si no está conectado firmemente.)

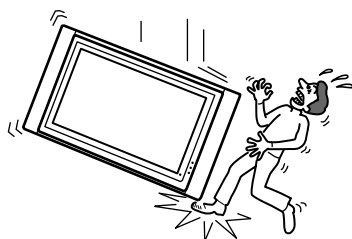
ADVERTENCIA

Si no se tienen en cuenta las siguientes precauciones, se correrá el peligro de sufrir lesiones graves o incluso de muerte a raíz de un incendio, una descarga eléctrica, que el producto vuelque o que se caiga.

Asegúrese de contratar la instalación a contratistas cualificados y mantenga a los niños alejados durante la instalación.

Si el soporte de montaje mural o el televisor no están instalados correctamente, pueden ocurrir los accidentes siguientes. Asegúrese de que la instalación la realizan contratistas cualificados.

- El televisor podría caerse y provocar lesiones graves como contusiones o fracturas.
- Si la pared en la que se instala el soporte de montaje mural es inestable, desigual o no es perpendicular con el piso, la unidad puede caerse y provocar daños personales o materiales. La pared debe ser capaz de soportar un peso de al menos cuatro veces el peso del televisor. (Consulte la tabla de dimensiones de instalación del televisor en la página 16 para ver el peso de cada televisor.)
- Si la instalación del soporte de montaje mural en la pared no es lo suficientemente resistente, es posible que la unidad se caiga y provoque daños personales o materiales.



Asegúrese de contratar el traslado o el desmontaje del televisor a contratistas cualificados.

Si otras personas que no son contratistas cualificados transportan o desmontan el televisor, éste puede caerse y provocar daños personales y materiales. Asegúrese de que transportan o desmontan el televisor dos o más personas.

No vierta ningún tipo de líquido sobre el televisor.

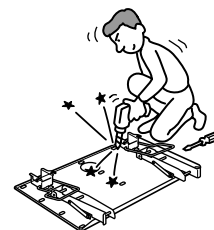
Si el televisor se moja, se correrá el peligro de incendio o de descargas eléctricas.

No quite los tornillos, etc., una vez montado el televisor.

Si lo hace, el televisor puede caerse y provocar daños personales o materiales.

No desmonte ni modifique las piezas del soporte de montaje mural.

Si lo hace, el soporte de montaje mural puede caerse y provocar daños personales o materiales.

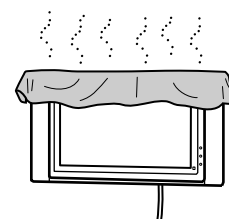


No monte ningún otro equipo que no sea el producto especificado.

Este soporte de montaje mural ha sido diseñado para ser utilizado sólo con el producto especificado. Si monta un equipo distinto del especificado, puede caerse o romperse y provocar daños personales o materiales.

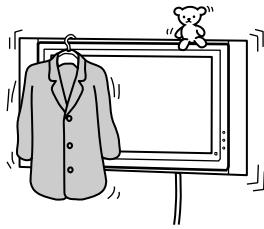
No obstruya el orificio de ventilación del televisor.

Si cubre el orificio de ventilación (con un paño, etc.), el televisor podría sobrecalentarse y provocar un incendio.



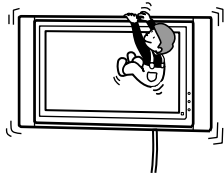
No aplique ningún peso que no sea el propio del televisor en el soporte de montaje mural.

Si lo hace, el televisor puede caerse y provocar daños personales o materiales.



No se apoye en el televisor ni se cuelgue del mismo.

No se apoye ni se cuelgue del televisor porque podría caerle encima y provocarle lesiones graves.



No exponga el televisor a la lluvia ni a la humedad.

Podría originarse un incendio o producirse descargas eléctricas.

No coloque nunca el televisor en lugares muy calientes, húmedos, o excesivamente polvorientos, ni en lugares en los que se produzcan vibraciones.

Si lo hace, podría originarse un incendio o producirse descargas eléctricas.

Mantenga el televisor alejado de objetos inflamables y de llamas de fuego (como por ejemplo, de velas).

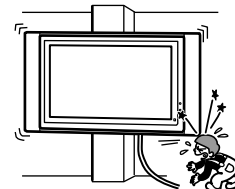
Para evitar incendios, mantenga el televisor alejado de objetos inflamables y de llamas de fuego (como por ejemplo, de velas).

PRECAUCIÓN

Si no se tienen en cuenta las precauciones siguientes, se correrá el peligro de sufrir daños personales o materiales.

No instale el soporte de montaje mural en superficies de paredes en las que puedan sobresalir las esquinas o los lados del televisor.

No instale el soporte de montaje mural en superficies de paredes, tales como una columna, en las que puedan sobresalir las esquinas o los lados del televisor. Si una persona o un objeto se golpea con la esquina o el lado saliente del televisor, pueden producirse daños personales o materiales.



No manipule el producto con fuerza excesiva cuando realice su limpieza o mantenimiento.

No aplique fuerza excesiva en la parte superior del televisor. Si lo hace, el televisor puede caerse y provocar daños personales o materiales.

No instale el televisor encima ni debajo de un aparato de aire acondicionado.

Si el televisor queda expuesto a goteo o corriente de aire procedentes del aparato de aire acondicionado durante mucho tiempo, se correrá el peligro de incendio o de descargas eléctricas, o de que el televisor no pueda funcionar correctamente.

Precauciones

- Si utiliza el televisor instalado en el soporte de montaje mural durante un largo período de tiempo, es posible que la pared que quede detrás o encima del televisor se descolore o que, si la pared está empapelada, se desenganche el papel, dependiendo del material de la pared.
- Si se quita el soporte de montaje mural después de haber estado instalado en la pared, quedarán los orificios de los tornillos.
- Si ha dispuesto cables de antena de 300 ohmios detrás de la pared, se recomienda que los cambie por cables coaxiales de 75 ohmios.
Si es necesario seguir utilizando los cables de antena de 300 ohmios, asegúrese de que haya suficiente espacio disponible entre el televisor y los cables de antena detrás de la pared antes de realizar la instalación. Póngase en contacto con el contratista para decidir la ubicación ideal (sin interferencias radioeléctricas, etc.) antes de realizar la instalación.
- **Influencia magnética**
Este televisor contiene un potente imán en el altavoz que genera flujo magnético. Mantenga apartados del altavoz del televisor todos los artículos que sean susceptibles a la influencia magnética.

Instalación del soporte de montaje mural

Información para los distribuidores de Sony

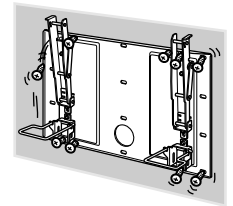
ADVERTENCIA

Información para los distribuidores de Sony

Las instrucciones siguientes están destinadas únicamente a los distribuidores de Sony. Asegúrese de leer las precauciones de seguridad descritas anteriormente y preste especial atención a la seguridad durante la instalación, el mantenimiento y la comprobación de este producto.

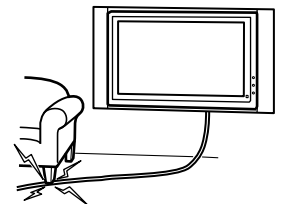
Asegúrese de instalar el soporte de montaje mural firmemente en la pared siguiendo las instrucciones de este manual.

Si alguno de los tornillos queda suelto o se desprende, el soporte de montaje mural puede caerse y provocar daños personales o materiales. Asegúrese de utilizar los tornillos adecuados para el material de la pared e instale la unidad firmemente, utilizando cuatro o más tornillos M8 (o equivalentes).



Evite que el cable de alimentación de CA o el cable de conexión queden atrapados.

Si el cable de alimentación de CA o el cable de conexión quedan atrapados entre la unidad y la pared o si se doblan o tuercen con fuerza, es posible que los conductores internos queden expuestos y que provoquen un cortocircuito o corte eléctrico. Esto podría originar un incendio o producir descargas eléctricas.



Asegúrese de utilizar correctamente los tornillos y las piezas de sujeción suministrados siguiendo las instrucciones que se describen en este manual. Si utiliza artículos sustitutivos, el televisor podría caerse y dañarse o provocar daños personales.

Efectúe correctamente el montaje del soporte siguiendo el procedimiento descrito en este manual.

Si algunos de los tornillos queda suelto o se desprende, el televisor podría caerse y dañarse o provocar daños personales.

Asegúrese de apretar bien los tornillos en la posición correspondiente.

Si no lo hace así, el televisor podría caerse y dañarse o provocar daños personales.

Procure que el televisor no reciba golpes durante la instalación.

Si el televisor recibe algún golpe, puede caerse o romperse. Tales percances podrían causar heridas personales.

Asegúrese de instalar el televisor en una pared que sea perpendicular y plana.

De lo contrario, el televisor podría caerse y provocar daños personales.

Una vez haya instalado correctamente el televisor, fije adecuadamente los cables.

Si alguna persona u objeto se enreda con los cables, correrá el peligro de sufrir heridas personales o de dañarse el televisor.

Tenga cuidado para no herirse las manos o los dedos durante la instalación.

Tenga cuidado para no herirse las manos o los dedos cuando instale el soporte de montaje mural o el televisor.

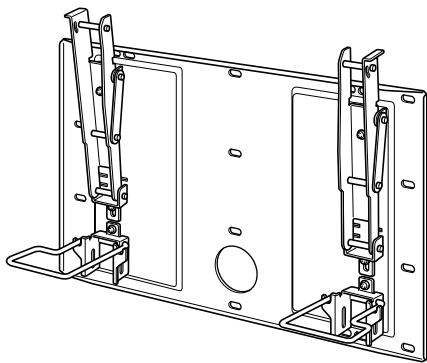
Los tornillos necesarios para fijar el soporte de montaje mural a la pared no están incluidos.

Utilice los tornillos adecuados para el material y la estructura de la pared en la que se proponga montar el soporte de montaje mural.

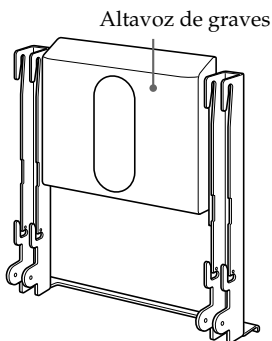
Paso 1: Comprobar las piezas necesarias para la instalación

1 Prepare un destornillador de cabeza en cruz y los tornillos adecuados (cuatro o más del tipo M8 o equivalentes, no suministrados), según el material de la pared.

2 Abra el embalaje y compruebe las piezas.



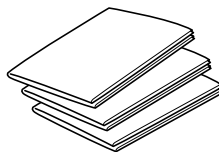
Placa (1)



Bastidor de montaje (1)



Gancho (4)



Plantilla de papel
(1 conjunto de 3 hojas)



Tornillo (+B6 × L20) (4)



Tornillo (+PSW5 × L14) (6)

Paso 2: Decidir la ubicación de instalación

1 Coloque la plantilla de papel en una pared perpendicular y plana, y decida la ubicación de instalación.

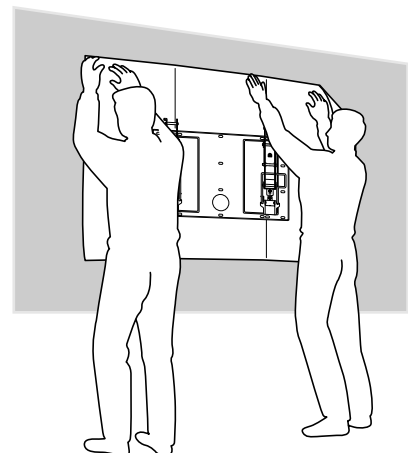
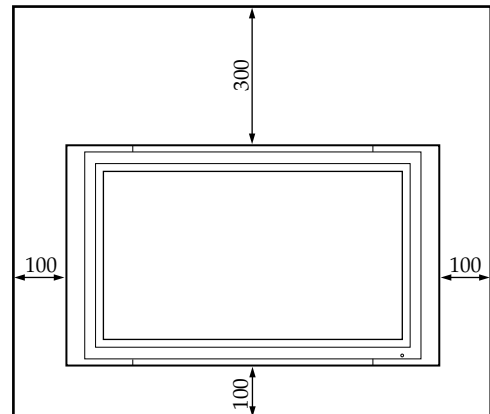
Pegue las tres hojas suministradas de la plantilla de papel, una junto a otra, con cinta adhesiva de venta en las tiendas del ramo. Para obtener información detallada, consulte la información impresa en la plantilla de papel.

Deje un espacio adecuado entre el televisor y el techo y las partes salientes de la pared, como se muestra en la ilustración siguiente.

Nota

Si desea instalar los cables en la pared, haga un orificio de antemano en la pared para asegurarse de que los cables se pueden pasar por la pared. La posición del orificio para el cable está impresa en la plantilla de papel y en la página 17.

Unidad: mm



2 Consultando la plantilla de papel y la página 17, determine las posiciones de los tornillos y del orificio para el cable (si se propone instalar los cables en la pared), y efectúe el trabajo en la pared.

ADVERTENCIA

La pared en la que se proponga instalar el televisor deberá ser capaz de soportar un peso al menos cuatro veces mayor que el peso del televisor (página 16). Confirme la resistencia de la pared en la que se propone instalar el televisor. Si es necesario, refuerce la pared.

Paso 3: Instalar la placa en la pared

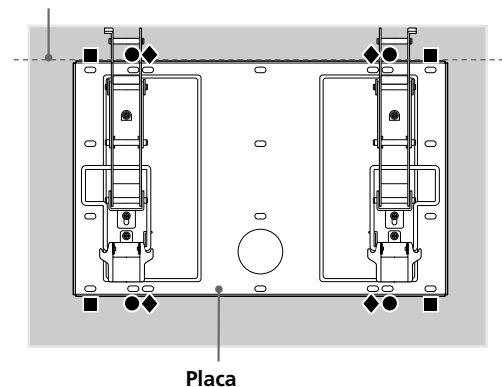
1 Fije la placa en la pared utilizando cuando o más tornillos M8 (o equivalentes) (no suministrados).

Seleccione por lo menos cuatro orificios de tornillo con la misma marca que se muestra en la ilustración siguiente, y fije los tornillos con seguridad para que no se aflojen.

ADVERTENCIA

- Los tornillos para fijar el soporte de montaje mural a la pared no están incluidos.
- Asegúrese de utilizar los tornillos adecuados, según el material y la estructura de la pared.
- Si la placa no queda fijada con suficiente seguridad, utilice más tornillos.
- Confirme que la placa haya quedado fijada con seguridad a la pared.

Alinee la unidad de modo que quede perfectamente nivelada.



2 Ajuste el ángulo de los brazos estabilizadores.

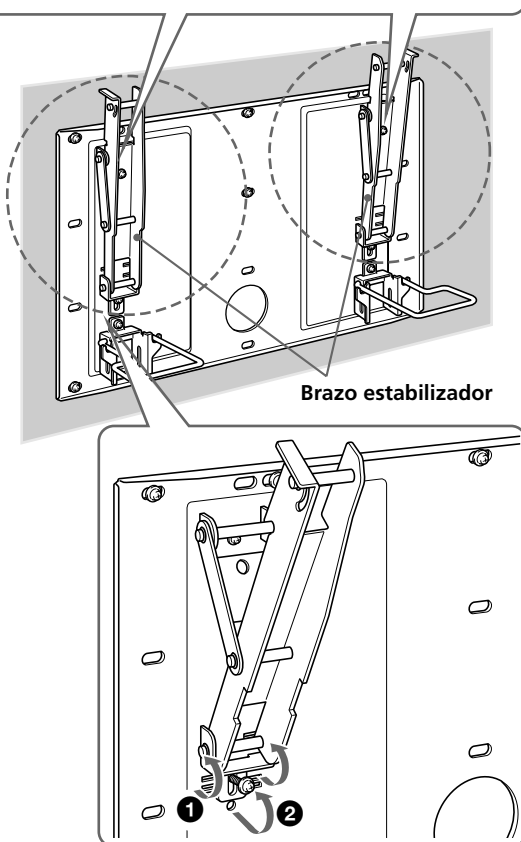
Cuando instale el televisor perpendicularmente (0 grados), no es necesario realizar el ajuste del ángulo de los brazos (procedimientos 1 y 2 siguientes). Asegúrese de que cada brazo estabilizador queda fijado con seguridad.

- 1 Extraiga los tornillos de la parte superior central y de la parte inferior central de ambos brazos estabilizadores. A continuación, elija la muesca correspondiente al ángulo deseado (5, 10, 15, ó 20 grados) y acople el brazo estabilizador en la muesca.
- 2 Fije con seguridad cada brazo estabilizador utilizando los tornillos que ha extraído en el procedimiento 1.

Notas

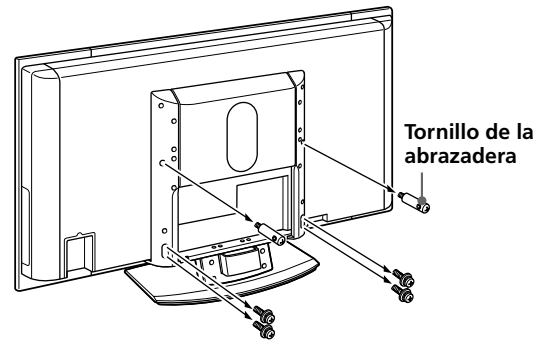
- Asegúrese de ajustar los ángulos de los brazos derecho e izquierdo al mismo ángulo.
- Tenga cuidado de no pillarse los dedos al ajustar el ángulo de los brazos.
- Si utiliza un destornillador eléctrico, ajuste el par de apriete aproximadamente a 2 N·m.

- 0 grados: Deje los tornillos blancos apretados tal y como están.
- Distinto de 0 grados: Extraiga los tornillos blancos.

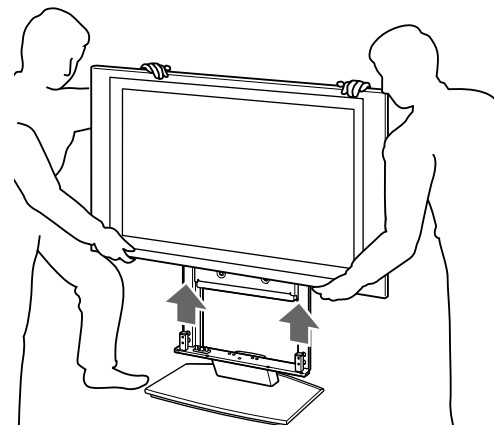


Paso 4: Preparar la instalación del televisor

- 1 Extraiga los tornillos que fijan el televisor al soporte de sobremesa.



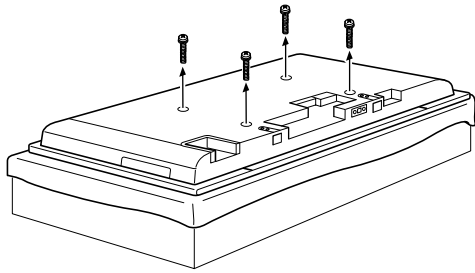
- 2 Separe el televisor del soporte de sobremesa, y coloque el televisor, con la pantalla abajo, sobre una superficie de trabajo estable cubierta con un paño, a 20 cm del suelo como mínimo.



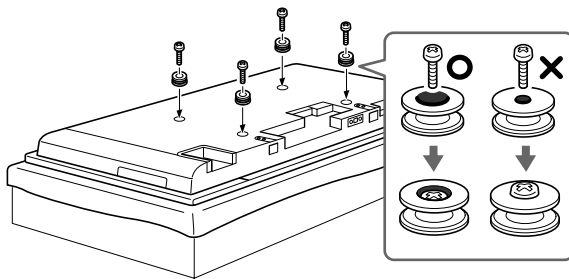
Nota

Asegúrese de que al menos dos personas sujetan el televisor durante el transporte. No sujete las partes transparentes de la parte superior ni inferior del televisor.

3 Extraiga los cuatro tornillos del lado posterior del televisor.



4 Fije los cuatro ganchos suministrados utilizando los cuatro tornillos suministrados (+PSW5 × L14).



Notas

- Si utiliza un destornillador eléctrico, ajuste el par de apriete aproximadamente a 2 N·m.
- No coloque el televisor boca abajo durante un tiempo prolongado ya que podría dañar la superficie frontal.

Paso 5: Instalar el televisor

ADVERTENCIA

Asegúrese de haber completado la instalación antes de enchufar el cable de alimentación de CA a la toma de corriente. Si el cable de alimentación de CA queda atrapado debajo de componentes del equipo o entre los mismos, correrá el peligro de cortocircuito o de descargas eléctricas.

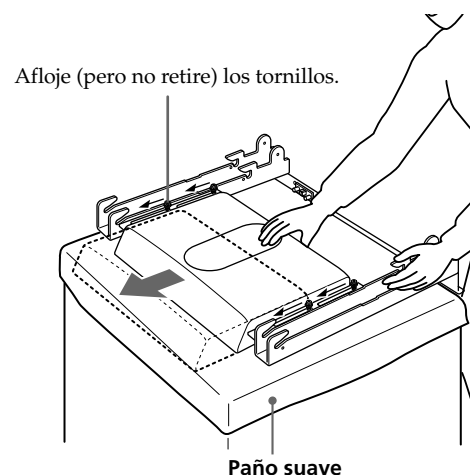
Tenga cuidado de no tropezar con el cable de alimentación de CA o el televisor, porque podría hacerse daño.

1

Si instala un televisor de 50 pulgadas en el soporte de montaje mural SU-PW3M, deberá cambiar la posición del altavoz de graves.

Cambio de la posición del altavoz de graves.

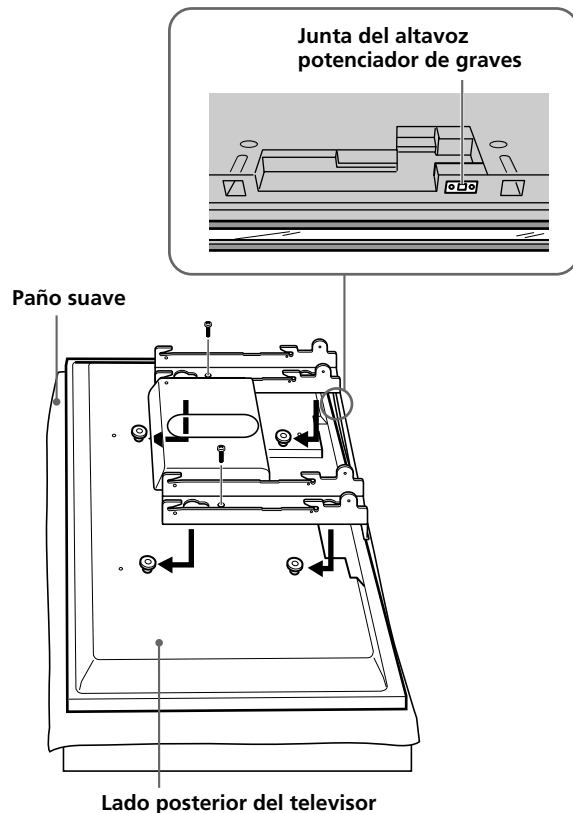
- 1 Afloje unas tres vueltas los cuatro tornillos (dos en cada lado de los brazos de los puntales) utilizados para fijar el altavoz de graves en su lugar.
- 2 Deslice completamente hacia arriba el altavoz de graves como se muestra a continuación.
- 3 Vuelva a apretar los cuatro tornillos (aflojados en el paso 1) para fijar el altavoz de graves.



Nota

Si no desliza por completo el altavoz de graves en el paso 2, la ubicación de la parte de conexión del altavoz de graves, situada en la parte inferior central del lado posterior del televisor, y los orificios de ventilación se bloquearían, produciendo daños en el aparato.

2 Enganche el bastidor de montaje en los ganchos del lado posterior del televisor. A continuación, desliza el bastidor de montaje y fíjelo utilizando los tornillos suministrados (+PSW5 × L14).



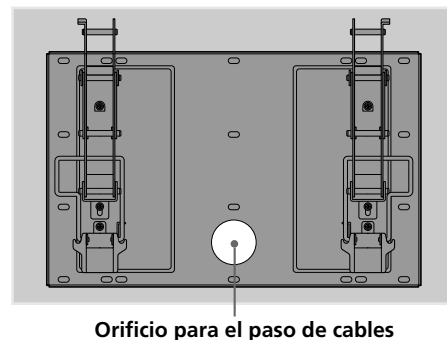
Nota

El junta del altavoz potenciador de graves está situado en la parte inferior derecha del bastidor de montaje. Cuando deslice el bastidor de montaje, asegúrese de que el altavoz de graves esté firmemente conectado al televisor.

3 Conecte al televisor el cable de alimentación de CA y el(los) cable(s) suministrado(s) con el televisor.

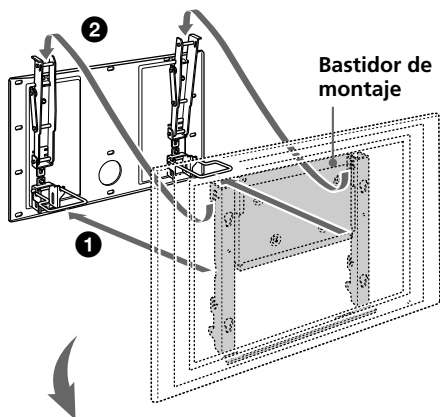
Conecte el cable de alimentación de CA y el(los) cable(s) de conexión a los conectores del lado posterior del televisor. Para ver los detalles sobre la conexión del cable de alimentación de CA y del(los) cable(s) de conexión, consulte el manual de instrucciones del televisor.

Cuando coloque los cables en la pared, páselos por el orificio que usted había taladrado (página 17).

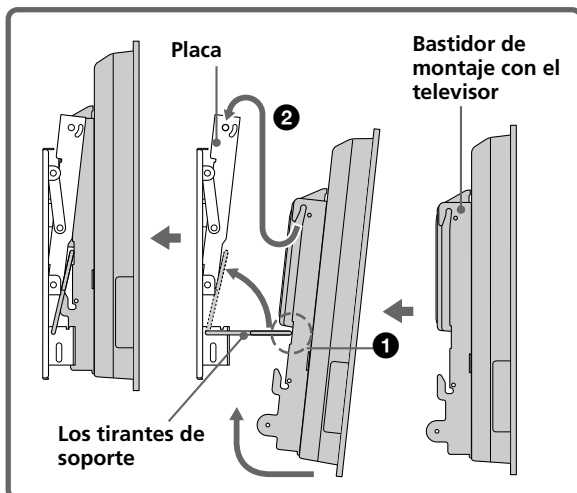


4 Instale el bastidor de montaje (con el televisor) en la placa.

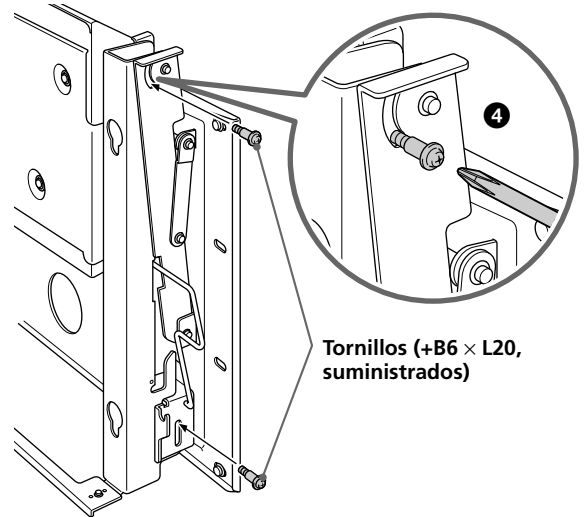
- 1 Sostenga el bastidor de montaje de modo que las dos muescas centrales de cada lado se pongan en contacto con los tirantes de soporte de la placa.
- 2 Levante gradualmente el bastidor de montaje y el televisor en sentido vertical manteniendo las muescas centrales acopladas con los tirantes de soporte de la placa. Enganche los ganchos izquierdo y derecho de la parte superior del bastidor de montaje en las barras de anclaje que hay en la parte superior de los brazos estabilizadores izquierdo y derecho de la placa.
- 3 Confirme que los cuatro ganchos superiores hayan quedado firmemente enganchados a las dos barras de anclaje de la placa y que los tirantes de soporte estén fijados en las muescas centrales del bastidor de montaje.
- 4 Apriete firmemente los cuatro tornillos (+B6 × L20, suministrados) superiores e inferiores de cada lado del bastidor de montaje.



Vista lateral



Lateral derecho



Confirme que haya finalizado la instalación

Compruebe los puntos siguientes:

- Que los cuatro ganchos superiores del bastidor de montaje estén firmemente enganchados a las dos barras de anclaje de la placa.
- Que los cables no estén retorcidos ni atrapados.
- Que todos los tornillos de fijación (+B6 × L20, suministrados) estén bien apretados.

ADVERTENCIA

Una instalación incompleta puede causar la caída del aparato y ocasionar daños materiales o personales. Además, la colocación inadecuada del cable de alimentación de CA, etc. puede ser causa de un incendio o de descargas eléctricas debidas a un cortocircuito. Por razones de seguridad, no se olvide de confirmar que haya finalizado la instalación.

Compruebe el funcionamiento del altavoz de graves

Este soporte de montaje mural está provisto de un altavoz de graves. Después de haber instalado el bastidor de montaje (con el televisor) en la placa, conecte el interruptor de alimentación del televisor y compruebe que el altavoz de graves funcione correctamente. Si el televisor no está instalado correctamente en el bastidor de montaje, no saldrá sonido por el altavoz de graves, o después de cierto tiempo aparecerá un mensaje de error en la pantalla del televisor.

Nota

Dependiendo del entorno en el que instale el soporte de montaje mural, es posible que el altavoz de graves produzca un fuerte sonido de graves. Si el sonido de los graves es demasiado fuerte, ajuste el sonido según sus preferencias en el ajuste del nivel del altavoz de graves que encontrará en la opción del menú del televisor. Consulte el manual de instrucciones del televisor para encontrar más detalles sobre el ajuste del sonido.

Cómo separar el televisor

Información para los distribuidores de Sony

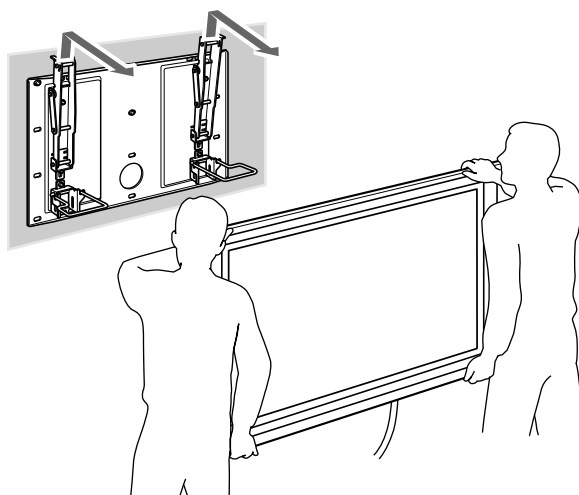
1 Desenchufe el cable de alimentación de CA de la toma de corriente.

2 Extraiga los cuatro tornillos de fijación del paso ④ del procedimiento 4 que se encuentra en la página 12.

3 Haga que dos o más personas sujeten el televisor y deslícelo hacia arriba para extraerlo.

ADVERTENCIA

- Asegúrese de que sujetan el televisor dos o más personas para transportarlo.
- Tenga cuidado para que los cables no queden colgando cuando extraiga el televisor.
- Tenga cuidado para no herirse las manos o los dedos al extraer el televisor.



Nota

Sujete siempre el televisor por las partes no transparentes de la parte superior e inferior del televisor durante el transporte.

Conecte los cables del equipo externo al televisor después de haber terminado la instalación

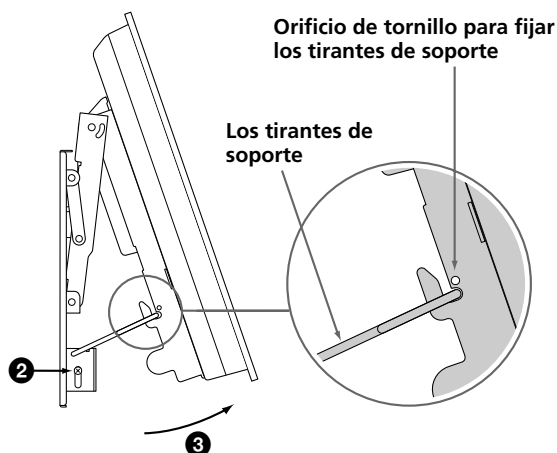
Información para los clientes, distribuidores de Sony

1 Incline el televisor hacia arriba.

- 1 Desenchufe el cable de alimentación de CA.
- 2 Afloje los dos tornillos de fijación que hay en la parte inferior del bastidor de montaje (página 12).
- 3 Sujete el televisor por las partes inferiores izquierda y derecha y levántelo poco a poco.

Notas

- No sujete la parte transparente del televisor.
 - No suelte el televisor mientras lo levanta, porque el televisor podría golpear la pared y ocasionar daños.
- 4 Confirme que los dos tirantes de soporte de la placa estén enganchados en los ganchos izquierdo y derecho de la parte inferior izquierda de uno de los lados del bastidor de montaje.
 - 5 Inserte los tornillos extraídos en el paso 2 en los orificios de tornillo de los lados exteriores de los ganchos izquierdo y derecho de la parte inferior del bastidor de montaje, y apriételes con seguridad para fijar los tirantes de soporte.



2 Conecte los cables del equipo externo al televisor.

3 Vuelva a colocar el televisor en la posición no inclinada.

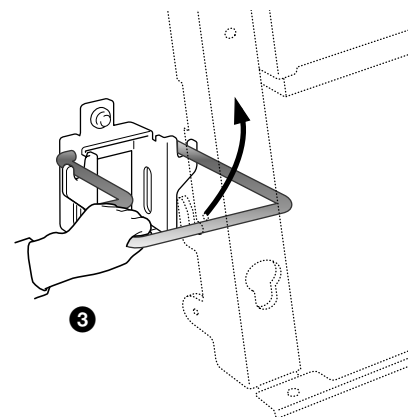
- 1 Afloje los tornillos apretados en los lados exteriores de los ganchos izquierdo y derecho de la parte inferior del bastidor de montaje en el paso 5 del procedimiento 1.
- 2 Sujete las partes inferiores izquierda y derecha del televisor y sepárelo tirando del mismo hacia usted de modo que los tirantes de soporte salgan de los ganchos inferiores del bastidor de montaje.

Notas

- No sujete la parte transparente del televisor.
 - No suelte el televisor mientras lo levanta, porque el televisor podría golpear la pared y ocasionar daños.
- 3 Tome la parte saliente de los tirantes de soporte con la otra mano y deslícela hacia arriba de modo que los tirantes de soporte y el televisor queden otra vez ajustados en la posición no inclinada.
 - 4 Apriete los tornillos de fijación.
 - 5 Confirme que todos los cables conectados al televisor no estén retorcidos ni atrapados, y desenchufe entonces el cable de alimentación de CA.

ADVERTENCIA

- Asegúrese de realizar este trabajo entre dos o más personas.
- Tenga cuidado para no pillarse las manos o los dedos.



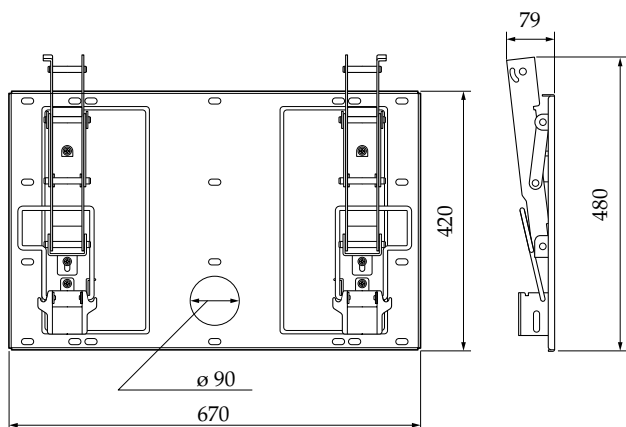
Especificaciones

Unidad: mm

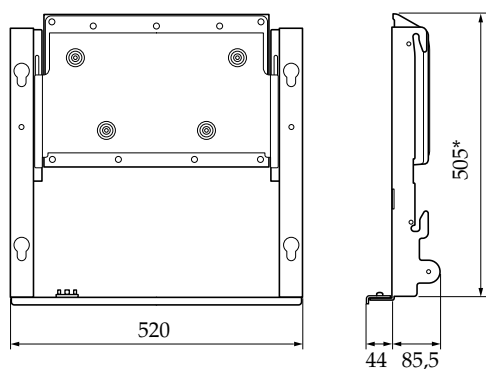
Peso: 15,0 kg

Diseño y especificaciones sujetos a cambios sin previo aviso.

PLACA



BASTIDOR DE MONTAJE

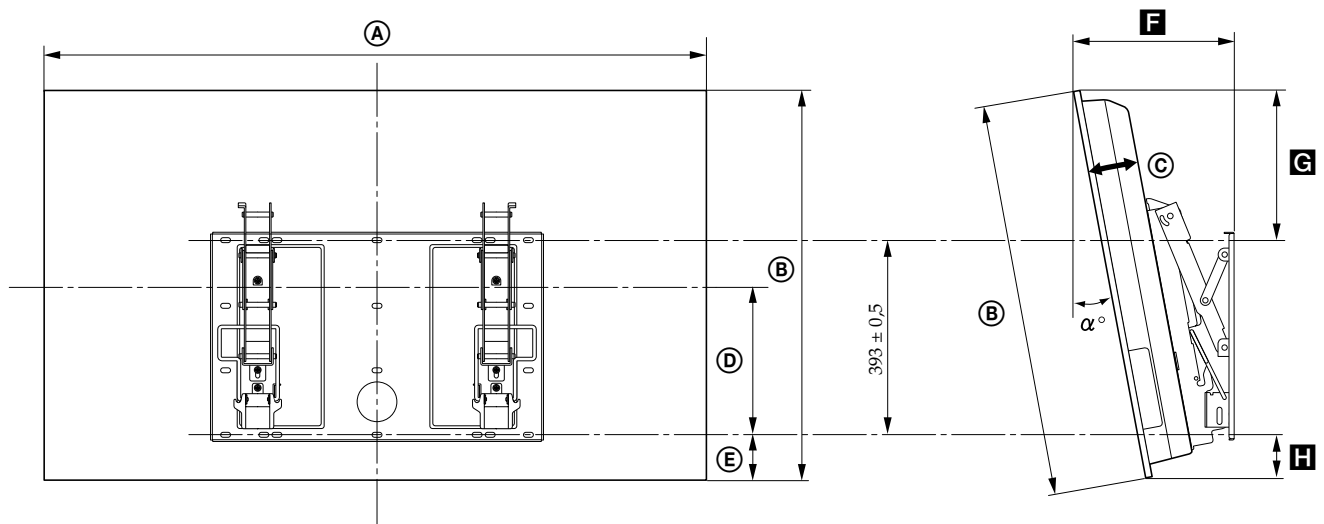


* Cuando se cambia la posición del altavoz de graves para instalar un televisor de 50 pulgadas: 590

ALTAVOZ

Altavoz	10 cm (2)
Impedancia	4 Ω
Potencia máx.	50 W

Tabla de dimensiones para la instalación del televisor

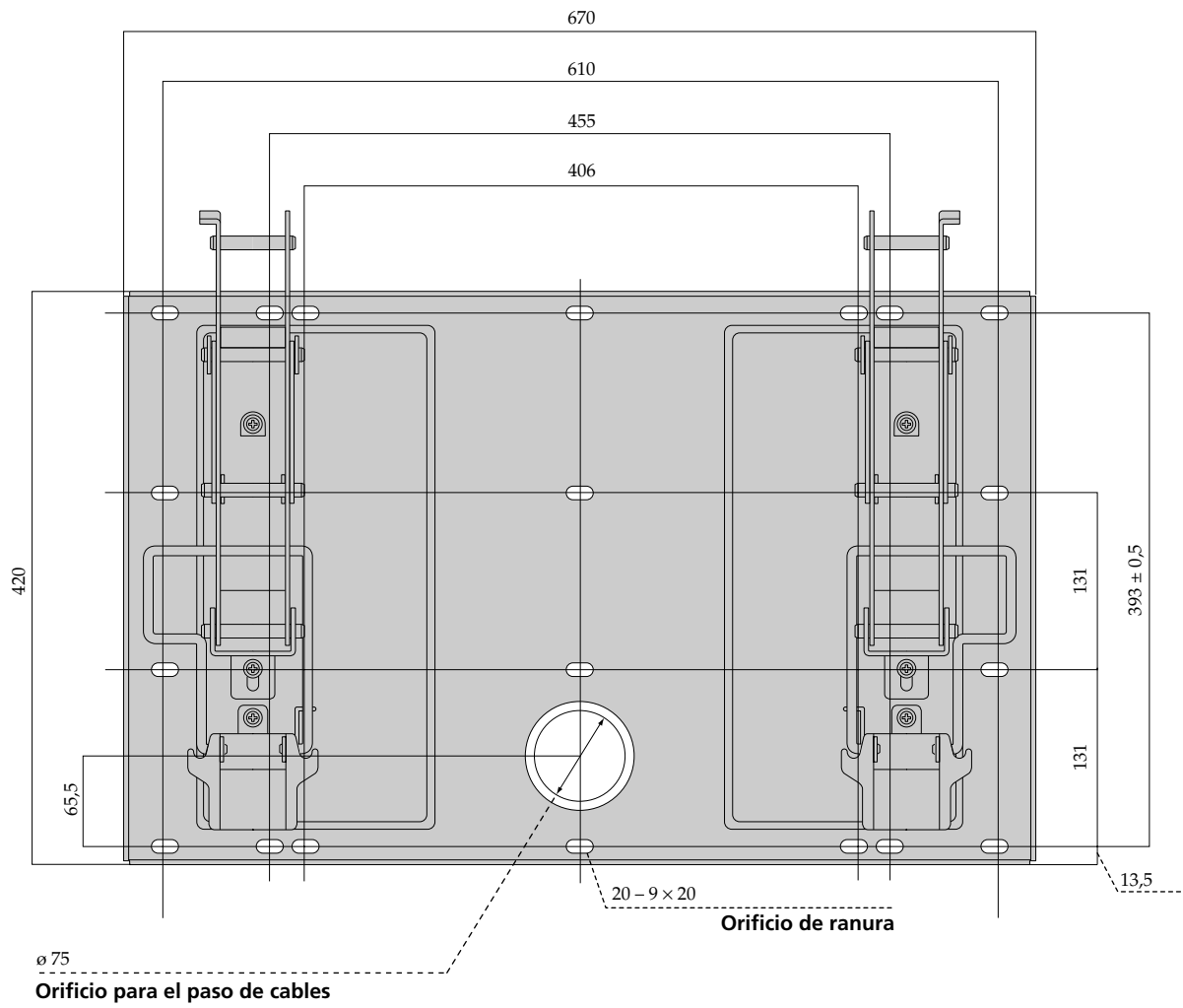


Modelo del televisor	Dimensiones del televisor					Longitud para cada ángulo de montaje				Peso	
	A	B	C	D	E	Ángulo de montaje (α°)	F	G	H	Peso	($\times 4$)*
KDE-37XS955	1048	599	89	246	58	0°	185	148	58	36kg	144kg
						5°	228	136	68		
						10°	270	122	76		
						15°	309	106	82		
						20°	346	88	84		
KDE-42XS955	1139	672	89	283	58	0°	185	221	58	42kg	168kg
						5°	235	209	68		
						10°	282	194	76		
						15°	328	176	82		
						20°	371	157	84		
KDE-50XS955	1336	789	89	343	56	0°	185	340	56	54kg	216kg
						5°	245	327	66		
						10°	303	310	74		
						15°	359	291	80		
						20°	412	268	83		

* La pared en la que se proponga instalar el televisor deberá ser capaz de soportar un peso al menos cuatro veces mayor que el peso del televisor.

Diagrama de dimensiones para preparar la pared

Unidad: mm





***FOR RESIDENTS OF THE UNITED STATES / POUR LES HABITANTS DES ETATS-UNIS /
PARA RESIDENTES DE LOS ESTADOS UNIDOS**

Accessory

LIMITED WARRANTY

Sony Electronics, Inc. ("Sony") warrants this product against defects in material or workmanship, subject to any conditions set forth as follow:

1. This warranty is expressly limited to the replacement of this product's parts and components.
2. For a period of 30 days from the date of purchase, Sony will supply parts that are determined to be defective or missing, at no charge, to the original purchaser. After the warranty period, you will be charged for all orders.

This warranty does not cover damages which occur in shipment or failures due to acts of God, accident, misuse, abuse, negligence, faulty installation, misapplication, setup, improper maintenance, commercial use, or modification of, or to any part of the product. This warranty does not cover Products sold AS IS or WITH ALL FAULTS. This warranty is valid only in the United States.

Proof of purchase in the form of a bill of sale or receipted invoice, which is evidence that the unit is within the warranty period, must be presented to obtain the replacement parts.

REPLACEMENT PARTS AS PROVIDED UNDER THIS WARRANTY ARE THE EXCLUSIVE REMEDY OF THE CONSUMER SONY SHALL NOT BE LIABLE FOR ANY INCIDENTAL OR CONSEQUENTIAL DAMAGES FOR BREACH OF ANY EXPRESS OR IMPLIED WARRANTY ON THIS PRODUCT. EXCEPT TO THE EXTENT PROHIBITED BY APPLICABLE LAW, ANY IMPLIED WARRANTY OF MERCHANTABILITY OR FITNESS FOR A PARTICULAR PURPOSE ON THIS PRODUCT IS LIMITED IN DURATION TO THE DURATION OF THIS WARRANTY.

Some states do not allow the exclusion or limitation of incidental or consequential damages, or allow limitations on how long an implied warranty lasts, so the above limitations or exclusions may not apply to you. This warranty gives you specific legal rights, and you may have other rights which vary from state to state.

In order to obtain replacement parts, please call:

Sony Customer Information Services Center
1-800-222-7669
or visit the Sony Web Site:
www.sony.com

Printed in Japan

***FOR RESIDENTS OF CANADA / POUR LES HABITANTS DU CANADA / PARA RESIDENTES DE CANADIENSES**

Please examine all packaging materials before discarding. If any parts are missing or damaged, please review the parts list found in the assembly manual, identify the missing or damaged part, and call the Sony Customer Service Center at **1-877-779-9929**

Veillez examiner tout l'emballage avant de le jeter. Si des pieces sont manquantes ou endommagées, veuillez vérifier les pièces qui se trouvent dans le manuel de montage, identifier les pieces manquantes ou endommagées, et appeler le service client de Sony au numéro **1-877-779-9929**

Por favor examine todo el material de empaque antes de tirarlo. Si cualquier parte resulta faltante o está dañada, por favor revise la lista de partes que se encuentra en el manual de ensamble, identifique la parte dañada o faltante, y llame al centro servicio al cliente de Sony al **1-877-779-9929**

<http://www.sony.net/>



Printed on 100% recycled paper using VOC
(Volatile Organic Compound)-free vegetable oil
based ink.

Printed in Japan

Free Manuals Download Website

<http://myh66.com>

<http://usermanuals.us>

<http://www.somanuals.com>

<http://www.4manuals.cc>

<http://www.manual-lib.com>

<http://www.404manual.com>

<http://www.luxmanual.com>

<http://aubethermostatmanual.com>

Golf course search by state

<http://golfingnear.com>

Email search by domain

<http://emailbydomain.com>

Auto manuals search

<http://auto.somanuals.com>

TV manuals search

<http://tv.somanuals.com>