

# *Wall-Mount Bracket*

---

Instructions \_\_\_\_\_ **GB**

Mode d'emploi \_\_\_\_\_ **FR**

Instrucciones \_\_\_\_\_ **ES**

Gebrauchsanweisung \_\_\_\_\_ **DE**

Instructies \_\_\_\_\_ **NL**

Istruzioni \_\_\_\_\_ **IT**

Instruções \_\_\_\_\_ **PT**

Vejledning \_\_\_\_\_ **DK**

Bruksanvisning \_\_\_\_\_ **SE**

## **SU-WL100**

## Thank you for purchasing this product.

### To Customers

Sufficient expertise is required for installing this product. Be sure to subcontract the installation to Sony dealers or licensed contractors and pay special attention to safety during the installation. Sony is not liable for any damages or injury caused by mishandling or improper installation, or installing any other than the specified product. Your Statutory Rights (if any) are not affected.

## WARNING

If the safety precautions are not observed or the product is used incorrectly, it may result in serious injury or fire.

This instruction manual shows the correct handling of the product and important precautions necessary to prevent accidents. Be sure to read this manual thoroughly and use the product correctly. Keep this manual available for future reference.

### To Sony dealers

Sufficient expertise is required for installing this product. Be sure to read this instruction manual thoroughly to do the installation work safely. Sony is not liable for any damages or injury caused by mishandling or improper installation. Please give this manual to the customer after installation.

## On Safety

Products by Sony are designed with safety in mind. If the products are used incorrectly, however, it may result in a serious injury through fire, electric shock, the product toppling over, or the product dropping. Be sure to observe the precautions for safety to prevent such accidents.

## CAUTION

### Specified products

**The following products are subject to change without notice, may be out of stock, or discontinued.**

**Also, certain models are sold in some regions.**

LCD Color TV	KDL-26S30xx * KLV-26V300A
--------------	------------------------------

\* In the actual model names, the “xx” indicates numbers and/or characters specific to each model.

This Wall-Mount Bracket is designed for use with the specified products above.

For other TVs, refer to their operating instructions to check if this Wall-Mount Bracket can be used.

Some TVs are supplied with a leaflet explaining how to install the Wall-Mount Bracket (“Installing the Wall-Mount Bracket”).

## To Customers

### WARNING

If the following precautions are not observed, serious injury or death through fire, electric shock, the product toppling over, or the product dropping can result.

### Be sure to subcontract the installation to licensed contractors and keep small children away during the installation.

If the Wall-Mount Bracket or the TV is not installed correctly, the following accidents may occur. Be sure licensed contractors carry out installation.

- The TV may fall and cause a serious injury such as a bruise or a fracture.
- If the wall on which the Wall-Mount Bracket is installed is unstable, uneven, or not perpendicular to the floor, the unit may fall and cause injury or property damage. The wall should be capable of supporting a weight of at least four times the TV weight. (Refer to your TV's instructions for its weight.)
- If the installation of the Wall-Mount Bracket on the wall is not sufficiently sturdy, the unit may fall and cause injury or property damage.



### Be sure to subcontract moving or dismantling of the TV to licensed contractors.

If persons other than licensed contractors transport or dismantle the TV, it may fall and cause injury or property damage.

### Do not spill liquid of any kind on the TV.

If you allow the TV to get wet, this may result in a fire or an electric shock.

### Do not remove screws, etc., after mounting the TV.

If you do so, the TV may fall and cause injury or property damage.

### Do not disassemble or make alterations to the parts of the Wall-Mount Bracket.

If you do so, the Wall-Mount Bracket may fall and cause injury or property damage.

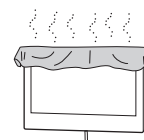


### Do not mount any equipment other than the specified product.

This Wall-Mount Bracket is designed for use with the specified product only. If you mount equipment other than specified, it may fall or break, and cause injury or property damage.

### Do not cover the ventilation holes of the TV.

If you cover the ventilation holes (with a cloth, etc.), heat may build up inside and cause fire.



### Do not apply any load other than the TV on the Wall-Mount Bracket.

If you do so, the TV may fall and cause injury or property damage.



### Do not lean on or hang from the TV.

Do not lean on or hang from the TV as it may fall on you and cause serious injury.



### Do not expose the TV to rain or moisture.

It may cause a fire or an electric shock.

### Never place the TV in hot, humid or excessively dusty places, or in a place where the TV is subjected to mechanical vibrations.

If you do so, it may cause a fire or an electric shock.

### Keep flammable objects or open flames (e.g., candles) away from the TV.

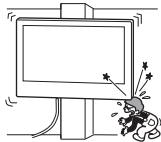
To prevent a fire, keep flammable objects or open flames (e.g., candles) away from the TV.

## CAUTION

If the following precautions are not observed, injury or property damage may occur.

### Do not install the Wall-Mount Bracket on wall surfaces where the corners or the sides of the TV protrude away from the wall surface.

Do not install the Wall-Mount Bracket on wall surfaces such as a pillar, where the corners or the sides of the TV protrude away from the wall surface. If a person or object happens to hit the protruded corner or side of the TV, it may cause injury or property damage.



### Do not handle the product with excessive force during cleaning or maintenance.

Do not apply excessive force on the topside of the TV. If you do so, the TV may fall and cause injury or property damage.

### Do not install the TV over or under an air-conditioner.

If the TV is exposed to water leaks or air current from an air-conditioner for a long time, it may cause a fire, an electric shock or a malfunction of the TV.

## Precautions

- If you use the TV installed on the Wall-Mount Bracket for a long time, the wall behind or above the TV may become discolored or the wallpaper may come unstuck, depending on the material of the wall.
- If the Wall-Mount Bracket is removed after installing it on the wall, the screw holes are left.
- If you have routed 300-ohm feeder cables behind the wall, we recommend that you change them to 75-ohm coaxial cables. If it is necessary to continue to use 300-ohm feeder cables, be sure there is sufficient space available between the TV and the feeder cables behind the wall before installing. Consult your licensed contractor regarding an appropriate location (free from radio noise, etc.) before installing.

## Installing the Wall-Mount Bracket

### To Sony Dealers

#### WARNING

##### To Customers

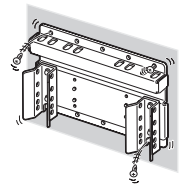
Sufficient expertise is required for installing this product. Be sure to subcontract the installation to Sony dealers or licensed contractors and pay special attention to safety during the installation.

##### To Sony Dealers

The following instructions are for Sony Dealers only. Be sure to read safety precautions described above and pay special attention to safety during the installation, maintenance and checking of this product.

### Be sure to install the Wall-Mount Bracket securely to the wall following the instructions in this instruction manual.

If any of the screws are loose or fall out, the Wall-Mount Bracket may fall and cause injury or property damage. Be sure to use the appropriate screws for the material of the wall and install the unit securely using four or more 6 mm ( $\frac{1}{4}$  inches) diameter (or equivalent) screws.



**Be sure to use the supplied screws and attachment parts properly following the instructions given in this instruction manual. If you use substitute items, the TV may fall and cause bodily injury to someone or damage to the TV.**

### Be sure to assemble the bracket properly following the instructed procedure explained in this instruction manual.

If any of the screws are loose or fall out, the TV may fall and cause bodily injury to someone or damage to the TV.

## Be sure to tighten the screws securely in the designated position.

If you fail to do so, the TV may fall and cause bodily injury to someone or damage to the TV.

## Be careful not to subject the TV to shock during installation.

If the TV is exposed to shock, it may fall or break apart. This may cause injury.

## Be sure to install the TV on a wall that is both perpendicular and flat.

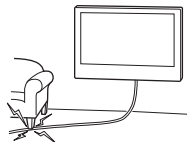
If you fail to do so, the TV may fall and cause injury.

## After proper installation of the TV, secure the cables properly.

If people or objects get tangled with cables, this may result in injury or damage to the TV.

## Do not allow the AC power cord or the connecting cable to be pinched.

If the AC power cord or the connecting cable is pinched between the unit and the wall or is bent or twisted by force, the internal conductors may become exposed and cause a short circuit or an electrical break. This may cause a fire or an electric shock.



## Be careful not to hurt your hands or fingers during the installation.

Be careful not to hurt your hands or fingers when installing the Wall-Mount Bracket or the TV.

## The screws needed to secure the Wall-Mount Bracket to the wall are not supplied.

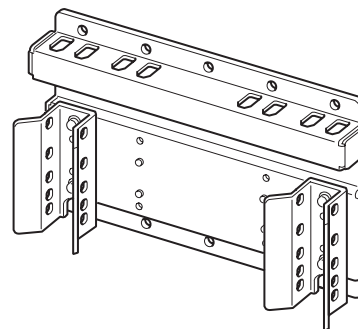
Use the appropriate screws for the wall material and structure when mounting the Wall-Mount Bracket.

### Before installation

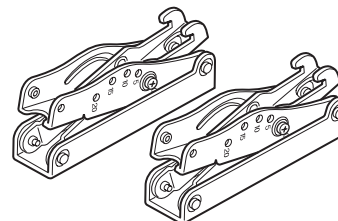
If you intend to install a TV that is not specified on page 2, be sure to refer to the leaflet "Installing the Wall-Mount Bracket" supplied with your TV.

## Step 1: Checking the parts required for the installation

- 1 Prepare four or more 6 mm ( $1/4$  inches) diameter or equivalent screws (not supplied) and a screwdriver. Select screws suitable for the material of the wall.
- 2 Unpack the carton and check to see that all the following items are included.



Base Plate (1)



Mounting Hook (2)



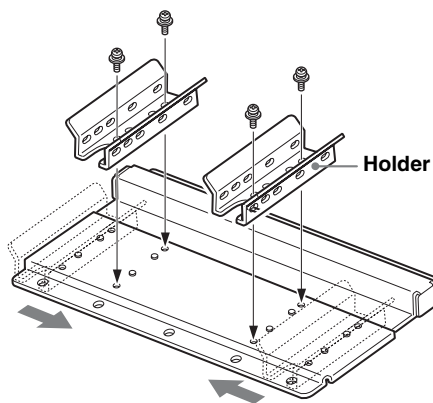
Screw (+PSW4 x 12) (6)

## Step 2: Adjusting the position of the holders of the Base Plate

1

TV screen size	Procedure
26 inch	This procedure is not necessary.
20 inch	Follow this procedure.
Other	Refer to the leaflet supplied with your TV.

- Remove the screws that secure the left and right holders to the Base Plate and move the holders to the inner position.
- Firmly secure each holder using the screws removed in the previous procedure 1.



### Notes

- When using an electric screwdriver, set the torque setting to approximately 1.5 N·m {15 kgf·cm}.
- Make sure that the four screws that secure the Base Plate and the holders are securely tightened.

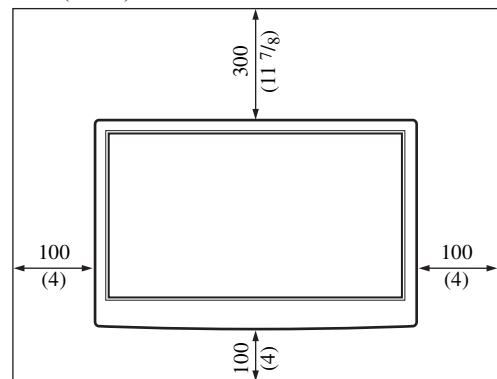
## Step 3: Deciding on the installation location

1

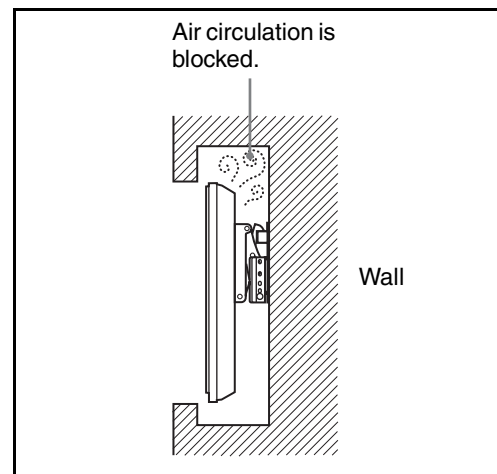
### Referring to the TV installation dimensions table on page 12, decide on the installation location.

Allow for suitable clearance between the TV and the ceiling and protruding parts of the wall as shown below.

Unit: mm (inches)



Never install the TV set as shown below:



### Note

If you intend to route the cables in the wall, make a hole in the wall to insert the cables before beginning the installation.

## 2 Referring to the Wall mounting dimensions diagram on page 13, determine the positions of the screws for installing the Base Plate.

### WARNING

The wall that the TV will be mounted on should be able to support a weight of at least **four times** that of the TV. (Refer to your TV's instructions for its weight.)

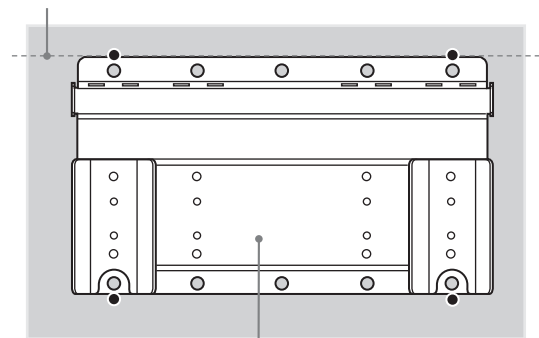
Determine the strength of the wall the TV will be mounted on. Reinforce the wall sufficiently, if necessary.

## Step 4: Installing the Base Plate on the wall

### 1 Secure the Base Plate to the wall using four or more 6 mm (1/4 inches) diameter or equivalent screws (not supplied).

Select four screw holes with the ● mark shown in the diagram below and tighten the screws securely so that they will not become loose.

Align the unit so that it is level.



Base Plate

### WARNING

- The screws required for this procedure are not supplied. Select screws suitable for the material and structure of the wall.
- If the Base Plate cannot be attached securely enough, use additional screws.
- Be sure to confirm that the Base Plate is securely attached to the wall.

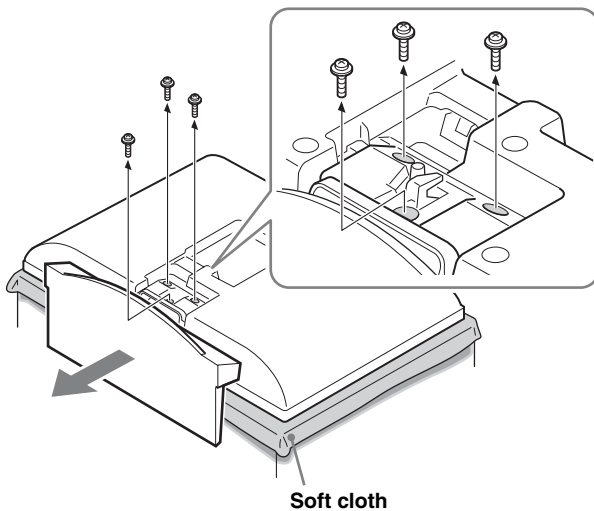
## Step 5: Preparing for the installation of the TV

If you intend to install a TV that is not specified on page 2, be sure to refer to the leaflet "Installing the Wall-Mount Bracket" supplied with your TV.

### 1 Remove the screws from the rear of the TV. Then detach the Table-Top Stand from the TV.

Place the TV with its screen facing down on a stable cloth-covered work surface.

**For the following TV users:**  
KDL-26S30xx \*/KLV-26V300A



\* In the actual model names, the "xx" indicates numbers and/or characters specific to each model.

#### Notes

- When removing the Table-Top Stand from the TV, lay the display face down on a stable work surface that is larger than the TV.
- To prevent damaging the surface of the LCD display, make sure to place a soft cloth on the work surface.

#### CAUTION

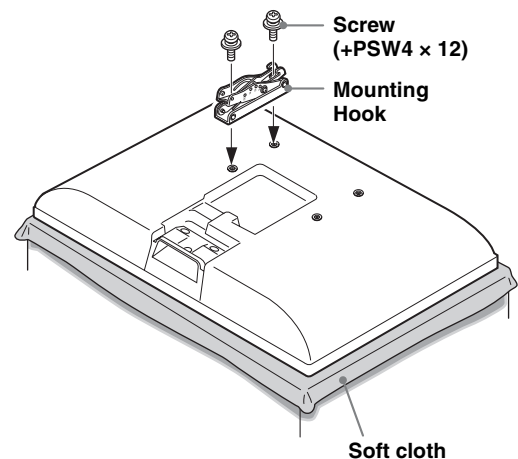
- If pressure or shock is applied to the surface of the TV, the LCD display may break or become damaged.
- Lay the display face down on a stable and level surface with the Table-Top Stand hanging over the edge of the surface. Having the display face and the base of the Table-Top Stand on the same level surface will create an unstable working condition and can damage the TV.
- When detaching the Table-Top Stand from the TV, hold the Table-Top Stand securely with both hands.

When using an electric screwdriver, set the torque setting to approximately 1.5 N·m {15 kgf·cm}.

Do not lift the Mounting Hook before the screws (two screws each for left/right) are secured. This may distort the Mounting Hook or the TV cabinet.

### 2 Secure the Mounting Hook from the left side of the rear of the TV.

- 1 Secure the Mounting Hook to the rear of the TV temporarily, using the supplied two screws (+PSW4 × 12).
- 2 Be sure that both screws are tightened securely with equal torque strength to the rear of the TV.



#### Notes

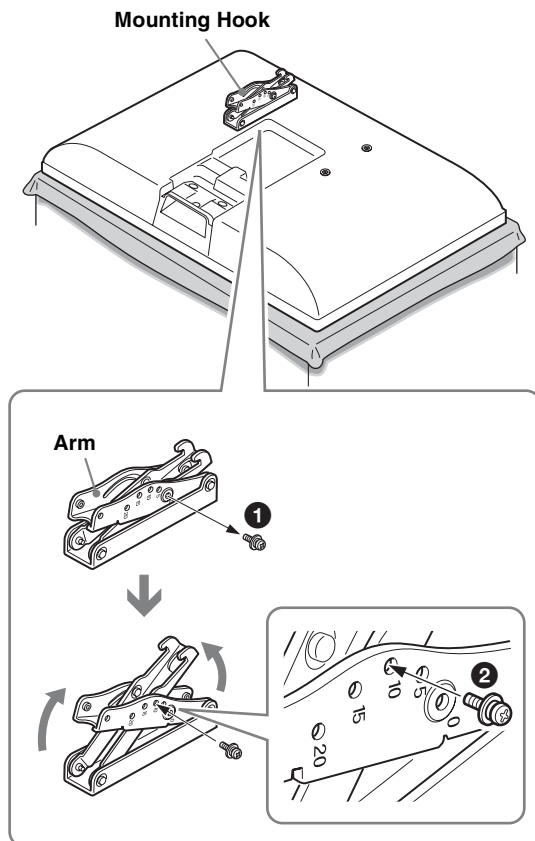
- If you install the right Mounting Hook first, it will be difficult to adjust its angle. Install the left Mounting Hook first.
- Be sure not to use any screws other than the supplied ones (+PSW4 × 12) when securing the Mounting Hook.



### 3 Adjust the angle of the Mounting Hook.

When installing the TV parallel to the wall (0 degrees), adjustment of the Mounting Hook angle (procedures ① and ② below) is not necessary.

- ① Remove the angle adjusting screw from the arm of the Mounting Hook. Choose the holes corresponding to the desired angle (5, 10, 15 or 20 degrees).
- ② Firmly secure the arm using the screw removed in the previous procedure ①.



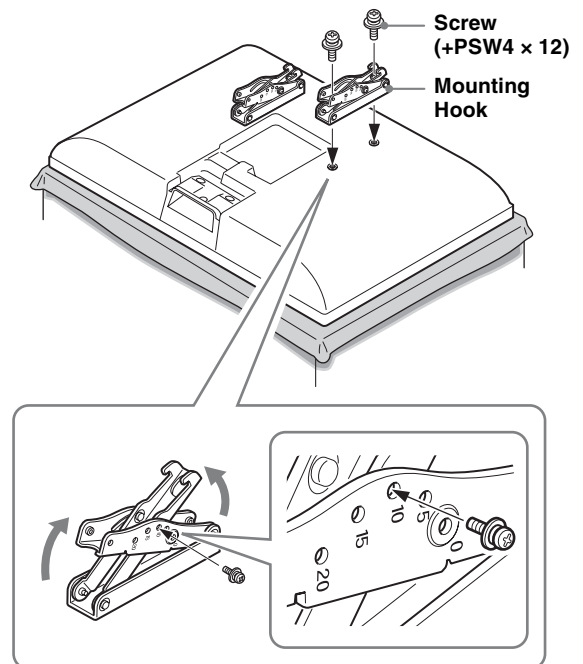
#### CAUTION

Be careful not to pinch your fingers when adjusting the angle of the Mounting Hook.

### 4 Secure the Mounting Hook to the right side of rear of the TV.

- ① Secure the Mounting Hook to the rear of the TV temporarily, using the supplied two screws (+PSW4 × 12).
- ② Be sure that both screws are tightened securely with equal torque strength to the rear of the TV.

If you adjusted the left angle of the Mounting Hook, also perform the same adjustment as in 3 of Step 5 “Adjust the angle of the Mounting Hook” for the right.



#### Notes

- Be sure to adjust the right and left arms to the same angle.
- Make sure that the two arm bases are screwed in securely.

## Step 6: Installing the TV on the wall

If you intend to install a TV that is not specified on page 2, be sure to refer to the leaflet "Installing the Wall-Mount Bracket" supplied with your TV.

### WARNING

Be sure to complete the installation before connecting the AC power cord to the wall outlet. If you allow the AC power cord to be pinched under or between pieces of equipment, this may result in a short circuit or an electric shock.

Be careful not to stumble over the AC power cord or the TV, as you may hurt yourself.

## 1 Connect the AC power cord and the connecting cable(s) supplied with the TV to the TV.

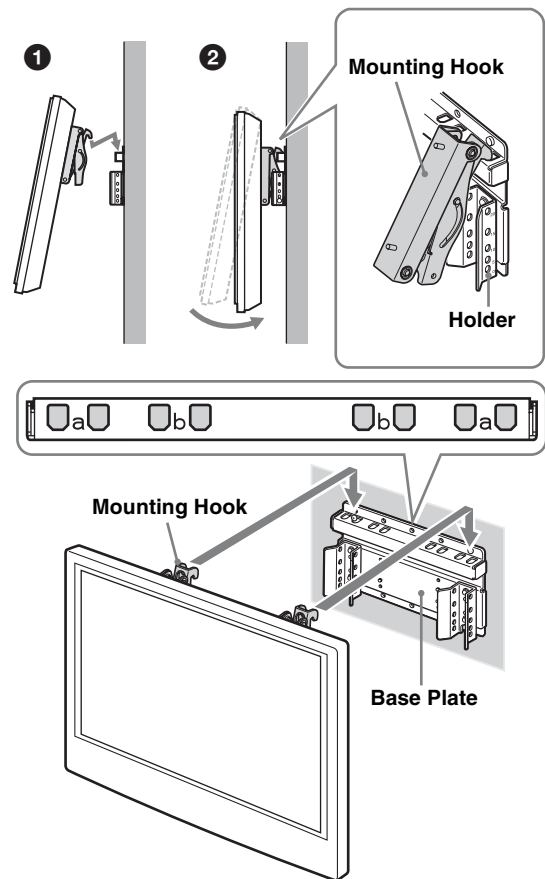
Connect the AC power cord and the connecting cable(s) to the connectors on the rear of the TV. For details on connecting the AC power cord and the connecting cable(s), refer to the instruction manual of the TV.

### Notes

- You cannot connect the cables to the TV after installing it on the Base Plate.
- Subcontract the cable routing in the wall to a licensed contractor.

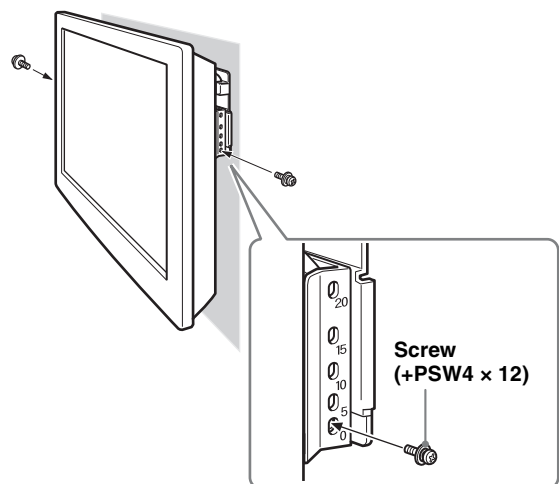
## 2 Install the TV onto the Base Plate.

- 1 Referring to the Hook locations diagram/table on page 13, determine the holes of the Base Plate for latching the upper hooks of the Mounting Hook.
- 2 Hold the TV securely with both hands, and gently align it on the wall.



## 3 Firmly secure the TV and the Base Plate using the two supplied screws (+PSW4 × 12).

Secure the screw to the same angle mark that you adjusted in 3 of Step 5.



### Note

When using an electric screwdriver, set the torque setting to approximately 1.5 N·m {15 kgf·cm}.

### WARNING

Be sure to tighten both left and right securing screws firmly. If you fail to do so, the TV may fall when it is pushed upward and cause injury.

## Confirming the completion of the installation

### Check the following points.

- The hooks of the Mounting Hook are firmly latched in the holes of the Base Plate.
- The cord and the cable are not twisted or pinched.
- The two screws that secure the Mounting Hook and the Base Plate are securely tightened.

#### WARNING

Do not adjust the angle of the Mounting Hook when the TV is installed on the wall and be sure to install completely. It may cause the product to fall and result in injury or product damage. Also, improper placement of the AC power cord, etc., may cause fire or electric shock through a short circuit.

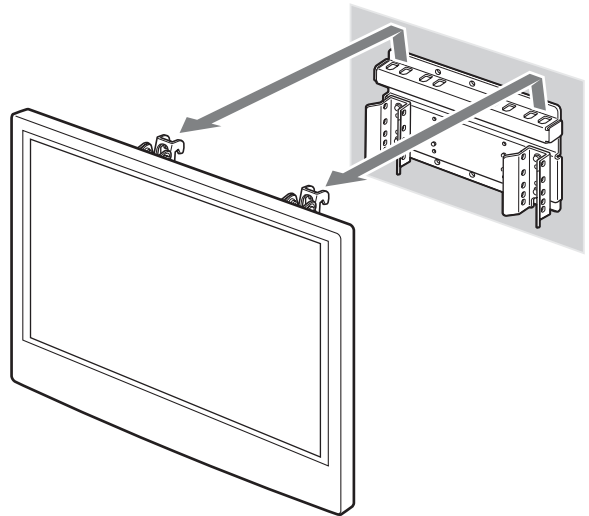
Be sure to confirm the completion of the installation for safety.

## When removing the TV

### To Sony Dealers

- 1 Unplug the AC power cord from the wall outlet.**
- 2 Remove the two screws which secure the TV and the Base Plate. (Refer to 3 of Step 6 on page 10 for the screw positions.)**

- 3 Be sure to hold the TV and slide it upward to remove the TV.**



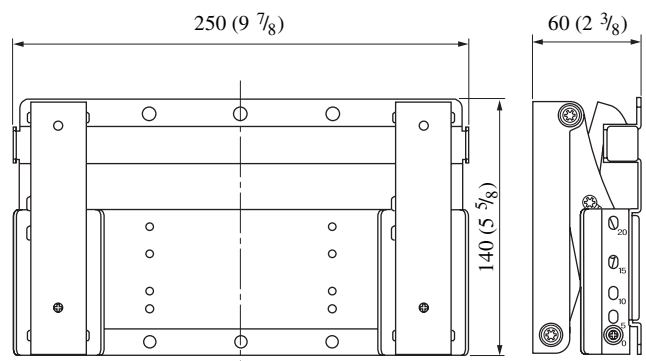
#### CAUTION

- Be careful not to allow the cord and cables to get caught when removing the TV.
- Be careful not to hurt your hands or fingers when removing the TV.

## Specifications

Unit: mm (inches)

Weight: 1.2 kg (2 lb 11 oz)

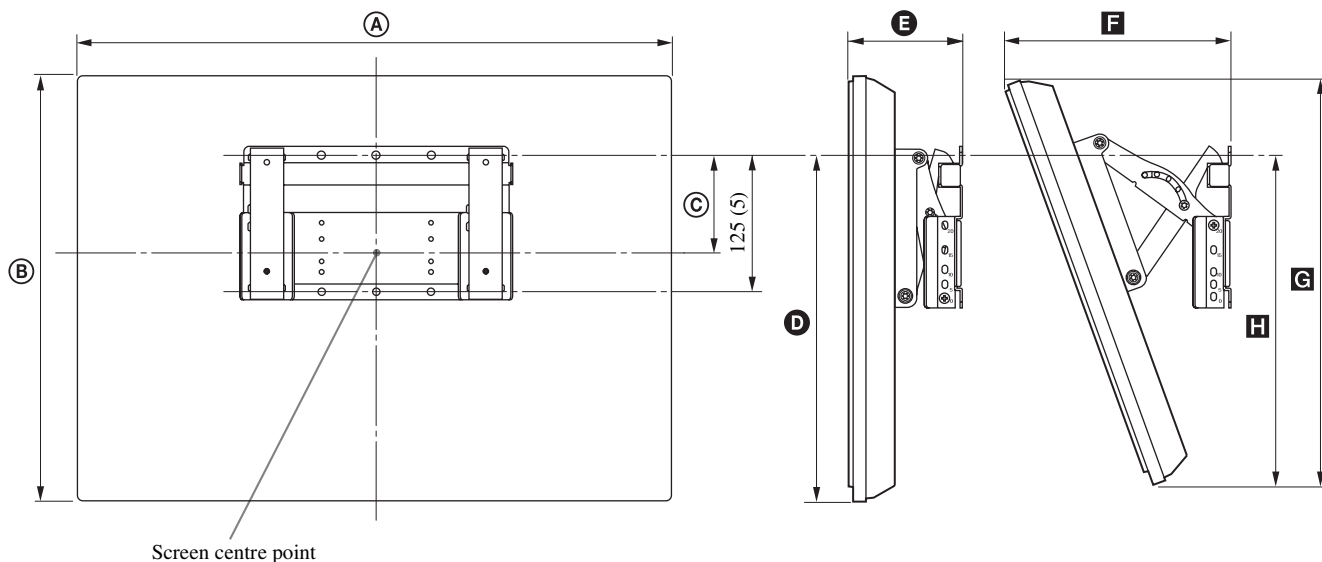


Design and specifications are subject to change without notice.

# TV installation dimensions table

The table below shows the dimensions of the TV that is mounted on this product. Refer to this table to decide on the installation location.

If you intend to install a TV that is not specified below, be sure to refer to the leaflet "Installing the Wall-Mount Bracket" supplied with your TV.



Unit: mm (inches)

Model Name	Display dimensions		Screen centre dimension	Length for each mounting angle				
				Angle (0°)		Angle (20°)		
	A	B	C	D	E	F	G	H
<b>KDL-26S30xx */KLV-26V300A</b>	656 (25 7/8)	452 (17 7/8)	107 (4 1/4)	355 (14)	156 (6 1/4)	256 (10 1/8)	443 (17 1/2)	358 (14 1/8)

Some models may not be available in certain regions.  
Figures in the above table may differ slightly depending on the installation.

\* In the actual model names, the "xx" indicates numbers and/or characters specific to each model.

## Note

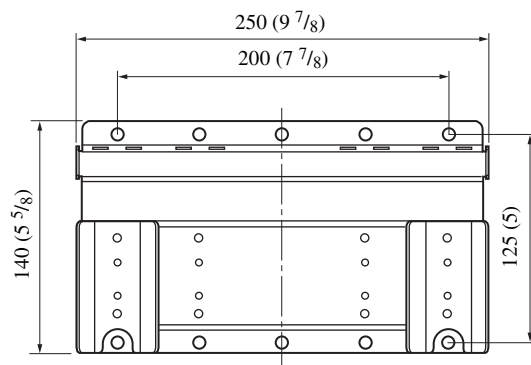
For the European model of KDL-26S30xx, the dimension differs from those indicated in the table above. Refer to the leaflet supplied with your TV.

## WARNING

The wall that the TV will be installed on should be capable of supporting a weight of at least four times that of the TV. Refer to your TV's instructions for its weight.

# Wall mounting dimensions diagram

Unit: mm (inches)

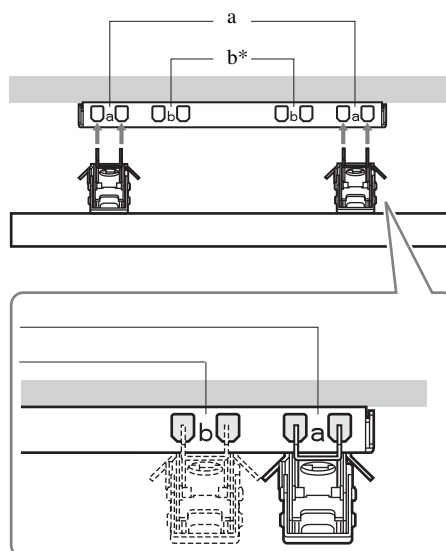


# Hook locations diagram/table

Model Name	Hook location
KDL-26S30xx * KLV-26V300A	a

Some models may not be available in certain regions.

\* In the actual model names, the "xx" indicates numbers and/or characters specific to each model.



\* Hook position "b" cannot be used for the models in the left table.

## Nous vous remercions d'avoir fait l'acquisition de ce produit.

### À l'attention des clients

L'installation de ce produit exige un certain savoir-faire. Veuillez à confier l'installation à des revendeurs Sony ou à des installateurs agréés et portez une attention particulière aux consignes de sécurité pendant l'installation. Sony ne saurait être tenue responsable de tout dommage ou de toute blessure découlant d'une mauvaise utilisation ou d'une installation incorrecte, ou encore de l'installation d'un produit autre que celui spécifié. Vos droits légaux (éventuels) ne sont pas affectés.

## AVERTISSEMENT

Le non-respect des consignes de sécurité ou l'utilisation incorrecte de ce produit peut provoquer un incendie ou des blessures graves.

Ce mode d'emploi indique comment manipuler le produit correctement et contient des précautions essentielles à prendre pour éviter tout accident. Lisez attentivement ce mode d'emploi et veillez à utiliser le produit correctement. Conservez ce mode d'emploi afin de pouvoir le consulter ultérieurement.

### À l'attention des détaillants Sony

L'installation de ce produit exige un certain savoir-faire. Lisez attentivement ce mode d'emploi afin de procéder à l'installation en toute sécurité. Sony ne saurait être tenue responsable de tout dommage ou de toute blessure découlant d'une mauvaise utilisation ou d'une installation incorrecte. Une fois l'installation terminée, remettez ce manuel au client.

## Sécurité

Les produits Sony sont conçus pour vous offrir le maximum de sécurité. Toutefois, si les produits sont utilisés de façon incorrecte, ils peuvent entraîner des blessures graves en provoquant un incendie ou l'électrocution, ou encore la chute de l'appareil hors de son support. Veuillez à observer les consignes de sécurité préconisées pour éviter de tels accidents.

## ATTENTION

### Produits spécifiés

**Les produits suivants sont susceptibles d'être modifiés sans avis préalable, de ne plus être en stock ou de ne plus être fabriqués. De plus, certains modèles sont propres à des régions spécifiques.**

Téléviseur couleur LCD	KDL-26S30xx * KLV-26V300A
------------------------	------------------------------

\* Dans les noms de modèle réels, « xx » indique des chiffres et/ou des caractères propres à chaque modèle.

Ce support de fixation murale est conçu pour être utilisé avec les produits spécifiés ci-dessus.

Pour les autres téléviseurs, reportez-vous au mode d'emploi qui les accompagne pour savoir si vous pouvez utiliser le support de fixation murale.

Certains téléviseurs sont fournis avec un dépliant qui explique comment installer le support de fixation murale (« Installation du support de fixation murale »).

## À l'attention des clients

### AVERTISSEMENT

Le non-respect des consignes suivantes peut être fatal ou entraîner des blessures graves en provoquant un incendie ou l'électrocution, ou encore la chute de l'appareil hors de son support.

### Veillez à confier l'installation à du personnel agréé en tenant les petits enfants à l'écart pendant l'installation.

Si le support de fixation murale ou le téléviseur n'est pas installé correctement, les accidents suivants peuvent se produire. Veillez à confier l'installation à des installateurs agréés.

- Le téléviseur peut tomber et causer des blessures graves comme des hématomes ou des fractures.
- Si le mur sur lequel le support de fixation murale est fixé est instable, inégal ou non perpendiculaire au sol, l'appareil risque de tomber et de provoquer des blessures ou des dégâts matériels. Le mur doit pouvoir supporter un poids équivalent à au moins quatre fois celui du téléviseur. (Pour connaître le poids du téléviseur, reportez-vous à son mode d'emploi.)
- Si l'installation du support de fixation murale n'est pas assez solide, l'appareil risque de tomber et de provoquer des blessures ou des dégâts matériels.



### Veillez à confier le déplacement ou le démontage du téléviseur à des installateurs agréés.

Si des personnes autres que des installateurs agréés transportent ou démontent le téléviseur, celui-ci peut tomber et provoquer des blessures ou des dégâts matériels.

### Ne renversez aucun liquide sur le téléviseur.

Si le téléviseur est humide, cela peut entraîner un incendie ou l'électrocution.

### Ne retirez pas les vis, etc. après l'installation du téléviseur.

Le téléviseur risquerait alors de tomber et de provoquer des blessures ou des dégâts matériels.

### Ne démontez pas et ne modifiez pas les pièces du support de fixation murale.

Dans ce cas, le support de fixation murale risque de tomber et de provoquer des blessures ou des dégâts matériels.

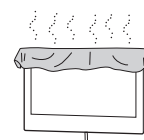


### N'installez aucun appareil autre que ceux spécifiés.

Ce support de fixation murale est conçu pour être utilisé avec les produits spécifiés uniquement. Si vous installez un appareil autre que ceux spécifiés, il risque de tomber ou de se briser et de provoquer des blessures ou des dégâts matériels.

### Ne couvrez pas les orifices de ventilation du téléviseur.

Si vous couvrez les orifices de ventilation (avec du tissu ou tout autre matériau), l'appareil risque de surchauffer et de provoquer un incendie.



### N'installez aucune charge autre que le téléviseur sur le support de fixation murale.

Sinon, le téléviseur risquerait de tomber et de provoquer des blessures ou des dégâts matériels.



### Ne vous appuyez pas sur le téléviseur et ne vous y suspendez pas.

Ne vous appuyez pas sur le téléviseur et ne vous y suspendez pas, car il risquerait de tomber et de provoquer des blessures graves.



### N'exposez pas le téléviseur à la pluie ou à l'humidité.

Il risquerait alors de provoquer un incendie ou l'électrocution.

### N'installez jamais le téléviseur dans un endroit extrêmement chaud, humide ou poussiéreux ou encore dans un endroit où il serait soumis à des vibrations mécaniques.

Il risquerait alors de provoquer un incendie ou l'électrocution.

### Tenez les objets inflammables et les flammes nues (bougie, etc.) à l'écart du téléviseur.

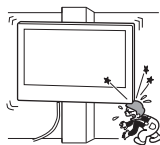
Pour éviter les risques d'incendie, ne placez pas d'objets inflammables ou de corps incandescents (une bougie, par exemple) à proximité du téléviseur.

## ATTENTION

Le non-respect des consignes suivantes peut entraîner des blessures ou des dégâts matériels.

### N'installez pas le support de fixation murale sur une surface qui laisserait dépasser les coins ou les côtés du téléviseur.

N'installez pas le support de fixation murale sur une surface verticale telle qu'une colonne, qui laisserait dépasser les coins ou les côtés du téléviseur. Si une personne ou un objet venait à heurter un coin ou un côté du téléviseur, cela risquerait de provoquer des blessures ou des dégâts matériels.



### Ne soumettez l'appareil à aucune force excessive au cours de son entretien ou de son nettoyage.

N'exercez aucune pression excessive sur le dessus du téléviseur. Le téléviseur risquerait alors de tomber et de provoquer des blessures ou des dégâts matériels.

### N'installez pas le téléviseur sur ou sous un climatiseur.

L'exposition prolongée du téléviseur à des fuites d'eau ou à des courants d'air provenant du climatiseur risque de provoquer un incendie, l'électrocution ou encore d'altérer le fonctionnement de l'appareil.

## Précautions

- Le téléviseur étant fixé au support de fixation murale, son utilisation prolongée peut décolorer le mur ou décoller le papier peint, selon le matériau de la paroi.
- Les trous des vis restent apparents si vous démontez le support de fixation murale après son installation.
- Si vous avez fait passer des câbles de 300 ohms dans les parois murales, nous vous recommandons de les remplacer par des câbles coaxiaux de 75 ohms. Toutefois, s'il est nécessaire de continuer à utiliser des câbles de 300 ohms, un espace suffisamment important doit être prévu entre eux et le téléviseur, derrière la paroi, avant de procéder à l'installation. Consultez votre installateur agréé pour choisir un emplacement approprié (à l'abri des interférences radio, etc.) avant de commencer l'installation.

## Installation du support de fixation murale

### À l'attention des détaillants Sony

#### AVERTISSEMENT

##### À l'attention des clients

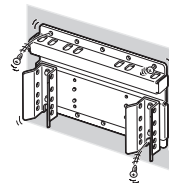
L'installation de ce produit exige un certain savoir-faire. Veuillez à confier l'installation à des revendeurs Sony ou à des installateurs agréés et portez une attention particulière aux consignes de sécurité pendant l'installation.

##### À l'attention des détaillants Sony

Les instructions suivantes concernent les détaillants Sony uniquement. Lisez attentivement les consignes de sécurité ci-dessus et accordez une attention particulière à la sécurité lors de l'installation, de l'entretien et de la vérification de ce produit.

### Veillez à installer solidement le support de fixation murale en suivant les instructions de ce mode d'emploi.

S'il manque des vis ou si elles sont desserrées, le support de fixation murale pourrait tomber et provoquer des blessures ou des dommages matériels. Veuillez à utiliser les vis appropriées selon le matériau du mur et installez l'appareil solidement en utilisant au moins quatre vis de 6 mm ( $1/4$  pouces) de diamètre (ou équivalentes).



**Veillez à utiliser correctement les vis et les pièces de fixation fournies conformément aux instructions du mode d'emploi. Si vous utilisez d'autres éléments de fixation, le téléviseur risque de tomber et de provoquer des blessures corporelles ou d'être endommagé.**

### Veillez à monter correctement le support en suivant la procédure décrite dans ce mode d'emploi.

S'il manque des vis ou si elles sont desserrées, le téléviseur risque de tomber et de provoquer des blessures corporelles ou d'être endommagé.



## Veillez à serrer les vis solidement dans la position indiquée.

Si vous oubliez, le téléviseur risque de tomber et de provoquer des blessures corporelles ou d'être endommagé.

## Veillez à ne pas soumettre le téléviseur à des chocs pendant l'installation.

Si le téléviseur subit des chocs, il risque de tomber ou de se briser. Ceci pourrait causer des blessures.

## Veillez à installer le téléviseur sur un mur parfaitement vertical et plat.

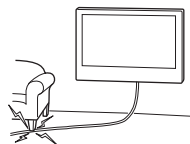
Sinon, le téléviseur risque de tomber et de provoquer des blessures.

## Une fois le téléviseur correctement installé, fixez solidement les câbles.

Si des personnes ou des objets s'accrochent aux câbles, cela risque de provoquer des blessures ou d'endommager le téléviseur.

## Veillez à ce que le cordon d'alimentation CA ou le câble de raccordement ne soit ni coincé, ni écrasé.

Si le cordon d'alimentation CA ou le câble de raccordement est coincé entre l'appareil et le mur, ou s'il est plié ou tordu, les conducteurs internes risquent d'être mis à nu et de provoquer un court-circuit ou une coupure électrique, ce qui risque d'entraîner un incendie ou l'électrocution.



## Veillez à ne pas vous blesser les mains ou les doigts au cours de l'installation.

Prenez garde à ne pas vous blesser les mains ou les doigts pendant l'installation du support de fixation murale ou du téléviseur.

## Les vis nécessaires à l'installation du support de fixation murale au mur ne sont pas fournies.

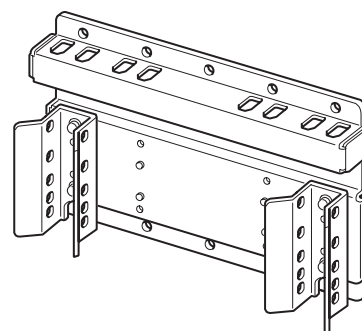
Utilisez les vis adaptées au matériau et à la structure du mur lors du montage du support de fixation murale.

### Avant l'installation

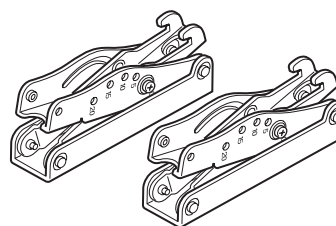
Si vous avez l'intention d'installer un téléviseur non repris à la page 2, reportez-vous au dépliant « Installation du support de fixation murale » qui l'accompagne.

## Étape 1 : Vérification des pièces requises pour l'installation

- 1 Préparez au moins quatre vis de 6 mm (1/4 pouces) de diamètre ou équivalentes (non fournies) et un tournevis. Choisissez des vis adaptées au matériau et au mur.
- 2 Ouvrez l'emballage et vérifiez s'il contient bien tous les éléments suivants.



Plaque de base (1)



Crochet de fixation (2)



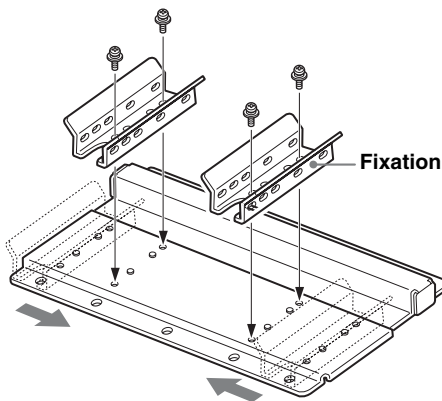
Vis (+PSW4 x 12) (6)

## Étape 2 : Réglage de la position des supports de la plaque de base

1

Taille de l'écran du téléviseur	Procédure
26 pouces	La procédure est superflue.
20 pouces	Suivez cette procédure.
Autre	Reportez-vous au guide fourni avec votre téléviseur.

- Retirez les vis qui maintiennent en place les fixations gauche et droite à la plaque de base, puis déplacez les fixations vers l'intérieur.
- Fixez convenablement chaque fixation à l'aide des vis que vous avez retirées dans la procédure précédente 1.



### Remarques

- Si vous utilisez un tournevis électrique, réglez son couple sur 1,5 N·m { 15 kgf·cm } environ.
- Assurez-vous que les quatre vis de maintien de la plaque de base et des fixations sont convenablement serrées.

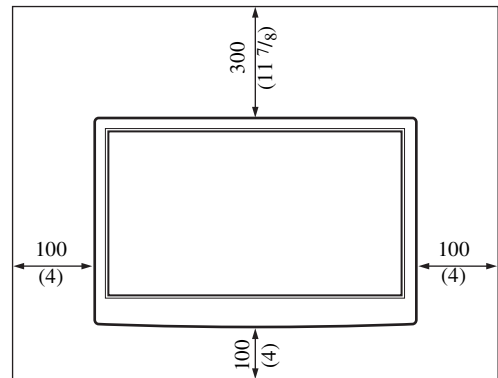
## Étape 3 : Choix de l'emplacement d'installation

1

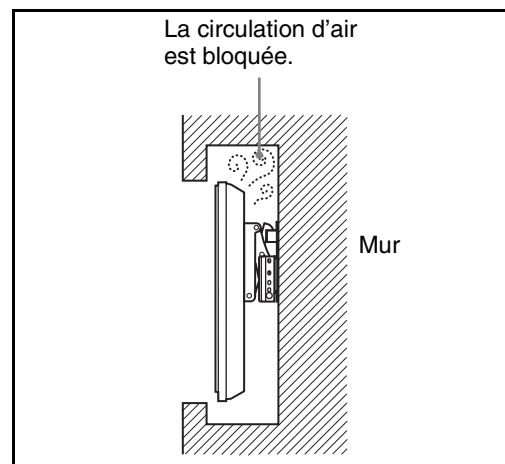
### Reportez-vous au tableau des dimensions d'installation des téléviseurs à la page 12 pour choisir l'emplacement d'installation.

Prévoyez un espace suffisant entre le téléviseur et le plafond ainsi que les parties saillantes du mur, tel qu'indiqué ci-dessous.

Unité : mm (pouces)



N'installez jamais le téléviseur de la manière illustrée ci-dessous :



### Remarque

Si vous envisagez d'acheminer les câbles à travers la paroi murale, percez un trou dans le mur et insérez-y les câbles avant de commencer l'installation.

## 2 En vous reportant au Schéma des dimensions de fixation au mur de la page 13, déterminez les emplacements des vis d'installation de la plaque de base.

### AVERTISSEMENT

Le mur sur lequel vous fixez le téléviseur doit pouvoir supporter un poids équivalent à au moins **quatre fois** celui du téléviseur (reportez-vous au mode d'emploi du téléviseur pour connaître son poids).

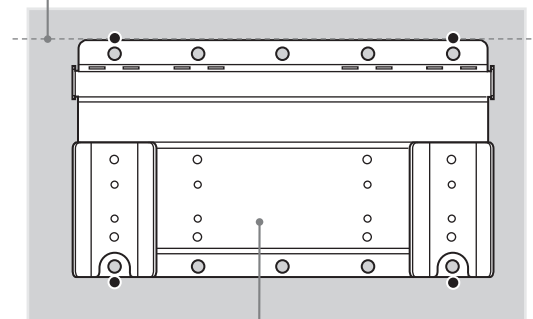
Déterminez la solidité du mur sur lequel vous allez fixer le téléviseur. Au besoin, renforcez suffisamment le mur.

## Étape 4 : Installation de la plaque de base au mur

### 1 Fixez au mur la plaque de base à l'aide d'au moins quatre vis de 6 mm (1/4 pouces) de diamètre ou équivalentes (non fournies).

Sélectionnez au moins quatre trous de vis possédant le même symbole ● dans le schéma ci-dessous et serrez solidement les vis afin qu'elles ne se détachent pas.

Alignez l'appareil de façon à ce qu'il soit de niveau.



Plaque de base

### AVERTISSEMENT

- Les vis requises pour cette procédure ne sont pas fournies. Sélectionnez des vis adaptées au matériau et à la structure du mur.
- Si vous ne parvenez pas à fixer assez solidement la plaque de base, utilisez des vis supplémentaires.
- N'oubliez pas de vérifier que la plaque de base est solidement fixée au mur.

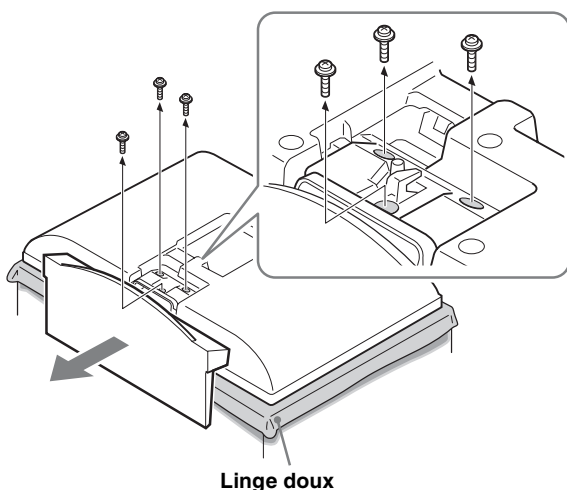
## Étape 5 : Préparation de l'installation du téléviseur

Si vous avez l'intention d'installer un téléviseur non repris à la page 2, reportez-vous au dépliant « Installation du support de fixation murale » qui l'accompagne.

### 1 Retirez les vis situées à l'arrière du téléviseur. Ensuite, détachez le support de table du téléviseur.

Placez le téléviseur, écran vers le bas, sur une surface de travail stable recouverte d'un linge.

**Pour les utilisateurs des téléviseur suivants:**  
KDL-26S30xx \*/KLV-26V300A



\* Dans les noms de modèle réels, « xx » indique des chiffres et/ou des caractères propres à chaque modèle.

#### Remarques

- Lorsque vous retirez le support de table du téléviseur, posez la face de l'écran sur une surface de travail stable de dimensions supérieures à celles du téléviseur.
- Pour éviter d'endommager la surface de l'écran LCD, veillez à recouvrir la surface de travail d'un linge doux.

#### ATTENTION

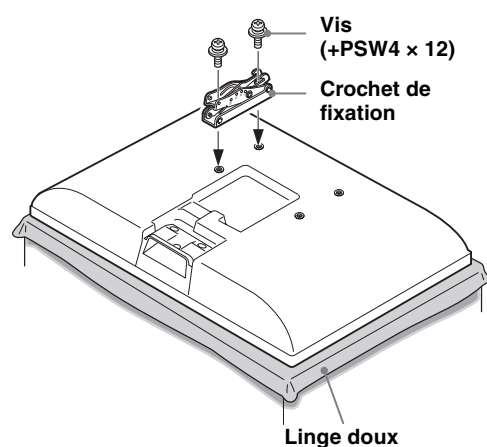
- Si la surface du téléviseur subit une pression ou un choc, l'écran LCD risque de se briser ou d'être endommagé.
- Posez le téléviseur, écran vers le bas, sur une surface stable horizontale en laissant le support de table dépasser au-delà du bord de la surface. Si la face avant de l'écran et la base du support de table se trouvent sur la même surface horizontale, vous risquez de travailler dans des conditions instables et d'endommager le téléviseur.
- Lorsque vous détachez le support de table du téléviseur, saisissez fermement le support de table avec les deux mains.

Si vous utilisez un tournevis électrique, réglez son couple sur 1,5 N·m { 15 kgf·cm } environ.

Ne soulevez pas le crochet de fixation avant d'avoir convenablement serré les vis (deux vis de chacun des côtés gauche/droit). Vous risqueriez de déformer le boîtier du téléviseur ou de le faire tomber.

### 2 Fixez le crochet de fixation du côté gauche, à l'arrière du téléviseur.

- 1 Fixez temporairement le crochet de fixation à l'arrière du téléviseur à l'aide des deux vis fournies (+PSW4 × 12).
- 2 Assurez-vous que les deux vis sont serrées convenablement, au même couple, à l'arrière du téléviseur.



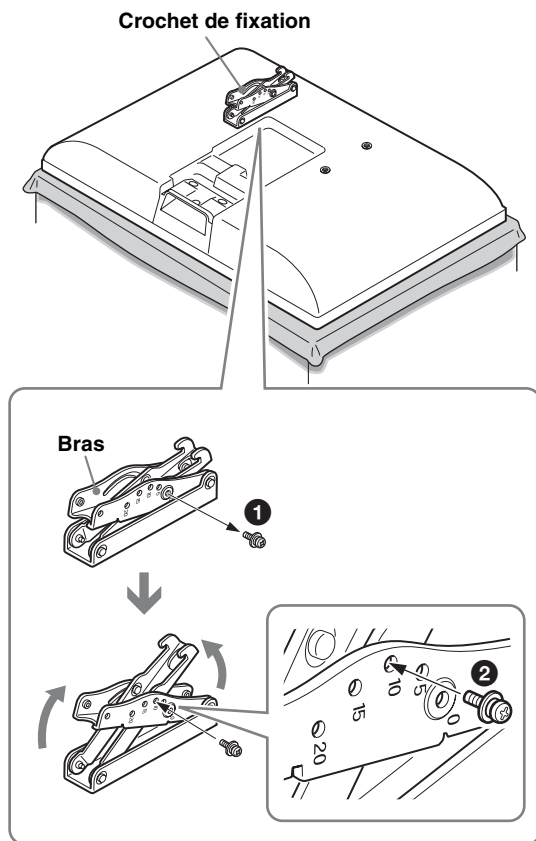
#### Remarques

- Si vous installez d'abord le crochet de fixation droit, vous éprouverez des difficultés à régler son angle. Commencez par installer le crochet de fixation gauche.
- Veillez à utiliser exclusivement les vis fournies (+PSW4 × 12) pour fixer le crochet de fixation.

### 3 Réglez l'angle du crochet de fixation.

Si vous installez le téléviseur parallèlement au mur (0 degré), il n'est pas nécessaire de régler l'angle du crochet de fixation (procédures ❶ et ❷ ci-dessous).

- ❶ Retirez la vis de réglage de l'angle au niveau du bras du crochet de fixation. Choisissez les trous correspondant à l'angle souhaité (5, 10, 15 ou 20 degrés).
- ❷ Fixez convenablement chaque bras à l'aide de la vis que vous avez retirée dans la procédure précédente ❶.



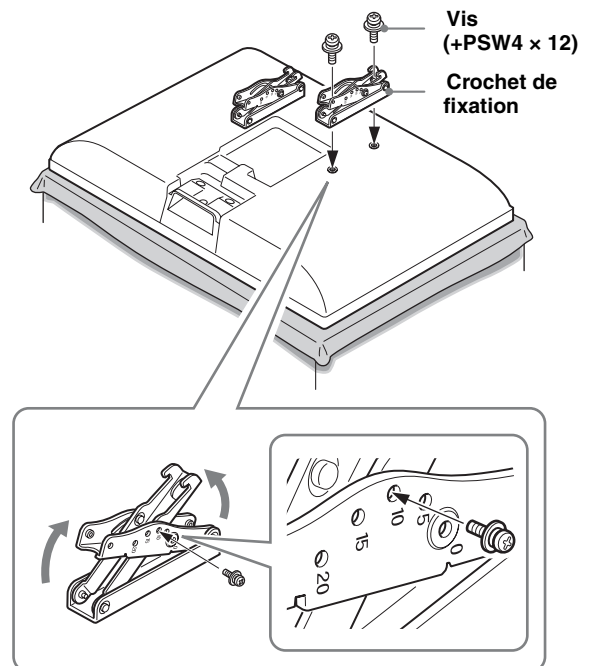
#### ATTENTION

Veillez à ne pas vous pincer les doigts lorsque vous réglez l'angle du crochet de fixation.

### 4 Fixez le crochet de fixation du côté droit, à l'arrière du téléviseur.

- ❶ Fixez temporairement le crochet de fixation à l'arrière du téléviseur à l'aide des deux vis fournies (+PSW4 × 12).
- ❷ Assurez-vous que les deux vis sont serrées convenablement, au même couple, à l'arrière du téléviseur.

Si vous avez réglé l'angle gauche du crochet de fixation, répétez le réglage du point 3 de l'Étape 5 « Réglez l'angle du crochet de fixation » pour l'angle droit.



#### Remarques

- Veillez à régler les bras droit et gauche au même angle.
- Vérifiez que les deux bases des bras sont vissées solidement.

## Étape 6 : Installation du téléviseur au mur

Si vous avez l'intention d'installer un téléviseur non repris à la page 2, reportez-vous au dépliant « Installation du support de fixation murale » qui l'accompagne.

### AVERTISSEMENT

Veillez à terminer l'installation avant de raccorder le cordon d'alimentation CA à la prise murale. Si le cordon d'alimentation CA est coincé sous ou entre des appareils, cela peut entraîner un court-circuit ou l'électrocution. Veillez à ne pas trébucher sur le cordon d'alimentation CA ou le téléviseur, car vous risqueriez de vous blesser.

## 1 Branchez sur le téléviseur le cordon d'alimentation CA et le(s) câble(s) de raccordement fournis.

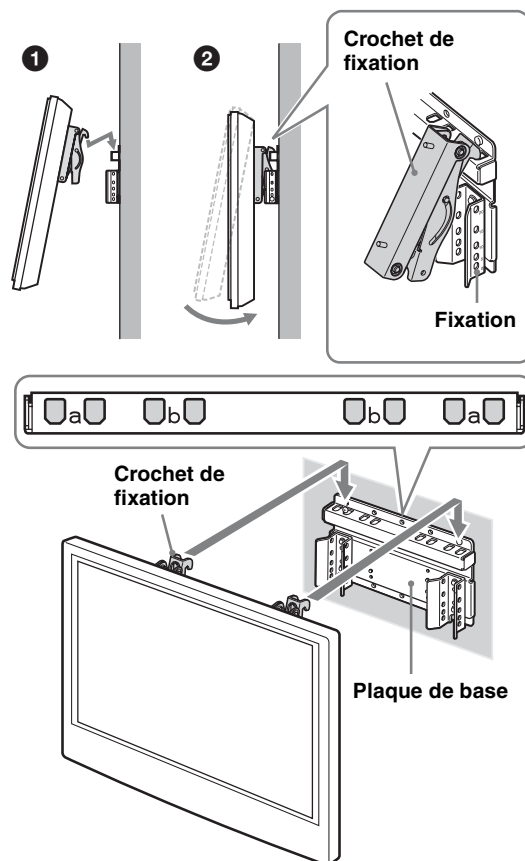
Branchez le cordon d'alimentation CA et le(s) câble(s) de raccordement sur les prises situées à l'arrière du téléviseur. Pour plus d'informations sur le branchement du cordon d'alimentation CA et de(s) câble(s) de raccordement, reportez-vous au mode d'emploi du téléviseur.

### Remarques

- Vous ne pouvez pas raccorder les câbles au téléviseur une fois que celui-ci est installé sur la plaque de base.
- Confiez l'acheminement du câble dans le mur à un installateur agréé.

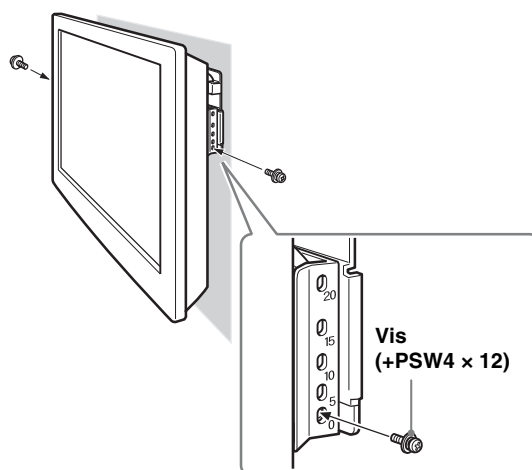
## 2 Installez le téléviseur sur la plaque de base.

- 1 En vous reportant au Schéma/tableau des emplacements des crochets de la page 13, déterminez les emplacements de la plaque de base destinés à accrocher les crochets supérieurs du crochet de fixation.
- 2 Saisissez convenablement le téléviseur des deux mains et alignez-le délicatement sur le mur.



## 3 Fixez convenablement le téléviseur et la plaque de base à l'aide des deux vis fournies (+PSW4 x 12).

Fixez la vis en appliquant l'angle choisi au point 3 de l'Étape 5.



### Remarque

Si vous utilisez un tournevis électrique, réglez son couple sur 1,5 N·m {15 kgf·cm} environ.

### AVERTISSEMENT

Veillez à serrer fermement les vis de fixation gauche et droite. Dans le cas contraire, le téléviseur pourrait tomber s'il est poussé vers le haut et provoquer des blessures.

## Vérification de la bonne installation

### Vérifiez les points suivants.

- Les crochets du crochet de fixation sont fermement accrochés dans les trous de la plaque de base.
- Le cordon et le câble ne sont pas tordus ou coincés.
- Les deux vis de fixation du crochet de fixation et de la plaque de base sont convenablement serrées.

### AVERTISSEMENT

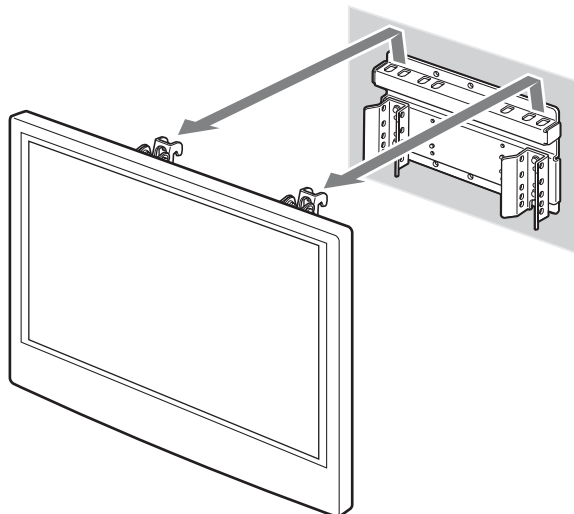
Ne réglez pas l'angle du crochet de fixation lorsque le téléviseur est accroché au mur et veillez à l'installer complètement. Sinon, le produit pourrait tomber et provoquer des blessures ou être endommagé. En outre, si le cordon d'alimentation CA ou autre n'est pas correctement installé, un court-circuit pourrait survenir et provoquer un incendie ou l'électrocution. Pour votre sécurité, vérifiez que l'installation est effectuée complètement.

## Lors du retrait du téléviseur

### À l'attention des détaillants Sony

- 1 Débranchez le cordon d'alimentation CA de la prise murale.**
- 2 Retirez les deux vis de fixation du téléviseur à la plaque de base. (Pour connaître la position des vis, reportez-vous au point 3 de l'Étape 6 à la page 10.)**

- 3 Veillez à saisir le téléviseur et à le faire glisser vers le haut pour le retirer.**

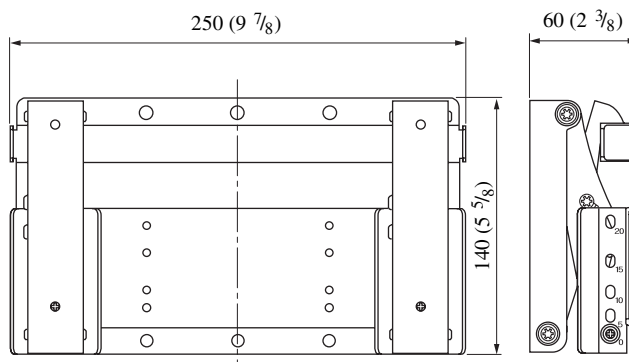


### ATTENTION

- Lorsque vous retirez le téléviseur, veillez à ne pas laisser trébucher sur le cordon et les câbles.
- Veillez à ne pas vous blesser les mains ou les doigts lors du retrait du téléviseur.

## Caractéristiques

Unité : mm (pouces)  
Poids : 1,2 kg (2 lb 11 oz)

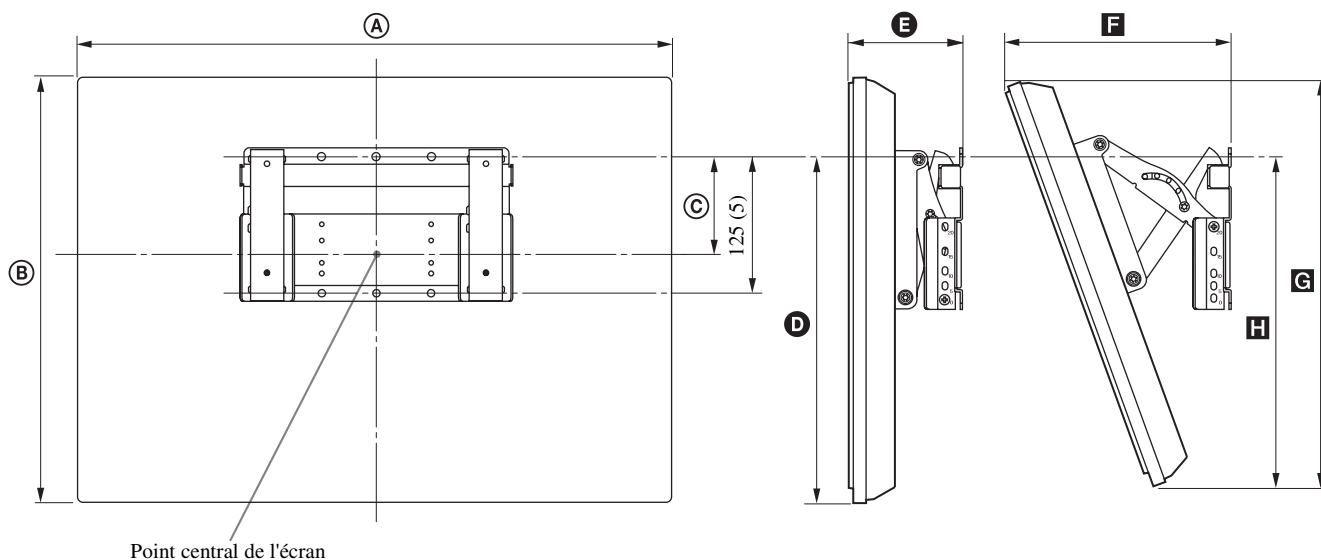


La conception et les spécifications sont susceptibles d'être modifiées sans avis préalable.

# Tableau des dimensions d'installation des téléviseurs

Le tableau ci-dessous reprend les dimensions du téléviseur installé sur ce produit. Reportez-vous à ce tableau pour choisir l'emplacement d'installation.

Si vous avez l'intention d'installer un téléviseur non repris ci-dessous, reportez-vous au dépliant « Installation du support de fixation murale » qui l'accompagne.



Unité : mm (pouces)

Nom du modèle	Dimensions de l'écran		Dimension au centre de l'écran	Longueur pour chaque angle de fixation				
				Angle (0°)		Angle (20°)		
	A	B	C	D	E	F	G	H
<b>KDL-26S30xx */ KLV-26V300A</b>	656 (25 7/8)	452 (17 7/8)	107 (4 1/4)	355 (14)	156 (6 1/4)	256 (10 1/8)	443 (17 1/2)	358 (14 1/8)

Certains modèles ne sont pas disponibles dans toutes les régions.

Les chiffres repris dans le tableau ci-dessus peuvent varier légèrement selon l'installation.

\* Dans les noms de modèle réels, « xx » indique des chiffres et/ou des caractères propres à chaque modèle.

## Remarque

Pour le modèle KDL-26S30xx destiné à l'Europe, les dimensions diffèrent de celles indiquées dans le tableau ci-dessus. Reportez-vous au guide fourni avec votre téléviseur.

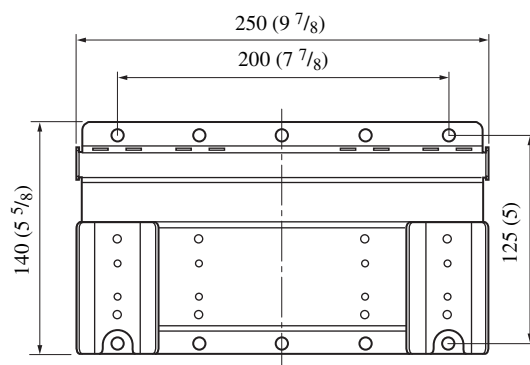
## AVERTISSEMENT

Le mur sur lequel vous installez le téléviseur doit pouvoir supporter un poids équivalent à au moins quatre fois celui de l'appareil. Pour connaître son poids, reportez-vous au mode d'emploi du téléviseur.



# Schéma des dimensions de fixation au mur

Unité : mm (pouces)

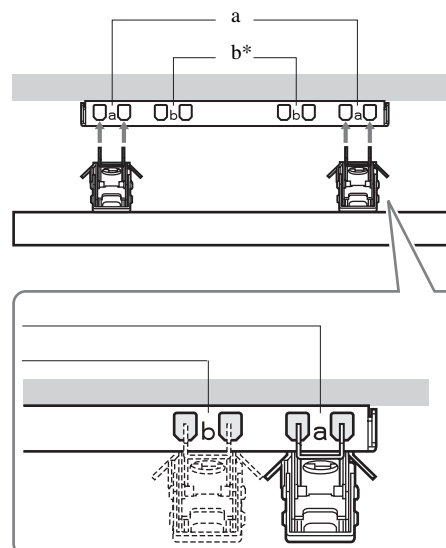


# Schéma/tableau des emplacements des crochets

Nom du modèle	Emplacement du crochet
KDL-26S30xx * KLV-26V300A	a

Certains modèles ne sont pas disponibles dans toutes les régions.

\* Dans les noms de modèle réels, « xx » indique des chiffres et/ou des caractères propres à chaque modèle.



\* La position du crochet « b » ne peut pas être utilisée pour les modèles indiqués dans le tableau ci-contre.

## Muchas gracias por la adquisición de este producto.

### Información para los clientes

Para la instalación de este producto se requieren conocimientos suficientes. Asegúrese de contratar la instalación a un distribuidor o a un contratista Sony autorizado y preste especial atención a la seguridad durante la instalación. Sony no se hace responsable de los daños o lesiones causados por una mala utilización, una instalación incorrecta o la instalación de cualquier producto que no sea el especificado. Esto no afecta a sus derechos legales (en caso de haberlos).

## ADVERTENCIA

Si no se siguen las medidas de seguridad o si el producto se utiliza incorrectamente, podrían producirse lesiones graves o un incendio.

Este manual de instrucciones muestra la manera correcta de manipular el producto, así como precauciones importantes necesarias para evitar accidentes. Lea detenidamente este manual y utilice el producto correctamente. Conserve este manual para poder consultarlo en el futuro.

### Información para los distribuidores de Sony

Para la instalación de este producto se requieren conocimientos suficientes. Lea detenidamente este manual de instrucciones para realizar la instalación de manera segura. Sony no se responsabiliza de ningún daño o lesión provocados por una manipulación o instalación incorrectas. Entregue este manual al cliente después de la instalación.

## Seguridad

Los productos de Sony están diseñados pensando en la seguridad. Sin embargo, si los productos se utilizan incorrectamente, pueden producirse lesiones graves a causa de un incendio o una descarga, o al volcarse o caerse el producto. Para evitar tales accidentes, asegúrese de observar las precauciones de seguridad.

## PRECAUCIÓN

### Productos especificados

**Los siguientes productos están sujetos a cambios sin previo aviso, podrían estar agotados o haberse dejado de fabricar.**

**Asimismo, determinados modelos no se venden en algunas regiones.**

Televisor en color con pantalla de cristal líquido	KDL-26S30xx * KLV-26V300A
--	------------------------------

\* En los nombres de modelo reales, "xx" indica los números y/o los caracteres específicos de cada modelo.

Este soporte de montaje mural se ha diseñado para utilizarse sólo con los productos especificados anteriormente.

Con otros televisores, consulte los manuales de instrucciones correspondientes para comprobar si es posible utilizar este soporte de montaje mural.

Algunos televisores se suministran con un folleto en el que se explica cómo instalar el soporte de montaje mural ("Instalación del soporte de montaje mural").

## Información para los clientes

### ADVERTENCIA

Si no se tienen en cuenta las siguientes precauciones, existe el peligro de sufrir lesiones graves o incluso de muerte a raíz de un incendio o una descarga eléctrica, o a causa de que el producto vuelque o se caiga.

### Asegúrese de contratar la instalación a contratistas autorizados y mantenga a los niños alejados durante la instalación.

Si el soporte de montaje mural o el televisor no están instalados correctamente, pueden ocurrir los accidentes siguientes. Asegúrese de que la instalación la lleven a cabo contratistas autorizados.



- El televisor podría caerse y provocar lesiones graves como contusiones o fracturas.
- Si la pared en la que se instala el soporte de montaje mural es inestable, desigual o no es perpendicular al suelo, la unidad puede caerse y provocar daños personales o materiales. La pared debe ser capaz de soportar un peso de al menos cuatro veces el peso del televisor. (Consulte las instrucciones de su televisor para obtener información sobre el peso de éste).
- Si la instalación del soporte de montaje mural en la pared no es lo suficientemente resistente, es posible que la unidad se caiga y provoque daños personales o materiales.

### Asegúrese de contratar el traslado o el desmontaje del televisor a contratistas autorizados.

Si otras personas que no son contratistas autorizados llevan a cabo el transporte o el desmontaje del televisor, éste puede caerse y provocar daños personales y materiales.

### No vierta ningún tipo de líquido sobre el televisor.

Si el televisor se moja, podría producirse un incendio o una descarga eléctrica.

### No quite los tornillos, etc., una vez montado el televisor.

Si lo hace, el televisor puede caerse y provocar daños personales o materiales.

### No desmonte ni modifique las piezas del soporte de montaje mural.

Si lo hace, el soporte de montaje mural puede caerse y provocar daños personales o materiales.

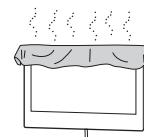


### No monte ningún otro equipo que no sea el producto especificado.

Este soporte de montaje mural se ha diseñado para utilizarse sólo con el producto especificado. Si monta un equipo distinto del especificado, puede caerse o romperse y provocar daños personales o materiales.

### No obstruya los orificios de ventilación del televisor.

Si cubre los orificios de ventilación (con un paño, etc.), el televisor o monitor podría sobrecalentarse y provocar un incendio.



### No aplique ningún peso que no sea el propio del televisor en el soporte de montaje mural.

Si lo hace, el televisor puede caerse y provocar daños personales o materiales.



### No se apoye en el televisor ni se cuelgue de éste.

No se apoye en el televisor ni se cuelgue de éste, ya que podría caerle encima y provocarle lesiones graves.



### No exponga el televisor a la lluvia ni a la humedad.

Podría originarse un incendio o producirse una descarga eléctrica.

### Nunca coloque el televisor en lugares muy cálidos, húmedos o excesivamente polvorientos, ni en lugares en los que se produzcan vibraciones.

Si lo hace, podría originarse un incendio o producirse una descarga eléctrica.

### Mantenga el televisor alejado de objetos inflamables y de llamas (como por ejemplo, de velas).

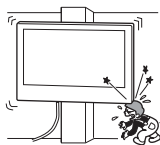
Para evitar incendios, mantenga el televisor alejado de objetos inflamables y de llamas (como por ejemplo, de velas).

## PRECAUCIÓN

Si no se tienen en cuenta las precauciones siguientes, podrían producirse daños personales o materiales.

### No instale el soporte de montaje mural en superficies de paredes en las que puedan sobresalir las esquinas o los lados del televisor.

No instale el soporte de montaje mural en superficies de paredes, tales como una columna, en las que puedan sobresalir las esquinas o los lados del televisor. Si una persona o un objeto se golpea con la esquina o el lado saliente del televisor, pueden producirse daños personales o materiales.



### No manipule el producto con fuerza excesiva cuando realice su limpieza o mantenimiento.

No aplique fuerza excesiva en la parte superior del televisor. Si lo hace, el televisor puede caerse y provocar daños personales o materiales.

### No instale el televisor encima ni debajo de un aparato de aire acondicionado.

Si el televisor queda expuesto a goteo o corriente de aire procedentes del aparato de aire acondicionado durante mucho tiempo, podría producirse un incendio, una descarga eléctrica o un fallo de funcionamiento.

## Precauciones

- Si utiliza el televisor instalado en el soporte de montaje mural durante un largo período de tiempo, es posible que la pared que quede detrás o encima del televisor se descolore o que, si la pared está empapelada, se despegue el papel, dependiendo del material de la pared.
- Si se quita el soporte de montaje mural después de haber estado instalado en la pared, quedarán los orificios de los tornillos.
- Si ha dispuesto cables de alimentación de 300 ohmios detrás de la pared, se recomienda que los cambie por cables coaxiales de 75 ohmios. Si es necesario seguir utilizando los cables de alimentación de 300 ohmios, asegúrese de que haya suficiente espacio disponible entre el televisor y dichos cables detrás de la pared antes de realizar la instalación. Póngase en contacto con el contratista autorizado para determinar la ubicación (sin interferencias radioeléctricas, etc.) antes de realizar la instalación.

## Instalación del soporte del montaje mural

### Información para los distribuidores de Sony

#### ADVERTENCIA

##### Información para los clientes

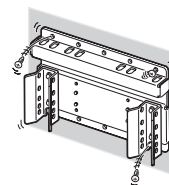
Para la instalación de este producto se requieren conocimientos suficientes. Asegúrese de contratar la instalación a un distribuidor o a un contratista Sony autorizado y preste especial atención a la seguridad durante la instalación.

##### Información para los distribuidores de Sony

Las instrucciones siguientes están destinadas únicamente a los distribuidores de Sony. Asegúrese de leer las precauciones de seguridad descritas anteriormente y preste especial atención a la seguridad durante la instalación, el mantenimiento y la comprobación de este producto.

### Asegúrese de instalar el soporte de montaje mural firmemente en la pared siguiendo las instrucciones de este manual.

Si alguno de los tornillos queda suelto o se desprende, el soporte de montaje mural puede caerse y provocar daños personales o materiales. Asegúrese de utilizar los tornillos adecuados para el material de la pared e instale la unidad firmemente, utilizando cuatro o más tornillos de 6 mm ( $1/4$  pulgadas) de diámetro (o equivalentes).



**Asegúrese de utilizar correctamente los tornillos y las piezas de sujeción suministrados siguiendo las instrucciones que se describen en este manual. Si utiliza artículos sustitutos, el televisor podría caerse y dañarse o provocar daños personales.**

### Efectúe correctamente el montaje del soporte siguiendo el procedimiento descrito en este manual.

Si alguno de los tornillos queda suelto o se desprende, el televisor podría caerse y dañarse o provocar daños personales.

## Asegúrese de apretar bien los tornillos en la posición correspondiente.

De lo contrario, el televisor podría caerse y dañarse o provocar daños personales.

## Procure que el televisor no reciba golpes durante la instalación.

Si el televisor recibe algún golpe, puede caerse o romperse. Tales percances podrían causar heridas personales.

## Asegúrese de instalar el televisor en una pared que sea perpendicular y plana.

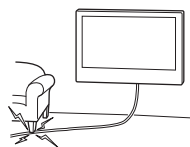
De lo contrario, el televisor podría caerse y provocar daños personales.

## Una vez que haya instalado correctamente el televisor, fije adecuadamente los cables.

Si alguna persona u objeto se enreda con los cables, correrá el peligro de sufrir heridas personales o de dañarse el televisor.

## Evite que el cable de alimentación de ca o el cable de conexión queden atrapados.

Si el cable de alimentación de ca o el cable de conexión quedan atrapados entre la unidad y la pared o si se doblan o tuercen con fuerza, es posible que los conductores internos queden expuestos y que provoquen un cortocircuito o corte eléctrico. Esto podría originar un incendio o producir descargas eléctricas.



## Tenga cuidado de no hacerse daños en las manos o los dedos durante la instalación.

Tenga cuidado de no herirse las manos o los dedos cuando instale el soporte de montaje mural o el televisor.

## Los tornillos necesarios para fijar el soporte de montaje mural a la pared no están incluidos.

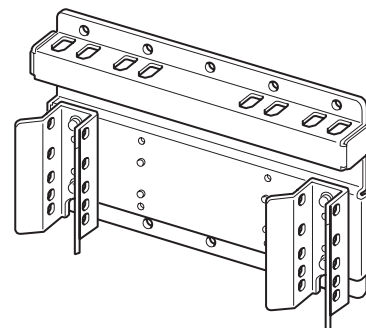
Utilice los tornillos adecuados para el material y la estructura de la pared en la que se proponga montar el soporte de montaje mural.

### Antes de la instalación

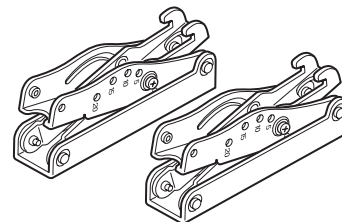
Si desea instalar un televisor distinto de los especificados en la página 2, asegúrese de consultar el folleto "Instalación del soporte de montaje mural" que se suministra con el televisor.

## Paso 1: Comprobar las piezas necesarias para la instalación

- 1 Prepare cuatro o más tornillos de 6 mm ( $1/4$  pulgadas) de diámetro o equivalentes (no suministrados) y un destornillador. Seleccione los tornillos adecuados para el material de la pared.
- 2 Abra el embalaje y compruebe que se incluyen todos los elementos siguientes.



Plataforma base (1)



Gancho de montaje (2)



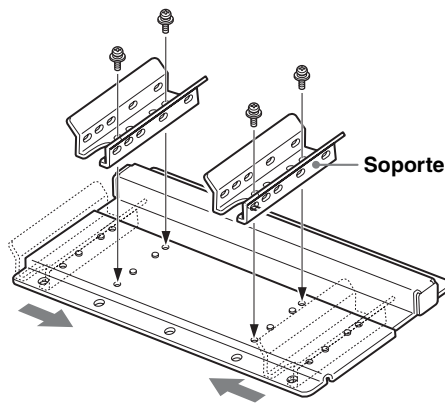
Tornillo (+PSW4 x 12) (6)

## Paso 2: Ajuste de la posición de los soportes de la plataforma base

1

Tamaño pantalla televisor	Procedimiento
26 pulgadas	Este procedimiento no resulta necesario.
20 pulgadas	Siga este procedimiento.
Otros	Consulte el folleto suministrado con el televisor.

- Retire los tornillos que fijan los soportes izquierdo y derecho a la plataforma base y cambie los soportes a la posición interna.
- Fije cada soporte haciendo uso de los tornillos que se retiraron en el procedimiento anterior 1.



### Notas

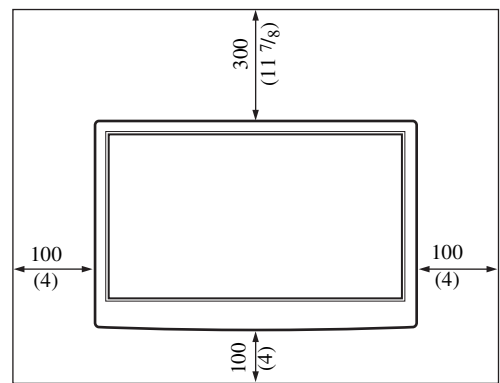
- Si utiliza un destornillador eléctrico, ajuste el par de fijación aproximadamente a 1,5 N·m {15 kgf·cm}.
- Asegúrese de que los cuatro tornillos que fijan la plataforma base y los soportes queden correctamente apretados.

## Paso 3: Decidir la ubicación de instalación

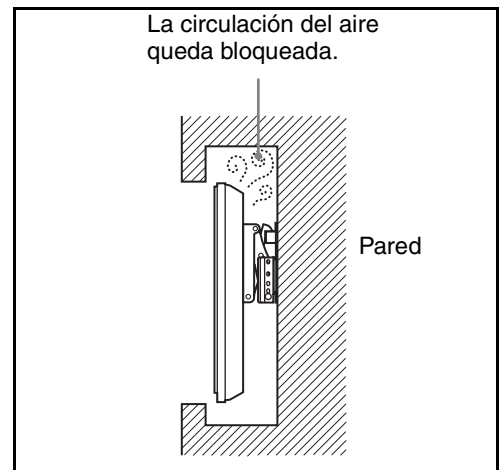
### 1 Consulte la tabla de dimensiones para la instalación del televisor en la página 12 para decidir la ubicación de la instalación.

Deje un espacio adecuado entre el televisor, el techo y las partes salientes de la pared, como se muestra a continuación.

Unidad: mm (pulgadas)



Nunca instale el televisor como se muestra a continuación:



### Nota

Si se propone pasar los cables por la pared, perfora la pared para introducir los cables antes de empezar la instalación.

**2** Tome como referencia el Diagrama de dimensiones para el montaje en una pared en la página 13 para determinar la posición de los tornillos para realizar la instalación de la plataforma base.

**ADVERTENCIA**

La pared en la que se montará el televisor debe ser suficientemente resistente para soportar un peso como mínimo de **cuatro veces** el peso del televisor (consulte el manual de instrucciones del televisor para obtener información sobre su peso).

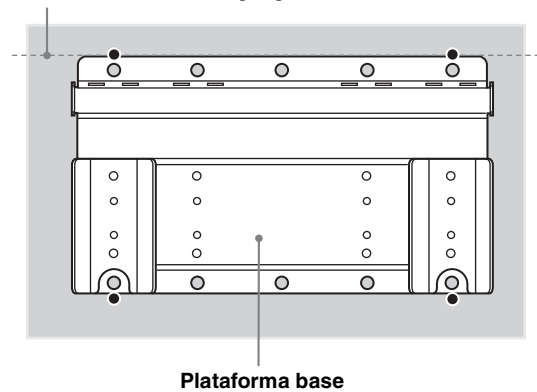
Determine la resistencia de la pared en la que se montará el televisor. Si es necesario, refuércela.

## Paso 4: Instalación de la plataforma base en la pared

**1** Fije la plataforma base en la pared utilizando cuatro o más tornillos de 6 mm ( $\frac{1}{4}$  pulgadas) de diámetro o equivalentes (no suministrados).

Seleccione los cuatro orificios para los tornillos que se indican con la marca ● en el diagrama siguiente y apriete bien los tornillos de manera que no se suelten.

Alinee la unidad de forma que quede nivelada.



**ADVERTENCIA**

- Los tornillos necesarios para este procedimiento no se suministran. Seleccione los tornillos adecuados en función del material y la estructura de la pared.
- Si la plataforma base no se puede ajustar de forma totalmente segura, utilice tornillos adicionales.
- Compruebe que la plataforma base está ajustada de forma segura a la pared.



## Paso 5: Preparar la instalación del televisor

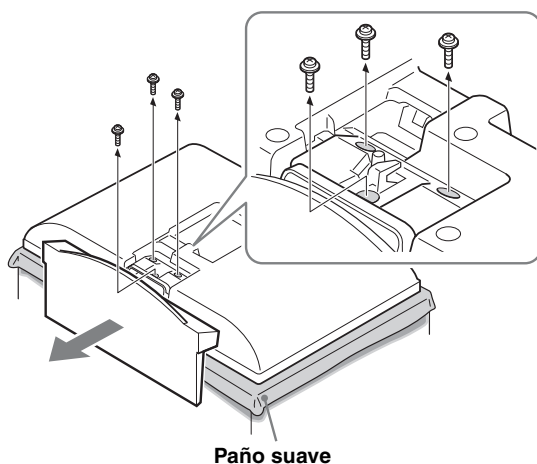
Si desea instalar un televisor distinto de los especificados en la página 2, asegúrese de consultar el folleto "Instalación del soporte de montaje mural" que se suministra con el televisor.

### 1 Extraiga los tornillos de la parte posterior del televisor. A continuación, retire el televisor del soporte de sobremesa.

Coloque el televisor con la pantalla hacia abajo sobre una superficie estable cubierta con un paño suave.

Para los usuarios de los siguientes televisores:

KDL-26S30xx \*/KLV-26V300A



\* En los nombres de modelo reales, "xx" indica los números y/o los caracteres específicos de cada modelo.

#### Notas

- Al extraer el soporte de sobremesa del televisor, coloque la pantalla cara abajo sobre una superficie plana y estable mayor que la superficie del televisor.
- Para evitar dañar la superficie de la pantalla LCD, coloque el televisor sobre un paño suave en una superficie plana.

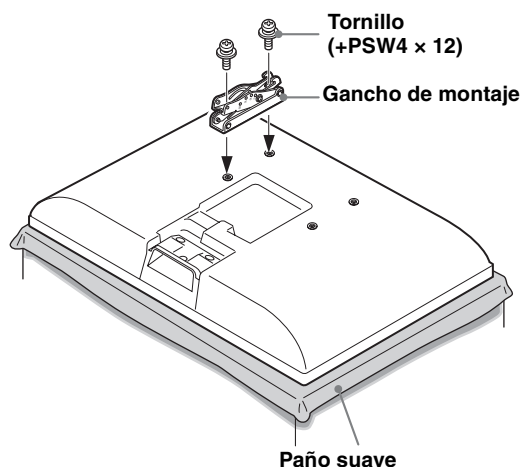
#### PRECAUCIÓN

- Si la superficie del televisor se somete a presión o golpes, es posible que la pantalla de cristal líquido se rompa o se dañe.
- Coloque la pantalla cara abajo sobre una superficie plana y estable de modo que el soporte de sobremesa quede colgando del borde de la superficie. Si coloca la cara de la pantalla y la base del soporte de sobremesa sobre una superficie al mismo nivel, las condiciones de funcionamiento serán inestables y podrían producirse daños en el televisor.
- Cuando retire el soporte de sobremesa del televisor, sujételo firmemente con ambas manos.

Si utiliza un destornillador eléctrico, ajuste el par de fijación aproximadamente a 1,5 N·m { 15 kgf·cm}. No levante el gancho de montaje antes de fijar los tornillos (dos tornillos a la izquierda y dos a la derecha). De lo contrario, se podría dañar el gancho de montaje o la carcasa del televisor.

### 2 Fije el gancho de montaje desde el lateral izquierdo de la parte posterior del televisor.

- 1 Fije el gancho de montaje a la parte posterior del televisor temporalmente mediante los dos tornillos suministrados (+PSW4 × 12).
- 2 Asegúrese de que ambos tornillos estén bien apretados con la misma resistencia del par de fijación a la parte posterior del televisor.



#### Notas

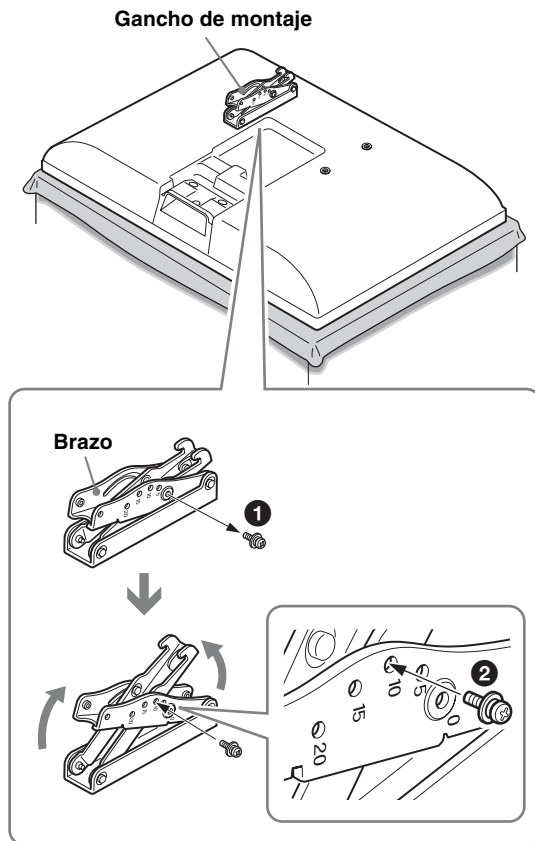
- Si instala primero el gancho de montaje derecho, resultará difícil ajustar su ángulo. Instale primero el gancho de montaje izquierdo.
- Al fijar el gancho de montaje, asegúrese de no utilizar tornillos que no sean los que se suministran (+PSW4 × 12).



### 3 Ajuste el ángulo del gancho de montaje.

Cuando instale el televisor paralelo a la pared (0 grados), no será necesario realizar el ajuste del ángulo del gancho de montaje (procedimientos 1 y 2 detallados a continuación).

- 1 Retire el tornillo de ajuste del ángulo del brazo del gancho de montaje. Seleccione los orificios correspondientes con el ángulo deseado (5, 10, 15 ó 20 grados).
- 2 Fije el brazo haciendo uso del tornillo que se retiró en el procedimiento anterior 1.



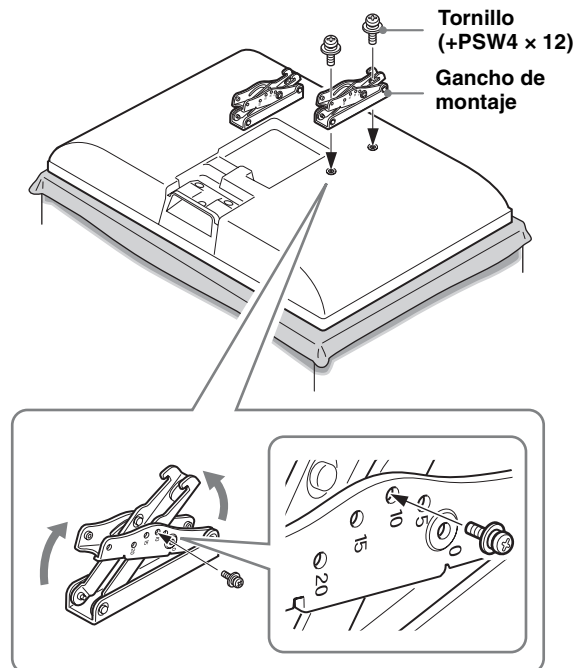
#### PRECAUCIÓN

Tenga cuidado de no pillarse los dedos al ajustar el ángulo del gancho de montaje.

### 4 Fije el gancho de montaje al lateral izquierdo de la parte posterior del televisor.

- 1 Fije el gancho de montaje a la parte posterior del televisor temporalmente mediante los dos tornillos suministrados (+PSW4 x 12).
- 2 Asegúrese de que ambos tornillos estén bien apretados con la misma resistencia del par de fijación a la parte posterior del televisor.

Si se ajustó el ángulo izquierdo del gancho de montaje, realice el mismo ajuste que se muestra en el apartado 3 del Paso 5 "Ajuste el ángulo del gancho de montaje" para el derecho.



#### Notas

- Asegúrese de ajustar los brazos derecho e izquierdo en el mismo ángulo.
- Asegúrese de que las dos bases de los brazos hayan quedado fijadas con seguridad.

## Paso 6: Instalación del televisor en la pared

Si desea instalar un televisor distinto de los especificados en la página 2, asegúrese de consultar el folleto “Instalación del soporte de montaje mural” que se suministra con el televisor.

### ADVERTENCIA

Asegúrese de completar la instalación antes de conectar el cable de alimentación de ca a la toma de pared. Si permite que el cable de alimentación de ca quede apretado debajo o entre las piezas del equipo, podría producirse un cortocircuito o una descarga eléctrica. Tenga cuidado de no tropezar sobre el cable de alimentación de ca ni sobre el televisor, ya que podría hacerse daño.

## 1 Conecte el cable de alimentación de ca y los cables de conexión suministrados al televisor.

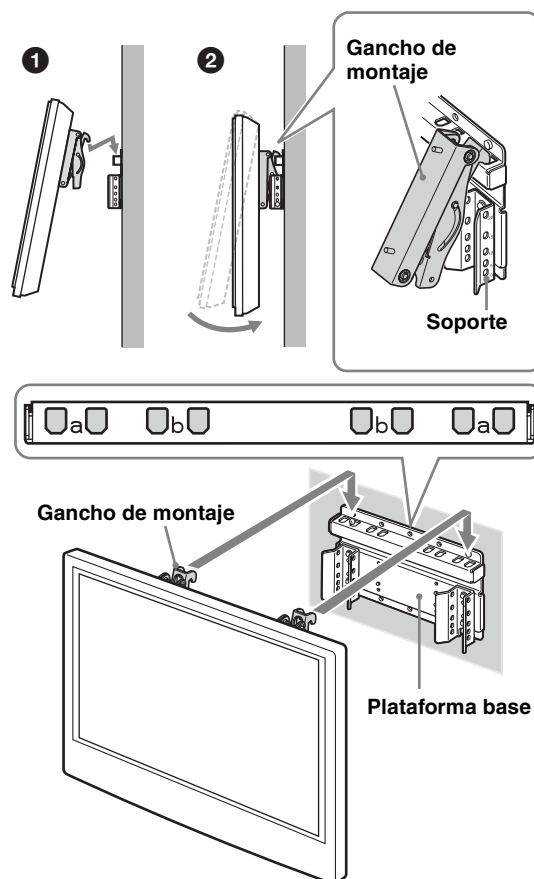
Conecte el cable de alimentación de ca y los cables de conexión a los conectores de la parte posterior del televisor. Para obtener información detallada sobre la conexión del cable de alimentación de ca y de los cables de conexión, consulte el manual de instrucciones del televisor.

### Notas

- No es posible conectar los cables al televisor después de instalarlo en la plataforma base.
- Asegúrese de contratar la instalación de los cables en la pared a un contratista autorizado.

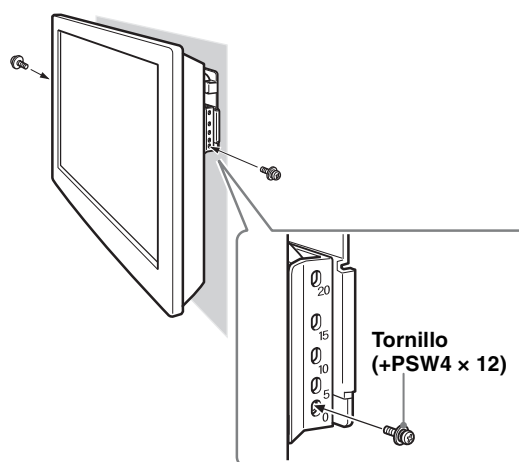
## 2 Instale el televisor en la plataforma base.

- 1 Consulte la tabla de diagrama con las ubicaciones de los ganchos (página 13) para determinar la posición de los orificios del plataforma base en los que deben encajarse los ganchos superiores del gancho de montaje.
- 2 Sujete el televisor de manera segura con ambas manos y alinéelo con cuidado con la pared.



## 3 Fije firmemente el televisor y la plataforma base mediante los dos tornillos suministrados (+PSW4 x 12).

Fije el tornillo a la marca del mismo ángulo que ajustó en el apartado 3 del Paso 5.



### Nota

Si utiliza un destornillador eléctrico, ajuste el par de fijación aproximadamente a 1,5 N·m {15 kgf·cm}.

### ADVERTENCIA

Asegúrese de apretar firmemente los tornillos de fijación izquierdo y derecho. De lo contrario, el televisor podría caerse al empujarlo hacia arriba y provocar daños personales.

## Confirme que haya finalizado la instalación

### Compruebe los puntos siguientes.

- Que los ganchos del gancho de montaje estén firmemente encajados en los orificios de la plataforma base.
- Que los cables no estén retorcidos ni atrapados.
- Que los dos tornillos de fijación del gancho de montaje y de la plataforma base estén bien apretados.

#### ADVERTENCIA

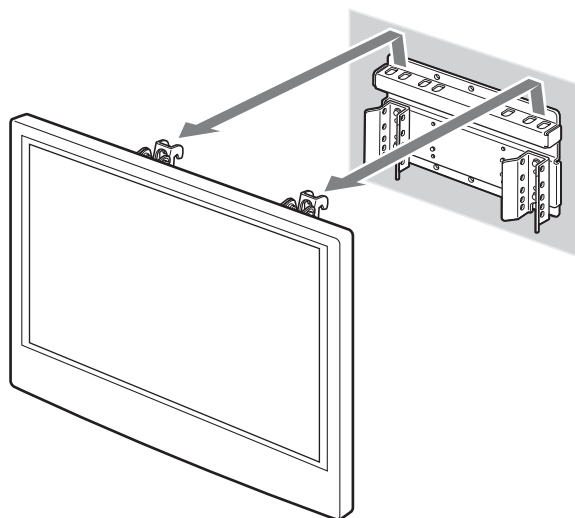
No ajuste el ángulo del gancho de montaje cuando instale el televisor en la pared y asegúrese de completar la instalación. De lo contrario, puede causar la caída del producto y ocasionar daños materiales o personales. Además, la colocación inadecuada del cable de alimentación de ca, etc., puede ser causa de un incendio o de descargas eléctricas debido a un cortocircuito. Por razones de seguridad, no se olvide confirmar que haya finalizado la instalación.

## Para retirar el televisor

### Información para los distribuidores de Sony

- 1** Desenchufe el cable de alimentación de ca de la toma de pared.
- 2** Retire los dos tornillos que fijan el televisor y la plataforma base. (Consulte el procedimiento 3 del paso 6 en la página 10 para obtener información acerca de la posición de los tornillos).

- 3** Asegúrese de sujetar correctamente el televisor y deslícelo hacia arriba para extraerlo.



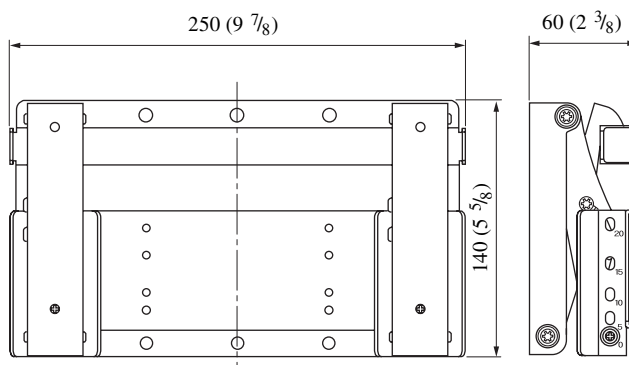
#### PRECAUCIÓN

- Tenga cuidado de que los cables no se enganchen cuando extraiga el televisor.
- Tenga cuidado de no herirse las manos o los dedos al extraer el televisor.

## Especificaciones

Unidad: mm (pulgadas)

Peso: 1,2 kg (2 lb 11 oz)

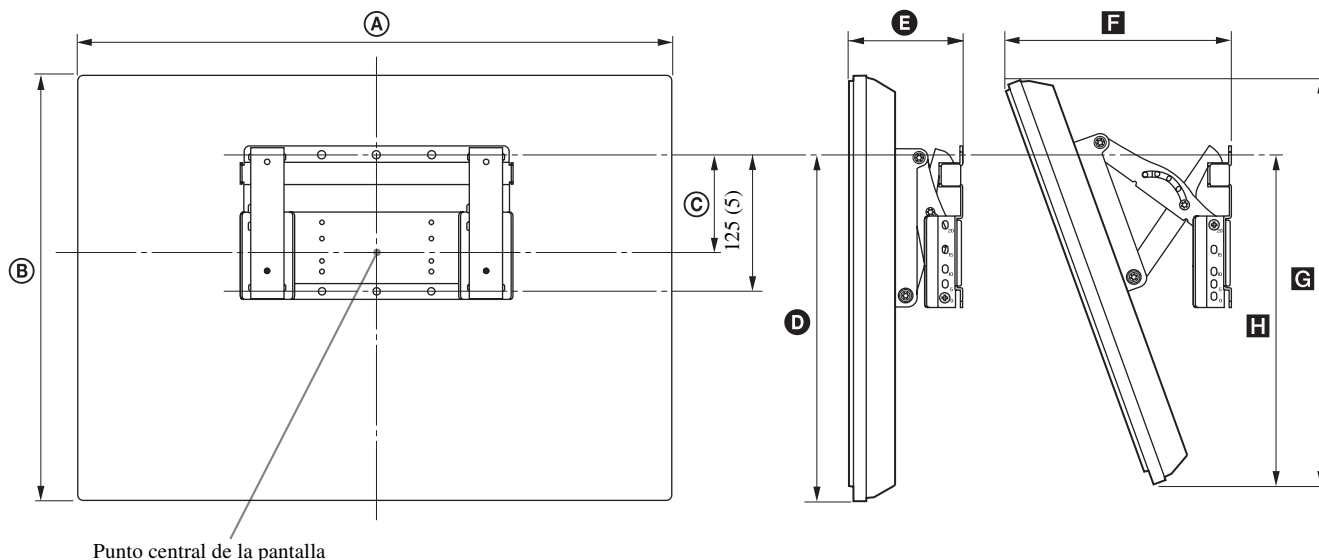


Diseño y especificaciones están sujetos a cambios sin previo aviso.

# Tabla de dimensiones para la instalación del televisor

La tabla que aparece a continuación muestra las dimensiones del televisor montado en este producto. Consulte la tabla para decidir la ubicación de instalación.

Si desea instalar un televisor distinto de los especificados a continuación, asegúrese de consultar el folleto "Instalación del soporte de montaje mural" que se suministra con el televisor.



Unidad: mm (pulgadas)

Nombre del modelo	Dimensiones de la pantalla		Dimensión del centro de la pantalla	Longitud de cada ángulo de montaje				
				Ángulo (0°)		Ángulo (20°)		
	A	B	C	D	E	F	G	H
<b>KDL-26S30xx */KLV-26V300A</b>	656 (25 7/8)	452 (17 7/8)	107 (4 1/4)	355 (14)	156 (6 1/4)	256 (10 1/8)	443 (17 1/2)	358 (14 1/8)

Es posible que algunos modelos no estén disponibles en determinadas regiones. Las cifras de la tabla anterior pueden variar ligeramente en función de la instalación.

\* En los nombres de modelo reales, "xx" indica los números y/o los caracteres específicos de cada modelo.

## Nota

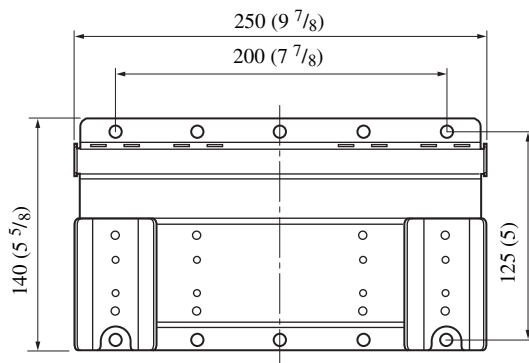
Las dimensiones del modelo europeo KDL-26S30xx difieren de las indicadas en la tabla anterior. Consulte el folleto suministrado con el televisor.

## ADVERTENCIA

La pared en la que se proponga instalar el televisor deberá ser capaz de soportar un peso al menos cuatro veces mayor que el del televisor. Consulte las instrucciones de su televisor para obtener información sobre el peso de éste.

# Diagrama de dimensiones para el montaje en una pared

Unidad: mm (pulgadas)

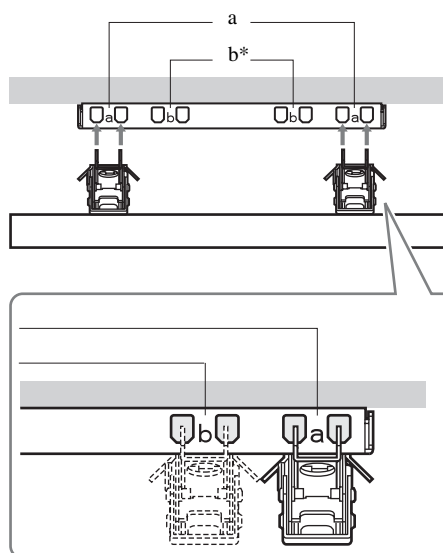


## Tabla de diagrama de las ubicaciones de los ganchos

Nombre del modelo	Ubicación de los ganchos
KDL-26S30xx * KLV-26V300A	a

Es posible que algunos modelos no estén disponibles en determinadas regiones.

\* En los nombres de modelo reales, "xx" indica los números y/o los caracteres específicos de cada modelo.



\* La posición "b" del gancho no puede utilizarse para los modelos que se indican en la tabla izquierda.

## Danke, dass Sie sich für dieses Produkt entschieden haben.

### Für den Kunden

Zur Installation dieses Produkts sind Fachkenntnisse erforderlich. Lassen Sie die Installationsarbeiten unbedingt von Ihrem Sony-Händler oder lizenzierten Fachleuten ausführen und beachten Sie bei der Installation die nötigen Sicherheitsvorkehrungen. Sony übernimmt keine Haftung für Verletzungen bzw. Sachschäden, die durch unsachgemäßen Umgang mit dem Produkt, eine fehlerhafte Montage oder die Installation eines anderen als des spezifizierten Produkts entstehen. Ihre gesetzlich vorgeschriebenen Rechte (sofern vorhanden) bleiben davon unberührt.

## WARNUNG

Wenn die Sicherheitsmaßnahmen nicht eingehalten werden oder das Produkt unsachgemäß verwendet wird, besteht die Gefahr schwerer Verletzungen oder Feuergefahr.

Diese Gebrauchsanweisung erläutert die richtige Handhabung des Produkts und enthält wichtige Sicherheitshinweise, um Unfälle zu verhindern. Lesen Sie diese Anweisungen sorgfältig durch und verwenden Sie das Produkt sachgemäß. Bewahren Sie diese Gebrauchsanweisung zum späteren Nachschlagen sorgfältig auf.

### Für Sony-Händler

Zur Installation dieses Produkts sind Fachkenntnisse erforderlich. Lesen Sie diese Gebrauchsanweisung unbedingt sorgfältig durch, damit eine sichere Ausführung der Arbeiten gewährleistet ist. Sony übernimmt keine Haftung für Verletzungen bzw. Sachschäden, die durch unsachgemäßen Umgang mit dem Produkt oder eine fehlerhafte Montage entstehen. Händigen Sie diese Gebrauchsanweisung nach der Installation bitte an den Kunden aus.

## Sicherheit

Bei der Entwicklung von Sony-Produkten wird besonderer Wert auf den Faktor Sicherheit gelegt. Wenn ein Produkt jedoch nicht sachgemäß verwendet wird, kann es durch Feuer, einen Stromschlag, das Umkippen oder das Herunterfallen des Produkts zu schweren Verletzungen kommen. Beachten Sie bitte unbedingt die Sicherheitsmaßnahmen, um solche Unfälle zu vermeiden.

## VORSICHT

### Spezifizierte Produkte

**Folgende Produkte unterliegen unangekündigten Änderungen, sind unter Umständen nicht auf Lager oder werden nicht mehr hergestellt.**

**Außerdem sind bestimmte Modelle nicht in allen Regionen erhältlich.**

LCD-Farbfernsehgerät	KDL-26S30xx * KLV-26V300A
----------------------	------------------------------

\* „xx“ steht für Zahlen und/oder Zeichen, die im eigentlichen Modellnamen für das jeweilige Modell eindeutig sind.

Diese Wandhalterung wurde für die oben angegebenen Geräte konzipiert.

Schlagen Sie bei anderen Fernsehgeräten in den dazugehörigen Bedienungsanleitungen nach und überprüfen Sie, ob diese Wandhalterung verwendet werden kann. Bei einigen Fernsehgeräten wird ein Infoblatt mitgeliefert, in dem die Montage der Wandhalterung erläutert wird („Installieren der Wandhalterung“).

## Für den Kunden

### WARNUNG

Bitte beachten Sie unbedingt die folgenden Sicherheitsmaßnahmen! Andernfalls kann es durch Feuer, einen Stromschlag, das Umkippen oder das Herunterfallen des Produkts zu schweren oder gar tödlichen Verletzungen kommen.

### Lassen Sie die Installationsarbeiten unbedingt von lizenzierten Fachleuten ausführen und halten Sie kleine Kinder bei der Installation unbedingt fern.

Wenn die Wandhalterung oder das Fernsehgerät nicht ordnungsgemäß installiert wird, kann es zu den im Folgenden aufgelisteten Unfällen kommen. Lassen Sie die Installation daher unbedingt von lizenzierten Fachleuten ausführen.



- Das Fernsehgerät kann herunterfallen und schwere Verletzungen wie Blutergüsse oder Knochenbrüche verursachen.
- Wenn die Wand, an der die Wandhalterung installiert wird, nicht stabil, nicht eben oder nicht senkrecht zum Fußboden ist, wenn es sich also um eine schräge Wand handelt, kann das Gerät herunterfallen. Dabei besteht die Gefahr von Verletzungen oder Sachschäden. Die Wand muss eine Tragfähigkeit von mindestens dem Vierfachen des Gewichts des Fernsehgeräts aufweisen. (In der Bedienungsanleitung zum Fernsehgerät finden Sie Angaben zu dessen Gewicht.)
- Wenn die Wandhalterung nicht ausreichend stabil an der Wand befestigt wird, kann das Fernsehgerät herunterfallen. Dabei besteht die Gefahr von Verletzungen oder Sachschäden.

### Lassen Sie die Arbeiten zum Versetzen oder Abnehmen des Fernsehgeräts unbedingt von lizenziertem Fachpersonal ausführen.

Wenn das Fernsehgerät von anderen Personen als lizenzierten Fachleuten abgenommen oder transportiert wird, kann das Gerät herunterfallen und Verletzungen oder Sachschäden verursachen.

### Achten Sie darauf, dass keinerlei Flüssigkeit in das Fernsehgerät gelangt.

Wenn das Fernsehgerät nass wird, besteht Feuergefahr oder die Gefahr eines Stromschlags.

### Entfernen Sie nach der Montage des Fernsehgeräts keine Schrauben usw.

Andernfalls kann das Fernsehgerät herunterfallen und es besteht die Gefahr von Verletzungen oder Sachschäden.

### Versuchen Sie nicht, die Wandhalterung zu zerlegen oder ihre Komponenten zu modifizieren.

Andernfalls kann die Wandhalterung herunterfallen und es besteht die Gefahr von Verletzungen oder Sachschäden.

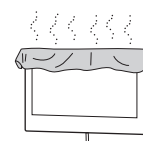


### Installieren Sie an der Wandhalterung ausschließlich die angegebenen Geräte.

Diese Wandhalterung wurde ausschließlich für die angegebenen Geräte konzipiert. Wenn Sie andere als die angegebenen Geräte an der Wandhalterung installieren, kann sie herunterfallen oder brechen und es besteht die Gefahr von Verletzungen oder Sachschäden.

### Blockieren Sie nicht die Lüftungsöffnungen am Fernsehgerät.

Wenn Sie die Lüftungsöffnungen abdecken (zum Beispiel mit einem Tuch), kann es im Inneren des Geräts zu einem Wärmestau kommen, der ein Feuer auslösen kann.



### Befestigen Sie zusätzlich zum Fernsehgerät keine weiteren Lasten an der Wandhalterung.

Andernfalls kann das Fernsehgerät herunterfallen und es besteht die Gefahr von Verletzungen oder Sachschäden.



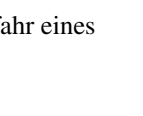
### Lehnen und hängen Sie sich nicht an das Fernsehgerät.

Andernfalls kann das Fernsehgerät auf Sie fallen und schwere Verletzungen verursachen.



### Schützen Sie das Fernsehgerät vor Regen und Feuchtigkeit.

Andernfalls besteht Feuergefahr oder die Gefahr eines Stromschlags.



(Fortsetzung)

3 (DE)



**Installieren Sie das Fernsehgerät nicht in heißer, feuchter oder übermäßig staubiger Umgebung und nicht an Orten, an denen es mechanischen Vibrationen ausgesetzt ist.**

Andernfalls besteht Feuergefahr oder die Gefahr eines Stromschlags.

**Halten Sie brennbare Materialien bzw. offenes Feuer (z. B. Kerzen) vom Fernsehgerät fern.**

Um Feuergefahr zu vermeiden, halten Sie brennbare Materialien bzw. offenes Feuer (z. B. Kerzen) vom Fernsehgerät fern.

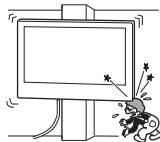
## VORSICHT

Wenn Sie die folgenden Sicherheitsmaßnahmen nicht beachten, besteht die Gefahr von Verletzungen oder Sachschäden.

**Installieren Sie die Wandhalterung nicht an Wandstellen, bei denen die Ecken oder die Seiten des Fernsehgeräts über die Wandfläche hinausragen.**

Installieren Sie die Wandhalterung nicht an Stellen wie z. B. einem Pfeiler, bei denen die Ecken oder die Seiten des Fernsehgeräts über die Wandfläche hinausragen.

Andernfalls könnten Personen oder Gegenstände gegen die vorstehenden Ecken oder Seiten des Fernsehgeräts stoßen. Dabei besteht die Gefahr von Verletzungen oder Sachschäden.



**Wenden Sie bei Reinigungs- bzw. Wartungsarbeiten nicht zu viel Kraft an.**

Drücken Sie nicht zu stark auf die Oberseite des Fernsehgeräts. Andernfalls kann das Fernsehgerät herunterfallen und es besteht die Gefahr von Verletzungen oder Sachschäden.

**Montieren Sie das Fernsehgerät nicht über oder unter einer Klimaanlage.**

Andernfalls könnte das Fernsehgerät über längere Zeit austretendem Wasser oder dem Luftstrom der Klimaanlage ausgesetzt sein. Dies könnte zu Feuer, einem Stromschlag oder zu Fehlfunktionen am Fernsehgerät führen.

## Sicherheitsmaßnahmen

- Wenn das an der Wandhalterung befestigte Fernsehgerät längere Zeit verwendet wird, kann sich die Wand dahinter und darüber verfärben und die Tapete kann sich von der Wand lösen. Dies hängt vom Material der Wand ab.
- Wenn die Wandhalterung später von der Wand abgenommen wird, bleiben die Bohrlöcher sichtbar.
- Wenn hinter der Wand 300-Ohm-Speisekabel verlegt sind, empfiehlt es sich, diese durch 75-Ohm-Koaxialkabel zu ersetzen. Wenn es nicht möglich ist, die 300-Ohm-Speisekabel auszutauschen, achten Sie vor der Installation darauf, dass zwischen dem Fernsehgerät und den Speisekabeln hinter der Wand ausreichend Platz ist. Lassen Sie sich von den mit der Installation betrauten, lizenzierten Fachleuten bei der Wahl einer geeigneten Montageposition beraten, damit das Gerät keinen Funkstörungen usw. ausgesetzt ist.

## Installieren der Wandhalterung

### Für Sony-Händler

#### WARNUNG

##### Für den Kunden

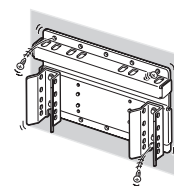
Zur Installation dieses Produkts sind Fachkenntnisse erforderlich. Lassen Sie die Installationsarbeiten unbedingt von Ihrem Sony-Händler oder lizenzierten Fachleuten ausführen und beachten Sie bei der Installation die nötigen Sicherheitsvorkehrungen.

##### Für Sony-Händler

Die folgenden Anweisungen richten sich ausschließlich an Sony-Händler. Lesen Sie die oben erläuterten Sicherheitsmaßnahmen sorgfältig durch und beachten Sie bei der Installation, der Wartung und der Überprüfung dieses Produkts alle relevanten Sicherheitsmaßnahmen.

**Beachten Sie beim Installieren der Wandhalterung an der Wand unbedingt die Anweisungen in dieser Gebrauchsanweisung.**

Wenn Schrauben nicht fest sitzen oder gar herausfallen, kann die Wandhalterung herunterfallen und Verletzungen oder Sachschäden verursachen. Verwenden Sie unbedingt Schrauben, die für das Material der Wand geeignet sind, und befestigen Sie die Halterung sicher mit mindestens vier Schrauben mit 6 mm Durchmesser oder entsprechenden Schrauben.





**Verwenden Sie die mitgelieferten Schrauben und Montageteile unbedingt wie in dieser Gebrauchsanweisung erläutert. Wenn Sie andere Teile verwenden, kann das Fernsehgerät herunterfallen. Dabei besteht die Gefahr von Verletzungen bzw. Schäden am Fernsehgerät.**

**Gehen Sie bei der Montage der Halterung unbedingt genau nach den Anweisungen in dieser Gebrauchsanweisung vor.**

Wenn Schrauben nicht fest sitzen oder gar herausfallen, kann das Fernsehgerät herunterfallen. Dabei besteht die Gefahr von Verletzungen bzw. Schäden am Fernsehgerät.

**Ziehen Sie unbedingt alle Schrauben an den angegebenen Stellen fest an.**

Andernfalls kann das Fernsehgerät herunterfallen. Dabei besteht die Gefahr von Verletzungen bzw. Schäden am Fernsehgerät.

**Schützen Sie das Fernsehgerät bei der Montage vor Stößen.**

Wenn das Fernsehgerät Stößen ausgesetzt wird, kann es herunterfallen oder beschädigt werden. Dabei besteht die Gefahr von Verletzungen.

**Montieren Sie das Fernsehgerät unbedingt an einer senkrechten und ebenen Wand.**

Andernfalls kann das Fernsehgerät herunterfallen und Verletzungen verursachen.

**Sichern Sie die Kabel ordnungsgemäß, nachdem das Fernsehgerät korrekt installiert wurde.**

Wenn jemand über die Kabel stolpert oder sich Gegenstände darin verfangen, besteht Verletzungsgefahr oder das Fernsehgerät kann beschädigt werden.

**Achten Sie darauf, das Netzkabel und das Verbindungskabel nicht einzuklemmen.**

Wenn das Netzkabel oder das Verbindungskabel zwischen dem Gerät und der Wand eingeklemmt oder mit Gewalt gebogen oder verdreht wird, wird möglicherweise die Kabelisolierung beschädigt. Die blanken Drähte können zu einem Kurzschluss führen oder es kann zu einer



elektrischen Unterbrechung kommen. In diesem Fall besteht Feuergefahr oder die Gefahr eines Stromschlags.

**Klemmen Sie sich bei der Montage nicht die Hände oder Finger ein.**

Gehen Sie bei der Montage der Wandhalterung und bei der Installation des Fernsehgeräts bitte vorsichtig vor, damit Sie sich nicht an den Händen oder Fingern verletzen.

**Die Schrauben, die zum Befestigen der Wandhalterung an der Wand benötigt werden, sind nicht im Lieferumfang enthalten.**

Verwenden Sie zur Installation der Wandhalterung für das Material und die Struktur der Wand geeignete Schrauben.

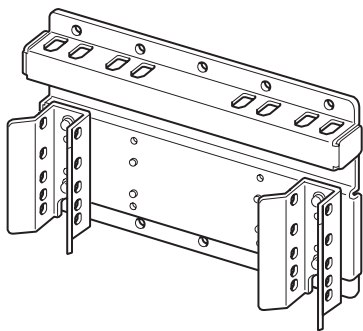
### Vorbereitungen für die Installation

Beachten Sie bei der Installation eines auf Seite 2 nicht aufgeführten Fernsehgeräts bitte unbedingt das mit dem Fernsehgerät gelieferte Infoblatt „Installieren der Wandhalterung“.

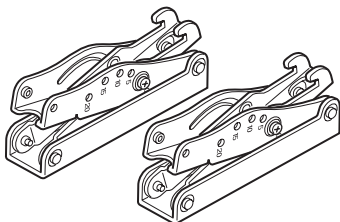
## Schritt 1: Überprüfen der für die Installation benötigten Teile

**1 Halten Sie mindestens vier Schrauben mit 6 mm Durchmesser oder entsprechende Schrauben (nicht mitgeliefert) und einen Schraubenzieher bereit. Wählen Sie Schrauben aus, die für das Material der Wand geeignet sind.**

**2 Öffnen Sie die Verpackung und vergewissern Sie sich, dass folgende Teile enthalten sind.**



Bodenplatte (1)



Befestigungsstrebe (2)



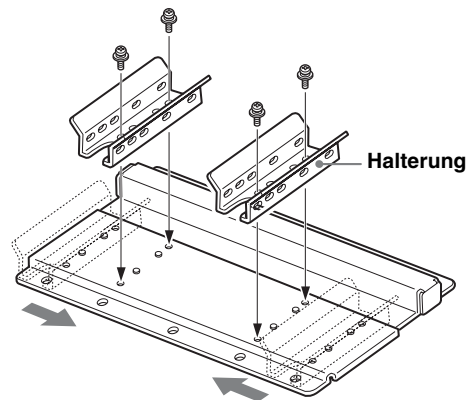
Schraube (+PSW4 x 12) (6)

## Schritt 2: Anpassen der Position der Halterungen der Bodenplatte

1

Größe des Fernsehschirms	Vorgehen
26 Zoll	Dieser Schritt ist nicht notwendig.
20 Zoll	Folgen Sie dieser Vorgehensweise.
Andere Größe	Schlagen Sie dazu bitte in dem mit dem Fernsehgerät gelieferten Infoblatt nach.

- Entfernen Sie die Schrauben, mit denen die linke und rechte Halterung an der Bodenplatte befestigt ist, und verschieben Sie die Halterungen auf die innere Position.
- Sichern Sie die beiden Halterungen fest mit den Schrauben, die Sie im vorherigen Schritt 1 entfernt haben.



### Hinweise

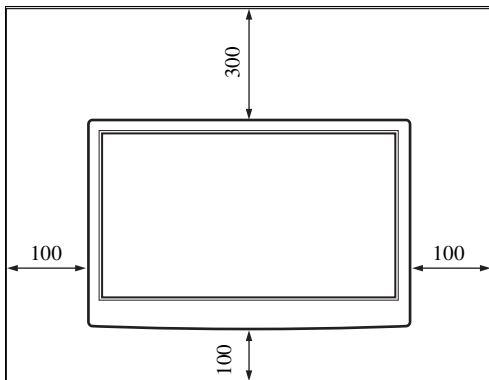
- Wenn Sie einen elektrischen Schraubenzieher verwenden, stellen Sie ein Drehmoment von etwa 1,5 N·m {15 kgf·cm} ein.
- Stellen Sie sicher, dass die vier Schrauben, mit denen die Bodenplatte und die Halterungen befestigt sind, fest angezogen wurden.

## Schritt 3: Festlegen der Montageposition

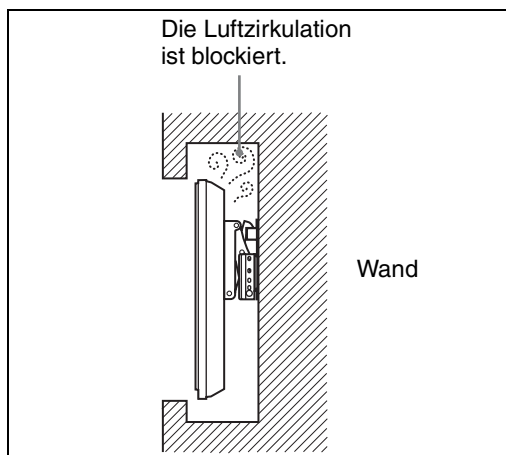
### 1 Beachten Sie die Angaben unter „Aufriss und Tabelle der Installationsabmessungen für das Fernsehgerät“ auf Seite 13 und legen Sie die Montageposition fest.

Halten Sie zwischen dem Fernsehgerät und der Decke bzw. vorstehenden Teilen der Wand unbedingt die in der Abbildung unten gezeigten Abstände ein.

Einheit: mm



Installieren Sie das Fernsehgerät auf keinen Fall wie im Folgenden dargestellt:



#### Hinweis

Wenn Sie die Kabel in der Wand verlegen möchten, bohren Sie vor der Installation ein Loch zum Hindurchführen der Kabel in die Wand.

### 2 Legen Sie mithilfe des Diagramms „Abmessungen für die Montage an der Wand“ auf Seite 14 die Position der Schrauben für die Installation der Bodenplatte fest.

#### WARNUNG

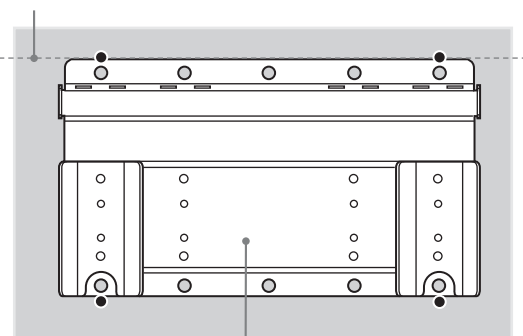
Die Wand, an der das Fernsehgerät installiert werden soll, muss eine Tragfähigkeit von mindestens dem **Vierfachen** des Gewichts des Fernsehgeräts aufweisen. In der Bedienungsanleitung zum Fernsehgerät finden Sie Angaben zu dessen Gewicht. Ermitteln Sie die Tragfähigkeit der Wand an der Montagestelle des Fernsehgeräts. Wenn nötig, muss die Wand ausreichend verstärkt werden.

## Schritt 4: Installieren der Bodenplatte an der Wand

### 1 Befestigen Sie die Bodenplatte mit mindestens vier Schrauben mit 6 mm Durchmesser oder entsprechenden Schrauben (nicht mitgeliefert) an der Wand.

Wählen Sie vier Schraublöcher, die im Diagramm unten mit dem Symbol ● gekennzeichnet sind, und ziehen Sie die Schrauben fest an, so dass sie sich nicht lösen können.

Richten Sie die Halterung waagrecht aus.



Bodenplatte

#### WARNUNG

- Die in diesem Teilschritt erforderlichen Schrauben werden nicht mitgeliefert. Wählen Sie Schrauben aus, die für das Material und die Struktur der Wand geeignet sind.
- Wenn sich die Bodenplatte nicht sicher genug befestigen lässt, verwenden Sie zusätzliche Schrauben.
- Vergewissern Sie sich, dass die Bodenplatte fest an der Wand montiert ist.

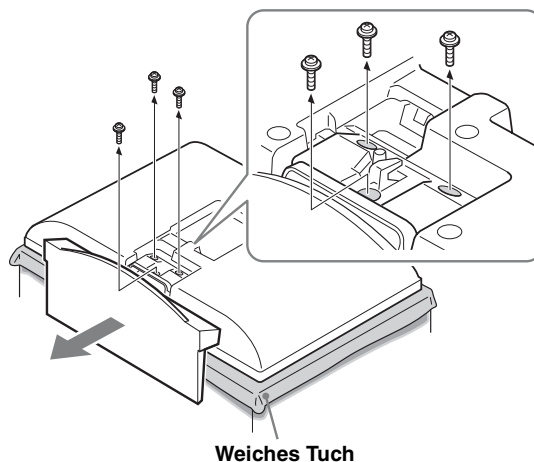
## Schritt 5: Vorbereitungen für die Installation des Fernsehgeräts

Beachten Sie bei der Installation eines auf Seite 2 nicht aufgeführten Fernsehgeräts bitte unbedingt das mit dem Fernsehgerät gelieferte Infoblatt „Installieren der Wandhalterung“.

### 1 Entfernen Sie die Schrauben an der Rückseite des Fernsehgeräts. Nehmen Sie dann den Tischständer vom Fernsehgerät ab.

Legen Sie das Fernsehgerät mit dem Bildschirm nach unten auf eine stabile, mit einem Tuch bedeckte Arbeitsfläche.

**Für die Benutzer folgender Fernsehgeräte:**  
KDL-26S30xx \*/KLV-26V300A



Weiches Tuch

\* „xx“ steht für Zahlen und/oder Zeichen, die im eigentlichen Modellnamen für das jeweilige Modell eindeutig sind.

#### Hinweise

- Wenn Sie den Tischständer vom Fernsehgerät abnehmen wollen, legen Sie es mit dem Bildschirm nach unten auf eine stabile Arbeitsfläche, die größer ist als das Fernsehgerät.
- Um Beschädigungen am LCD-Bildschirm zu vermeiden, legen Sie ein weiches Tuch auf die Arbeitsfläche.

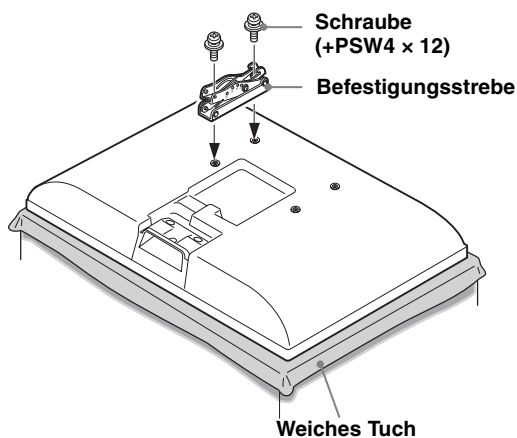
#### VORSICHT

- Wenn das Fernsehgerät Druck oder Stößen ausgesetzt ist, kann der LCD-Bildschirm brechen oder anderweitig beschädigt werden.
- Legen Sie das Fernsehgerät mit dem Bildschirm nach unten auf eine stabile und ebene Oberfläche, so dass der Tischständer über die Kante der Unterlage hinausragt. Wenn Sie den Bildschirm und den Fuß des Tischständers auf derselben Oberfläche ablegen, liegt das Fernsehgerät instabil und kann beschädigt werden.
- Wenn Sie den Tischständer vom Fernsehgerät abnehmen, halten Sie ihn mit beiden Händen fest.

Wenn Sie einen elektrischen Schraubenzieher verwenden, stellen Sie ein Drehmoment von etwa 1,5 N·m {15 kgf·cm} ein. Ziehen Sie unbedingt die Schrauben an (je zwei Schrauben links und rechts), bevor Sie die Befestigungsstreben anheben. Andernfalls können sich die Befestigungsstreben und das Gehäuse des Fernsehgeräts verformen.

## 2 Befestigen Sie die Befestigungsstrebe von der linken Seite an der Rückseite des Fernsehgeräts.

- 1 Befestigen Sie die Befestigungsstrebe mit den mitgelieferten zwei Schrauben (+PSW4 × 12) provisorisch an der Rückseite des Fernsehgeräts.
- 2 Achten Sie darauf, beide Schrauben an der Rückseite des Fernsehgeräts mit gleichem Drehmoment anzuziehen.



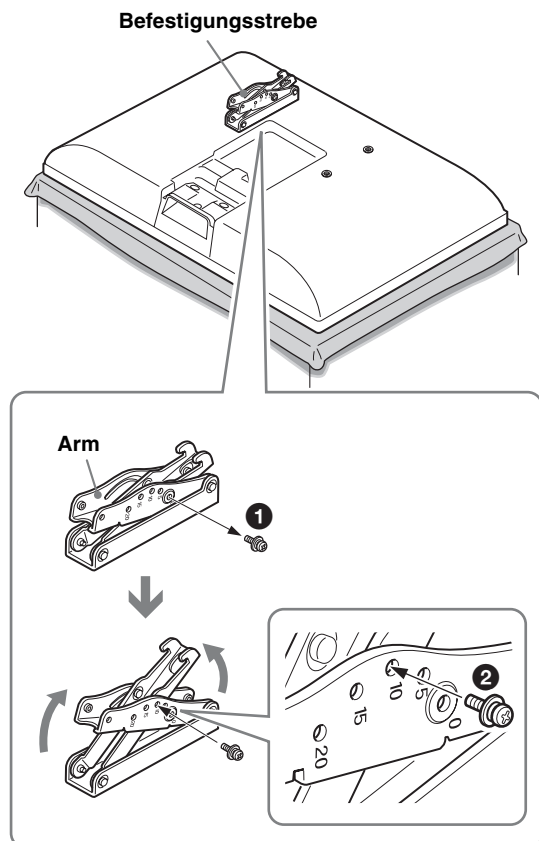
### Hinweise

- Wenn Sie die rechte Befestigungsstrebe zuerst anbringen, lässt sich der Winkel nur schwierig anpassen. Bringen Sie zuerst die linke Befestigungsstrebe an.
- Verwenden Sie zum Fixieren der Befestigungsstreben auf keinen Fall andere als die mitgelieferten Schrauben (+PSW4 × 12).

## 3 Passen Sie den Winkel der Befestigungsstrebe an.

Wenn Sie das Fernsehgerät parallel zur Wand (in einem Winkel von 0 Grad) anbringen wollen, brauchen Sie den Winkel der Befestigungsstrebe nicht einzustellen, also Teilschritt 1 und 2 unten nicht auszuführen.

- 1 Entfernen Sie die Schraube zum Anpassen des Winkels aus dem Arm der Befestigungsstrebe. Wählen Sie die Bohrungen entsprechend dem gewünschten Winkel (5, 10, 15 oder 20 Grad) aus.
- 2 Sichern Sie den Arm fest mit der Schraube, die Sie im vorherigen Schritt 1 entfernt haben.



### VORSICHT

Achten Sie darauf, sich nicht die Finger einzuklemmen, wenn Sie den Winkel der Befestigungsstrebe einstellen.

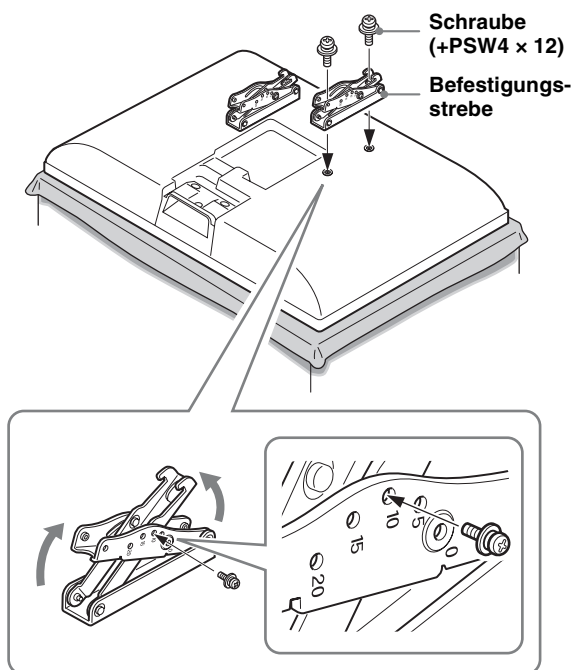
(Fortsetzung)

9 (DE)

## 4 Befestigen Sie die Befestigungsstrebe an der rechten Seite der Rückseite des Fernsehgeräts.

- 1 Befestigen Sie die Befestigungsstrebe mit den mitgelieferten zwei Schrauben (+PSW4 × 12) provisorisch an der Rückseite des Fernsehgeräts.
- 2 Achten Sie darauf, beide Schrauben an der Rückseite des Fernsehgeräts mit gleichem Drehmoment fest anzuziehen.

Wenn Sie den Winkel der linken Befestigungsstrebe angepasst haben, führen Sie die gleiche Anpassung unter Punkt 3 von Schritt 5 „Passen Sie den Winkel der Befestigungsstrebe an“ auch für die rechte Strebe durch.



### Hinweise

- Stellen Sie unbedingt für die Halterungsarme links und rechts denselben Winkel ein.
- Vergewissern Sie sich, dass die beiden Armstützen sicher angeschraubt sind.

## Schritt 6: Montieren des Fernsehgeräts an der Wand

Beachten Sie bei der Installation eines auf Seite 2 nicht aufgeführten Fernsehgeräts bitte unbedingt das mit dem Fernsehgerät gelieferte Infoblatt „Installieren der Wandhalterung“.

### WARNUNG

Achten Sie darauf, dass Sie die Montage abgeschlossen haben, bevor Sie das Netzkabel in die Netzsteckdose stecken. Wenn das Netzkabel unter oder zwischen anderen Gegenständen eingeklemmt wird, kann dies zu einem Kurzschluss oder einem Stromschlag führen. Achten Sie darauf, dass Sie nicht über das Netzkabel oder das Fernsehgerät stolpern, da Sie sich andernfalls verletzen könnten.

## 1 Schließen Sie das Netzkabel und das/die mit dem Fernsehgerät gelieferte(n) Verbindungskabel an das Fernsehgerät an.

Schließen Sie das Netzkabel und das/die Verbindungskabel an die Anschlüsse an der Rückseite des Fernsehgeräts an. Genaue Anweisungen zum Anschließen von Netzkabel und Verbindungskabel(n) finden Sie in der Bedienungsanleitung zum Fernsehgerät.

### Hinweise

- Sie können die Kabel nicht an das Fernsehgerät anschließen, nachdem Sie es an der Bodenplatte angebracht haben.
- Lassen Sie das Verlegen der Kabel in der Wand von einem lizenzierten Fachmann ausführen.

## 2 Installieren Sie das Fernsehgerät auf der Bodenplatte.

- 1 Legen Sie mithilfe des Diagramms/der Tabelle für die Position der Haken auf Seite 14 die Bohrungen an der oberen Bodenplatte fest, in die die oberen Haken der Befestigungsstreben eingehängt werden.
- 2 Halten Sie das Fernsehgerät mit beiden Händen fest und hängen Sie es behutsam an die Wand.

# Überprüfen der Installation

## Überprüfen Sie Folgendes:

- Die Haken der Befestigungsstreben müssen sicher in die Bohrungen an der Bodenplatte eingehängt sein.
- Vergewissern Sie sich, dass das Netzkabel und die anderen Kabel nicht verdreht oder eingeklemmt sind.
- Die beiden Schrauben, die Befestigungsstrebe und Bodenplatte sichern, müssen fest angezogen sein.

### WARNUNG

Stellen Sie den Winkel der Befestigungsstreben nicht ein, wenn das Fernsehgerät an der Wand installiert ist. Die Installation muss vollständig durchgeführt werden. Andernfalls kann das Gerät herunterfallen. Dabei besteht die Gefahr von Verletzungen oder Sachschäden. Eine unsachgemäße Verlegung des Netzkabels oder der anderen Kabel kann zu einem Kurzschluss und infolgedessen zu Feuer oder einem elektrischen Schlag führen.

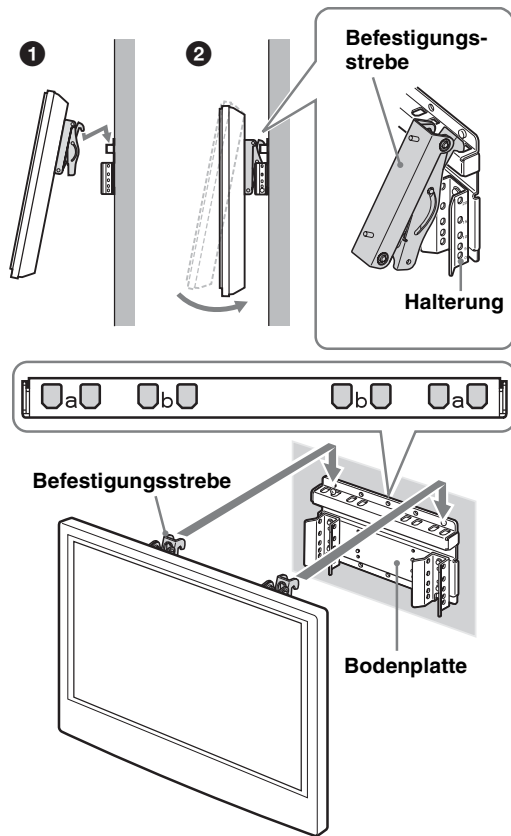
Überprüfen Sie die fertige Installation daher zur Sicherheit unbedingt noch einmal.

## Wenn Sie das Fernsehgerät abnehmen wollen

### Für Sony-Händler

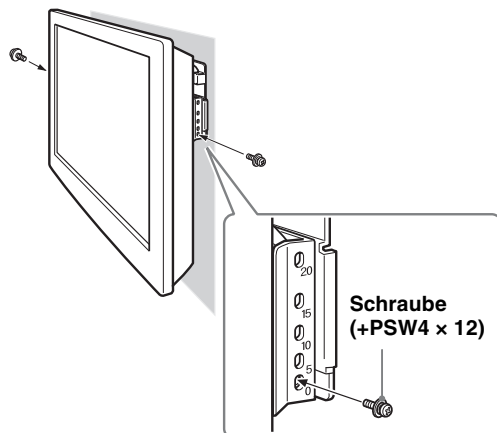
**1 Lösen Sie das Netzkabel von der Netzsteckdose.**

**2 Entfernen Sie die beiden Schrauben, mit denen das Fernsehgerät an der Bodenplatte befestigt ist. (Die Position der Schrauben ist in Teilschritt 3 unter Schritt 6 auf Seite 11 erläutert.)**



## 3 Befestigen Sie das Fernsehgerät mit den beiden mitgelieferten Schrauben (+PSW4 x 12) sicher an der Bodenplatte.

Befestigen Sie die Schraube in der gleichen Winkelmarkierung, die Sie unter Punkt 3 von Schritt 5 eingestellt haben.



### Hinweis

Wenn Sie einen elektrischen Schraubenzieher verwenden, stellen Sie ein Drehmoment von etwa 1,5 N·m { 15 kgf·cm } ein.

### WARNUNG

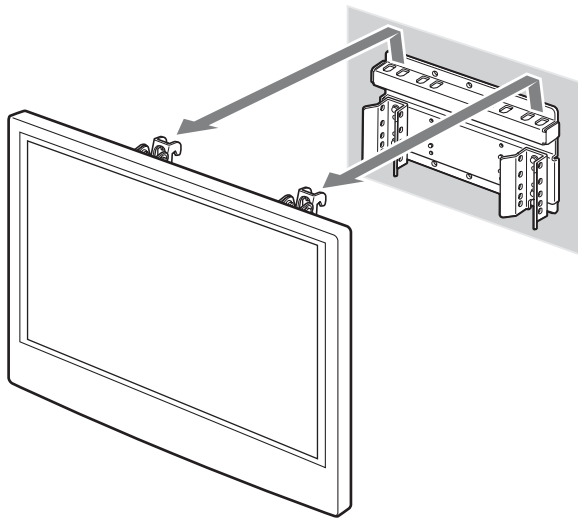
Achten Sie darauf, die Befestigungsschrauben links und rechts fest anzuziehen. Andernfalls kann das Fernsehgerät beim Anheben herunterfallen und Verletzungen verursachen.

(Fortsetzung)

11 (DE)



### 3 Heben Sie das Fernsehgerät so weit an, dass Sie es abnehmen können.



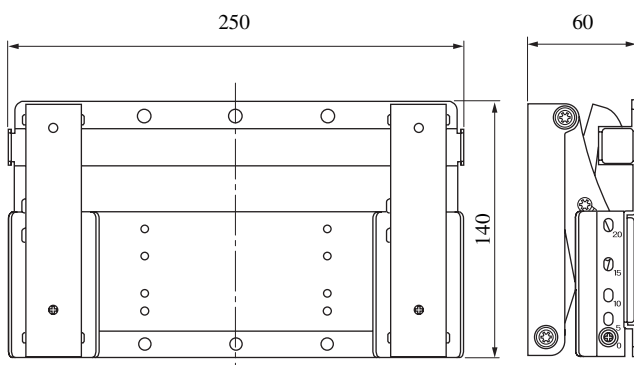
#### **VORSICHT**

- Achten Sie darauf, dass sich die Kabel beim Abnehmen des Fernsehgeräts nirgendwo verfangen.
- Gehen Sie beim Abnehmen des Fernsehgeräts bitte vorsichtig vor, damit Sie sich nicht an den Händen oder Fingern verletzen.

## Technische Daten

Einheit: mm

Gewicht: 1,2 kg



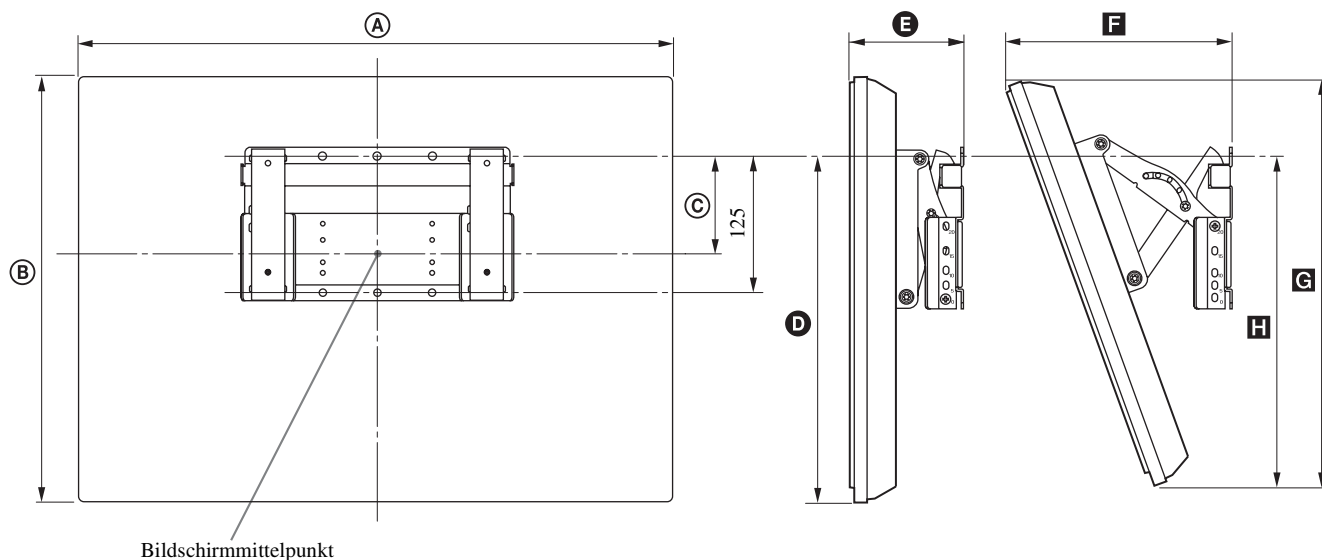
Design und technische Daten können ohne vorherige Ankündigung geändert werden.



# Aufriss und Tabelle der Installationsabmessungen für das Fernsehgerät

Die Tabelle unten zeigt die Abmessungen von Fernsehgeräten, die an dieser Wandhalterung montiert werden können. Beachten Sie bei der Auswahl der Montagestelle bitte die Angaben in dieser Tabelle.

Beachten Sie bei der Installation eines unten nicht aufgeführten Fernsehgeräts bitte unbedingt das mit dem Fernsehgerät gelieferte Infoblatt „Installieren der Wandhalterung“.



Einheit: mm

Modellbezeichnung	Abmessungen des Fernsehgeräts		Abstand von Bildschirmmittellinie	Abmessungen bei verschiedenen Montagewinkeln				
				Winkel (0°)		Winkel (20°)		
	A	B	C	D	E	F	G	H
KDL-26S30xx */KLV-26V300A	656	452	107	355	156	256	443	358

Einige Modelle sind in einigen Regionen nicht erhältlich.

Die Angaben in der Tabelle oben können je nach Installation etwas variieren.

\* „xx“ steht für Zahlen und/oder Zeichen, die im eigentlichen Modellnamen für das jeweilige Modell eindeutig sind.

## Hinweis

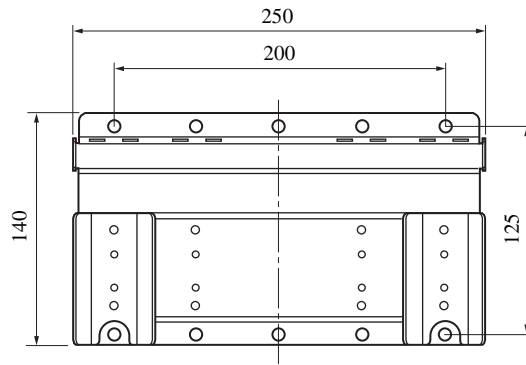
Beim europäischen Modell des KDL-26S30xx sind die Abmessungen anders als in der Tabelle oben angegeben. Schlagen Sie dazu bitte in dem mit dem Fernsehgerät gelieferten Infoblatt nach.

## WARNUNG

Die Wand, an der das Fernsehgerät installiert werden soll, muss eine Tragfähigkeit von mindestens dem Vierfachen des Gewichts des Fernsehgeräts aufweisen. In der Bedienungsanleitung zum Fernsehgerät finden Sie Angaben zu dessen Gewicht.

# Abmessungen für die Montage an der Wand

Einheit: mm

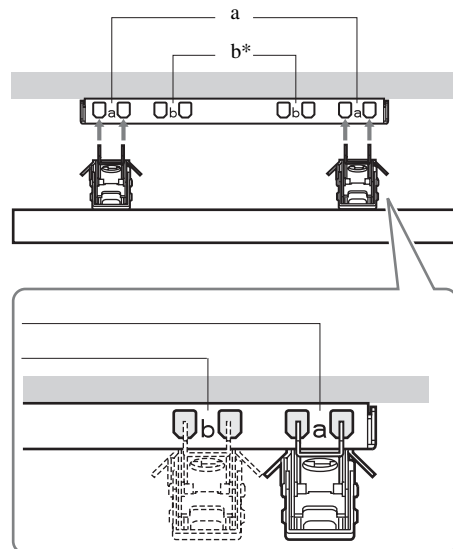


## Diagramm/Tabelle für Position der Haken

Modellbezeichnung	Position der Haken
KDL-26S30xx * KLV-26V300A	a

Einige Modelle sind in einigen Regionen nicht erhältlich.

\* „xx“ steht für Zahlen und/oder Zeichen, die im eigentlichen Modellnamen für das jeweilige Modell eindeutig sind.



\* Die Einhängesposition „b“ kann für die Modelle in der Tabelle links nicht verwendet werden.



## Dank u voor de aankoop van dit product.

### Voor klanten

Om dit product te kunnen installeren is afdoende deskundigheid nodig. Besteed de installatie uit aan dealers van Sony of aan aannemers met een vergunning en schenk tijdens de installatie speciale aandacht aan de veiligheid. Sony is niet aansprakelijk voor schade of letsel als gevolg van het onjuist handelen of een onjuiste installatie of de installatie van een ander product dan het opgegeven product. Uw wettelijke rechten (indien van toepassing) worden niet aangetast.

## WAARSCHUWING

Als er geen rekening wordt gehouden met de veiligheidsmaatregelen of als het product onjuist wordt gebruikt, kan dit ernstig letsel of brand tot gevolg hebben.

In deze gebruiksaanwijzing wordt beschreven hoe het product moet worden gebruikt en worden belangrijke voorzorgsmaatregelen gegeven die zijn vereist om ongelukken te voorkomen. Lees deze gebruiksaanwijzing aandachtig door en gebruik het product op de juiste manier. Bewaar deze gebruiksaanwijzing voor toekomstig gebruik.

### Voor Sony-handelaars

Om dit product te kunnen installeren is afdoende deskundigheid nodig. Lees deze gebruiksaanwijzing aandachtig door zodat u de installatie veilig kunt uitvoeren. Sony is niet aansprakelijk voor schade of letsel als gevolg van onjuist handelen of een onjuiste installatie. Geef deze gebruiksaanwijzing aan de klant nadat het product is geïnstalleerd.

## Veiligheid

Bij het ontwerpen van producten houdt Sony rekening met de veiligheid. Als de producten onjuist worden gebruikt, kan dit echter ernstig letsel veroorzaken als gevolg van brand, elektrische schokken, omvallen van het product of vallen van het product. Houd rekening met de veiligheidsmaatregelen om dergelijke ongelukken te voorkomen.

## LET OP

### Opgegeven producten

De volgende producten kunnen worden gewijzigd zonder voorafgaande kennisgeving, zijn mogelijk niet voorradig of worden mogelijk niet meer gemaakt. Bovendien worden bepaalde modellen verkocht in bepaalde gebieden.

LCD-kleurentelevisie	KDL-26S30xx * KLV-26V300A
----------------------	------------------------------

\* In de werkelijke modelnamen staan in plaats van "xx" nummers en/of letters die voor elk model anders zijn.

Deze wandmontagesteun is speciaal geschikt voor gebruik met de hiervoor opgegeven producten. Controleer voor andere tv's in de bijbehorende bedieningsinstructies of u daarvoor deze wandmontagesteun kunt gebruiken. Bij sommige tv's wordt een informatiefel geleverd waarop wordt uitgelegd hoe u de wandmontagesteun installeert ("De wandmontagesteun installeren").

## WAARSCHUWING

Als er geen rekening wordt gehouden met de volgende voorzorgsmaatregelen, kan dit leiden tot ernstig letsel of de dood als gevolg van brand, elektrische schokken, omvallen van het product of vallen van het product.

### Besteed de installatie uit aan bevoegde installateurs en houd kleine kinderen uit de buurt tijdens de installatie.

Als de wandmontagesteun of de tv niet correct wordt geïnstalleerd, kunnen de volgende ongelukken plaatsvinden. Zorg ervoor dat de installatie wordt uitgevoerd door bevoegde installateurs.



- De tv kan vallen en ernstig letsel veroorzaken, zoals kneuzingen of breuken.
- Als de muur waaraan de wandmontagesteun wordt bevestigd, instabiel of ongelijk is of niet loodrecht op de vloer staat, kan de steun vallen. Dit kan letsel of beschadiging van eigendommen tot gevolg hebben. De muur moet sterk genoeg zijn om ten minste vier keer het gewicht van de tv te dragen. (Raadpleeg de instructies van uw tv voor het gewicht.)
- Als de wandmontagesteun niet stevig genoeg op de muur wordt bevestigd, kan de steun vallen. Dit kan letsel of beschadiging van eigendommen tot gevolg hebben.

### Als u de tv wilt verplaatsen of van de steun wilt halen, moet u dit werk uitbesteden aan bevoegde installateurs.

Als andere personen dan bevoegde installateurs de tv verplaatsen of van de steun halen, kan de tv vallen. Dit kan letsel of beschadiging van eigendommen tot gevolg hebben.

### Mors geen vloeistoffen op de tv.

Als de tv nat wordt, kan dit brand of elektrische schokken tot gevolg hebben.

### Verwijder de schroeven niet nadat de tv op de steun is bevestigd.

Als u dit wel doet, kan de tv vallen. Dit kan letsel of beschadiging van eigendommen tot gevolg hebben.

### Haal de wandmontagesteun niet uit elkaar en pas de onderdelen van de steun niet aan.

Als u dit wel doet, kan de wandmontagesteun vallen. Dit kan letsel of beschadiging van eigendommen tot gevolg hebben.

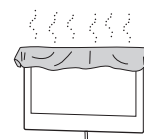


### Plaats geen andere apparaten dan de opgegeven producten op de steun.

Deze wandmontagesteun is alleen geschikt voor gebruik met de opgegeven producten. Als u andere apparaten dan de opgegeven producten plaatst, kunnen die vallen of kapot gaan. Dit kan letsel of beschadiging van eigendommen tot gevolg hebben.

### Dek de ventilatieopeningen van de tv niet af.

Als u de ventilatieopeningen afdekt (bijvoorbeeld met een doek) kan de tv of monitor oververhit raken. Dit kan brand tot gevolg hebben.



### Plaats geen ander gewicht dan de tv op de wandmontagesteun.

Als u dit wel doet, kan de tv vallen. Dit kan letsel of beschadiging van eigendommen tot gevolg hebben.



### Leun niet op en hang niet aan de tv.

Leun niet op en hang niet aan de tv. De tv kan op u vallen en ernstig letsel veroorzaken.



### Stel de tv niet bloot aan regen of vocht.

Dit kan brand of elektrische schokken tot gevolg hebben.

### Installeer de tv nooit op hete, vochtige of erg stoffige plaatsen of op een plaats waar de tv wordt blootgesteld aan mechanische trillingen.

Als u dit wel doet, kan dit brand of elektrische schokken tot gevolg hebben.

### Houd ontvlambare voorwerpen en open vuur (zoals kaarsen) uit de buurt van de tv.

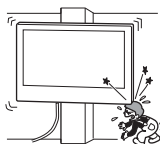
Houd ontvlambare voorwerpen en open vuur (zoals kaarsen) uit de buurt van de tv om brand te voorkomen.

## LET OP

Als er geen rekening wordt gehouden met de volgende voorzorgsmaatregelen, kan dit letsel of beschadiging van eigendommen tot gevolg hebben.

### Installeer de wandmontagesteun niet op een muuroppervlak waar de hoeken of zijkanten van de tv uitsteken.

Installeer de wandmontagesteun niet op muuroppervlakken, zoals een pilaar, waar de hoeken of zijkanten van de tv uitsteken. Als een persoon of voorwerp tegen een uitstekende hoek of zijkant van de tv botst, kan dit letsel of beschadiging van eigendommen tot gevolg hebben.



### Oefen niet te veel druk uit op het product als u dit reinigt of onderhoudt.

Oefen niet te veel druk uit op de bovenkant van de tv. Als u dit wel doet, kan de tv vallen. Dit kan letsel of beschadiging van eigendommen tot gevolg hebben.

### Installeer de tv niet boven of onder de airconditioning.

Als de tv voor langere tijd wordt blootgesteld aan waterlekkage of luchtcirculatie van de airconditioning, kan dit brand, elektrische schokken of een storing van de tv tot gevolg hebben.

## Vorzorgsmaatregelen

- Als u de tv langere tijd gebruikt terwijl deze op de wandmontagesteun is bevestigd, kan de muur achter of boven de tv verkleuren en kan het behang losraken, afhankelijk van het materiaal waarvan de muur is gemaakt.
- Wordt de wandmontagesteun verwijderd nadat u deze aan de muur heeft bevestigd, dan blijven de schroefgaten zichtbaar.
- Als er achter de muur voedingskabels van 300 ohm lopen, kunt u deze kabels het beste vervangen door coaxkabels van 75 ohm. Als u toch voedingskabels van 300 ohm moet gebruiken, controleer dan vóór de installatie of er voldoende ruimte tussen de tv en de voedingskabels achter de muur is. Voordat de steun wordt geïnstalleerd, moet u contact opnemen met de bevoegde installateur over een geschikte installatieplaats (geen radiostoring, enzovoort).

## De wandmontagesteun installeren

### Voor Sony-handelaars

#### WAARSCHUWING

##### Voor klanten

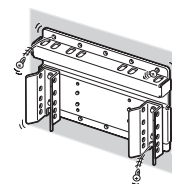
Om dit product te kunnen installeren is afdoende deskundigheid nodig. Besteed de installatie uit aan dealers van Sony of aan aannemers met een vergunning, en schenk tijdens de installatie speciale aandacht aan de veiligheid.

##### Voor Sony-handelaars

De volgende instructies zijn alleen voor Sony-handelaars. Lees de bovenstaande veiligheidsmaatregelen aandachtig door en houd voldoende rekening met de veiligheid tijdens het installeren, onderhouden en controleren van dit product.

### Bevestig de wandmontagesteun stevig aan de muur volgens de instructies in deze gebruiksaanwijzing.

Als een van de schroeven loszit of uit de muur valt, kan de wandmontagesteun vallen. Dit kan letsel of beschadiging van eigendommen tot gevolg hebben. Gebruik schroeven die geschikt zijn voor het materiaal waarvan de muur is gemaakt en zorg ervoor dat u de steun stevig bevestigt met vier of meer schroeven met een diameter van 6 mm (of gelijkwaardig).



**Gebruik de bijgeleverde schroeven en montageonderdelen op de juiste manier volgens de instructies in deze gebruiksaanwijzing. Als u andere onderdelen gebruikt, kan de tv vallen. Dit kan lichamelijk letsel of beschadiging van de tv tot gevolg hebben.**

### Monteer de steun op de juiste manier volgens de procedure in deze gebruiksaanwijzing.

Als een van de schroeven loszit of uit de muur valt, kan de tv vallen. Dit kan lichamelijk letsel of beschadiging van de tv tot gevolg hebben.

## Draai de schroeven stevig vast op de aangegeven plaats.

Als u dit niet doet, kan de tv vallen. Dit kan lichamelijk letsel of beschadiging van de tv tot gevolg hebben.

## Stel de tv niet bloot aan schokken tijdens de installatie.

Als de tv wordt blootgesteld aan schokken, kan die vallen of kapot gaan. Dit kan letsel tot gevolg hebben.

## Bevestig de tv aan een vlakke muur die loodrecht op de vloer staat.

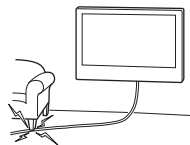
Als u dit niet doet, kan de tv vallen. Dit kan letsel tot gevolg hebben.

## Als de tv op de juiste manier is geïnstalleerd, moeten de kabels goed worden vastgezet.

Als personen of voorwerpen verward raken in de kabels, dan kan dit letsel of beschadiging van de tv tot gevolg hebben.

## Zorg ervoor dat het netsnoer en de verbindingkabel niet beklemd raken.

Als het netsnoer of de verbindingkabel beklemd raakt tussen de steun en de muur of als een van beide met kracht gebogen of gedraaid is, kan de interne bedrading worden blootgelegd waardoor kortsluiting of een stroomonderbreking kan worden veroorzaakt. Dit kan brand of elektrische schokken tot gevolg hebben.



## Wees voorzichtig en bezeer uw handen en vingers niet tijdens de installatie.

Wees voorzichtig en bezeer uw handen en vingers niet tijdens het installeren van de wandmontagesteun of de tv.

## De schroeven die nodig zijn om de wandmontagesteun aan de muur te bevestigen, worden niet bijgeleverd.

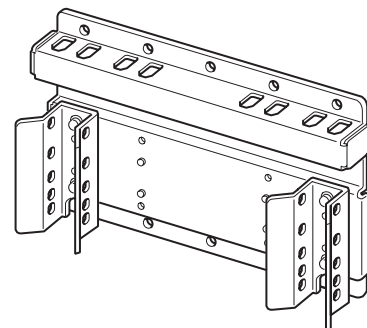
Als u de wandmontagesteun installeert, moet u schroeven gebruiken die geschikt zijn voor het materiaal en de structuur van de muur.

### Voor installatie

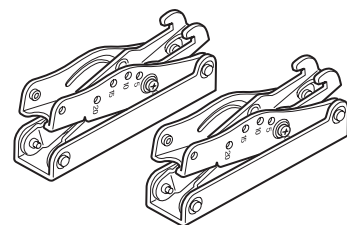
Als u een tv wilt installeren die niet is vermeld op pagina 2, raadpleeg dan het informatieveel "De wandmontagesteun installeren" dat bij uw tv is geleverd.

## Stap 1: Onderdelen benodigd voor de installatie controleren

- 1 Leg vier of meer schroeven met een diameter van 6 mm of gelijkwaardige schroeven (niet bijgeleverd) en een schroevendraaier klaar. Kies schroeven die geschikt zijn voor het materiaal waarvan de muur is gemaakt.
- 2 Pak de kartonnen doos uit en controleer of de volgende onderdelen aanwezig zijn.



Basisplaat (1)



Montagehaak (2)



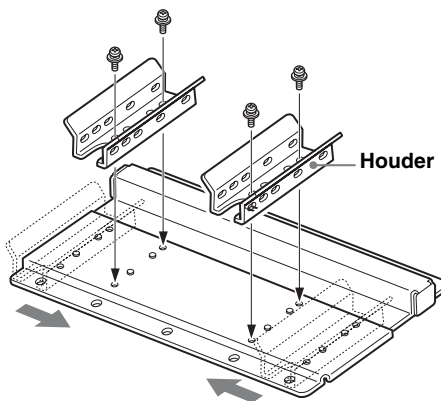
Schroef (+PSW4 x 12) (6)

## Stap 2: De positie van de houders van de basisplaat aanpassen

1

Formaat televisiescherm	Procedure
26 inch	Deze procedure is niet nodig.
20 inch	Volg deze procedure.
Overige	Raadpleeg de gebruiksaanwijzing van de TV.

- 1 Verwijder de schroeven die de linker- en rechterhouders op de basisplaat bevestigen en verplaats de houders naar binnen.
- 2 Maak iedere houder stevig vast met de schroeven die u in de vorige procedure verwijderde 1.



### Opmerkingen

- Als u een elektrische schroevendraaier gebruikt, stel dan het draaimoment in op ongeveer 1,5 N·m { 15 kgf·cm }.
- Zorg ervoor dat de vier schroeven die de basisplaat en de houders aan elkaar bevestigen stevig zijn vastgedraaid.

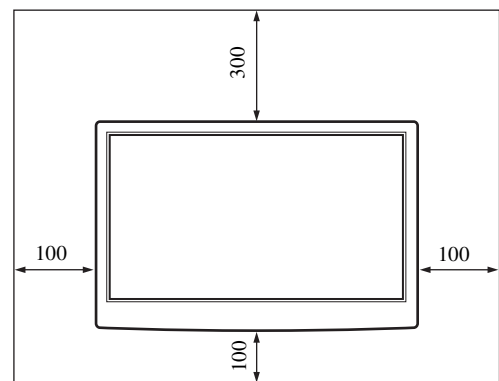
## Stap 3: Installatieplek bepalen

1

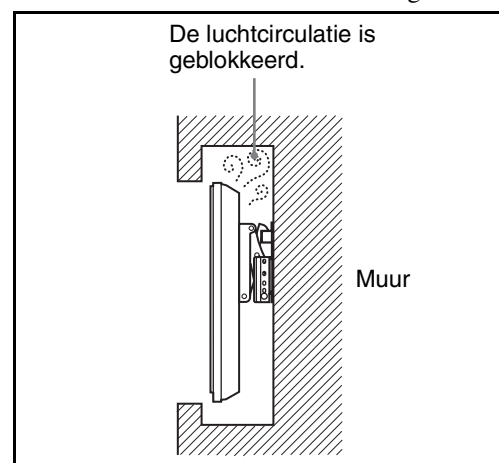
### Raadpleeg de maattabel voor installatie van de tv op pagina 12 om de installatieplek te bepalen.

Zorg voor de juiste speling tussen de tv en het plafond en uitstekende onderdelen van de muur, zoals hieronder weergegeven.

Eenheid: mm



Installeer de tv nooit zoals hieronder getoond:



### Opmerking

Als u de kabels door de muur wilt geleiden, maak dan een gat in de muur om de kabels door te steken voordat u start met de installatie.



## 2 Raadpleeg het maatschema voor wandmontage op pagina 13 en bepaal de posities van de schroeven om de basisplaat te bevestigen.

### WAARSCHUWING

De muur waartegen de tv wordt gemonteerd, moet geschikt zijn om ten minste **viermaal** het gewicht van de tv te dragen (raadpleeg de instructies van uw tv voor het gewicht).

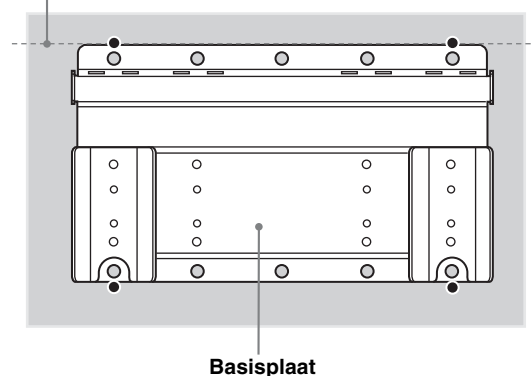
Bepaal de sterkte van de muur waartegen de tv wordt gemonteerd. Verstevig de muur voldoende, indien noodzakelijk.

## Stap 4: De basisplaat aan de muur vastmaken

### 1 Maak de basisplaat aan de muur vast met behulp van vier of meer schroeven met een diameter van 6 mm of gelijkwaardige schroeven (niet bijgeleverd).

Selecteer vier schroefgaten met de markering ● weergegeven in het onderstaande schema en draai de schroeven stevig vast zodat ze niet loskomen.

Breng de plaat zodanig in lijn dat deze precies hangt.



### WAARSCHUWING

- De schroeven die nodig zijn voor deze procedure worden niet bijgeleverd. Kies schroeven uit die geschikt zijn voor het materiaal en de structuur van de muur.
- Gebruik meer schroeven als u de basisplaat niet stevig genoeg kunt vastmaken.
- Controleer of de basisplaat stevig aan de muur is bevestigd.

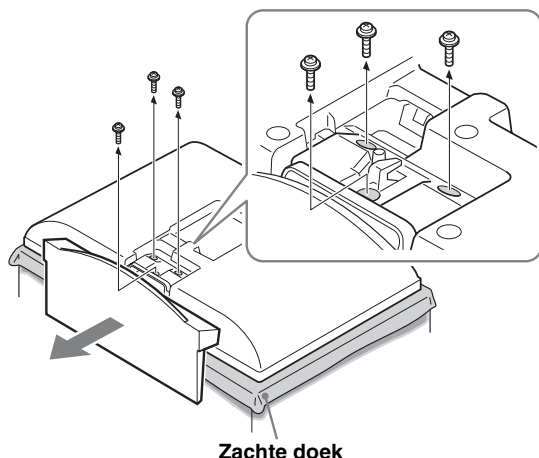
## Stap 5: Vorbereiding van de installatie van de tv

Als u een tv wilt installeren die niet is vermeld op pagina 2, raadpleeg dan het informatievel "De wandmontagesteun installeren" dat bij uw tv is geleverd.

### 1 Verwijder de schroeven van de achterkant van de tv. Maak vervolgens de tafelstandaard los van de tv.

Leg de tv met het scherm naar beneden op een stabiel werkblad dat is bedekt met een doek.

Voor gebruikers van de volgende tv's:  
KDL-26S30xx \*/KLV-26V300A



\* In de werkelijke modelnamen staan in plaats van "xx" nummers en/of letters die voor elk model anders zijn.

#### Opmerkingen

- Wanneer u de tafelstandaard van de tv verwijdert, legt u de tv met het scherm naar beneden op een stabiel oppervlak dat groter is dan de tv.
- Om beschadiging van het oppervlak van het lcd-scherm te voorkomen, plaatst u een zachte doek op het werkblad.

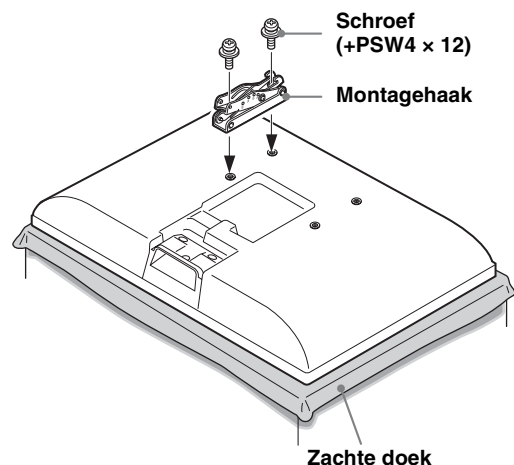
#### LET OP

- Als er druk wordt uitgeoefend op het oppervlak van de tv of als het wordt blootgesteld aan schokken, kan het lcd-scherm breken of beschadigd worden.
- Leg de tv met het scherm naar beneden op een stabiel en horizontaal oppervlak, terwijl de tafelstandaard over de rand van het oppervlak hangt. Als u het scherm en de basis van de tafelstandaard op hetzelfde horizontale oppervlak plaatst, zorgt dit voor onstabiele werkomstandigheden en kan de tv beschadigd worden.
- Houd de tafelstandaard stevig vast met beide handen wanneer u deze losmaakt van de tv.

Als u een elektrische schroevendraaier gebruikt, stel dan het draaimoment in op ongeveer 1,5 N·m { 15 kgf·cm }. Hef de montagehaak niet op voordat de schroeven (telkens twee schroeven voor links/rechts) zijn vastgedraaid. Hierdoor kan de montagehaak of de tv-kast vervormen.

### 2 Maak de montagehaak vast links aan de achterkant van de tv.

- 1 Bevestig de montagehaak tijdelijk aan de achterkant van de tv met behulp van de twee bijgeleverde schroeven (+PSW4 × 12).
- 2 Zorg ervoor dat beide schroeven stevig zijn vastgedraaid met dezelfde wringkracht aan de achterkant van de tv.



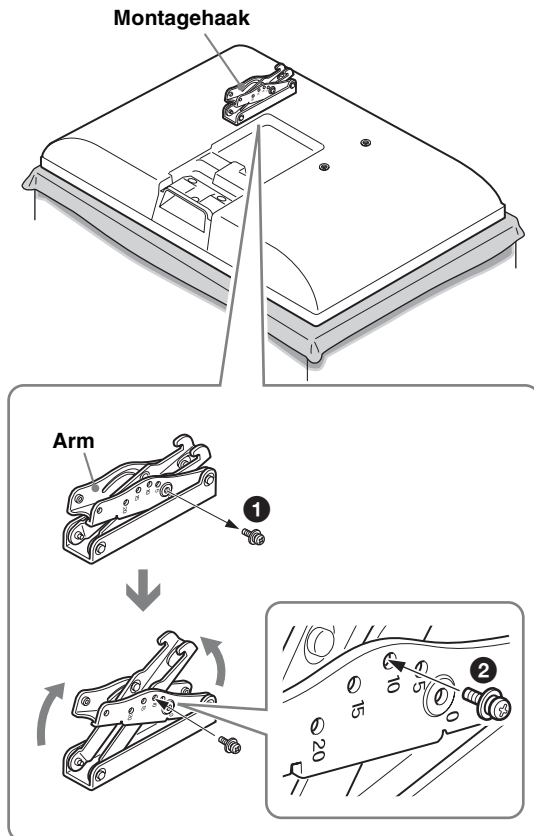
#### Opmerkingen

- Als u de rechtermontagehaak eerst installeert, is het moeilijk om de haak aan te passen. Installeer eerst de linkermontagehaak.
- Gebruik geen andere schroeven dan de meegeleverde schroeven (+PSW4 × 12) voor het bevestigen van de montagehaak.

### 3 Pas de hoek van de montagehaak aan.

Als u de tv evenwijdig met de muur plaatst (0 graden), is aanpassing van de hoek van de montagehaak (procedure 1 en 2 hierna) niet nodig.

- 1 Verwijder de schroef voor de hoekregeling uit de arm van de montagehaak. Kies de gaten overeenkomstig de gewenste hoek (5, 10, 15 of 20 graden).
- 2 Maak de arm stevig vast met de schroef die u in de vorige procedure verwijderde 1.



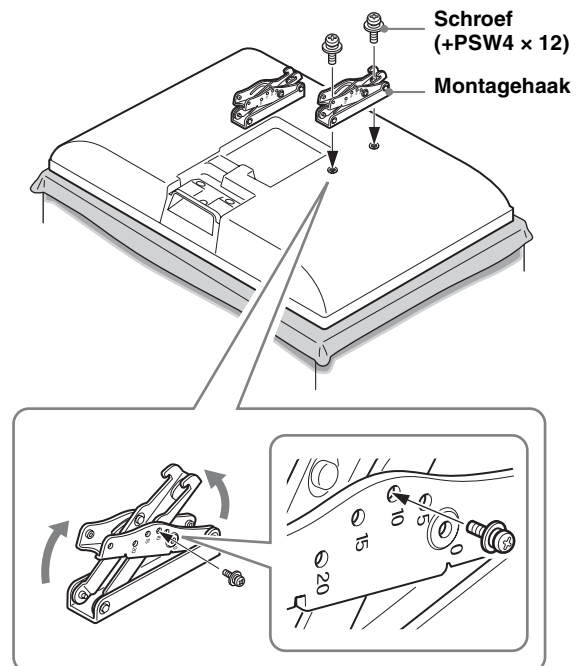
#### LET OP

Let erop dat uw vingers tijdens het aanpassen van de hoek van de montagehaak niet bekneld raken.

### 4 Maak de montagehaak vast rechts aan de achterkant van de tv.

- 1 Bevestig de montagehaak tijdelijk aan de achterkant van de tv met behulp van de twee bijgeleverde schroeven (+PSW4 x 12).
- 2 Zorg ervoor dat beide schroeven stevig zijn vastgedraaid met dezelfde wringkracht aan de achterkant van de tv.

Als u de linkerhoek van de montagehaak hebt aangepast, voer dan ook dezelfde aanpassing uit als in punt 3 van stap 5 "Pas de hoek van de montagehaak aan" voor de rechterhoek.



#### Opmerkingen

- Zorg ervoor dat de hoek van de rechter- en linkerarm gelijk is.
- Schroef de twee armsteunen stevig vast.

## Stap 6: De tv aan de muur vastmaken

Als u een tv wilt installeren die niet is vermeld op pagina 2, raadpleeg dan het informatievel "De wandmontagesteun installeren" dat bij uw tv is geleverd.

### WAARSCHUWING

Voltooi de installatie voordat u het netsnoer op de wandcontactdoos aansluit. Als u het netsnoer onder of tussen delen van de apparaten knelt, kan dit kortsluiting of een elektrische schok veroorzaken. Wees voorzichtig en struikel niet over het netsnoer of de tv, aangezien u zich zo kunt bezeren.

## 1 Sluit het netsnoer en de aansluitkabel(s) die bij uw tv zijn geleverd aan op de tv.

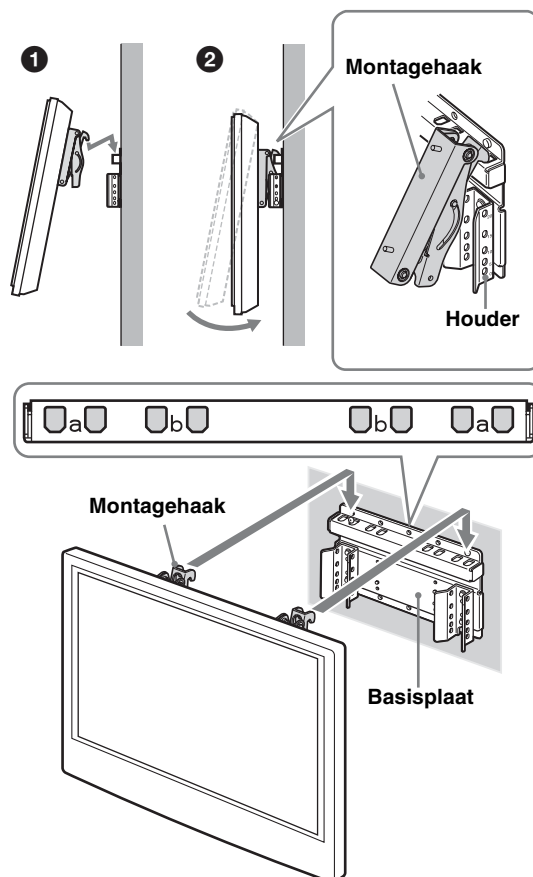
Sluit het netsnoer en de aansluitkabel(s) aan op de contrastekkers aan de achterkant van de tv. Raadpleeg de gebruiksaanwijzing van de tv voor meer informatie over aansluiting van het netsnoer en de aansluitkabel(s).

### Opmerkingen

- Nadat u de tv op de basisplaat heeft geïnstalleerd, kunt u de kabels niet meer op de tv aansluiten.
- Besteed de kabelgeleiding door de muur uit aan een aannemer met een vergunning.

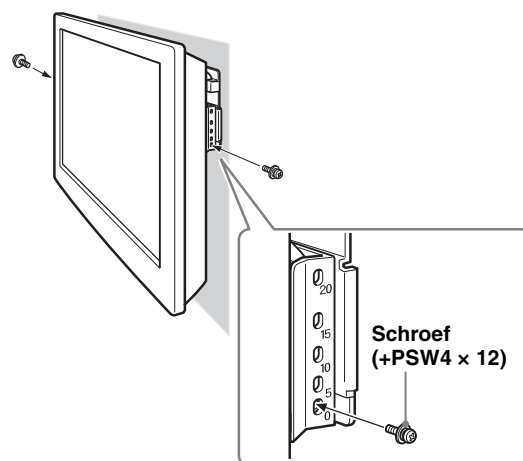
## 2 Installeer de tv op de basisplaat.

- 1 Raadpleeg het schema/tabel haaklocaties op pagina 13 en bepaal de gaten van de basisplaat om de bovenste haken van de montagehaak vast te klikken.
- 2 Houd de tv stevig vast met beide handen en zorg er voorzichtig voor dat hij waterpas hangt.



## 3 Bevestig de tv en de basisplaat stevig met behulp van de twee bijgeleverde schroeven (+PSW4 x 12).

Maak de schroef vast op dezelfde hoekmarkering die u in punt 3 van stap 5 gebruikte.



### Opmerking

Als u een elektrische schroevendraaier gebruikt, stel dan het draaimoment in op ongeveer 1,5 N·m { 15 kgf·cm }.

### WAARSCHUWING

Draai de linker en rechter bevestigingsschroeven stevig vast. Als u dit niet doet, kan de tv vallen wanneer hij omhoog wordt geduwd, wat letsel tot gevolg kan hebben.

## Voltooiing van de installatie controleren

### Controleer de volgende punten.

- De haken van de montagehaak zijn stevig vastgeklikt in de gaten van de basisplaat.
- Het snoer en de kabel zijn niet ineengedraaid en zitten niet bekneld.
- De twee schroeven die de montagehaak en de basisplaat bevestigen zijn stevig vastgedraaid.

#### WAARSCHUWING

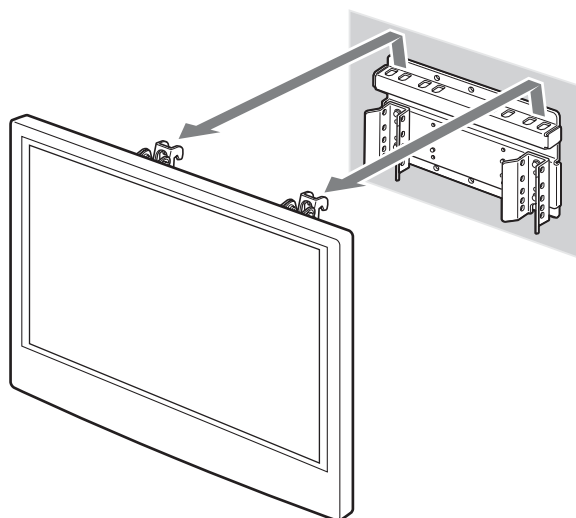
Pas de hoek van de montagehaak niet aan wanneer de tv aan de muur is vastgemaakt en zorg ervoor dat u alles volledig installeert. Onvolledige installatie kan ervoor zorgen dat het product valt en kan leiden tot verwondingen of beschadiging van het product. Ook kan onjuiste plaatsing van het netsnoer, enz. brand of een elektrische schok door kortsluiting veroorzaken. Controleer de voltooiing van de installatie om veiligheidsredenen.

## De tv verwijderen

### Voor Sony-handelaars

- 1 Haal het netsnoer uit de wandcontactdoos.**
- 2 Verwijder de twee schroeven die de tv en de basisplaat bevestigen. (Raadpleeg punt 3 van stap 6 op pagina 10 voor de posities van de schroeven.)**

- 3 Houd de tv vast en schuif hem omhoog om hem te verwijderen.**

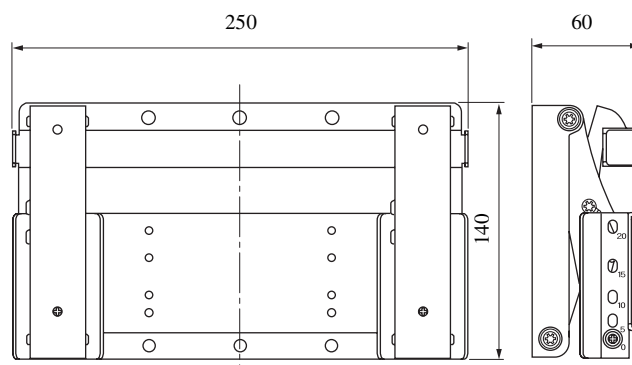


#### LET OP

- Let erop dat snoeren en kabels niet geklemd komen te zitten tijdens het verwijderen van de tv.
- Pas op dat u uw handen of vingers niet bezeert tijdens het verwijderen van de tv.

## Specificaties

Eenheid: mm  
Gewicht: 1,2 kg

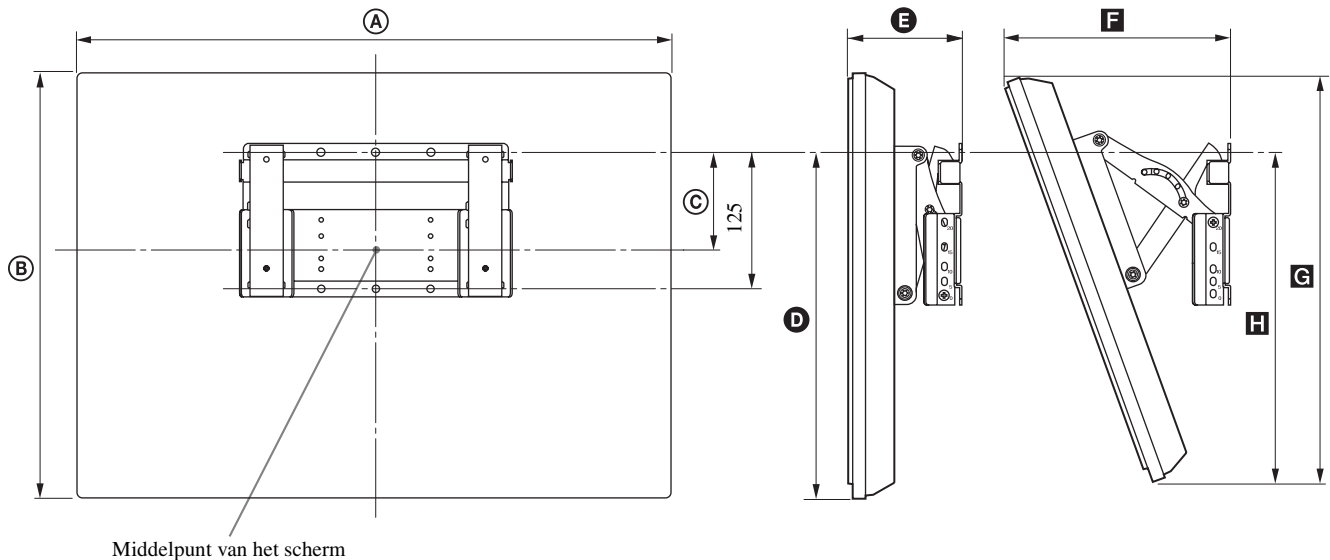


Ontwerp en specificaties zijn onderhevig aan wijzigingen zonder voorafgaande kennisgeving.

# Maattabel voor installatie van de tv

In onderstaande tabel vindt u de afmetingen van de tv die wordt gemonteerd op dit product. Raadpleeg deze tabel om de installatieplek te bepalen.

Als u een tv wilt installeren die hieronder niet is vermeld, raadpleeg dan het informatieveel "De wandmontagesteun installeren" dat bij uw tv is geleverd.



Eenheid: mm

Modelnaam	Afmetingen van de tv		Afmeting midden van het scherm	Omvang van elke montagehoek				
				Hoek (0°)		Hoek (20°)		
	A	B	C	D	E	F	G	H
<b>KDL-26S30xx */KLV-26V300A</b>	656	452	107	355	156	256	443	358

Sommige modellen zijn mogelijk niet beschikbaar in bepaalde regio's.  
De cijfers in bovenstaande tabel kunnen licht variëren afhankelijk van de installatie.

\* In de werkelijke modelnamen staan in plaats van "xx" nummers en/of letters die voor elk model anders zijn.

## Opmerking

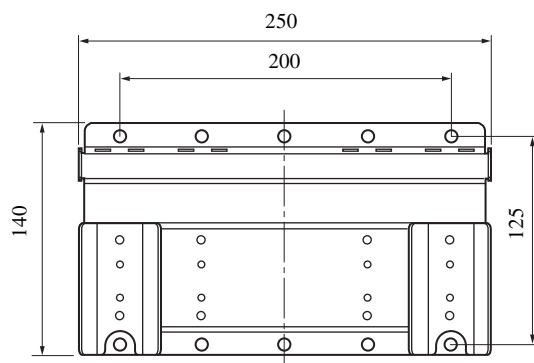
Voor het Europese model KDL-26S30xx kijken de afmetingen af van die in de bovenstaande tabel worden weergegeven. Raadpleeg de gebruiksaanwijzing van de TV.

## WAARSCHUWING

De muur waaraan de tv wordt geïnstalleerd, moet geschikt zijn om ten minste viermaal het gewicht van de tv te dragen. Raadpleeg de instructies van uw tv voor het gewicht.

# Maatschema voor wandmontage

Eenheid: mm

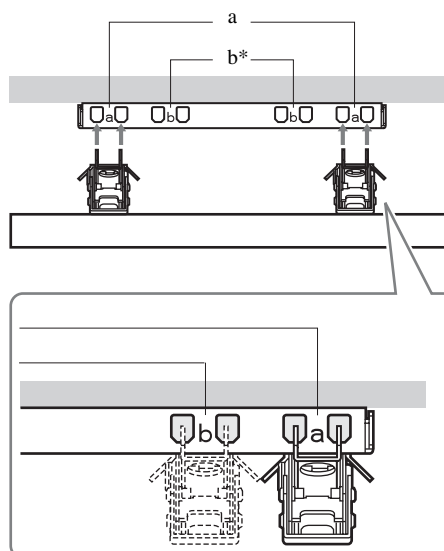


## Schema/tabel haaklocaties

Modelnaam	Plaats haak
KDL-26S30xx * KLV-26V300A	a

Sommige modellen zijn mogelijk niet beschikbaar in bepaalde regio's.

\* In de werkelijke modelnamen staan in plaats van "xx" nummers en/of letters die voor elk model anders zijn.



\* Haakpositie "b" kan niet worden gebruikt voor de modellen in de tabel aan de linkerzijde.

## Complimenti per l'acquisto del presente prodotto.

### Per i clienti

Per l'installazione del presente prodotto, è necessario disporre di sufficiente competenza. Si raccomanda di fare eseguire l'installazione a installatori Sony o installatori autorizzati, e di prestare particolare attenzione alla sicurezza durante l'installazione. Sony non può essere ritenuta responsabile per eventuali danni o ferite risultanti da un uso errato o un'installazione non adeguata o dall'installazione di prodotti diversi da quello specificato. I diritti legali del cliente, se previsti, non vengono violati.

## ATTENZIONE

In caso di inosservanza delle precauzioni di sicurezza o di uso errato del prodotto, è possibile che si verifichino ferite gravi o incendi.

Nel presente manuale di istruzioni vengono descritte importanti precauzioni necessarie per garantire il corretto uso del prodotto e per evitare incidenti. Leggere attentamente il presente manuale e utilizzare il prodotto in modo corretto. Assicurarsi di conservare il presente manuale per riferimenti futuri.

### Per gli installatori Sony

Per l'installazione del presente prodotto, è necessario disporre di sufficiente competenza. Leggere con attenzione il presente manuale delle istruzioni per garantire la sicurezza durante l'installazione. Sony non può essere ritenuta responsabile per eventuali danni o ferite risultanti da un uso errato o un'installazione non adeguata. Dopo avere completato l'installazione, consegnare il presente manuale al cliente.

## Informazioni sulla sicurezza

Sebbene i prodotti Sony siano progettati per essere sicuri, è possibile che se il prodotto viene utilizzato in modo errato si verifichino ferite gravi dovute a incendi, scosse elettriche, al capovolgimento o alla caduta del prodotto stesso. Onde evitare tali incidenti, assicurarsi di osservare le appropriate precauzioni per la sicurezza.

## AVVERTIMENTO

### Prodotto specificato

**I seguenti prodotti sono soggetti a modifiche senza preavviso e potrebbero esaurirsi o andare fuori produzione.**

**Inoltre alcuni modelli sono commercializzati solo in alcuni Paesi.**

TV color LCD	KDL-26S30xx * KLV-26V300A
--------------	------------------------------

\* Nei nomi dei modelli, "xx" indica numeri e/o caratteri utilizzati per designare i singoli modelli.

La staffa di montaggio a parete è destinata all'uso con i prodotti specificati sopra.

Per altri televisori, far riferimento alle relative istruzioni per l'uso e verificare se è possibile utilizzare questa staffa di montaggio a parete.

Insieme ad alcuni televisori viene fornito un opuscolo nel quale si spiega come installare la staffa di montaggio a parete ("Installazione della staffa di montaggio a parete").



## ATTENZIONE

Se le precauzioni riportate di seguito non vengono rispettate, è possibile procurarsi ferite gravi o mortali a causa di incendi, scosse elettriche o in seguito al capovolgimento o alla caduta del prodotto.

### Assicurarsi che l'installazione venga eseguita da personale autorizzato e tenere lontani i bambini durante le operazioni.

Se la staffa di montaggio a parete o il televisore non vengono installati correttamente, potrebbero verificarsi gli incidenti indicati di seguito. Accertarsi che l'installazione venga eseguita da personale autorizzato.



- Il televisore potrebbe cadere e provocare lesioni gravi quali contusioni o fratture.
- Se la parete sulla quale viene installata la staffa di montaggio a parete è instabile, irregolare o non perpendicolare al pavimento, è possibile che l'apparecchio cada e provochi ferite o danni a oggetti. La parete deve essere in grado di sostenere un peso almeno quattro volte superiore a quello del televisore. (Per il peso del televisore, fare riferimento alle relative istruzioni.)
- Se la staffa di montaggio a parete non viene installata alla parete in modo sufficientemente saldo, è possibile che l'apparecchio cada e provochi ferite o danni a oggetti.

### In caso di spostamento e smontaggio del televisore, assicurarsi che l'operazione venga eseguita da personale autorizzato.

Se trasportato o smontato da personale non autorizzato, il televisore potrebbe cadere e provocare ferite o danni a oggetti.

### Non versare liquidi di alcun tipo sul televisore.

Se il televisore dovesse bagnarsi, potrebbero generarsi incendi o scosse elettriche.

### Dopo aver completato il montaggio del televisore, non rimuovere le viti, né altri elementi simili.

Diversamente, è possibile che il televisore cada e provochi ferite o danni a oggetti.

### Non smontare né modificare i componenti della staffa di montaggio a parete.

Diversamente, è possibile che la staffa di montaggio a parete cada e provochi ferite o danni a oggetti.

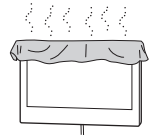


### Non montare apparecchi diversi dal prodotto specificato.

La presente staffa di montaggio a parete è stata progettata esclusivamente per l'uso con il prodotto specificato. Se vengono montati apparecchi diversi dal prodotto specificato, è possibile che cadano o si rompano e provochino ferite o danni a oggetti.

### Non ostruire le prese di ventilazione del televisore.

Se le prese di ventilazione vengono coperte (con un panno o simili), è possibile che l'apparecchio si surriscaldi e che si generino incendi.



### Non applicare alla staffa di montaggio a parete una pressione diversa da quella del televisore.

Diversamente, è possibile che il televisore cada e provochi ferite o danni a oggetti.



### Non appoggiarsi né aggrapparsi al televisore.

Non appoggiarsi né aggrapparsi al televisore. Diversamente, è possibile che l'apparecchio cada e provochi ferite gravi.



### Non esporre il televisore alla pioggia o all'umidità.

Diversamente, è possibile che si generino incendi o scosse elettriche.

### Non collocare il televisore in luoghi caldi, umidi o eccessivamente polverosi, né in luoghi in cui potrebbe risultare esposto a vibrazioni meccaniche.

Diversamente, è possibile che si generino incendi o scosse elettriche.

### Tenere il televisore lontano da oggetti infiammabili o fiamme libere, quali candele o simili.

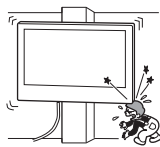
Per evitare incendi, tenere il televisore lontano da oggetti infiammabili o fiamme libere, quali candele o simili.

## AVVERTIMENTO

In caso di inosservanza delle seguenti precauzioni, potrebbero verificarsi ferite o danni a oggetti.

### Non installare la staffa di montaggio a parete su superfici dalle quali gli angoli o i lati del televisore potrebbero sporgere.

Non installare la staffa di montaggio a parete su superfici, quali ad esempio colonne, dalle quali gli angoli o i lati del televisore potrebbero sporgere. Se una persona o un oggetto dovessero urtare l'angolo o il lato sporgente del televisore, potrebbero verificarsi ferite o danni a oggetti.



### Non esercitare una pressione eccessiva sul prodotto durante le operazioni di pulizia e manutenzione.

Non applicare una pressione eccessiva sulla parte superiore del televisore. Diversamente, è possibile che il televisore cada e provochi ferite o danni a oggetti.

### Non installare il televisore sopra o sotto un condizionatore d'aria.

Se il televisore risulta essere esposto a perdite d'acqua o correnti d'aria provenienti dal condizionatore per un periodo di tempo prolungato, è possibile che si generino incendi, scosse elettriche o problemi di funzionamento dell'apparecchio stesso.

## Precauzioni

- A seconda del materiale della parete, l'uso prolungato del televisore installato sulla staffa di montaggio a parete potrebbe causare lo scolorimento della parete dietro o al di sopra dell'apparecchio oppure lo scollamento della carta da parati.
- Se, dopo l'installazione, la staffa di montaggio a parete viene rimossa, sulla parete rimangono i fori delle viti.
- Se nella parete sono stati fatti passare cavi di alimentazione da 300 ohm, si consiglia di sostituirli con cavi coassiali da 75 ohm. Se è necessario continuare ad utilizzare cavi di alimentazione da 300 ohm, prima di procedere all'installazione assicurarsi di verificare che vi sia spazio sufficiente tra il televisore e il cavo di alimentazione nella parete. Prima dell'installazione, rivolgersi a un installatore autorizzato per informazioni sul luogo di installazione appropriato, dove il televisore o il monitor non sia soggetto a disturbi radio e problemi simili.

## Installazione della staffa di montaggio a parete

Per gli installatori Sony

### ATTENZIONE

#### Per i clienti

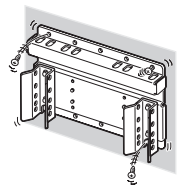
Per l'installazione del presente prodotto, è necessario disporre di sufficiente competenza. Si raccomanda di fare eseguire l'installazione a installatori Sony o installatori autorizzati, e di prestare particolare attenzione alla sicurezza durante l'installazione.

#### Per gli installatori Sony

Le seguenti istruzioni sono rivolte esclusivamente agli installatori Sony. Assicurarsi di leggere le precauzioni per la sicurezza di cui sopra e prestare particolare attenzione durante l'installazione, la manutenzione e i controlli del presente prodotto.

### Assicurarsi di installare la staffa di montaggio a parete in modo saldo seguendo le istruzioni riportate nel presente manuale.

Se le viti non sono serrate in modo saldo o fuoriescono, è possibile che la staffa di montaggio a parete cada e provochi ferite o danni a oggetti. Assicurarsi di utilizzare le viti appropriate al materiale della parete e di installare l'apparecchio in modo saldo, utilizzando almeno quattro viti del diametro di 6 mm (o di un tipo equivalente).



**Assicurarsi di utilizzare le viti e le parti di montaggio in dotazione in modo appropriato seguendo le istruzioni riportate nel presente manuale. Se vengono utilizzati accessori diversi, è possibile che il televisore cada danneggiandosi o provocando ferite a persone.**

### Assicurarsi di montare la staffa in modo corretto seguendo la procedura descritta nel presente manuale delle istruzioni.

Se le viti non sono serrate in modo saldo o fuoriescono, è possibile che il televisore cada danneggiandosi o provocando ferite a persone.

## Stringere le viti in modo saldo nella posizione corretta.

Diversamente, è possibile che il televisore cada danneggiandosi o provocando ferite a persone.

## Durante l'installazione, prestare attenzione a non sottoporre il televisore ad urti.

Se il televisore viene sottoposto ad urti, è possibile che cada o si rompa, provocando ferite a persone.

## Assicurarsi di installare il televisore ad una parete perpendicolare al pavimento e piatta.

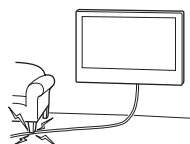
Diversamente, è possibile che il televisore cada e provochi ferite a persone.

## Dopo aver installato correttamente il televisore, fissare i cavi in modo saldo.

Se i cavi dovessero costituire un ostacolo per le persone o gli oggetti, potrebbero verificarsi ferite o danni.

## Prestare attenzione affinché il cavo di alimentazione CA o il cavo di collegamento non rimangano incastrati.

Se il cavo di alimentazione CA o il cavo di collegamento rimangono incastrati tra l'apparecchio e la parete o vengono attorcigliati forzatamente, è possibile che i conduttori interni restino scoperti provocando cortocircuiti o rotture nel cavo stesso. Ciò potrebbe causare incendi o scosse elettriche.



## Durante l'installazione, prestare attenzione a non ferirsi le mani o le dita.

Durante l'installazione della staffa di montaggio a parete o del televisore, prestare attenzione a non ferirsi le mani o le dita.

## Le viti necessarie per fissare la staffa di montaggio alla parete non sono in dotazione.

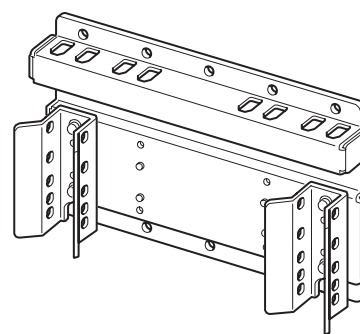
Utilizzare viti appropriate al materiale e alla struttura della parete per il montaggio della staffa.

### Prima dell'installazione

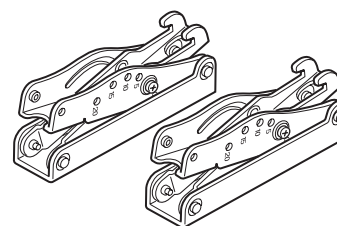
Se si desidera installare un televisore non specificato a pagina 2, consultare l'opuscolo "Installazione della staffa di montaggio a parete" in dotazione con il televisore.

## Punto 1: Verifica dei componenti necessari all'installazione

- 1 Procurarsi almeno quattro viti del diametro di 6 mm o di tipo equivalente (non in dotazione) e un cacciavite. Utilizzare viti adatte al materiale della parete.
- 2 Aprire la confezione e verificare i componenti.



Piastra base (1)



Supporto di montaggio (2)



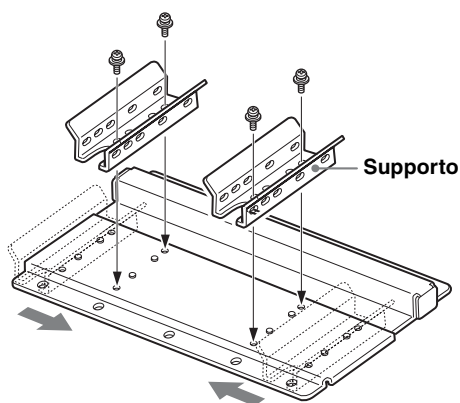
Vite (+PSW4 x 12) (6)

## Punto 2: Regolazione della posizione dei supporti della piastra base

1

Formato schermo del televisore	Eeguire quanto segue
26 pollici	Questa procedura non è necessaria.
20 pollici	Seguire questa procedura.
Altro	Consultare il documento in dotazione con il televisore.

- 1 Rimuovere le viti che fissano i supporti destro e sinistro alla piastra base e spostare i supporti nella posizione interna.
- 2 Fissare saldamente ogni supporto utilizzando le viti rimosse secondo la procedura indicata in precedenza 1.



### Note

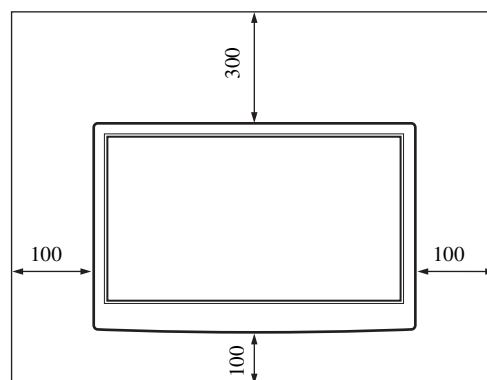
- Se si utilizza un cacciavite elettrico, la coppia deve essere pari a circa 1,5 N·m {15 kgf·cm}.
- Accertarsi che le quattro viti che fissano la piastra base e i supporti siano serrati in modo saldo.

## Punto 3: Individuazione del luogo di installazione

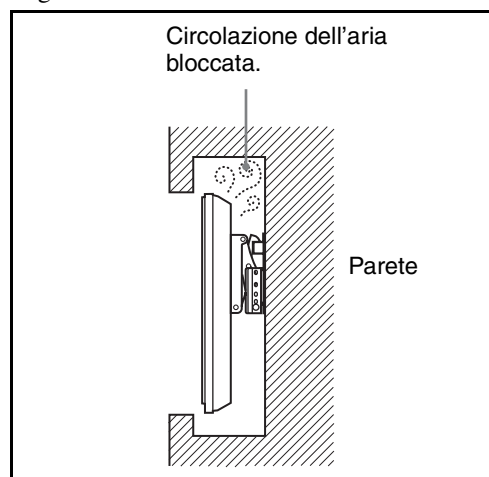
### 1 Stabilire il luogo di installazione consultando la tabella delle dimensioni per l'installazione del televisore a pagina 12.

Assicurarsi che la distanza tra il televisore e il soffitto e le parti sporgenti della parete corrisponda a quanto indicato di seguito.

Unità di misura: mm



Non installare il televisore come illustrato di seguito:



### Nota

Se si desidera far scorrere i cavi nella parete, praticare un foro nella parete per inserire i cavi prima di iniziare l'installazione.

## 2 Determinare la posizione delle viti per l'installazione della piastra base facendo riferimento al diagramma delle dimensioni per il montaggio a parete a pagina 13.

### ATTENZIONE

La parete sulla quale verrà installato il televisore deve essere in grado di sostenere un peso pari ad almeno **quattro volte** il peso del televisore stesso (Per il peso del televisore, fare riferimento alle relative istruzioni.).

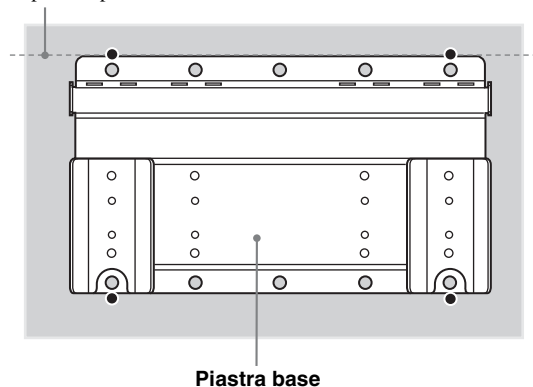
Verificare la resistenza della parete sulla quale verrà installato il televisore. Se necessario, rinforzare la parete in modo adeguato.

## Punto 4: Installazione della piastra base sulla parete

### 1 Fissare la piastra base alla parete utilizzando almeno quattro viti del diametro di 6 mm o di un tipo equivalente (non in dotazione).

Scegliere quattro fori per le viti con il simbolo ● indicato nello schema sottostante, quindi fissare le viti in modo saldo affinché non si allentino.

Allineare l'apparecchio in posizione parallela rispetto al pavimento.



### ATTENZIONE

- Le viti necessarie per questa procedura non sono in dotazione. Utilizzare viti appropriate in base al materiale e alla struttura della parete.
- Se la piastra base non può essere fissata in modo sufficientemente saldo, utilizzare delle viti supplementari.
- Verificare che la piastra base sia fissata alla parete in modo saldo.

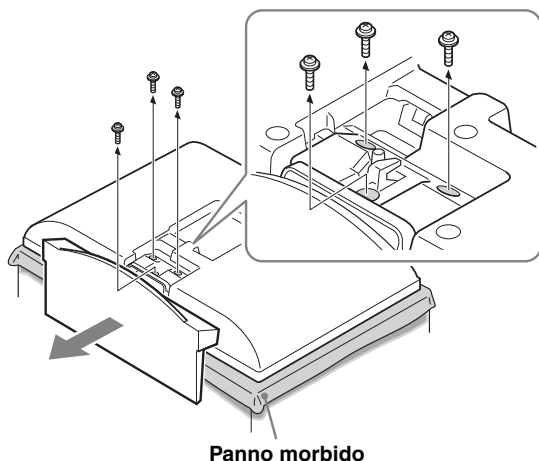
## Punto 5: Preparazione all'installazione del televisore

Se si desidera installare un televisore non specificato a pagina 2, consultare l'opuscolo "Installazione della staffa di montaggio a parete" in dotazione con il televisore.

### 1 Rimuovere le viti dalla parte posteriore del televisore. Staccare il supporto da tavolo dal televisore.

Posizionare il televisore su una superficie stabile con lo schermo rivolto verso il basso, appoggiandolo sopra un panno morbido.

**Per gli utenti dei seguenti televisori:**  
KDL-26S30xx \*/KLV-26V300A



\* Nei nomi dei modelli, "xx" indica numeri e/o caratteri utilizzati per designare i singoli modelli.

#### Note

- Durante la rimozione del supporto da tavolo dal televisore, posizionare il display rivolto verso il basso su una superficie stabile e più ampia rispetto al televisore.
- Per evitare danni alla superficie del display LCD, posizionare un panno morbido sulla superficie di lavoro.

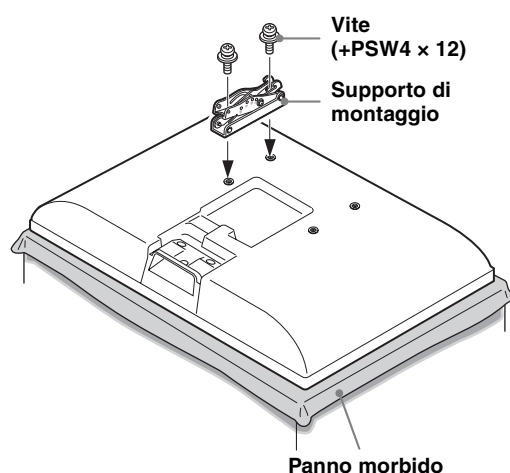
#### AVVERTIMENTO

- Se la superficie del televisore viene sottoposta a pressione eccessiva o ad urti, il display LCD potrebbe rompersi o danneggiarsi.
- Appoggiare il televisore, con il display rivolto in basso, su una superficie piana e stabile, in modo che il supporto da tavolo sporga oltre la superficie. La disposizione del display e della base del supporto da tavolo su uno stesso livello può provocare condizioni di lavoro instabili e danneggiare l'unità.
- Durante la rimozione del supporto da tavolo dal televisore, tenere il supporto saldamente con entrambe le mani.

Se si utilizza un cacciavite elettrico, la coppia deve essere pari a circa 1,5 N·m {15 kgf·cm}.  
Non sollevare il supporto di montaggio prima di aver fissato le viti (2 viti, rispettivamente per la parte sinistra e destra). Ciò potrebbe deformare il supporto di montaggio o l'apparecchio TV.

### 2 Fissare il supporto di montaggio dal lato sinistro della parte posteriore del televisore.

- 1 Fissare temporaneamente il supporto di montaggio sulla parte posteriore del televisore, utilizzando le due viti in dotazione (+PSW4 × 12).
- 2 Accertarsi che entrambe le viti siano state serrate saldamente con la stessa coppia alla parte posteriore del televisore.



#### Note

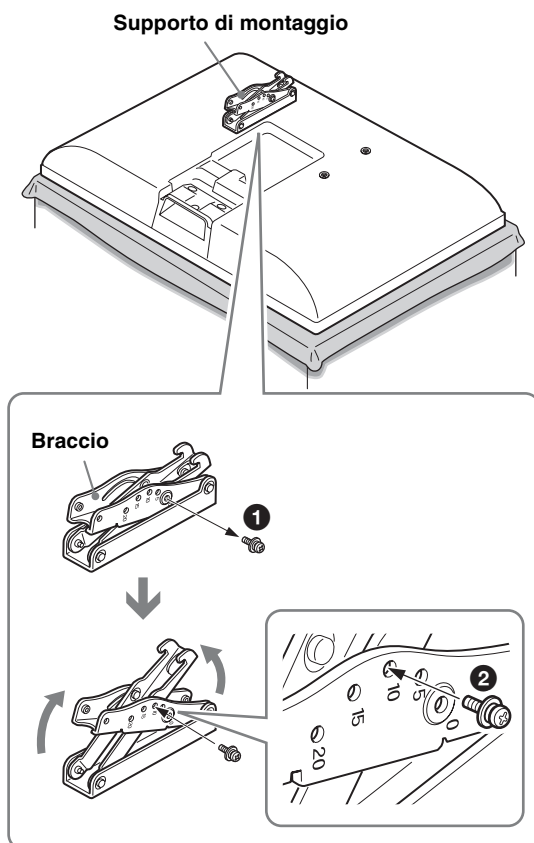
- Se si installa prima il supporto di montaggio destro, sarà poi difficile regolare l'angolazione. Installare prima il supporto di montaggio sinistro.
- Per fissare il supporto di montaggio, non utilizzare viti diverse da quelle in dotazione (+PSW4 × 12).



### 3 Regolare l'angolazione del supporto di montaggio.

Se il televisore viene installato in posizione parallela rispetto alla parete (0 gradi), non è necessario regolare l'angolazione del supporto di montaggio (procedure ❶ e ❷ di seguito).

- ❶ Rimuovere la vite di regolazione dell'angolazione dal braccio del supporto di montaggio. Scegliere le viti corrispondenti all'angolazione desiderata (5, 10, 15 o 20 gradi).
- ❷ Fissare saldamente il braccio utilizzando la vite rimossa secondo la procedura indicata in precedenza ❶.



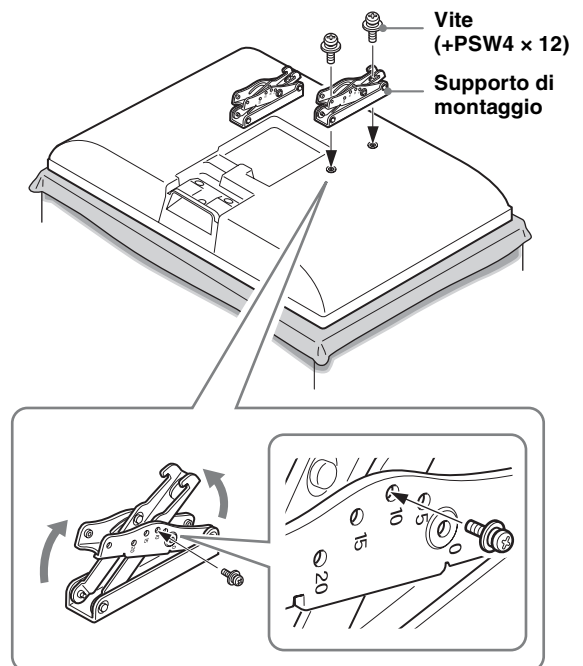
#### AVVERTIMENTO

Fare attenzione a non ferirsi le dita durante la regolazione dell'angolazione del supporto di montaggio.

### 4 Fissare il supporto di montaggio al lato destro della parte posteriore del televisore.

- ❶ Fissare temporaneamente il supporto di montaggio sulla parte posteriore del televisore, utilizzando le due viti in dotazione (+PSW4 x 12).
- ❷ Accertarsi che entrambe le viti siano state serrate saldamente con la stessa coppia alla parte posteriore del televisore.

Se è stato regolato l'angolo sinistro del supporto di montaggio, eseguire la stessa regolazione per l'angolo destro come descritto al paragrafo 3 del Punto 5 "Regolare l'angolazione del supporto di montaggio".



#### Note

- Assicurarsi di regolare i bracci destro e sinistro alla stessa angolazione.
- Assicurarsi che le due basi dei bracci siano fissate in modo saldo mediante viti.

## Punto 6: Installazione del televisore sulla parete

Se si desidera installare un televisore non specificato a pagina 2, consultare l'opuscolo "Installazione della staffa di montaggio a parete" in dotazione con il televisore.

### ATTENZIONE

Completare l'installazione prima di collegare il cavo di alimentazione CA alla presa di rete. Se il cavo di alimentazione CA rimane incastrato sotto o tra le parti dell'apparecchio, è possibile che si verifichino cortocircuiti o scosse elettriche.

Attenzione a non inciampare sul cavo di alimentazione CA o il televisore, poiché ci si potrebbe ferire.

## 1 Collegare al televisore il cavo di alimentazione CA e i cavi di collegamento in dotazione.

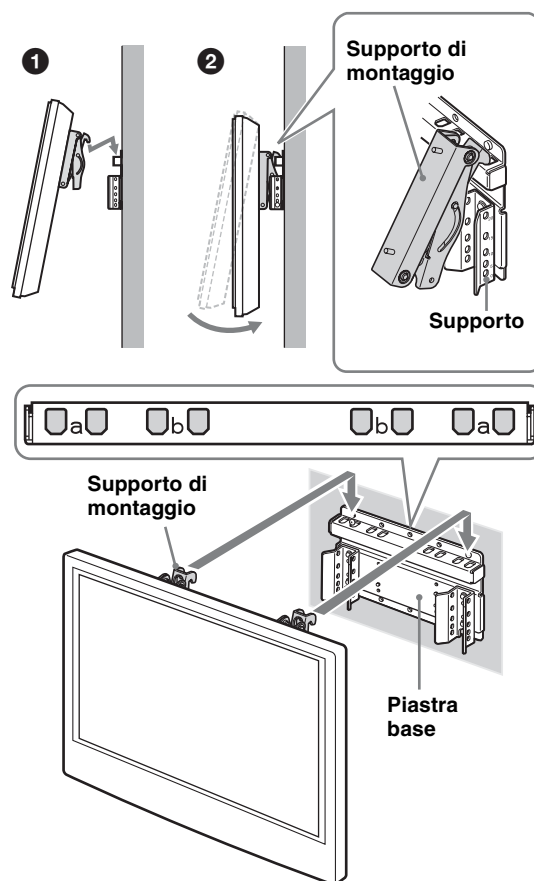
Collegare il cavo di alimentazione CA e i cavi di collegamento ai connettori presenti sulla parte posteriore del televisore. Per maggiori dettagli sul collegamento al televisore del cavo di alimentazione o dei cavi di collegamento, consultare il manuale di istruzioni del televisore.

### Note

- Dopo aver installato il televisore sulla piastra base, non è più possibile collegare i cavi al televisore.
- Far eseguire la posa dei cavi nella parete a un installatore autorizzato.

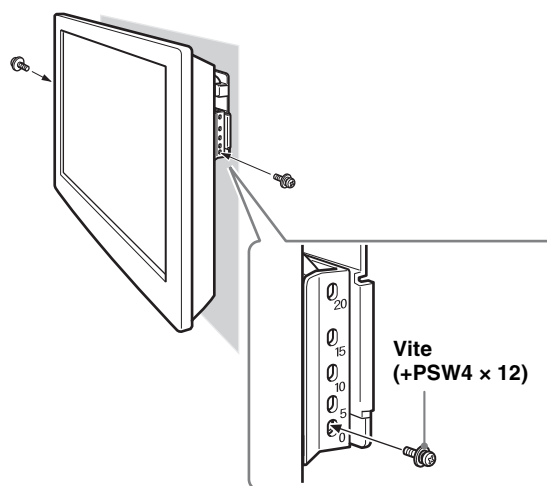
## 2 Installare il televisore sulla piastra base.

- 1 Facendo riferimento alla tabella/diagramma posizione supporto a pagina 13, scegliere i fori della piastra base da utilizzare per fissare i ganci superiori del supporto di montaggio.
- 2 Tenere il televisore saldamente con entrambe le mani e allinearli con cautela alla parete.



## 3 Fissare saldamente il televisore e la piastra base utilizzando le due viti in dotazione (+PSW4 x 12).

Fissare la vite nello stesso angolo la cui posizione è stata regolata secondo la procedura descritta al capitolo 3 del Punto 5.



### Nota

Se si utilizza un cacciavite elettrico, la coppia deve essere pari a circa 1,5 N·m { 15 kgf·cm }.

### ATTENZIONE

Serrare con cura entrambe le viti di fissaggio, a destra e a sinistra. Diversamente, è possibile che il televisore cada, se spinto verso l'alto, e provochi ferite a persone.



## Verifica del completamento dell'installazione

### Verificare quanto segue.

- I ganci del supporto di montaggio sono fissati saldamente ai fori nella piastra base.
- Il cavo di alimentazione e il cavo di collegamento non sono attorcigliati né incastrati.
- Le due viti di fissaggio del supporto di montaggio e della piastra base sono state serrate in modo saldo.

### ATTENZIONE

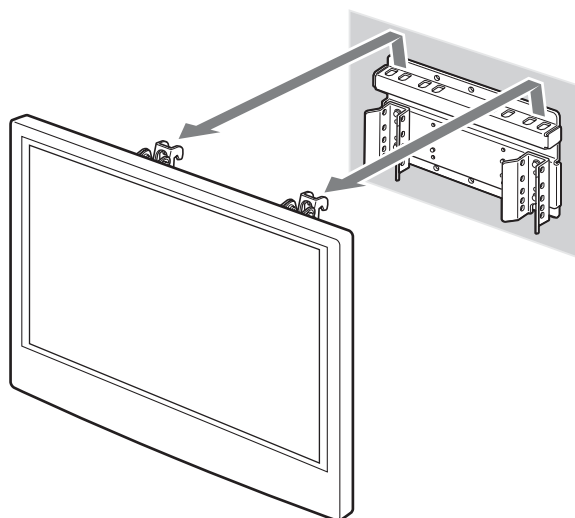
Non regolare l'angolazione del supporto di montaggio quando il televisore è installato alla parete e assicurarsi di effettuare l'installazione in modo completo. Se l'installazione non viene completata, il prodotto potrebbe cadere provocando danni o lesioni alle persone. Inoltre, il posizionamento inappropriato del cavo di alimentazione CA o di altri cavi potrebbe dar luogo a un cortocircuito, generando così incendi o scosse elettriche. Per motivi di sicurezza, si raccomanda di verificare che l'installazione sia stata completata.

## Rimozione del televisore

### Per gli installatori Sony

- 1 Scollegare il cavo di alimentazione CA dalla presa di rete.**
- 2 Rimuovere le due viti che fissano il televisore e la piastra base. (Fare riferimento al nr. 3 del Punto 6 a pagina 10 per la posizione delle viti.)**

### 3 Assicurarsi che il televisore venga sollevato e sganciato.



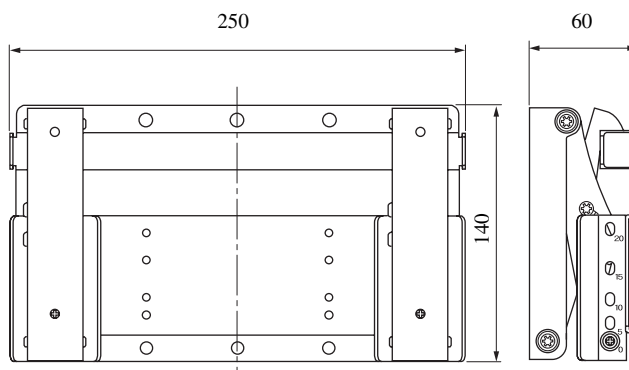
### AVVERTIMENTO

- Durante la rimozione del televisore, fare attenzione affinché i cavi non rimangano agganciati.
- Durante la rimozione del televisore, prestare attenzione a non ferirsi le mani o le dita.

## Caratteristiche tecniche

Unità di misura: mm

Peso: 1,2 kg

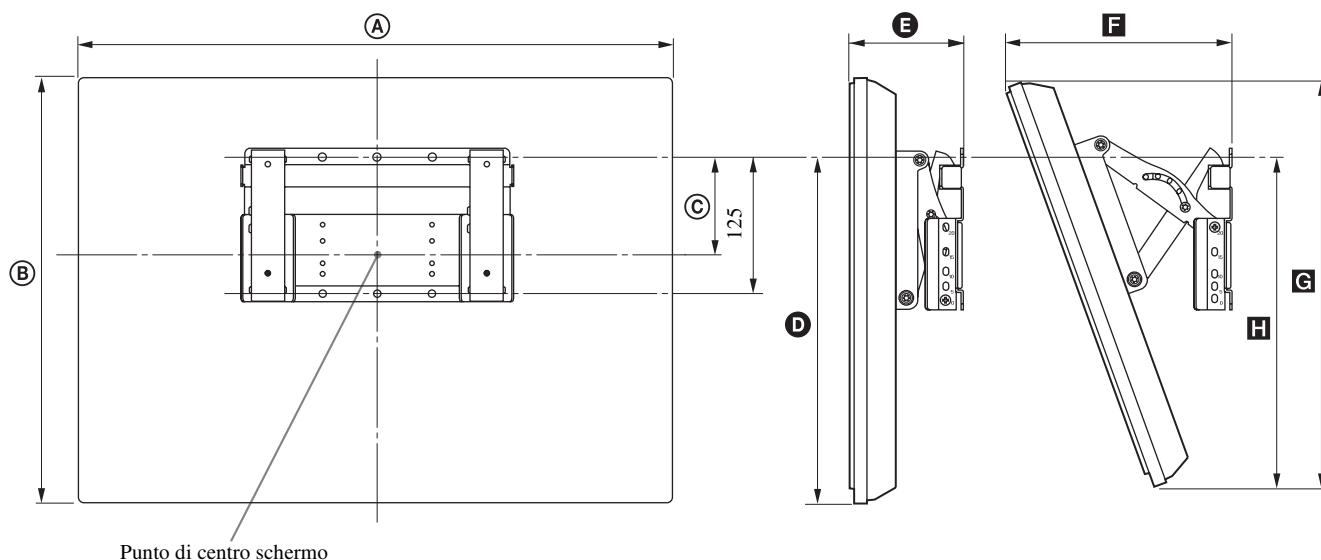


Le caratteristiche e le specifiche sono soggette a modifiche senza preavviso.

# Tabella delle dimensioni per l'installazione del televisore

La tabella sottostante mostra le dimensioni del televisore montato sul presente prodotto. Consultare questa tabella per stabilire il luogo di installazione.

Se si desidera installare un televisore non specificato sotto, consultare l'opuscolo "Installazione della staffa di montaggio a parete" in dotazione con il televisore.



Unità di misura: mm

Nome modello	Dimensioni dello schermo		Dimensioni di centro schermo	Lunghezza per ogni angolazione				
				Angolazione (0°)		Angolazione (20°)		
	A	B	C	D	E	F	G	H
KDL-26S30xx */KLV-26V300A	656	452	107	355	156	256	443	358

Alcuni modelli potrebbero non essere disponibili in determinate regioni.

Le cifre riportate in questa tabella potrebbero variare leggermente a seconda dell'installazione.

\* Nei nomi dei modelli, "xx" indica numeri e/o caratteri utilizzati per designare i singoli modelli.

## Nota

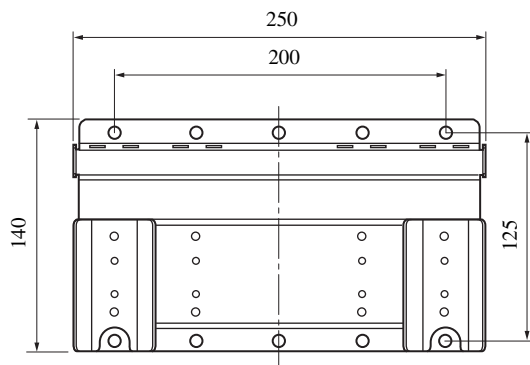
Le dimensioni del modello per l'Europa di KDL-26S30xx variano da quelle indicate nella tabella riportata di seguito. Consultare il documento in dotazione con il televisore.

## ATTENZIONE

La parete sulla quale verrà installato il televisore deve essere in grado di sostenere un peso pari ad almeno quattro volte il peso del televisore stesso. Per il peso del televisore, fare riferimento alle relative istruzioni.

# Diagramma delle dimensioni per il montaggio a parete

Unità di misura: mm

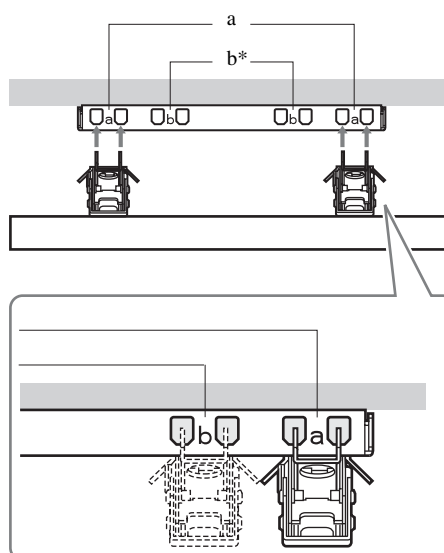


## Tabella/diagramma posizione supporto

Nome modello	Posizione dei ganci
KDL-26S30xx * KLV-26V300A	a

Alcuni modelli potrebbero non essere disponibili in determinate regioni.

\* Nei nomi dei modelli, "xx" indica numeri e/o caratteri utilizzati per designare i singoli modelli.



\* Non è possibile utilizzare la posizione "b" dei ganci per i modelli indicati nella tabella a sinistra.

## Obrigado por ter adquirido este produto.

### Para os clientes

É necessária uma formação técnica adequada para instalar este produto. Certifique-se de que a instalação é efectuada por agentes da Sony ou agentes autorizados e tenha em atenção a segurança durante a instalação. A Sony não se responsabiliza por quaisquer danos ou ferimentos causados pela utilização indevida ou instalação incorrecta, nem pela instalação de um produto diferente do produto especificado. Os seus Direitos Estatutários (se existirem) não são afectados.

## AVISO

O não cumprimento das precauções de segurança ou a utilização incorrecta do produto pode provocar ferimentos graves ou um incêndio.

Este manual de instruções descreve as precauções importantes necessárias para evitar acidentes e utilizar o produto de forma correcta. Leia-o na íntegra e utilize o produto correctamente. Guarde este manual para futuras consultas.

### Para os agentes da Sony

É necessária uma formação técnica adequada para instalar este produto. Leia atentamente este manual de instruções para efectuar a instalação com segurança. A Sony não se responsabiliza por quaisquer danos ou ferimentos causados pela utilização indevida ou instalação incorrecta. Após a instalação, entregue este manual de instruções ao cliente.

## Segurança

Os produtos da Sony são concebidos para oferecer a máxima segurança. No entanto, se utilizados de forma incorrecta, podem provocar ferimentos graves através de incêndio, choque eléctrico ou queda. Para evitar esse tipo de acidentes, respeite as precauções de segurança.

## ATENÇÃO

### Produtos especificados

**Os seguintes produtos estão sujeitos a alterações sem aviso prévio, a não estarem em stock ou ter deixado de ser fabricados.**

**Além disso, alguns modelos não são vendidos em algumas regiões.**

Televisor a Cores de LCD	KDL-26S30xx * KLV-26V300A
--------------------------	------------------------------

\* Nos nomes de modelos actuais, o “xx” indica números e/ou caracteres específicos a cada modelo.

Este Suporte de Montagem na Parede foi concebido para ser utilizado com os produtos especificados em cima.

Para outros televisores, consulte as instruções de funcionamento para verificar se este Suporte de Montagem na Parede pode ser utilizado.

Alguns televisores são fornecidos com um folheto a explicar o processo de instalação do Suporte de Montagem na Parede (“Instalar o Suporte de Montagem na Parede”).

## Para os clientes

### AVISO

O não cumprimento das precauções indicadas abaixo, pode provocar a morte ou ferimentos graves em caso de incêndio, choque eléctrico ou queda do produto.

### A instalação deve ser efectuada por agentes autorizados e mantenha as crianças afastadas do local durante a instalação.

Se o Suporte de Montagem na Parede ou o televisor não for instalado correctamente, podem ocorrer os seguintes acidentes. Certifique-se de que a instalação é efectuada por agentes autorizados.



- O televisor pode cair e provocar ferimentos graves, como equimoses ou fracturas.
- Se a parede onde o Suporte de Montagem na Parede está instalado for instável, irregular ou não estiver perpendicular ao chão, o aparelho pode cair e provocar ferimentos ou danos materiais. A parede deve ser suficientemente forte para suportar um peso, pelo menos, quatro vezes superior ao do televisor. (Consulte as instruções do televisor quanto ao respectivo peso.)
- Se a instalação do Suporte de Montagem na Parede não for suficientemente sólida, o aparelho pode cair e provocar ferimentos ou danos materiais.

### Contrate agentes autorizados para o transporte e desmontagem do televisor.

Se o transporte ou montagem for feito por pessoas que não os agentes autorizados, o televisor pode cair e provocar ferimentos ou danos materiais.

### Não entorne líquidos de qualquer tipo sobre o televisor.

Se molhar o televisor, pode provocar um incêndio ou choque eléctrico.

### Não retire os parafusos, etc., após a montagem do televisor.

Se o fizer, o televisor pode cair e provocar ferimentos ou danos materiais.

### Não desmonte nem faça quaisquer alterações nas peças do Suporte de Montagem na Parede.

Se o fizer, o Suporte de Montagem na Parede pode cair e provocar ferimentos ou danos materiais.

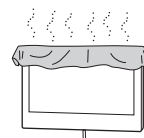


### Não instale um equipamento diferente do especificado no suporte.

Este Suporte de Montagem na Parede foi concebido para ser utilizado apenas com o produto especificado. A instalação de qualquer outro equipamento pode resultar em queda ou quebra e provocar danos materiais ou ferimentos.

### Não tape as aberturas de ventilação do televisor.

Se tapar as aberturas de ventilação (com um pano, etc.), o televisor pode sobreaquecer e incendiar-se.



### Não coloque nenhuma carga para além do televisor no Suporte de Montagem na Parede.

Se o fizer, o televisor pode cair e provocar ferimentos ou danos materiais.



### Não se encoste nem se pendure no televisor.

Não se encoste nem se pendure no televisor, pois este pode cair e provocar ferimentos graves.



### Não exponha o televisor à chuva ou humidade.

Pode provocar um incêndio ou choque eléctrico.

### Nunca coloque o televisor em locais quentes, húmidos ou com muito pó, ou num local em que esteja sujeito a vibrações mecânicas.

Se o fizer, pode provocar um incêndio ou um choque eléctrico.

### Mantenha o televisor afastado de objectos inflamáveis ou chamas (por exemplo, velas).

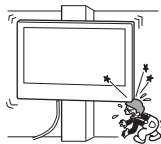
Para evitar um incêndio, mantenha o televisor afastado de objectos inflamáveis ou chamas (por exemplo, velas).

## ATENÇÃO

Se não respeitar as precauções a seguir indicadas, pode ferir-se ou provocar danos materiais.

### Não instale o Suporte de Montagem na Parede em superfícies em que os cantos ou os lados do televisor fiquem afastados da parede.

Não instale o Suporte de Montagem na Parede em superfícies, tais como colunas em que os cantos ou os lados do televisor fiquem afastados da parede. Se uma pessoa ou objecto embaterem no canto ou lado saliente do televisor, isso pode provocar ferimentos ou danos materiais.



### Não faça demasiada força durante a limpeza ou manutenção do produto.

Não faça demasiada força na parte superior do televisor. Se o fizer, o televisor pode cair e provocar ferimentos ou danos materiais.

### Não instale o televisor por cima ou por baixo de um aparelho de ar condicionado.

Se o televisor ficar exposto a fugas de água ou correntes de ar do aparelho de ar condicionado durante muito tempo, pode ocorrer um incêndio, um choque eléctrico ou uma avaria.

## Precauções

- Se utilizar o televisor instalado no Suporte de Montagem na Parede durante muito tempo, a parede por trás ou por cima do televisor pode perder a cor e o papel de parede pode descolar-se, dependendo do material da parede.
- Se retirar o Suporte de Montagem na Parede depois de o instalar, os orifícios do parafuso ficam na parede.
- Se tiver feito passar cabos de alimentação de 300 ohms por trás da parede, substitua-os por cabos coaxiais de 75 ohms. Se for necessário continuar a utilizar cabos de alimentação de 300 ohms, antes de proceder à instalação, verifique se existe espaço livre suficiente entre o televisor e os cabos de alimentação por trás da parede. Consulte os agentes autorizados para saber quais os locais apropriados (sem interferências radioeléctricas, etc.) antes da instalação.

## Instalar o Suporte de Montagem na Parede

### Para os Agentes da Sony

#### AVISO

##### Para os clientes

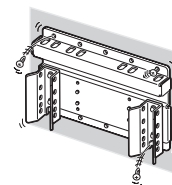
É necessária uma formação técnica adequada para instalar este produto. Certifique-se de que a instalação é efectuada por agentes da Sony ou agentes autorizados e tenha em atenção a segurança durante a instalação.

##### Para os Agentes da Sony

As seguintes instruções destinam-se apenas aos agentes da Sony. Leia as precauções de segurança na íntegra e preste muita atenção às medidas de segurança que é preciso respeitar durante a instalação, manutenção e verificação deste produto.

### Instale o Suporte de Montagem na Parede com segurança seguindo as indicações deste manual de instruções.

Se algum dos parafusos estiver solto ou cair, o suporte para montagem na parede pode cair e provocar ferimentos ou danos materiais. Utilize os parafusos adequados ao material de que é feita a parede e fixe bem o suporte com quatro ou mais parafusos de 6 mm de diâmetro (ou equivalentes).



**Utilize os parafusos e os acessórios fornecidos conforme as indicações deste manual de instruções. Se utilizar outros acessórios, o televisor pode cair e provocar ferimentos a alguém ou danos materiais no próprio televisor.**

### Monte o suporte correctamente, seguindo o procedimento explicado neste manual de instruções.

Se um dos parafusos se soltar ou cair, o televisor pode cair e provocar ferimentos a alguém ou danos materiais no televisor.

## Aperte bem os parafusos na posição correcta.

Se não o fizer, o televisor pode cair e provocar ferimentos a alguém ou danos materiais no próprio televisor.

## Não submeta o televisor a choques durante a instalação.

Se o televisor sofrer choques fortes, pode cair ou partir-se. O que pode provocar ferimentos.

## Instale o televisor numa parede perpendicular e plana.

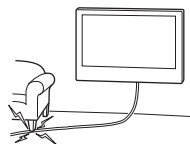
Se não o fizer, o televisor pode cair e provocar ferimentos.

## Depois de instalar correctamente o televisor, fixe bem os cabos.

Se as pessoas ou objectos ficarem emaranhados nos cabos, podem ferir-se ou danificar o televisor.

## Não deixe o cabo de alimentação nem o cabo de ligação ficarem trilhados.

Se o cabo de alimentação ou o cabo de ligação ficar trilhado entre o aparelho e a parede ou se os dobrar ou torcer à força, os condutores internos podem ficar à vista e provocar um curto-circuito ou a quebra do cabo eléctrico. Pode provocar um incêndio ou choque eléctrico.



## Tenha cuidado para não se magoar nas mãos ou dedos durante a instalação.

Tenha cuidado para não magoar as mãos ou os dedos quando instalar o Suporte de Montagem na Parede ou o televisor.

## Os parafusos necessários para fixar o Suporte de Montagem na Parede não estão incluídos.

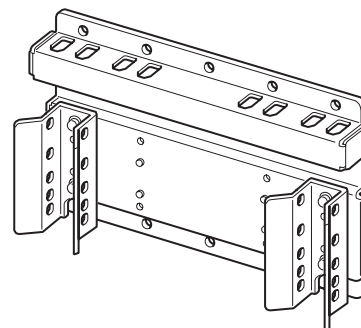
Utilize os parafusos apropriados para o material de que é feita a parede e para a estrutura quando instalar o Suporte de Montagem na Parede.

### Antes da instalação

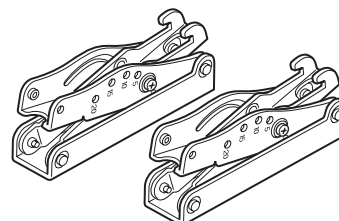
Se pretende instalar um televisor que não está especificado na página 2, certifique-se de que consulta o folheto “Instalar o Suporte de Montagem na Parede” fornecido com o seu televisor.

## Passo 1: Verificação das peças necessárias para a instalação

- 1 Prepare quatro ou mais parafusos de 6 mm de diâmetro ou equivalentes (não fornecidos) e uma chave de parafusos. Escolha parafusos adequados para o material da parede.
- 2 Abra a embalagem e confirme se são fornecidos os seguintes elementos.



Chapa de Base (1)



Gancho de Montagem (2)



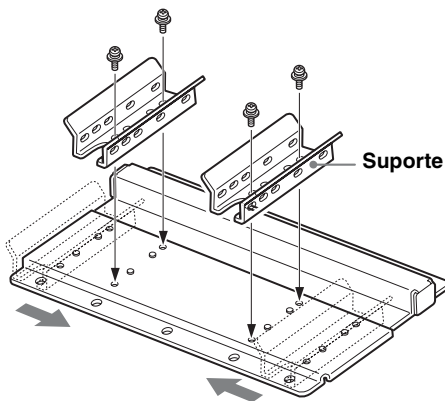
Parafuso (+PSW4 x 12) (6)

## Passo 2: Regular a posição dos suportes da Chapa de Base

1

Tamanho do ecrã do televisor	Procedimento
26 polegadas	Este procedimento não é necessário.
20 polegadas	Siga este procedimento.
Outros	Consulte o folheto fornecido com o seu televisor.

- 1 Retire os parafusos que fixam os suportes esquerdo e direito à Chapa de Base e mova os suportes para a respectiva posição interior.
- 2 Fixe bem cada suporte utilizando os parafusos retirados no procedimento anterior 1.



### Notas

- Quando utilizar uma chave eléctrica, regule o binário de aperto para aproximadamente 1,5 N·m {15 kgf·cm}.
- Certifique-se de que os quatro parafusos que fixam a Chapa de Base e os suportes estão bem apertados.

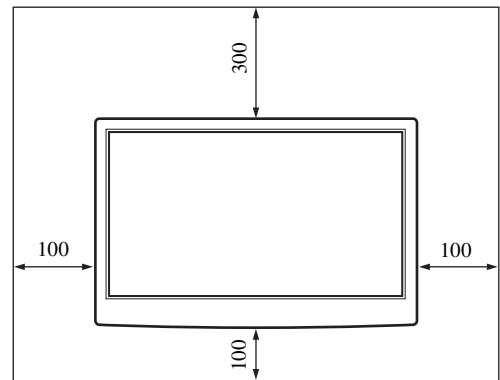
## Passo 3: Decidir sobre a localização da instalação

1

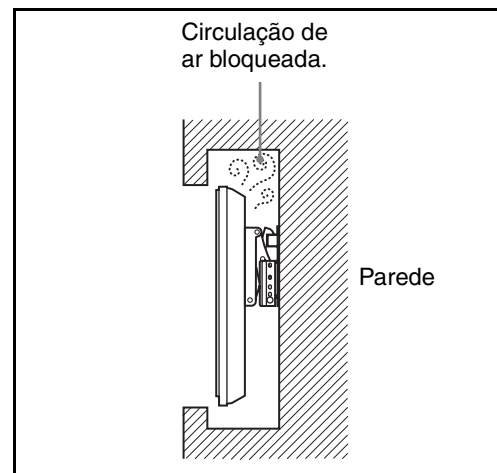
### Consultando a tabela de dimensões para instalação do televisor na página 12, decida a localização da instalação.

Deixe algum espaço livre entre o televisor, o tecto e as partes salientes da parede, como apresentado em baixo.

Unidade: mm



Nunca instale o televisor nas condições seguintes:



### Nota

Se desejar instalar os cabos numa parede, faça primeiro um orifício na mesma para introduzir os cabos antes de iniciar a instalação.



## 2 Consultando o diagrama das dimensões relativas à montagem na parede da página 13, determine as posições dos parafusos para instalação da Chapa de Base.

### AVISO

A parede na qual o televisor será instalado deve ser capaz de suportar um peso **quatro vezes** superior ao peso do televisor (Consulte as instruções do televisor quanto ao respectivo peso).

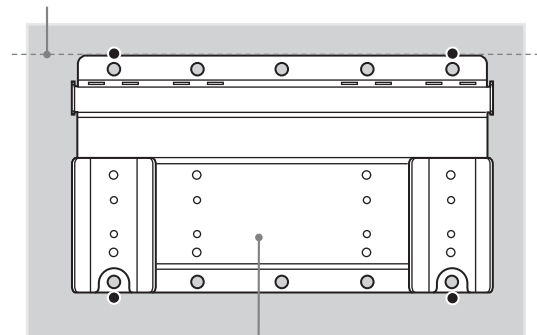
Determine a resistência da parede em que será instalado o televisor. Se necessário, reforce a parede.

## Passo 4: Instalar a Chapa de Base na parede

### 1 Fixe o Chapa de Base à parede com quatro ou mais parafusos de 6 mm de diâmetro ou equivalentes (não fornecidos).

Selecione quatro orifícios de parafusos com a marca ● indicada no diagrama em baixo e aperte os parafusos de forma segura para que não fiquem soltos.

Alinhe a unidade de forma a que fique nivelada.



Chapa de Base

### AVISO

- Os parafusos necessários para este procedimento não são fornecidos. Selecione parafusos adequados ao material e à estrutura da parede.
- Se a Chapa de Base não puder ser instalado de forma segura, utilize os parafusos adicionais.
- Certifique-se de que a Chapa de Base está fixa de forma segura à parede.

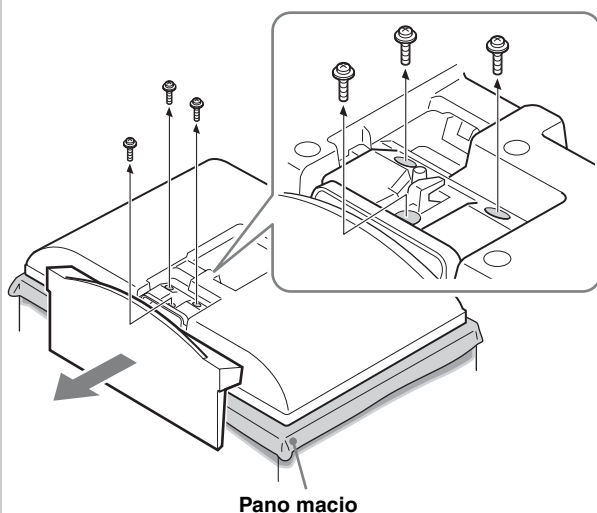
## Passo 5: Preparar para a instalação do televisor

Se pretende instalar um televisor que não está especificado na página 2, certifique-se de que consulta o folheto “Instalar o Suporte de Montagem na Parede” fornecido com o seu televisor.

### 1 Retire os parafusos da parte traseira do televisor. De seguida, solte o Suporte de Fixação para Mesas do televisor.

Coloque o televisor com o ecrã virado para baixo, numa superfície de trabalho estável, protegida por um pano macio.

**Para os seguintes utilizadores de televisor:**  
KDL-26S30xx \*/KLV-26V300A



\* Nos nomes de modelos actuais, o “xx” indica números e/ ou caracteres específicos a cada modelo.

#### Notas

- Ao remover o Suporte de Fixação para Mesas do televisor, coloque o ecrã numa superfície estável maior do que o televisor.
- Para evitar danificar a superfície do ecrã LCD, certifique-se de que coloca um pano macio na superfície de trabalho.

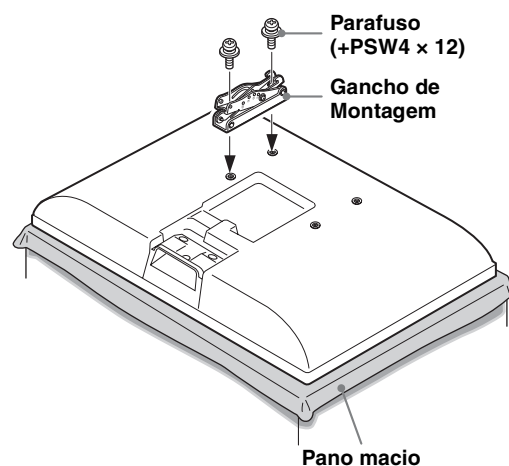
#### ATENÇÃO

- Se for aplicada pressão ou choque à superfície do televisor, o ecrã LCD pode partir ou danificar-se.
- Coloque o ecrã numa superfície estável e nivelada, com o Suporte de Fixação para Mesas pendurado no limite da superfície. Com o ecrã e a base do Suporte de Fixação para Mesas no mesmo nível da superfície pode criar condições de trabalho instáveis e danificar o televisor.
- Quando retirar o Suporte de Fixação para Mesas do televisor, agarre no Suporte de Fixação para Mesas cuidadosamente com ambas as mãos.

Quando utilizar uma chave eléctrica, regule o binário de aperto para aproximadamente 1,5 N·m {15 kgf·cm}. Não levante o Gancho de Montagem antes de fixar os parafusos (dois parafusos para a esquerda/direita). Se o fizer, poderá deformar o Gancho de Montagem ou a caixa do televisor.

### 2 Fixe o Gancho de Montagem ao lado esquerdo da parte traseira do televisor.

- 1 Fixe o Gancho de Montagem na parte traseira do televisor temporariamente, utilizando os dois parafusos fornecidos (+PSW4 × 12).
- 2 Certifique-se de que ambos os parafusos estão bem apertados com igual força de binário na parte traseira do televisor.



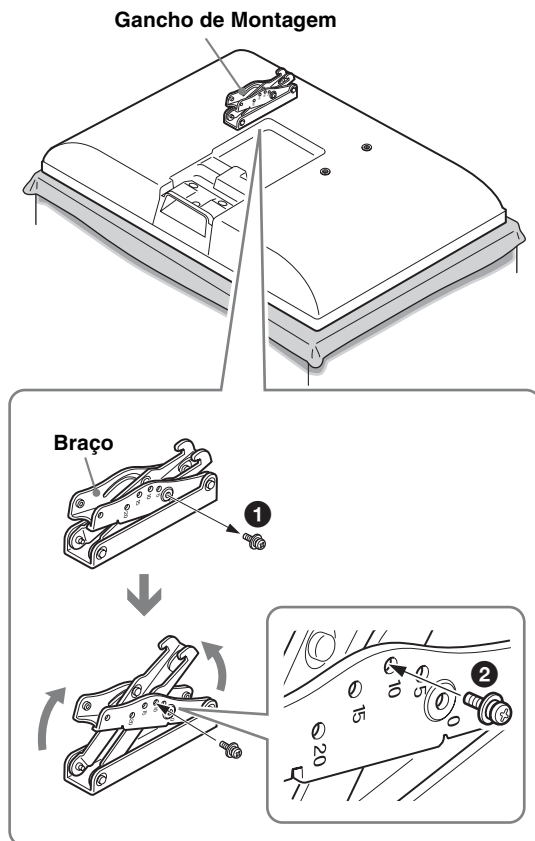
#### Notas

- Se montar primeiro o Gancho de Montagem da direita, será difícil regular o respectivo ângulo. Instale primeiro o Gancho de Montagem da esquerda.
- Certifique-se de que não utiliza quaisquer outros parafusos para além dos fornecidos (+PSW4 × 12) ao fixar o Gancho de Montagem.

### 3 Regular o ângulo do Gancho de Montagem.

Ao instalar o televisor paralelamente à parede (0 graus), não é necessário o ajuste do ângulo do Gancho de Montagem (passo 1 e 2 em baixo).

- 1 Retire o parafuso de regulação do ângulo a partir do braço do Gancho de Montagem. Escolha os orifícios correspondentes ao ângulo desejado (5, 10, 15 ou 20 graus).
- 2 Fixe bem o braço utilizando o parafuso retirado no procedimento anterior 1.



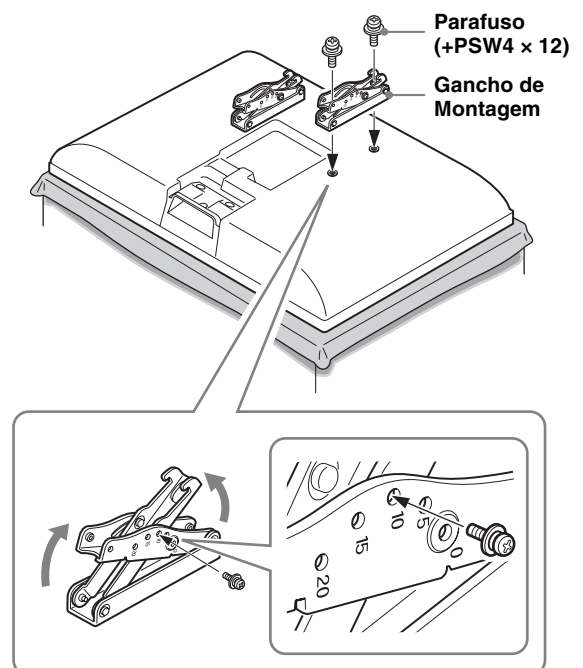
#### ATENÇÃO

Quando regular o ângulo do Gancho de Montagem, tenha cuidado para não entalar os dedos.

### 4 Fixe o Gancho de Montagem ao lado direito da parte traseira do televisor.

- 1 Fixe o Gancho de Montagem na parte traseira do televisor temporariamente, utilizando os dois parafusos fornecidos (+PSW4 x 12).
- 2 Certifique-se de que ambos os parafusos estão bem apertados com igual força de binário na parte traseira do televisor.

Se regular o ângulo esquerdo do Gancho de Montagem, efectue igualmente a mesma regulação que em 3 no Passo 5 "Regular o ângulo do Gancho de Montagem" para a direita.



#### Notas

- Certifique-se de que regula os braços direito e esquerdo com o mesmo ângulo.
- Certifique-se de que as duas bases do braço estão aparafusadas de forma segura.

## Passo 6: Instalação do televisor na parede

Se pretende instalar um televisor que não está especificado na página 2, certifique-se de que consulta o folheto “Instalar o Suporte de Montagem na Parede” fornecido com o seu televisor.

### AVISO

Certifique-se de que a instalação é concluída antes de ligar o cabo de alimentação à tomada. Se o cabo de alimentação ficar trilhado por baixo ou entre as peças do equipamento, isto pode resultar num curto-circuito ou choque eléctrico.

Tenha cuidado para não tropeçar sobre o cabo de alimentação, televisor ou monitor, porque isto pode resultar em danos físicos.

## 1 Ligue o cabo de alimentação CA e o(s) cabo(s) de ligação fornecido(s) com o televisor.

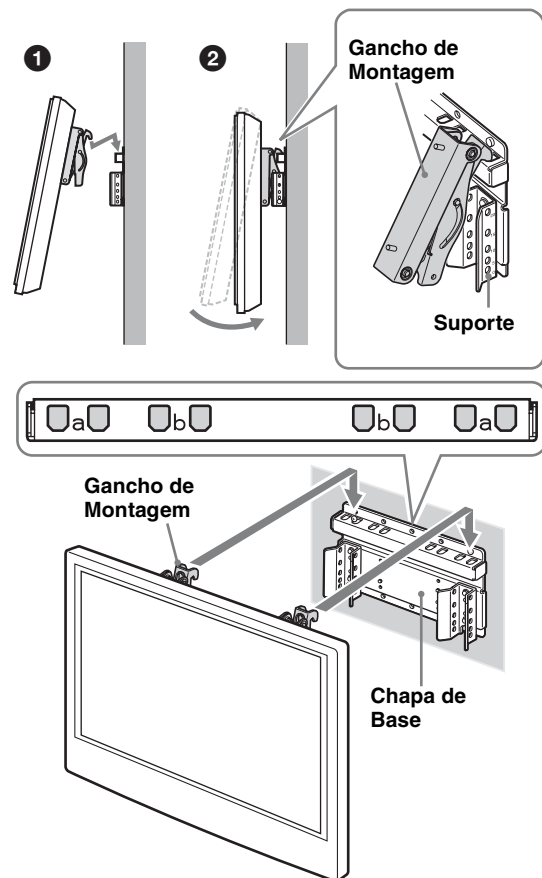
Ligue o cabo de alimentação CA e o(s) cabo(s) de ligação aos conectores no lado traseiro do televisor. Para mais detalhes sobre como ligar o cabo de alimentação CA e o(s) cabo(s) de ligação, consulte o manual de instruções do televisor.

### Notas

- Não é possível ligar os cabos ao televisor após instalá-lo na Chapa de Base.
- Certifique-se de que o encaminhamento dos cabos ao longo da parede é efectuado por agentes autorizados.

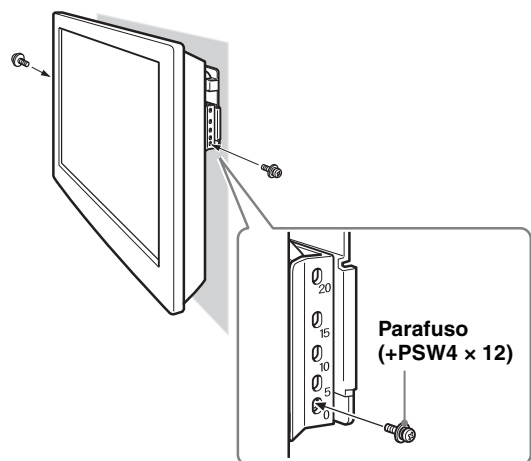
## 2 Instale o televisor na Chapa de Base.

- 1 Consultando o Diagrama/tabela de localização de Ganchos na página 13, determine os orifícios para a Chapa de Base para fixar os ganchos superiores do Gancho de Montagem.
- 2 Segure no televisor com as duas mãos, de forma segura e alinhe-o com a parede.



## 3 Fixe o televisor e a Chapa de Base de modo firme com os dois parafusos fornecidos (+PSW4 x 12).

Fixe o parafuso para a mesma marca de ângulo que regular no ponto 3 no Passo 5.



### Nota

Quando utilizar uma chave eléctrica, regule o binário de aperto para aproximadamente 1,5 N·m {15 kgf·cm}.

### AVISO

Aperte bem ambos os parafusos de fixação esquerdo e direito. Se não o fizer, o televisor pode cair e provocar ferimentos quando empurrado para cima.

## Confirmar a conclusão da instalação

### Verifique os seguintes pontos.

- Os ganchos do Gancho de Montagem estão fixados firmemente nos orifícios da Chapa de Base.
- Os cabos de alimentação e ligação não devem ser dobrados nem trilhados.
- Os dois parafusos que fixam o Gancho de Montagem e a Chapa de Base estão bem apertados.

#### AVISO

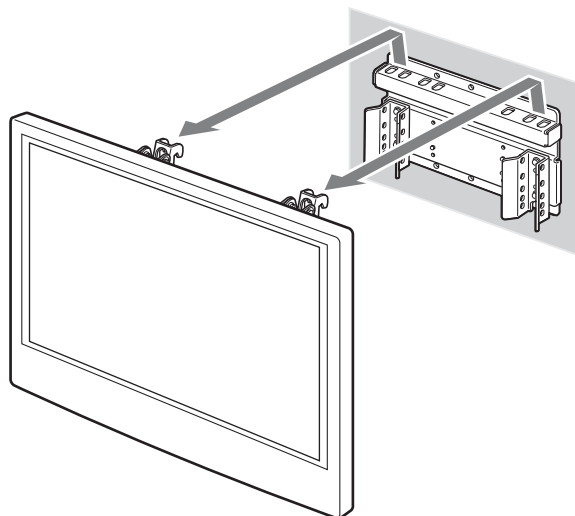
Não ajuste o ângulo da Unidade de Gancho de Montagem quando o televisor estiver instalado na parede e certifique-se de que procede à instalação completa. Pode provocar quedas do aparelho e ferimentos ou danos materiais. De igual forma, a instalação incorrecta do cabo de alimentação CA, etc., pode provocar um incêndio ou choque eléctrico devido a um curto-circuito. Verifique se a instalação está terminada, por medida de segurança.

## Quando retirar o televisor

### Para os Agentes da Sony

- 1 Desligue o cabo de alimentação CA da tomada de parede.**
- 2 Retire os dois parafusos que fixam o televisor e a Chapa de Base. (Consulte a secção 3 do Passo 6 na página 10 para saber as posições dos parafusos.)**

- 3 Certifique-se de que suporta o televisor e faça-o deslizar para cima para retirá-lo.**

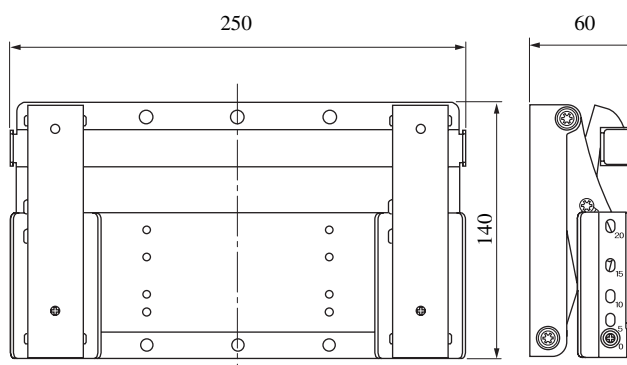


#### ATENÇÃO

- Tenha cuidado para que os cabos de alimentação e ligação não fiquem presos quando retirar o televisor.
- Tenha cuidado para não ferir as mãos ou os dedos quando retirar o televisor.

## Especificações

Unidade: mm  
Peso: 1,2 kg

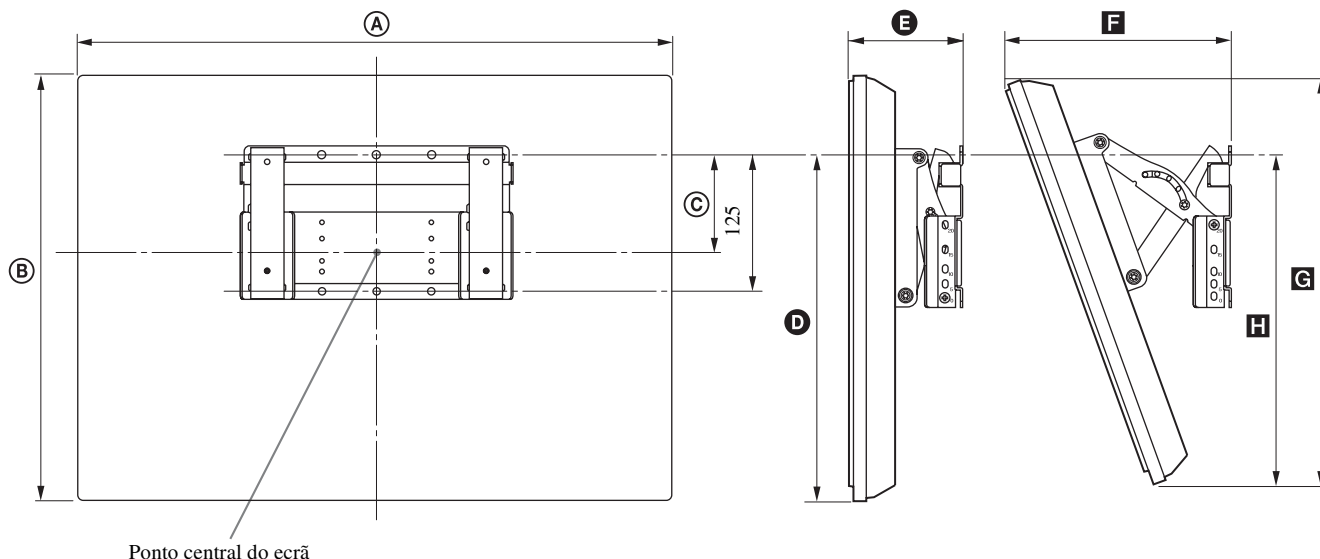


O design e as características técnicas estão sujeitas a alterações sem aviso prévio.

# Tabela de dimensões para a instalação do televisor

Esta tabela apresenta as dimensões do televisor que é instalado neste produto. Consulte esta tabela para decidir o local de instalação.

Se pretende instalar um televisor que não está especificado abaixo, certifique-se de que consulta o folheto “Instalar o Suporte de Montagem na Parede” fornecido com o seu televisor.



Unidade: mm

Nome do modelo	Dimensões do televisor		Dimensão central do ecrã	Comprimento para cada um dos ângulos de montagem				
				Ângulo (0°)		Ângulo (20°)		
	A	B	C	D	E	F	G	H
KDL-26S30xx */ KLV-26V300A	656	452	107	355	156	256	443	358

Alguns modelos podem não estar disponíveis em determinadas regiões.

Os valores na tabela em cima podem ser ligeiramente diferentes, dependendo da instalação.

\* Nos nomes de modelos actuais, o “xx” indica números e/ ou caracteres específicos a cada modelo.

## Nota

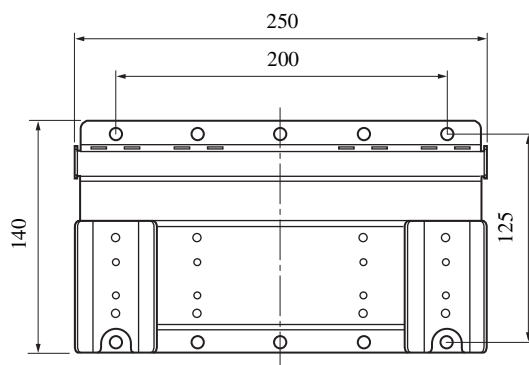
Na versão europeia do modelo KDL-26S30xx, as dimensões são diferentes das indicadas na tabela acima. Consulte o folheto fornecido com o seu televisor.

## AVISO

A parede na qual o televisor irá ser instalado deve ser capaz de suportar um peso quatro vezes superior ao peso do televisor. Consulte as instruções do televisor quanto ao respectivo peso.

# Diagrama das dimensões relativas à montagem na parede

Unidade: mm

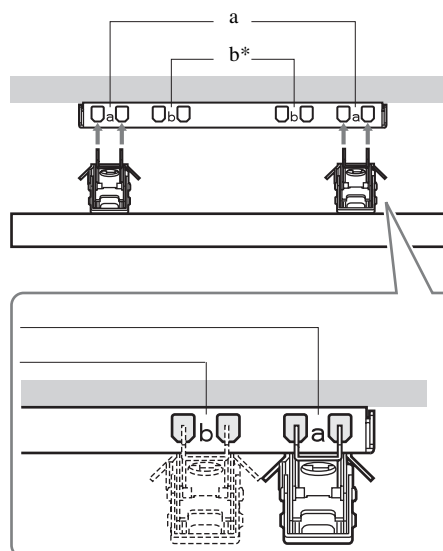


## Diagrama/tabela de localização de Ganchos

Nome do modelo	Localização do gancho
KDL-26S30xx * KLV-26V300A	a

Alguns modelos podem não estar disponíveis em determinadas regiões.

\* Nos nomes de modelos actuais, o "xx" indica números e/ ou caracteres específicos a cada modelo.



\* A posição "b" do grampo não pode ser aplicada aos modelos listados na tabela da esquerda.

## Tak, fordi du har købt dette produkt.

### Til kunder

Installation af dette produkt kræver visse forudsætninger. Montering skal udføres af en Sony-forhandler eller autoriseret tekniker under hensyntagen til sikkerheden under installationen. Sony er ikke ansvarlig for eventuelle materielle skader eller personskader, der skyldes forkert håndtering eller mangelfuld installation eller installation af et andet produkt end det, der er angivet. Dine eventuelle lovsikrede rettigheder påvirkes ikke.

## ADVARSEL

Hvis sikkerhedsforskrifterne ikke overholdes, eller produktet anvendes på ukorrekt vis, kan det medføre alvorlig personskade eller brand.

Denne brugervejledning beskriver korrekt håndtering af produktet og vigtige forholdsregler, som er nødvendige for at forhindre ulykker. Læs denne vejledning grundigt, og brug produktet korrekt. Gem denne vejledning til senere brug.

### Til Sony-forhandlere

Installation af dette produkt kræver visse forudsætninger. Læs denne vejledning grundigt for at udføre monteringen på sikker vis. Sony kan ikke holdes ansvarlig for materielle skader eller personskader forårsaget af ukorrekt behandling eller montering. Giv denne vejledning til kunden efter monteringen.

## Om sikkerhed

Sonys produkter er udformet med henblik på sikkerhed. Hvis produkterne anvendes forkert, kan det medføre alvorlig personskade som følge af brand, elektrisk stød, eller fordi produktet vælter eller falder ned. Undgå sådanne ulykker ved at overholde sikkerhedsforskrifterne.

## FORSIGTIG

### Specificerede produkter

Følgende produkter kan ændres uden varsel, er muligvis ikke på lager eller er udgået. Ligeledes sælges bestemte modeller kun i nogle områder.

LCD-farve-tv	KDL-26S30xx * KLV-26V300A
--------------	------------------------------

\* "xx" i modelnavnene angiver tal og/eller tegn for den enkelte model.

Dette beslag til vægmontering er udviklet til brug med de ovenfor specificerede produkter.

Se vejledningen til andre tv for at se, om dette beslag til vægmontering kan bruges.

Nogle tv og skærme leveres med en folder, der forklarer, hvordan beslaget til vægmontering monteres ("Montering af beslaget til vægmontering").



## ADVARSEL

Hvis følgende forholdsregler ikke overholdes, kan det medføre alvorlig personskade eller død som følge af brand, elektrisk stød, eller fordi produktet vælter eller falder ned.

### Lad monteringen udføre af en autoriseret tekniker, og sørg for, at der ikke er små børn til stede under monteringen.

Hvis beslaget til vægmontering eller tv'et ikke monteres korrekt, kan følgende ulykker forekomme. Lad monteringen udføre af autoriserede teknikere.



- Tv'et kan falde ned og forårsage alvorlig personskade, f.eks. blå mærker eller knoglebrud.
- Hvis den væg, hvor beslaget til vægmontering er monteret, er ustabil, skæv eller ikke står vinkelret på gulvet, kan enheden falde ned og forårsage personskade eller materiel skade. Væggen skal kunne bære en vægt på mindst fire gange tv'ets vægt. (Se vejledningen til dit tv for at få oplysninger om tv'ets vægt.)
- Hvis monteringen af beslaget til vægmontering ikke er solid nok, kan enheden falde ned og forårsage personskade eller materiel skade.

### Lad flytning eller afmontering af tv'et udføre af autoriserede teknikere.

Hvis andre personer end autoriserede teknikere flytter eller afmonterer tv'et, kan det falde ned og forårsage personskade eller materiel skade.

### Undgå at spilde væske af nogen art på tv'et.

Hvis tv'et bliver vådt, kan dette medføre brand eller elektrisk stød.

### Fjern ikke skruer osv. efter monteringen af tv'et.

Hvis du gør det, kan tv'et falde ned og forårsage personskade eller materiel skade.

### Skil ikke beslaget til vægmontering ad, og foretag ikke ændringer af dets dele.

Hvis du gør det, kan beslaget til vægmontering falde ned og forårsage personskade eller materiel skade.

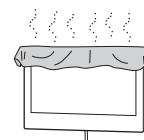


### Monter ikke andet udstyr end det specificerede produkt.

Dette beslag til vægmontering er udviklet til kun at bruges sammen med det specificerede produkt. Hvis du monterer andet udstyr end det specificerede, kan det falde ned eller gå i stykker og forårsage personskade eller materiel skade.

### Dæk ikke tv'ets ventilationshuller til.

Hvis du tildækker ventilationshullerne (med en klud eller lignende), kan der opbygges varme indeni, og der kan opstå brand.



### Påfør ikke nogen anden belastning end tv'et på beslaget til vægmontering.

Hvis du gør det, kan tv'et falde ned og forårsage personskade eller materiel skade.



### Læn dig ikke ind over tv'et, og hæng ikke i det.

Læn dig ikke ind over tv'et, og hæng ikke i det, da det kan falde ned på dig og forårsage alvorlige personskader.



### Udsæt ikke tv'et for regn eller fugt.

Det kan forårsage brand eller elektrisk stød.

### Placer aldrig tv'et i varme, fugtige eller meget støvede omgivelser, eller på et sted, hvor tv'et udsættes for mekaniske vibrationer.

Det kan forårsage brand eller elektrisk stød.

### Hold brændbare genstande eller åben ild (f.eks. stearinlys) væk fra tv'et.

Hold brændbare genstande eller åben ild (f.eks. stearinlys) væk fra tv'et for at undgå brand.

## FORSIGTIG

Hvis følgende forholdsregler ikke overholdes, kan der opstå materiel skade eller personskade.

### Monter ikke beslaget til vægmontering på flader, hvor tv'ets hjørner eller sider stikker frem og væk fra vægoverfladen.

Monter ikke beslaget til vægmontering på flader, f.eks. en søjle, hvor tv'ets hjørner eller sider stikker væk fra vægoverfladen. Hvis en person eller genstand støder mod et af tv'ets udstikkende hjørner eller sider, kan det forårsage personskade eller materiel skade.



### Håndter produktet forsigtigt under rengøring og vedligeholdelse.

Tryk ikke hårdt ned på tv'et overside. Hvis du gør det, kan tv'et falde ned og forårsage personskade eller materiel skade.

### Monter ikke tv'et over eller under et airconditionanlæg.

Hvis tv'et udsættes for vandlækager eller luftstrømme fra et airconditionanlæg i længere tid ad gangen, kan det forårsage brand, elektrisk stød eller en funktionsfejl i tv'et.

## Forholdsregler

- Hvis du bruger tv'et monteret på vægbeslaget gennem længere tid, kan væggen bag eller over tv'et blive misfarvet, eller tapetet kan løsne sig, afhængigt af det materiale, væggen er lavet af.
- Hvis beslaget til vægmontering fjernes efter montering på væggen, bliver skruehullerne tilbage.
- Hvis du har ført 300-ohm tilslutningskabler ind bag væggen, anbefaler vi, at du udskifter dem med 75-ohm koaksialkabler. Hvis det er nødvendigt at bruge 300-ohm tilslutningskabler, skal du sikre, at der er tilstrækkelig med plads mellem tv'et og tilslutningskablerne bag væggen, før du monterer. Kontakt en autoriseret tekniker vedrørende et passende monteringssted (uden radiostøj osv.), før der monteres.

## Montering af beslaget til vægmontering

### Til Sony-forhandlere

#### ADVARSEL

##### Til kunder

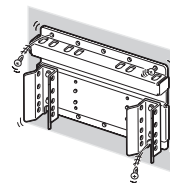
Installation af dette produkt kræver visse forudsætninger. Montering skal udføres af en Sony-forhandler eller autoriseret person under hensyntagen til sikkerheden.

##### Til Sony-forhandlere

Følgende anvisninger er kun til Sony-forhandlere. Sørg for at læse ovennævnte sikkerhedsforskrifter grundigt, og vær særlig opmærksom på sikkerheden under montering, vedligeholdelse, kontrol og reparation af dette produkt.

### Sørg for at montere beslaget til vægmontering sikkert på væggen, idet du følger instruktionerne i denne brugervejledning.

Hvis en skrue sidder løst eller falder ud, kan vægmonteringsbeslaget falde og forårsage personskade eller tingsskade. Sørg for at bruge de korrekte skruer til vægmaterialet, og fastgør enheden sikkert ved hjælp af fire eller flere skruer, der er 6 mm i diameteren (eller tilsvarende skruer).



### Sørg for at bruge de medfølgende skruer og tilhørende dele korrekt, idet du følger instruktionerne i denne brugervejledning. Hvis du bruger erstatningsdele, kan tv'et falde ned og forårsage personskade eller blive beskadiget.

### Sørg for at samle beslaget korrekt, idet du følger den procedure, der er forklaret i denne brugervejledning.

Hvis nogle af skrueerne er løse eller falder ud, kan tv'et falde ned og forårsage personskade eller blive beskadiget.

## Sørg for at stramme skruerne tilstrækkeligt på den angivne position.

Hvis du ikke gør det, kan tv'et falde ned og forårsage personskade eller blive beskadiget.

## Undgå omhyggeligt at udsætte tv'et for stød under monteringen.

Hvis tv'et udsættes for stød, kan produktet falde ned eller gå i stykker. Dette kan forårsage personskade.

## Sørg for at montere tv'et på en væg, der er både lodret og plan.

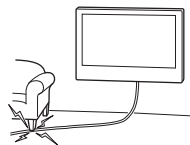
Hvis du ikke gør det, kan tv'et falde ned og forårsage personskade.

## Sørg for at sikre kablerne forsvarligt efter korrekt montering af tv'et.

Hvis mennesker eller genstande bliver viklet ind i kablerne, kan det forårsage personskade eller beskadigelse af tv'et.

## Sørg for, at netledningen eller tilslutningskablet ikke bliver klemt.

Hvis netledningen eller tilslutningskablet er klemt mellem enheden og væggen eller bøjes eller snos med magt, kan ledningstrådene blive blottet og forårsage kortslutning eller strømafbrydelse. Det kan forårsage brand eller elektrisk stød.



## Undgå at beskadige hænderne eller fingrene under monteringen.

Undgå at beskadige hænderne eller fingrene under monteringen af beslaget til vægmontering eller tv'et.

## De skruer, der skal bruges til at fastgøre beslaget til væggen, medfølger ikke.

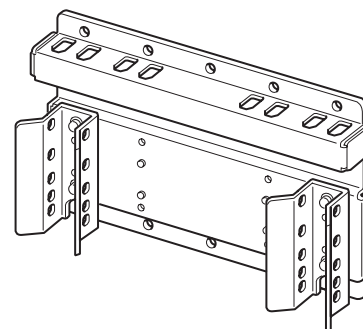
Brug skruer, der egner sig til det materiale, væggen er lavet af, når beslaget til vægmontering monteres.

### Før montering

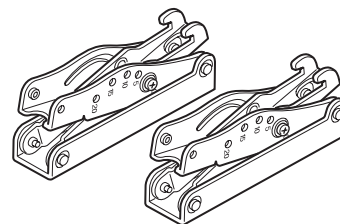
Hvis du vil installere et tv, der ikke er angivet på side 2, skal du læse folderen "Montering af beslaget til vægmontering", der fulgte med tv'et.

## Trin 1: Kontrol af de dele, der kræves til monteringen

- 1 Find fire eller flere skruer, der er 6 mm i diameter, eller lignende skruer frem (medfølger ikke) samt en skruetrækker. Vælg skruer, der passer til vægmaterialet.
- 2 Åbn emballagen og kontroller, at følgende dele findes i æsken.



Grundbeslag (1)



Monteringskrog (2)



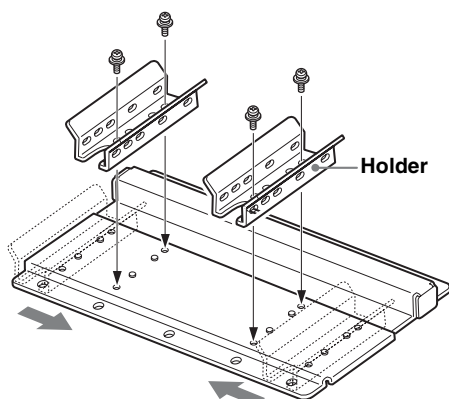
Skruer (+PSW4 x 12) (6)

## Trin 2: Justering af positionen af holderne på grundbeslaget

1

Tv-skærmstørrelse	Procedure
26 tommer	Denne procedure er ikke nødvendig.
20 tommer	Følg denne procedure.
Andet	Se den folder, der følger med tv'et.

- 1 Fjern de skuer, der holder de venstre og højre holdere fast på grundbeslaget og flyt holderne til den inderste position.
- 2 Gør hver holder godt fast ved at bruge de skruer, der blev fjernet i den foregående procedure 1.



### Bemærk

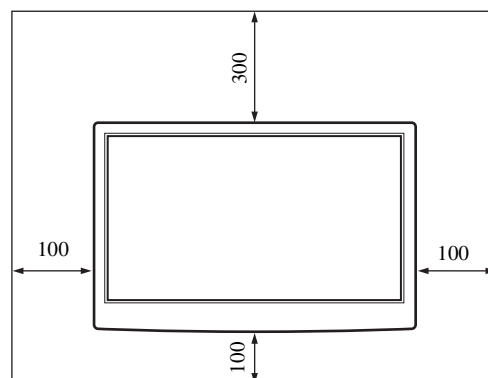
- Hvis der bruges en elektrisk skruetrækker, skal drejningsmomentet indstilles til ca. 1,5 N·m {15 kgf·cm}.
- Sørg for, at de fire skruer, der fastholder grundbeslaget og holderne, er strammet forsvarligt.

## Trin 3: Beslutning om monteringssted

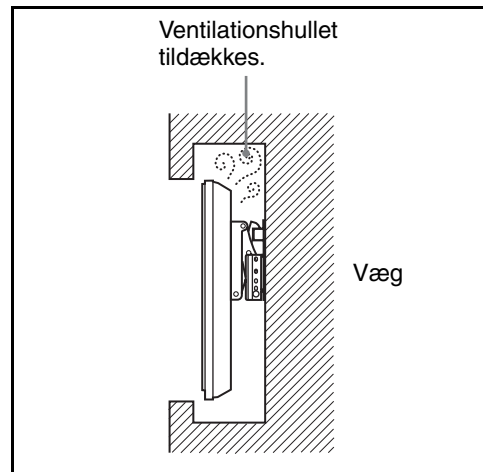
### 1 Bestem dig til monteringsstedet ud fra måletabellen til tv- montering på side 12.

Sørg for passende afstand mellem tv'et og loftet og fremspringende dele af væggen som vist nedenfor.

Enhed: mm



Monter aldrig tv'et som vist herunder:



### Bemærk

Hvis du har tænkt dig at placere kablerne i væggen, skal du lave et hul til indføring af kablerne i væggen, før monteringen påbegyndes.

## 2 Se måletabellen for montering på væggen på side 13 for at finde ud af, hvor skrueerne til grundbeslaget skal skrues i.

### ADVARSEL

Den væg, som tv'et monteres på, skal kunne klare en vægt, som er minimum **fire gange** større end tv'ets (find oplysninger om vægt i tv'ets betjeningsvejledning.).

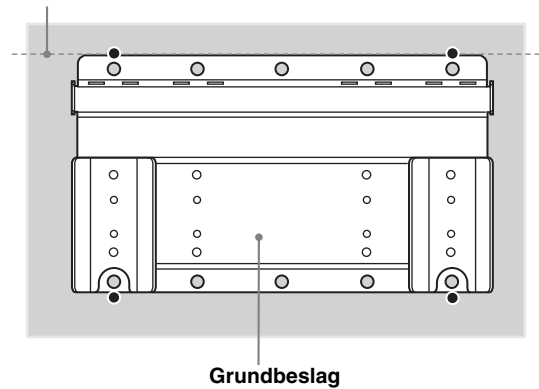
Bestem styrken af den væg, som tv'et skal monteres på. Sørg for, at væggen er tilstrækkeligt forstærket, hvis det er nødvendigt.

## Trin 4: Montering af grundbeslaget på væggen

### 1 Fastgør grundbeslaget til væggen ved hjælp af fire eller flere skrue, som er 6 mm i diameter, eller tilsvarende (medfølger ikke).

Vælg fire skruenhuller med det ●-mærke, som er vist i diagrammet herunder, og stram skrueerne til, så de ikke løsnes.

Juster tv'et, så det er i vater.



### ADVARSEL

- Skrueerne, der kræves til denne procedure, medfølger ikke. Vælg skrueer, der passer til væggen materiale og struktur.
- Hvis grundbeslaget ikke kan fastgøres tilstrækkeligt, skal du bruge flere skrueer.
- Kontroller, at grundbeslaget er fastgjort tilstrækkeligt til væggen.

# Trin 5: Forberedelse af montering af tv'et

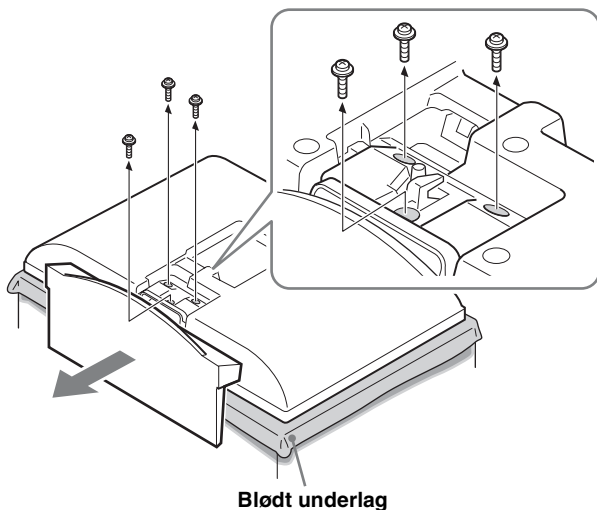
Hvis du vil montere et tv, der ikke er angivet på side 2, skal du læse folderen "Montering af beslaget til vægmontering", der fulgte med tv'et.

## 1 Fjern skruerne fra bagsiden af tv'et. Fjern derefter tv-foden fra tv'et.

Placer tv'et med skærmsiden nedad på et blødt underlag på en stabil overflade.

### Til følgende tv-brugere:

KDL-26S30xx \*/KLV-26V300A



\* "xx" i modelnavnene angiver tal og/eller tegn for den enkelte model.

### Bemærk

- Når foden tages af tv'et, skal skærmen lægges med fronten ned på et stabilt område, som er større end tv'et.
- Brug noget blødt stof som underlag for at undgå at beskadige overfladen af LCD-skærmen.

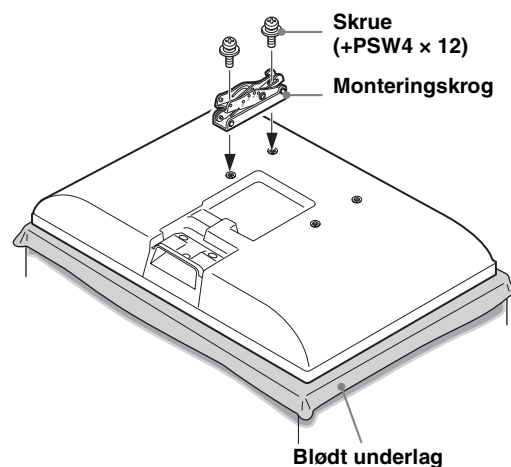
### FORSIGTIG

- Hvis tv'ets overflade udsættes for tryk eller stød, kan LCD-skærmen gå i stykker eller blive beskadiget.
- Læg skærmen med fronten ned på et stabilt og plant niveau, så foden hænger ud over områdets kant. Hvis skærmfronten og basen af foden er på samme niveau, vil det forårsage ustabile arbejdsbetingelser og kan beskadige fjernsynet.
- Når foden fjernes fra tv'et, skal der holdes godt fast i foden med begge hænder.

Hvis der bruges en elektrisk skruetrækker, skal drejningsmomentet indstilles til ca. 1,5 N·m {15 kgf·cm}. Løft ikke monteringskrogen, før skruerne (to skruer til henholdsvis venstre og højre) er skruet fast. Dette kan ødelægge monteringskrogen eller tv-kabinettet.

## 2 Fastgør monteringskrogen fra venstre side at tv'ets bagside.

- 1 Fastgør midlertidigt monteringskrogen bag på tv'et ved hjælp af de to medfølgende skruer (+PSW4 × 12).
- 2 Sørg for, at begge skruer er skruet stramt til med ensartet drejningsmoment bag på tv'et.



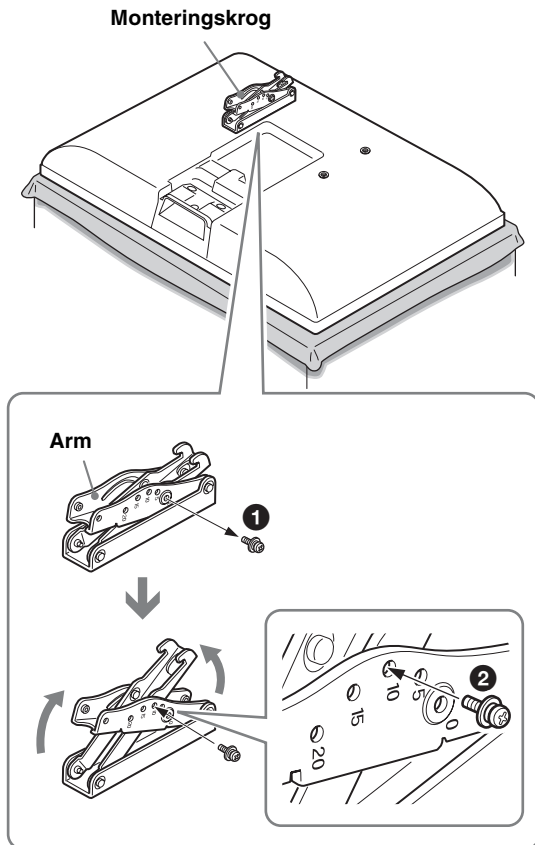
### Bemærk

- Hvis du monterer den højre monteringskrog først, vil det være vanskeligt at justere dens vinkel. Monter den venstre monteringskrog først.
- Sørg for ikke at bruge andre skruer end de medfølgende Monteringskrogene (+PSW4 × 12), når monteringskrogen fastgøres.

### 3 Juster monteringskrogens vinkel.

Når tv'et monteres parallelt med væggen (0 grader), er det ikke nødvendigt at indstille vinklen af monteringskrogen (fremgangsmåde ❶ og ❷ herunder).

- ❶ Fjern vinkeljusteringsskruen fra armen på monteringskrogen. Vælg de huller, som svarer til den ønskede vinkel (5, 10, 15 eller 20 grader).
- ❷ Fastgør armen forsvarligt med den skrue, der blev fjernet i den foregående procedure ❶.



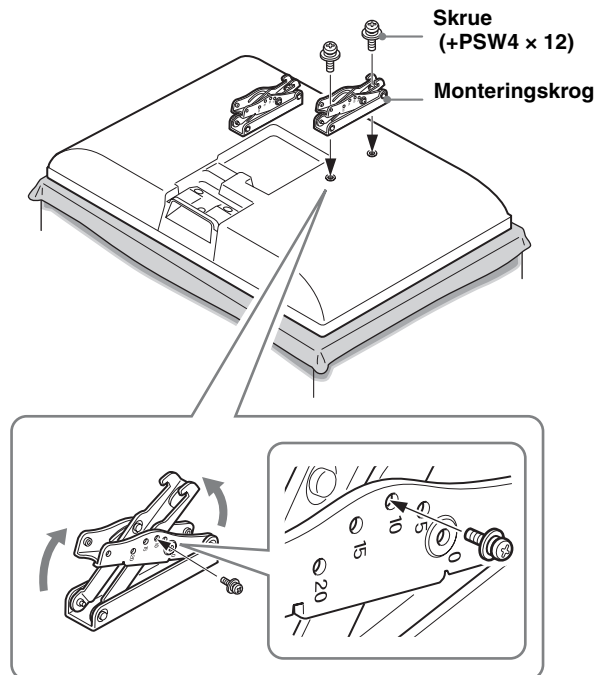
#### **FORSIGTIG**

Pas på, du ikke klemmer fingrene, når monteringskrogens vinkel indstilles.

### 4 Fastgør monteringskrogen på højre side af tv'ets bagside.

- ❶ Fastgør midlertidigt monteringskrogen bag på tv'et ved hjælp af de to medfølgende skruer (+PSW4 × 12).
- ❷ Sørg for, at begge skruer er skruet stramt til med ensartet drejningsmoment bag på tv'et.

Hvis du justerede monteringskrogens venstre vinkel, skal du udføre den samme justering for den højre som i 3 under trin 5 "Juster monteringskrogens vinkel".



#### **Bemærk**

- Sørg for, at højre og venstre arm er indstillet med samme vinkel.
- Sørg for, at de to armbeslag er skruet godt i.



## Trin 6: Montering af tv'et på væggen

Hvis du vil montere et tv, der ikke er angivet på side 2, skal du læse folderen "Montering af beslaget til vægmontering", der fulgte med tv'et.

### ADVARSEL

Sørg for at gennemføre monteringen, før netledningen sættes i stikkontakten på væggen. Hvis du lader netledningen komme i klemme mellem stykker af udstyret, kan det medføre kortslutning eller elektrisk stød.

Pas på ikke at falde over netledningen eller tv'et, da du kan komme til at påføre dig selv skade.

## 1 Slut netledningen og tv'ets medfølgende tilslutningskabler til tv'et.

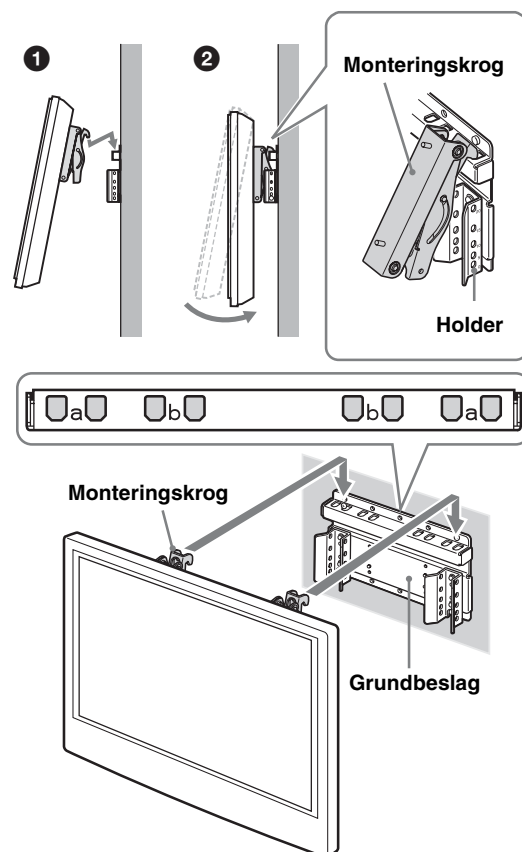
Tilslut netledningen og de medfølgende tilslutningskabler til stikkene på bagsiden af tv'et. Yderligere oplysninger om tilslutning af netledningen og tilslutningskablerne findes i tv'ets betjeningsvejledning.

### Bemærk

- Du kan ikke slutte kablerne til tv'et, efter at det er monteret på grundbeslaget.
- Lad en autoriseret tekniker føre kablerne i væggen.

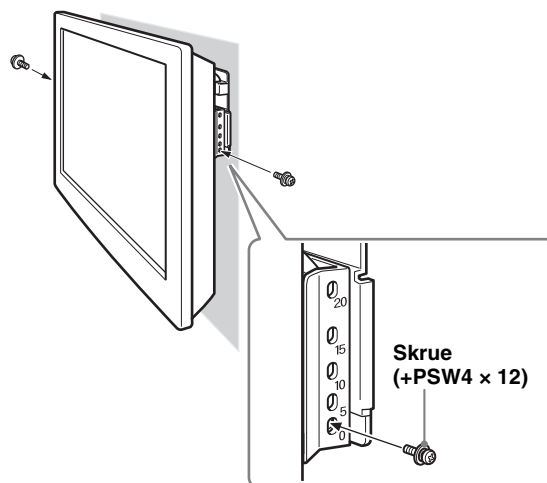
## 2 Monter tv'et på grundbeslaget.

- 1 Bestem hullerne til grundbeslaget ud fra diagrammet/tabellen til placering af krog på side 13, som skal bruges til at placere de øverste kroge i grundbeslaget i.
- 2 Hold godt fast i tv'et med begge hænder, og juster det forsigtigt i forhold til væggen.



## 3 Fastgør tv'et og grundbeslaget godt ved hjælp af de to medfølgende skruer (+PSW4 × 12).

Fastgør skruen på det samme vinkelmærke, som du justerede i 3 under trin 5.



### Bemærk

Hvis der bruges en elektrisk skruetrækker, skal drejningsmomentet indstilles til ca. 1,5 N·m { 15 kgf·cm }.

### ADVARSEL

Sørg for, at både den højre og venstre sikringsskruer spændes godt fast. Hvis du ikke gør det, kan tv'et falde ned, når der skubbes opad, og forårsage personskade.



## Kontroller, at monteringen er gennemført

### Kontroller følgende punkter.

- Monteringskrogens kroge placeres solidt i grundbeslagets huller.
- Ledningen og kablet er ikke snoet eller klemt.
- De to skruer, som fastgør monteringskrogen og grundbeslaget, er strammet forsvarligt.

#### ADVARSEL

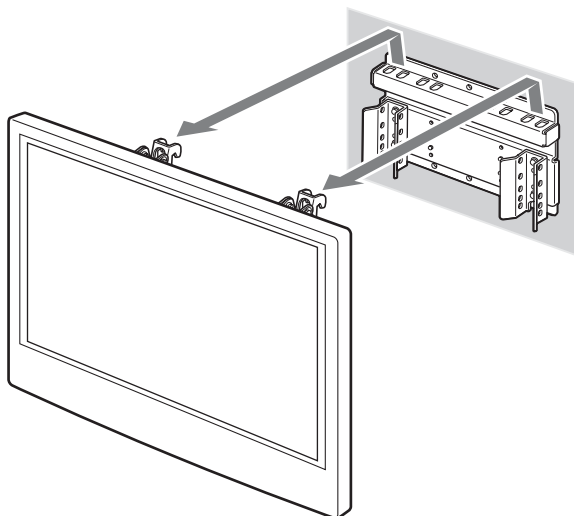
Juster ikke på monteringskrogens vinkel, når tv'et er monteret på væggen, og sørg for at montere det helt fast. Hvis der justeres på monteringskrogen, kan produktet falde ned og forårsage personskade eller tingsskade. Ukorrekt placering af netledningen o. lign. kan forårsage brand eller elektrisk stød i tilfælde af en kortslutning. Kontroller gennemførelsen af monteringen for sikkerhed.

## Når tv'et fjernes

Til Sony-forhandlere

- 1 Tag netledningen ud af stikkontakten.
- 2 Fjern de to skruer, som fastgør tv'et og grundbeslaget. (Se skruernes placering under 3 i trin 6 på side 10.)

- 3 Sørg for at holde på tv'et og skubbe det opad for at fjerne tv'et.

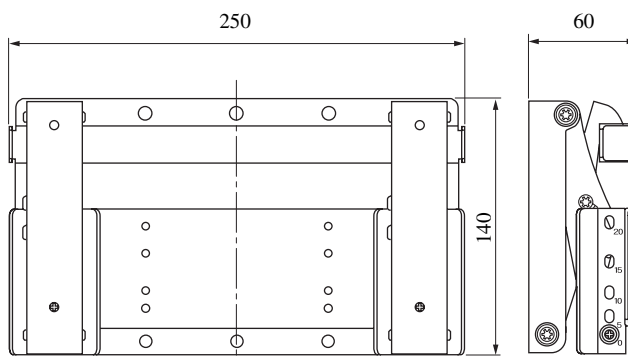


#### FORSIGTIG

- Vær omhyggelig med, at ledningen og kablerne ikke bliver fanget, når tv'et fjernes.
- Pas på, du ikke kommer til skade med hænder eller fingre, når tv'et fjernes.

## Specifikationer

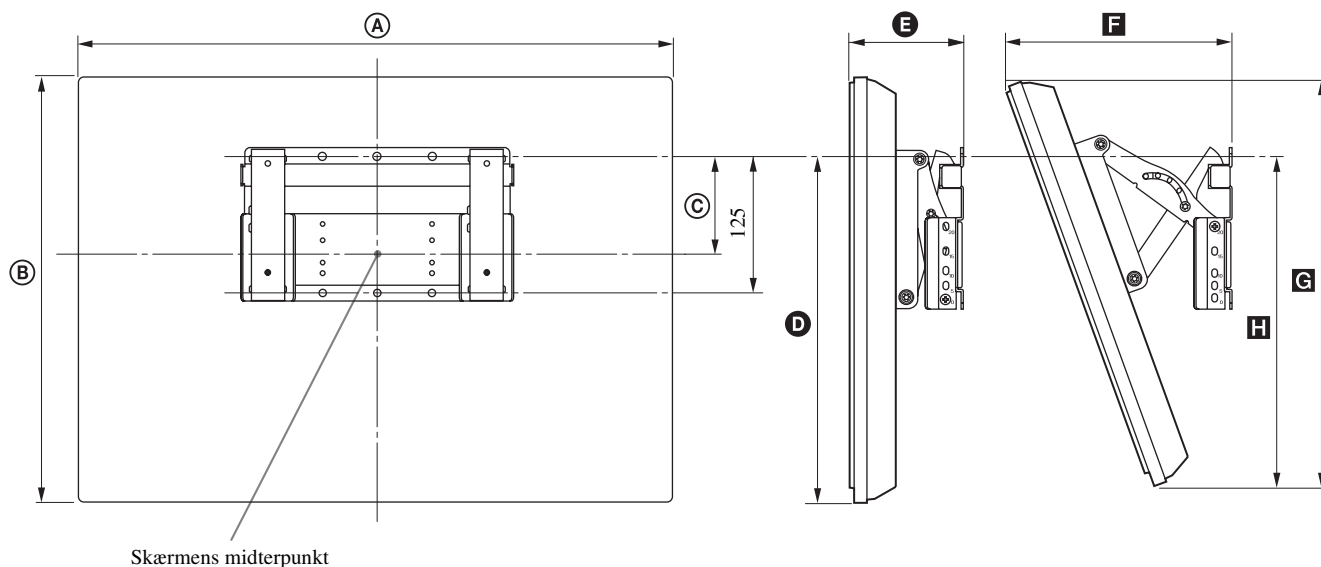
Enhed: mm  
Vægt: 1,2 kg



Design og specifikationer kan ændres uden varsel.

# Måltabel til tv-montering

Tabellen nedenfor angiver mål på det tv, der skal monteres på dette produkt. Brug denne tabel til at afgøre monteringsstedet. Hvis du vil installere et tv, der ikke er angivet nedenfor, skal du læse folderen "Montering af beslaget til vægmontering", der fulgte med tv'et.



Enhed: mm

Modelnavn	Skærmens mål		Skærmens midtermål	Længde af hver monteringsvinkel				
				Vinkel (0°)		Vinkel (20°)		
	A	B	C	D	E	F	G	H
<b>KDL-26S30xx */KLV-26V300A</b>	656	452	107	355	156	256	443	358

Nogle modeller vil muligvis ikke kunne fås i visse områder.  
Tallene i ovenstående tabel kan afvige en smule, afhængigt af installationen.

\* "xx" i modelnavnene angiver tal og/eller tegn for den enkelte model.

## Bemærk

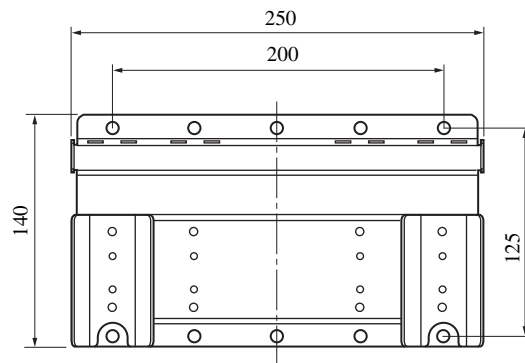
For den europæiske model af KDL-26S30xx afviger målene fra dem, der er angivet i ovenstående tabel. Se den folder, der følger med tv'et.

## ADVARSEL

Væggen, som tv'et skal monteres på, skal som minimum kunne bære en belastning på fire gange tv'ets vægt.  
Se vejledningen til dit tv for oplysninger om dets vægt.

# Måltabel for montering på væggen

Enhed: mm

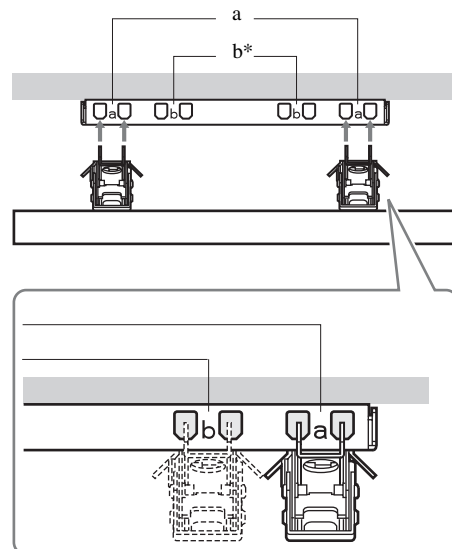


## Diagram/tabel til placering af krog

Modelnavn	Placering af krog
KDL-26S30xx * KLV-26V300A	a

Nogle modeller vil muligvis ikke kunne fås i visse områder.

\* "xx" i modelnavnene angiver tal og/eller tegn for den enkelte model.



\* Placeringen "b" af krogene kan ikke bruges til modellerne i den venstre tabel.

## Tack för att du valt denna produkt.

### För kunder

Installationen av denna produkt kräver att du har tillräckliga kunskaper. Se till att anlita en Sony-återförsäljare eller en behörig montör för att utföra installationen och var särskilt noggrann med säkerheten under installationen. Sony är inte ansvarigt för eventuella person- eller materiella skador som orsakats av felaktig hantering eller felaktig installation, eller av att annat än den specificerade produkten installerats. Dina eventuella lagenliga rättigheter påverkas inte.

## VARNING!

Om du inte följer säkerhetsföreskrifterna eller om du använder produkten på fel sätt, kan det leda till brand eller allvarliga personskador.

I den här bruksanvisningen finns instruktioner för hur produkten används samt information om sådant som du bör känna till för att undvika olyckor. Läs den här bruksanvisningen noga och använd produkten enligt instruktionerna. Behåll den här bruksanvisningen för framtida bruk.

### För Sony-återförsäljare

Installationen av denna produkt kräver att du har tillräckliga kunskaper. För att du ska kunna göra den här installationen säker måste du ta del av informationen i den här bruksanvisningen. Sony kan inte hållas ansvarigt för eventuella skador eller personskador som orsakats av felaktig användning eller felaktig installation. Vänligen ge den här bruksanvisningen till kunden efter utförd installation.

## Om säkerhet

Produkter från Sony är utformade med tanke på säkerhet. Om produkterna används felaktigt kan det dock leda till allvarliga personskador till följd av brand, elstötar eller av att produkten välts eller fallit ned. Åsidosätt inte säkerheten så förebygger du sådana olyckor.

## VAR FÖRSIKTIG

### Angivna produkter

Följande produkter är föremål för ändring utan föregående meddelande, kan vara slut i lagret eller tagits ur sortimentet.

Vissa modeller säljs dessutom bara i vissa regioner.

LCD-TV i färg	KDL-26S30xx * KLV-26V300A
---------------	------------------------------

\* I aktuella modellnamn anger "xx" siffror och/eller tecken som är specifika för varje modell.

Det här väggfästet har konstruerats för de produkter som anges ovan.

Om du vill använda väggfästet för andra TV-apparater bör du först kontrollera de bruksanvisningar som medföljde apparaterna, för att se om väggfästet kan användas.

Vissa TV-apparater levereras med en broschyr som innehåller information om hur man installerar väggfästet ("Installera väggfästet").

## VARNING!

Om följande säkerhetsföreskrifter inte följs kan det leda till allvarliga personskador eller i värsta fall dödsfall, till följd av brand, elektrisk stöt eller av att produkten välter eller faller ned.

### Överlåt installationen till behörig personal och se till att små barn inte befinner sig i närheten när installationen utförs.

Om väggfästet eller TV-apparaten inte installeras korrekt kan det leda till följande olyckor. Se till att installationen utförs av behörig personal.

- TV-apparaten kan lossna och orsaka allvarliga skador som t ex skrapår eller ett benbrott.
- Om väggen där väggfästet monteras inte är jämn, stabil och lodrät, kan enheten falla ned och orsaka skador på person och/eller egendom. Väggen bör vara stark nog att bära en vikt på minst fyra gånger TV-apparatens (se din TV-apparats bruksanvisning för information om dess vikt).
- Om installationen av väggfästet inte utförs korrekt kan enheten lossna och orsaka skador på person och/eller egendom.



### Överlåt flyttning eller nedmontering av TV-apparaten till behöriga entreprenörer.

Om nedmontering och transport av TV-apparaten utförs av obehörig person, kan den falla ned och orsaka skador på person och/eller egendom.

### Se upp så att du inte spiller någon typ av vätska på TV-apparaten.

Om TV-apparaten blir våt kan det leda till brand eller elektrisk stöt.

### Ta inte bort några skruvar el.dyl. efter det att TV-apparaten har monterats.

Det kan leda till att TV-apparaten lossnar och orsakar skador på person och/eller egendom.

### Plocka inte isär eller modifiera väggfästets olika delar.

Då kan väggfästet lossna och orsaka skador på person och/eller egendom.

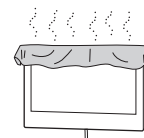


### Montera inte några andra enheter än den specificerade produkten.

Väggfästet är tillverkat enbart för den angivna produkten. Om du använder det för montering av andra produkter kan det lossna eller gå sönder och orsaka skador på person och egendom.

### Täck inte för ventilationshålen på TV-apparaten.

Om du täcker över ventilationshålet (med tyg eller liknande) kan enheten överhettas och orsaka brand.



### Utsätt inte väggfästet för någon annan belastning än den från TV-apparaten.

Det kan leda till att TV-apparaten faller ned och orsakar skador på person och/eller egendom.



### Luta dig inte mot eller häng i TV-apparaten.

Luta dig inte mot eller häng i TV-apparaten eftersom du då riskerar att få den över dig med allvarliga personskador som följd.



### Utsätt inte TV-apparaten för regn eller fukt.

Det kan leda till brand eller elektrisk stöt.

### Placera aldrig TV-apparaten i varma eller fuktiga miljöer eller där det är väldigt dammigt och placera den inte heller där den utsätts för mekaniska vibrationer.

Det kan leda till brand eller elektrisk stöt.

### Håll brandfarliga föremål och öppna lågor (t.ex. stearinljus) borta från TV-apparaten.

Du förebygger brand genom att hålla brandfarliga föremål och öppen eld (t.ex. stearinljus) borta från TV-apparaten.

## VAR FÖRSIKTIG

Om du inte följer följande säkerhetsföreskrifter finns det risk för personskador eller skador på egendom.

### Installera inte väggfästet på en vägg där TV-apparatens hörn eller sidor sticker ut från väggen.

Installera inte väggfästet på ytor, t.ex. en pelare, där TV-apparatens hörn eller sidor sticker ut från väggytan. Om en person eller något föremål råkar slå emot utskjutande delar av TV-apparaten kan det orsaka skador på person och/eller egendom.



### Hantera enheten försiktigt när du rengör den eller utför underhåll.

Tyng inte onödigt mycket på TV-apparatens översida. Det kan leda till att TV-apparaten lossnar och orsakar skador på person och/eller egendom.

### Installera inte TV-apparaten över eller under en luftkonditioneringsanläggning.

Om TV-apparaten utsätts för vattenläckor eller luftflödet från en luftkonditionering under en längre tid, finns det risk för brand, elektriska stötar eller funktionsstörningar hos TV-apparaten.

## Försiktighetsåtgärder

- Om du använder TV-apparaten monterad på väggfästet under en längre tid, finns det risk att väggen ovanför eller bakom TV-apparaten missfärgas eller att tapeten lossnar, beroende på väggmaterialet.
- Om du tar bort väggfästet från väggen efter installationen finns skruvhålen kvar i väggen.
- Om du har dragit matarkablar på 300 ohm i väggen rekommenderas du att byta ut dem mot en koaxialkabel på 75 ohm. Om du måste använda matarkablar på 300 ohm måste du se till att det finns tillräckligt utrymme mellan TV-apparaten och matarkablarna i väggen innan du utför installationen. Kontakta den behöriga montör som du tänker anlita och rådgör om en passande monteringsyta (fri från radiostörningar och liknande) innan installationen påbörjas.

## Installera väggfästet

### För Sony-återförsäljare

#### VARNING

##### Till kunder

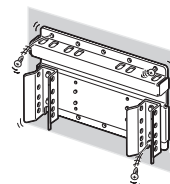
Installationen av denna produkt kräver att du har tillräckliga kunskaper. Se till att anlita en Sony-återförsäljare eller en behörig montör för att utföra installationen och var särskilt noggrann med säkerheten under installationen.

##### För Sony-återförsäljare

Följande instruktioner gäller bara för Sony-återförsäljare. Läs ovanstående säkerhetsföreskrifter noga och släpp aldrig tanken på säkerheten, vare sig under installation, underhåll eller kontroll av den här produkten.

### Följ instruktionerna i den här bruksanvisningen noga så att monteringen av väggfästet uppfyller säkerhetskraven.

Om någon av skruvarna sitter löst eller lossnar helt kan väggfästet lossna och orsaka skador på person och/eller egendom. Se till att du använder rätt skruv för väggmaterialet och skruva fast enheten ordentligt med fyra eller fler 6 mm-skruvar (eller motsvarande).



**Följ anvisningarna i den här bruksanvisningen så att de medföljande skruvarna och monteringsdetaljerna blir använda på rätt sätt. Om du använder andra monteringsdetaljer än de som följer med, kan TV-apparaten falla ned och orsaka personskador eller skador på TV-apparaten.**

### Se till att fästet monteras ihop korrekt enligt instruktionerna i bruksanvisningen.

Om någon av skruvarna sitter löst eller lossnat helt, kan TV-apparaten lossna och orsaka personskador eller skador på TV-apparaten.

## Fäst och dra åt skruvarna på den plats där de är avsedda att sitta.

Om detta inte sker kan TV-apparaten falla ned och orsaka personskador eller skador på TV-apparaten.

## Utsätt inte TV-apparaten för stötar under installationen.

Om TV-apparaten utsätts för stötar kan den falla ned eller gå sönder. Det kan orsaka personskador.

## Väggen där TV-apparaten placeras ska vara slät och lodrät.

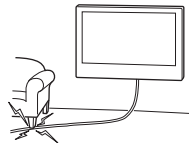
Annars kan TV-apparaten falla ned och orsaka personskador.

## När TV-apparaten har installerats på rätt sätt fäster du kablarna ordentligt.

Om personer eller föremål trasslar in sig i kablarna kan det orsaka personskador eller skador på TV-apparaten.

## Se till att inte nätkabeln eller anslutningskabeln kommer i kläm.

Om nätkabeln eller anslutningskabeln kläms mellan enheten och väggen, eller böjs och vrids med våld, kan de inre ledarna i kablarna friläggas, vilket kan leda till kortslutning eller strömavbrott. Det kan i sin tur leda till brand eller elektrisk stöt.



## Se upp så att du inte skadar händer eller fingrar när du utför installationen.

Var försiktig när du arbetar så att du inte skadar händer eller fingrar när du installerar väggfästet eller TV-apparaten.

## Skruvarna som behövs för att skruva fast väggfästet på väggen medföljer ej.

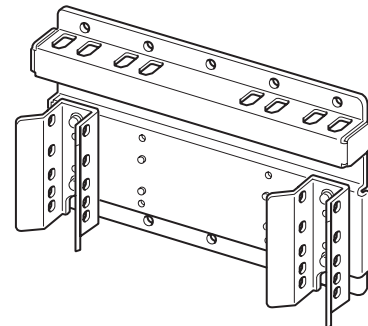
Skruva fast väggfästet med skruvar som är avpassade efter väggmaterialet och väggens struktur.

### Före installationen

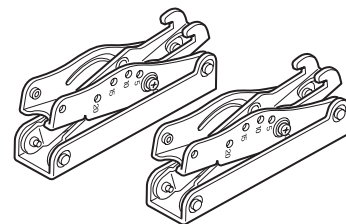
Om du avser att montera en TV-apparat som inte finns angiven på sidan 2, bör du läsa broschyren "Installera väggfästet" som levererades tillsammans med din TV.

## Steg 1: Kontrollera de delar som krävs för installationen

- 1 Ta fram fyra eller fler 6 mm-skruvar eller motsvarande (medföljer ej) och en skruvmejsel. Välj skruvar som är lämpliga för väggmaterialet.
- 2 Öppna förpackningen och kontrollera att alla nedanstående delar finns med.



Bottenplatta (1)



Monteringsfäste (2)



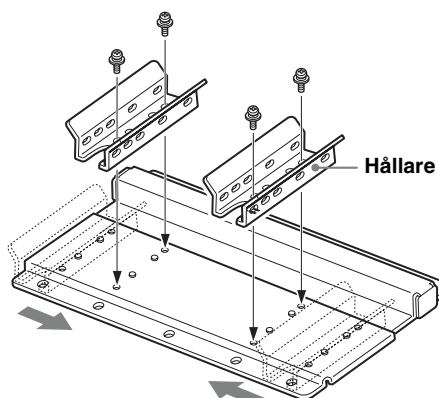
Skruv (+PSW4 x 12) (6)

## Steg 2: Justering av hållarnas position på bottenplattan

1

TV-skärmens storlek	Procedur
26 tum	Detta förfarande är inte nödvändigt.
20 tum	Följ detta förfarande.
Övrigt	Se foldern som följde med TV:n.

- Lossa de skruvar som håller fast vänster och höger hållare i bottenplattan och flytta hållarna till den inre positionen.
- Dra åt hållarna ordentligt med hjälp av de skruvar som lossades i förra momentet 1.



### Obs!

- Om du använder en elektrisk skruvdragare ställer du vridmomentet på ungefär 1,5 N·m { 15 kgf·cm }.
- Kontrollera att de fyra skruvar som håller bottenplattan och hållarna på plats är ordentligt åtdragna.

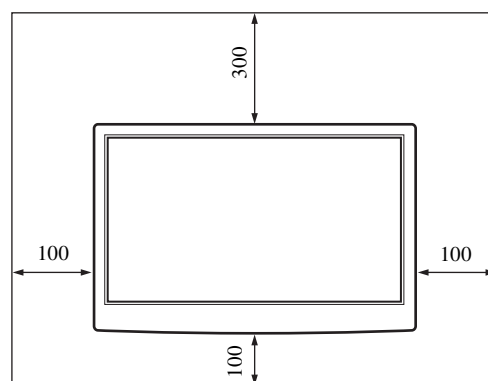
## Steg 3: Välja monteringsplats

1

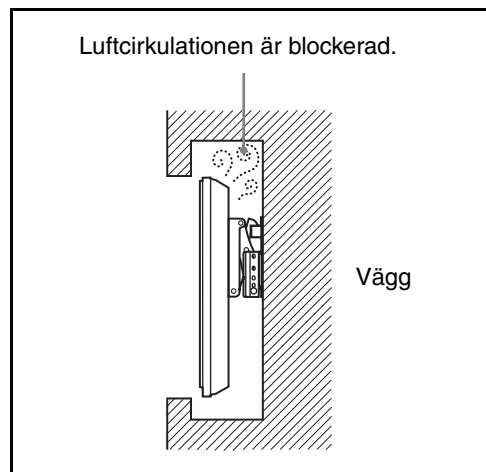
### Se Måttabell för TV-installation på sidan 12 för val av monteringsplats.

Se till att det finns ett tillräckligt stort mellanrum mellan TV-apparaten och taket och utskjutande delar av väggen enligt nedan.

Enhet: mm



Installera aldrig TV-apparaten som i bilden nedan:



### Obs!

Om du avser att dra kablarna i väggen ska ett hål för detta borrar i väggen innan installationen påbörjas.



## 2 Bestäm var skruvarna för montering av bottenplattan skall placeras med hjälp av måttscemat för väggmontering på sidan 13.

### VARNING!

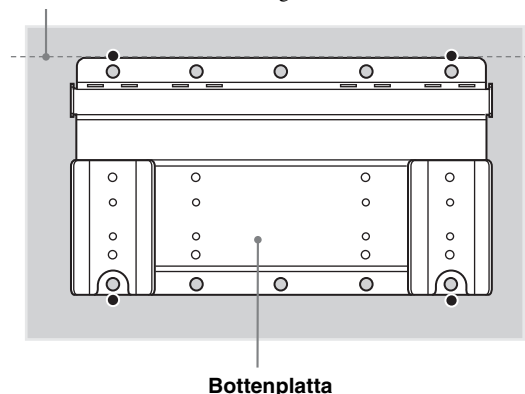
Den vägg som TV-apparaten ska monteras på måste vara stark nog att bära en vikt på minst **fyra gånger** TV-apparatens vikt (se din TV-apparats bruksanvisning för information om dess vikt). Försäkra dig om att väggen där TV-apparaten skall monteras är tillräckligt stark. Förstärk väggen ordentligt om så behövs.

## Steg 4: Montera bottenplattan på väggen

### 1 Säkra Bottenplattan mot väggen med minst fyra 6 mm-skruvar eller motsvarande (medföljer ej).

Välj fyra skruvhål med samma märkning som i bilden nedan ● och dra åt dem ordentligt så att de inte lossnar.

Rikta in enheten så att den är vågrät.



### VARNING!

- Skruvarna som ska användas i detta steg medföljer ej. Välj skruvar som är lämpliga för materialet och väggstrukturen.
- Om bottenplattan inte kan fästas tillräckligt bra ska fler skruvar användas.
- Var noga med att kontrollera att bottenplattan sitter fast ordentligt i väggen.

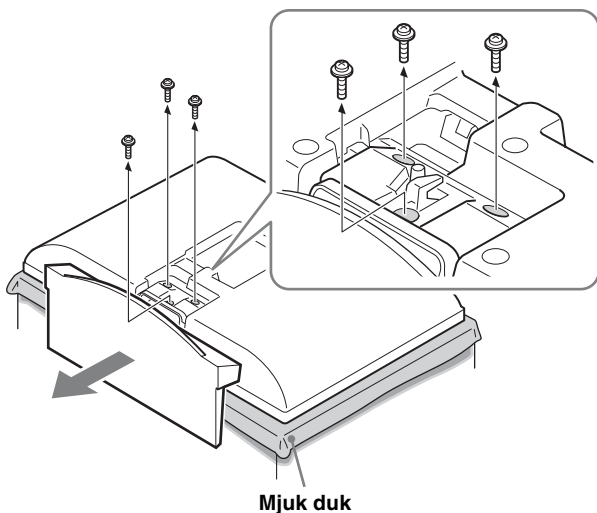
## Steg 5: Förberedelser för TV-installationen

Om du avser montera en annan TV-apparat än dem som finns angivna på sidan 2, bör du läsa broschyren "Installera väggfästet" som levererades tillsammans med din TV.

### 1 Lossa skruvarna på TV-apparatens baksida. Ta bort bordsstativet från TV-apparaten.

Placera TV-apparaten med skärmen vänd nedåt på en stadig arbetsyta som täcks med en mjuk duk.

För användare av följande TV-apparater:  
KDL-26S30xx \*/KLV-26V300A



\* I aktuella modellnamn anger "xx" siffror och/eller tecken som är specifika för varje modell.

#### Obs!

- Lägg bildskärmen nedåt på en stabil arbetsyta som är större än TV-apparaten när du avlägsnar bordsstativet från TV-apparaten.
- Placera en mjuk duk på arbetsytan så att inte LCD-skärmens yta skadas.

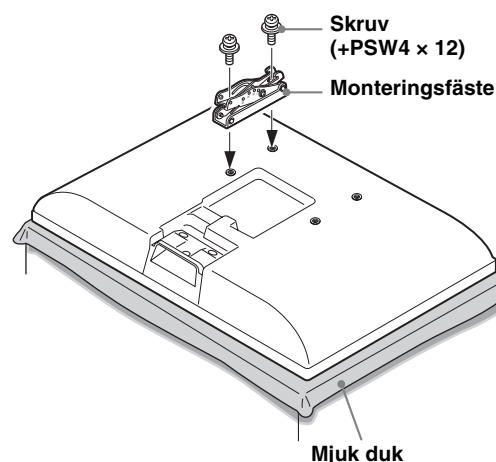
#### VAR FÖRSIKTIG

- Det kan hända att LCD-skärmen går sönder eller skadas om TV-apparatens yta utsätts för tryck eller stötar.
- Lägg skärmen vänd nedåt på en stabil och jämn yta med bordsstativet hängande över ytans kant. Om skärmen och bordsstativets basplatta är på samma yta skapas ostabila arbetsförhållanden och TV:n kan skadas.
- När bordsstativet lossas från TV:n ska du hålla i det med båda händerna.

Om du använder en elektrisk skruvdragare ställer du vridmomentet på ungefär 1,5 N·m {15 kgf·cm}. Lyft inte monteringskroken innan skruvarna (två skruvar vardera för vänster/höger) har skruvats fast. Detta kan störa monteringsfästet eller TV-chassiet.

### 2 Säkra monteringskroken från TV:ns vänstra sida på baksidan.

- 1 Säkra monteringskroken tillfälligt i TV:ns baksida med hjälp av de två medföljande skruvarna (+PSW4 × 12).
- 2 Se till att båda skruvarna dras åt ordentligt med samma moment på TV:ns baksida.



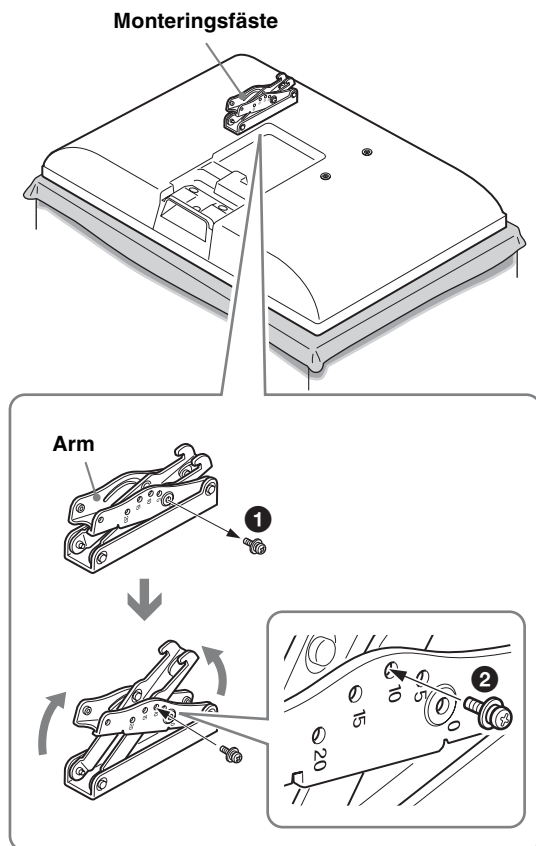
#### Obs!

- Om du monterar det högra monteringsfästet först, kommer det bli svårt att justera dess vinkel. Montera det vänstra monteringsfästet först.
- Se till att inga andra skruvar än de medföljande (+PSW4 × 12) används när monteringsfästet ska fästas.

### 3 Justering av monteringsfästets vinkel.

Om TV-apparaten monteras parallellt med väggen (0 graders lutning) behöver inte monteringsfästets vinkel (rutinerna 1 och 2 nedan) justeras.

- 1 Lossa skruven för justering av vinkeln från monteringsfästets arm. Välj skruvhål efter önskad vinkel (5, 10, 15 eller 20 grader).
- 2 Dra åt armen ordentligt med hjälp av den skruv som lossades i förra momentet 1.



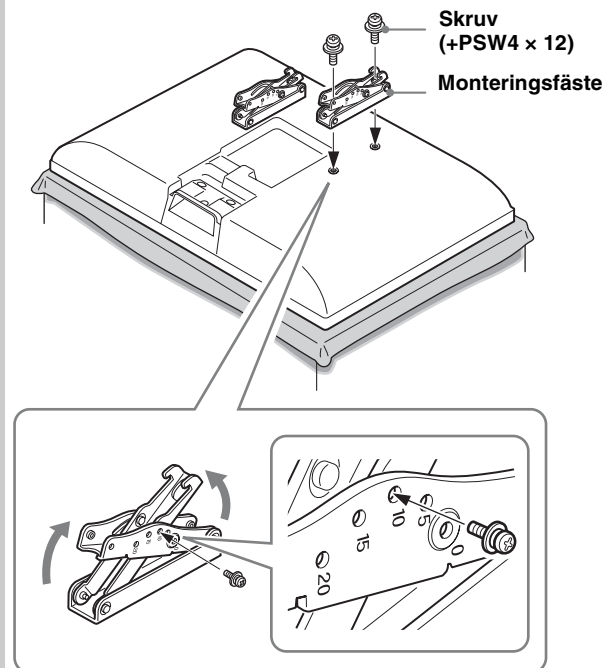
#### VAR FÖRSIKTIG

Se till att du inte klämmer fingrarna när du justerar vinkeln på monteringsfästet.

### 4 Säkra monteringskroken mot TV:ns högra sida på baksidan.

- 1 Säkra monteringskroken tillfälligt i TV:ns baksida med hjälp av de två medföljande skruvarna (+PSW4 × 12).
- 2 Se till att båda skruvarna dras åt ordentligt med samma moment på TV:ns baksida.

Om du justerade monteringsfästets vänstra vinkel, ska samma justering som under 3 i steg 5 ”Justering av monteringsfästets vinkel” utföras för den högra.



#### Obs!

- Se till att både höger och vänster arm får samma vinkel.
- Se till att båda armstöden är ordentligt fastskruvade.

## Steg 6: Installera TV:n på en vägg

Om du avser montera en annan TV-apparat än dem som finns angivna på sidan 2, bör du läsa broschyren "Installera väggfästet" som levererades tillsammans med din TV.

### WARNING!

Slutför installationen helt innan strömsladden ansluts till vägguttaget. Om nätsladden kläms under eller mellan utrustningens delar kan det leda till kortslutning eller en elektrisk stöt.

Var försiktig så att du inte snubblar över nätsladden eller TV-apparaten och skadar dig.

## 1 Anslut nätkabeln och anslutningskabeln/-kablarna som medföljde TV-apparaten, till TV-apparaten.

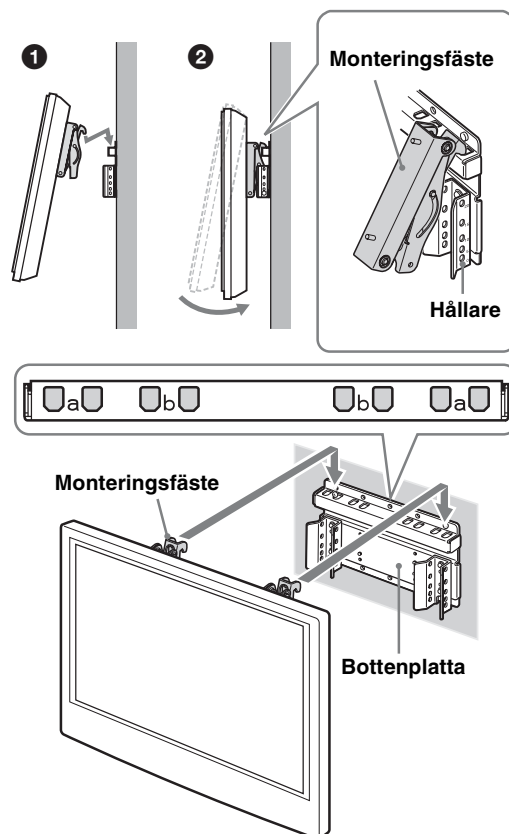
Anslut nätkabeln och anslutningskabeln/-kablarna till uttagen på TV-apparatens baksida. Mer information om hur man ansluter nätkabeln och anslutningskabeln/-kablarna finns i den bruksanvisning som medföljde TV-apparaten.

### Obs!

- Det går inte att ansluta kablarna till TV-apparaten efter att den installerats på bottenplattan.
- Anlita en behörig montör för att utföra kabeldragningen i väggen.

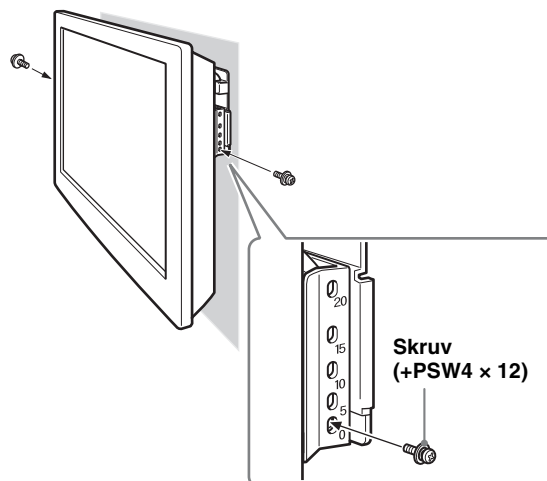
## 2 Installera TV-apparaten på bottenplattan.

- 1 Fäst med hjälp av diagrammet/tabellen för krokplatser på sidan 13 hålen för bottenplattan för ihakning av monteringskrokens övre krokar.
- 2 Håll TV-apparaten i ett ordentligt tag med båda händerna och rikta in den på väggen.



## 3 Montera TV:n och bottenplattan med de två medföljande skruvarna (+PSW4 × 12).

Dra åt skruven till samma vinkelmarkering som du justerade under 3 i steg 5.



### Obs!

Om du använder en elektrisk skruvdragare ställer du vridmomentet på ungefär 1,5 N·m {15 kgf·cm}.

### WARNING!

Dra åt både vänster och höger fästsruvar ordentligt. Annars kan TV-apparaten lossna när den trycks uppåt och orsaka personskador.

## Kontrollera att installationen har slutförts

### Kontrollera följande:

- Monteringsfästets hakar fästs ordentligt i bottenplattans hål.
- Att sladden och kabeln inte har vridits eller kommit i kläm.
- De två skruvarna som fäster monteringsfästet och bottenplattan dragits åt ordentligt.

### VARNING!

Justera inte monteringsfästets vinkel när TV:n sitter monterad på väggen och var noga med att den monteras korrekt. Annars kan det leda till att produkten lossnar och orsakar personsador och skador på produkten.

Dessutom kan felaktig placering av nätsladden och liknande felaktigheter leda till brand eller elektriska stötar till följd av en kortslutning.

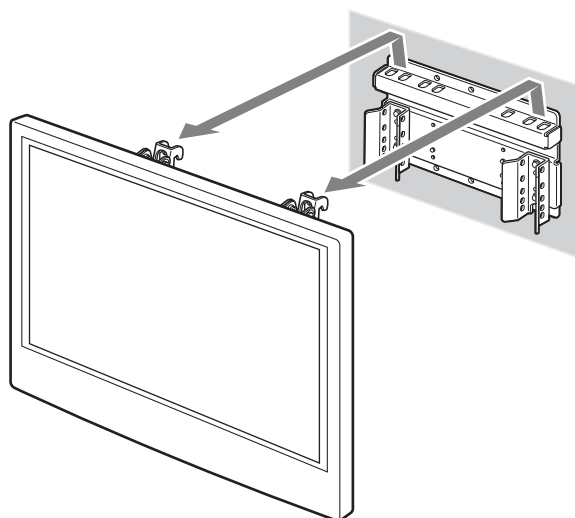
Av säkerhetsskäl är det viktigt att du kontrollerar att installationen har slutförts.

## Ta ned TV-apparaten

### För Sony-återförsäljare

- 1 Koppla bort nätkabeln från vägguttaget.**
- 2 Lossa de två skruvar som håller fast TV:n och bottenplattan. (Se 3 i steg 6 på sidan 10 för information om skruvarnas plats.)**

- 3 Håll i TV:n och för den uppåt för att avlägsna den.**



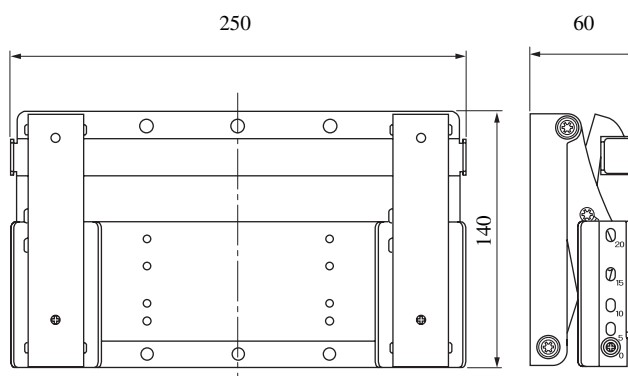
### VAR FÖRSIKTIG

- Var försiktig så att inte sladdarna och kablarna fastnar när du tar bort TV-apparaten.
- Var försiktig så att du inte skadar dina händer eller fingrar när du tar bort TV-apparaten.

## Specifikationer

Enhet: mm

Vikt: 1,2 kg

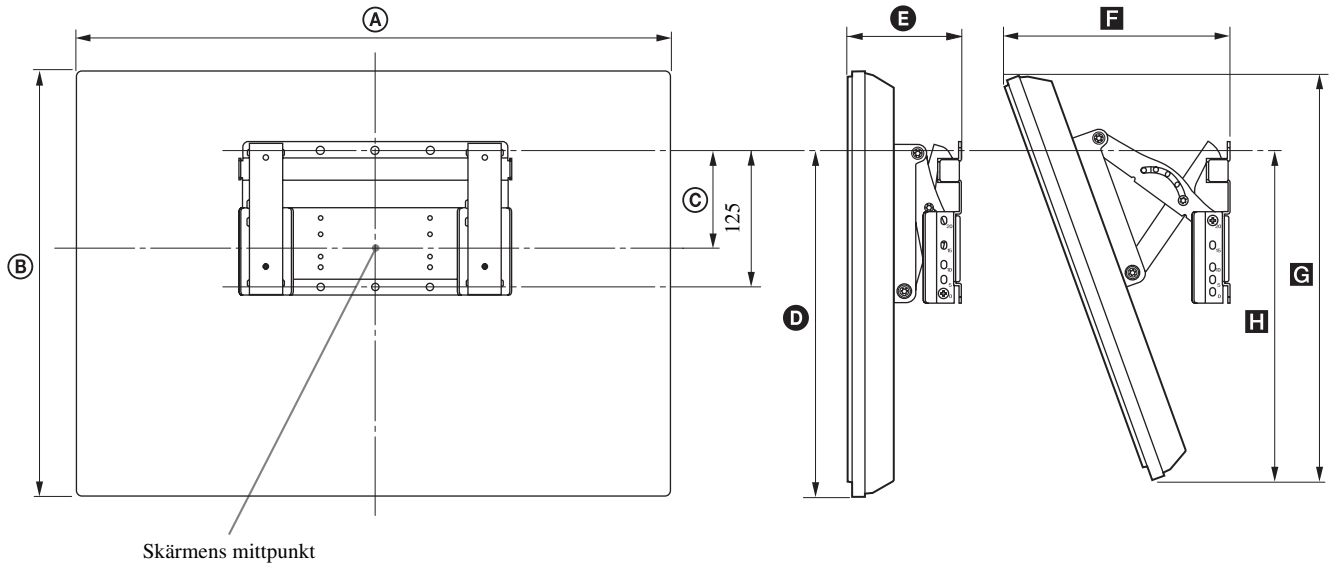


Design och specifikationer kan ändras utan föregående meddelande.

# Måttabell för TV-installation

Tabellen nedan visar måtten för den TV som är monterad på denna produkt. Använd denna tabell när du ska bestämma installationsplats.

Om du avser att montera en TV-apparat som inte finns angiven nedan, bör du läsa broschyren ”Installera väggfästet” som levererades tillsammans med din TV.



Enhet: mm

Modellbeteckning	Skärmmått		Skärmens mittdimension	Längd för respektive monteringsvinkel				
				Vinkel (0°)		Vinkel (20°)		
	A	B	C	D	E	F	G	H
KDL-26S30xx */KLV-26V300A	656	452	107	355	156	256	443	358

Det kan hända att vissa modeller inte finns tillgängliga i vissa regioner.  
Siffrorna i ovanstående tabell kan variera något beroende på installationen.

\* I aktuella modellnamn anger ”xx” siffror och/eller tecken som är specifika för varje modell.

## Obs!

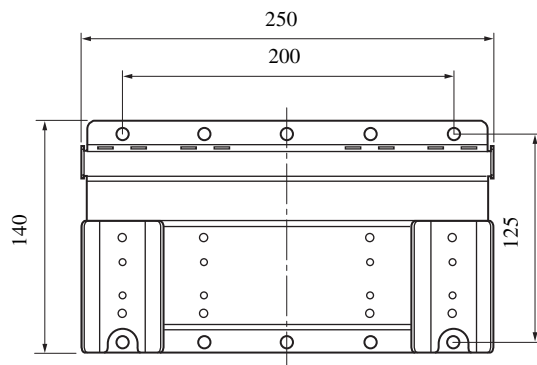
För den europeiska modellen av KDL-26S30xx avviker måtten från de mått som anges i ovanstående tabell. Se foldern som följde med TV:n.

## VARNING!

Den vägg som TV-apparaten monteras på måste vara stark nog att bära en vikt på minst fyra gånger TV-apparatens vikt. Se din TV-apparats bruksanvisning för information om dess vikt.

# Måttschema för väggmontering

Enhet: mm

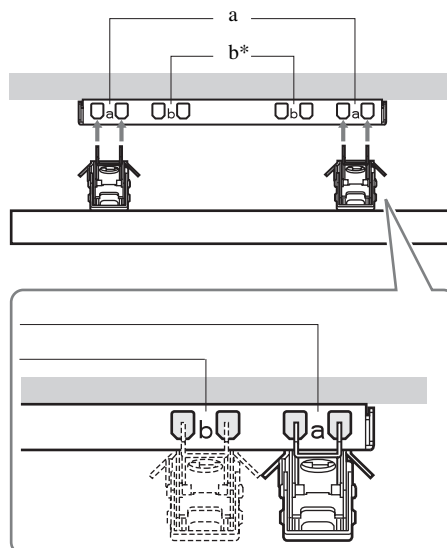


## Diagram/tabell för krokplatser

Modellbeteckning	Placering av hakar
KDL-26S30xx * KLV-26V300A	a

Det kan hända att vissa modeller inte finns tillgängliga i vissa regioner.

\* I aktuella modellnamn anger "xx" siffror och/eller tecken som är specifika för varje modell.



\* Kroken i position "b" kan inte användas för modellerna i den vänstra tabellen.





## Free Manuals Download Website

<http://myh66.com>

<http://usermanuals.us>

<http://www.somanuals.com>

<http://www.4manuals.cc>

<http://www.manual-lib.com>

<http://www.404manual.com>

<http://www.luxmanual.com>

<http://aubethermostatmanual.com>

Golf course search by state

<http://golfingnear.com>

Email search by domain

<http://emailbydomain.com>

Auto manuals search

<http://auto.somanuals.com>

TV manuals search

<http://tv.somanuals.com>