

SONY®

User guide

Smart Imaging Stand
IPT-DS10M

Contents

Smart Imaging Stand User guide.....	3
Introduction.....	4
Function overview.....	4
Hardware overview.....	4
Basics.....	5
Assembly.....	5
Batteries.....	5
Turning the Smart Imaging Stand on and off.....	6
Resetting the Smart Imaging Stand.....	6
Getting started.....	7
Installing necessary applications.....	7
Pairing your Smart Imaging Stand with an Android™ phone.....	7
Connecting your Smart Imaging Stand with an Android™ phone.....	8
Using your Smart Imaging Stand.....	10
Shooting photos and videos.....	10
Improving the accuracy of face recognition.....	10
Changing the smile detection sensitivity.....	11
Installing extension applications.....	11
Setting the preferred extension application.....	11
Legal information	12

Smart Imaging Stand User guide



Introduction

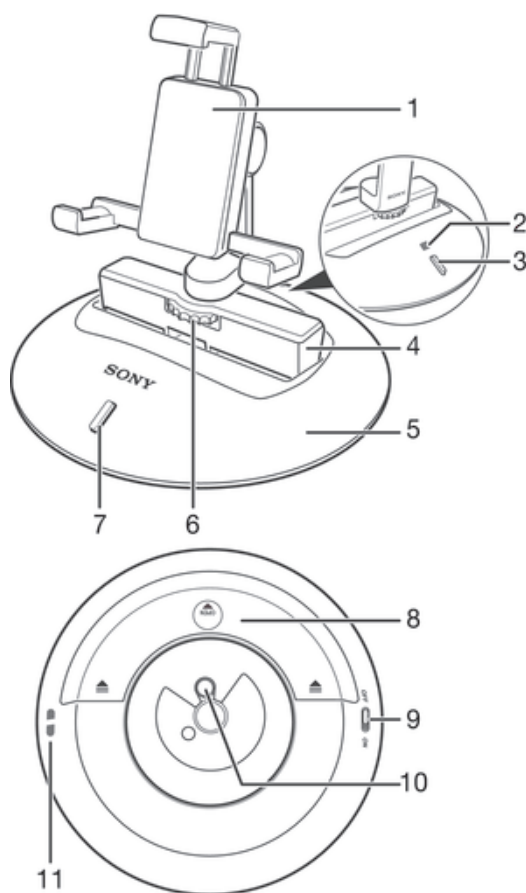
Function overview

The IPT-DS10M Smart Imaging Stand is designed to make life more convenient for you when you're shooting photos and videos with the camera of your Android™ phone. The IPT-DS10M stand lets you automatically pan your phone camera clockwise or anti-clockwise and tilt it forwards or backwards in one smooth motion.

The stand works together with your phone so that the camera can follow a particular person's face and shoot a photo of that face when a smile gets detected. You can also get the video recorder to follow and record a particular person's face. You can add more even more functions by downloading extra applications for your Smart Imaging Stand.

- ! For the above described functionality to work, your phone must support Bluetooth® and have the Smart Connect application (version 5.4) and the Smart Imaging Stand application installed.

Hardware overview



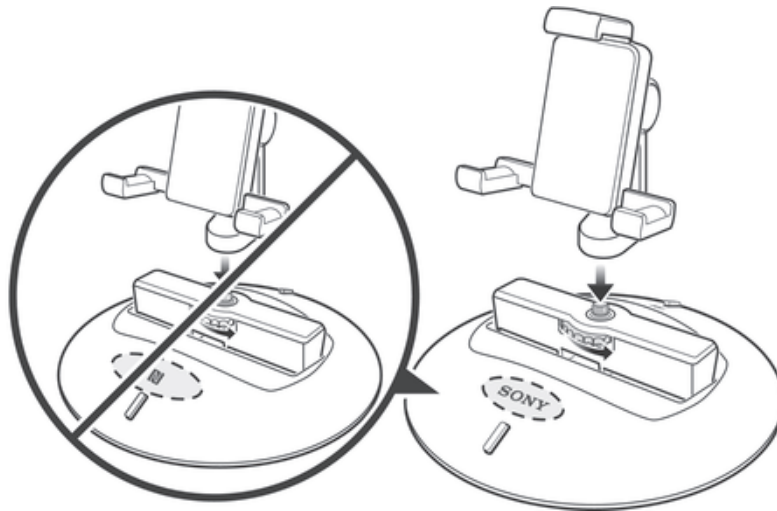
1	Phone holder	7	Power indicator
2	NFC detection area	8	Battery cover
3	Bluetooth® indicator / button	9	Power switch
4	Tilt arm	10	Tripod receptacle
5	Stand base	11	Anti-theft hole
6	Screw knob		

Basics

Assembly

Before using your Smart Imaging Stand for the first time, you must assemble it correctly.

To assemble your Smart Imaging Stand



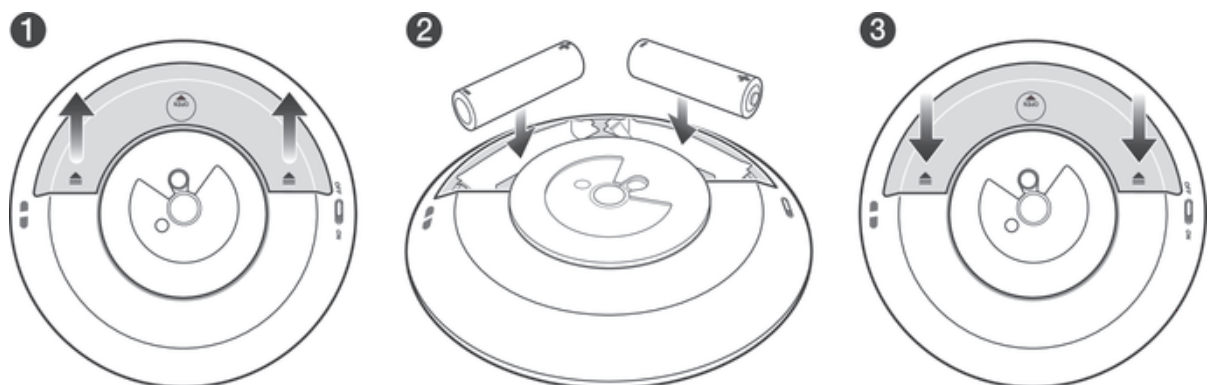
- Rotate the screw knob anticlockwise to fasten the phone holder onto the tilt arm.
- ! The phone holder must be mounted in such a way that it faces the power indicator.

Batteries

Your Smart Imaging Stand uses two AA batteries as its power source.

- ! You may need to purchase the batteries separately.

To insert the batteries



- 1 Press down on both sides of the battery cover and slide it outwards.
- 2 Insert the two AA batteries with the positive and negative ends facing in the direction indicated.
- 3 Slide the battery cover back into position.

Turning the Smart Imaging Stand on and off

To turn on the Smart Imaging Stand

- Slide the power switch to the ON position.

To turn off the Smart Imaging Stand

- Slide the power switch to the OFF position.

Resetting the Smart Imaging Stand

Reset the Smart Imaging Stand if it behaves unexpectedly. When you reset the device, all information about paired phones gets deleted.

To reset the Smart Imaging Stand

- 1 Make sure the Smart Imaging Stand is turned off.
- 2 Remove the batteries and then re-insert them.

Getting started

Installing necessary applications

For your Smart Imaging Stand to work with an Android™ phone, you must first install the Smart Connect application (version 5.4 or higher) and then install the Smart Imaging Stand application on the phone.

To install the Smart Connect application on an Android™ phone

- 1 Turn on the Smart Imaging Stand.
 - 2 **Android™ phone:** Make sure that the NFC function is turned on and that the screen is activated and unlocked.
 - 3 Place the phone over your Smart Imaging Stand so that the NFC detection area of each device touches the other.
 - 4 **Android™ phone:** Follow the instructions that appear on the screen.
- 💡 If your phone does not support NFC, you can download and install the Smart Connect application directly from the Google Play store.

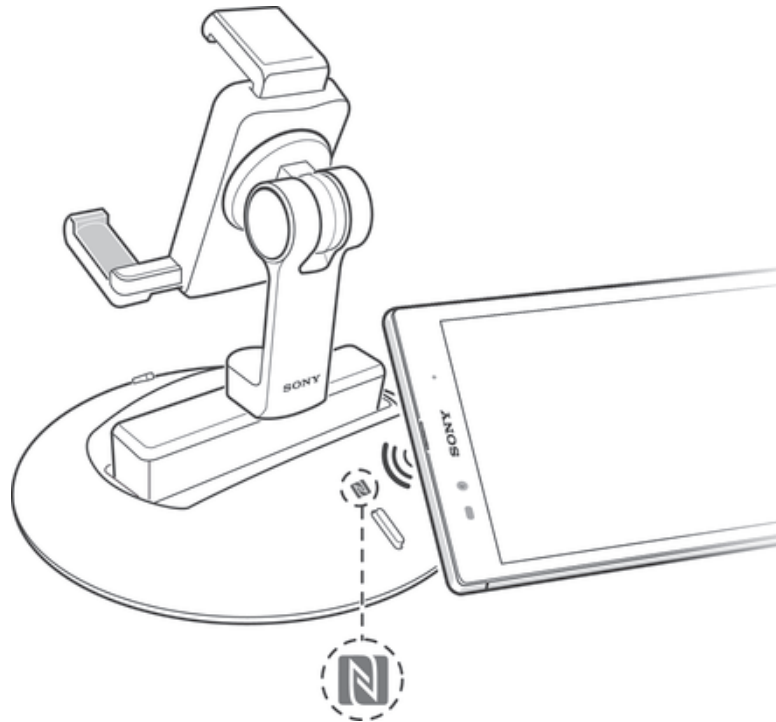
To install the Smart Imaging Stand application on an Android™ phone

- 1 Turn on the Smart Imaging Stand.
 - 2 Make sure the Smart Connect application is successfully installed on the phone.
 - 3 Make sure the phone screen is active and that the NFC function in the phone is turned on.
 - 4 Place the phone over the Smart Imaging Stand so that the NFC detection area of each device touches the other.
 - 5 Follow the instructions that appear on the phone screen.
- 💡 If your phone does not support NFC, you can download and install the Smart Imaging Stand application directly from the Google Play store.

Pairing your Smart Imaging Stand with an Android™ phone

After you install the necessary applications on an Android™ phone, you must pair your Smart Imaging Stand with the phone. Once the pairing is successful, you can then connect the Smart Imaging Stand with the phone and start using the two devices together. You can pair the two devices automatically (using NFC) or manually (using Bluetooth®).

To automatically pair the Smart Imaging Stand with an Android™ phone



- 1 Turn on the Smart Imaging Stand.
 - 2 Make sure the Smart Connect application and the Smart Imaging Stand application are successfully installed on the phone.
 - 3 Make sure the phone screen is active and that the NFC function in the phone is turned on.
 - 4 Place the phone over the Smart Imaging Stand so that the NFC detection area of each device touches the other.
 - 5 Follow the instructions that appear on the phone screen.
- ! In step 5, please ignore the request to verify the Bluetooth passkey on the Smart Imaging Stand, and just tap the Pair button.

To manually pair the Smart Imaging Stand with an Android™ phone

- 1 Turn on the Smart Imaging Stand, then press and hold down the Bluetooth® button until it blinks rapidly.
 - 2 **Android™ phone:** Make sure the Smart Connect application and the Smart Imaging Stand application are successfully installed.
 - 3 Turn on Bluetooth®, then scan for nearby devices and select **Smart Imaging Stand** in the list of available devices.
 - 4 Follow the instructions that appear on the screen.
- ! In step 4, please ignore the request to verify the Bluetooth passkey on the Smart Imaging Stand, and just tap the Pair button.




Connecting your Smart Imaging Stand with an Android™ phone

After you install the necessary applications and successfully pair the Smart Imaging Stand with an Android™ phone, you are ready to connect the devices and start using them together. You can establish a connection between the two devices automatically (using NFC technology) or manually (using the Smart Connect application).

To automatically connect your Smart Imaging Stand with an Android™ phone

- 1 **Android™ phone:** Make sure the Bluetooth® function is turned on and that your Smart Imaging Stand is paired with the phone.
- 2 Place the phone over your Smart Imaging Stand so that the NFC detection area of each device touches the other. The Smart Imaging Stand now connects automatically to the Android phone.

To manually connect your Smart Imaging Stand with an Android™ phone

- 1 **Android™ phone:** Make sure the Bluetooth® function is turned on and that your Smart Imaging Stand is paired with the phone.
- 2 Open the Smart Connect application, then select **Smart Imaging Stand** in the device list.
- 3 Tap , then select **Smart Imaging Stand** in the list of paired devices. Once  changes to , your **Smart Imaging Stand** is connected to the phone.

Using your Smart Imaging Stand

Shooting photos and videos

After you connect the Smart Imaging Stand with an Android phone, you are ready to take photos and record videos.

To take a photo

- 1 Fasten the Android™ phone onto the phone holder so that the phone screen faces the power indicator.
 - 2 Connect your Smart Imaging Stand with the phone.
 - 3 If the Smile Catcher application does not open automatically, select **Smile Catcher** from the pop-up list.
 - 4 The phone camera automatically starts to locate and follow your face.
 - 5 Tap the photo capture button on the phone screen. The phone camera is ready to take a photo.
 - 6 Stay in a stable position and smile. The phone camera takes a photo of your face automatically when it detects a smile.
- ! Your phone camera captures a photo only when the target is stable and smiling.
 - ! After taking two photos of the same target person, the Smart Imaging Stand automatically stops following its target and searches for another target.
 - 💡 If you want the Smile Catcher application to always launch automatically in step 3, you can mark it as your preferred application in the Smart Imaging Stand application settings.

To record videos

- 1 Fasten the Android™ phone onto the phone holder so that the phone screen faces the power indicator.
 - 2 Connect your Smart Imaging Stand with the Android™ phone.
 - 3 If the Smile Catcher application does not open automatically, select **Smile Catcher** from the pop-up list.
 - 4 The phone camera automatically starts to locate and follow your face.
 - 5 Switch the phone camera to video mode, then tap the record button on the camera screen. The video camera now records and follows your face.
- 💡 If you want the Smile Catcher application to always launch automatically in step 3, you can mark it as your preferred application in the Smart Imaging Stand application settings.

To switch the camera target to another person



- 1 When the video or still camera is following you, wave your hand to the left or right.
 - 2 The Smart Imaging Stand rotates accordingly to locate and follow a different target, that is, a person to your left or right side.
- ! When waving your hand, make sure your hand is within view of the camera viewfinder.

Improving the accuracy of face recognition

The Smile Catcher application, which gets installed when you install the Smart Imaging Stand application, uses face recognition technology. The application may fail to operate as expected in conditions where it is difficult to recognise your face, for example, when you are in a dark environment or when you are wearing a scarf or headwear that partially covers your face.


When using the Smile Catcher application, you can take the following steps to improve the face recognition accuracy:

- Make sure there is sufficient light falling on your face.
- Make sure your phone camera lens is clear of any foreign matter.

Changing the smile detection sensitivity

You can adjust the sensitivity of the smile detection feature. For example, you can set the sensitivity so that only big smiles are detected and captured by the phone camera.

To adjust the smile detection sensitivity

- 1 When the Smile Catcher application is open, tap  on your phone screen.
- 2 Tap **Smile Shutter**, then select a sensitivity option.

Installing extension applications

In addition to the Smile Catcher application, which gets installed automatically with the Smart Imaging Stand application, you can install other extension applications that enable you to do more with your Smart Imaging Stand. For example, you can install the Smart Camera extension application and use a Smart Watch accessory to control the motion of the Smart Imaging Stand.




To install extension applications

- 1 **Android™ phone:** Open the Smart Connect application, then select **Smart Imaging Stand** in the Devices list.
- 2 Tap **Applications**, then tap **Search for applications**.
- 3 Follow the instructions that appear on the screen.

Setting the preferred extension application

If you have more than one extension application installed on the Android™ phone, you can set one of them as the preferred application so that it launches automatically when the Smart Imaging Stand connects to the Android™ phone.

To set the preferred extension application

- 1 **Android™ phone:** Open the Smart Connect application, then select **Smart Imaging Stand** in the devices list.
- 2 Tap **Applications**, then tap  beside the preferred application so that  changes to .

Legal information

Sony IPT-DS10M



Prior to use, please read the *Important information* leaflet separately provided.

This User guide is published by Sony Mobile Communications AB or its local affiliated company, without any warranty. Improvements and changes to this User guide necessitated by typographical errors, inaccuracies of current information, or improvements to programs and/or equipment, may be made by Sony Mobile Communications AB at any time and without notice. Such changes will, however, be incorporated into new editions of this User guide.

All rights reserved.

©2013 Sony Mobile Communications AB.

Publication number: 1277-5566.1

Interoperability and compatibility among Bluetooth® devices varies. Device generally supports products utilizing Bluetooth spec. 1.2 or higher, and Headset or Handsfree profile.

Sony is the trademark or registered trademark of Sony Corporation. Bluetooth is the trademark of the Bluetooth (SIG) Inc. and is used under license. All other marks are the property of their respective owners. All rights reserved.

All product and company names mentioned herein are the trademarks or registered trademarks of their respective owners. Any rights not expressly granted herein are reserved. All other trademarks are property of their respective owners.

Visit www.sonymobile.com for more information.

All illustrations are for illustration only and may not accurately depict the actual accessory.

FCC Statement

This device complies with Part 15 of the FCC rules. Operation is subject to the following two conditions: (1) This device may not cause harmful interference, and (2) This device must accept any interference received, including interference that may cause undesired operation.



Any change or modification not expressly approved by Sony may void the user's authority to operate the equipment.

This equipment has been tested and found to comply with the limits for a Class B digital device, pursuant to Part 15 of the FCC Rules. These limits are designed to provide reasonable protection against harmful interference in a residential installation. This equipment generates, uses and can radiate radio frequency energy and, if not installed and used in accordance with the instructions, may cause harmful interference to radio communications. However, there is no guarantee that interference will not occur in a particular installation.

If this equipment does cause harmful interference to radio or television reception, which can be determined by turning the equipment off and on, the user is encouraged to try to correct the interference by one or more of the following measures:

- Reorient or relocate the receiving antenna.
- Increase the separation between the equipment and receiver.
- Connect the equipment into an outlet on a circuit different from that to which the receiver is connected.
- Consult the dealer or an experienced radio/TV technician for help.

Industry Canada Statement

This device complies with RSS-210 of Industry Canada.

Operation is subject to the following two conditions: (1) this device may not cause interference, and (2) this device must accept any interference, including interference that may cause undesired operation of the device.

This Class B digital apparatus complies with Canadian ICES-003.

Cet appareil numérique de la classe B est conforme à la norme NMB-003 du Canada.

Free Manuals Download Website

<http://myh66.com>

<http://usermanuals.us>

<http://www.somanuals.com>

<http://www.4manuals.cc>

<http://www.manual-lib.com>

<http://www.404manual.com>

<http://www.luxmanual.com>

<http://aubethermostatmanual.com>

Golf course search by state

<http://golfingnear.com>

Email search by domain

<http://emailbydomain.com>

Auto manuals search

<http://auto.somanuals.com>

TV manuals search

<http://tv.somanuals.com>