

NWZ-X1050/X1051/ X1060/X1061

SERVICE MANUAL

Ver. 1.0 2009.05



Photo: NWZ-X1050

Note:

Be sure to keep your PC used for service and checking of this unit always updated with the latest version of your anti-virus software. In case a virus affected unit was found during service, contact your Service Headquarters.

US Model
NWZ-X1051/X1061
Canadian Model
Taiwan Model
NWZ-X1060
AEP Model
UK Model
E Model
Australian Model
Chinese Model
Tourist Model
NWZ-X1050/X1060

SPECIFICATIONS

Supported file format

| Music (Includes podcasts) | | |
|---------------------------|---------------------------------|---|
| Audio Formats (Codec) | MP3 | Media File format: MP3 (MPEG-1 Layer 3) file format File extension: .mp3 Bit rate: 32 to 320 kbps (Supports variable bit rate (VBR)) Sampling frequency*: 32, 44.1, 48 kHz |
| | WMA | Media File format: ASF file format File extension: .wma Bit rate: 32 to 192 kbps (Supports variable bit rate (VBR)) Sampling frequency*: 44.1 kHz Compatible with WM-DRM 10 |
| | AAC-LC*2 | Media File format: MP4 file format File extension: .mp4, .m4a, .3gp Bit rate: 16 to 320 kbps (Supports variable bit rate (VBR))*3 Sampling frequency*: 8, 11.025, 12, 16, 22.05, 24, 32, 44.1, 48 kHz |
| | Linear PCM | Media File format: Wave-Riff file format File extension: .wav Bit rate: 1,411 kbps Sampling frequency*: 44.1 kHz |
| Video (Includes podcasts) | | |
| Video Formats (Codec) | AVC (H.264/AVC) | Media File format: MP4 file format, "Memory Stick" video format File extension: .mp4, .m4v Profile: Baseline Profile Level: Up to 1.3 Bit rate: Max. 768 kbps Frame rate: Max. 30 fps Resolution: Max. QVGA (320 × 240) |
| | MPEG-4 | Media File format: MP4 file format, "Memory Stick" video format File extension: .mp4, .m4v Profile: Simple Profile Bit rate: Max. 2,500 kbps Frame rate: Max. 30 fps Resolution: Max. QVGA (320 × 240) |
| | Windows Media Video 9 | Media File format: ASF file format File extension: .wmv Profile: VC1 simple profile, main profile Bit rate: Simple profile Max. 1,700 kbps, main profile Max. 5,000 kbps Frame rate: Max. 30 fps Resolution: Simple profile Max. 480 × 270, main profile Max. QVGA (320 × 240) |
| Audio Formats (Codec) | AAC-LC (for AVC, MPEG-4) | Channel number: Max. 2 channels Sampling frequency*: 24, 32, 44.1, 48 kHz Bit rate: Max. 288 kbps / channel |
| | WMA (for Windows Media Video 9) | Bit rate: 32 to 192 kbps (Supports variable bit rate (VBR)) Sampling frequency*: 44.1 kHz |
| File size | Max. 2 GB | |
| The number of files | Max. 2,000 | |

| Photo*4 | | |
|----------------------|-------------|--|
| Photo Format (Codec) | JPEG | Media File format: Compatible with DCF 2.0/Exif 2.21 file format File extension: .jpg Profile: Baseline Profile Number of pixels: Max. 4,096 × 4,096 pixels |
| The number of files | Max. 20,000 | |

| Podcast*5 | |
|---------------------|-------------|
| The number of files | Max. 20,000 |

*1 Sampling frequency may not correspond to all encoders.
*2 Copyright protected files cannot be played back.
*3 Non-standard bit rates or non-guaranteed bit rates are included depending on the sampling frequency.
*4 Some photo files cannot be played back, depending on their file formats.
*5 Photo contents are not supported.

Maximum recordable number of songs and time (Approx.)

The approximate times are based on the case in which you transfer or record only 4 minutes songs (not including videos and photos) in the MP3 format. Other playable audio file format song numbers and times may differ from the MP3 format.

| Bit rate | NWZ-X1050 | | NWZ-X1060 | |
|----------|-----------|-----------------|-----------|-------------------|
| | Songs | Time | Songs | Time |
| 48 kbps | 10,350 | 690 hr. 00 min. | 21,000 | 1,400 hr. 00 min. |
| 64 kbps | 7,750 | 516 hr. 00 min. | 15,650 | 1,042 hr. 20 min. |
| 128 kbps | 3,850 | 256 hr. 00 min. | 7,800 | 520 hr. 00 min. |
| 256 kbps | 1,900 | 130 hr. 00 min. | 3,900 | 260 hr. 00 min. |
| 320 kbps | 1,550 | 102 hr. 20 min. | 3,150 | 210 hr. 00 min. |

Maximum recordable time of videos (Approx.)

The approximate recordable times are estimated in the case where only videos are transferred. The time may differ, depending on the conditions under which the player is used.

| Bit rate*1 | NWZ-X1050 | | NWZ-X1060 | |
|------------|----------------|-----------------|-----------|------|
| | Time | Time | Time | Time |
| 384 kbps | 61 hr. 00 min. | 124 hr. 30 min. | | |
| 768 kbps | 35 hr. 00 min. | 71 hr. 00 min. | | |

*1 Bit rate of video. Bit rate of Audio is 128 kbps.

– Continued on next page –

DIGITAL MEDIA PLAYER

SONY®

9-889-490-01 Sony Corporation
2009E05-1 Audio&Video Business Group
© 2009.05 Published by Sony Techno Create Corporation

NWZ-X1050/X1051/X1060/X1061

Maximum recordable number of photos that can be transferred (Approx.)

Max. 20,000
Recordable number of photos may be less depending on file sizes.

Capacity (User available capacity)¹

NWZ-X1050: 16 GB (Approx. 14.6 GB = 15,775,629,312 bytes)
NWZ-X1060: 32 GB (Approx. 29.6 GB = 31,871,533,056 bytes)

¹ Available storage capacity of the player may vary.
A portion of the memory is used for data management functions.

Output (headphones)

Frequency response
20 to 20,000 Hz (when playing 44.1 kHz sampling data file, single signal measurement)

Total Noise Suppression Ratio¹

Approx. 17 dB²

¹ Under the Sony measurement standard.

² Equivalent to approx. 98.0% reduction of energy of sound compared with not wearing headphones. (NC Environment: Airplane)

FM radio

FM Frequency range
87.5 to 108.0 MHz

IF (FM)

128 kHz

Antenna

Headphone cord antenna

Wireless LAN

Standards: IEEE 802.11b/g

Communication range¹:
Approximately 50 m (160 ft)

Modulation format:

DSSS (IEEE 802.11b compliant), OFDM (IEEE 802.11g compliant)

Security: WEP/WPA/WPA2

¹ Communication range may vary depending on the operating conditions or settings.

Interface

Headphone: Stereo mini-jack

WM-PORT (multiple connecting terminal): 22 pins

Hi-Speed USB (USB 2.0 compliant)

Operating temperature

5 °C to 35 °C (41 °F to 95 °F)

Power source

- Built-in rechargeable lithium-ion battery
- USB power (from a computer via the supplied USB cable)

Charging time

USB-based charging

Approx. 3 hours (full charge), Approx. 1.5 hours (approx. 80 %)

Battery life (continuous playback)

By setting as follows, a longer battery life can be expected.

The times below are approximated when "Equalizer", "VPT (Surround)", "DSEE(Sound Enhance)", "Clear Stereo", "Dynamic Normalizer", "WLAN function On/Off" are deactivated. Furthermore, for videos, the time approximated when the brightness of the screen is set to "3."

The time below may differ depending on ambient temperature or the status of use.

| | With Noise Canceling function deactivated | With Noise Canceling function activated |
|-------------------------------------|---|---|
| Music | | |
| Playback at MP3 128 kbps | Approximately 33 hours | Approximately 21.5 hours |
| Playback at WMA 128 kbps | Approximately 31 hours | Approximately 21.5 hours |
| Playback at AAC-LC 128 kbps | Approximately 29 hours | Approximately 20.5 hours |
| Playback at Linear PCM 1,411 kbps | Approximately 31 hours | Approximately 21.5 hours |
| Video | | |
| Playback at MPEG-4 768 kbps | Approximately 7.5 hours | Approximately 6.5 hours |
| Playback at MPEG-4 384 kbps | Approximately 9.0 hours | Approximately 7.5 hours |
| Playback at AVC Baseline 768 kbps | Approximately 7.5 hours | Approximately 6.5 hours |
| Playback at AVC Baseline 384 kbps | Approximately 8.0 hours | Approximately 7.5 hours |
| Wireless LAN | | |
| At Web browsing | Approximately 5.5 hours | Approximately 5.0 hours |
| At YouTube streaming | Approximately 4.5 hours | Approximately 4.0 hours |
| At receiving FM broadcasting | Approximately 17.5 hours | Approximately 14 hours |

Display

3-inch, OLED (Organic Light Emitting Diode) color display, WQVGA (432 × 240 pixels), 262,144 colors

Dimensions (w/h/d, projecting parts not included)

52 × 96.5 × 9.8 mm (2 1/8 × 3 7/8 × 13/32 inches)

Dimension (w/h/d)

52.5 × 97.4 × 10.5 mm (2 1/8 × 3 7/8 × 7/16 inches)

Mass

Approx. 98 g (Approx. 3.5 oz)

Supplied Accessories

- Headphones (1)
- USB cable (1)
- Earbuds (Size S, L) (1)
- Attachment (1)
 - Use when connecting the player to the optional cradle, etc.
- Audio input cable (1)
- Plug adaptor for in-flight use (single/dual) (1)
- CD-ROM^{1,2} (1)
 - Media Manager for WALKMAN³
 - Windows Media Player 11
 - Content Transfer
 - Operation Guide (PDF file)
- Quick Start Guide (1)

¹ Do not attempt to play this CD-ROM in an audio CD player.

² Depending on the country/region in which you have purchased the player, the bundled software may be different.

³ Media Manager for WALKMAN is not bundled with the packages sold in the U.S.A.

Please download it from the following web site:
http://www.sonycreativesoftware.com/download/wmm_lite

Design and specifications are subject to change without notice.

- OpenMG, ATRAC, ATRAC3, ATRAC3plus, ATRAC Advanced Lossless and their logos are trademarks of Sony Corporation.
- "WALKMAN" and "WALKMAN" logo are registered trademarks of Sony Corporation.
- Microsoft, Windows, Windows Vista and Windows Media are trademarks or registered trademarks of Microsoft Corporation in the United States and/or other countries.
- **DSEE** and **CLEAR** are trademarks of Sony Corporation.
- Adobe and Adobe Reader are trademarks or registered trademarks of Adobe Systems Incorporated in the United States and/or other countries.
- Manufactured under license from Dolby Laboratories. Dolby and the double-D symbol are trademarks of Dolby Laboratories.
- MPEG Layer-3 audio coding technology and patents licensed from Fraunhofer IIS and Thomson.
- IBM and PC/AT are registered trademarks of International Business Machines Corporation.
- QuickTime and the QuickTime logo are trademarks or registered trademarks of Apple Inc., used under license therefrom.



- Pentium is a trademark or a registered trademark of Intel Corporation.
- YouTube and the YouTube logo are trademarks of Google Inc.
- Yahoo! and the Yahoo! logo are trademarks of Yahoo! Inc.
- Wi-Fi, the Wi-Fi CERTIFIED logo, WPA, WPA2 and Wi-Fi Protected Setup are trademarks or registered trademarks of Wi-Fi Alliance.
- This product contains NetFront Browser of ACCESS CO., LTD.

NetFront™

- ACCESS, ACCESS logo and NetFront are registered trademarks or trademarks of ACCESS CO., LTD. in the United States, Japan and/or other countries.
- ©2007 ACCESS CO., LTD. All rights reserved.

- This software is based in part on the work of the Independent JPEG Group.
- THIS PRODUCT IS LICENSED UNDER THE MPEG-4 VISUAL PATENT PORTFOLIO LICENSE FOR THE PERSONAL AND NON-COMMERCIAL USE OF A CONSUMER FOR

- ENCODING VIDEO IN COMPLIANCE WITH THE MPEG-4 VISUAL STANDARD ("MPEG-4 VIDEO") AND/OR
- DECODING MPEG-4 VIDEO THAT WAS ENCODED BY A CONSUMER ENGAGED IN A PERSONAL AND NON-COMMERCIAL ACTIVITY AND/OR WAS OBTAINED FROM A VIDEO PROVIDER LICENSED BY MPEG LA TO PROVIDE MPEG-4 VIDEO. NO LICENSE IS GRANTED OR SHALL BE IMPLIED FOR ANY OTHER USE. ADDITIONAL INFORMATION INCLUDING THAT RELATING TO PROMOTIONAL, INTERNAL AND COMMERCIAL USES AND LICENSING MAY BE OBTAINED FROM MPEG LA, L.L.C. SEE [HTTP://WWW.MPEGLA.COM](http://www.mpegla.com)

- THIS PRODUCT IS LICENSED UNDER THE AVC PATENT PORTFOLIO LICENSE FOR THE PERSONAL AND NON-COMMERCIAL USE OF A CONSUMER TO

- ENCODE VIDEO IN COMPLIANCE WITH THE AVC STANDARD ("AVC VIDEO") AND/OR
- DECODE AVC VIDEO THAT WAS ENCODED BY A CONSUMER ENGAGED IN A PERSONAL AND NON-COMMERCIAL ACTIVITY AND/OR WAS OBTAINED FROM A VIDEO PROVIDER LICENSED TO PROVIDE AVC VIDEO. NO LICENSE IS GRANTED OR SHALL BE IMPLIED FOR ANY OTHER USE. ADDITIONAL INFORMATION MAY BE OBTAINED FROM MPEG LA, L.L.C. SEE [HTTP://MPEGLA.COM](http://mpegla.com)

- THIS PRODUCT IS LICENSED UNDER THE VC-1 PATENT PORTFOLIO LICENSE FOR THE PERSONAL AND NON-COMMERCIAL USE OF A CONSUMER TO

- ENCODE VIDEO IN COMPLIANCE WITH THE VC-1 STANDARD ("VC-1 VIDEO") AND/OR
- DECODE VC-1 VIDEO THAT WAS ENCODED BY A CONSUMER ENGAGED IN A PERSONAL AND NON-COMMERCIAL ACTIVITY AND/OR WAS OBTAINED FROM A VIDEO PROVIDER LICENSED TO PROVIDE VC-1 VIDEO. NO LICENSE IS GRANTED OR SHALL BE IMPLIED FOR ANY OTHER USE. ADDITIONAL INFORMATION MAY BE OBTAINED FROM MPEG LA, L.L.C. SEE [HTTP://WWW.MPEGLA.COM](http://www.mpegla.com)

- All other trademarks and registered trademarks are trademarks or registered trademarks of their respective holders. In this manual,™ and ® marks are not specified.

This product is protected by certain intellectual property rights of Microsoft Corporation. Use or distribution of such technology outside of this product is prohibited without a license from Microsoft or an authorized Microsoft subsidiary.

Content providers are using the digital rights management technology for Windows Media contained in this device ("WM-DRM") to protect the integrity of their content ("Secure Content") so that their intellectual property, including copyright, in such content is not misappropriated.

This device uses WM-DRM software to play Secure Content ("WM-DRM Software"). If the security of the WM-DRM Software in this device has been compromised, owners of Secure Content ("Secure Content Owners") may request that Microsoft revoke the WM-DRM Software's right to acquire new licenses to copy, display and/or play Secure Content. Revocation does not alter the WM-DRM Software's ability to play unprotected content. A list of revoked WM-DRM Software is sent to your device whenever you download a license for Secure Content from the Internet or from a PC. Microsoft may, in conjunction with such license, also download revocation lists onto your device on behalf of Secure Content Owners.

Program ©2009 Sony Corporation
Documentation ©2009 Sony Corporation

NWZ-X1050/X1051/X1060/X1061

SECTION 1

SERVICING NOTES

TABLE OF CONTENTS

| | |
|--|----|
| 1. SERVICING NOTES | 3 |
| 2. DISASSEMBLY | |
| 2-1. Disassembly Flow..... | 8 |
| 2-2. Panel (Rear) | 9 |
| 2-3. Hold Assy..... | 9 |
| 2-4. MAIN Board Assy (Including Battery Assy)..... | 10 |
| 2-5. Battery Assy (BATT1), MAIN Board..... | 10 |
| 2-6. 5pin HP Jack Assy (J001), Chassis Section | 11 |
| 2-7. Key Flexible Print Board (FFC1), Chassis | 12 |
| 2-8. EL Indicator Element (EL01) | 12 |
| 2-9. HOME KEY Board, Guard (Multi) | 13 |
| 2-10. Button (VOL), Knob (NC)..... | 13 |
| 2-11. Touch Panel module (TPM1), Frame..... | 14 |
| 3. TEST MODE | 15 |
| 4. DIAGRAMS | |
| 4-1. Schematic Diagram..... | 27 |
| 4-2. Printed Wiring Board | 28 |
| 5. EXPLODED VIEWS | |
| 5-1. Panel (Rear) Section | 29 |
| 5-2. MAIN Board Section | 30 |
| 5-3. Touch Panel Section..... | 31 |
| 6. ELECTRICAL PARTS LIST | 32 |

Accessories are given in the last of the electrical parts list.

NOTES ON CHIP COMPONENT REPLACEMENT

- Never reuse a disconnected chip component.
- Notice that the minus side of a tantalum capacitor may be damaged by heat.

FLEXIBLE CIRCUIT BOARD REPAIRING

- Keep the temperature of soldering iron around 270 °C during repairing.
- Do not touch the soldering iron on the same conductor of the circuit board (within 3 times).
- Be careful not to apply force on the conductor when soldering or unsoldering.

CAUTION

Danger of explosion if battery is incorrectly replaced.
Replace only with the same or equivalent type.

UNLEADED SOLDER

Boards requiring use of unleaded solder are printed with the lead-free mark (LF) indicating the solder contains no lead.

(Caution: Some printed circuit boards may not come printed with the lead free mark due to their particular size)

: LEAD FREE MARK

Unleaded solder has the following characteristics.

- Unleaded solder melts at a temperature about 40 °C higher than ordinary solder.
Ordinary soldering irons can be used but the iron tip has to be applied to the solder joint for a slightly longer time.
Soldering irons using a temperature regulator should be set to about 350 °C.
Caution: The printed pattern (copper foil) may peel away if the heated tip is applied for too long, so be careful!
- Strong viscosity
Unleaded solder is more viscous (sticky, less prone to flow) than ordinary solder so use caution not to let solder bridges occur such as on IC pins, etc.
- Usable with ordinary solder
It is best to use only unleaded solder but unleaded solder may also be added to ordinary solder.

System Requirements

- Computer
IBM PC/AT or compatible computer preinstalled with the following Windows operating systems:
Windows XP Home Edition (Service Pack 2 or later) / Windows XP Professional (Service Pack 2 or later) / Windows Vista Home Basic (Service Pack 1 or later) / Windows Vista Home Premium (Service Pack 1 or later) / Windows Vista Business (Service Pack 1 or later) / Windows Vista Ultimate (Service Pack 1 or later)
* Excluding OS Versions not supported by Microsoft
* Excluding Windows® XP Professional x64 Edition
* Excluding 64-bit OS versions for use with PC application software "Media Manager for WALKMAN"
 - CPU: Pentium 4 1.0 GHz or higher
 - RAM: 512 MB or more
 - Hard Disk drive: 380 MB or more of available space
The supplied software may require more available space depending on the version of Windows. Furthermore, you need more space to store data such as music, videos, photos, etc.
 - Display:
 - Screen Resolution: 800 × 600 pixels (or higher) (recommended 1,024 × 768 or higher)
 - Colors: 8-bit or higher (16-bit recommended)
 - CD-ROM drive (supporting Digital Music CD playback capabilities using WDM)
To create original CDs, a CD-R/RW drive is required.
 - Sound board
 - USB port (Hi-Speed USB is recommended)
 - Microsoft® .NET Framework 2.0 or 3.0, QuickTime®7.3(supplied), Internet Explorer 6.0 or 7.0, Windows Media Player 10 or 11, DirectX9.0 are required. (Windows Media Player 11 recommended. Some computers that already have Windows Media Player 10 installed may encounter file limitation (AAC, video files, etc.) that can be transferred by dragging and dropping.)
 - Adobe Flash Player 8 or higher needs to be installed.
 - Broadband Internet connection is required to use Electronic Music Distribution (EMD) or to visit the web site.
- We do not guarantee operation for all computers even if they meet the above System Requirements.

Not supported by the following environments:

- Personally constructed computers or operating systems
- An environment that is an upgrade of the original manufacturer-installed operating system
- Multi-boot environment
- Multi-monitor environment
- Macintosh

NOTE THE MAIN BOARD REPLACING

When the MAIN board is replaced, process it according to the following.


1. Format

Format

You can format the built-in flash memory of the player.

Notes

- If the memory is formatted, all data (songs, videos, photos, etc., including sample data installed at the factory) will be erased. Be sure to verify the data stored in memory prior to formatting and export any important data to the hard disk of your computer.
- Be sure not to initialize (format) the built-in flash memory of the player by using Windows Explorer. If you have formatted with Windows Explorer, format again by using the player.

- 1 From the Home menu, select  (Settings) → "Common Settings" → "Reset/Format" → "Format."

"All data including songs will be deleted. Proceed?" appears.

- 2 Select "Yes."

"All data will be deleted. Proceed?" appears.

- To cancel the operation, select "No."

- 3 Select "Yes."

When initialization finishes, "Memory formatted." appears.

- To cancel the operation, select "No."


2. Reset all setting

Reset All Settings

You can reset the player to the default settings. Resetting the player also deletes the wireless LAN encryption key, but does not delete data such as music, video, and photo data.

Note

- This function is only available in the pause mode.

- 1 From the Home menu, select  (Settings) → "Common Settings" → "Reset/Format" → "Reset All Settings" → "Yes."

"Restored factory settings." appears.

- To cancel the operation, select "No" on the confirmation screen.

3. Wallpapers setting

It is necessary to install the Wallpapers. Confirm details to each service headquarters.

4. Other

MAC address has been changed. Print the page 5, and pass it to the customer with the repaired set when you return the customer the repaired set.

MEMO

Note: Refer to page 27 for the schematic diagram. Refer to page 28 for the printed wiring boards.

METHOD OF JUDGING RIGHT AND WRONG OF PARTS RELATED TO SWITCH

In this set, only a part of parts that relate to the switch are supplied. Exchange the entire mounted board when parts that do not correspond to it are defective. The right and wrong of the switch can be judged by the following two methods.

1. Judgment From The Test Mode

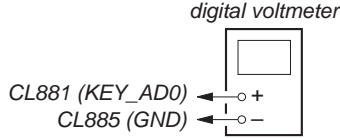
Judge the right and wrong of the switch referring to “4-4-2. Key check” (page 22).

2. Judgment from the voltage measurement

Judge the right and wrong of the switch by the voltage measurement with a test point.

2-1. [▶||]/[▶▶|]/[|◀◀] keys

Connection:

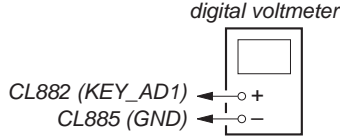


When the voltage value is below, [▶||]/[▶▶|]/[|◀◀] keys are normal.

- [▶||] key is pressed : 0 to 0.25 V
- [▶▶|] key is pressed : 0.4 to 0.6 V
- [|◀◀] key is pressed : 0.76 to 0.95 V

2-2. [VOL +]/[VOL -]/[HOME] keys

Connection:

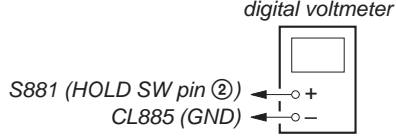


When the voltage value is below, [VOL +]/[VOL -]/[HOME] keys are normal.

- [VOL -] key is pressed : 0 to 0.25 V
- [VOL +] key is pressed : 0.4 to 0.6 V
- [HOME] key is pressed : 0.76 to 0.95 V

2-3. HOLD switch (S881)

Connection:

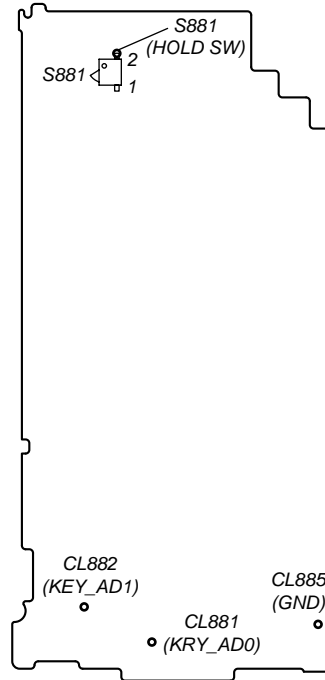


When the voltage value is below, HOLD switch (S881) is normal.

- HOLD switch is turned on : 2.85 V
- HOLD switch is turned off : 0 V

Connection location:

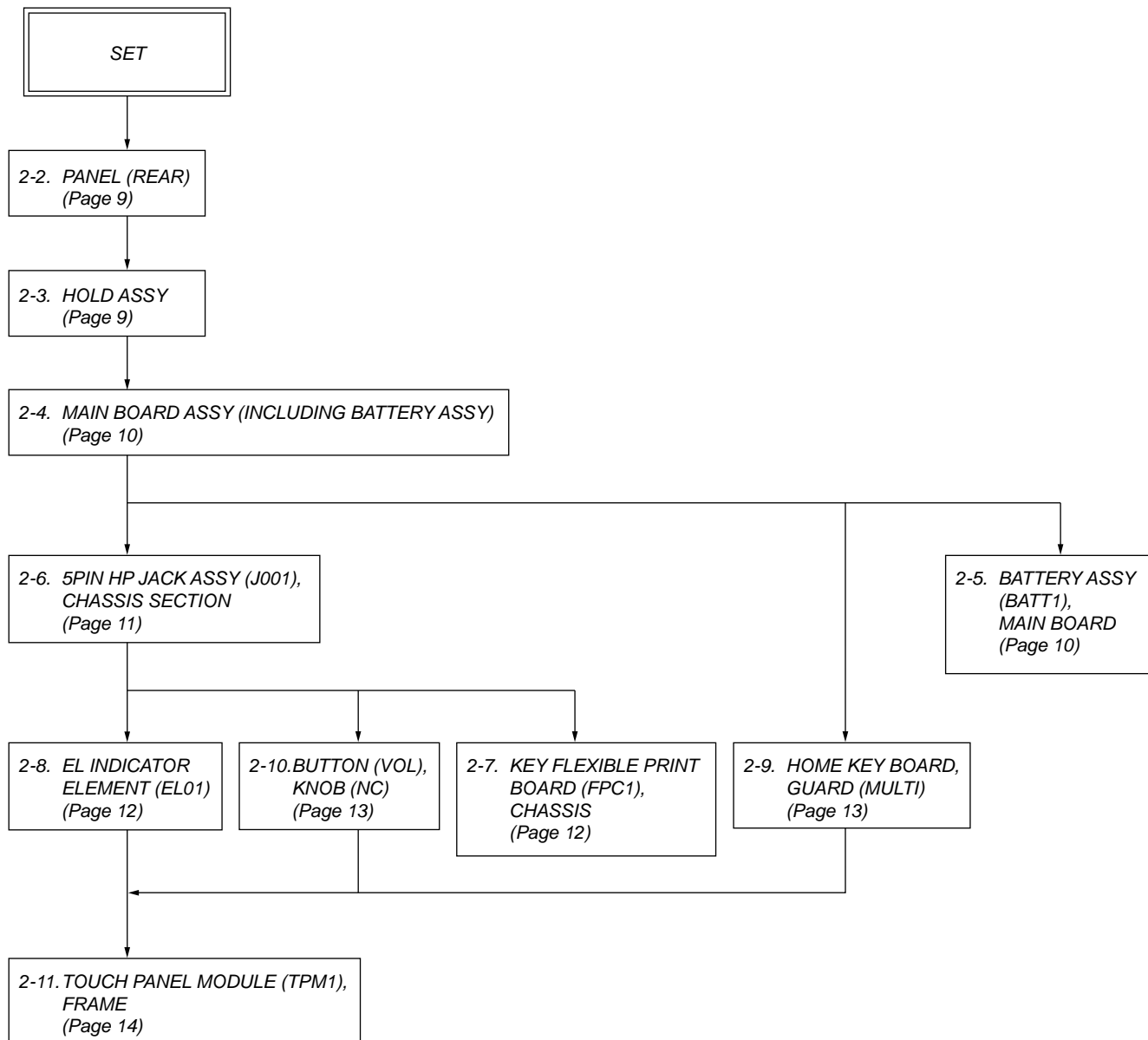
- MAIN Board (Side B) -



SECTION 2 DISASSEMBLY

- This set can be disassembled in the order shown below.

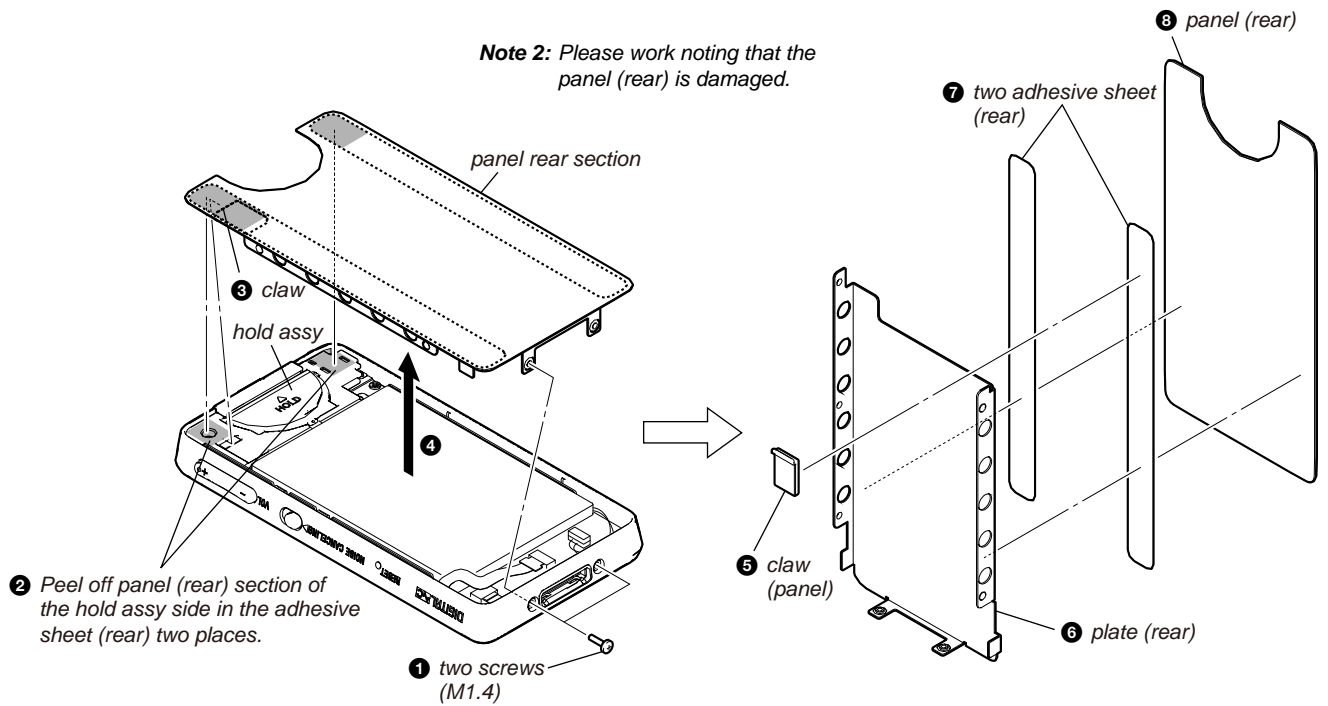
2-1. DISASSEMBLY FLOW



Note: Follow the disassembly procedure in the numerical order given.

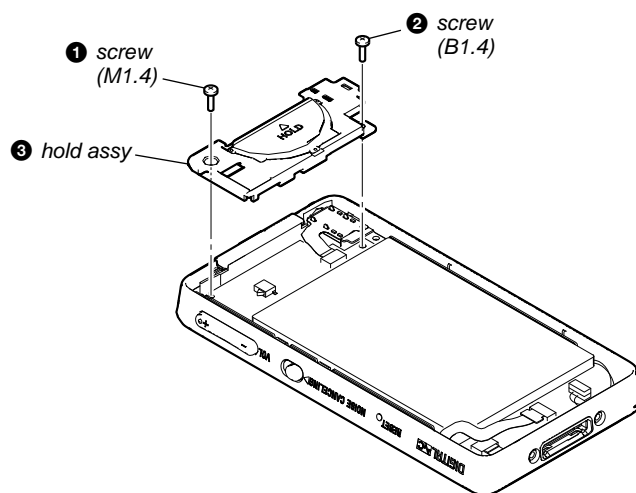
2-2. PANEL (REAR)

Note 1: This illustration sees the set from rear side.



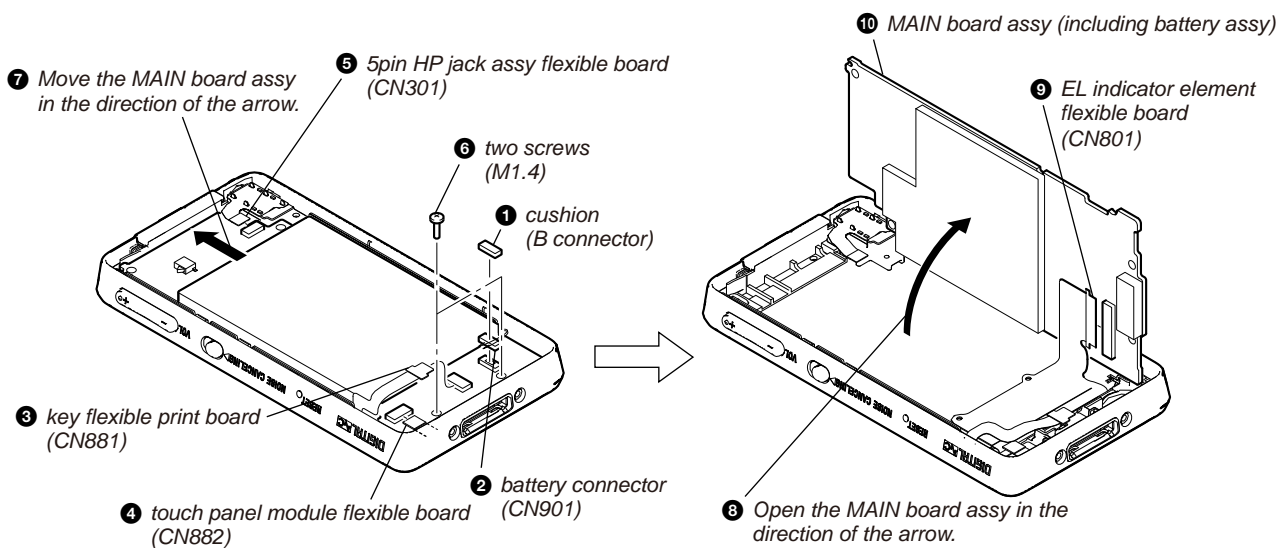
2-3. HOLD ASSY

Note: This illustration sees the set from rear side.



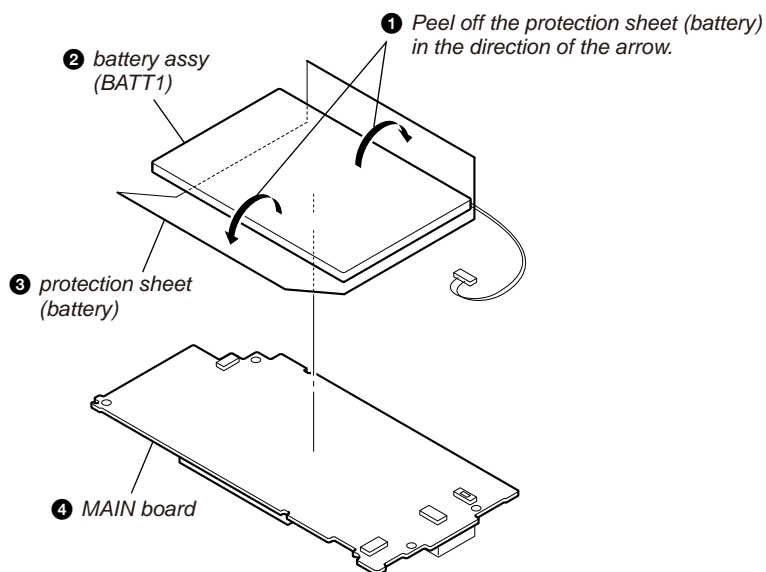
2-4. MAIN BOARD ASSY (INCLUDING BATTERY ASSY)

Note: This illustration sees the set from rear side.



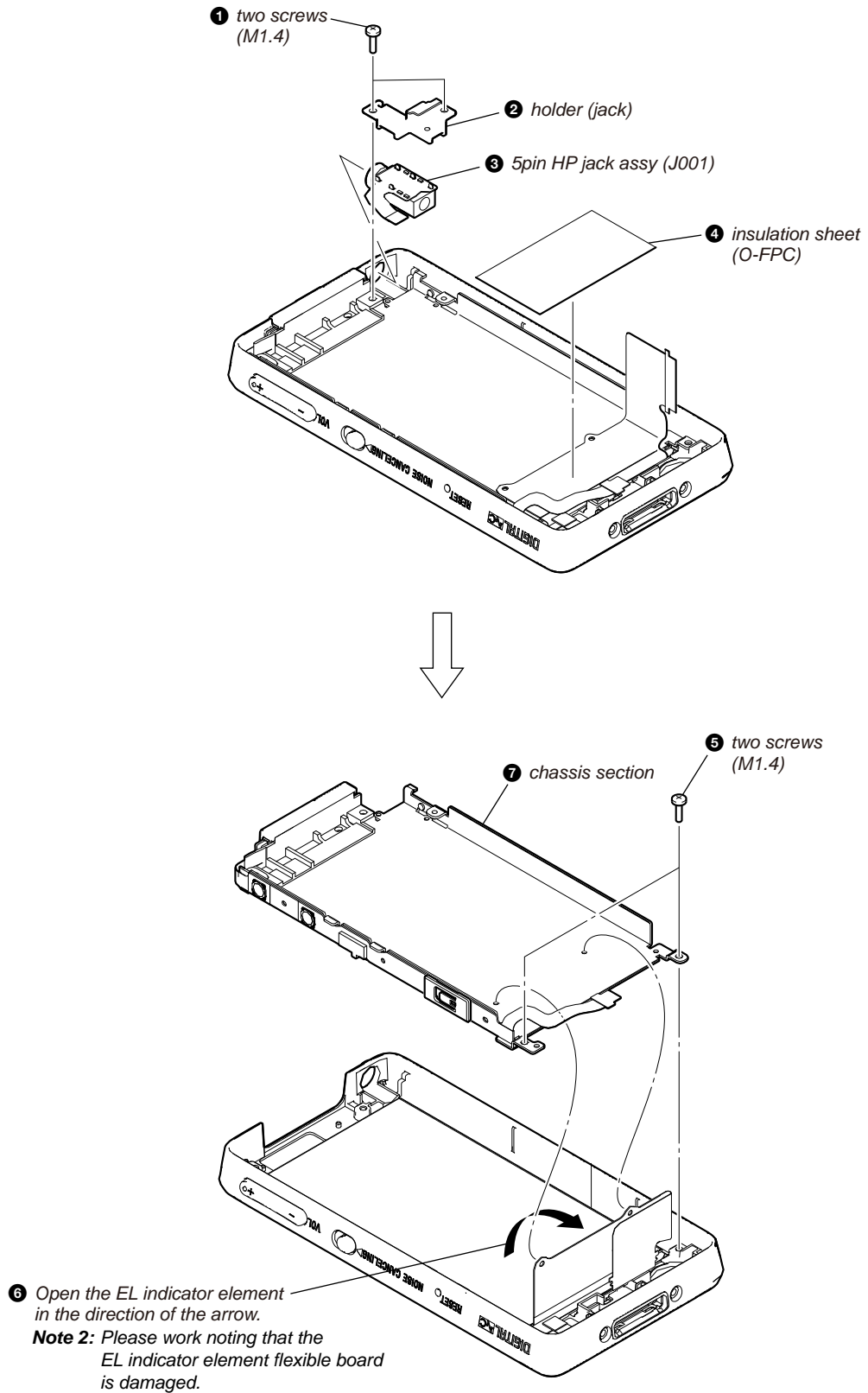
2-5. BATTERY ASSY (BATT1), MAIN BOARD

Note: This illustration sees the MAIN board from battery assy side.



2-6. 5PIN HP JACK ASSY (J001), CHASSIS SECTION

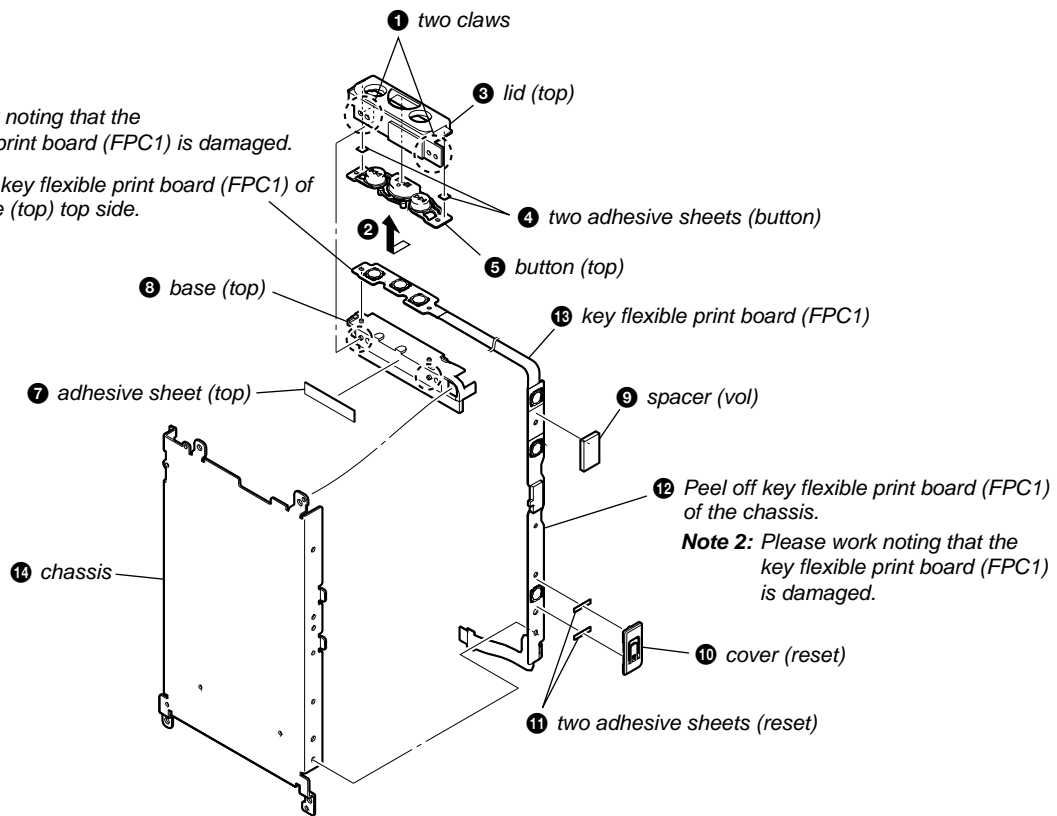
Note 1: This illustration sees the set from rear side.



2-7. KEY FLEXIBLE PRINT BOARD (FPC1), CHASSIS

Note 1: Please work noting that the key flexible print board (FPC1) is damaged.

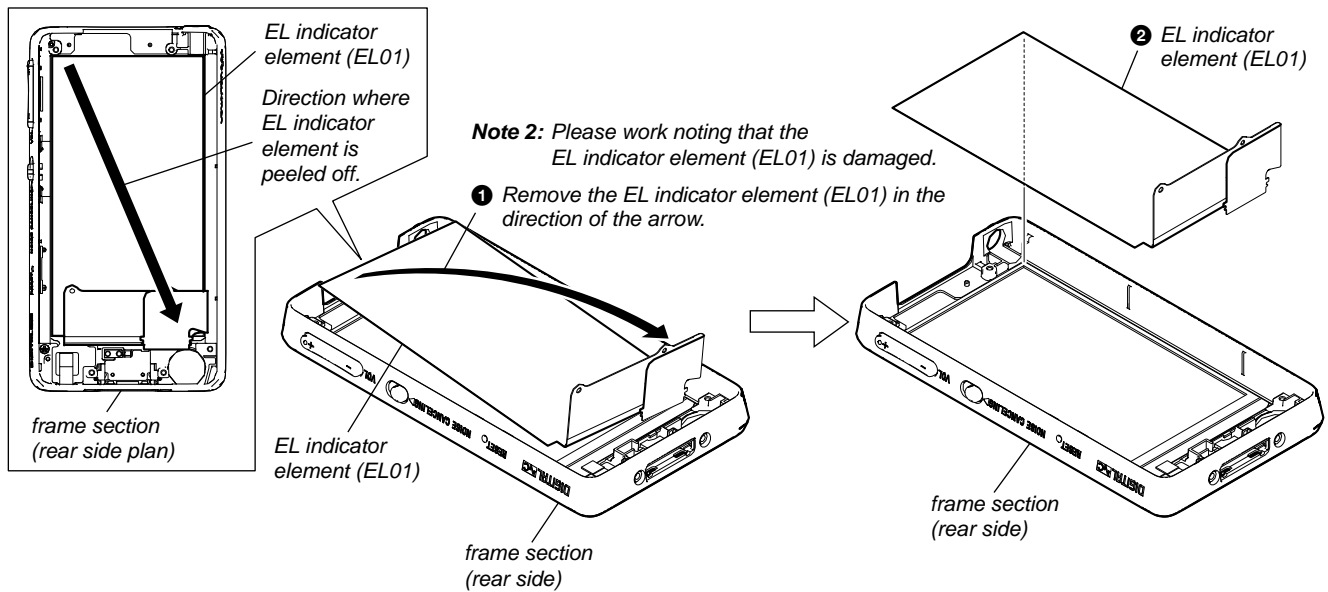
6 Peel off key flexible print board (FPC1) of the base (top) top side.



Note 2: Please work noting that the key flexible print board (FPC1) is damaged.

2-8. EL INDICATOR ELEMENT (EL01)

Note: This illustration sees the set from rear side.

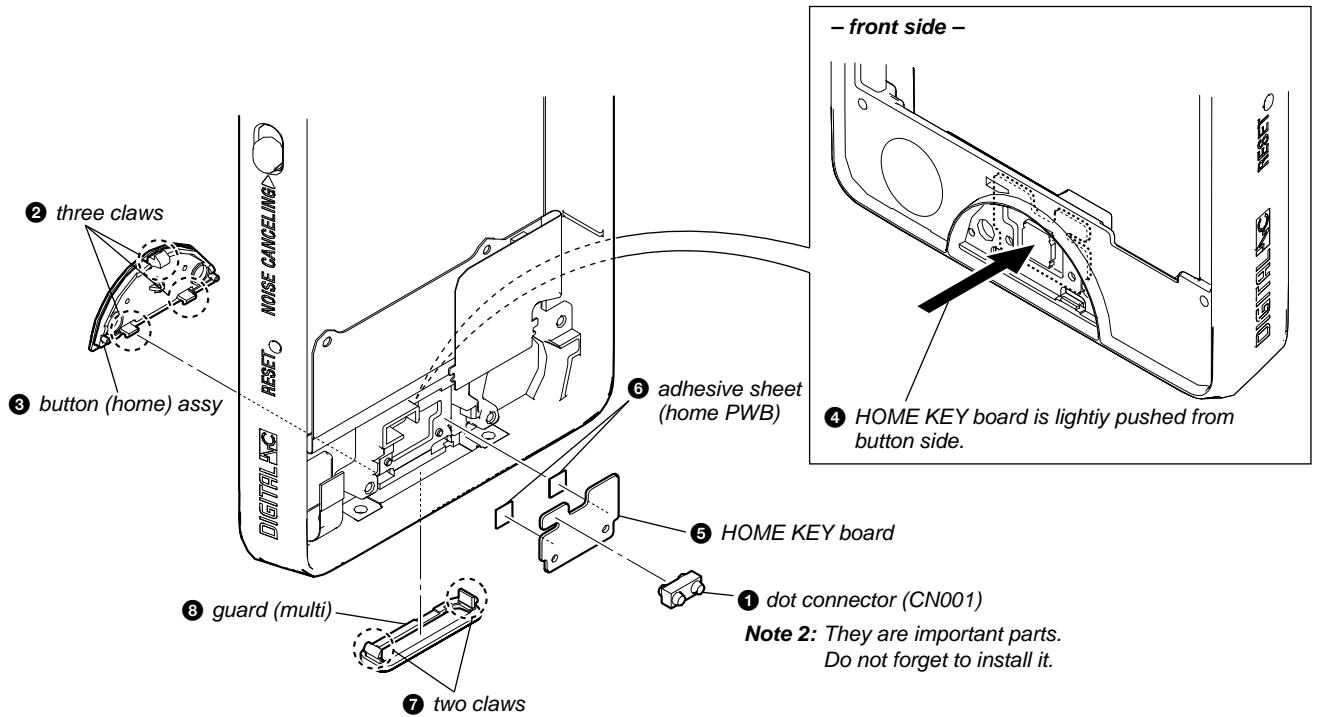


Note 2: Please work noting that the EL indicator element (EL01) is damaged.

1 Remove the EL indicator element (EL01) in the direction of the arrow.

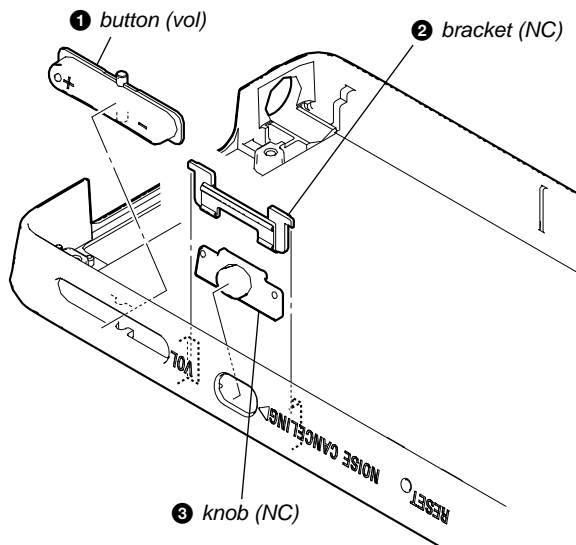
2-9. HOME KEY BOARD, GUARD (MULTI)

Note: This illustration sees the set from rear side.

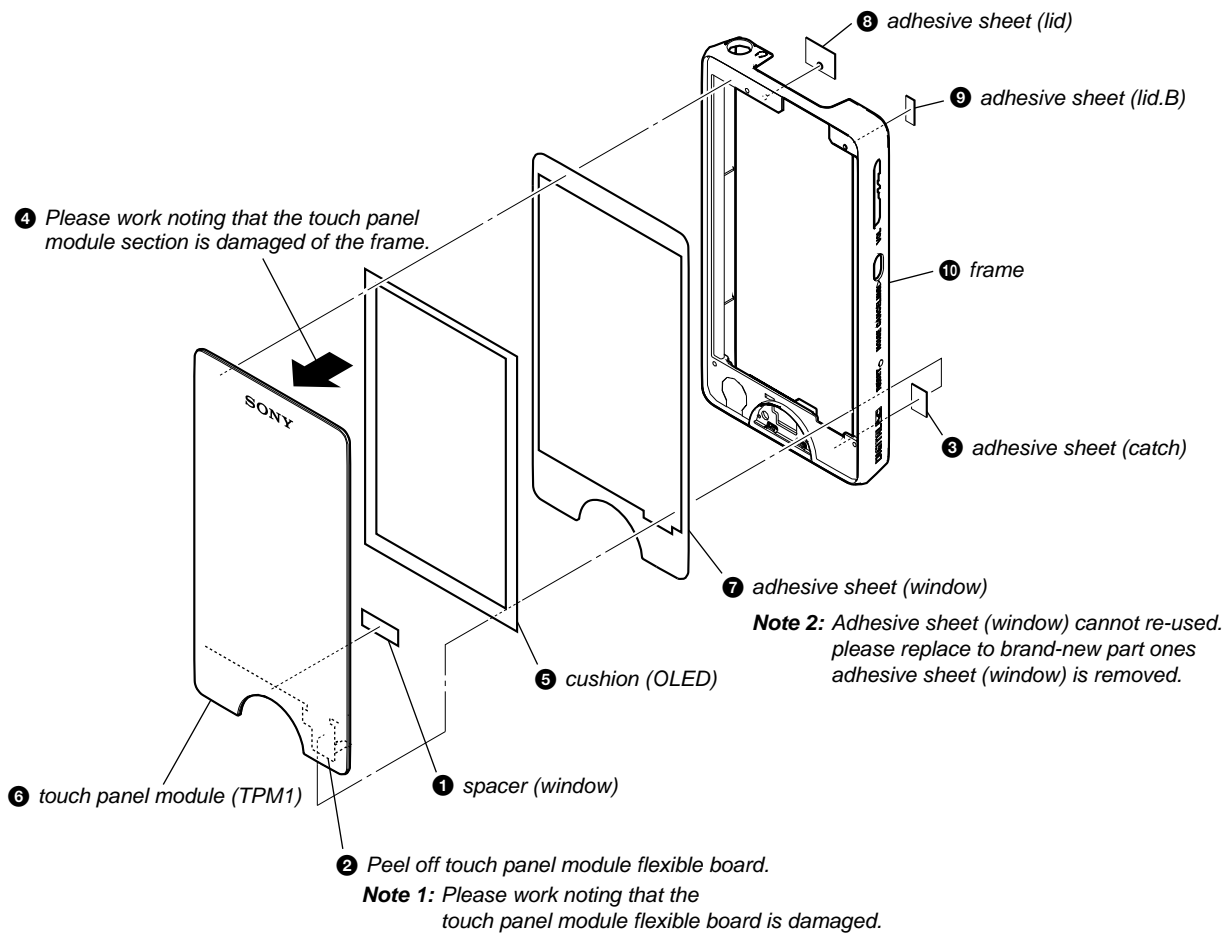


2-10. BUTTON (VOL), KNOB (NC)

Note: This illustration sees the set from rear side.



2-11. TOUCH PANEL MODULE (TPM1), FRAME



SECTION 3 TEST MODE

Note 1: Information on the test mode must correspond in enough security. When the leakage has been revealed by any chance, the source of information is specified.

Note 2: Execute "EXITTEST" when you release the test mode.

1. SETTING THE TEST MODE

Note: Perform the test mode in the state of 3.6 V or more in the battery voltage.

Setting method:

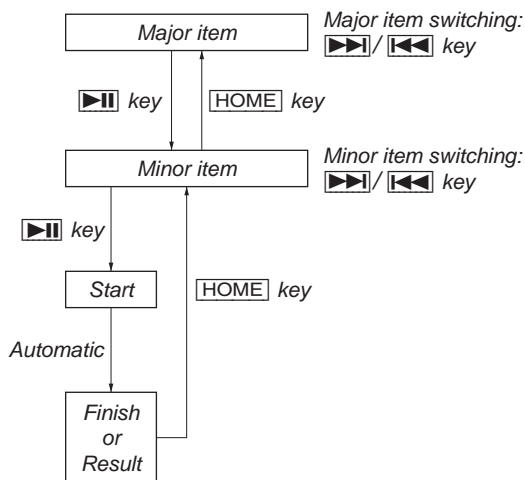
1. Turn the power on.
2. Press the [HOME] key, the home menu is displayed.
3. While touching the [Settings] icon on the touch panel, press the key as following order.
[▶▶] → [▶▶] → [◀◀] → [VOL +] → [▶▶] → [VOL -] → [▶▶]
4. The set reboots and the color bar is displayed in the liquid crystal display.
5. Enter the test mode when the [HOME] key is pressed in the state of step 4.

Note: The destination setting and sound pressure regulation setting cannot be executed by this test mode.

2. RELEASING THE TEST MODE

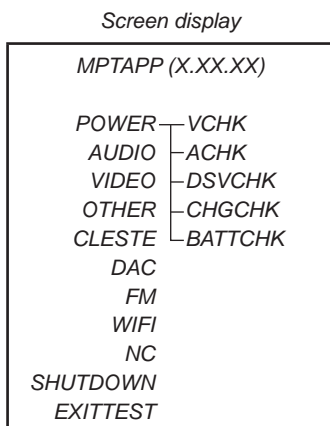
1. Display the major item selection screen.
2. Press the [▶▶]/[◀◀] key to select the "EXITTEST", and press the [▶▶] key to select the "SURE ?".
3. Press the [▶▶] key, turn the power off and release the test mode.

3. CONFIGURATION OF THE TEST MODE



4. OPERATION OF THE TEST MODE

4-1. Power (POWER)

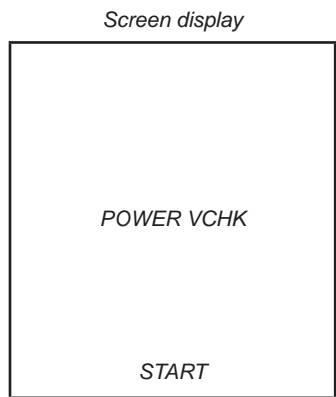


4-1-1. Power supply voltage check (VCHK)

This mode is used in case power supply voltage in the state where all power supply lines are starting is checked.

Checking method:

1. Enter the test mode.
2. Press the [▶▶]/[◀◀] key to select the "POWER", and press the [▶▶] key to enter the minor item.
3. Press the [▶▶]/[◀◀] key to select the "VCHK".
4. Press the [▶▶] key, all power supply lines are started.



In this state, the power supply voltage of each power supply line can be confirmed by measuring the voltage.

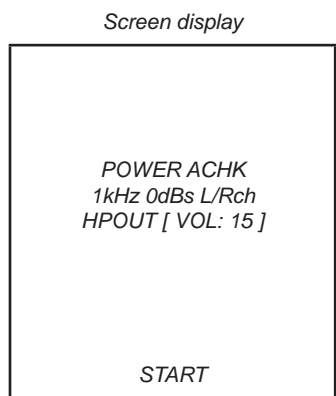
5. Press the [HOME] key, return to minor item selection screen.

4-1-2. Consumption current (audio playback) check (ACHK)

This mode is used in case consumption current (audio playback) is checked in the state where "1 kHz 0 dBs L-ch/R-ch VOLUME: 15" audio signal is outputted.

Checking method:

1. Enter the test mode.
2. Press the [▶▶]/[◀◀] key to select the "POWER", and press the [▶▶] key to enter the minor item.
3. Press the [▶▶]/[◀◀] key to select the "ACHK".
4. Press the [▶▶] key, "1 kHz 0 dBs L-ch/R-ch VOLUME: 15" audio signal is outputted.



5. In this state, each time the [▶▶] key is pressed, LCD back light on/off switch is performed.
6. Press the [HOME] key, return to minor item selection screen.

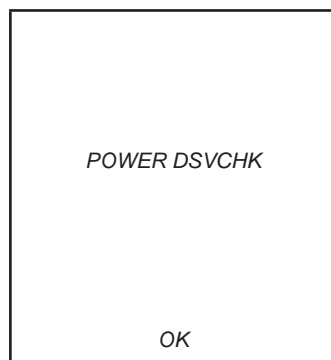
4-1-3. Standby current check (DSVCHK)

This mode is used in case standby current is checked.

Checking method:

1. Enter the test mode.
2. Press the [▶▶]/[◀◀] key to select the "POWER", and press the [▶] key to enter the minor item.
3. Press the [▶▶]/[◀◀] key to select the "DSVCHK".
4. Press the [▶] key, enter the state of the deep sleep.
5. Press the [HOME] key, release the state of the deep sleep.

Screen display



6. Press the [HOME] key, return to minor item selection screen.

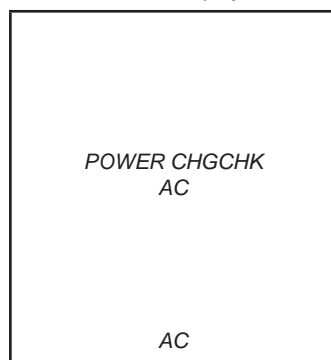
4-1-4. Charge current check (CHGCHK)

This mode is used in case charge current is checked.

Checking method:

1. Enter the test mode.
2. Press the [▶▶]/[◀◀] key to select the "POWER", and press the [▶] key to enter the minor item.
3. Press the [▶▶]/[◀◀] key to select the "CHGCHK".
4. Press the [▶] key, the charge setting is displayed.

Screen display



5. In this state, each time the [▶] key is pressed, the port setting for the charge is changed as shown in the table below.

| | Port control | | |
|---------|--------------|----------|----------|
| Display | CHG_XCHGEN | CHG_PEN1 | CHG_PEN2 |
| AC | L | H | H |
| USB500 | L | H | H |
| USB100 | L | H | L |

6. Press the [HOME] key, return to minor item selection screen.

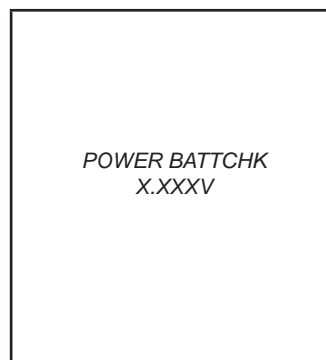
4-1-5. Battery voltage detection check (BATTCHK)

This mode is used in case battery voltage is checked.

Checking method:

1. Enter the test mode.
2. Press the [▶▶]/[◀◀] key to select the "POWER", and press the [▶] key to enter the minor item.
3. Press the [▶▶]/[◀◀] key to select the "BATTCHK".
4. Press the [▶] key, the battery voltage is displayed.
When the battery voltage cannot be confirmed, "ERROR" is displayed.

Screen display



X.XXXV: Battery voltage

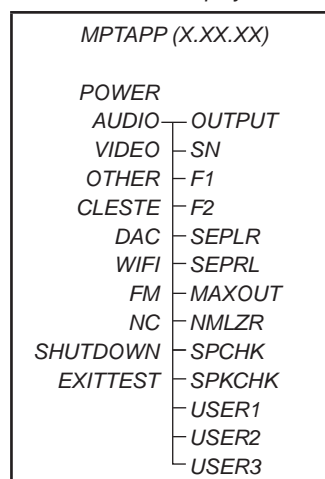
5. Press the [HOME] key, return to minor item selection screen.

4-2. Audio (AUDIO)

While playing the audio track, it's in a repeat state. If [BACK] key is pressed, it's stopped.

Press the [◀◀] key to switch the HP/LINE/SPEAKER.

Screen display



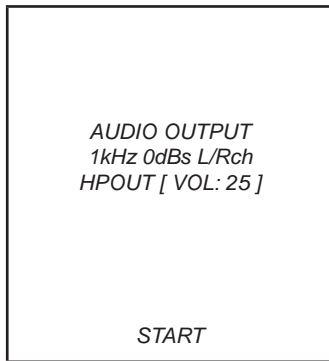
4-2-1. Output check (OUTPUT)

“1 kHz 0 dBs L-ch/R-ch VOLUME: 25” audio signal is outputted.

Checking method:

1. Enter the test mode.
2. Press the [▶▶]/[◀◀] key to select the “AUDIO”, and press the [▶] key to enter the minor item.
3. Press the [▶▶]/[◀◀] key to select the “OUTPUT”.
4. Press the [▶] key, “1 kHz 0 dBs L-ch/R-ch VOLUME: 25” audio signal is outputted.

Screen display



5. Press the [HOME] key, return to minor item selection screen.

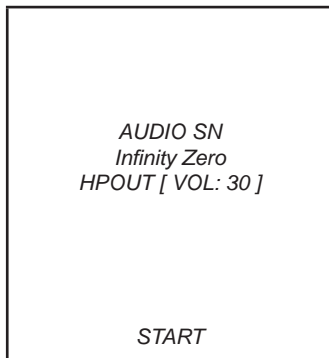
4-2-2. S/N check (SN)

“Infinity Zero VOLUME: 30” audio signal is outputted.

Checking method:

1. Enter the test mode.
2. Press the [▶▶]/[◀◀] key to select the “AUDIO”, and press the [▶] key to enter the minor item.
3. Press the [▶▶]/[◀◀] key to select the “SN”.
4. Press the [▶] key, “Infinity Zero VOLUME: 30” audio signal is outputted.

Screen display



5. Press the [HOME] key, return to minor item selection screen.

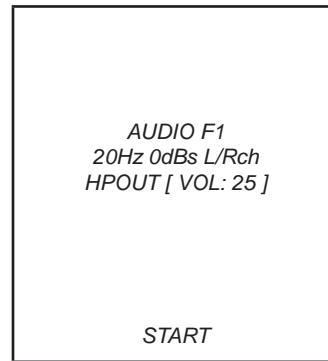
4-2-3. Frequency characteristic 1 check (F1)

“20 Hz 0 dBs L-ch/R-ch VOLUME: 25” audio signal is outputted.

Checking method:

1. Enter the test mode.
2. Press the [▶▶]/[◀◀] key to select the “AUDIO”, and press the [▶] key to enter the minor item.
3. Press the [▶▶]/[◀◀] key to select the “F1”.
4. Press the [▶] key, “20 Hz 0 dBs L-ch/R-ch VOLUME: 25” audio signal is outputted.

Screen display



5. Press the [HOME] key, return to minor item selection screen.

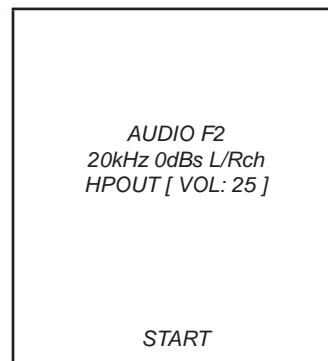
4-2-4. Frequency characteristic 2 check (F2)

“20 kHz 0 dBs L-ch/R-ch VOLUME: 25” audio signal is outputted.

Checking method:

1. Enter the test mode.
2. Press the [▶▶]/[◀◀] key to select the “AUDIO”, and press the [▶] key to enter the minor item.
3. Press the [▶▶]/[◀◀] key to select the “F2”.
4. Press the [▶] key, “20 kHz 0 dBs L-ch/R-ch VOLUME: 25” audio signal is outputted.

Screen display



5. Press the [HOME] key, return to minor item selection screen.

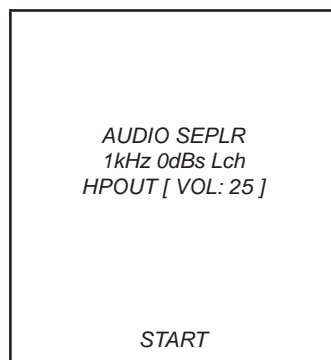
4-2-5. CH separation (L-ch) check (SEPLR)

“1 kHz 0 dBs L-ch VOLUME: 25” audio signal is outputted.

Checking method:

1. Enter the test mode.
2. Press the [▶▶]/[◀◀] key to select the “AUDIO”, and press the [▶] key to enter the minor item.
3. Press the [▶▶]/[◀◀] key to select the “SEPLR”.
4. Press the [▶] key, “1 kHz 0 dBs L-ch VOLUME: 25” audio signal is outputted.

Screen display



5. Press the [HOME] key, return to minor item selection screen.

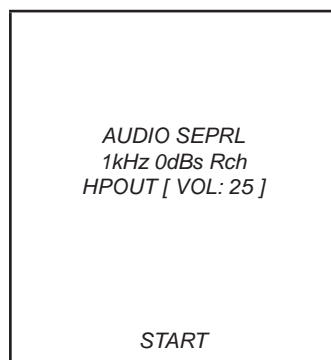
4-2-6. CH separation (R-ch) check (SEPRL)

“1 kHz 0 dBs R-ch VOLUME: 25” audio signal is outputted.

Checking method:

1. Enter the test mode.
2. Press the [▶▶]/[◀◀] key to select the “AUDIO”, and press the [▶] key to enter the minor item.
3. Press the [▶▶]/[◀◀] key to select the “SEPRL”.
4. Press the [▶] key, “1 kHz 0 dBs R-ch VOLUME: 25” audio signal is outputted.

Screen display



5. Press the [HOME] key, return to minor item selection screen.

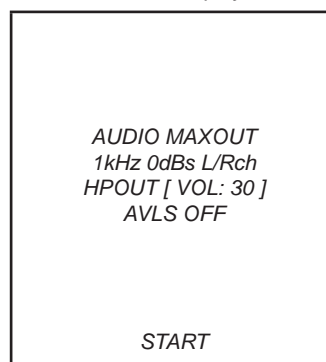
4-2-7. Maximum output check (MAXOUT)

“1 kHz 0 dBs L-ch/R-ch VOLUME: 30” (Headphone output when AVLS operates: “1 kHz 0 dBs L-ch/R-ch VOLUME: 14”) audio signal is outputted.

Checking method:

1. Enter the test mode.
2. Press the [▶▶]/[◀◀] key to select the “AUDIO”, and press the [▶] key to enter the minor item.
3. Press the [▶▶]/[◀◀] key to select the “MAXOUT”.
4. Press the [▶] key, “1 kHz 0 dBs L-ch/R-ch VOLUME: 30” (Headphone output when AVLS operates: “1 kHz 0 dBs L-ch/R-ch VOLUME: 14”) audio signal is outputted.

Screen display



5. In this state, each time the [OPTION] key is pressed, AVLS on/off switch is performed.
6. Press the [HOME] key, return to minor item selection screen.

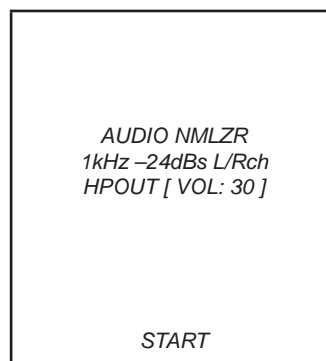
4-2-8. Normalizer check (NMLZR)

“1 kHz -24 dBs L-ch/R-ch VOLUME: 30” audio signal is outputted.

Checking method:

1. Enter the test mode.
2. Press the [▶▶]/[◀◀] key to select the “AUDIO”, and press the [▶] key to enter the minor item.
3. Press the [▶▶]/[◀◀] key to select the “NMLZR”.
4. Press the [▶] key, “1 kHz -24 dBs L-ch/R-ch VOLUME: 30” audio signal is outputted.

Screen display

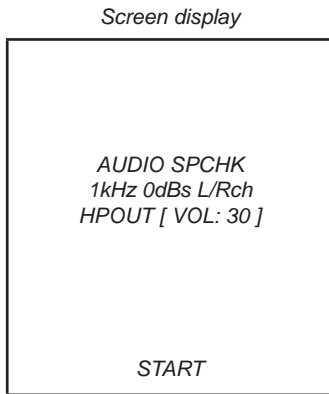


5. Press the [HOME] key, return to minor item selection screen.

4-2-9. Sound pressure regulation level check (SPCHK)
 “1 kHz 0 dBs L-ch/R-ch VOLUME: 30” audio signal is outputted.

Checking method:

1. Enter the test mode.
2. Press the [▶▶]/[◀◀] key to select the “AUDIO”, and press the [▶] key to enter the minor item.
3. Press the [▶▶]/[◀◀] key to select the “SPCHK”.
4. Press the [▶] key, “1 kHz 0 dBs L-ch/R-ch VOLUME: 30” audio signal is outputted.



5. Press the [HOME] key, return to minor item selection screen.

4-2-10. Speaker check

“20 – 20kHz 0dBs L-ch/R-ch VOLUME: 30” audio signal is outputted.

Checking method:

1. Enter the test mode.
2. Press the [▶▶]/[◀◀] key to select the “AUDIO”, and press the [▶] key to enter the minor item.
3. Press the [▶▶]/[◀◀] key to select the “SPKCHK”.
4. Press the [▶] key, “20 – 20kHz 0dBs L-ch/R-ch VOLUME: 30” audio signal is outputted.

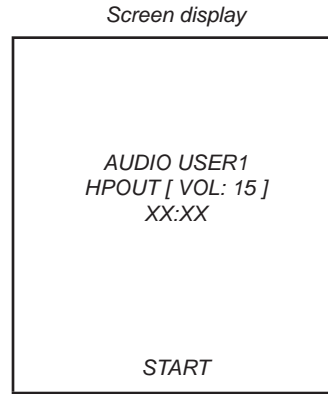


5. Press the [HOME] key, return to minor item selection screen.

4-2-11. User specification contents playback 1 (USER1)
 “/User1.oma” is reproduced.

Checking method:

1. Enter the test mode.
2. Press the [▶▶]/[◀◀] key to select the “AUDIO”, and press the [▶] key to enter the minor item.
3. Press the [▶▶]/[◀◀] key to select the “USER1”.
4. Press the [▶] key, “/User1.oma” is reproduced.



XX:XX : Repetition expert totaling time

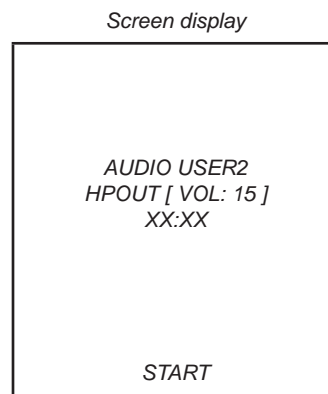
5. Press the [HOME] key, return to minor item selection screen.

4-2-12. User specification contents playback 2 (USER2)

“/User2.oma” is reproduced.

Checking method:

1. Enter the test mode.
2. Press the [▶▶]/[◀◀] key to select the “AUDIO”, and press the [▶] key to enter the minor item.
3. Press the [▶▶]/[◀◀] key to select the “USER2”.
4. Press the [▶] key, “/User2.oma” is reproduced.



XX:XX : Repetition expert totaling time

5. Press the [HOME] key, return to minor item selection screen.

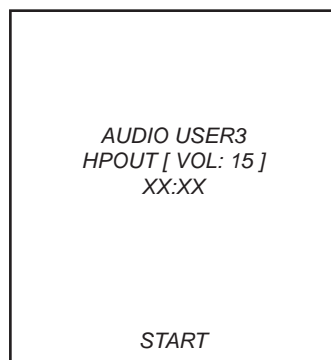
4-2-13. User specification contents playback 3 (USER3)

"/User3.oma" is reproduced.

Checking method:

1. Enter the test mode.
2. Press the [▶▶]/[◀◀] key to select the "AUDIO", and press the [▶] key to enter the minor item.
3. Press the [▶▶]/[◀◀] key to select the "USER3".
4. Press the [▶] key, "/User3.oma" is reproduced.

Screen display

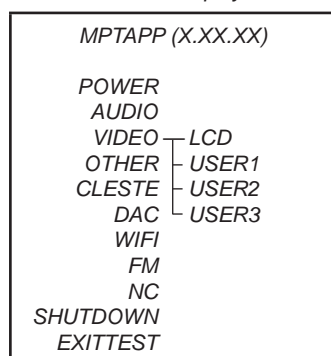


XX:XX : Repetition expert totaling time

5. Press the [HOME] key, return to minor item selection screen.

4-3. Video (VIDEO)

Screen display



4-3-1. LCD display check (LCD)

Screen display is checked.

Checking method:

1. Enter the test mode.
2. Press the [▶▶]/[◀◀] key to select the "VIDEO", and press the [▶] key to select the "LCD".
3. Press the [▶] key, all black is displayed on the screen.
4. In this state, each time the [VOL +] key is pressed, the screen display changes in the following order.

All black (default) → Color bar (standard) → Color bar (brightness minimum) → Color bar (brightness maximum) → All red → All green → All blue → All white → diagonal gradation (red) → diagonal gradation (green) → diagonal gradation (blue) → diagonal gradation (white) → Maximum drawing size confirmation

Maximum drawing size confirmation:

All blue (All sides are red) is displayed. Whether red in all sides is seen is confirmed.

5. In this state, each time the [▶▶] key is pressed, brightness min/max/middle switch is performed.
6. Press the [HOME] key, return to minor item selection screen.

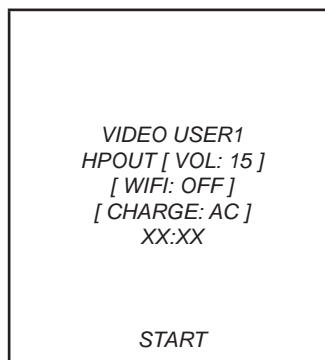
4-3-2. User specification contents playback 1 (USER1)

"/User1.mp4" is reproduced.

Checking method:

1. Enter the test mode.
2. Press the [▶▶]/[◀◀] key to select the "VIDEO", and press the [▶] key to enter the minor item.
3. Press the [▶▶]/[◀◀] key to select the "USER1".
4. Press the [▶] key, "/User1.mp4" is reproduced.

Screen display



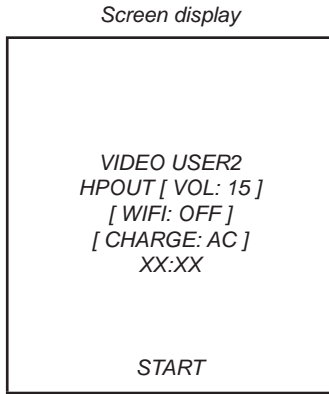
XX:XX : Repetition expert totaling time

5. Press the [HOME] key, return to minor item selection screen.

4-3-3. User specification contents playback 2 (USER2)
 "/User2.mp4" is reproduced.

Checking method:

1. Enter the test mode.
2. Press the [▶▶]/[◀◀] key to select the "VIDEO", and press the [▶] key to enter the minor item.
3. Press the [▶▶]/[◀◀] key to select the "USER2".
4. Press the [▶] key, "/User2.mp4" is reproduced.



XX:XX : Repetition expert totaling time

5. Press the [HOME] key, return to minor item selection screen.

4-3-4. User specification contents playback 3 (USER3)
 "/User3.mp4" is reproduced.

Checking method:

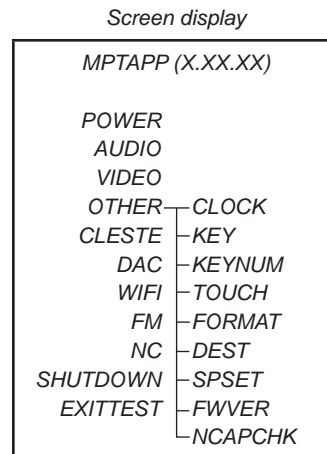
1. Enter the test mode.
2. Press the [▶▶]/[◀◀] key to select the "VIDEO", and press the [▶] key to enter the minor item.
3. Press the [▶▶]/[◀◀] key to select the "USER3".
4. Press the [▶] key, "/User3.mp4" is reproduced.



XX:XX : Repetition expert totaling time

5. Press the [HOME] key, return to minor item selection screen.

4-4. Other (OTHER)

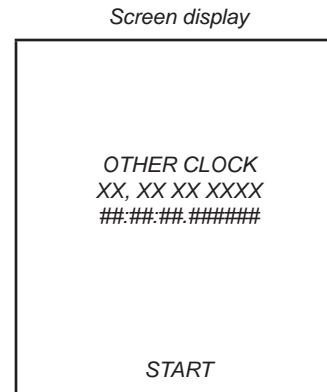


4-4-1. Clock check (CLOCK)

The movement of an internal clock is confirmed.

Checking method:

1. Enter the test mode.
2. Press the [▶▶]/[◀◀] key to select the "OTHER", and press the [▶] key to enter the minor item.
3. Press the [▶▶]/[◀◀] key to select the "CLOCK".
4. Press the [▶] key, date and time are displayed.



XX, XX XX XXXX : Date
 ###:##:##.##### : Time

"START" changes into "OK" if the movement of an internal clock is confirmed.

5. Press the [HOME] key, return to minor item selection screen.

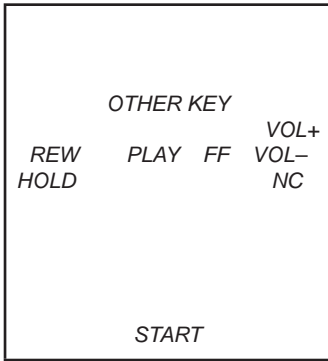
4-4-2. Key check (KEY)

The operation of the key is confirmed.

Checking method:

1. Enter the test mode.
2. Press the [▶▶]/[◀◀] key to select the "OTHER", and press the [▶||] key to enter the minor item.
3. Press the [▶▶]/[◀◀] key to select the "KEY".
4. Press the [▶||] key, all keys are displayed.

Screen display



5. The character corresponding to the key is selected every time the key is pressed. "OK" is displayed if all keys are pressed.
6. Slide the [HOLD] key from ON to OFF, return to minor item selection screen.

4-4-3. Frequency check that presses key (KEYNUM)

The frequency to which the key is pressed, insert/pull out frequency of cradle and insert/pull out frequency of the headphone are displayed.

Note: Not used for the servicing.

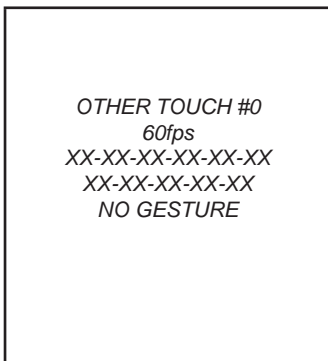
4-4-4. Touch panel check (TOUCH)

The position in which the touch panel is pressed is displayed.

Checking method:

1. Enter the test mode.
2. Press the [▶▶]/[◀◀] key to select the "OTHER", and press the [▶||] key to enter the minor item.
3. Press the [▶▶]/[◀◀] key to select the "TOUCH".
4. Enter the mode when the [▶||] key is pressed. When the touch panel is pressed, the position in which the touch panel is pushed at that time is displayed.

Screen display



5. Press the [HOME] key, return to minor item selection screen.

4-4-5. Format (FORMAT)

The user's area is formatted, and ICV for the video and ICV for audio are initialized.

Note: Not used for the servicing.

Format the set from "Settings" → "Common settings" → "Format" when it home menu in usually operates when the set should format it.

4-4-6. Destination setting (DEST)

The destination setting, language information, and sound pressure regulation information are written in the NAND flash memory.

Note: Not used for the servicing.

4-4-7. Sound pressure regulation setting (SPSET)

ON/OFF of sound pressure regulation is confirmed.

Note: Not used for the servicing.

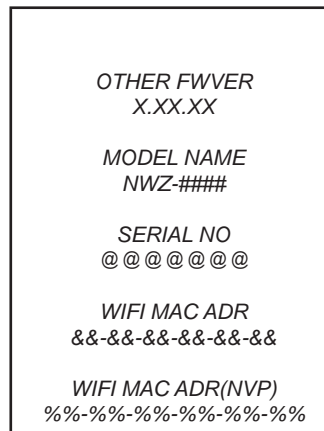
4-4-8. Firmware version check (FWVER)

The firmware version is displayed.

Checking method:

1. Enter the test mode.
2. Press the [▶▶]/[◀◀] key to select the "OTHER" and press the [▶||] key to enter the minor item.
3. Press the [▶▶]/[◀◀] key to select the "FWVER".
4. Press the [▶||] key, the firmware version is displayed.

Screen display



X.XX.XX : Firmware version
 ##### : Model name
 @@@@ : Serial No.
 &&-&&-&&-&&-&&-&&-&& : MAC address of WiFi module
 %%-%%-%%-%%-%%-%%-%% : MAC address of WiFi in NVP

5. Press the [HOME] key, return to minor item selection screen.

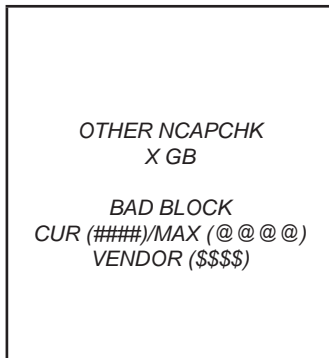
4-4-9. NAND capacity check (NCAPCHK)

Capacity of NAND flash memory, present bad block, maximum bad block, and vender ID are displayed.

Checking method:

1. Enter the test mode.
2. Press the [▶▶|]/[◀◀|] key to select the "OTHER", and press the [▶|] key to enter the minor item.
3. Press the [▶▶|]/[◀◀|] key to select the "NCAPCHK".
4. Press the [▶|] key, capacity of NAND flash memory, present bad block, maximum bad block, and vender ID are displayed.

Screen display

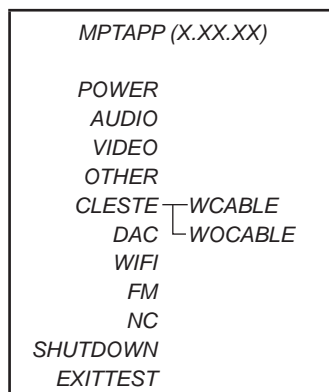


- X : Capacity of NAND flash memory
- @@@@ : Number of present bad block
(It makes an error the acquisition of the number of bad blocks at "-1")
- #### : Number of maximum bud block
(It makes an error the acquisition of the vender ID at "-1")
- \$\$\$\$: Vender ID of NAND flash memory
0x98/0xec (TOSHIBA/SAMSUNG)
(It makes an error the acquisition of the vender ID at "-1")

5. Press the [HOME] key, return to minor item selection screen.

4-5. CLESTE

Screen display



4-5-1. Clear stereo setting (With cable) (WCABLE)

This mode is according to an original sound playback, for adjustment to right and left sound.

Note: Not used for the servicing.

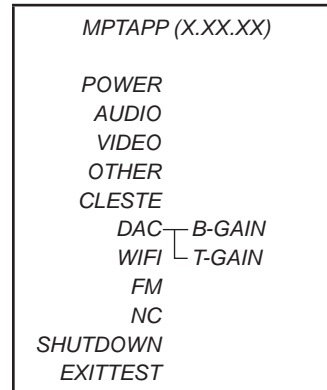
4-5-2. Clear stereo setting (No cable) (WOCABLE)

This mode is according to an original sound playback, for adjustment to right and left sound.

Note: Not used for the servicing.

4-6. DAC

Screen display



4-6-1. BASS-Gain/Fc setting (B-GAIN)

This mode is adjustment for the sound of BASS when playback.

Note: Not used for the servicing.

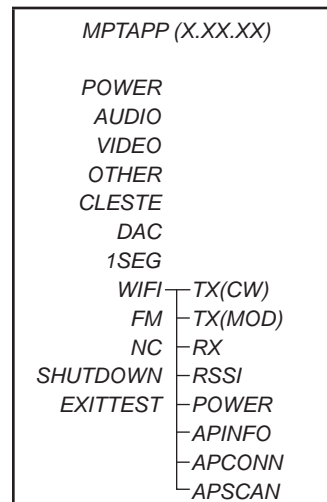
4-6-2. TREBLE-Gain/Fc setting (T-GAIN)

This mode is adjustment for the sound of TREBLE when playback.

Note: Not used for the servicing.

4-7. Wi-Fi (WIFI)

Screen display

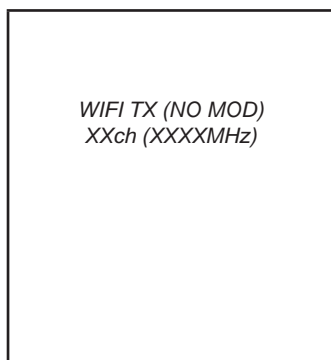


4-7-1. Consecutive no-modulation Wi-Fi transmission (TX (CW))

Checking method:

1. Enter the test mode.
2. Press the [▶▶]/[◀◀] key to select the “WIFI”, and press the [▶] key to enter the minor item.
3. Press the [▶▶]/[◀◀] key to select the “TX(CW)”.
4. Press the [▶] key, the consecutive no-modulation Wi-Fi transmission is begun.

Screen display



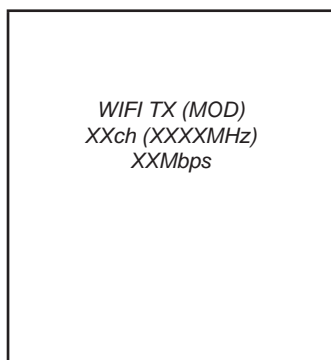
5. In this state, each time the [VOL +]/[VOL -] keys are pressed, the transmission channel is changed.
6. Press the [HOME] key, return to minor item selection screen.

4-7-2. Consecutive modulation Wi-Fi transmission (TX (MOD))

Checking method:

1. Enter the test mode.
2. Press the [▶▶]/[◀◀] key to select the “WIFI”, and press the [▶] key to enter the minor item.
3. Press the [▶▶]/[◀◀] key to select the “TX(MOD)”.
4. Press the [▶] key, the consecutive modulation Wi-Fi transmission is begun.

Screen display



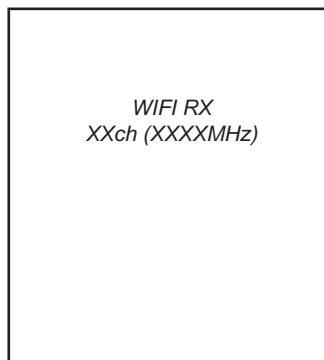
5. In this state, each time the [VOL +]/[VOL -] keys are pressed, the transmission channel is changed.
6. In this state, each time the [▶▶]/[◀◀] keys are pressed, the transmission bit rate is changed.
7. Press the [HOME] key, return to minor item selection screen.

4-7-3. Consecutive Wi-Fi receptions (RX)

Checking method:

1. Enter the test mode.
2. Press the [▶▶]/[◀◀] key to select the “WIFI”, and press the [▶] key to enter the minor item.
3. Press the [▶▶]/[◀◀] key to select the “RX”.
4. Press the [▶] key, the consecutive Wi-Fi reception is begun.

Screen display



5. In this state, each time the [VOL +]/[VOL -] keys are pressed, the reception channel is changed.
6. Press the [HOME] key, return to minor item selection screen.

4-7-4. Wi-Fi RSSI acquisitions (RSSI)

Checking method:

1. Enter the test mode.
2. Press the [▶▶]/[◀◀] key to select the “WIFI”, and press the [▶] key to enter the minor item.
3. Press the [▶▶]/[◀◀] key to select the “RSSI”.
4. Press the [▶] key, the RSSI is acquired. The RSSI is regularly renewed.

Screen display



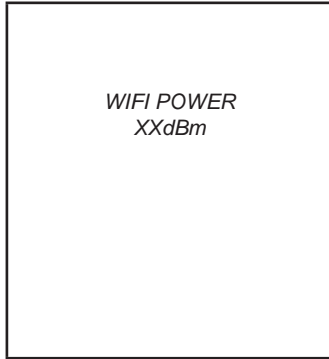
5. Press the [HOME] key, return to minor item selection screen.

4-7-5. Wi-Fi power setting (POWER)

Checking method:

1. Enter the test mode.
2. Press the [▶▶▶]/[◀◀◀] key to select the “WIFI”, and press the [▶▶] key to enter the minor item.
3. Press the [▶▶▶]/[◀◀◀] key to select the “POWER”.
4. Press the [▶▶] key, the power setting is displayed.

Screen display



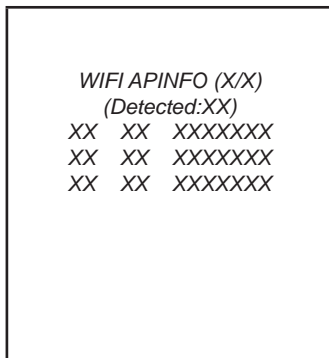
5. In this state, each time the [VOL +]/[VOL -] keys are pressed, the power setting is changed.
6. Press the [HOME] key, return to minor item selection screen.

4-7-6. Wi-Fi access point information acquisitions (APINFO)

Checking method:

1. Enter the test mode.
2. Press the [▶▶▶]/[◀◀◀] key to select the “WIFI”, and press the [▶▶] key to enter the minor item.
3. Press the [▶▶▶]/[◀◀◀] key to select the “APINFO”.
4. Press the [▶▶] key, the Wi-Fi access point is acquired.

Screen display



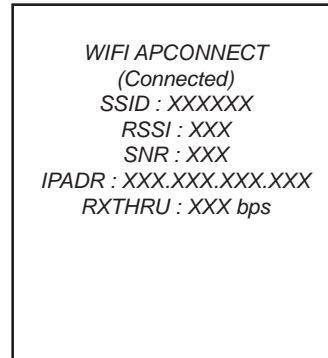
5. In this state, each time the [▶▶▶]/[◀◀◀] keys are pressed, displayed page is changed.
6. In this state, each time the [▶▶] key is pressed, access point information is acquired again.
7. Press the [HOME] key, return to minor item selection screen.

4-7-7. Wi-Fi access point connection (APCONN)

Checking method:

1. Enter the test mode.
2. Press the [▶▶▶]/[◀◀◀] key to select the “WIFI”, and press the [▶▶] key to enter the minor item.
3. Press the [▶▶▶]/[◀◀◀] key to select the “APCONN”.
4. Press the [▶▶] key, the connection with the access point is begun.

Screen display



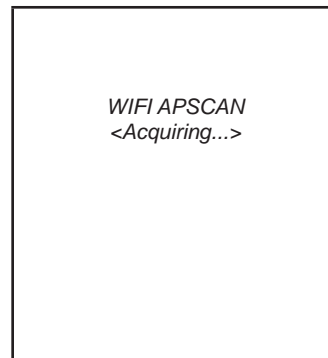
5. Press the [HOME] key, return to minor item selection screen.

4-7-8. Wi-Fi access point consecutive connection (APSCAN)

Checking method:

1. Enter the test mode.
2. Press the [▶▶▶]/[◀◀◀] key to select the “WIFI”, and press the [▶▶] key to enter the minor item.
3. Press the [▶▶▶]/[◀◀◀] key to select the “APSCAN”.
4. Press the [▶▶] key, the consecutive connection with the access point is begun. At this time, the result is not displayed.

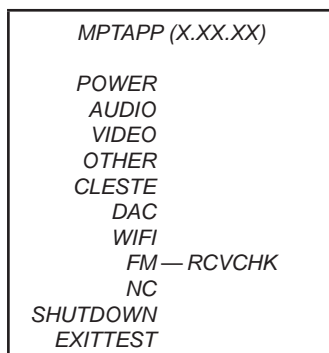
Screen display



5. Press the [HOME] key, return to minor item selection screen.

4-8. FM

Screen display



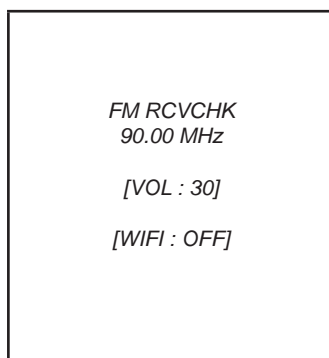
4-8-1. Reception output check (RCVCHK)

FM tuning checked.

Checking method:

1. Enter the test mode.
2. Press the [▶▶]/[◀◀] key to select the “FM”, and press the [▶] key to select the “RCVCHK”.
3. Press the [▶] key, “90.00 MHz”.
4. In this state, each time the [OPTION] key is pressed, frequency is changes in the following order.

Screen display

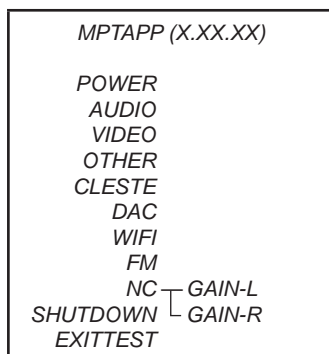


90.00 MHz (default) → 76.00 MHz → 95.75 MHz → 107.75 MHz → 87.50 MHz → 98.00 MHz → 108.00 MHz

5. Press the [HOME] key, return to minor item selection screen.

4-9. NC

Screen display



4-9-1. Microphone gain (L-ch) adjustment (GAIN-L)

Microphone gain (L-ch) is adjusted.

Note: Not used for the servicing.

4-9-2. Microphone gain (R-ch) adjustment (GAIN-R)

Microphone gain (R-ch) is adjusted.

Note: Not used for the servicing.

4-10. Shutdown (SHUTDOWN)

Function that power supply of set can be turned off without ending static test mode.

Procedure:

1. Enter the test mode.
2. Press the [▶▶]/[◀◀] key to select the “SHUTDOWN”, and press the [▶] key to select the “SURE ?”.
3. Press the [▶] key, turn the power off while having entered the test mode.

SECTION 4 DIAGRAMS

THIS NOTE IS COMMON FOR PRINTED WIRING BOARDS AND SCHEMATIC DIAGRAMS.
(In addition to this, the necessary note is printed in each block.)

For Printed Wiring Boards.

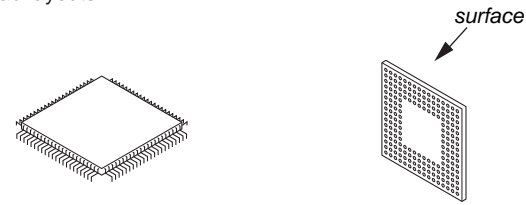
Note:

- : Parts extracted from the conductor side.
- : Pattern from the side which enables seeing. (The other layers' patterns are not indicated.)

Caution:

Pattern face side: Parts on the pattern face side seen from the pattern face are indicated.
Parts face side: Parts on the parts face side seen from the parts face are indicated.

- MAIN board is multi-layer printed board. However, the patterns of intermediate-layers have not been included in diagrams.
- Lead layouts



Lead layout of conventional IC

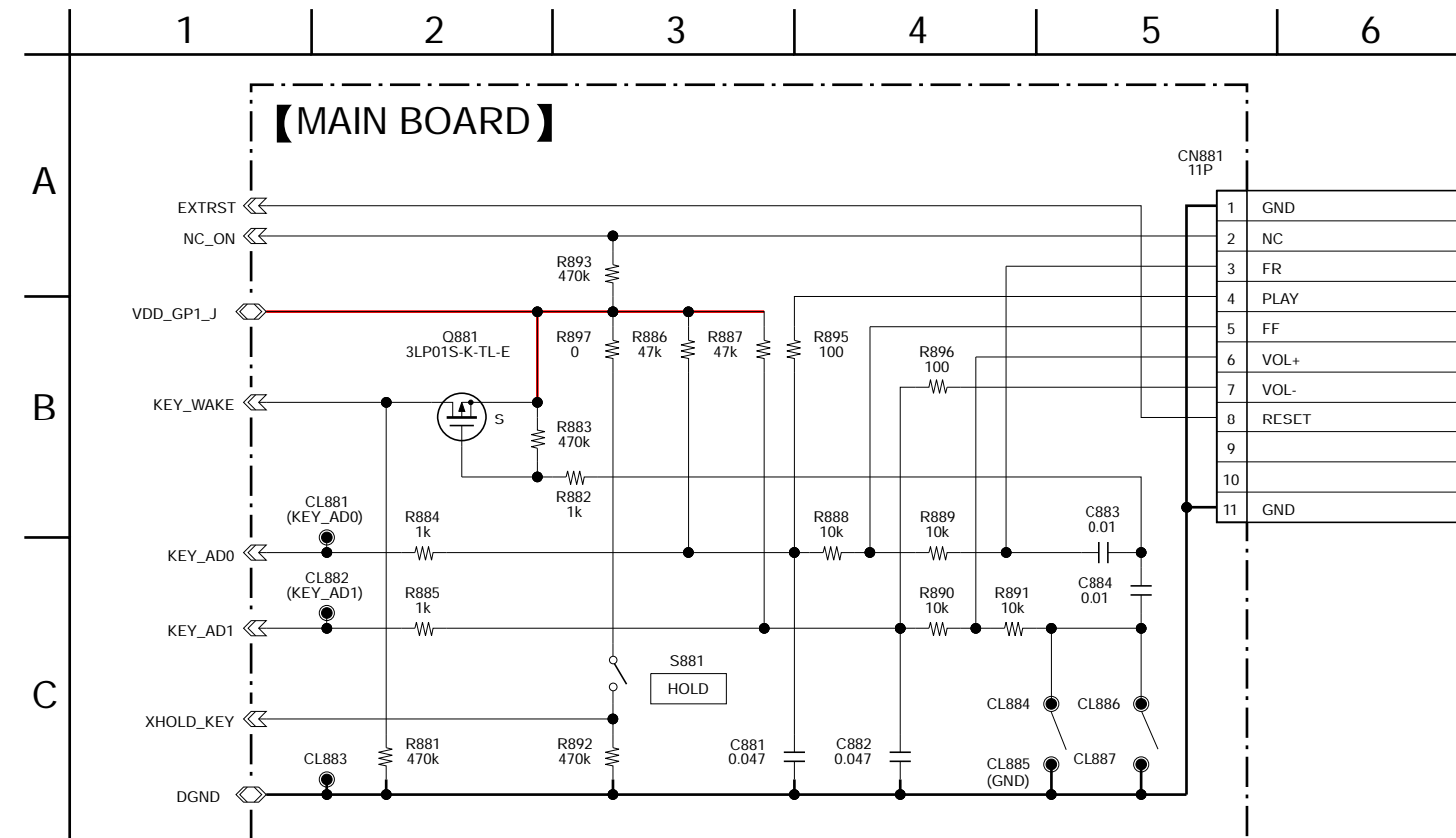
CSP (Chip Size Package)

For Schematic Diagrams.

Note:

- All capacitors are in μF unless otherwise noted. (p: pF) 50 WV or less are not indicated except for electrolytics and tantalums.
- All resistors are in Ω and 1/4 W or less unless otherwise specified.
- : Panel designation.
- : B+ Line.

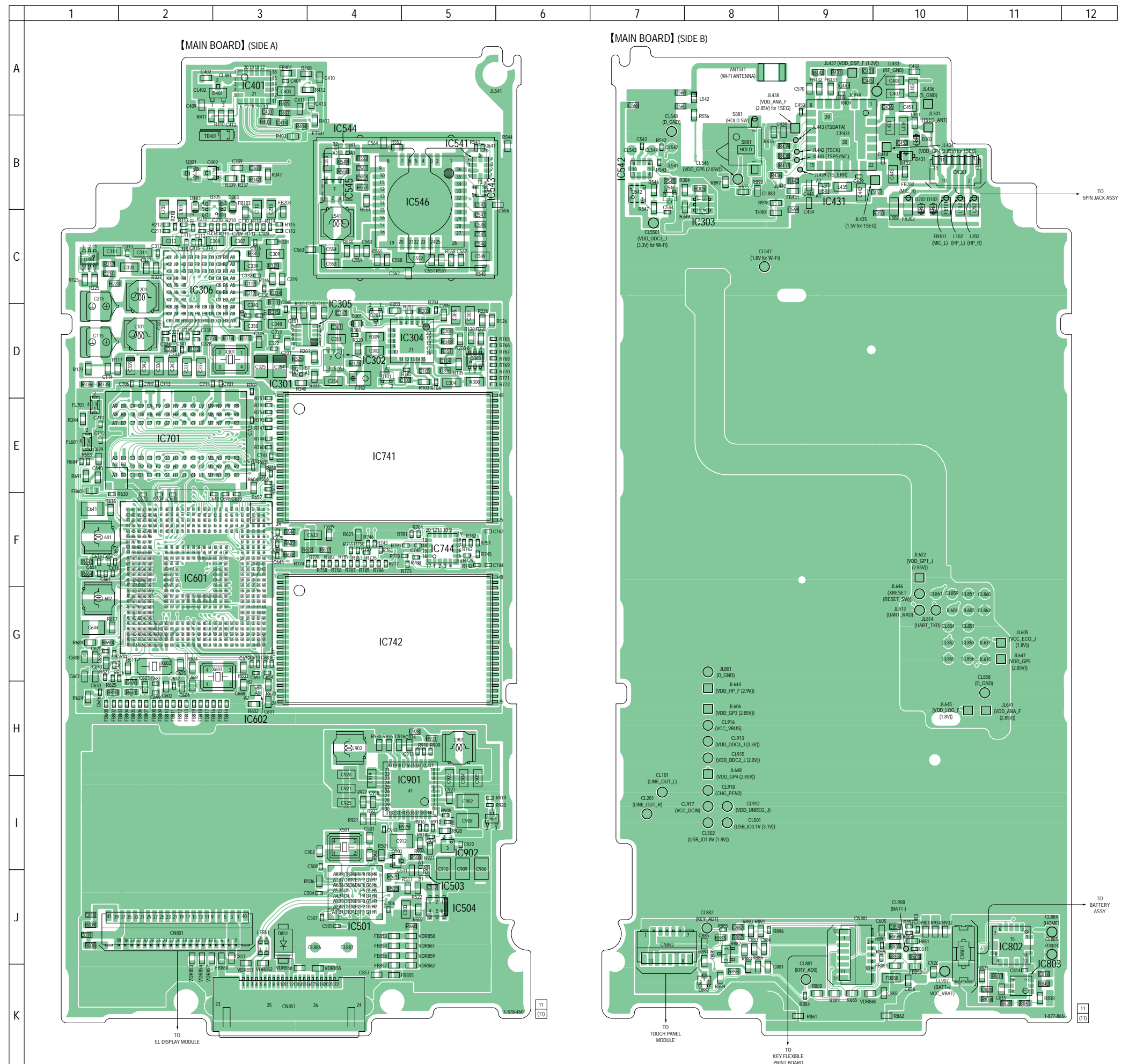
4-1. SCHEMATIC DIAGRAM



Note 1: In this set, only a part of parts that relate to the switch are supplied. Therefore, the schematic diagram excerpts and has described only a part. Replace a part according to "METHOD OF JUDGING RIGHT AND WRONG OF PARTS RELATED TO SWITCH" (page 7) in servicing notes. Exchange the entire mounted board when parts that do not correspond to it are defective.

Note 2: When the MAIN board is replaced, there are some notes. Refer to "NOTE THE MAIN BOARD REPLACING" (page 4) in servicing notes for notes.

4-2. PRINTED WIRING BOARD



Note 1: In this set, only a part of parts that relate to the switch are supplied. Replace a part according to "METHOD OF JUDGING RIGHT AND WRONG OF PARTS RELATED TO SWITCH" (page 7) in servicing notes. Exchange the entire mounted board when parts that do not correspond to it are defective.

Note 2: When the MAIN board is replaced, there are some notes. Refer to "NOTE THE MAIN BOARD REPLACING" (page 4) in servicing notes for notes.

SECTION 5 EXPLODED VIEWS

Note:

- -XX and -X mean standardized parts, so they may have some difference from the original one.
- Items marked "*" are not stocked since they are seldom required for routine service. Some delay should be anticipated when ordering these items.

- The mechanical parts with no reference number in the exploded views are not supplied.

- Color Indication of Appearance Parts Example:

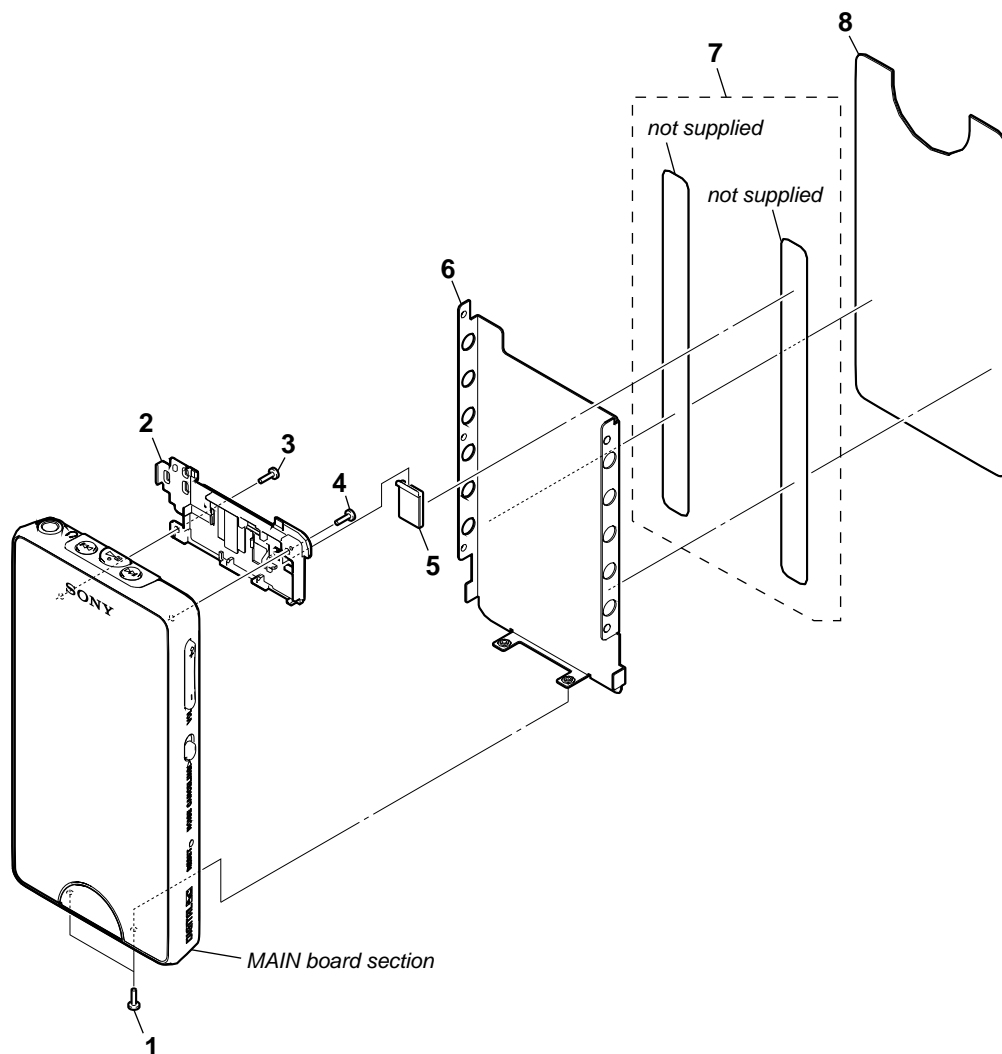
KNOB, BALANCE (WHITE) . . . (RED)

↑ ↑
Parts Color Cabinet's Color

- Abbreviation

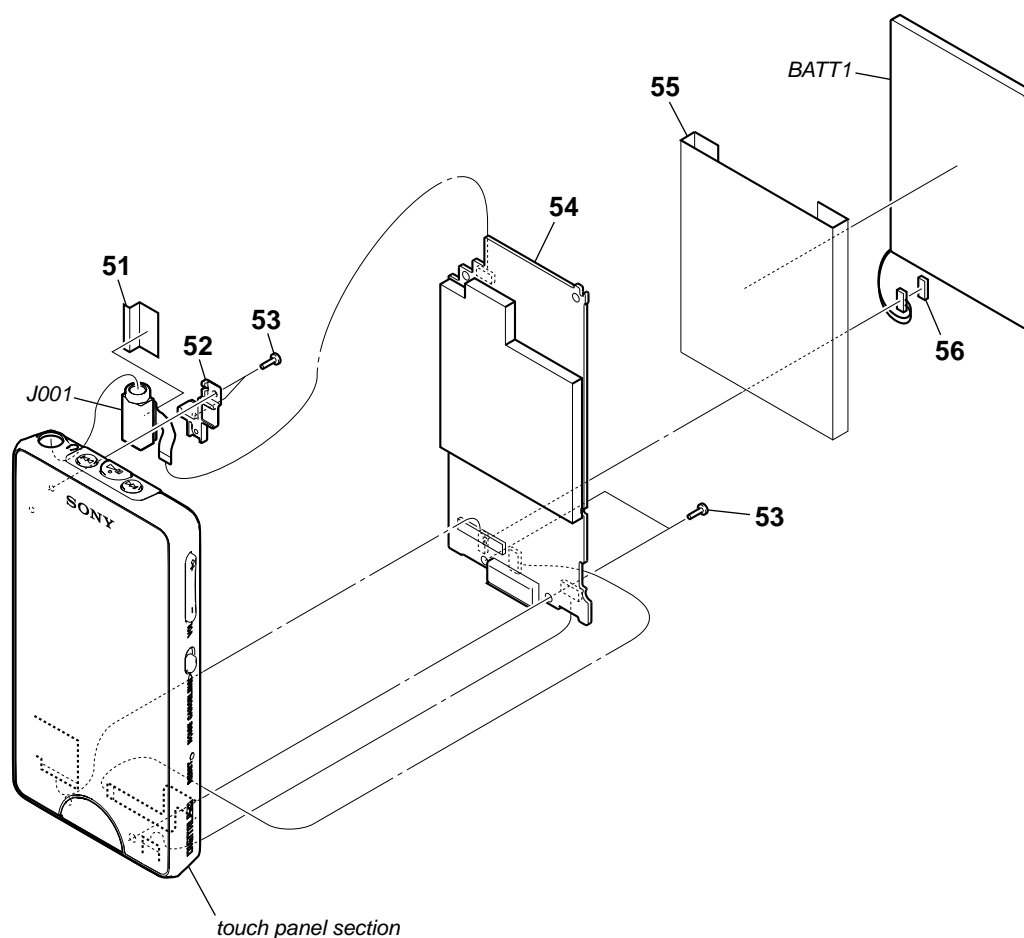
- AUS : Australian model
- CH : Chinese model
- CND : Canadian model
- EE : East European model
- FR : French model
- JE : Tourist model
- MX : Mexican model
- TW : Taiwan model

5-1. PANEL (REAR) SECTION



| Ref. No. | Part No. | Description | Remark | Ref. No. | Part No. | Description | Remark |
|----------|--------------|---------------|--------|----------|--------------|--------------------------------|--------|
| 1 | 4-117-206-01 | SCREW M1.4 | | 6 | 4-112-904-01 | PLATE (REAR) | |
| 2 | A-1717-758-A | HOLD ASSY | | 7 | 4-112-905-01 | SHEET (REAR), ADHESIVE | |
| 3 | 3-254-135-01 | SCREW (B1.4) | | 8 | 4-112-903-01 | PANEL (REAR) (NWZ-X1050/X1060) | |
| 4 | 3-234-449-47 | SCREW (M1.4) | | 8 | 4-112-903-21 | PANEL (REAR) (NWZ-X1051) | |
| 5 | 4-112-900-01 | CATCH (PANEL) | | 8 | 4-112-903-41 | PANEL (REAR) (NWZ-X1061) | |

5-2. MAIN BOARD SECTION



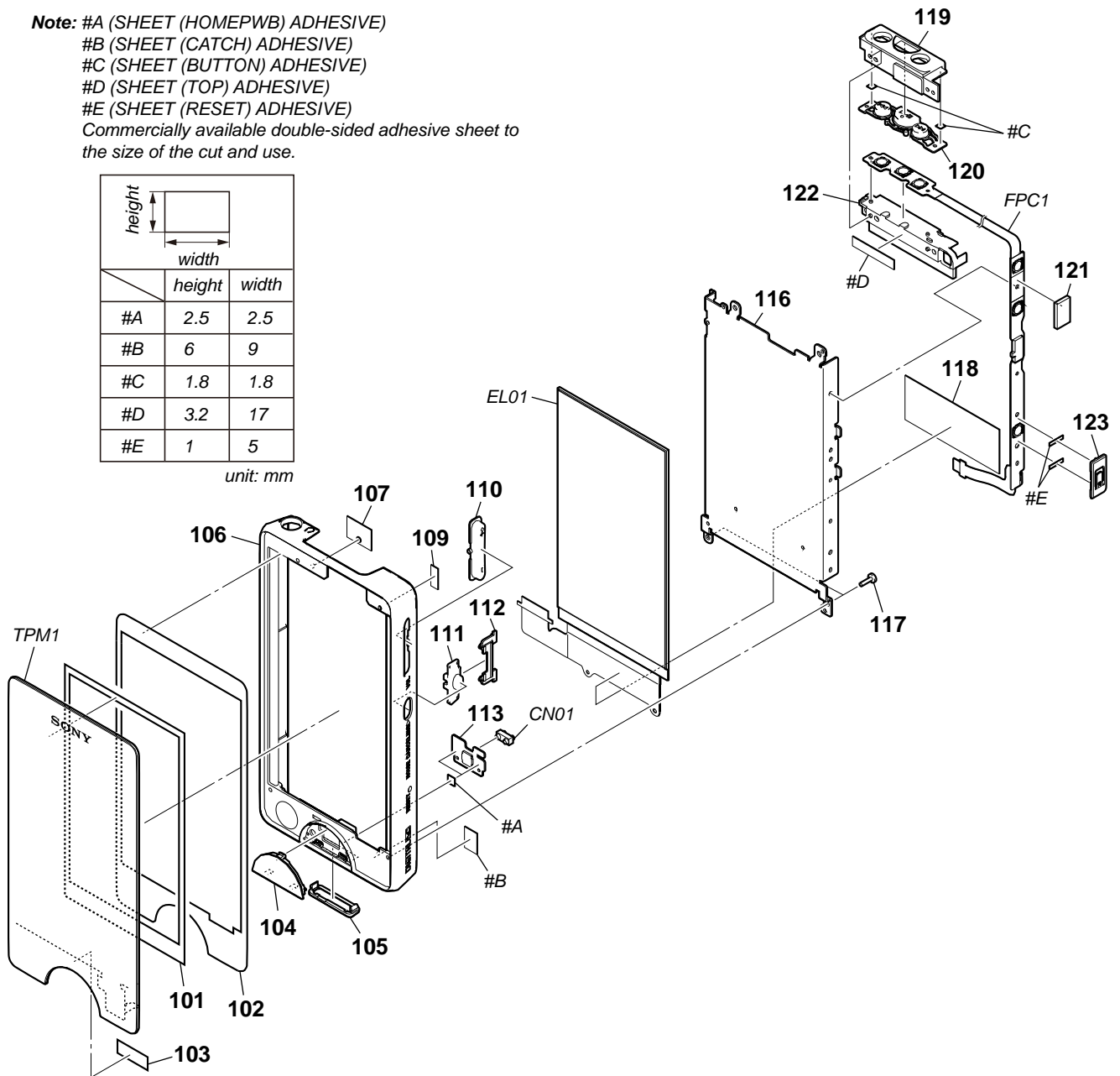
| Ref. No. | Part No. | Description | Remark | Ref. No. | Part No. | Description | Remark |
|----------|--------------|--|-------------------------|----------|--------------|--|----------------------|
| 51 | 4-124-173-01 | SHEET (JACK), INSULATION | | 54 | 9-885-133-48 | MAIN BORAD, COMPLETE (32G) (for SERVICE) | (NWZ-X1060: CH) |
| 52 | 4-112-892-01 | HOLDER (JACK) | | 54 | 9-885-133-49 | MAIN BORAD, COMPLETE (32G) (for SERVICE) | (NWZ-X1060: MX) |
| 53 | 3-234-449-31 | SCREW (M1.4) | | 54 | 9-885-133-50 | MAIN BORAD, COMPLETE (32G) (for SERVICE) | (NWZ-X1060: CND) |
| 54 | 9-885-133-37 | MAIN BORAD, COMPLETE (16G) (for SERVICE) | (NWZ-X1050: E, AUS, JE) | 54 | 9-885-133-51 | MAIN BORAD, COMPLETE (32G) (for SERVICE) | (NWZ-X1060: AEP, UK) |
| 54 | 9-885-133-38 | MAIN BORAD, COMPLETE (16G) (for SERVICE) | (NWZ-X1050: CH) | 54 | 9-885-133-53 | MAIN BORAD, COMPLETE (32G) (for SERVICE) | (NWZ-X1060: FR) |
| 54 | 9-885-133-39 | MAIN BORAD, COMPLETE (16G) (for SERVICE) | (NWZ-X1050: MX) | 54 | 9-885-133-54 | MAIN BORAD, COMPLETE (32G) (for SERVICE) | (NWZ-X1060: EE) |
| 54 | 9-885-133-41 | MAIN BORAD, COMPLETE (16G) (for SERVICE) | (NWZ-X1050: AEP, UK) | 54 | 9-885-133-55 | MAIN BORAD, COMPLETE (32G) (for SERVICE) | (NWZ-X1061) |
| 54 | 9-885-133-43 | MAIN BORAD, COMPLETE (16G) (for SERVICE) | (NWZ-X1050: FR) | 55 | 4-146-231-01 | SHEET (BATTERY), PROTECTION | |
| 54 | 9-885-133-44 | MAIN BORAD, COMPLETE (16G) (for SERVICE) | (NWZ-X1050: EE) | 56 | 4-129-122-01 | CUSHION (B CONNECTOR) | |
| 54 | 9-885-133-45 | MAIN BORAD, COMPLETE (16G) (for SERVICE) | (NWZ-X1051) | BATT1 | X-2349-102-1 | BATTERY ASSY | |
| 54 | 9-885-133-46 | MAIN BORAD, COMPLETE (32G) (for SERVICE) | (NWZ-X1060: TW) | J001 | A-1602-784-A | 5PIN HP JACK ASSY | |
| 54 | 9-885-133-47 | MAIN BORAD, COMPLETE (32G) (for SERVICE) | (NWZ-X1060: E, AUS, JE) | | | | |

5-3. TOUCH PANEL SECTION

Note: #A (SHEET (HOMEPWB) ADHESIVE)
 #B (SHEET (CATCH) ADHESIVE)
 #C (SHEET (BUTTON) ADHESIVE)
 #D (SHEET (TOP) ADHESIVE)
 #E (SHEET (RESET) ADHESIVE)
 Commercially available double-sided adhesive sheet to the size of the cut and use.

| | | |
|----|--------|-------|
| | height | width |
| | height | width |
| #A | 2.5 | 2.5 |
| #B | 6 | 9 |
| #C | 1.8 | 1.8 |
| #D | 3.2 | 17 |
| #E | 1 | 5 |

unit: mm



Note: When the MAIN board is replaced, there are some notes. Refer to "NOTE THE MAIN BOARD REPLACING" (page 4) in servicing notes for notes.

| Ref. No. | Part No. | Description | Remark |
|----------|--------------|--------------------------|--------|
| 101 | 4-112-855-01 | CUSHION (OLED) | |
| 102 | 4-112-862-01 | SHEET (WINDOW), ADHESIVE | |
| 103 | 4-139-129-01 | SPACER (WINDOW) | |
| 104 | A-1717-757-A | BUTTON (HOME) (B) ASSY | |
| 105 | 4-112-860-01 | GUARD (MULTI) | |
| 106 | 4-112-856-01 | FRAME | |
| 107 | 4-112-872-01 | SHEET (LID), ADHESIVE | |
| 109 | 4-119-574-01 | SHEET (LID_B), ADHESIVE | |
| 110 | 4-112-857-01 | BUTTON (VOL) (- VOL +) | |
| 111 | 4-112-858-01 | KNOB (NC) | |
| 112 | 4-112-889-01 | BRACKET (NC) | |
| 113 | A-1602-782-A | HOME KEY BORAD, COMPLETE | |

| Ref. No. | Part No. | Description | Remark |
|----------|--------------|---------------------------|--------|
| 116 | 4-112-886-01 | CHASSIS | |
| 117 | 3-234-449-31 | SCREW (M1.4) | |
| 118 | 4-124-172-01 | SHEET (O-FPC), INSULATION | |
| 119 | 4-112-869-01 | LID (TOP) | |
| 120 | 4-112-868-01 | BUTTON (TOP) (⏪, ⏩, ⏴, ⏵) | |
| 121 | 4-112-891-01 | SPACER (VOL) | |
| 122 | 4-112-870-01 | BASE (TOP) | |
| 123 | 4-112-887-01 | COVER (RESET) | |
| CN01 | 1-822-382-11 | CONNECTOR, DOT | |
| EL01 | 1-802-813-11 | ELEMENT, EL INDICATOR | |
| FPC1 | 1-877-868-11 | KEY FLEXIBLE PRINT BOARD | |
| TPM1 | 1-480-788-11 | TOUCH PANEL MODULE | |

**SECTION 6
ELECTRICAL PARTS LIST**

HOME KEY **MAIN**

Note:

- Due to standardization, replacements in the parts list may be different from the parts specified in the diagrams or the components used on the set.
- -XX and -X mean standardized parts, so they may have some difference from the original one.
- Items marked "*" are not stocked since they are seldom required for routine service. Some delay should be anticipated when ordering these items.
- RESISTORS
All resistors are in ohms.
METAL: Metal-film resistor.
METAL OXIDE: Metal oxide-film resistor.
F: nonflammable
- CAPACITORS
uF: μ F
- COILS
uH: μ H
- SEMICONDUCTORS
In each case, u: μ , for example:
uA. . . : μ A. . . , uPA. . . , μ PA. . . ,
uPB. . . : μ PB. . . , uPC. . . , μ PC. . . ,
uPD. . . : μ PD. . .

- Abbreviation
AUS : Australian model
CH : Chinese model
CND : Canadian model
EE : East European model
FR : French model
JE : Tourist model
MX : Mexican model
TW : Taiwan model

When indicating parts by reference number, please include the board name.

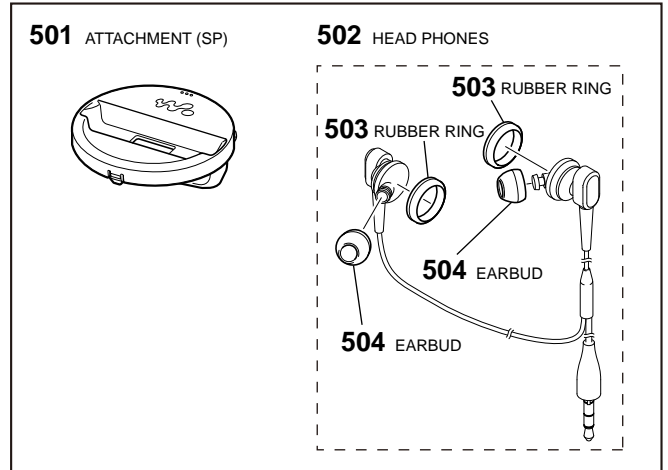
| Ref. No. | Part No. | Description | Remark |
|---|----------------|---|--------|
| | A-1602-782-A | HOME KEY BOARD, COMPLETE ***** | |
| When HOME KEY board is defective, exchange the entire mounted board. ***** | | | |
| 9-885-133-37 | | MAIN BOARD, COMPLETE (16G) (for SERVICE) (NWZ-X1050: E, AUS, JE) | |
| 9-885-133-38 | | MAIN BOARD, COMPLETE (16G) (for SERVICE) (NWZ-X1050: CH) | |
| 9-885-133-39 | | MAIN BOARD, COMPLETE (16G) (for SERVICE) (NWZ-X1050: MX) | |
| 9-885-133-41 | | MAIN BOARD, COMPLETE (16G) (for SERVICE) (NWZ-X1050: AEP, UK) | |
| 9-885-133-43 | | MAIN BOARD, COMPLETE (16G) (for SERVICE) (NWZ-X1050: FR) | |
| 9-885-133-44 | | MAIN BOARD, COMPLETE (16G) (for SERVICE) (NWZ-X1050: EE) | |
| 9-885-133-45 | | MAIN BOARD, COMPLETE (16G) (for SERVICE) (NWZ-X1051) | |
| 9-885-133-46 | | MAIN BOARD, COMPLETE (32G) (for SERVICE) (NWZ-X1060: TW) | |
| 9-885-133-47 | | MAIN BOARD, COMPLETE (32G) (for SERVICE) (NWZ-X1060: E, AUS, JE) | |
| 9-885-133-48 | | MAIN BOARD, COMPLETE (32G) (for SERVICE) (NWZ-X1060: CH) | |
| 9-885-133-49 | | MAIN BOARD, COMPLETE (32G) (for SERVICE) (NWZ-X1060: MX) | |
| 9-885-133-50 | | MAIN BOARD, COMPLETE (32G) (for SERVICE) (NWZ-X1060: CND) | |
| 9-885-133-51 | | MAIN BOARD, COMPLETE (32G) (for SERVICE) (NWZ-X1060: AEP, UK) | |
| 9-885-133-53 | | MAIN BOARD, COMPLETE (32G) (for SERVICE) (NWZ-X1060: FR) | |
| 9-885-133-54 | | MAIN BOARD, COMPLETE (32G) (for SERVICE) (NWZ-X1060: EE) | |
| 9-885-133-55 | | MAIN BOARD, COMPLETE (32G) (for SERVICE) (NWZ-X1061) ***** | |
| < CAPACITOR > | | | |
| C881 | 1-119-923-11 | CERAMIC CHIP 0.047uF 10% 10V | |
| C882 | 1-119-923-11 | CERAMIC CHIP 0.047uF 10% 10V | |
| C883 | 1-164-943-81 | CERAMIC CHIP 0.01uF 10% 16V | |
| C884 | 1-164-943-81 | CERAMIC CHIP 0.01uF 10% 16V | |
| < CONNECTOR > | | | |
| CN881 | (Not supplied) | CONNECTOR, FFC/FPC 11P | |

| Ref. No. | Part No. | Description | Remark |
|------------------------|--------------|-----------------------------|----------------|
| | | < FET > | |
| Q881 | 6-550-747-01 | FET | 3LP01S-K-TL-E |
| < RESISTOR > | | | |
| R881 | 1-218-985-11 | METAL CHIP | 470K 5% 1/16W |
| R882 | 1-218-953-11 | METAL CHIP | 1K 5% 1/16W |
| R883 | 1-218-985-11 | METAL CHIP | 470K 5% 1/16W |
| R884 | 1-240-695-91 | METAL CHIP | 1K 5% 1/20W |
| R885 | 1-240-695-91 | METAL CHIP | 1K 5% 1/20W |
| R886 | 1-208-927-11 | METAL CHIP | 47K 0.5% 1/16W |
| R887 | 1-208-927-11 | METAL CHIP | 47K 0.5% 1/16W |
| R888 | 1-208-911-11 | METAL CHIP | 10K 0.5% 1/16W |
| R889 | 1-208-911-11 | METAL CHIP | 10K 0.5% 1/16W |
| R890 | 1-208-911-11 | METAL CHIP | 10K 0.5% 1/16W |
| R891 | 1-208-911-11 | METAL CHIP | 10K 0.5% 1/16W |
| R892 | 1-218-985-11 | METAL CHIP | 470K 5% 1/16W |
| R893 | 1-240-726-91 | METAL CHIP | 470K 5% 1/20W |
| R895 | 1-240-760-91 | METAL CHIP | 100 0.5% 1/20W |
| R896 | 1-240-760-91 | METAL CHIP | 100 0.5% 1/20W |
| R897 | 1-218-990-81 | SHORT CHIP | 0 |
| < SWITCH > | | | |
| S881 | 1-786-455-32 | SWITCH, PUSH (1 KEY) (HOLD) | ***** |
| MISCELLANEOUS ***** | | | |
| BATT1 | X-2349-102-1 | BATTERY ASSY | |
| CN01 | 1-822-382-11 | CONNECTOR, DOT | |
| EL01 | 1-802-813-11 | ELEMENT, EL INDICATOR | |
| FPC1 | 1-877-868-11 | KEY FLEXIBLE PRINT BOARD | |
| J001 | A-1602-784-A | 5PIN HP JACK ASSY | |
| TPM1 | 1-480-788-11 | TOUCH PANEL MODULE | ***** |

Note 1: In this set, only a part of parts that relate to the switch are supplied. Replace a part according to "METHOD OF JUDGING RIGHT AND WRONG OF PARTS RELATED TO SWITCH" (page 7) in servicing notes. Exchange the entire mounted board when parts that do not correspond to it are defective.

Note 2: When the MAIN board is replaced, there are some notes. Refer to "NOTE THE MAIN BOARD REPLACING" (page 4) in servicing notes for notes.

| Ref. No. | Part No. | Description | Remark |
|----------|--------------|--|--------|
| | | ACCESSORIES ***** | |
| | 1-477-125-23 | ADAPTOR, PLUG (DUAL) (Plug adaptor for in-flight use (single/dual)) | |
| | 1-835-737-12 | CONNECTION CORD (EXTERNAL AUDIO) (Audio input cable) | |
| | 1-835-940-11 | CORD, PC CONNECTION (USB cable) | |
| | 4-137-988-11 | MANUAL (QSG), INSTRUCTION (Quick Start Guide) (ENGLISH) | |
| | 4-137-988-21 | MANUAL (QSG), INSTRUCTION (Quick Start Guide) (FRENCH) (CND, AEP, UK, FR) | |
| | 4-137-988-31 | MANUAL (QSG), INSTRUCTION (Quick Start Guide) (GERMAN) (AEP, UK) | |
| | 4-137-988-41 | MANUAL (QSG), INSTRUCTION (Quick Start Guide) (SPANISH) (AEP, UK, MX) | |
| | 4-137-988-51 | MANUAL (QSG), INSTRUCTION (Quick Start Guide) (ITALIAN) (AEP, UK) | |
| | 4-137-988-61 | MANUAL (QSG), INSTRUCTION (Quick Start Guide) (RUSSIAN) (EE) | |
| | 4-137-988-71 | MANUAL (QSG), INSTRUCTION (Quick Start Guide) (SIMPLIFIED CHINESE) (E, AUS, CH, JE) | |
| | 4-137-988-81 | MANUAL (QSG), INSTRUCTION (Quick Start Guide) (TRADITIONAL CHINESE) (E, AUS, TW, JE) | |
| | 4-137-988-91 | MANUAL (QSG), INSTRUCTION (Quick Start Guide) (KOREAN) (E, AUS, JE) | |
| | 4-137-989-11 | MANUAL (QSG), INSTRUCTION (Quick Start Guide) (UKRAINIAN) (EE) | |
| | 4-137-989-31 | MANUAL (QSG), INSTRUCTION (Quick Start Guide) (ARABIC) (E, AUS, JE) | |
| | X-2349-337-1 | SOFT APPLICATION ASSY (CD-ROM: Windows Media Player 11/Content Transfer/Operation Guide (PDF file)) (NWZ-X1051/X1061) | |
| | X-2349-338-1 | SOFT APPLICATION ASSY (CD-ROM: Media Manager for WALKMAN/Windows Media Player 11/ Content Transfer/ Operation Guide (PDF file)) (NWZ-X1050/X1060) | |
| 501 | 4-112-967-01 | ATTACHMENT (SP) (Use when connecting the player to the optional cradle, etc.) | |
| 502 | A-1565-550-A | MDR-NC020LP/BM19 (SET) (Headphones) (Including RUBBER RING and EARBUDS (size S/M/L)) | |
| 503 | 2-699-564-02 | RING, RUBBER | |
| 504 | 3-272-845-21 | PIECE (S), EAR (Earbud) (size S) | |
| 504 | 3-272-846-21 | PIECE (M), EAR (Earbud) (size M) | |
| 504 | 3-272-847-21 | PIECE (L), EAR (Earbud) (size L) | |



Free Manuals Download Website

<http://myh66.com>

<http://usermanuals.us>

<http://www.somanuals.com>

<http://www.4manuals.cc>

<http://www.manual-lib.com>

<http://www.404manual.com>

<http://www.luxmanual.com>

<http://aubethermostatmanual.com>

Golf course search by state

<http://golfingnear.com>

Email search by domain

<http://emailbydomain.com>

Auto manuals search

<http://auto.somanuals.com>

TV manuals search

<http://tv.somanuals.com>