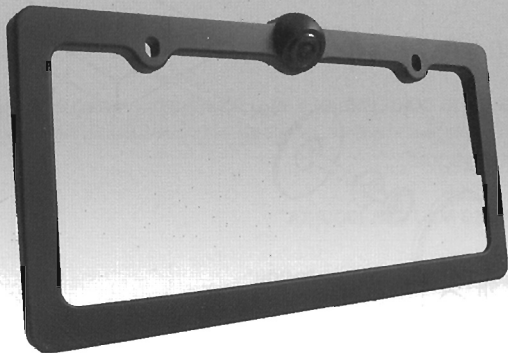


License plate camera

WATERPROOF CAMERA INSTRUCTION MANUAL



VLP-1CA (COLOR Camera)

THE NEW TREND IN MOBILE VIDEO

SOUNDSTREAM Montebello, CA 90640
Made in Korea

- Please read the manual before use and the specification may change without notice for quality improvement.
- Do not disassemble, This may cause unexpected leakage in case of disassembling for any purpose.

Download from www.Somanuals.com. All Manuals Search And Download.

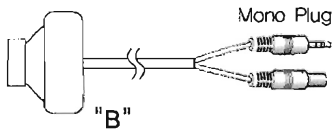
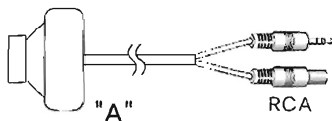
FEATURES

- Ultra miniature size car rear view camera
- Water, fog and dust proof high quality
- 1/4 inch ccd one chip package.
- Wide angle lens (150 degree)
- Designed for installation on the rear license plate.
- Damage, theft and scratch resistant.
- Backlight compensation circuit.
- Compatible with any monitor.
- Easy Installation.
- License plate color camera with adjustable viewing angle.
- 1/4" CCD 1LUX Low light color camera.
- Multiple camera angle.
- Din connector & RCA outputs.
- Reversed Image.

APPLICATION

Good for RV/SUV
Small and Slim Design does not affect the original design of Car Rear Part.

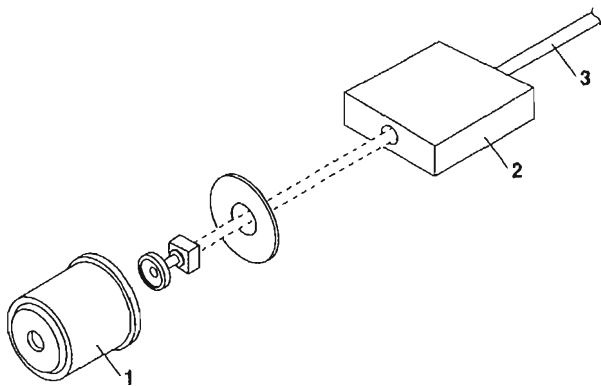
SYSTEM LAYOUT



A Check distributing wires, when connecting to camera with TV or in dash monitor.

B Use the mono plug connector, when connecting to dashboard monitor.

COMPOSITION



Product Assembled View

Lens Part (1) : Horizontal 150 degree Color CCD Built in

Main Part (2) : 12/24 voltage dual voltage power circuit and Camera Circuit Built in

Cable part (3) : Noise protection cable more than 18FT. (6M)

※ **This Product includes License Plate.**

While using provided License Plate, you may easily install the products.

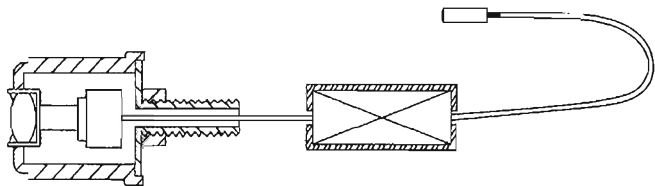
CAUTIONS IN INSTALLATION

- 1) Assemble the camera's main body and lens quickly in a clear place to avoid dust.
- 2) As this camera has high resolution and is composed of very precise components, be careful not to drop it or do not shock to it during assembly.
- 3) Do not install it facing the sun so that the direct ray of light may not come through the lens.
- 4) Avoid places where shaking happens often.
- 5) Do not pull the cable. It may cause disconnection or shorts of wire.
- 6) Do not touch the inside of camera even if troubles happened. Just contact A/S center nearby.
- 7) Install it safe so that no water goes into it. Contact the agent who sold the unit (A/S center) when water goes into it.
- 8) Temperature of the spot should be within the allowed range specified in the specification.
- 9) If it appears to be defective, put off the power and contact the selling agent nearby (A/S center). Further use may lead to greater troubles.
- 10) Before installation, make sure disconnect the power supply first, check the ground connection, and then install it.
- 11) It may cause damage or loss upon waterproof coating of the cable.

SELF-CHECK POINTS BEFORE ASKING AFTER SERVICE

CONDITIONS	CHECKING POINTS
If the screen is not turned on.	<ul style="list-style-type: none">• Check if the power is connected for sure and correctly. (Check the DC power +/-)• Check if the iris is closed or if it is adjusted correctly• Check if the cable is connected correctly.
If the screen is not clear or is spread.	<ul style="list-style-type: none">• If dust is seen through the monitor screen after fixing lens, disassemble the lens and clear off the dust on the surface of CCD with blower or soft cloths.• Check if the lens is focused properly• Check if the monitor color and brightness is adjusted properly

ASSEMBLE



Step 1. You need tools (6mm drill) make a hole to 6mm (centre position)

Step 2. Next, you must put in the camera to the hole, you must be fixed license plate camera

Step 3. You must connect to main control box, and then connect with DC power (Red : + , Black : -)

Step 4 : Finally, you must check you camera to monitor (RCA : In dash monitor / Mono plug : On dash monitor)

SPECIFICATIONS

Description	VLP-1CA (COLOR Camera)	
Image sensor	1/4 Inch CCD 270K pixel	
Effective pixel	H510 × V492	
Scanning system	525line 2:1 Interlacing	
Sync. System	Internal synchronization	
Scanning frequency	(H)15.734KHzX(V)59.94Hz	
Sub carrier	54MHz	
Horizontal resolution	330 TV lines above (at F1.4 Lens)	
Video output	VBS 1.0Vp-p./75 Ω (Video signal : 0.714Vp-p, Sync.signal : 0.286Vp-p)	
S/N ratio	48dB above (AGC off, $\gamma=1$, Y signal)	
Gamma(γ)	$\gamma=0.45$	
Standard Lux	1.000 Lux F 4.0 (3,200° K)	
Min. Illumination	1.0 Lux at F 1.4 AGC ON	
Lens	150° (f=1.9 , F2.0)	
Gain control	Automatic gain control (0~18dB)	
White balance	Automatic white balance control	
Auto iris	Electronic auto iris	
Shutter speed	1/60 ~ 1/100,000	1/50 ~ 1/100,000
Input voltage	DC 12V ± 1V/110mA Max	
Ambient Temperature	-10°C ~50°C H	
Dimensions	28.5 ϕ × 17(W) mm	
Housing material	Aluminum Housing & Plastic	

WARRANTY CARD

PRODUCT NAME		PERIOD 1YEAR
MODEL NAME		
PURCHASE DATE	. . .	
WARRANTY PERIOD	. . .	

CUSTOMER'S ADDRESS:	NAME	
	TEL	
AGENT'S ADDRESS:	NAME	
	TEL	

※ Be sure to fill in the blank when the unit is sold.

◆ HOW TO REQUEST FOR AFTER SALE SERVICE

- 1) If the thought to be defective comes up, please read the manual again before calling A/S. As minor defects may happen by an unauthorized or improper handling of the unit, many of defects can be solved by the user himself with only a simple touch after looking over the instruction and cautions in the manual.
- 2) How to request after-sale service.
Please describe problems in detail on this card when you ask A/S service.
After presentation of this warranty card with the details, you can get the service at free of charge or with some expenses according to the contents of the written details.
- 3) Following cases should be paid for A/S even within the warranty period.
 - a. When defects are caused by the careless handling of the user.
 - b. When improper or unauthorized repairs are done or when the inside is modified or damaged.
 - c. Defects caused by natural disaster or power problem.
 - d. When the warranty card is not filled in or corrected unconfirmed or lost
- 4) Please be careful of keeping this warranty card as it won't be reissued.
- 5) Please surely present the warranty card in A/S request.

SOUNDSTREAM *Head office*
Montebello, CA 90640

Free Manuals Download Website

<http://myh66.com>

<http://usermanuals.us>

<http://www.somanuals.com>

<http://www.4manuals.cc>

<http://www.manual-lib.com>

<http://www.404manual.com>

<http://www.luxmanual.com>

<http://aubethermostatmanual.com>

Golf course search by state

<http://golfingnear.com>

Email search by domain

<http://emailbydomain.com>

Auto manuals search

<http://auto.somanuals.com>

TV manuals search

<http://tv.somanuals.com>