

# **FT 484**

4-Line Telephone with Display

## **INSTALLATION AND OPERATION MANUAL**



**Southwestern Bell  
Telecom**

## FCC WANTS YOU TO KNOW

This equipment complies with Part 68 of the FCC rules. On the bottom of the base of this equipment is a label that contains, among other information, the FCC Registration Number and Ringer Equivalence Number (REN) for this equipment. You must, upon request, provide this information to your Telephone Company.

The REN is useful to determine the quantity of devices you may connect to your telephone line and still have all of those devices ring when your telephone number is called. In most, but not all areas, the sum of the RENs of all devices connected to one line should not exceed five (5.0). To be certain of the number of devices you may connect to your line, as determined by the REN, you should contact your local Telephone Company to determine the maximum REN for your calling area.

If your telephone equipment causes harm to the telephone network, the Telephone Company may discontinue your service temporarily. If possible, they will notify you in advance. But if advance notice isn't practical, you will be notified as soon as possible. You will be informed of your right to file a complaint with the FCC.

Your Telephone Company may make changes in its facilities, equipment, operations or procedures that could affect the proper functioning of your equipment. If they do, you will be notified in advance to give you an opportunity to maintain uninterrupted telephone service.

If you experience trouble with this telephone equipment, the Telephone Company may ask that you disconnect this equipment from the network until the problem has been corrected or until you are sure that the equipment is not malfunctioning.

This equipment may not be used on coin service provided by the Telephone Company. Connection to party lines is subject to state tariffs.

# IMPORTANT SAFETY INSTRUCTIONS

**BEFORE USING YOUR TELEPHONE EQUIPMENT, BASIC SAFETY PRECAUTIONS SHOULD ALWAYS BE FOLLOWED TO REDUCE THE RISK OF FIRE, ELECTRIC SHOCK AND INJURY TO PERSONS, INCLUDING THE FOLLOWING:**

1. Read and understand all instructions.
2. Follow all warnings and instructions marked on the product.
3. Unplug this product from the wall telephone jack and power outlet before cleaning. Do not use liquid cleaners or aerosol cleaners. Use a damp cloth for cleaning.
4. Do not use this product near water, for example, near a bath tub, wash bowl, kitchen sink or laundry tub, in a wet basement, or near a swimming pool.
5. Do not place this product on an unstable cart, stand, or table. The product may fall, causing serious damage to the product.
6. Slots or openings in the cabinet and the back and bottom are provided for ventilation, to protect it from overheating. These openings must not be blocked or covered. The openings should never be blocked by placing the product on a bed or other similar surface. This product should never be placed near or over a radiator or heat register.
7. This product should be operated only from the type of power source indicated on the marking label. If you are not sure of the type of power supply to your home, consult your dealer or local power company.
8. Do not allow anything to rest on the power cord. Do not locate this product where the cord will be abused by persons walking on it.
9. Do not overload wall outlets and extension cords as this can result in the risk of fire or electric shock.
10. Never push objects of any kind into this product through cabinet slots as they may touch dangerous voltage points or short out parts that could result in the risk of fire or electric shock. Never spill liquid of any kind on the product.
11. To reduce the risk of electric shock, do not disassemble this product, but take it to a qualified serviceman when some service or repair work is required. Opening or removing covers may expose you to dangerous voltages or other risks. Incorrect reassembly can cause electric shock when the appliance is subsequently used.
12. Unplug this product from the wall outlet and refer servicing to qualified service personnel under the following conditions:
  - a. When the power supply cord or plug is damaged or frayed.
  - b. If liquid has been spilled into the product.
  - c. If the product has been exposed to rain or water.
  - d. If the product does not operate normally by following the operating instructions. Adjust only those controls that are covered by the operating instructions because improper adjustment of other controls may result in damage and will often require extensive work by a qualified technician to restore the product to normal operation.
  - e. If the product has been dropped or cabinet has been damaged.
  - f. If the product exhibits a distinct change in performance.

13. Avoid using a telephone (other than a cordless type) during an electrical storm. There may be a remote risk of electric shock from lightning.
  14. Do not use the telephone to report a gas leak in the vicinity of the leak.
- 

## **BATTERIES: CAUTION**

1. Use only AAA-size batteries, preferably alkaline.
2. Do not dispose of the batteries in a fire. The cells may explode. Check with local codes for possible special disposal instructions.
3. Do not open or mutilate the batteries. Released electrolyte is corrosive and may cause damage to the eyes or skin. It may be toxic if swallowed.
4. Exercise care in handling batteries in order not to short the battery with conducting materials such as rings, bracelets, and keys. The battery or conductor may overheat and cause burns.
5. Do not attempt to recharge the batteries identified for use with this product. The batteries may leak corrosive electrolyte or explode.
6. Do not attempt to rejuvenate the batteries identified for use with this product by heating them. Sudden release of the battery electrolyte may occur causing burns or irritation to eyes or skin.
7. When replacing batteries, all batteries should be replaced at the same time. Mixing fresh and discharged batteries could increase internal cell pressure and rupture the discharged batteries.
8. When inserting batteries into this product, the proper polarity or direction must be observed. Reverse insertion of batteries can cause charging, and that may result in leakage or explosion.
9. Remove the batteries from this product if the product will not be used for a long period of time (several months or more) since during this time the battery could leak in the product.
10. Discard "dead" batteries as soon as possible since "dead" batteries are more likely to leak in a product.
11. Do not store this product, or the batteries identified for use with this product, in high temperature areas. Batteries that are stored in a freezer or refrigerator for the purpose of extending shelf life should be protected from condensation during storage and defrosting. Batteries should be stabilized at room temperature prior to use after cold storage.

## **SAVE THESE INSTRUCTIONS**

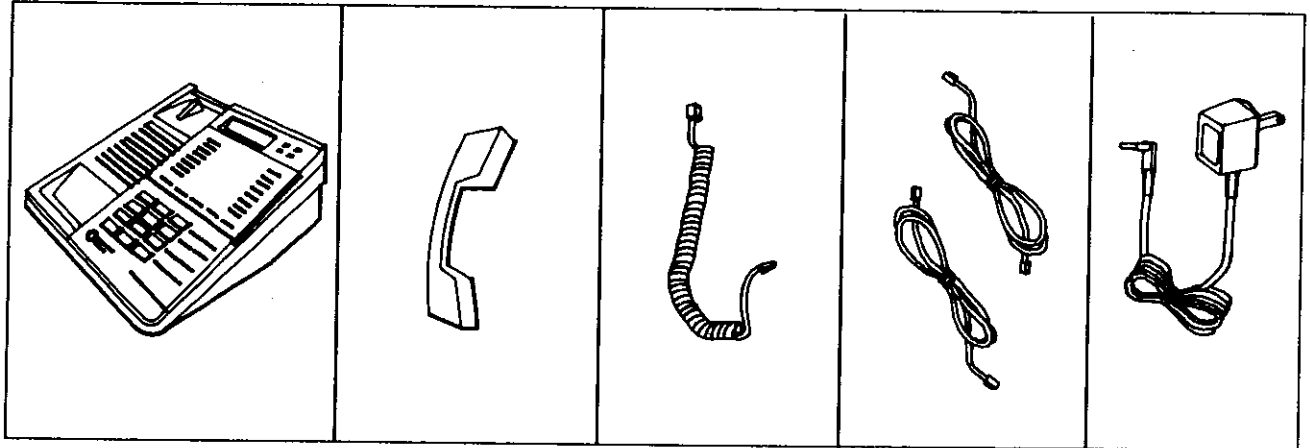
# TABLE OF CONTENTS

IMPORTANT SAFETY INSTRUCTIONS .....	1,2
UNPACKING .....	4
LOCATION OF CONTROLS .....	5,6
SYSTEM AND FEATURES DESCRIPTION .....	7
<b>INSTALLATION</b>	
I. TELEPHONE LINE CONNECTIONS FOR THE SYSTEM .....	8
SELECT LOCATIONS	
II. LINE CORD ADAPTERS YOU MAY NEED .....	8
III. BATTERIES .....	9
INSTALLING THE BATTERIES	
IV. TELEPHONE INSTALLATION .....	9-11
ON A DESK OR TABLE; MOUNTING ON A WALL	
V. SETTING THE CLOCK AND CALENDAR .....	12
VI. PROGRAMMING PULSE OR TONE SERVICE .....	12
VII. ASSIGNING STATION NUMBERS .....	13
PROGRAMMING YOUR STATION NUMBER	
WHAT THE LED'S INDICATE .....	14
WHAT IS INDICATED ON THE DISPLAY .....	15
NORMAL DISPLAY; LOW BATTERY DISPLAY; LCD DISPLAY PRIORITY	
<b>OPERATION</b>	
I. OUTSIDE LINE	
A. RINGER VOLUME .....	16
RINGING ON EACH LINE, SPEAKERPHONE	
B. PLACING AN OUTSIDE CALL .....	16,17
C. ANSWERING AN OUTSIDE CALL .....	17
D. PLACING AND RELEASING A CALL ON HOLD .....	17,18
E. LAST NUMBER REDIAL (LNR) .....	18
F. RECORDING THE LENGTH OF A CALL .....	18
G. SPEED DIALING .....	18-20
STORING, DIALING, AND ERASING NUMBERS; PAUSE FUNCTION	
H. CALL PRIVACY .....	21
I. CONFERENCE .....	21
J. DO NOT DISTURB (DND) .....	21
K. CALL WAIT .....	22
L. MUTE .....	22
M. CALL TRANSFER .....	22,23
N. USING CUSTOM SERVICES .....	23
O. ADJUSTING THE SPEAKER VOLUME .....	23
II. INTERCOM	
A. PLACING AN INTERCOM CALL .....	24
B. ANSWERING AN INTERCOM CALL .....	25
C. PAGING ALL STATIONS IN THE SYSTEM (ALL STATION PAGE) .....	25,26
D. PAGING A STATION (INDIVIDUAL PAGE) .....	26
III. IF YOU ARE USING THE ACC 484 CALLER ID SERVER .....	27-32
AREA CODE PROGRAMMING; CALLER ID INFORMATION DISPLAY	
CARE AND MAINTENANCE, RADIO FREQUENCY INTERFERENCE .....	34
PROBLEMS YOU CAN SOLVE .....	35
REPAIR SERVICE .....	36
WALL-MOUNTING TEMPLATE .....	37
LIMITED WARRANTY .....	38

**CONGRATULATIONS!** You have purchased a **4-LINE TELEPHONE with DISPLAY** that is an integral part of a system that will fill all of your present needs. This telephone has been manufactured to the high standards set by Southwestern Bell Telecom. As you read this manual, you will realize that you have a multitude of functions at your fingertips. In order to take advantage of these useful features, install the system and operate the FT 484 by following the instructions printed here in the manual.

## UNPACKING

When you unpack this carton you will find:



BASE UNIT  
&  
PEDESTAL

HANDSET

COILED  
CORD

TWO 7'  
LINE CORDS

AC  
ADAPTER

If there is visible damage to the unit, notify your dealer or shipping carrier immediately.

- Keep the packing material for storing the FT 484 or for shipping the unit if returned.
- Keep the printed literature for reference.
- Keep a record of the Serial Number (printed on the label on the bottom of the telephone base).

MODEL NO. FT 484

SERIAL NO. \_\_\_\_\_

PURCHASED FROM \_\_\_\_\_

DATE \_\_\_\_\_

## GLOSSARY

Words you will see and what they mean:

**STATION** - Any FT 484 telephone in this system.

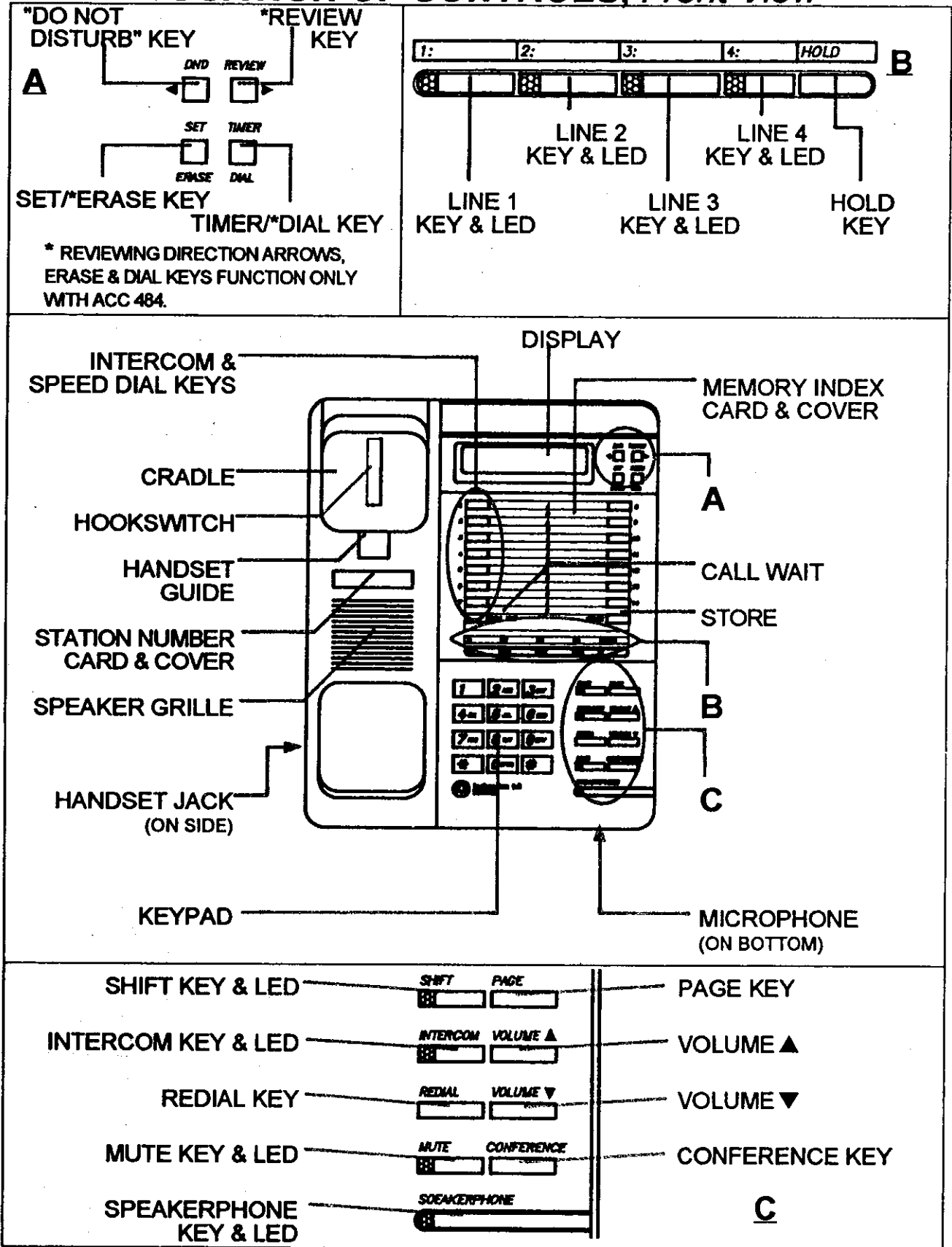
**INTERCOM** - A call placed from one station to another station within the system.

**HANDSET** - The part of the phone held in the hand to speak and listen.

**DISPLAY** - Liquid Crystal Display showing clock and calendar, number dialed, Intercom, Page, and call duration.

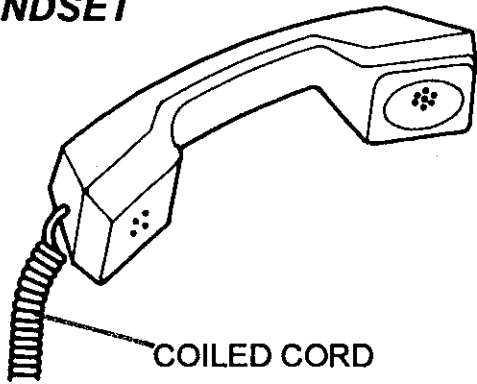
**LED** (Light-Emitting Diode) - status of light (on, off or flashing) indicates status of a function. See page 14 for LED Indications.

# LOCATION OF CONTROLS, Front View

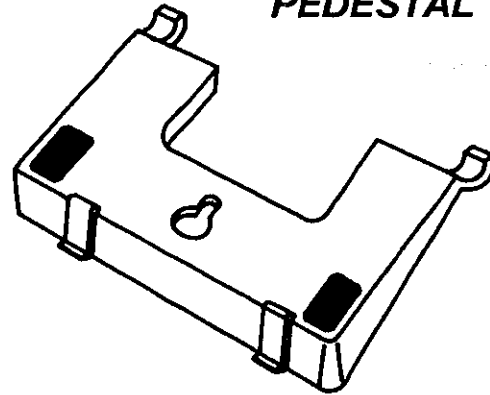


# LOCATION OF CONTROLS, cont'd

**HANDSET**



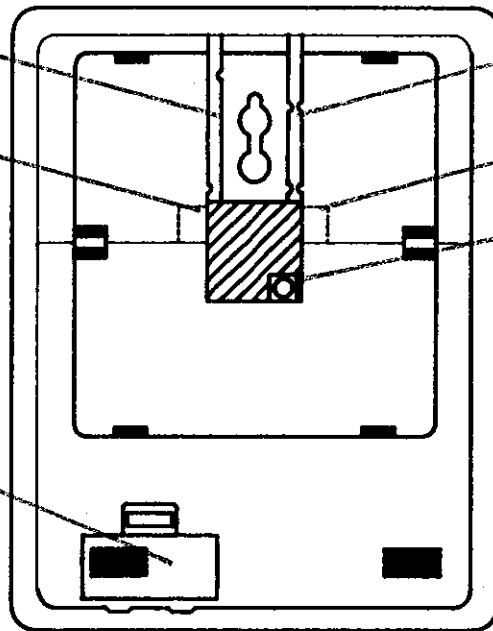
**PEDESTAL**



GROOVE FOR  
TELEPHONE LINES

JACK FOR  
LINES 1 & 2

BATTERY  
COMPARTMENT  
COVER



GROOVE FOR  
AC ADAPTER LINE

JACK FOR  
LINES 3 & 4

POWER JACK

**REAR VIEW**



---

# SYSTEM AND FEATURES DESCRIPTION

## SYSTEM:

- The FT 484 is designed to allow the user to set up a system easily, without the need for any additional equipment (KSU) or the help of a specialist. With these telephones you can assemble up to an 8-telephone interacting system, using 2, 3 or 4 C.O. Lines and a system Intercom.
- ACC 484 (Caller ID Server) - Optional accessory which allows display of incoming caller's telephone number, as well as review, storage and dialing of past numbers (special local telephone company service required).

## FEATURES:

- **Auto-Line Selection-** When placing or answering a call, the next available Line in sequence will be accessed without the need for manual selection.
- **Hold-** A call can be placed on HOLD and accessed by any station in the system.
- **Pulse/Tone Switch-** Enables you to switch from PULSE (rotary) to TONE dialing, whatever your service may be.
- **Selectable Ring Assignment-** The loudness of the rings for each line can be regulated individually.
- **Intercom-** Any two stations in this system that are connected to Line 1 can communicate with each other.
- **All System Paging-** Your page can be heard by all stations in the system.
- **Station-to-Station Paging-** Page an individual station through the intercom.
- **Last Number Redial-** Pressing one button redials the last number you called.
- **Conferencing-** Conference can be established between two stations in the system and an outside party, or between your station and two outside parties.
- **Speakerphone-** Built-in speaker and microphone allow handsfree use of the telephone.
- **Speed Dialing-** Program 28 different telephone numbers in this station for speed dialing.
- **Call Privacy-** No other station can access your outside call unless you allow it.
- **Do Not Disturb-** Lock out Paging, Intercom and outside line calls for added privacy.
- **Pause-** Insert a momentary delay in the dialing sequence of a stored telephone number.
- **Tone-** Even with Pulse (rotary) telephone service, you can temporarily switch to Tone by pressing the STAR "\*" key.
- **Call Wait-** Reach various Centrex services, or answer a second call on a line already in use (if you have this service from your phone company).
- **Mute-** Converse privately with those in the room with you without the party on the other end of the line hearing this conversation.
- **Wall Mountable-** Easily mounted on the wall or used horizontally on a desk.
- **Hearing Aid Compatible** - This telephone can be used with a properly equipped hearing aid.

# INSTALLATION

## I. TELEPHONE LINE CONNECTIONS FOR THE SYSTEM

### SELECT LOCATIONS

Each telephone should be as close as possible to a wall AC power outlet. Wherever you intend to position each FT 484, have your telephone company install as many outside line wall jacks (from one to four) as necessary to enable you to connect each telephone.

You may wish to have 2 two-line wall jacks (RJ14C) instead of single-line wall jacks for connecting Lines 1 and 2 and/or Lines 3 and 4.

**NOTE:** If the Telephone Company installs, for example, 555-1000 on Line 1, then 555-1000 is on Line 1 wherever Line 1 is installed. The same applies to the telephone numbers installed on Lines 2, 3 and 4.

**It is important to connect all stations in the system to Line 1 so that the Intercom will function.**

## CAUTION

1. Never install telephone wiring during a lightning storm.
2. Never install telephone jacks in wet locations unless the jack is specifically designed for wet locations.
3. Never touch uninsulated telephone wires or terminals unless the incoming telephone line has been disconnected at the network interface.
4. Use caution when installing or modifying telephone lines.

**NOTE:** DO NOT ATTACH (STAPLE, ETC.) POWER SUPPLY CORD TO THE BUILDING WALL

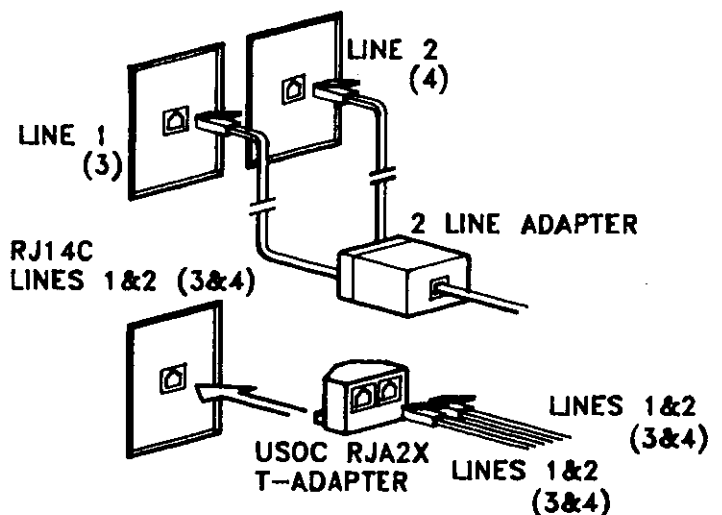
## II. LINE CORD ADAPTERS YOU MAY NEED

HAVE EVERYTHING READY FOR INSTALLATION BEFORE CONNECTING.

If you have single line wall jacks you will need two adapters to connect the four separate lines to your two-line telephone line cords.

Or,

If necessary you may share two-line wall jacks between two units using a modular T-adapter (USOC RJA2X).



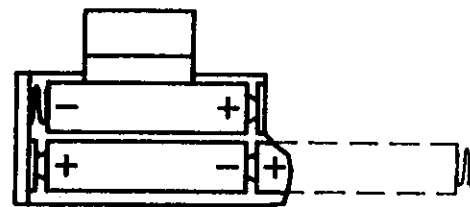
## INSTALLATION, cont'd

### III. BATTERIES

This telephone requires 3 alkaline AAA-size batteries for memory backup.

#### INSTALLING THE BATTERIES:

1. Turn the unit over (If the unit is wall-mounted, lift it off the wall).
2. Open the battery compartment by removing the screw and pressing the tab to release the cover.
3. As shown in the diagram, insert the first battery into the cabinet and then place the other two batteries into the compartment.
4. Replace the battery compartment cover and screw.



BATTERY COMPARTMENT  
WITH COVER REMOVED

**NOTE:** When replacing batteries, keep the AC power line connected to avoid memory loss.

### IV. TELEPHONE INSTALLATION

#### ON A DESK OR TABLE:

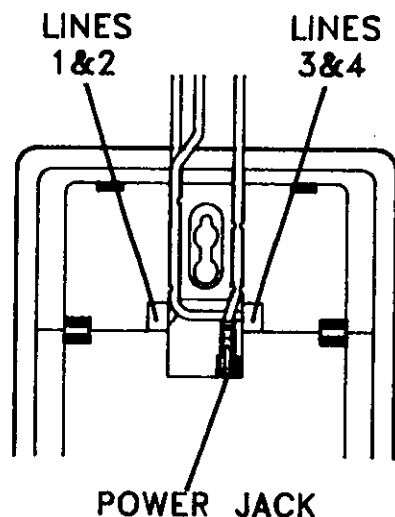
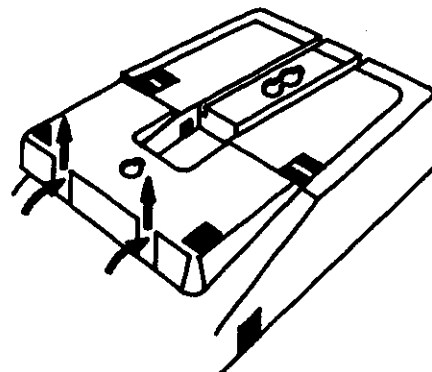
1. Turn the unit over and detach the pedestal by pressing in on the two tabs, then pushing the pedestal upward.
2. Plug one of the telephone line cords into the jack for Lines 1 and 2 in the rectangular recess in the bottom of the set.

To connect Lines 3 and 4, plug the other telephone line cord into the other jack for Lines 3 and 4.

Thread the telephone line cord(s) through the groove labeled "TELEPHONE LINE(S)" above the rectangular recess.

**DO NOT CONNECT TO THE TELEPHONE WALL JACK(S) YET.**

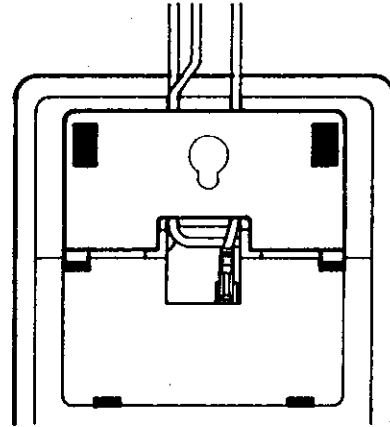
3. Insert the AC adapter plug into the power jack in the recess and thread the adapter cord through the other groove labeled "AC ADAPTER CORD".



**ALL WIRES EXTEND OUT OF THE REAR OF THE UNIT.**

## INSTALLATION, cont'd

4. Turn the pedestal around and slip the two curved tabs into the top holes and under the bars. Press the top of the pedestal until the two upper tabs lock into the holes.
5. Connect the telephone line cord plug(s) into the wall telephone jack(s). See figures on page 8.
6. Plug the AC adapter into the wall AC power outlet.



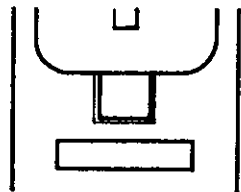
7. Insert the plugs of the coiled cord into the jacks in the handset and the side of the base.

### MOUNTING ON A WALL:

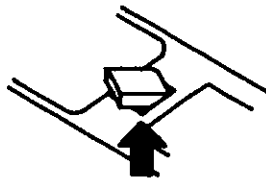
The FT 484 may be installed on the studs of a wall phone plate or onto 2 screws that you fasten into the wall.

In either case, the handset must be retained securely on the handset guide during a vertical installation.

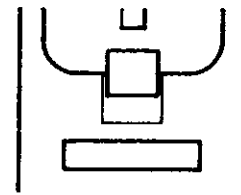
To do this, lift the handset guide up and turn it around 180 degrees. Let it snap into position.



POSITION  
REQUIRED FOR  
DESK USE



LIFT HANDSET GUIDE  
UP AND TURN



POSITION  
REQUIRED FOR  
WALL MOUNTING

**NOTE:** When installing screws, use anchors to insure that the screws are secure.

1. Remove the template (page 36) and mark the location of the screws on the wall.
2. Insert screws into the wall leaving 3/16" extending out.

Or,

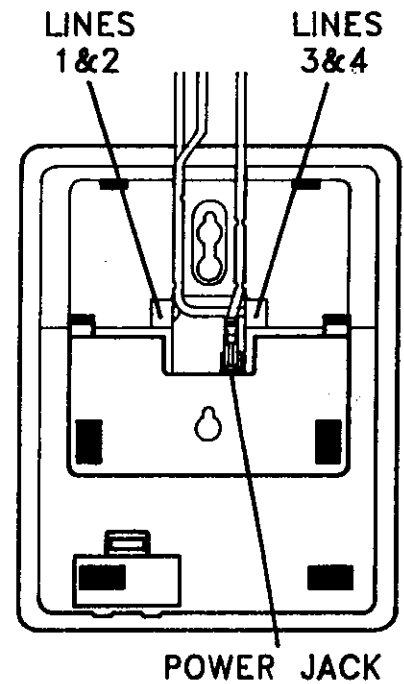
## INSTALLATION, cont'd

If you mount the unit on the studs of a wall plate instead of on screws, do not connect the line cords to the wall plate phone jack.

3. Before attaching the unit onto the screws or studs, plug a telephone line cord into the jack for Lines 1 and 2 in the rectangular recess in the bottom of the set. To connect Lines 3 and 4, plug the other telephone line cord into the second jack.
4. Thread the line cord(s) through the groove labeled "TELEPHONE LINE(S)" located above the recess. The cords will extend out from the top of the unit.

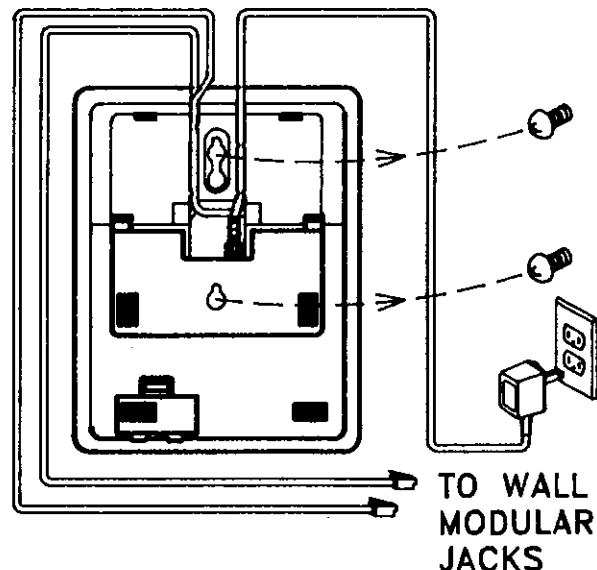
**DO NOT CONNECT THE LINE CORDS TO THE WALL TELEPHONE JACKS YET.**

5. Insert the AC adapter plug into the power jack in the recess. Thread the cord through the groove labeled "AC ADAPTER CORD".



**ALL WIRES EXTEND OUT THE TOP OF THE UNIT.**

6. Set the unit on the screws or studs and firmly press the unit down, locking it on.
7. Connect the telephone line cord plug(s) into the wall modular jack(s). See figures on page 8.
8. Plug the AC adapter into the wall AC power outlet.



9. Insert the plugs of the coiled cord into the jacks in the handset and the side of the base.

## INSTALLATION, cont'd

### V. SETTING THE CLOCK AND CALENDAR

Before operating the FT 484, you should set the clock and calendar on the display:

1. Press the **SET** key while the phone is cradled.  
The LCD Display shows:

SET DATE/TIME
00.00      0      00:00 AM

2. Enter two digits for the month, 01 - 12  
(01 for January, 12 for December, etc.)
3. Enter two digits for the date, 01 - 31.
4. Enter the day of the week, 1 - 7 (1 for Sunday, 2 for Monday, etc.)
5. Enter 2 digits for the hour, 01 - 12.
6. Enter 2 digits for the minute, 00 - 59.
7. Enter \* for AM, or # for PM.

A beep indicates that the clock and calendar setting is complete.

**Example:** For Wednesday, October 9th, 3:25 PM, the LCD display will read:

SET DATE/TIME
10.09      4      03:25 PM

### VI. PROGRAMMING PULSE OR TONE SERVICE

The FT 484 is compatible with both PULSE (rotary) and TONE phone service. To program the phone for the service you have:

1. Press the **STORE** key. The LCD will show "STORE".
2. Press the "\*", "#", and "0" keys in succession.
3. Press the "0" (zero) key if you have TONE service or the "1" (one) key if you have PULSE service.
4. Press the **MUTE** key to end the programming.

STORE
* # 0

**NOTE:** The default mode is for TONE dialing service.

---

## INSTALLATION, cont'd

### VII. ASSIGNING STATION NUMBERS

In order for your station to make and receive intercom calls, your Intercom Station Number must be programmed into your telephone. To program your station ID number:

1. Press the **STORE** key. The LCD will display "STORE".
2. Press the **\*, #, \*** keys in succession.
3. Press a keypad number (1-8) corresponding to your desired station ID number. The default value is 1.
4. Press the **INTERCOM** key to end the programming session.

A beep tone will be heard to signal successful programming.

For example, press the **\*, #, \***, and **2** keys in succession. Your LCD will display the following information:

STORE * # * 2
------------------

After pressing the **INTERCOM** key to end the programming session, your station ID number is now 2. The LCD will display your new station ID number along with the time and day/date display.

JAN 01	10:05 AM
EXT 2	MON

**NOTE:** After connecting the first set (Station ID defaults to 1), any additional sets that are connected to the system (up to eight) will also attempt to become default Station ID number 1.

In these cases, the additional telephone(s) will beep and display 'EXT 0' until they are programmed with a Station ID number other than 1. As soon as they are programmed, the beeping will stop and the LCD will display the new station number.

The beeping and 'EXT 0' display also occur when you try to program a station with an ID number that is already in use. In this case, reprogram the set with an available Station ID number.

---

## WHAT THE LED'S INDICATE

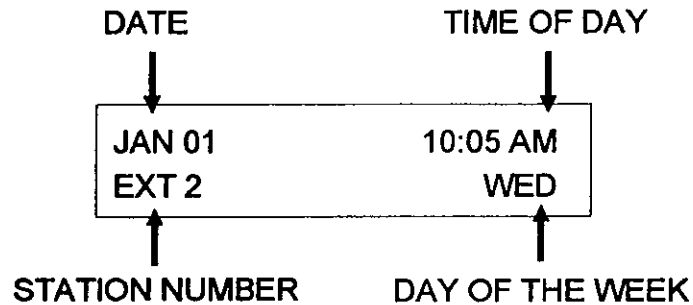
<b>LED</b>	<b>STATUS</b>	<b>INDICATION</b>
LINES 1, 2, 3, 4	OFF	Line not in use
	FLASHING SLOWLY	Incoming outside call is ringing
	ON STEADY	Line is in use
	FLASHING RAPIDLY	You have put a line on hold
	FLASHING IRREGULARLY	A line has been put on hold at another station
INTERCOM	OFF	Intercom is not in use
	FLASHING SLOWLY	You are making an Intercom call
	ON STEADY	Intercom is in use
	FLASHING RAPIDLY	You are receiving an Intercom call
SPEAKERPHONE	OFF	You are in Handset mode or your phone is idle
	ON STEADY	You are in Handsfree (Speakerphone) mode
MUTE	OFF	Your station is not muted
	ON STEADY	Your station is muted
SHIFT	OFF	In 1st level (upper mode)
	ON STEADY	In 2nd level (lower mode)



---

# WHAT IS INDICATED ON THE DISPLAY

## THE NORMAL LCD DISPLAY WINDOW



The display will also show the feature functions of the phone when they are in use. These functions include: STORE, ICM (Intercom), PAGE, PAGE ALL, LOWER (the status of the SHIFT key), DND (Do Not Disturb), Low Battery Indicator (BATT), SET DATE/TIME, and dialed digits.

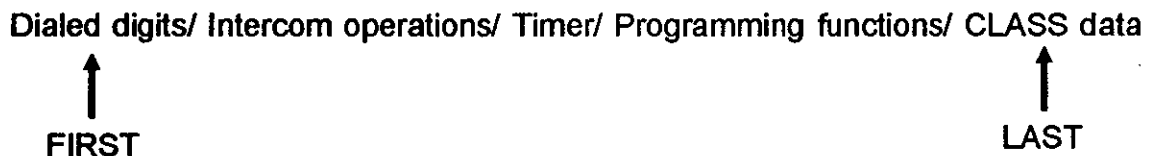
## LOW BATTERY DISPLAY

The telephone will indicate that the battery is low and needs to be replaced by displaying a low battery indicator, 'BATT', on the LCD.



## LCD DISPLAY PRIORITY

If more than one message or function is to be displayed at the same time, the LCD displays the messages according to the following precedence:



Features such as the Low Battery Indicator (BATT) and the Do Not Disturb function (DND, see page 21) will be displayed only if they are active.

---

# OPERATION

## I. OUTSIDE LINE

WHEN A LINE IS IN USE AT ONE STATION, THE LED OF THAT LINE WILL BE ON STEADY ON ALL THE OTHER STATIONS IN THE SYSTEM.

As a call is made, it is automatically routed to the next available line of the possible 4 Lines on the FT 484.

Your call can not be intruded upon by another station because line privacy is by default programmed into this system . You may cancel the CALL PRIVACY at any time in order to let other stations join in on your call (see page 21, CALL PRIVACY).

### A. RINGER VOLUME

There are four levels of volume adjustment (including OFF) for the ringer volume. For convenience, there are two methods of adjusting the volume:

#### IF THE TELEPHONE IS IDLE

1. Press the **CONFERENCE** key.
2. Press 1, 2, 3, or 4 on the keypad to select the desired line number.
3. Press the **VOLUME ▲** or **VOLUME ▼** key to select the desired volume level. You will then hear a "burst ring" at the programmed volume level. Repeat until you get to the desired volume level (or to OFF).

#### DURING AN INCOMING CALL RING

Simply press the **VOLUME ▲** or **VOLUME ▼** key to the desired level while the phone is ringing. If there is more than one line ringing at the same time, each ringer volume can be adjusted simultaneously.

## B. PLACING AN OUTSIDE CALL

### USING THE HANDSET

1. Lift the handset. An available outside line will automatically be selected for you.
2. Dial the desired number. The LCD will display the dialed digits one by one.

At the end of the call, return the handset to the base.

Or,

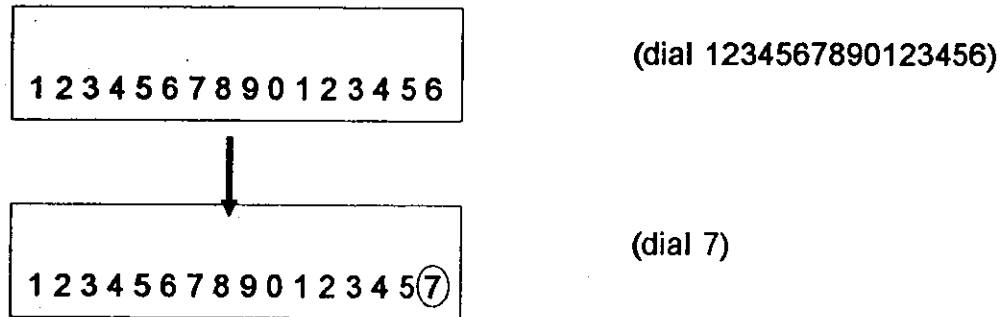
---

## OPERATION, cont'd

### USING THE SPEAKERPHONE (HANDSFREE)

1. Press the **SPEAKERPHONE** key. An available outside line will automatically be selected.
2. Dial the desired number. The LCD will display the dialed digits one by one.

**NOTE:** If you dial more than sixteen digits, the last digit (16th) of the string will continuously be replaced by the most current dialed digit. This can be seen on the LCD display as follows:



### C. ANSWERING AN OUTSIDE CALL

#### USING THE HANDSET

Lift the handset. You will automatically be connected to the ringing outside line.

#### USING THE SPEAKERPHONE (HANDSFREE)

1. Press the line key corresponding to the flashing LED to be connected with the outside call.

Or,

2. Simply press the **SPEAKERPHONE** key to be automatically connected to the ringing outside line. Press the **SPEAKERPHONE** key again to end the call.

### D. PLACING AND RELEASING A CALL ON HOLD

Press the **HOLD** key to put the current line on hold. The line LED will flash rapidly.

To release a call on hold, press the **Line** key of the call that is on hold.

---

## OPERATION, cont'd

### E. LAST NUMBER REDIAL (LNR)

The FT 484 will remember the last phone number dialed. This allows you to automatically redial the last manually dialed number.

1. Lift the handset and select an available outside line.
2. Press the **REDIAL** key.

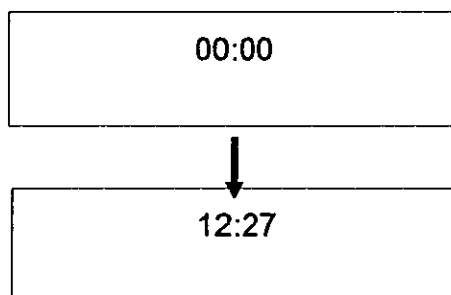
Or,

1. With the phone on hook (SPEAKERPHONE mode), press the **REDIAL** key.
2. An outside line will be selected and the last number will be redialed. You will see the last number being dialed on the LCD display.

### F. RECORDING THE LENGTH OF A PHONE CALL

To time the length of a phone call:

1. Establish an outside call, either incoming or outgoing.
2. Press the **TIMER** key. The LCD will display 00:00 and then immediately begin timing the call (up to 59:59). If 59:59 is reached, the counter will start over at 00:00.
3. Press the **TIMER** key again or hang up the telephone to stop the elapsed time. The LCD display will automatically return to the normal display after six seconds.



### G. SPEED DIALING

There are 28 total memory locations, in two groups, in which you can store speed dial numbers.

The numbers may be stored in PULSE or TONE mode.

Each memory location can store up to 15 digits, including Pause and Call Wait (Flash) functions.

## OPERATION, cont'd

### TO STORE NUMBERS IN THE FIRST SPEED DIAL GROUP:

1. Make sure the phone is on hook (idle).
2. Press the **STORE** key.
3. Enter the number to be stored (for example, 123456).

STORE 1 2 3 4 5 6
----------------------

**NOTE:** If the number to be stored is the last number that was manually dialed, then you may simply press the **REDIAL** key to enter the phone number.

4. Press a **SPEED DIAL** key. A beep tone will be heard to signal successful programming.

**NOTE:** A double beep tone signals an error in programming. Please try again.

### TO STORE NUMBERS IN THE SECOND SPEED DIAL GROUP:

1. Make sure the phone is on hook (idle).
2. Press the **STORE** key.
3. Enter the number to be stored.
4. Press the **SHIFT** key. The **SHIFT** LED will light up and the LCD will display 'LOWER'.

STORE 1 2 3 4 5 6
----------------------

5. Press a **SPEED DIAL** key to store the number. The **SHIFT** key will automatically be released (the LED turns off), returning the station to the first group. A beep tone will be heard to signal successful programming.

STORE 1 2 3 4 5 6	LOWER
----------------------	-------

### PLACING A PAUSE IN A STORED NUMBER

Press the **REDIAL** key to insert a 2.5 second pause anywhere in the phone number (before, in between any two digits, and/or at the end of the number).

### STORING AN LNR NUMBER TO THE FIRST SPEED DIAL GROUP

1. Make sure the phone is on hook.
2. Press the **STORE** key.
3. Press the **REDIAL** key. This will recall the last number (e.g.- 123456) dialed and display it on the LCD.
4. Press a **SPEED DIAL** key. A beep tone will sound to signal successful programming.

STORE 1 2 3 4 5 6
----------------------

---

## OPERATION, cont'd

### STORING AN LNR NUMBER TO THE SECOND SPEED DIAL GROUP

1. Make sure the phone is on hook.
2. Press the **STORE** key.
3. Press the **REDIAL** key (e.g.- the last number dialed is 123456).
4. Press the **SHIFT** key. The LED will light and the LCD will display 'LOWER'.
5. Press a **SPEED DIAL** key. The **SHIFT** key will be released and a beep tone will be heard after successful programming.

STORE	LOWER
1 2 3 4 5 6	

### DIALING NUMBERS IN THE FIRST SPEED DIAL GROUP

Press a **SPEED DIAL** key to automatically access an available outside line and dial the stored speed number. The number will be shown on the LCD display.

### DIALING NUMBERS IN THE SECOND SPEED DIAL GROUP

1. Press the **SHIFT** key (the LED will light).
2. Press a **SPEED DIAL** key. The number stored in the second Speed Dial group will automatically be dialed and displayed on the LCD. The **SHIFT** key is released (the LED turns off) and the station is returned to first group programming.

### ERASING FIRST SPEED DIAL GROUP NUMBERS

1. Make sure the phone is on hook (idle).
2. Press the **STORE** key.
3. Press the **SPEED DIAL** key. A beep tone will be heard to signal successful deletion of the Speed Dial number.

### ERASING SECOND SPEED DIAL GROUP NUMBERS

1. Make sure the phone is on hook (idle).
2. Press the **STORE** key.
3. Press the **SHIFT** key. The LED will light up and you will observe the 'LOWER' on the LCD display.
4. Press a **SPEED DIAL** key. A beep tone will confirm successful deletion of the Speed Dial number and the **SHIFT** key will be released.

# OPERATION, cont'd

## H. CALL PRIVACY

ANY TIME YOU ARE ON AN OUTSIDE CALL, IF YOU WISH TO ALLOW OTHER STATION(S) TO JOIN IN THE CALL, THE PRIVACY OF THE CALL CAN BE CANCELLED.

### TO CANCEL PRIVACY:

While conversing, press the Line key the call is on. You will hear a short ring tone.

### TO RESTORE PRIVACY:

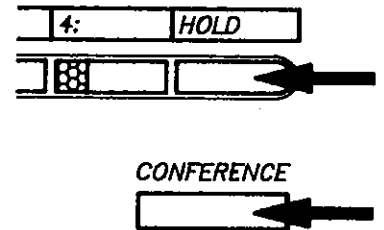
During the call, press the Line key again. You will hear a double ring tone.

- NOTE:** 1. Call Privacy is ON by default to ensure conversation privacy.  
2. Privacy is automatically restored when the call is terminated.

## I. CONFERENCE

IF YOU ARE SPEAKING WITH AN OUTSIDE PARTY, YOU CAN INCLUDE A THIRD PERSON INTO THE CONVERSATION FOR A THREE-PARTY CONFERENCE CALL.

1. Put the first call on HOLD.
2. Make the second call (using either the intercom or an outside line).
3. After you have reached the third party, press the CONFERENCE key.

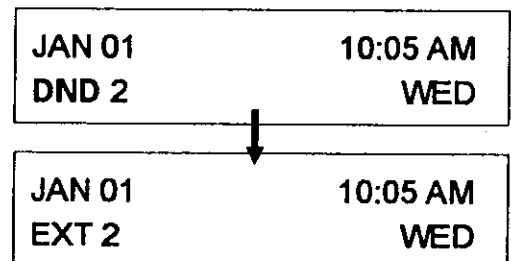


A THREE-WAY CONFERENCE IS ESTABLISHED

## J. DO NOT DISTURB (DND)

YOU CAN PREVENT ANY CALLS (PAGING, INTERCOM OR OUTSIDE) FROM BEING RECEIVED BY OR HEARD ON YOUR STATION.

1. Press the DND key. The LCD display will show the DND icon.
2. To cancel DND, press the DND key again. The DISPLAY will no longer show "DND".



### NOTES:

1. If you receive an outside call while you are in the DND mode, you have the option to answer the call by pressing the ringing Line key.
2. If you call a station in DND mode, you will hear a busy signal.

---

## OPERATION, cont'd

### K. CALL WAIT

CALL WAIT IS A CLASS FEATURE WHICH IS ONLY ACCESSIBLE IF PROVIDED BY YOUR TELEPHONE COMPANY.

1. Press the **CALL WAIT** key when you hear the tone indicating that there is another call coming in on your line.
2. The first call will automatically be put on hold while you take the current call. You can toggle between the two calls by pressing the **CALL WAIT** key.
3. When one of the calls ends (when one of the parties hangs up), the **CALL WAIT** function is automatically disengaged.

THE **CALL WAIT** KEY CAN ALSO BE USED TO HANG UP A CALL WITHOUT HANGING UP THE HANDSET.

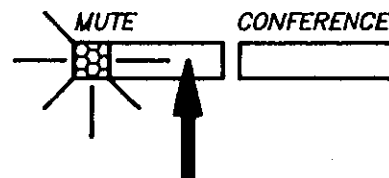
When you want to end a call, press the **CALL WAIT** key to end the call and receive a fresh dial tone.

### L. MUTE

The **MUTE** feature allows the user to temporarily stop transmission to the calling party in order to talk privately.

WHETHER USING THE HANDSET OR SPEAKERPHONE:

1. Press the **MUTE** key.  
The **MUTE** LED will light up, and the LCD display will show "MUTE".
2. To restore the sound to the other party, press the **MUTE** key again.  
The **MUTE** LED will go OFF, as will "MUTE" on the LCD display.



### M. CALL TRANSFER

YOU CAN TRANSFER AN OUTSIDE CALL TO ANY OTHER STATION WITHIN THE TELEPHONE SYSTEM:

1. Place the C.O. line you want to transfer on hold.
2. Make a voice call or use intercom ring to contact the party within the telephone system who you wish to transfer the call to.



---

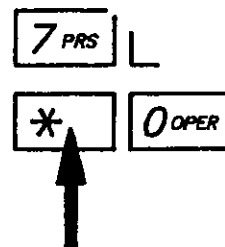
## OPERATION, cont'd

3. To answer a transferred call, simply press the line key with the flashing LED. The party transferring the call should also notify the receiving party of the line number that is being placed on hold with intent to transfer.
4. After the call is answered by the other party, hang up the phone.

### N. USING CUSTOM SERVICES

It is sometimes necessary to dial a number in TONE (DTMF signaling), when you have PULSE service. To convert a number from PULSE to TONE,

1. Access the telephone number in PULSE mode.
2. Press the \* key. Now you can dial with a TONE signal when necessary. This temporary tone dialing ends when you hang up the phone.



### O. ADJUSTING THE SPEAKER VOLUME

There are 16 levels of volume available for use with the phone's speaker.

1. Press the **SPEAKERPHONE** key in order to get a dial tone.
2. Press the **VOLUME ▲** key or the **VOLUME ▼** key until you reach a desirable volume level.
3. Hang up the phone when finished.

---

## OPERATION, cont'd

### II. INTERCOM (for those stations connected to Line 1)

#### A. PLACING AN INTERCOM CALL

WITH THE HANDSET:

1. Press the **INTERCOM** key. The **INTERCOM** and **SPEAKERPHONE** LEDs will go on and you will hear an intercom dial tone.
2. Lift the handset. The LCD display will show the following:



ICM

3. Dial the desired intercom number or press one of the programmed **Direct Station Select** keys. For example, if station 2 calls station 3:



ICM 3

Station #2 LCD



ICM 2

Station #3 LCD

If the called station is idle, a ring back tone will be heard.

If the called station is busy, the caller will hear a busy tone. The called station will hear a double announce ring.

If the called set is in the Do Not Disturb (DND) mode, a busy tone will be heard.

#### ON THE HOOK (HANDS FREE)

In order to make an intercom call handsfree, simply follow the directions for making an intercom call **WITH THE HANDSET** and skip step #2 (do not pick up the handset). The LCD displays will remain the same.

To end an intercom call, return the handset to the base or press the **SPEAKERPHONE** key if you made the intercom call hands free.

- NOTE:**
1. If you fail to dial a number within 10 seconds of pressing the **INTERCOM** key, two warning beeps will sound.
  2. The speed dial key may also be used as a **Direct Station Select (DSS)** key. For example: The 1st **DSS** key is associated to station 1, the 2nd **DSS** key is associated with station 2, and so on.

## **OPERATION, cont'd**

### **B. ANSWERING AN INTERCOM CALL**

If you hear a double (intercom) ring and the LCD display shows a calling station:

#### **USING THE HANDSET**

1. Lift the handset.
2. Press the **INTERCOM** key.

#### **HANDS FREE**

1. Press the **INTERCOM** key.
2. You are now free to converse with the calling station handsfree.

For example, if station 3 answers an intercom call from station 2, the LCD will display (whether you make the call with your handset or hands free):

JAN 01	10:05 AM
ICM 3	WED

Station #2 LCD

JAN 01	10:05 AM
ICM 2	WED

Station #3 LCD

**NOTE:** 1. If you are in DND mode when you receive an intercom call, the **INTERCOM** LED will be **ON** steady and you can see the number of the calling party on the LCD display. You have the option to answer the call by pressing the **INTERCOM** key.

2. An intercom call to one station can be answered by any other station.

### **C. PAGING ALL STATIONS IN THE SYSTEM (ALL STATION PAGE)**

**MAKING AN ANNOUNCEMENT TO ALL STATIONS:**

1. Press the **PAGE** key. You will hear the intercom dial tone.

2. Press the **\* \*** button. The LCD will display the following information:

PAGE ALL
----------

3. Make your announcement using either the handset or the speakerphone. The LCD's of the other stations whose DND function is not activated will display:

PAGE ALL BY 2
---------------

---

## **OPERATION, cont'd**

### **ANSWERING THE PAGE TO ALL STATIONS**

1. Press the **PAGE** key (for hands free speaking).

Or,

2. Lift the handset and press the **PAGE** key.

Upon answering the page to all stations, you will be heard by only the paging station. The LCD display will return to its normal display status.

### **D. PAGING A STATION (INDIVIDUAL PAGE)**

#### **MAKING AN ANNOUNCEMENT TO ONE SPECIFIC STATION:**

1. Press the **PAGE** key. The LCD display will show "PAGE".

2. Dial the desired intercom number or press one of the **DSS** keys. There will be a tone. Your LCD display will show the intercom number which you are calling. The called station will display "PAGE" on the LCD along with your station number.

3. You may use the handset or the speakerphone to make the intercom call.

#### **ANSWERING AN INDIVIDUAL PAGE**

A beep tone is heard to let you know that a voice call is incoming.

1. The **MUTE** LED will light up and you will see the number of the calling party on the LCD display.

2. Press the **MUTE** key to answer the call hands free.

Or,

2. Lift the handset and converse.

**NOTE:** If your intercom call is not answered, you can change it to an individual page by pressing the **PAGE** key,

Or,

You can change an individual page to an intercom call by pressing the **INTERCOM** key.

---

## **OPERATION, cont'd**

### **III. IF YOU ARE USING THE ACC 484 CALLER ID SERVER**

**PLEASE REVIEW THE KEY DEFINITIONS ON PAGE 32.**

#### **A. AREA CODE PROGRAMMING**

If you have subscribed to a Caller ID service from your telephone company, it is possible to avoid the transmission of your local area code from the Class Server (ACC 484) to your telephone Caller ID display.

#### **PROGRAMMING THE AREA CODE FOR THE CLASS SERVER**

For example, if the area code is 305,

1. Make sure the phone is on hook and idle.
2. Press the following sequence of keys from any station:

**STORE key - 3 - 0 - 5 - HOLD key**

A beep tone will sound to confirm successful programming after which the Class Server will send the phone number without the area code.

#### **CANCELING THE AREA CODE FOR THE CLASS SERVER**

1. Make sure the phone is on hook and idle.
2. Press the following key sequence from any station:

**STORE key - HOLD key**

A beep tone will sound to confirm successful cancellation.

#### **B. INCOMING CALLER ID DISPLAY**

The phone number of the calling party will be displayed on the telephone LCD after approximately two rings. There are four telephone conditions that may effect how the caller information is displayed on the LCD.

##### **1. THE TELEPHONE IS IDLE**

On approximately the second ring of an incoming call, the LCD will display the Caller ID information.

1. The telephone rings to signal an outside call.
2. The LCD display shows the name and number of the calling party (in this example, the call is coming in on line 2).

SMITH JOHN L2: 2126665377
------------------------------

---

## OPERATION, cont'd

3. The LCD display returns to the normal display mode upon any of these conditions:
  - a. The caller hangs up before the call is answered.
  - b. The call is picked up by another station in the system.
  - c. The set that picks up the call ends the call.
  - d. Another feature requiring the LCD display is accessed (for example, the Set Timer feature).

### 2. THE TELEPHONE IS IN USE

If a call comes in while a feature requiring the use of the LCD display is being performed (such as programming the **SPEED DIAL** keys, making an outgoing call, setting the clock, etc.),

1. The phone will ring to indicate an outside call.
2. To view information about the caller on the LCD display, press the **REVIEW** key.
3. Press the **REVIEW** key again to return to your original LCD display.

### 3. SIMULTANEOUS RING ON TWO (OR MORE) LINES

The Caller ID Server can handle up to two calls that ring at the same time. In addition, the caller information of a third call can also be processed as long as it comes in at least one second after the simultaneous ring calls.

1. The phone rings on two lines (for example, Line 1 and Line 3).
2. The LCD display will show the caller information for Line 1.

BROWN MARY L1: 2126665377
------------------------------

First LCD display

3. Press the **REVIEW** key to display information about the caller on Line 3.

PRICE TOM L3: 9182656517
-----------------------------

LCD display after pressing  
the **REVIEW** key

4. Press the **REVIEW** key again for the normal LCD display.

JAN 01	10:05 AM
EXT 2	WED

Normal LCD display

Repeatedly pressing the **REVIEW** key allows you to view the caller information and the date/time (normal) LCD screens as necessary.

## OPERATION, cont'd

### 4. SIMULTANEOUS RING PICKED UP BY INDIVIDUAL PHONES

1. The phone rings on two lines (for example, Line 1 and Line 3).
2. Line 1 is picked up by phone A.

SMITH JOHN  
L1: 2126665377

Phone A display

SMITH JOHN  
L1: 2126665377

Phone B display

3. Line 3 is picked up by phone B.

SMITH JOHN  
L1: 2126665377

Phone A display

PRICE TOM  
L3: 9182656517

Phone B display

4. Press the **REVIEW** key (at each station).

PRICE TOM  
L3: 9182656517

Phone A display

JAN 01                    10:05 AM  
EXT 2                      WED

Phone B display

5. Repeated pressing of the **REVIEW** key will allow the user to view other caller information on the LCD and the normal LCD display.

### C. WORKING WITH THE CALLER INFORMATION LIST

#### RETRIEVING THE LIST

When using the **BACKWARD** (◀, or **DND**) and **FORWARD** (▶, or **REVIEW**) keys, remember that you must press the **SHIFT** key first

1. Press the **FORWARD** or **BACKWARD** key to go through caller information. The most recent call will be displayed first.

CALL #15  
JAN 15                    09:10 PM

- 2a. Press the **FORWARD** key. The LCD displays that the end of the list has been reached.

END

## OPERATION, cont'd

- 3a. Press the **FORWARD** key once again. Information on the first call received is displayed.

CALL #01 JAN 01            11:15 AM
--

- 4a. Repeatedly pressing the **FORWARD** key will guide the user through the caller information list from the first call received to the last call.

Or, to go backwards through the caller information list,

- 2b. Press the **BACKWARD** key and information on the previous call will be displayed.

CALL #14 JAN 14            11:30 AM
--

- 3b. Repeatedly pressing the **BACKWARD** key will guide the user through the caller information list from the last call received to the first call.

CALL #13 JAN 12            03:20 PM
--

CALL #01 JAN 01            11:15 AM
--

- 4b. Pressing the **BACKWARD** key at CALL #01 puts you at the end of the list.

END
-----

5. The caller information display mode will be terminated by pressing any key other than the **FORWARD** or **BACKWARD** keys or after the 20-second time out.

JAN 20            10:06 AM EXT 2            WED
--

**NOTE:** An empty caller information list is indicated by 'NO CALLS' on the LCD display.



# OPERATION, cont'd

## CALLER INFORMATION

For each caller's information, there are two LCD displays. The first contains the call sequence number and the date/time that the call was received. The second includes the name of the calling party, the call sequence number, and the phone number of the calling party.

CALL #02  
JAN 01 10:06 AM

First LCD display

SMITH JOHN  
02: 2064555286

Second LCD display

Pressing the # key allows toggling between the two displays. The normal LCD display will return if the station is left idle for more than 15 seconds.

## OTHER POSSIBLE DISPLAYS

L1: OUT OF AREA

if the call comes from a remote area.

L1: ANONYMOUS

the caller has limited the Caller ID information transmitted.

L1: UNKNOWN

when retrieving the caller's data fails (no Caller ID information is available on the particular caller).

## ERASING A RECORD ON THE LIST

In order to erase a particular caller information record,

1. Press the **SHIFT** key.
2. Using the **FORWARD** and **BACKWARD** keys, review the caller's list and choose the record you wish to delete.
3. Press the **ERASE** key. The display will indicate that the record has been deleted.

14: -----

4. Press the **FORWARD** key to view the succeeding record or the **BACKWARD** key to view the preceding record.

---

## OPERATION, cont'd

### RETURNING A CALL ON THE CALLER'S LIST

1. Press the **SHIFT** key.
2. Review the caller list using the **FORWARD** and **BACKWARD** keys to find the desired number.
3. Press the **DIAL** key. The number is automatically dialed. The number is displayed on the LCD digit by digit as it is dialed.

**NOTE:** If the length of the phone number is 10 digits, it will be considered a long distance number and a "1" will automatically be dialed for you in front of the phone number.

### SAVING A CALLER'S NUMBER TO A SPEED DIAL KEY

1. Review the caller list using the **FORWARD** and **BACKWARD** keys and the **SHIFT** key until you find the number on the display you wish to save in memory.
2. Press the **STORE** key. The display will be cleared.

STORE	LOWER
-------	-------

3. Press the **FORWARD** or **BACKWARD** key again to indicate that you will be storing the telephone number. The number selected reappears on the display and the **SHIFT** key is released.

STORE
12064555286

Or, Press the **SHIFT** key only if you want to store the number on the 'LOWER' part of a **Speed Dial Key**.

STORE	LOWER
12064555286	

**NOTE:** If the length of the number to be stored is equal to 10 digits, it will be considered a long distance number and a "1" will automatically be placed in front of the number when it is stored.

4. Press a **Speed Dial Key**. A short confirmation tone is given and the LCD returns to the normal display.

---

## **OPERATION, cont'd**

### **D. KEY DEFINITIONS**

The following is a list of the CLASS keys and their functions in order to help simplify CLASS programming:

Press the **SHIFT** key first and then,

Press **TIMER/DIAL** to access the DIAL key function.

Press **SET/ERASE** to access the ERASE key function.

Press **DND/◀** to access the BACKWARD key function.

Press **REVIEW/▶** to access the FORWARD key function.

Press the **SHIFT** key again to return these 4 keys to their original (first) function.

---

## **CARE AND MAINTENANCE**

Place your phone on a solid flat surface where its cord will be out of the way and where it is not likely to be knocked to the floor.

To clean, use a soft cloth, dampened in a mild detergent. Never use abrasives or solvents and never spray cleaners directly onto the telephone.

## **RADIO FREQUENCY INTERFERENCE**

**WARNING!** This equipment generates, uses, and can radiate radio frequency energy and if not connected and operated in accordance with this Owner's Manual, may cause interference to radio communications. It has been tested and found to comply with the limits for a Class A computing device pursuant to Subpart J of Part 15 of the FCC Rules, which are designed to provide reasonable protection against such interference when operated in a commercial environment. Operation of this equipment in a residential area is likely to cause interference in which case the user at his own expense will be required to take whatever measures may be required to correct the interference.

---

## **PROBLEMS YOU CAN SOLVE**

### **ARE INTERCOM, LINE STATUS, AUTO-ANSWER, PRIVACY, OR AUTO-LINE SELECTION INOPERABLE?**

1. Check if Lines 1 and 2 are crosswired in the wall jack.
2. See if you may have installed your 2-line adapter incorrectly.
3. Be sure all FT 484 stations in the system are connected to Line 1 and disconnect all non-system telephones from line 1.
4. Check the station programmable codes.
5. Be sure the length of cable between stations does not exceed 300 feet.
6. Check that all phone lines are correctly connected to each station (every Line 1 is connected to the appropriate CO line, every Line 2 is connected to the appropriate CO line, and so on).
7. Remove all RFI filters from the system wiring. you may also need to contact your telephone company to have any RFI filter removed from the company side of the connection.

### **IS YOUR TELEPHONE INOPERABLE?**

Check all connections to be sure they are securely in place (see page 9-11).

### **CAN'T HEAR THE RING SIGNAL ON ALL LINES?**

1. Check the ringer volume controls (see page 16).
2. Check the status of DND (Do Not Disturb).

### **CAN'T HEAR THE RING SIGNAL ON ONE LINE ONLY?**

1. If this occurs on one station only, check the volume control setting on the station. (see page 16).
2. If all phones are affected, check the line connections.

### **WHILE ON A CALL DO YOU HEAR ANOTHER CALL ON THE LINE OR ARE YOU EXPERIENCING RADIO FREQUENCY INTERFERENCE?**

1. Make sure all wiring is twisted pair, including modular cords on non-system devices.
2. Check the wiring for bad connections.

### **CAN'T HEAR WHEN USING THE SPEAKERPHONE?**

Adjust the speaker volume control (see page 23).

### **REACHING THE WRONG NUMBER IN SPEED DIALING?**

Check that you are accessing the correct memory bank (see pages 18-20).

If other problems are encountered, please refer to the instructions in this manual or call the toll-free help line at **1-800-255-8480**.

---

## **REPAIR SERVICE**

According to FCC regulations, this equipment, which has been certified and registered by the FCC, may only be repaired by authorized persons. If repairs or adjustments are made by an unauthorized person, the FCC certification may be voided.

Should you encounter any problems, please call the Southwestern Bell Telecom toll-free Customer Help Line for assistance: **1-800-255-8480**.

### **FOR IN-WARRANTY SERVICE:**

Package your complete unit (including all adapters, line cords, and other accessories) and ship the unit postage prepaid and insured (for your protection) to:

**SOUTHWESTERN BELL TELECOM  
DEPT.: Warranty Repair  
7442 Shadeland Station Way  
Indianapolis, IN 46256-3925**

Be sure to include your return address, proof of purchase, a daytime phone number, and a brief explanation of your difficulties.

### **FOR OUT-OF-WARRANTY SERVICE:**

You may call our toll-free Help Line for an estimated service charge before returning your unit. Please follow all instructions for IN-WARRANTY repair (above) to return your unit. Please mark the package **DEPT.: Out-of-Warranty**.

If you have called for an estimated service charge, you may include this information with your unit for prompt service. If requested, we will contact you with the charges. An out-of-warranty product which you decide not to have repaired will be assessed an evaluation and handling fee.

We will return all serviced product pre-paid to you (see Limited Warranty).

## **QUESTIONS?**

**STOP...DON'T TAKE ME BACK TO THE STORE.**

**LOOK...FOR THE TOLL-FREE "HELP" TELEPHONE NUMBER.**

**LISTEN...AS THE EXPERTS TALK YOU THROUGH THE PROBLEM.**

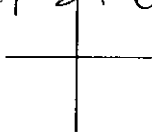
For immediate answers to all your questions regarding operation, missing parts, or installation, call

**SOUTHWESTERN BELL TELECOM HELP LINE AT:  
1-800-255-8480**

---

# WALL-MOUNTING TEMPLATE

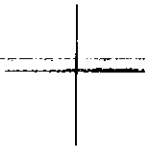
Not actual size!



**PLACE THIS TEMPLATE ON THE WALL**

THE LOCATION OF THE SCREWS IS INDICATED  
BY THE CENTERS OF THE CROSSED LINES.

FASTEN THE SCREWS LEAVING 3/16" OF THE SCREW  
EXTENDING FROM THE WALL.



**Remove This Page**





**HOLD**

To place an outside call on hold, press the **HOLD** key. To release hold, press the **LINE** key that is on hold.

**CONFERENCE**

Put the first call on hold, then make the second call (either an Intercom or outside call). Press the **CONFERENCE** key.

**DO NOT DISTURB**

Prevent any calls from getting through to your telephone by pressing the **DND** key. To cancel, press **DND** again.

**CALL WAIT**

(Accessible only if provided by the telephone company.) If you are on a call and hear a signal, there is another call for you. Press the **CALL WAIT** key to speak to the second caller. Press the **CALL WAIT** key again to return to your original call.

**CALL TRANSFER**

To transfer an outside call to another station in the system, contact the other station on the Intercom, then hang up. If you have been informed there is a call to be transferred to you, press the **LINE** key with the flashing **LED**.

**INTERCOM****PLACE AN INTERCOM CALL**

Press the **INTERCOM** key. The call is automatically on Speakerphone unless you lift the handset. Press the Intercom number you want either on the keypad or a **SPEED DIAL** key (1-8).

**ANSWER AN INTERCOM CALL**

After a double ring tone and rapid flashing Intercom **LED**, press the **INTERCOM** key.

**ALL STATION PAGE**

Press the **PAGE** key and then the **\*** key to access All Station Page.

**INDIVIDUAL PAGE**

Press the **PAGE** key and then dial the Intercom number. After your announcement, hang up. When your station is paged individually, you will hear a beep and the **MUTE** **LED** will go on. To answer a Page, lift the handset and converse or, on the Speakerphone, press the **MUTE** key. When the **MUTE** **LED** goes off, converse.

**FT 484 USER'S GUIDE****OUTSIDE LINE****PROGRAMMING**

To program Station ID, Ringer Volume, and Dialing Mode, see the Owner's Manual.

**PLACE A CALL**

Lift handset or press the **SPEAKERPHONE** key. Dial the number. After the call, hang up or press the **SPEAKERPHONE** key.

**ANSWER A CALL**

(The call is on the line with a slowly flashing **LED**.)  
**Using handset:** DO NOT PRESS A LINE KEY. Lift the handset and converse.

**Using Speakerphone:** PRESS THE LINE KEY with slowly flashing **LED** and converse. Press the **SPEAKERPHONE** key after the call.

**TIME A CALL**

Place a call and press the **TIMER** key. The LCD display will show "00:00" and begin counting. Press the **TIMER** key or hang up to stop the timer.

**REDIAL**

Press the **REDIAL** key to redial the last phone number.

**USING CUSTOM SERVICES**

Insert a pause when necessary by pressing the **REDIAL** key. With **PULSE** dialing, change to **TONE** by pressing the **\*** key.

**SPEED DIAL NUMBERS**

To Enter Numbers into Memory:  
Press: **STORE** (When storing in the 2nd group, press the **SHIFT** key).

Enter the telephone number to be stored, then press the **SPEED DIAL** key where you wish to store the number.

**NOTE:** Storing a number in a previously used Speed Dial location will erase the previous number.

To Dial a Number Stored in Memory:

For numbers in Group 1, press the appropriate **SPEED DIAL** key. For numbers in Group 2, first press **SHIFT** and then the **SPEED DIAL** key.

---

## **LIMITED WARRANTY**

This product is warranted to the original purchaser to be free from defects in materials and workmanship under normal installation, use and service for a period of one (1) year from the date of purchase as shown on the purchaser's receipt.

The obligation of Southwestern Bell Telecom under this warranty shall be limited to repair or replacement (at our option), during the warranty period of any part which proves defective in material or workmanship under normal installation, use and service, provided the product is returned to Southwestern Bell Telecom (address below) or to one of our authorized Service Centers, **TRANSPORTATION CHARGES PREPAID**. Products returned to us or to an authorized Service Center must be accompanied by a copy of the purchase receipt. In the absence of such purchase receipt, the warranty period shall be one (1) year from the date of manufacture.

This warranty shall be invalid if the product is damaged as a result of defacement, misuse, abuse, neglect, accident, destruction or alteration of the serial number, improper electrical voltages or currents, repair, alteration or maintenance by any person or party other than our own service facility or an authorized Service Center, or any use violative of instructions furnished by us.

This warranty is also rendered invalid if this product is removed from the country in which it was purchased, if it is used in a country in which it is not registered for use, and/or if it is used in a country for which it was not designed. Due to variations in telephone systems and communications laws, this product may be illegal for use in some countries. Southwestern Bell Telecom assumes no responsibility for damages or penalties incurred resulting from the use of this product in a manner or location other than that for which it is intended.

This one-year warranty is in lieu of all other expressed warranties, obligations, or liabilities. **ANY IMPLIED WARRANTIES, OBLIGATIONS, OR LIABILITIES, INCLUDING BUT NOT LIMITED TO THE IMPLIED WARRANTIES OF MERCHANTABILITY AND FITNESS FOR A PARTICULAR PURPOSE, SHALL BE LIMITED IN DURATION TO THE ONE-YEAR DURATION OF THIS WRITTEN LIMITED WARRANTY.** Some states do not allow limitations on how long an implied warranty lasts, so the above limitations may not apply to you.

**IN NO EVENT SHALL WE BE LIABLE FOR ANY SPECIAL, INCIDENTAL OR CONSEQUENTIAL DAMAGES FOR BREACH OF THIS OR ANY OTHER WARRANTY, EXPRESSED OR IMPLIED, WHATSOEVER.**

Some states do not allow the exclusion or limitation of special, incidental or consequential damages, so the above limitation or exclusion may not apply to you.

This warranty gives you specific legal rights, and you may also have other rights which vary from state to state.

**SOUTHWESTERN BELL TELECOM  
7442 Shadeland Station Way  
Indianapolis, IN 46256-3925**



**FT 484 OM**

**Printed in TAIWAN R.O.C.**

## Free Manuals Download Website

<http://myh66.com>

<http://usermanuals.us>

<http://www.somanuals.com>

<http://www.4manuals.cc>

<http://www.manual-lib.com>

<http://www.404manual.com>

<http://www.luxmanual.com>

<http://aubethermostatmanual.com>

Golf course search by state

<http://golfingnear.com>

Email search by domain

<http://emailbydomain.com>

Auto manuals search

<http://auto.somanuals.com>

TV manuals search

<http://tv.somanuals.com>