

**REQUIRED TOOLS  
AND MATERIALS:**



• 2 People



• Carpenter's Level



• 15' Tape Measure



• Shovel & Post Hole Digger



• Spade



• Wood Board (scrap)



• Tape



• Sawhorse or Support Table



• Wedge



• Safety Glasses



• Heavy-Duty Tape



• Container to Mix

• (2 each) Wrenches and/or Socket Wrenches and Sockets (Deep-Well Sockets are Recommended).



9/16"

AND/OR



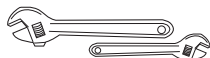
9/16"



• Extension is Recommended

**OPTIONAL TOOLS  
AND MATERIALS:**

• Large and Small Adjustable Wrenches



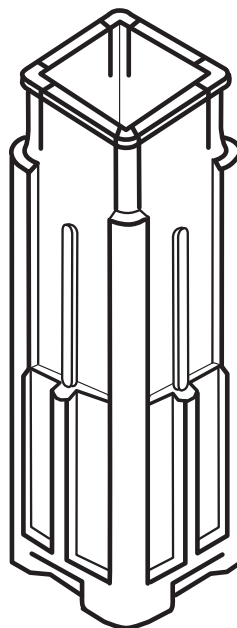
# HUFFY<sup>®</sup>SPORTS

A DIVISION OF RUSSELL CORPORATION

## Ground Sleeve Owners Manual for a 4" (10.2 cm) square pole

Customer Service Center

• N53 W24700 South Corporate Circle • Sussex, WI 53089 • U.S.A.



	<p><b>! WARNING!</b></p> <p>READ AND UNDERSTAND OPERATOR'S MANUAL BEFORE USING THIS UNIT.</p>
	<p>FAILURE TO FOLLOW OPERATING INSTRUCTIONS COULD RESULT IN INJURY OR DAMAGE TO PROPERTY.</p>

**Write Model Number  
From Box Here:**

Toll-Free Customer Service Number for U.S: 1-800-558-5234,

For Canada: 1-800-284-8339,

For Europe: 00 800 555 85234 (Sweden: 009 555 85234),

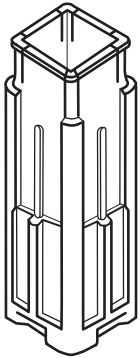
For Australia: 1-800-632 7921

Internet Address: <http://www.huffysports.com>

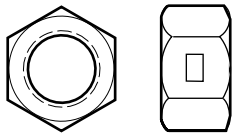
## PARTS LIST (SEE PARTS IDENTIFIER)

<u>Item</u>	<u>Qty.</u>	<u>Part No.</u>	<u>Description</u>
1	1	206500	Ground Sleeve, Square
2	2	201124	Locknut, Hex Head, 3/8 - 16
3	4	203232	Washer, Flat, 3/8 x 3/4 O.D.
4	2	206512	Clamp, V-shaped
5	2	206252	Bolt, Hex Head, 3/8-16 x 1 Long
6	1	206502	Clamp Cover
7	1	206119	Warning Label

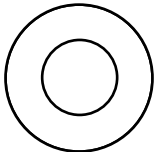
## PARTS LIST (SEE PARTS IDENTIFIER)



#1 (1)



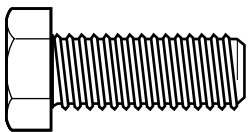
#2 (2)



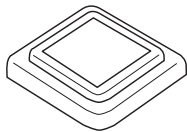
#3 (4)



#4 (2)



#5 (2)



#6 (1)



### ! WARNING

Read and understand warnings listed below before using this product.

Failure to follow these warnings may result in serious injury and/or property damage.

Owner must ensure that all players know and follow these rules for safe operation of the system.

- DO NOT HANG on the rim or any part of the system including backboard, support braces or net.
- During play, especially when performing dunk type activities, keep player's face away from the backboard, rim and net. Serious injury could occur if teeth/face come in contact with backboard, rim or net.
- Do not slide, climb, shake or play on base and/or pole.
- When adjusting height or moving system, keep hands and fingers away from moving parts.
- Do not allow children to move or adjust system.
- During play, do not wear jewelry (rings, watches, necklaces, etc.). Objects may entangle in net.
- Keep organic material away from pole base. Grass, litter, etc. could cause corrosion and/or deterioration.
- Check pole system for signs of corrosion (rust, pitting, chipping) and repaint with exterior enamel paint. If rust has penetrated through the steel anywhere, replace pole immediately.
- Check system before each use for proper ballast, loose hardware, excessive wear and signs corrosion and repair before use.
- Check system before each use for instability.
- Never play on damaged equipment.
- Keep pole top covered with cap at all times.
- See instruction manual for proper installation and maintenance.

**SPALDING**  
In the U.S.: 1-800-558-5234  
In Canada: 1-800-284-8339

**HYDRA-RIB**  
In the U.S.: 1-800-334-9111

**RUSSELL**  
ATHLETIC

**SURE SHOT**

In the U.S.: 1-888-713-5488

**HUFFY SPORTS**

In the U.S.: 1-800-558-5234  
In Canada: 1-800-284-8339

ID#: 588000 05/05

#7 (1)



# SAFETY INSTRUCTIONS



**FAILURE TO FOLLOW THESE SAFETY INSTRUCTIONS MAY RESULT IN SERIOUS INJURY, PROPERTY DAMAGE AND WILL VOID WARRANTY.**

*Owner must ensure that all players know and follow these rules for safe operation of the system.*

To ensure safety, do not attempt to assemble this system without following the instructions carefully. Proper and complete assembly, use and supervision is essential for proper operation and to reduce the risk of accident or injury. A high probability of serious injury exists if this system is not installed, maintained, and operated properly. Check entire box and inside all packing material for parts and/or additional instructional material. Before beginning assembly, read the instructions and identify parts using the hardware identifier and parts list in this document.

- If using a ladder during assembly, use extreme caution.
- Two (2) people are recommended for this operation.
- Seat the pole sections properly. Failure to do so could allow the pole sections to separate during play.
- Before digging, contact utility company to locate underground power cables, gas, and water lines. Ensure there are no overhead power lines within 20 ft. (7 m) radius of pole location.
- Climate, corrosion, excessive use, or misuse could result in system failure.
- If technical assistance is required, contact Huffy Sports.
- Minimum operational height is 6' 6" (1.98 m) to the bottom of backboard.
- This equipment is intended for home recreational use only and NOT excessive competitive play.
- Read and understand the warning labels.
- The life of your basketball pole depends on many conditions. The climate, placement of the pole, the location of the pole, exposure to corrosives such as pesticides, herbicides, or salts are all important.
- Adult supervision is recommended when adjusting height.
- Serious injury could occur if teeth/face come in contact with backboard, net, or rim.

*Most injuries are caused by misuse and/or not following instructions.  
Use caution when using this system.*

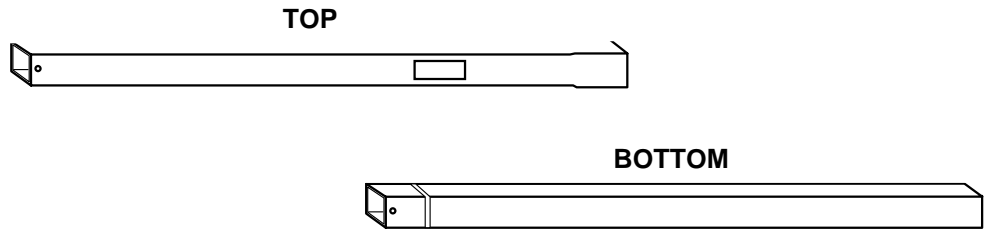
1.



**NOTE:**

**POLE(S) NOT INCLUDED.  
FOLLOW  
MANUFACTURERS  
INSTRUCTIONS  
ACCORDINGLY.**

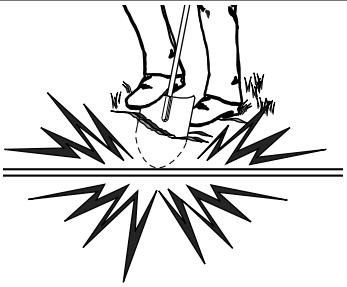
**POLE STYLE WILL VARY**



2.

Ensure ground is level with playing surface, then dig pole hole.

**! WARNING!**

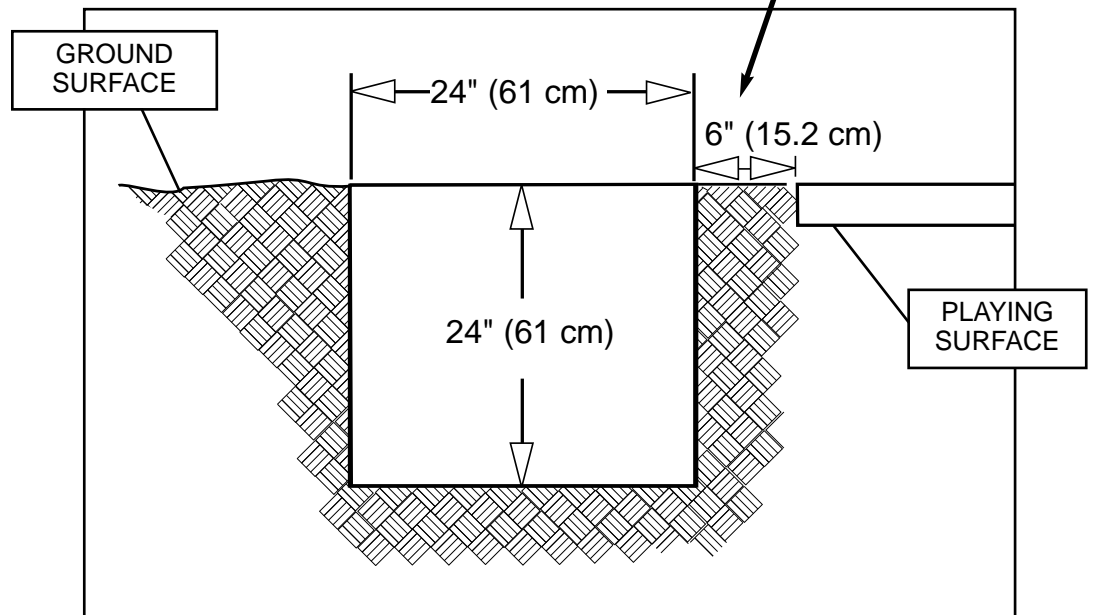


**CONTACT UTILITIES  
BEFORE DIGGING.**



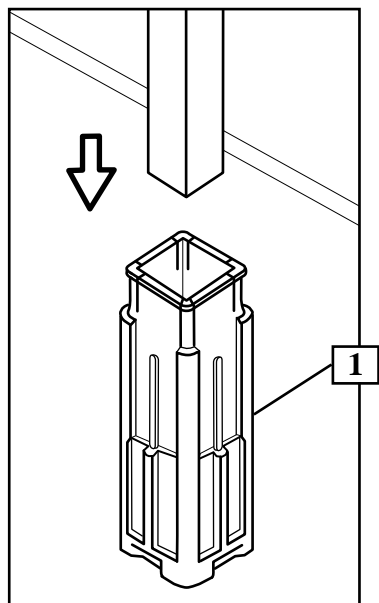
**IMPORTANT!**

Maximum distance from edge  
of hole to edge of playing  
surface: 6" (15.2 cm).



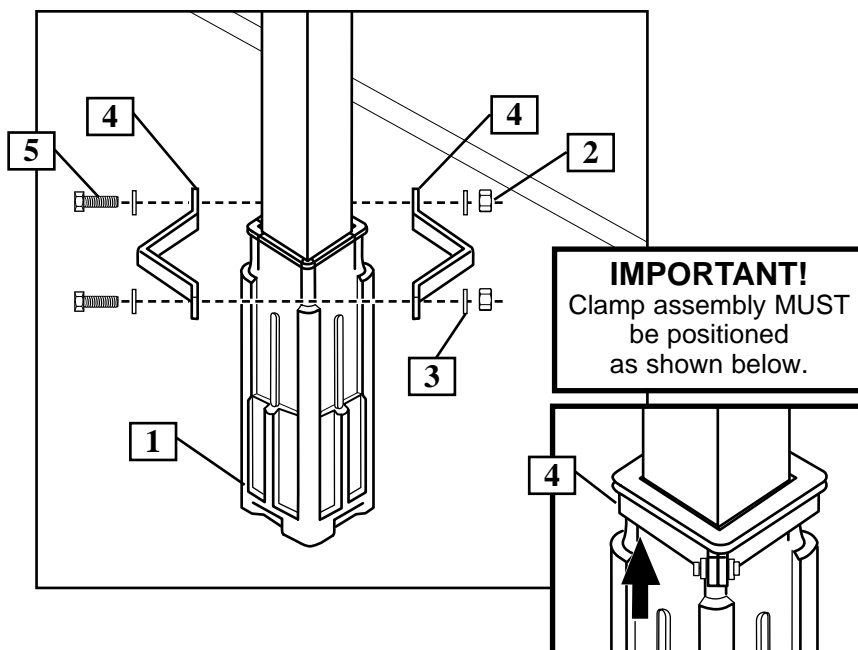
3.

Insert bottom pole section into ground sleeve (1).



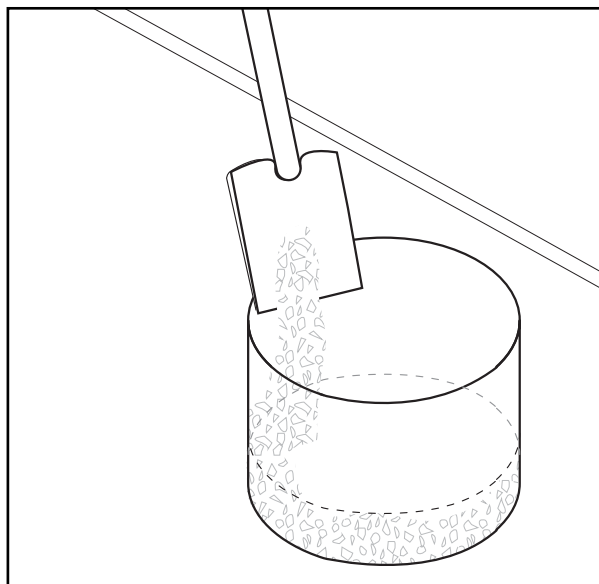
4.

Assemble clamps (4) around bottom pole and ground sleeve (1) as shown.



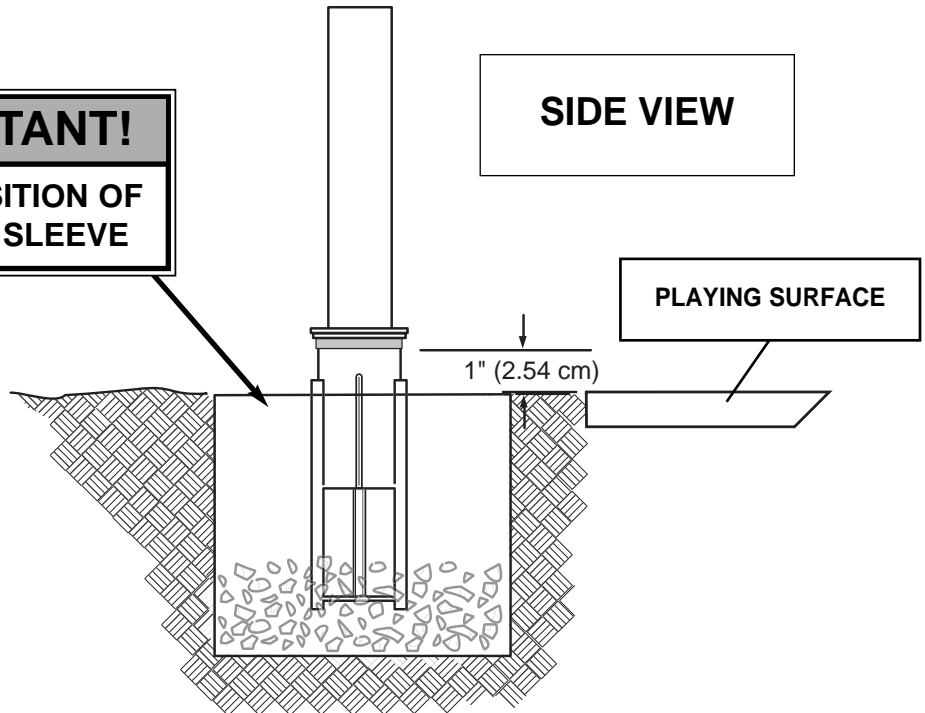
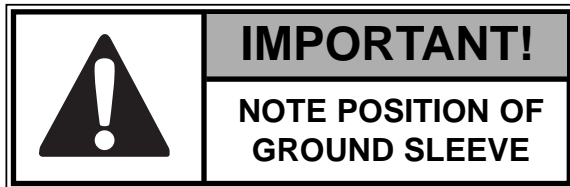
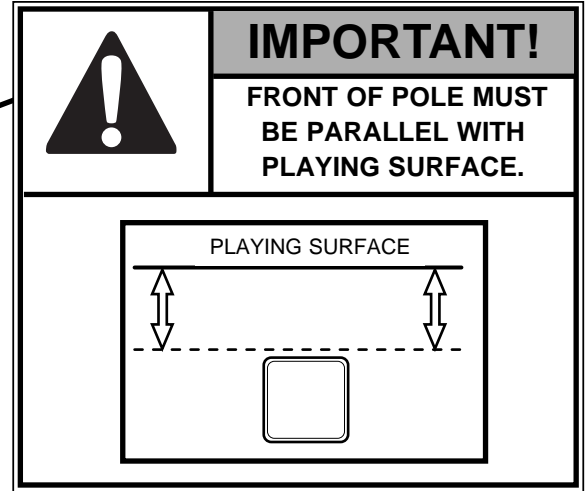
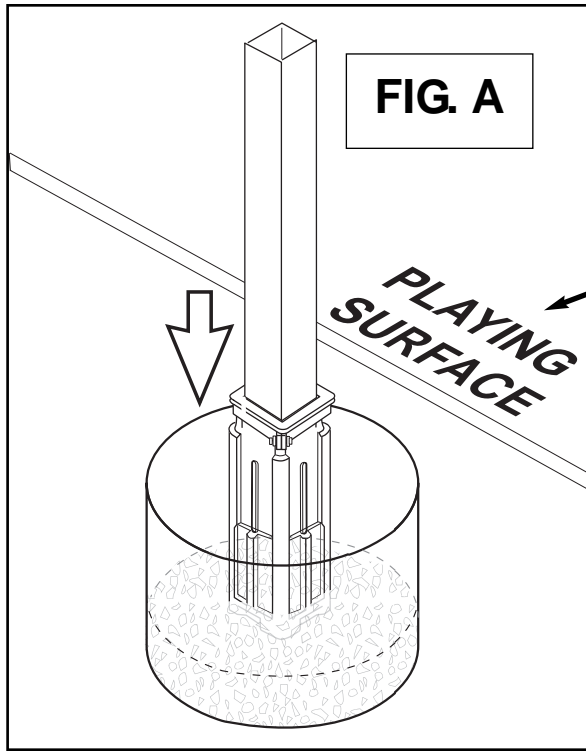
5.

Fill hole approximately 1/3 full with mixed concrete.



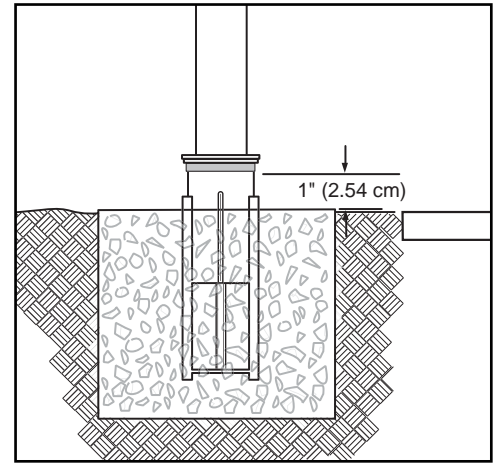
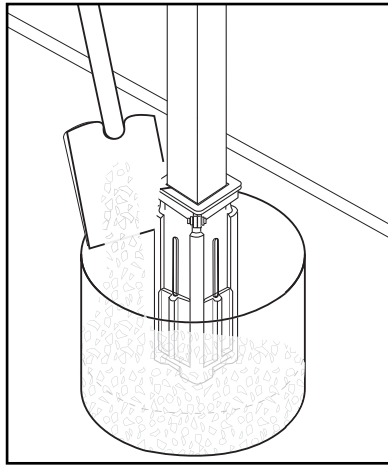
**6.** Insert ground sleeve assembly and center in hole (**FIG. A**).

**Note:** Leave 1" below flange exposed for drainage hill.



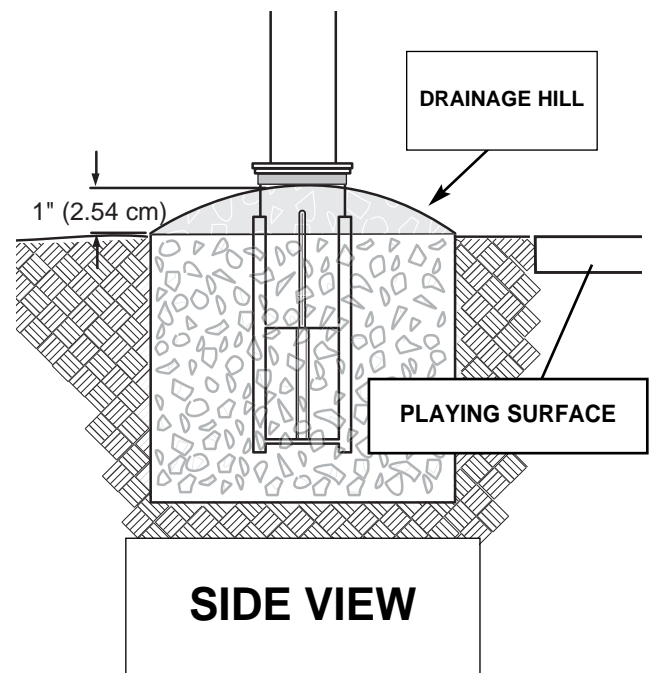
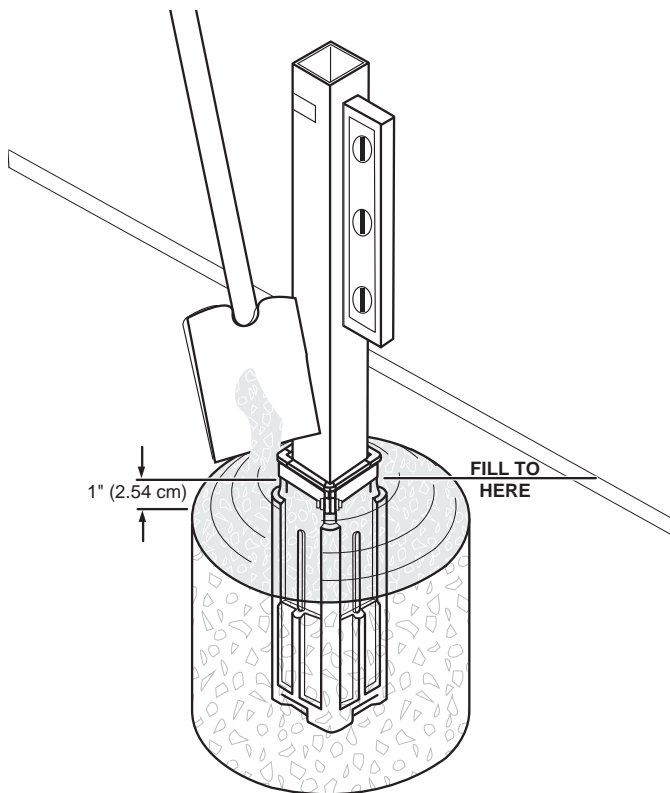
**IMPORTANT!: CONTINUE ON TO NEXT STEP.  
DO NOT WAIT FOR CONCRETE TO CURE.**

**7.** Fill hole completely with concrete.



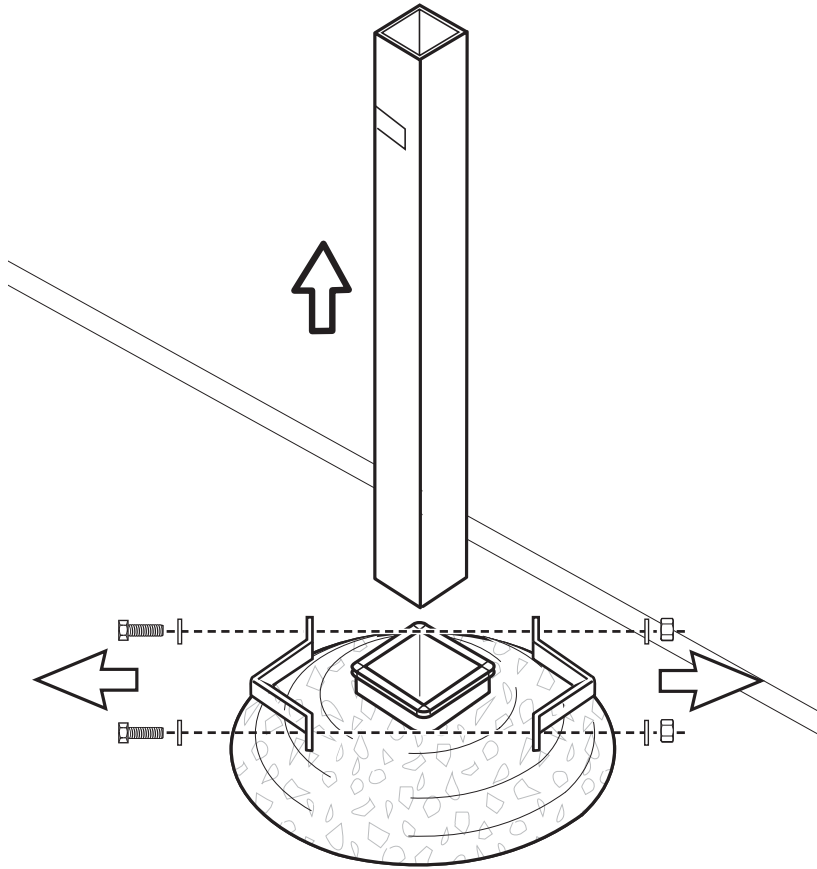
**IMPORTANT!: CONTINUE ON TO NEXT STEP.  
DO NOT WAIT FOR CONCRETE TO CURE.**

**8.** Tamp down concrete to release air pockets and build drainage hill. Level pole section in all directions several times while concrete is curing.



**IMPORTANT!: WAIT A MINIMUM OF 24 HOURS BEFORE GOING ON TO  
NEXT STEP. CONCRETE MUST CURE.**

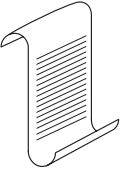
9. After concrete has cured, remove clamp assembly and lift bottom pole section from ground sleeve as shown.





10.

Bounce pole sections together until they no longer move toward taped reference mark.

	<b>NOTE:</b>
	<b>POLE(S) NOT INCLUDED. FOLLOW MANUFACTURERS INSTRUCTIONS ACCORDINGLY.</b>

<b>IMPORTANT!</b>
<b>POLES SHOULD HAVE A 4-1/2" (11.4 CM) MINIMUM OVERLAP.</b>

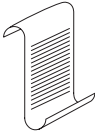


11.

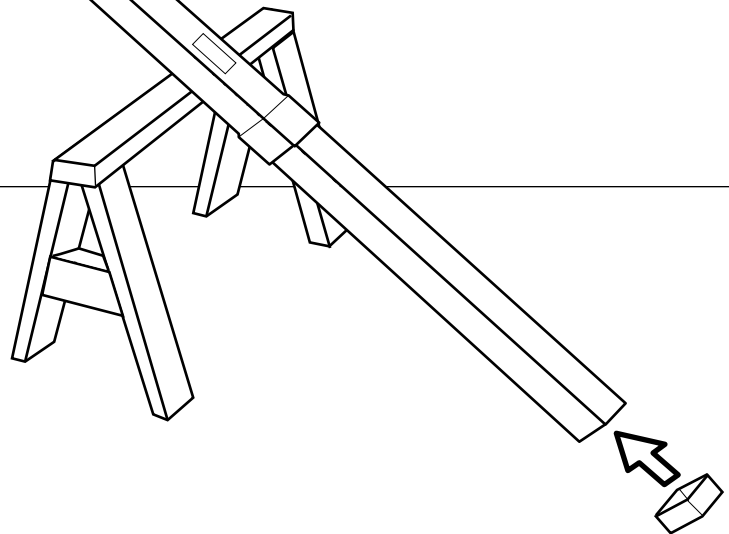
Insert pole cap onto bottom pole end. Mix concrete and fill pole.

**NOTE: Concrete must cure before going on to the next step.**



	<b>NOTE:</b>
	<b>FOLLOW MANUFACTURERS INSTRUCTIONS ON FILLING POLE ACCORDINGLY.</b>

<b>IMPORTANT!</b>
<b>FAILURE TO FILL YOUR POLE COMPLETELY WITH CONCRETE AS DESCRIBED IN THESE INSTRUCTIONS WILL VOID ALL WARRANTIES WRITTEN OR IMPLIED.</b>

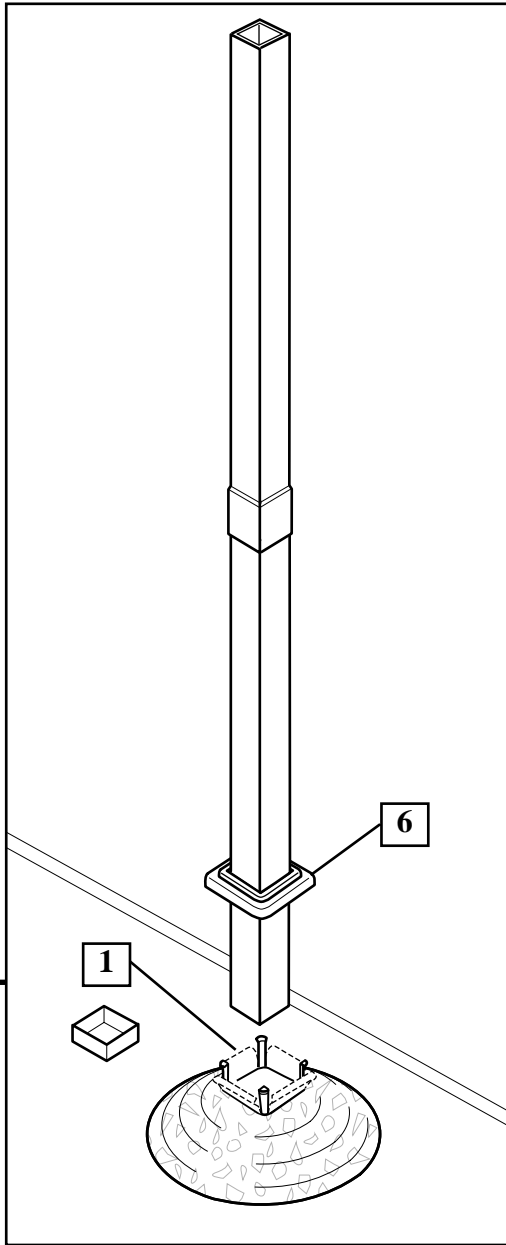




**WARNING!**

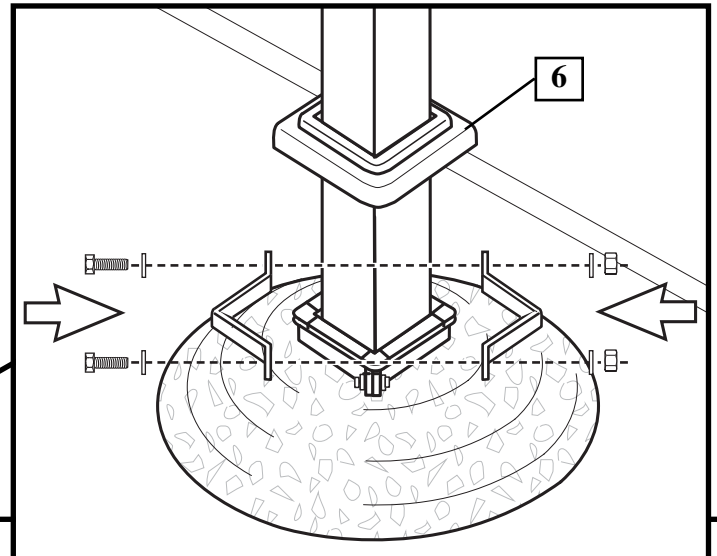


**TWO PEOPLE REQUIRED FOR THIS PROCEDURE. FAILURE TO FOLLOW THIS WARNING COULD RESULT IN SERIOUS INJURY AND/OR PROPERTY DAMAGE.**

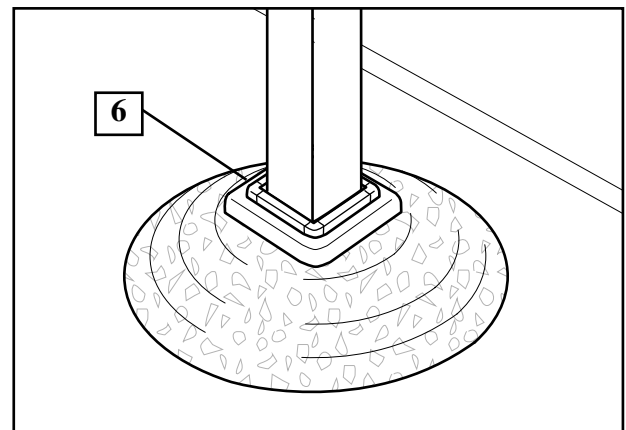


**12.** Remove pole cap from bottom pole section and insert clamp cover (6) onto bottom section. Bend back exposed top flange sections of secured ground sleeve (1) as shown. Then insert pole into ground sleeve (1).

**13.** Secure clamps (4) around pole section as shown. Refer to Step 4. Tighten completely.



**14.** Lower clamp cover (6) over clamps and snap into proper position.



**WARNING!**



**REMOVE BACKBOARD AND RIM BEFORE REMOVING POLE FROM GROUND SLEEVE. REQUIRES TWO PEOPLE TO REMOVE POLE.**

## Free Manuals Download Website

<http://myh66.com>

<http://usermanuals.us>

<http://www.somanuals.com>

<http://www.4manuals.cc>

<http://www.manual-lib.com>

<http://www.404manual.com>

<http://www.luxmanual.com>

<http://aubethermostatmanual.com>

Golf course search by state

<http://golfingnear.com>

Email search by domain

<http://emailbydomain.com>

Auto manuals search

<http://auto.somanuals.com>

TV manuals search

<http://tv.somanuals.com>