

REQUIRED MATERIALS:



• 2 People

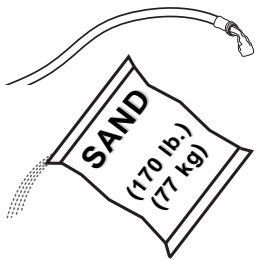


• Wood Board (scrap)



• Sawhorse or Support Table

• Garden Hose or Sand



• (2 each) Wrenches and/or Socket Wrenches and Sockets.



1/2" 9/16"

AND/OR

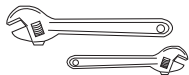


1/2"



9/16"

OPTIONAL TOOLS AND MATERIALS:



• Large and Small Adjustable Wrenches

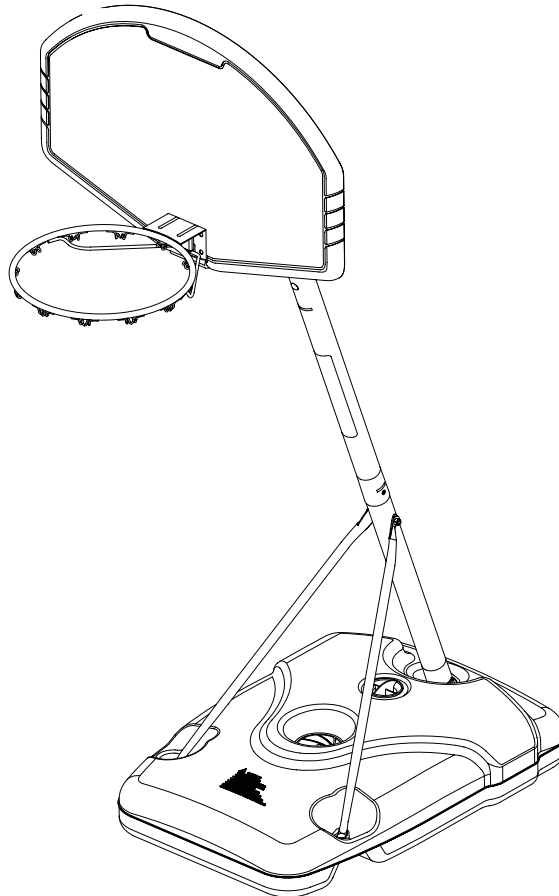
Portable Basketball System Owner's Manual

Customer Service Center

• N53 W24700 South Corporate Circle • Sussex, WI 53089 • U.S.A.

Adult Assembly Required.

This manual, accompanied by sales receipt, should be saved and kept on hand as a convenient reference, as it contains important information about your model.



	⚠ WARNING! READ AND UNDERSTAND OPERATOR'S MANUAL BEFORE USING THIS UNIT.
	FAILURE TO FOLLOW OPERATING INSTRUCTIONS COULD RESULT IN INJURY OR DAMAGE TO PROPERTY.

Write Model Number From Box Here:

Toll-Free Customer Service Number for U.S: 1-800-558-5234,

For Canada: 1-800-284-8339,

For Europe: 00 800 555 85234 (Sweden: 009 555 85234),

For Australia: 1-800-632 7921

Internet Address: <http://www.huffysports.com>



WARNING

Read and understand warnings listed below before using this product.

Failure to follow these warnings may result in serious injury and/or property damage.

Owner must ensure that all players know and follow these rules for safe operation of the system.

- DO NOT HANG on the rim or any part of the system including backboard, support braces or net.
- During play, especially when performing dunk type activities, keep player's face away from the backboard, rim and net. Serious injury could occur if teeth/face come in contact with backboard, rim or net.
- Do not slide, climb, shake or play on base and/or pole.
- After assembly is complete, fill system completely with water or sand. Never leave system in an upright position without filling base with weight, as system may tip over causing injuries.
- When adjusting height or moving system, keep hands and fingers away from moving parts.
- Do not allow children to move or adjust system.
- During play, do not wear jewelry (rings, watches, necklaces, etc.). Objects may entangle in net.
- Surface beneath the base must be smooth and free of gravel or other sharp objects. Punctures cause leakage and could cause system to tip over.
- Keep organic material away from pole base. Grass, litter, etc. could cause corrosion and/or deterioration.
- Check pole system for signs of corrosion (rust, pitting, chipping) and repaint with exterior enamel paint. If rust has penetrated through the steel anywhere, replace pole immediately.
- Check system before each use for proper ballast, loose hardware, excessive wear and signs of corrosion and repair before use.
- Check system before each use for instability.
- Do not use system during windy and/or severe weather conditions; system may tip over. Place system in the storage position and/or in an area protected from the wind and free from personal property and/or overhead wires.
- Never play on damaged equipment.
- When moving system, use caution to keep mechanism from shifting.
- Keep pole top covered with cap at all times.
- Do not allow water in tank to freeze. During sub-freezing weather add 2 gallons of non-toxic antifreeze, sand or empty tank completely and store. (Do not use salt.)
- While moving system, do not allow anyone to stand or sit on base or have added ballasting on base.
- Do not leave system unsupervised or play on system when wheels are engaged for moving.
- Use Caution when moving system across uneven surfaces. System may tip over.
- Use extreme caution if placing system on sloped surface. System may tip over more easily.
- See instruction manual for proper installation and maintenance.

SPALDING
In the U.S.: 1-800-558-5234
In Canada: 1-800-284-8339

HYDRA-RIB
In the U.S.: 1-800-334-9111

RUSSELL
ATHLETIC

SURE SHOT
In the U.S.: 1-888-713-5488

HUFFY SPORTS
In the U.S.: 1-800-558-5234
In Canada: 1-800-284-8339

ID#: 558200 05/05



SAFETY INSTRUCTIONS



FAILURE TO FOLLOW THESE SAFETY INSTRUCTIONS MAY RESULT IN SERIOUS INJURY OR PROPERTY DAMAGE AND WILL VOID WARRANTY.

Owner must ensure that all players know and follow these rules for safe operation of the system.

To ensure safety, do not attempt to assemble this system without following the instructions carefully. Proper and complete assembly, use, and supervision are essential for proper operation and to reduce the risk of accident or injury. A high probability of serious injury exists if this system is not installed, maintained, and operated properly.

- If using a ladder during assembly, use extreme caution.
- Check base regularly for leakage. Slow leaks could cause the system to tip over unexpectedly
- Seat the pole sections properly (if applicable). Failure to do so could allow the pole sections to separate during play and/or during transport of the system.
- Climate, corrosion or misuse could result in system failure.
- If technical assistance is required, contact Huffy Sports.
- Minimum operational height is 4'-6" (1.37m) to the bottom of backboard.

*Most injuries are caused by misuse and/or not following instructions.
Use caution when using this unit.*

NOTICE TO ASSEMBLERS

Adult Assembly Required. Dispose of ALL packaging materials promptly. As with all products, periodically inspect for loose small parts.

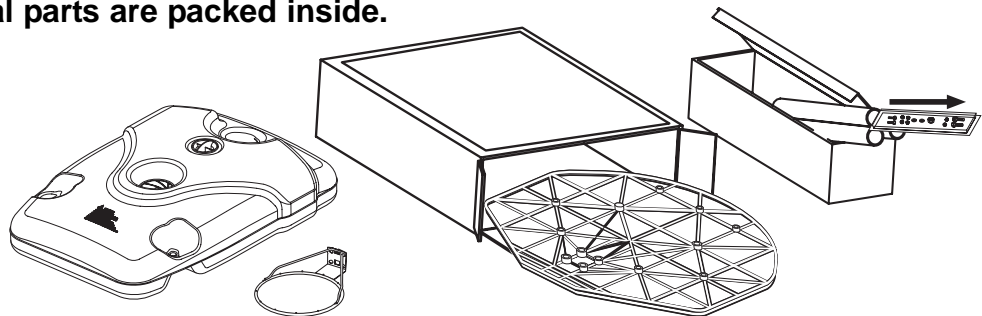
Assembled unit MUST be filled with sand or water at ALL times.

ALL basketball systems, including those used for DISPLAYS, MUST be assembled and installed according to instructions. Failure to follow instructions could result in SERIOUS INJURY. It is NOT acceptable to devise a makeshift support system.

IMPORTANT!

Remove all contents from boxes.

Be sure to check inside pole sections; hardware and additional parts are packed inside.



Questions or Missing Parts?

DON'T go back to store!

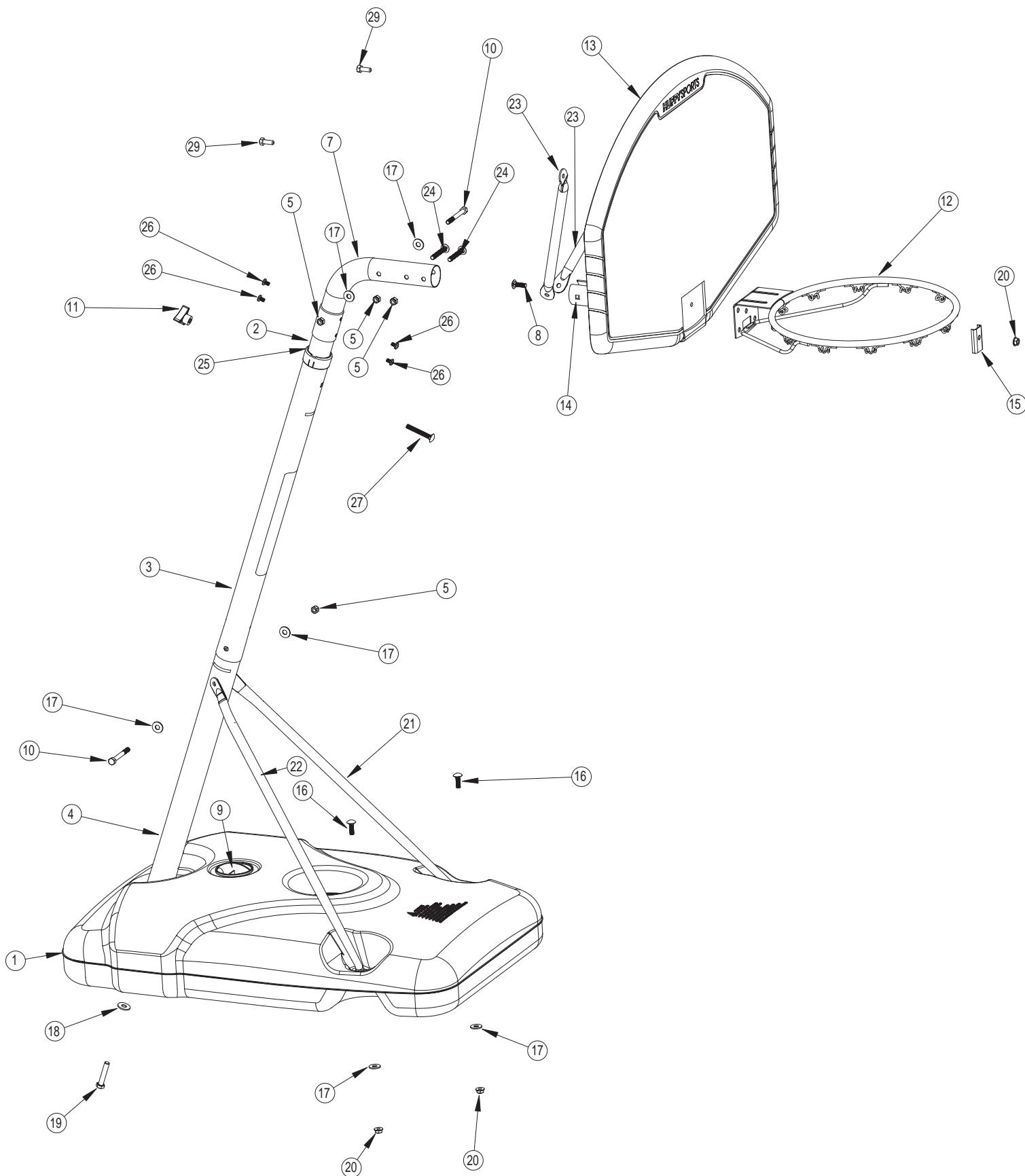
**Call TOLL-FREE Customer Service
Number listed on the front page!**

PRODUCT REGISTRATION:

Please remember to complete your product registration form on-line at:

www.huffysports.com/customer_support/product_registration.

Get to know the basic parts of your basketball system...



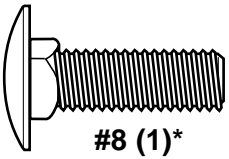
PARTS LIST

Silver

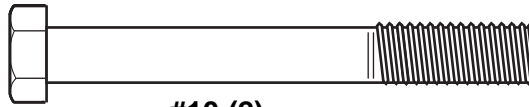
<input checked="" type="checkbox"/>	<u>Item</u>	<u>Qty.</u>	<u>Part No.</u>	<u>Description</u>
<input type="checkbox"/>	1	1	600002	Tank (Black)
<input type="checkbox"/>	2	1	908213	Top Pole Section
<input type="checkbox"/>	3	1	908144	Middle Pole Section with Label
<input type="checkbox"/>	4	1	908132	Bottom Pole Section
<input type="checkbox"/>	5	4	203099	Nut, Ny-Lock, 5/16-18
<input type="checkbox"/>	6	1		Net
<input type="checkbox"/>	7	1	908217	Pole, Elbow Section
<input type="checkbox"/>	8	1*	203223	Bolt, Carriage, 5/16-18 x 1" Long
<input type="checkbox"/>	9	1	266300	Cap, Tank
<input type="checkbox"/>	10	2	203740	Bolt, Hex, Yellow Dichromate, 5/16-18 x 2.63" Long
<input type="checkbox"/>	11	1	201344	Knob, Plastic, 3-sided
<input type="checkbox"/>	12	1		Rim
<input type="checkbox"/>	13	1		Backboard
<input type="checkbox"/>	14	1	908211	Backboard Mounting Bracket
<input type="checkbox"/>	15	1	908129	Rim Bracket
<input type="checkbox"/>	16	2	203217	Bolt, Carriage 5/16-18 x 1-1/2" Long
<input type="checkbox"/>	17	6	203218	Washer, Flat, 5/16
<input type="checkbox"/>	18	1	203309	Washer, Flat, 1.0" O.D.
<input type="checkbox"/>	19	1	203679	Bolt, Hex, 3/8-16 x 2" Long
<input type="checkbox"/>	20	3*	203100	Nut, Flange, 5/16-18
<input type="checkbox"/>	21	1	900454	Strut, Left
<input type="checkbox"/>	22	1	900255	Strut, Right
<input type="checkbox"/>	23	2	908633	Strut, Board
<input type="checkbox"/>	24	2*	203157	Bolt, Carriage 5/16-18 x 2-1/4" Long
<input type="checkbox"/>	25	1	600000	Bushing, Snap, Plastic
<input type="checkbox"/>	26	4	204558	Screw, Phillips Pan
<input type="checkbox"/>	27	1	203038	Bolt, Carriage 5/16-18 x 2-3/4" Long
<input type="checkbox"/>	28	1	600014	Bushing, Snap, Plastic
<input type="checkbox"/>	29	2	204962	Bolt, Hex, 5/16-18 x .625" Long

* You may have extra parts with this model.

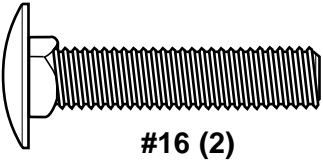
PARTS IDENTIFIER- Actual Size



#8 (1)*



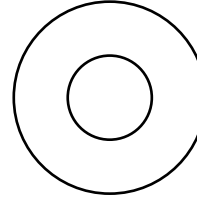
#10 (2)



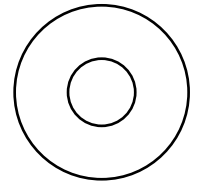
#16 (2)



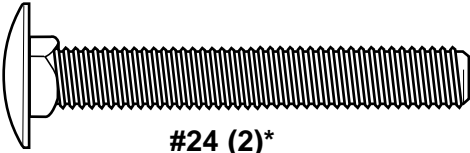
#19 (1)



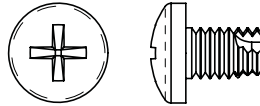
#18 (1)



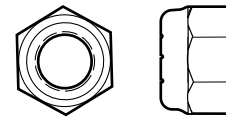
#17 (6)



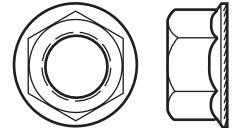
#24 (2)*



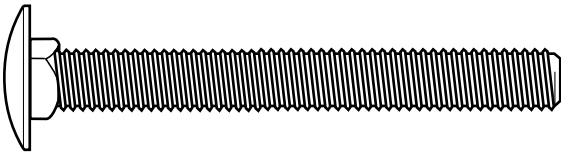
#26 (4)



#5 (4)

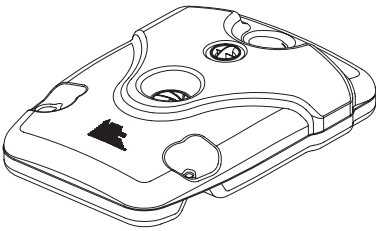


#20 (3)*



#27 (1)

PARTS IDENTIFIER- Not Actual Size



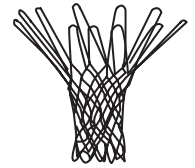
#1 (1)



#21 (1)



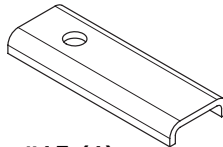
#22 (1)



#6 (1)



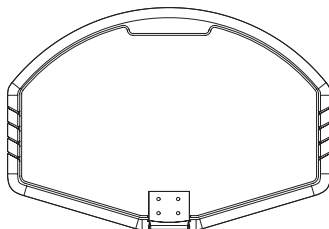
#11 (1)



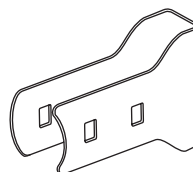
#15 (1)



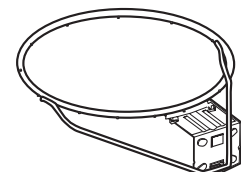
#9 (1)



#13 (1)



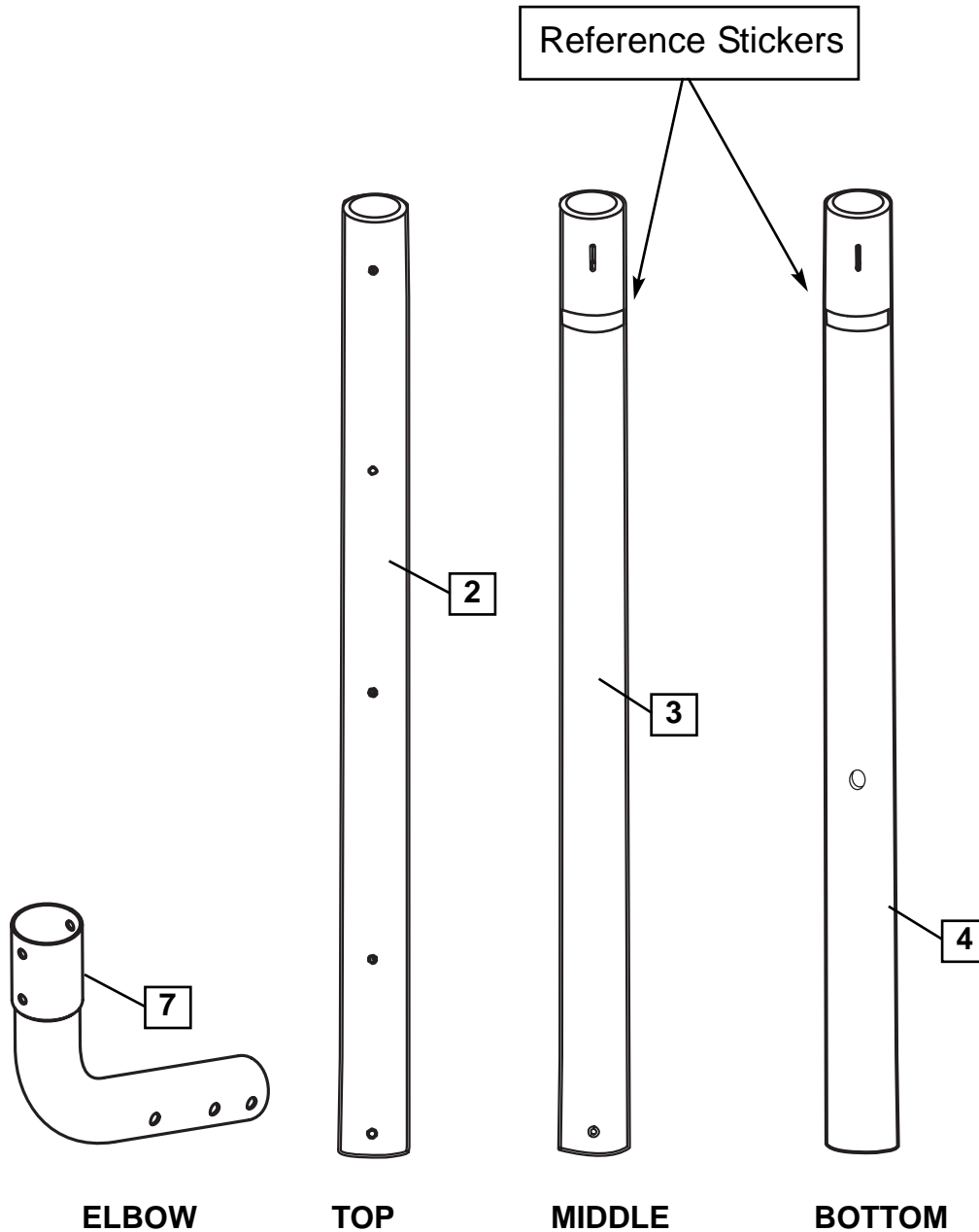
#14 (1)



#12 (1)

SECTION A: ASSEMBLE THE POLES


1. Correctly identify each pole section. Poles have an identification sticker that will be used as a reference point in the next step.



IMPORTANT!

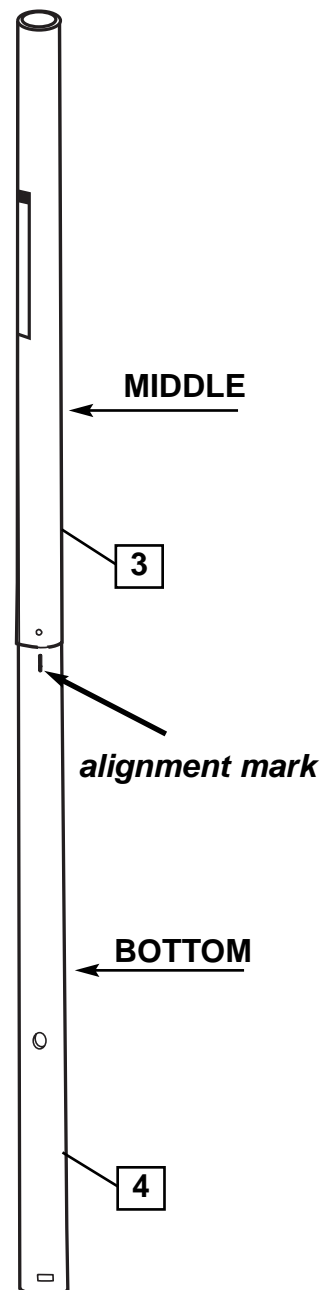
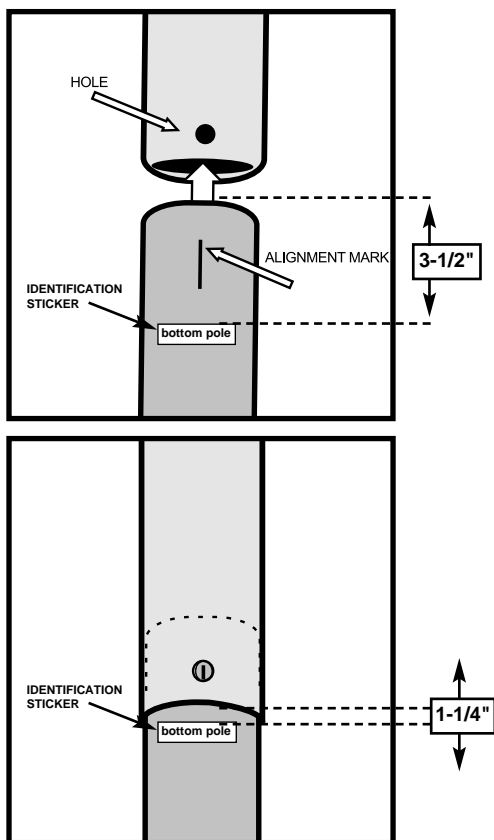
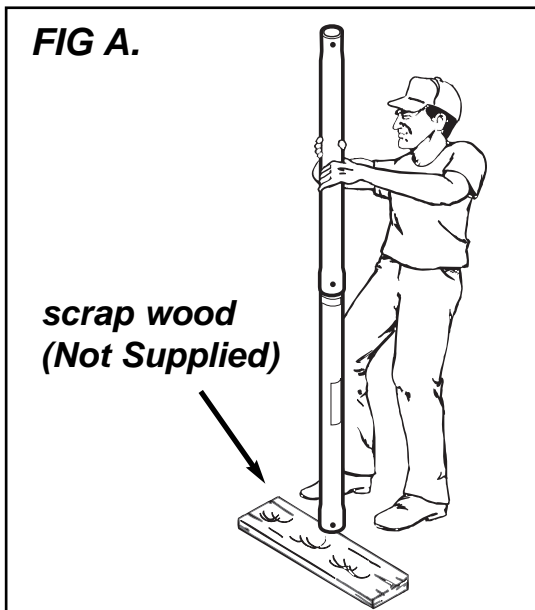
ONCE POLE SECTIONS ARE POUNDED TOGETHER- THEY CANNOT BE TAKEN APART

- 2.** Align poles using *alignment marks*. Pound middle and bottom poles together by bouncing them on a scrap piece of wood on the ground as shown in **FIG A.** until they no longer move toward pole identification stickers.



CAUTION!

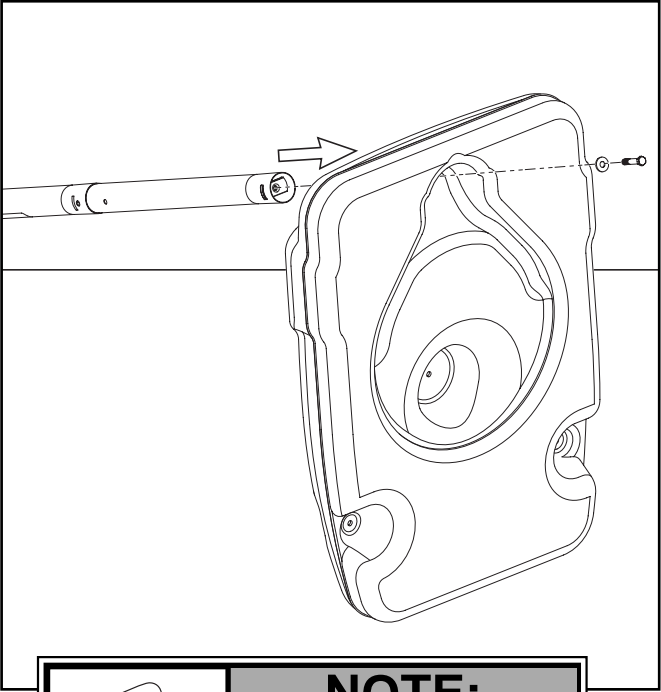
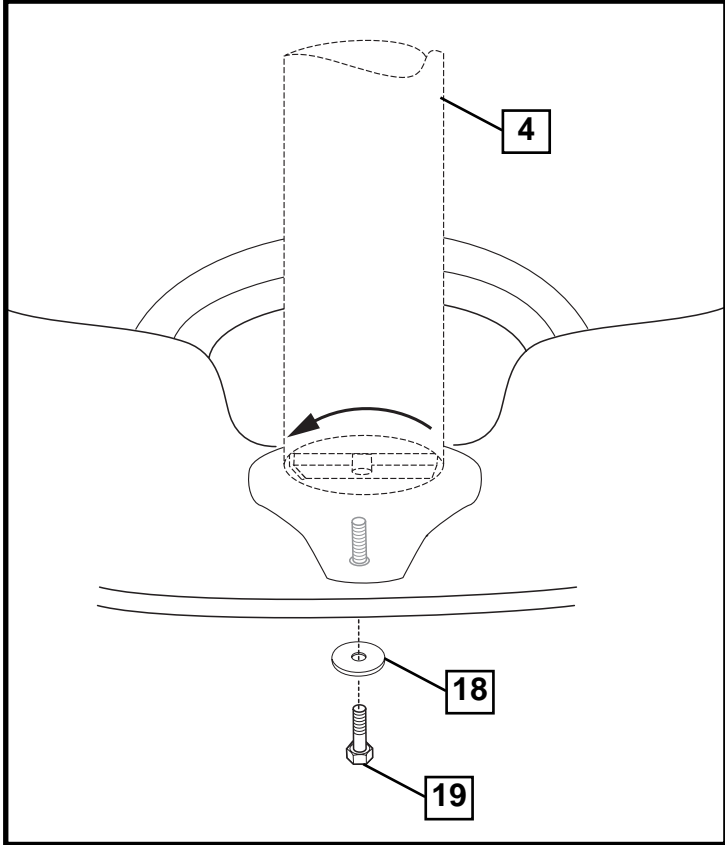
THE IDENTIFICATION STICKER IS LOCATED 3-3/4" FROM THE END OF THE POLE. WHEN PROPERLY POUNDED TOGETHER, THE POLE SECTIONS SHOULD HAVE A 2-1/2" MINIMUM OVERLAP, LEAVING 1-1/4" BETWEEN THE OVERLAPPING POLE AND THE IDENTIFICATION STICKER.

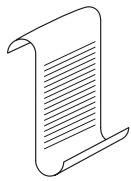



3.

Attach pole assembly to tank as shown. Secure pole assembly to tank by turning the pole assembly clockwise as shown.

	! WARNING!
	TWO PEOPLE REQUIRED FOR THIS PROCEDURE. FAILURE TO FOLLOW THIS WARNING COULD RESULT IN SERIOUS INJURY AND/OR PROPERTY DAMAGE.

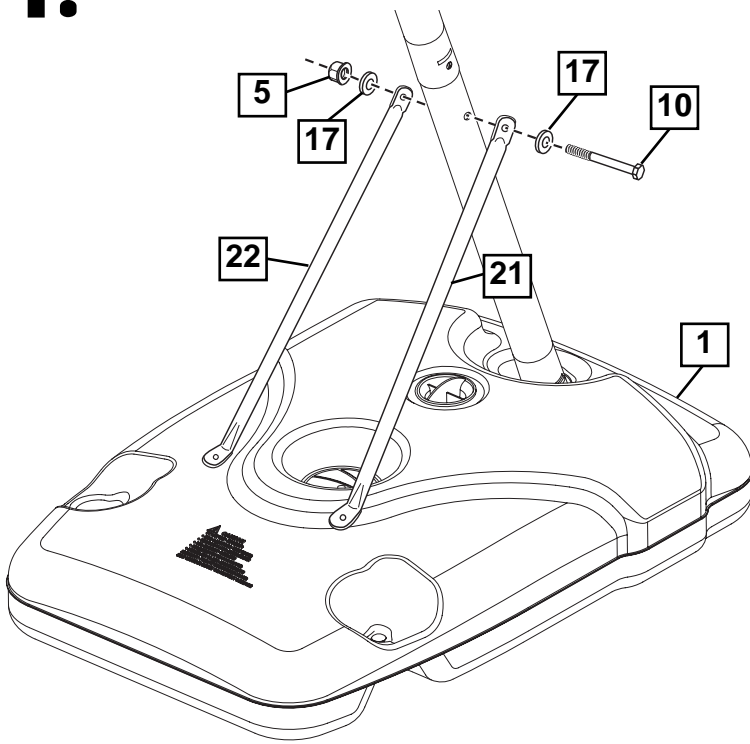


	NOTE:
	CAREFULLY TIPPING THE SYSTEM FORWARD WILL ALLOW EASIER ACCESS TO UNDERSIDE OF BASE

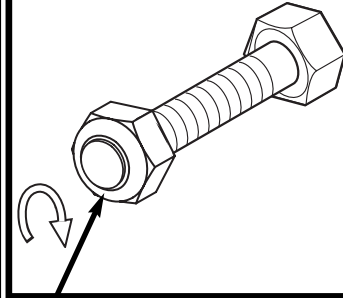
IMPORTANT!	

4.

Secure tank struts (21 & 22) to pole.



! WARNING!

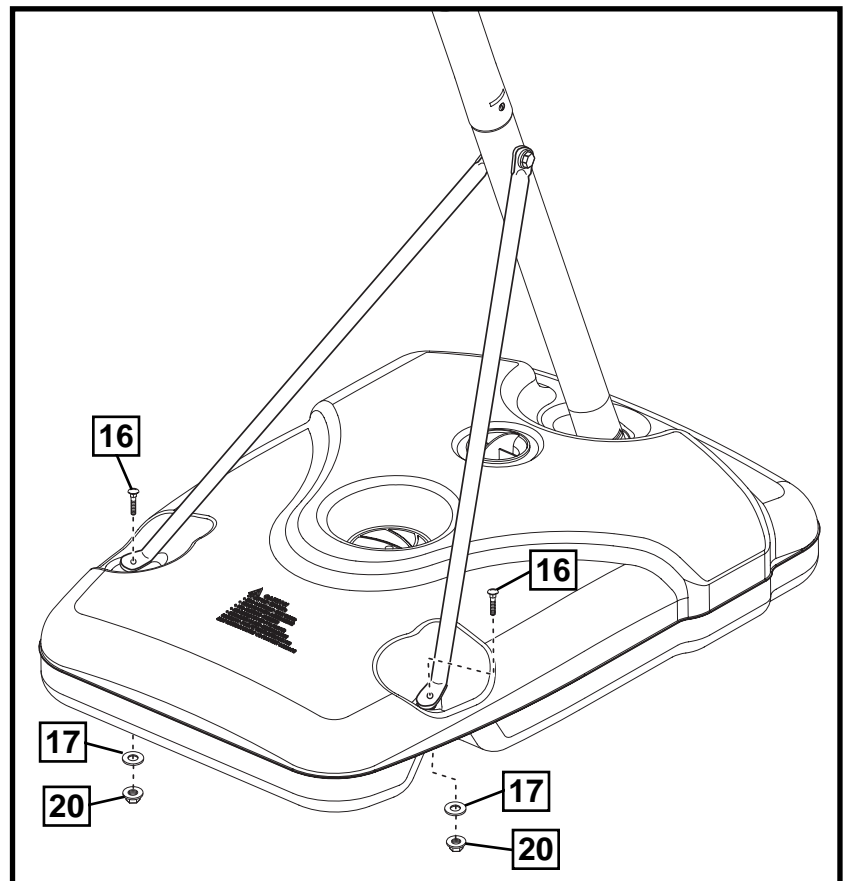
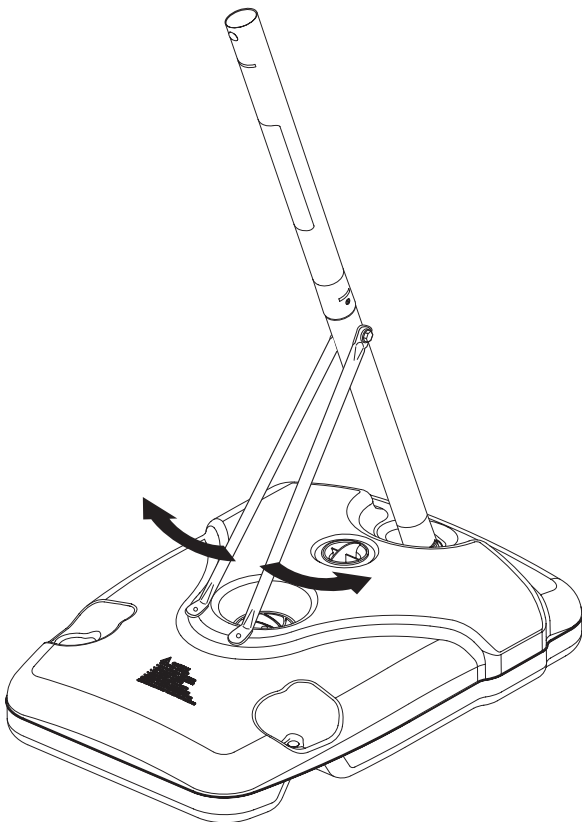


TIGHTEN BOLT (10) IN LOCK NUT (5) UNTIL FLUSH (EVEN) WITH LOCK NUT'S OUTER EDGE.

FAILURE TO FOLLOW THIS WARNING COULD RESULT IN SERIOUS INJURY AND/OR PROPERTY DAMAGE.

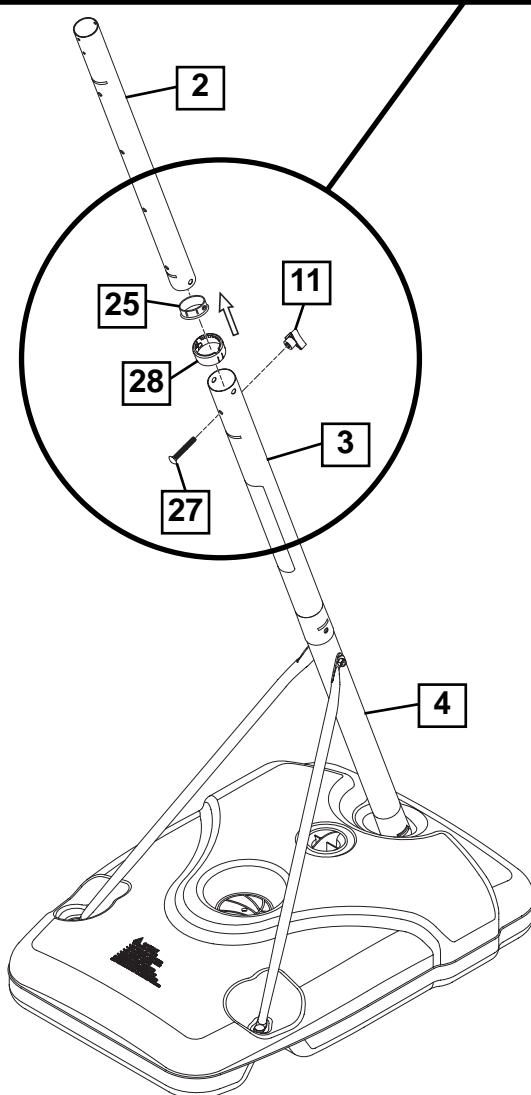
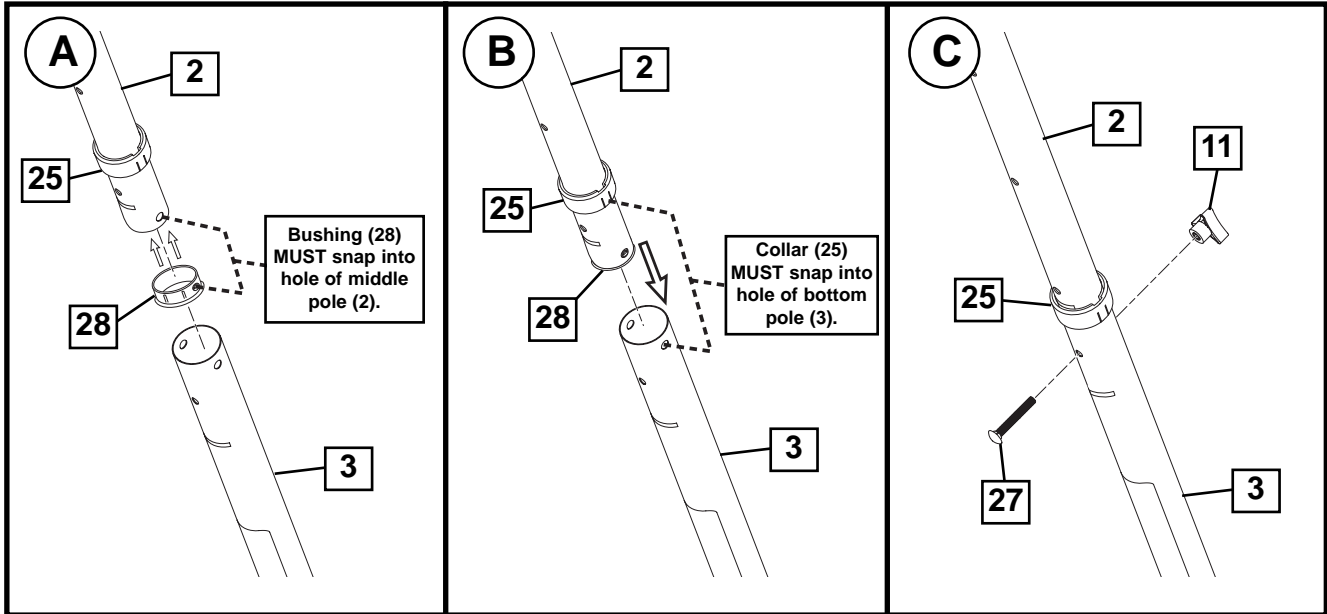
5.

Rotate struts down and bend struts outward to line up with holes on base as shown. Secure free ends of tank struts to tank with carriage bolt (16), washer (17), and nut (20) as shown. Repeat for other side.



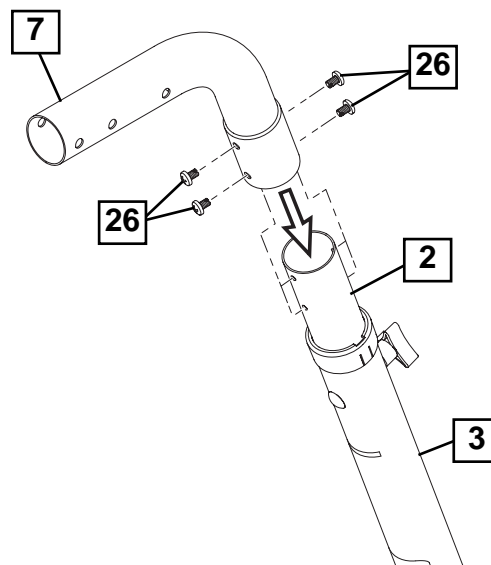
6.

- A. Slide the top pole through the locking collar (25) and attach snap bushing to the bottom of the middle pole section (2).
- B. Slide top pole (2) into middle pole (3).
- C. Secure the poles together with carriage bolt (27) and knob (11) as shown.



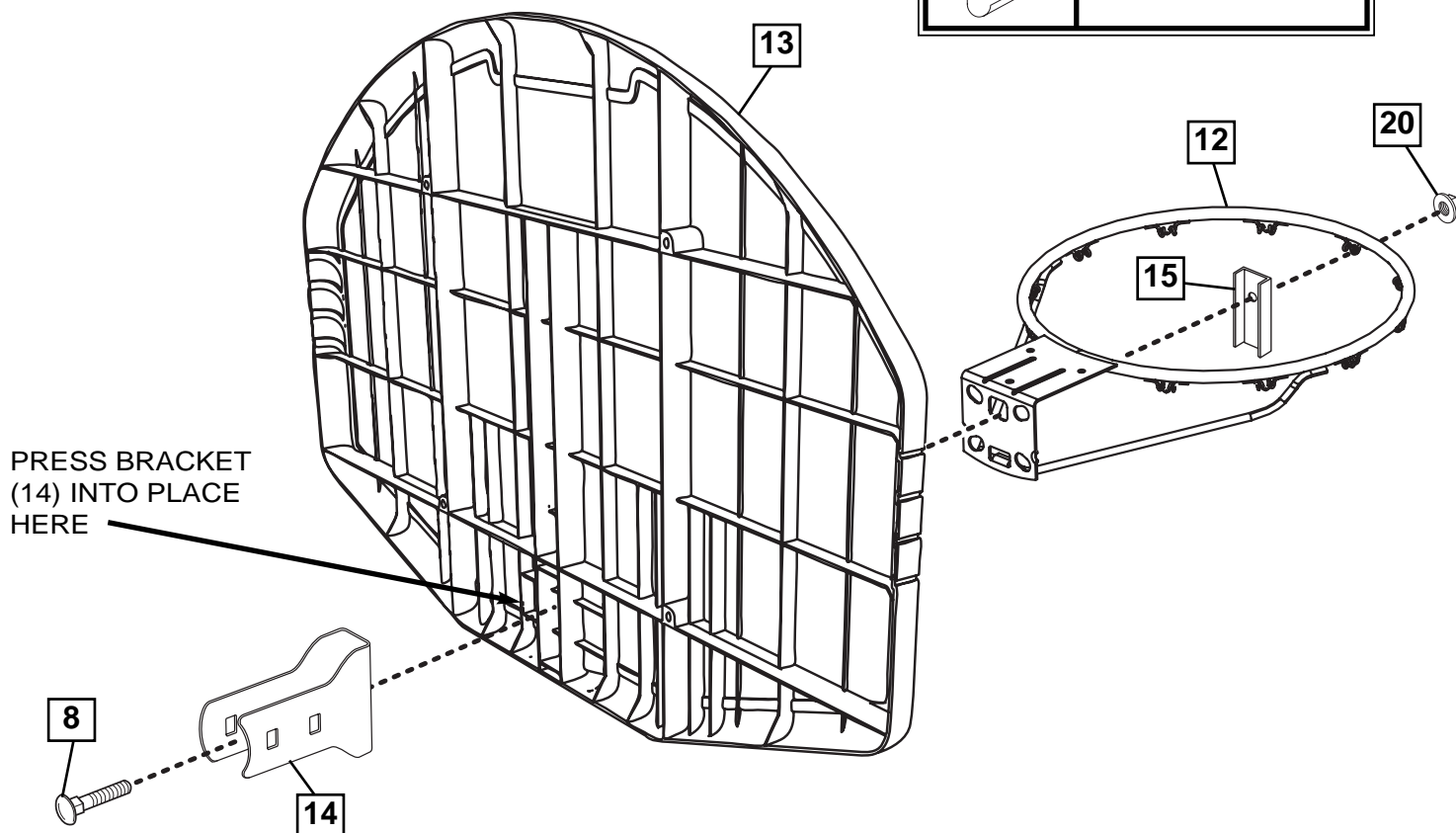
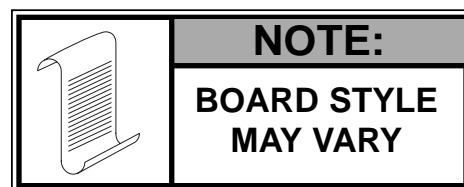
7.

Install the angled board mount (7) onto the top pole (2) and secure with the screws (26) as shown.

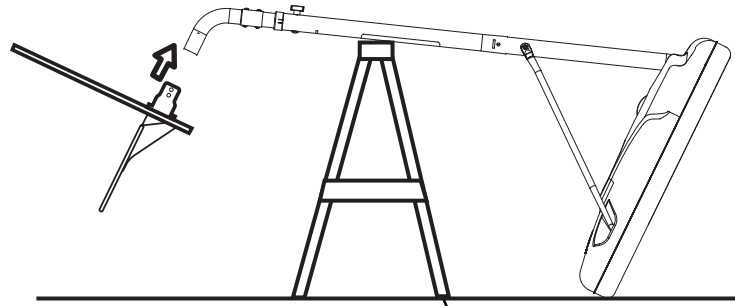


8.

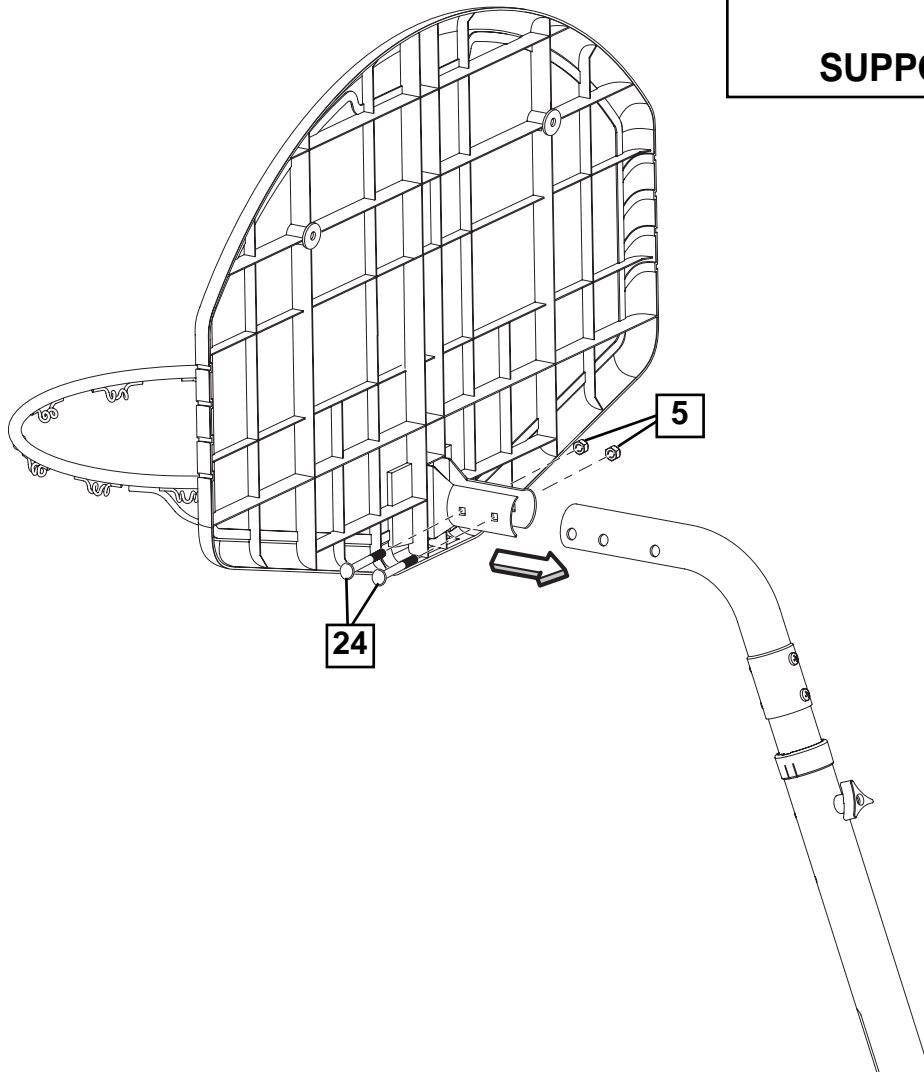
Pole bracket will need to be lightly pressed into backboard ribbing. Be sure to press completely into place. Attach rim (12) to backboard and pole bracket (14) with nut (20), reinforcement bracket (15), and carriage bolt (8) as shown. Tighten nut completely.



- 9.** Carefully tip unit forward and slide backboard assembly onto pole as shown using bolts (24) and nuts (5).

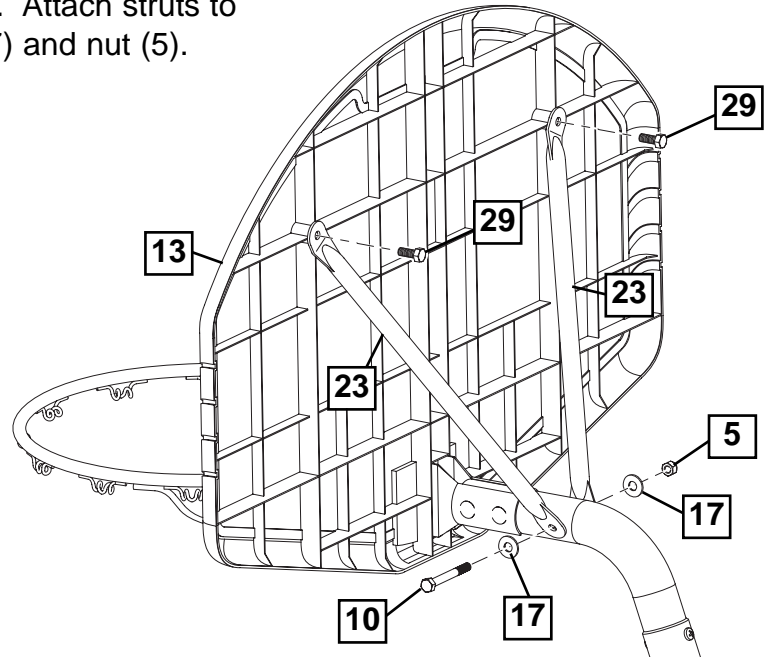


**SAWHORSE
OR
SUPPORT TABLE**



10.

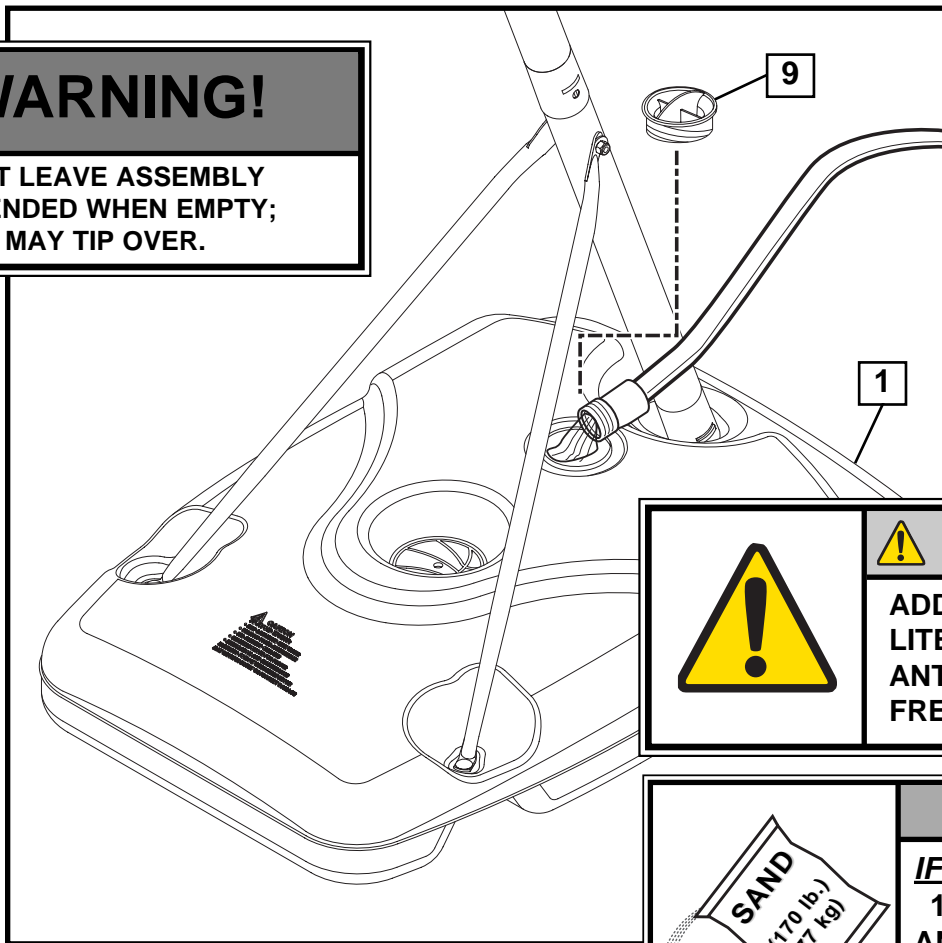
Attach struts (23) to board assembly using bolts (29) and washers (17) as shown. Attach struts to pole using bolt (10), washers (17) and nut (5).





11.

Place assembled unit in desired location. Fill tank (1) completely with water (14 gallons/53 liters) or sand (approx. 170 lb./77 kg) and install tank cap (9).

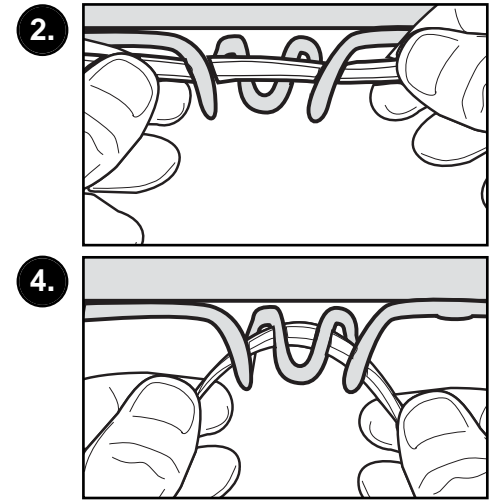
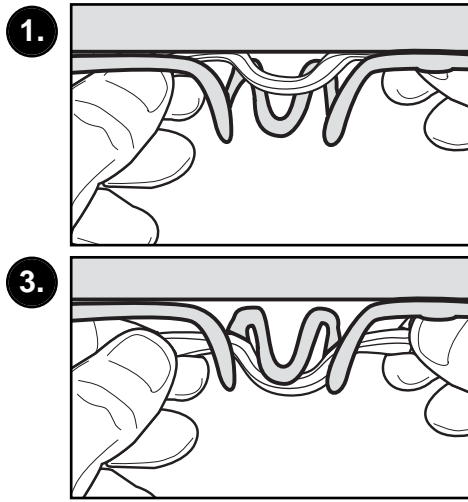
 **WARNING!**
DO NOT LEAVE ASSEMBLY UNATTENDED WHEN EMPTY; IT MAY TIP OVER.




 **CAUTION!**
ADD ONE GALLON (3.78 LITERS) OF NON-TOXIC ANTIFREEZE IN SUB-FREEZING CLIMATES.

 **NOTE:**
IF USING SAND:
1 GALLON OF ANTI-FREEZE IS NOT REQUIRED

12. Install net (6).






WARNING!

READ AND UNDERSTAND

FAILURE TO FOLLOW OPERATING INSTRUCTIONS COULD RESULT IN INJURY OR DAMAGE TO PROPERTY.



WARNING

Read and understand warnings listed below before using this product.

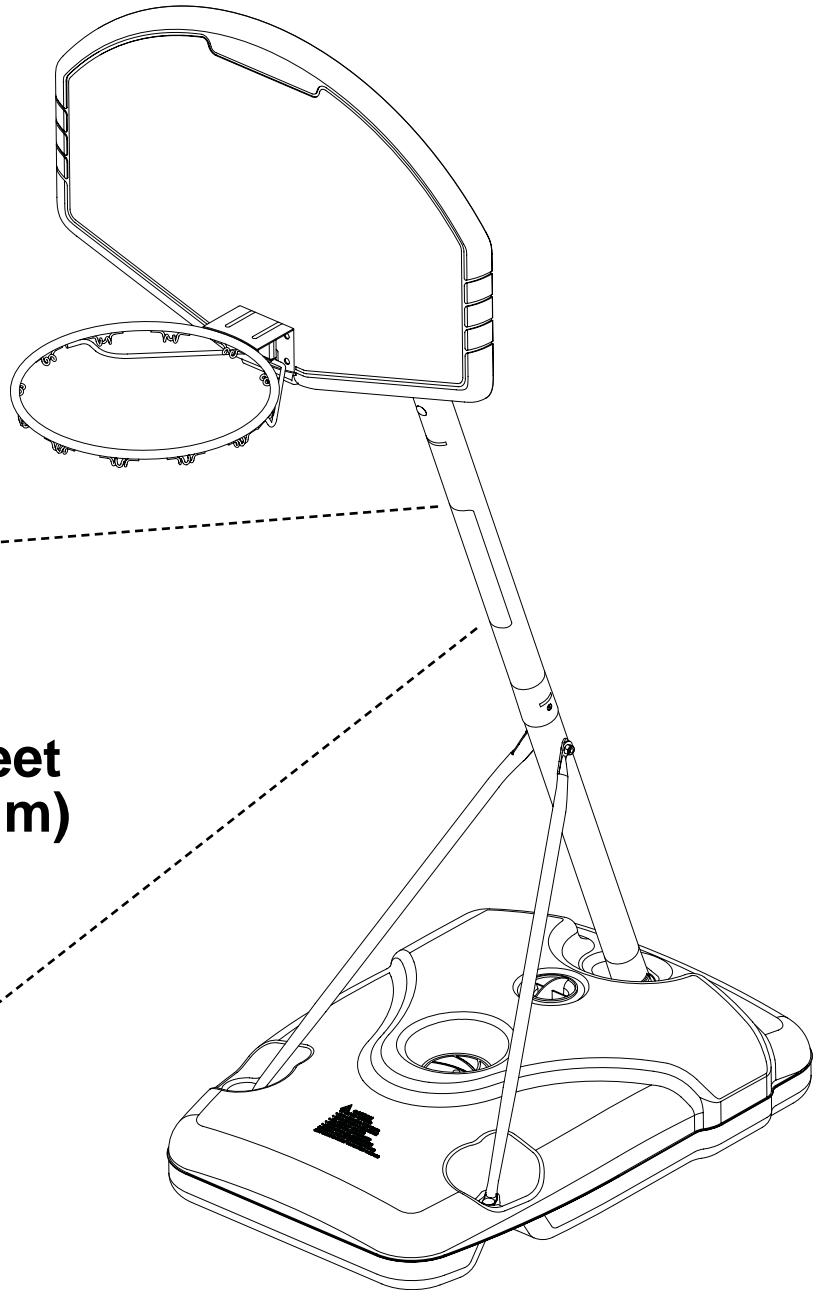
Failure to follow these warnings may result in serious injury and/or property damage.

Owner must ensure that all players know and follow these rules for safe operation of the system.

- DO NOT HANG on the rim or any part of the system including backboard, support braces or net.
- During play, especially when performing dunk type activities, keep player's face away from the backboard, rim and net. Serious injury could occur if seatface comes in contact with backboard, rim or net.
- Do not slide, climb, shake or play on base and/or coils.
- After assembly is complete, fill system completely with water or sand. Never leave system in an upright position without filling base with weight, as system may tip over causing injuries.
- When adjusting height or moving system, keep hands and fingers away from moving parts.
- Do not allow children to move or adjust system.
- During play, do not wear jewelry (rings, watches, necklaces, etc.). Objects may entangle in net.
- Surface beneath the base must be smooth and free of gravel or other sharp objects. Punctures cause leakage and could cause system to tip over.
- Keep organic material away from pole base. Grass, litter, etc. could cause corrosion and/or deterioration.
- Check pole system for signs of corrosion (rust, pitting, chipping) and repair with exterior enamel paint. If rust has penetrated through the steel anywhere, replace pole immediately.
- Check system before each use for proper ballast, loose hardware, excessive wear and signs of corrosion and repair before use.
- Check system before each use for instability.
- Do not use system during windy and/or severe weather conditions; system may tip over. Place system in the storage position and/or in an area protected from the wind and free from personal property and/or overhead wires.
- Never play on damaged equipment.
- When moving system, use caution to keep mechanism from slipping.
- Keep pole top covered with cap at all times.
- Do not allow water in tank to freeze. During sub-freezing weather add 2 gallons of non-toxic antifreeze, sand or empty tank completely and store. (Do not use salt.)
- While moving system, do not allow anyone to stand or sit on base or have added ballasting on base.
- Do not leave system unattended or play on system when wheels are engaged for moving.
- Use Caution when moving system across uneven surfaces. System may tip over.
- Use extreme caution if placing system on sloped surface. System may tip over more easily.
- See instruction manual for proper installation and maintenance.

SPALDING **HYDRA-RIB**
RUSSSELL **ATHLETIC**
Sumo Sports **HUFFY SPORTS**

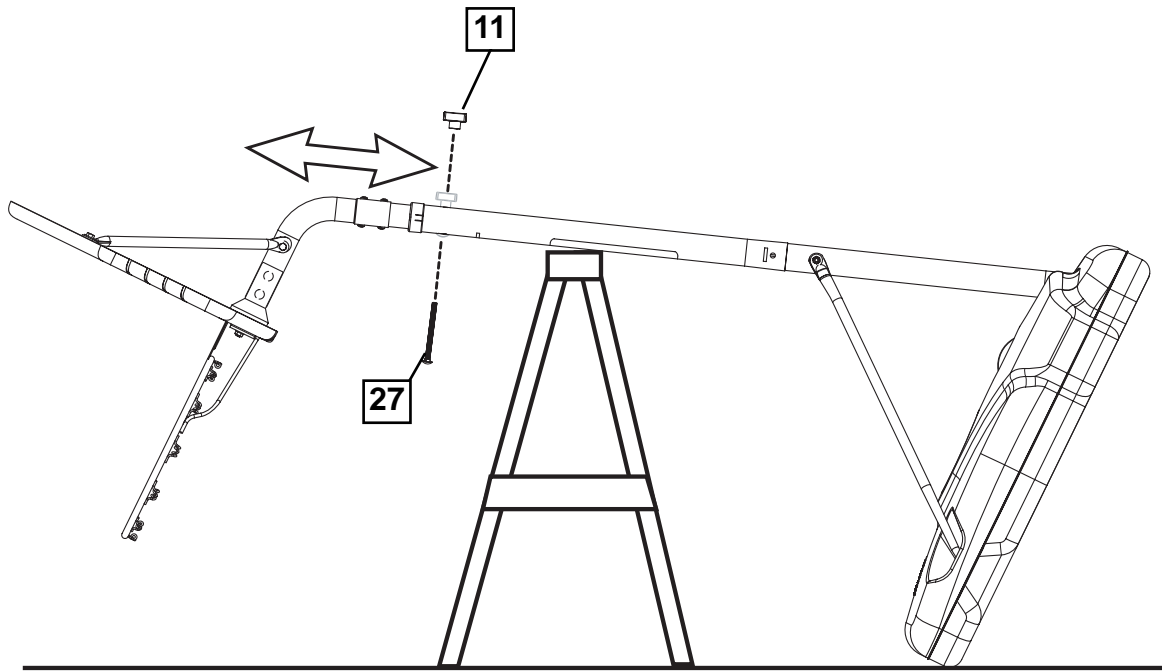
**6.5 feet
(1.98 m)**



13.

Adjusting Height.

Rest unit on support table. Remove adjustment knob (11) and carriage bolt (27) to extend or retract backboard and rim. Height adjustment ranges from 4-1/2' - 6-1/2'.



Free Manuals Download Website

<http://myh66.com>

<http://usermanuals.us>

<http://www.somanuals.com>

<http://www.4manuals.cc>

<http://www.manual-lib.com>

<http://www.404manual.com>

<http://www.luxmanual.com>

<http://aubethermostatmanual.com>

Golf course search by state

<http://golfingnear.com>

Email search by domain

<http://emailbydomain.com>

Auto manuals search

<http://auto.somanuals.com>

TV manuals search

<http://tv.somanuals.com>