

In-Ground Basketball System Owner's Manual

SAFETY INSTRUCTIONS

FAILURE TO FOLLOW THESE SAFETY INSTRUCTIONS MAY RESULT IN SERIOUS INJURY, PROPERTY DAMAGE AND WILL VOID WARRANTY.

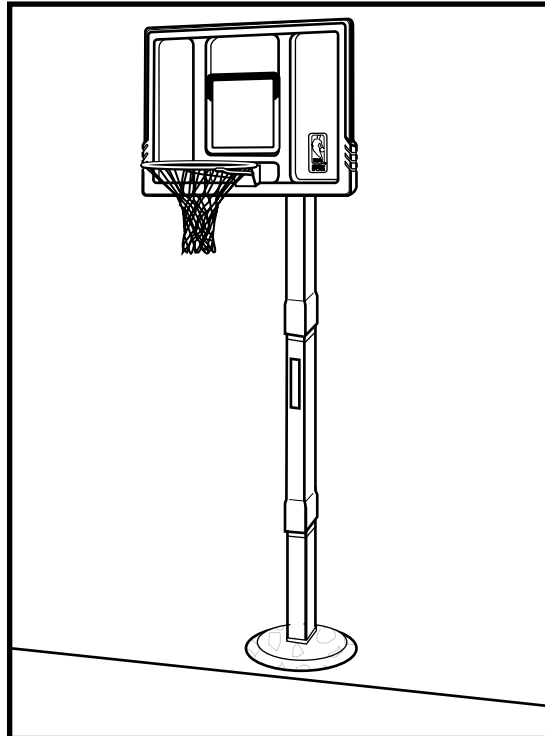
Owner must ensure that all players know and follow these rules for safe operation of the system.

To ensure safety, do not attempt to assemble this system without following the instructions carefully. Proper and complete assembly, use and supervision is essential for proper operation and to reduce the risk of accident or injury. A high probability of serious injury exists if this system is not installed, maintained, and operated properly. Check entire box and inside all packing material for parts and/or additional instructional material. Before beginning assembly, read the instructions and identify parts using the hardware identifier and parts list in this document.

- If using a ladder during assembly, use extreme caution.
- Two (2) people are recommended for this operation.
- Seat the pole sections properly. Failure to do so could allow the pole sections to separate during play.
- Before digging, contact utility company to locate underground power cables, gas, and water lines. Ensure there are no overhead power lines within 20 ft. (7 m) radius of pole location.
- Climate, corrosion, excessive use, or misuse could result in system failure.
- If technical assistance is required, contact Huffy Sports.
- Minimum operational height is 6' 6" (1.98 m) to the bottom of backboard.
- This equipment is intended for home recreational use only and NOT excessive competitive play.
- Read and understand the warning label affixed to pole. Label is shown on page 6.
- The life of your basketball pole depends on many conditions. The climate, placement of the pole, the location of the pole, exposure to corrosives such as pesticides, herbicides or salts are all important.
- Adult supervision is recommended when adjusting height.
- Serious injury could occur if teeth/face come in contact with backboard, net, or rim.

*Most injuries are caused by misuse and/or not following instructions.
Use caution when using this system.*

For more information on assembly, placement, proper use and maintenance, visit The American Basketball Council website at <http://www.smarthoops.com>.



REQUIRED TOOLS AND MATERIALS:

- Two People
- Tape Measure
- Tape
- Shovel and Spade
- Concrete, 900 lb. (408 kg) and Container to Mix
- Carpenter's Level
- Wood Board (Scrap)
- Step Ladder 8 ft. (2.4 m)
- Wrenches: (Two) 1/2", 9/16", 3/4" or two Large and Small Adjustable Wrenches
- Drill
- Safety Goggles

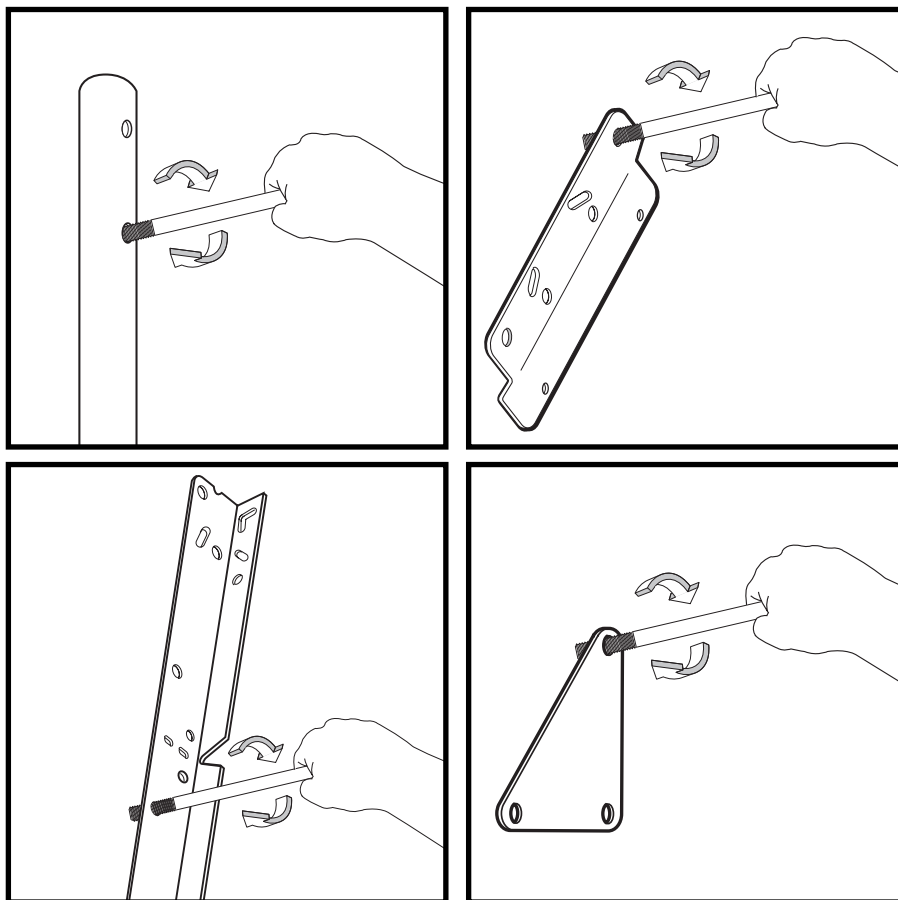
In U.S. and Canada only: Have questions...don't go back to the store!

We appreciate your purchasing one of our many fine products. We are sure that you will be very satisfied with your selection. Although great care and effort have been taken, occasionally problems may occur. To ensure prompt and correct handling of any problems, or to answer any questions, please contact our Toll-Free Customer Service Number listed below. **Service will be quicker if you have your Model Number (found on carton) and assembly instructions ready when calling. PLEASE WRITE YOUR MODEL NUMBER IN THE SPACE PROVIDED ABOVE.**

Toll-Free Customer Service Number for U.S: 1-800-558-5234, For Canada: 1-800-284-8339, For Europe: 00 800 555 85234 (Sweden: 009 555 85234),

For Australia: 1-800-333 061 - Internet Address: <http://www.huffysports.com>

BEFORE YOU START!



To ensure optimal playability of backboard system, a close tolerance fit between the elevator components and hardware is required. Test fit large bolts into large holes of elevator tubes, backboard brackets and triangle plates. Carefully rock them in a circular motion to ream out any excess paint from holes if necessary.

AVANT DE COMMENCER !

Pour garantir l'utilisation optimale du panneau, les composants du système élévateur et la visserie doivent être bien ajustés (serrés). À titre d'essai, insérez les gros boulons dans les gros trous des tubes du système élévateur, des supports du panneau et des plaques triangulaires. Basculez-les avec précaution en imprimant un mouvement circulaire pour éliminer l'excédent de peinture, si nécessaire.

¡ANTES DE COMENZAR!

Para asegurar el óptimo rendimiento del sistema del respaldo en el juego, se requiere un ajuste de tolerancia estrecha entre los componentes del elevador y el herraje. Pruebe el ajuste de los pernos grandes en los orificios grandes de los tubos elevadores, soportes del respaldo y placas triangulares. Cuidadosamente muévalos en círculos para eliminar cualquier exceso de pintura, si es necesario.

VORBEREITENDE MASSNAHMEN

Um sicherzustellen, dass das Korbwandssystem optimal für den Spielbetrieb geeignet ist, müssen die Komponenten der Verlängerungsvorrichtung und die verschiedenen Befestigungsteile fest miteinander verschraubt werden. Große Schrauben zur Probe in die großen Löcher der Verlängerungsrohre, Korbwandklammern und Dreiecksplatte stecken und diese vorsichtig in einer Kreisbewegung hin- und herbewegen, um eventuelle Farbrückstände aus den Bohrungen zu entfernen.



WARNING

FAILURE TO FOLLOW THESE WARNINGS MAY RESULT IN SERIOUS INJURY AND/OR PROPERTY DAMAGE.

Owner must ensure that all players know and follow these rules for safe operation of the system.

- DO NOT HANG on the rim or any part of the system including backboard, support braces or net.
- During play, especially when performing dunk type activities, keep player's face away from the backboard, rim and net. Serious injury could occur if teeth/face come in contact with backboard, rim or net.
- Do not slide, climb, shake or play on pole.
- When adjusting height, keep hands and fingers away from moving parts.
- Do not allow children to move or adjust system.
- During play, do not wear jewelry (rings, watches, necklaces, etc.). Objects may entangle in net.
- Keep organic material away from pole base. Grass, litter, etc. could cause corrosion and/or deterioration.
- Check pole system for signs of corrosion (rust, pitting, chipping) and repaint with exterior enamel paint. If rust has penetrated through the steel anywhere, replace the pole immediately.
- Check system before each use for proper ballast, loose hardware, excessive wear and signs of corrosion and repair before use.
- Check system before each use for instability.
- Never play on damaged equipment.
- Keep pole top covered with cap at all times.
- See instruction manual for proper installation.

HUFFY® SPORTS

In the U.S.: 1-800-558-5234 and Canada: 1-800-284-8339

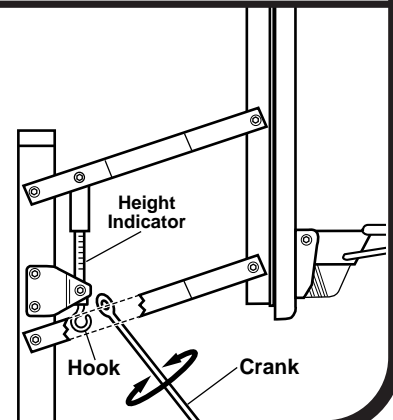
201240 2/99

37

HEIGHT ADJUSTMENT

TO ADJUST BACKBOARD:

Position looped end of crank onto hook as shown. Rotate crank handle to raise or lower backboard.



201248 2/99



1.

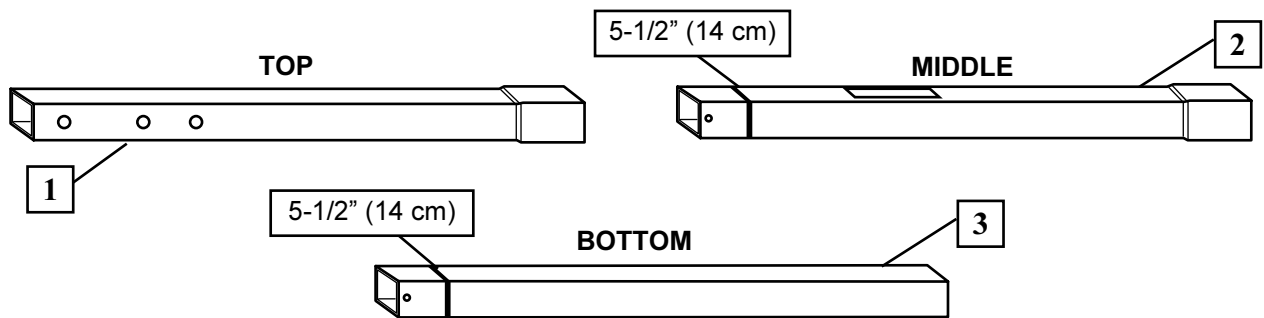


Questions or Missing Parts?

DON'T go back to store!

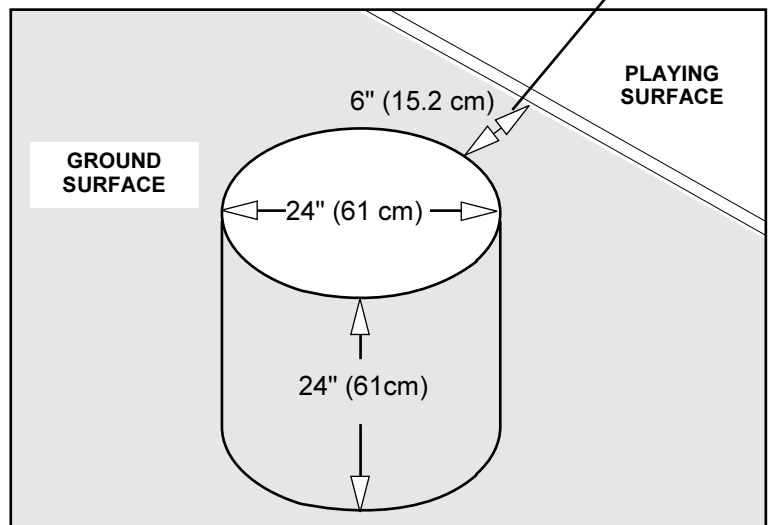
Call TOLL-FREE Customer Service
Number listed on the front page!

Correctly identify each pole section and mark indicated distance from ends with tape.

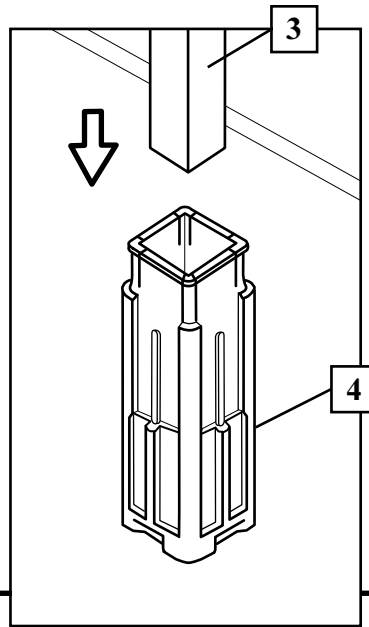


2. Make sure ground is level with playing surface, then dig pole hole.

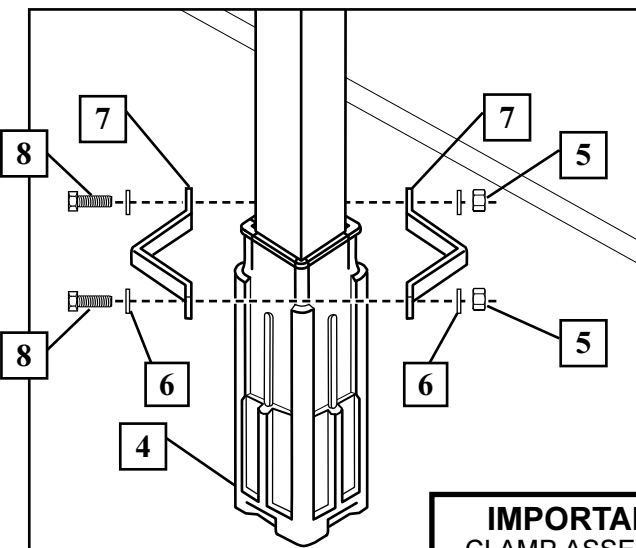
NOTE: Maximum distance from edge of hole to edge of playing surface 6" (15.2 cm).



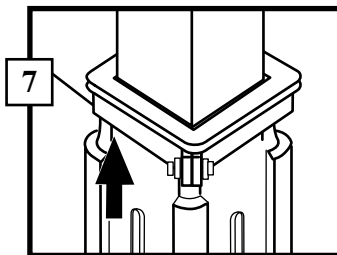
3. Insert bottom pole section (3) into ground sleeve (4).



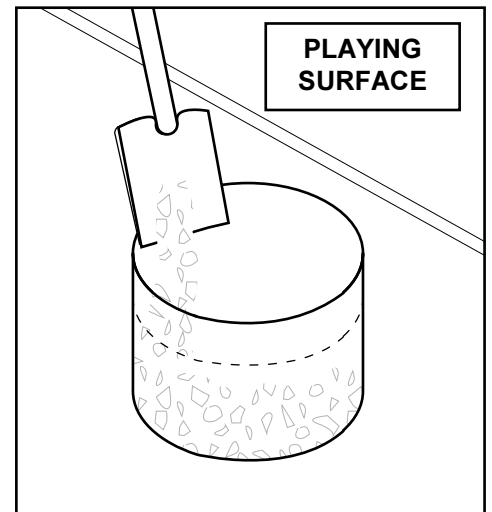
4. Assemble clamps (7) around bottom pole and ground sleeve (4) as shown.



IMPORTANT!
CLAMP ASSEMBLY
MUST BE POSITIONED
AS SHOWN BELOW.



5. Fill hole approximately 3/4 full with concrete. Tamp down concrete to release air pockets.

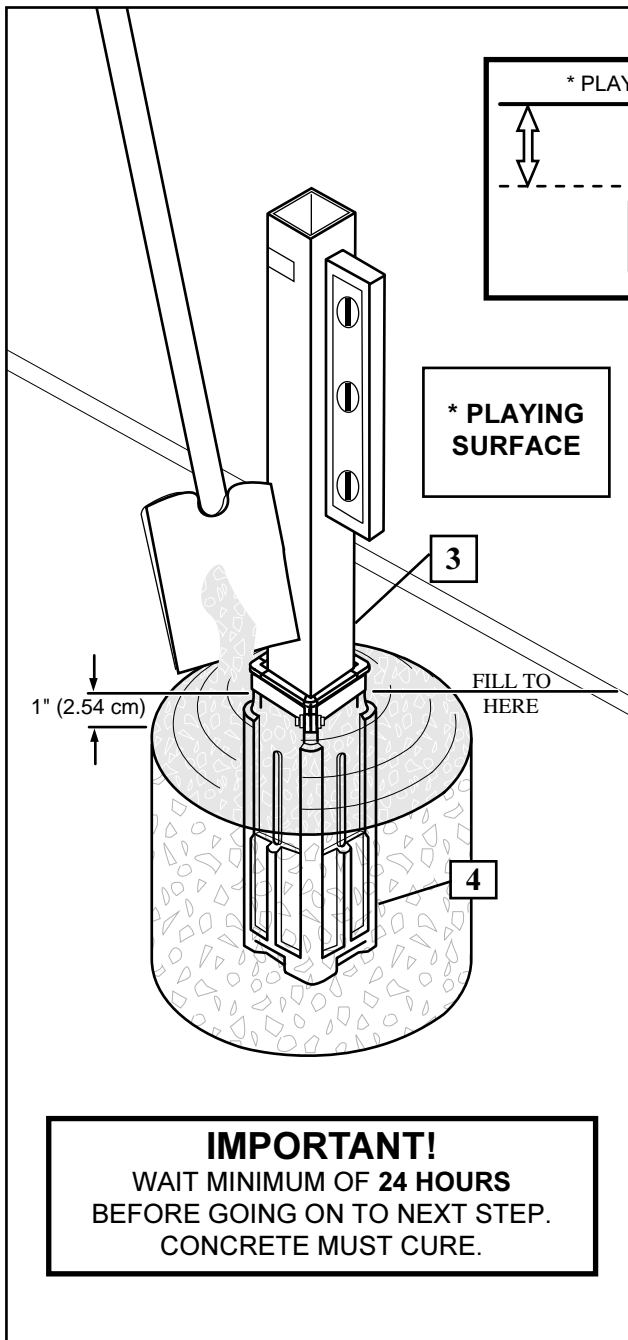


6.

Insert ground sleeve (4) and pole section (3) into hole. Fill remaining hole with concrete. Tamp down concrete to release air pockets and build drainage hill. Center and level ground sleeve assembly in hole. Check leveling on all sides several times while concrete is curing. **NOTE: Make sure concrete is set up to clamp assembly as shown below.**

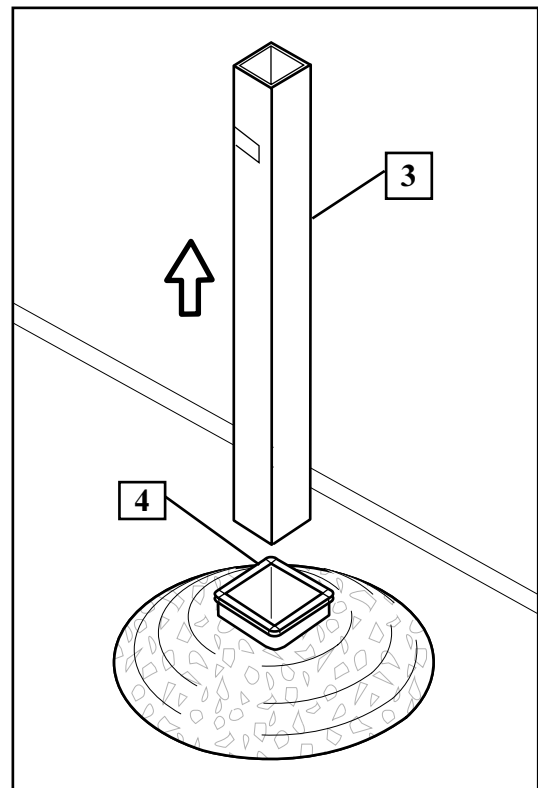
IMPORTANT!

FRONT OF POLE MUST BE PARALLEL WITH PLAYING SURFACE.



7.

After concrete cures, remove clamp assembly and lift bottom pole section (3) from ground sleeve (4) as shown.

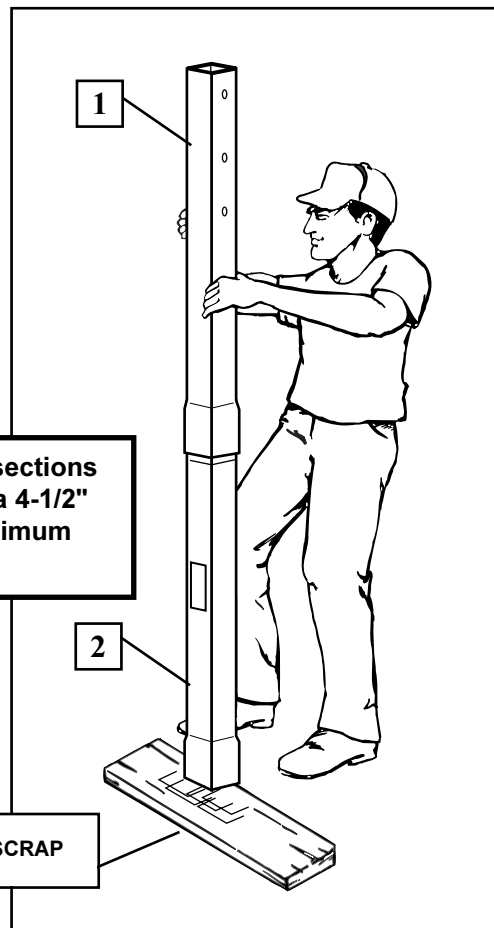


- 8. IMPORTANT!** Bounce pole top (1) and middle section (2) together as shown until they no longer move toward taped reference mark.

NOTE: Pole sections should have a 4-1/2" (11.4 cm) minimum overlap.

- 9. IMPORTANT!** Add bottom pole section (3) to assembly. Bounce pole sections together 3 times, rotate 90° and repeat rotation bounce procedure. Continue this step until pole sections are completely tight.

NOTE: Pole sections should have a 4-1/2" (11.4 cm) minimum overlap.



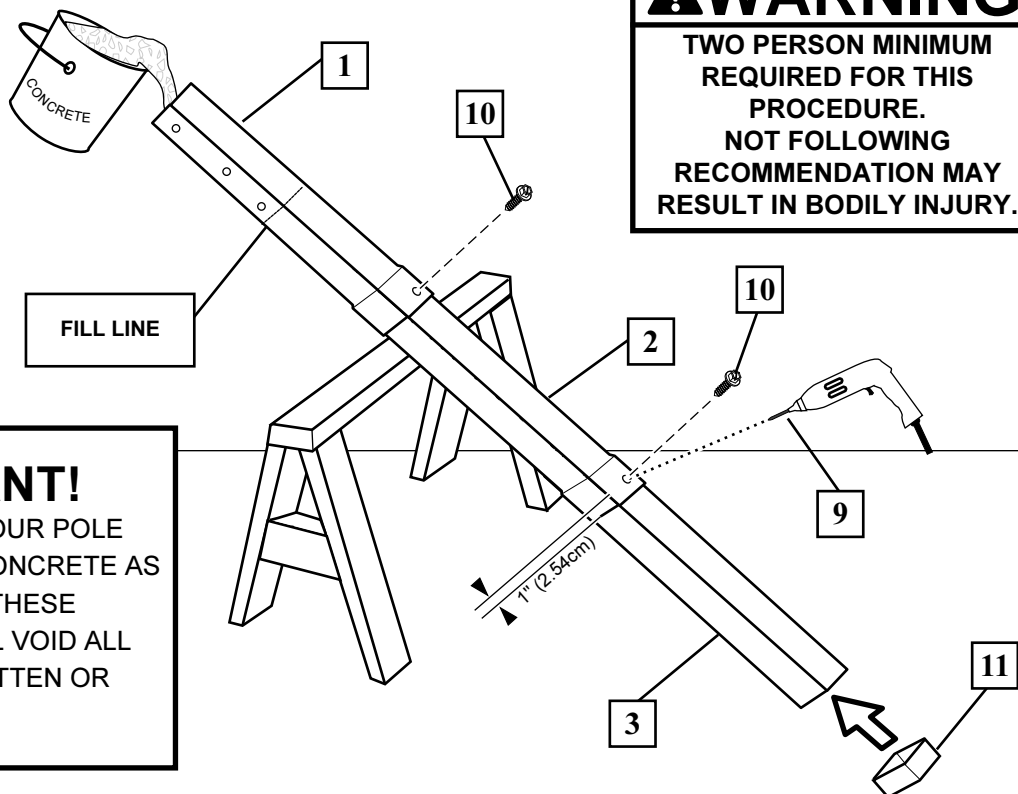
- 10.** Drill a hole in the backside of each of the two pole sections joint areas, 1" (2.54 cm) above bottom of poles and install screws (10) as shown. **NOTE:** Drill bit (9) provided.

- 11.** Insert pole cap (11) onto end of bottom pole (3). Mix concrete (approximately 100 lbs. (45.4 kg)) and fill pole 1"-2" (2.54-5.0 cm) below bottom elevator hole on top pole section (1) as shown.

WOOD SCRAP

IMPORTANT!
WAIT MINIMUM OF
24 HOURS BEFORE
GOING ON TO NEXT
STEP. CONCRETE
MUST CURE.

WARNING
TWO PERSON MINIMUM
REQUIRED FOR THIS
PROCEDURE.
NOT FOLLOWING
RECOMMENDATION MAY
RESULT IN BODILY INJURY.



IMPORTANT!
FAILURE TO FILL YOUR POLE
COMPLETELY WITH CONCRETE AS
DESCRIBED IN THESE
INSTRUCTIONS WILL VOID ALL
WARRANTIES WRITTEN OR
IMPLIED.



IMPORTANT!

ELEVATOR HOLES MUST BE PARALLEL WITH PLAYING SURFACE.

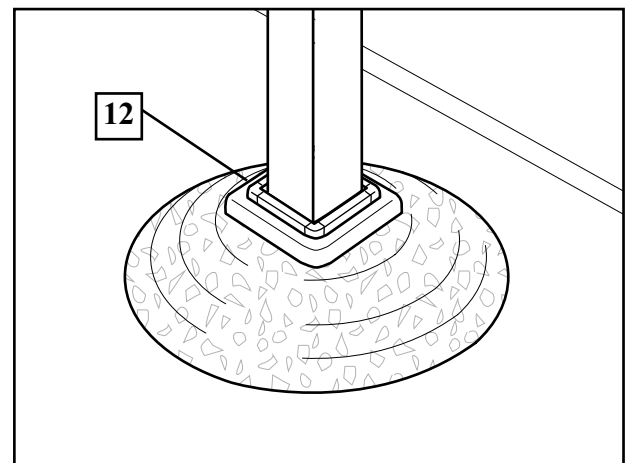
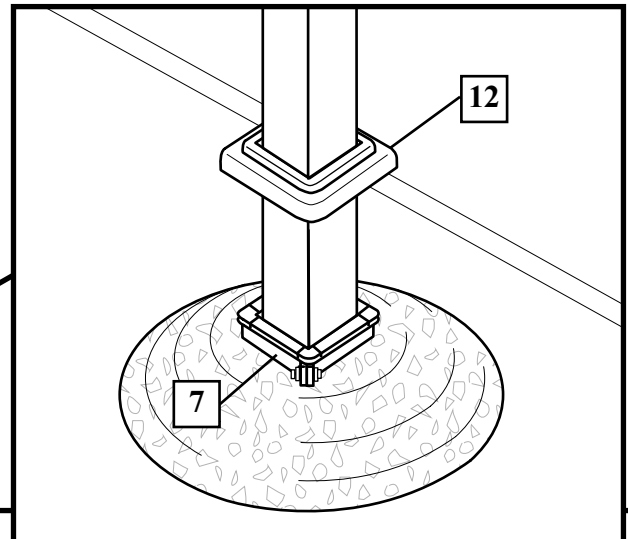
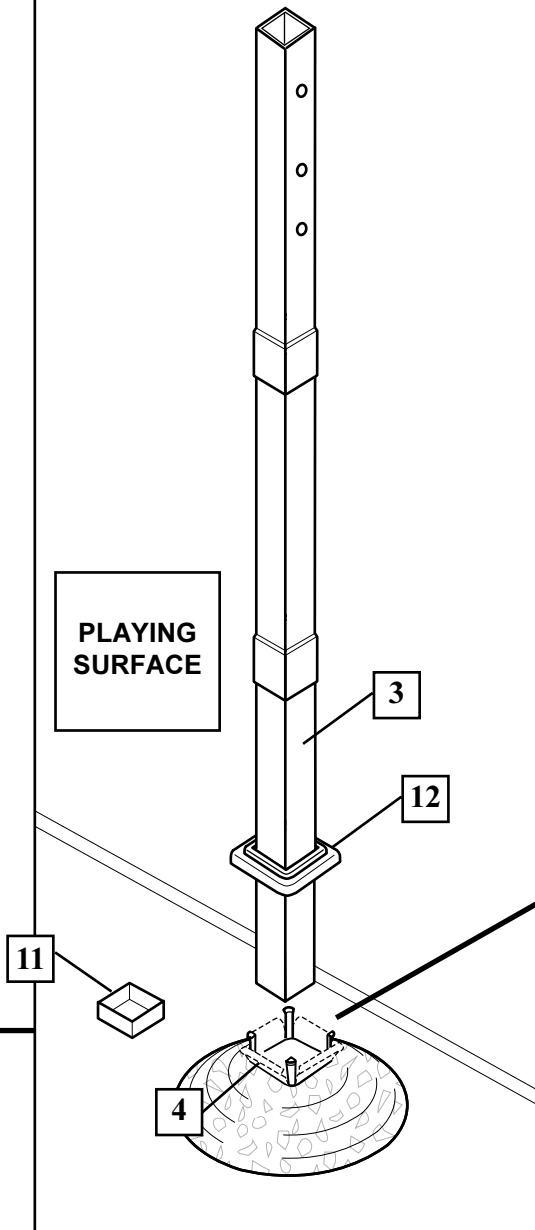
⚠ WARNING

TWO PERSON MINIMUM
REQUIRED FOR THIS
PROCEDURE.
NOT FOLLOWING
RECOMMENDATION MAY
RESULT IN BODILY INJURY.

12. Remove pole cap (11) from bottom pole section and insert clamp cover (12) onto bottom section (3). Bend back exposed top flange sections of secured ground sleeve (4) as shown. Then insert pole into ground sleeve (4).

13. Secure clamps (7) around pole section as shown. Refer to Step 4. Tighten completely.

PLAYING SURFACE

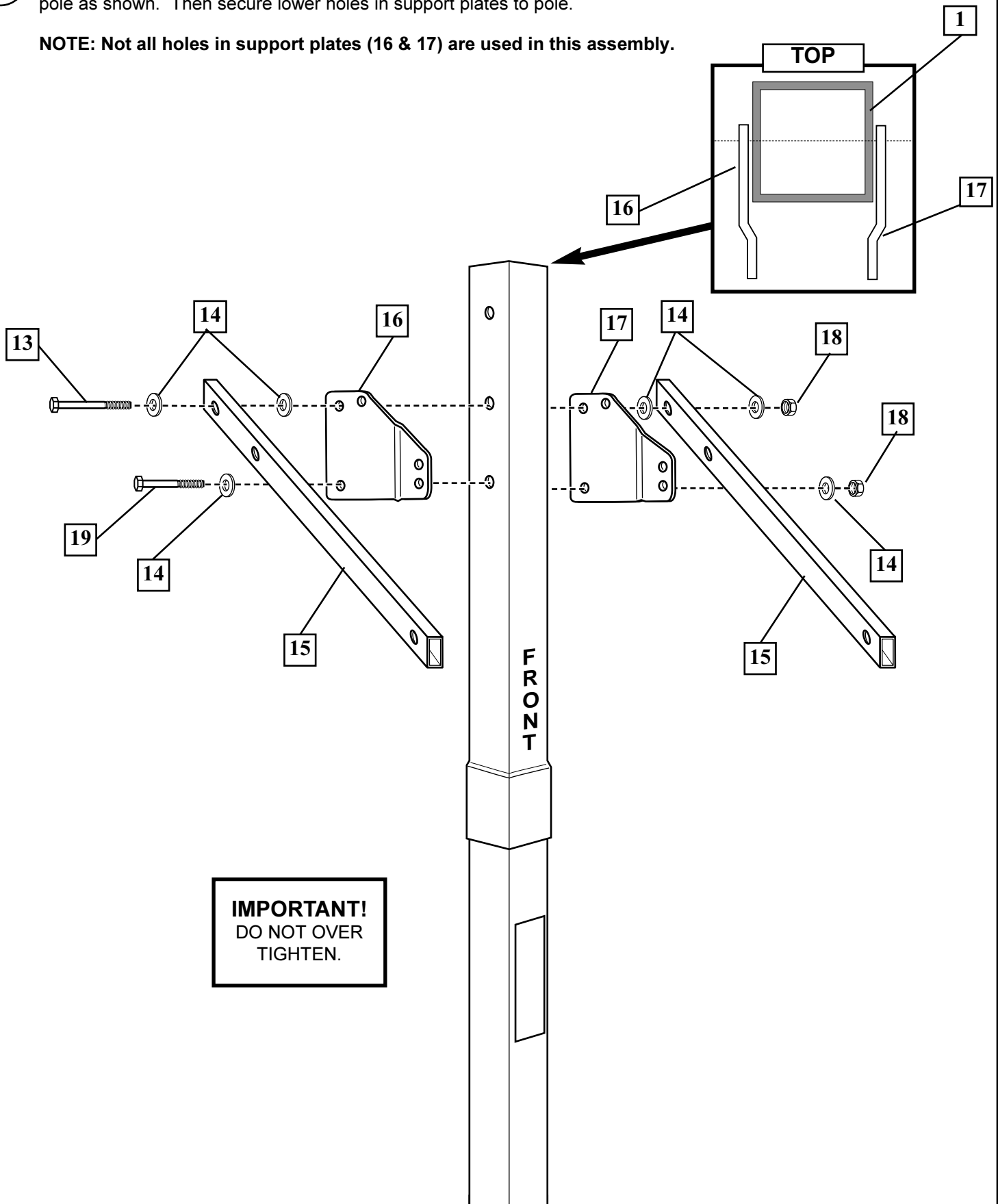


14. Lower clamp cover (12) over clamps and snap into proper position.



- 15.** Beginning with top hole in left and right screw jack support plates (16 & 17), install elevator tubes (15) to pole as shown. Then secure lower holes in support plates to pole.

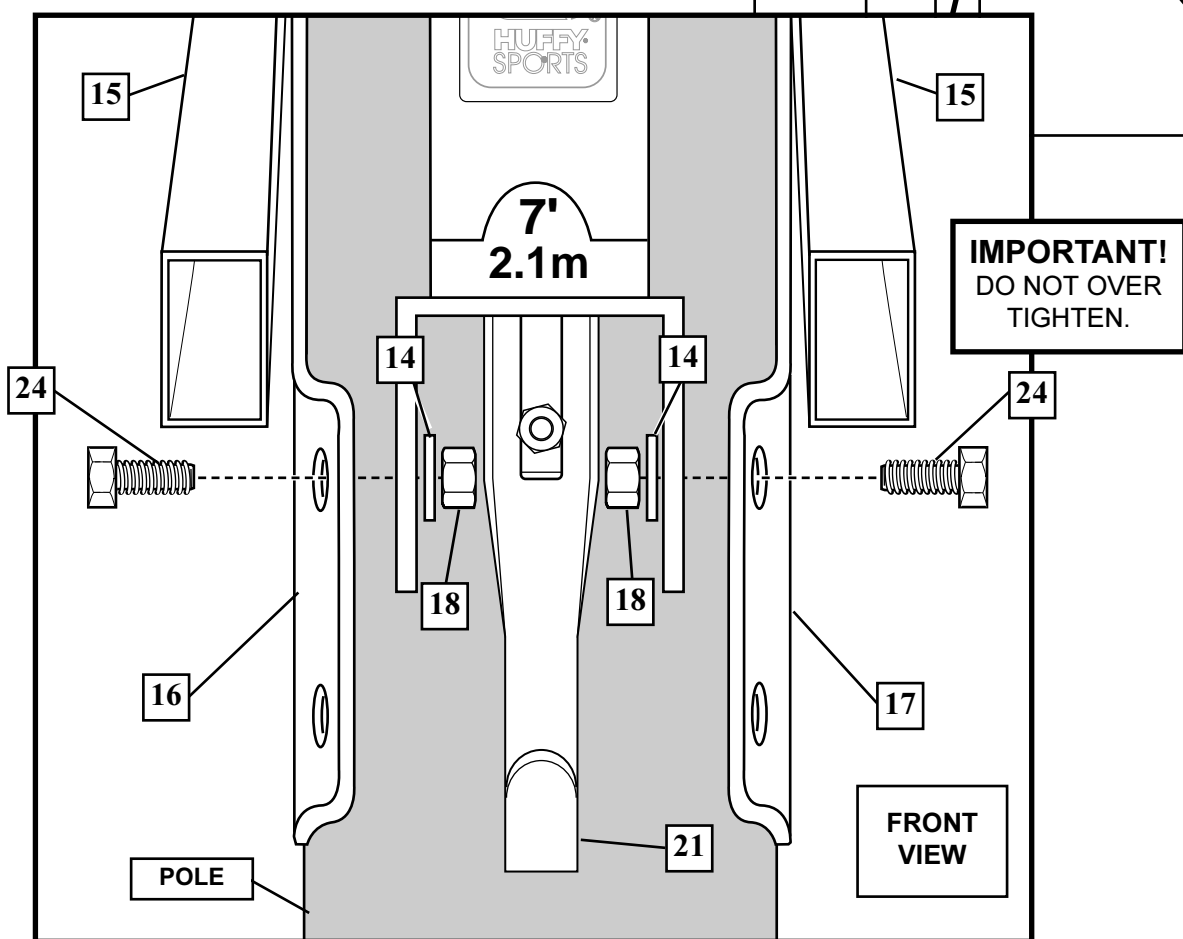
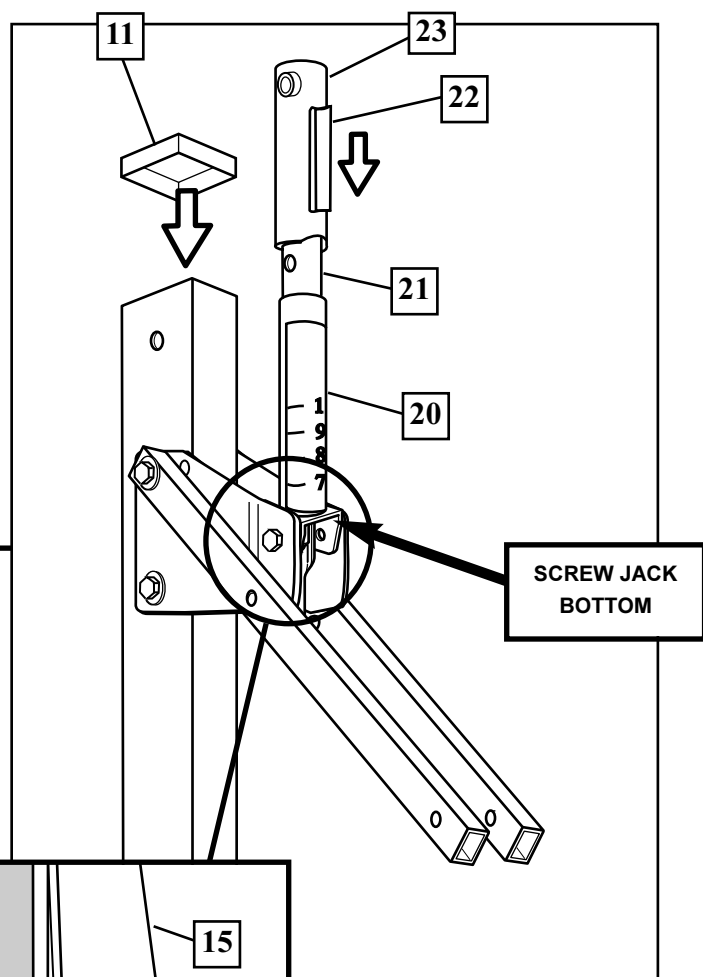
NOTE: Not all holes in support plates (16 & 17) are used in this assembly.



- 16.** Attach height decal (20) on screw jack (21). Align lower edge of decal (20) with bottom of black indicator tube.

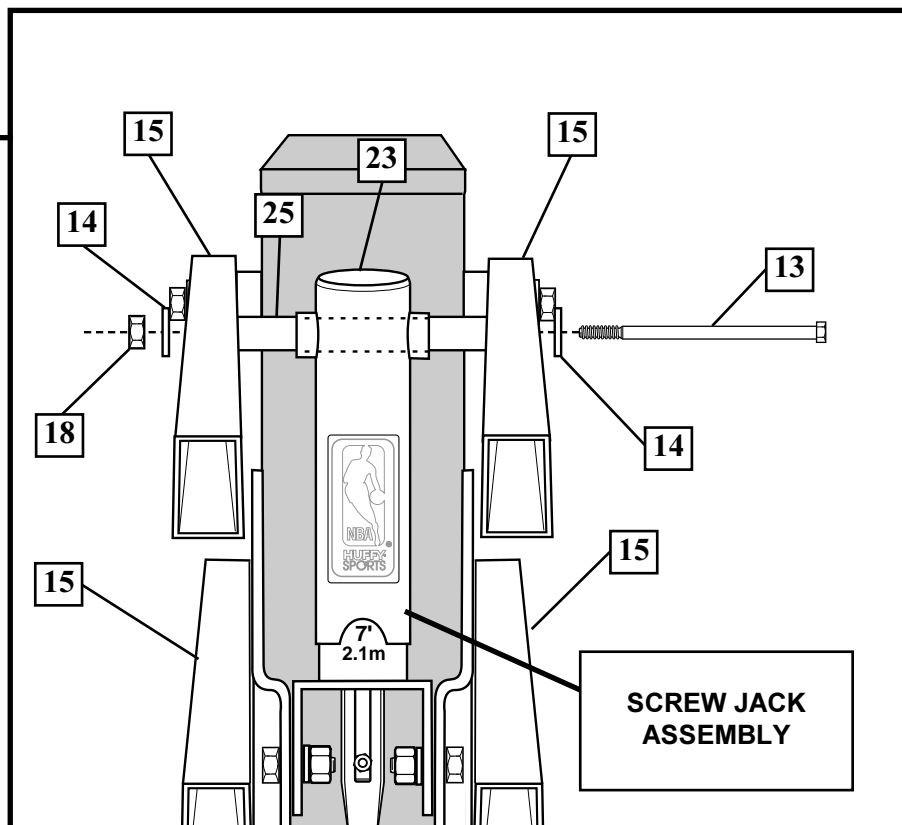
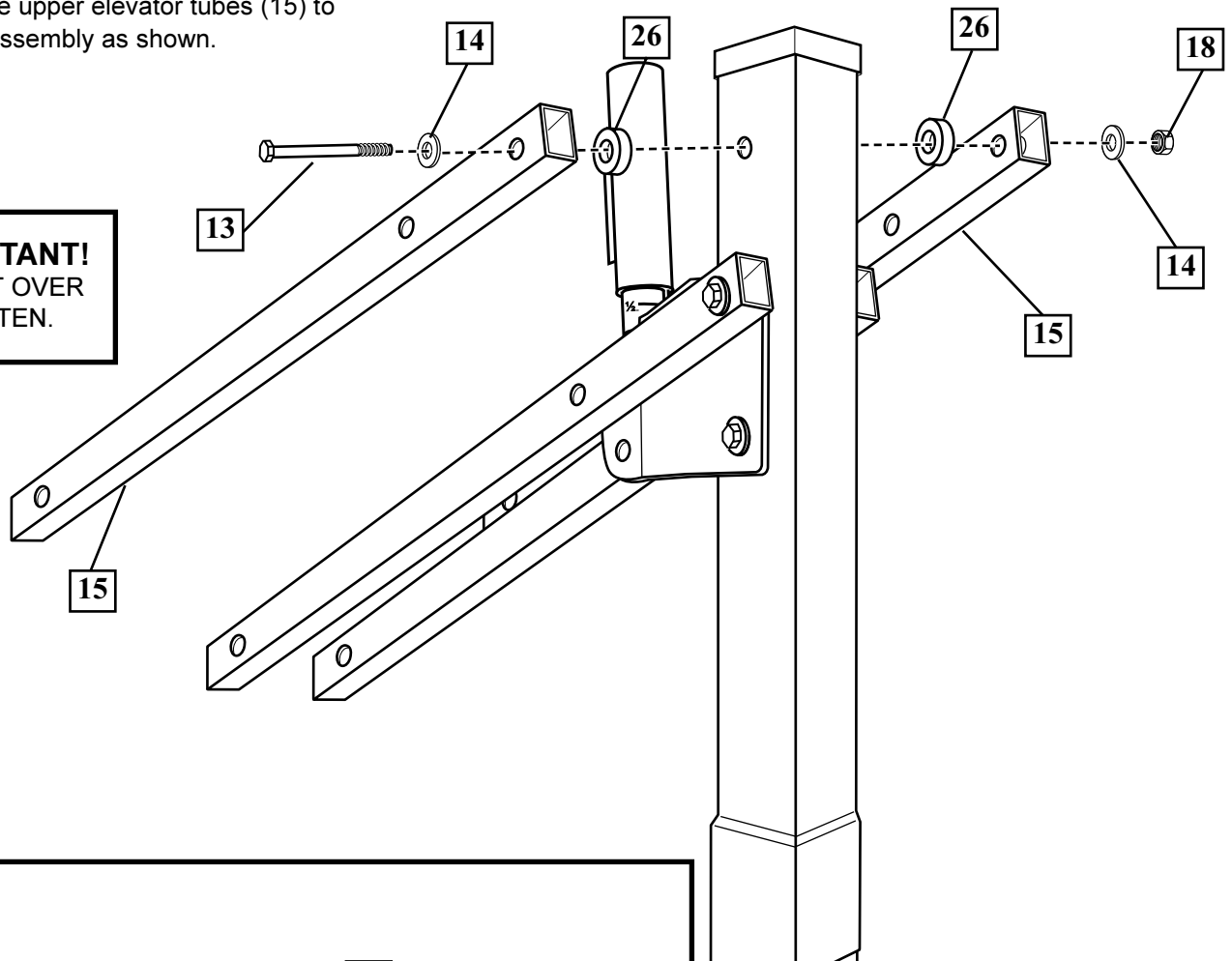
- 17.** Center screw jack (21) between support plates (16 & 17) and secure as shown below.

- 18.** Attach logo label (22) to height indicator cover (23). Place cover (23) over screw jack (21). Install pole cap (11).



- 19.** Secure upper elevator tubes (15) to pole assembly as shown.

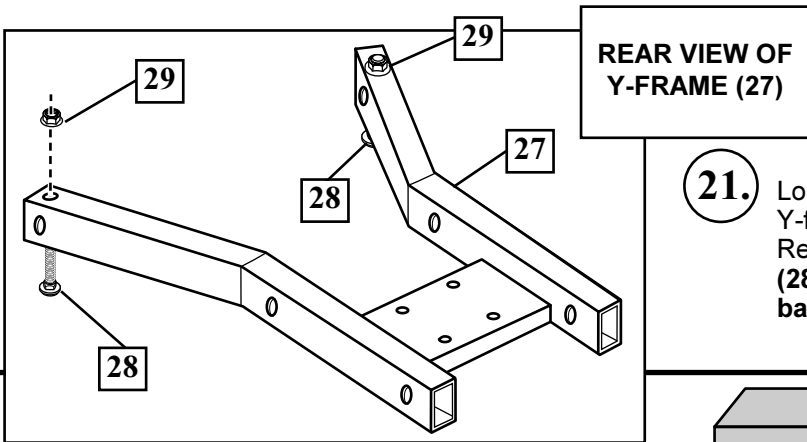
IMPORTANT!
DO NOT OVER
TIGHTEN.



- 20.** Insert spacer (25) through top holes of height indicator cover (23) and screw jack assembly as shown. Align spacer (25) and screw jack assembly between elevator tubes (15) and secure.

IMPORTANT!
WHEN SECURING SCREW
JACK (21) TO TOP
ELEVATOR TUBES (15),
USE SPACER (25)
BETWEEN ELEVATOR
TUBES AS SHOWN.



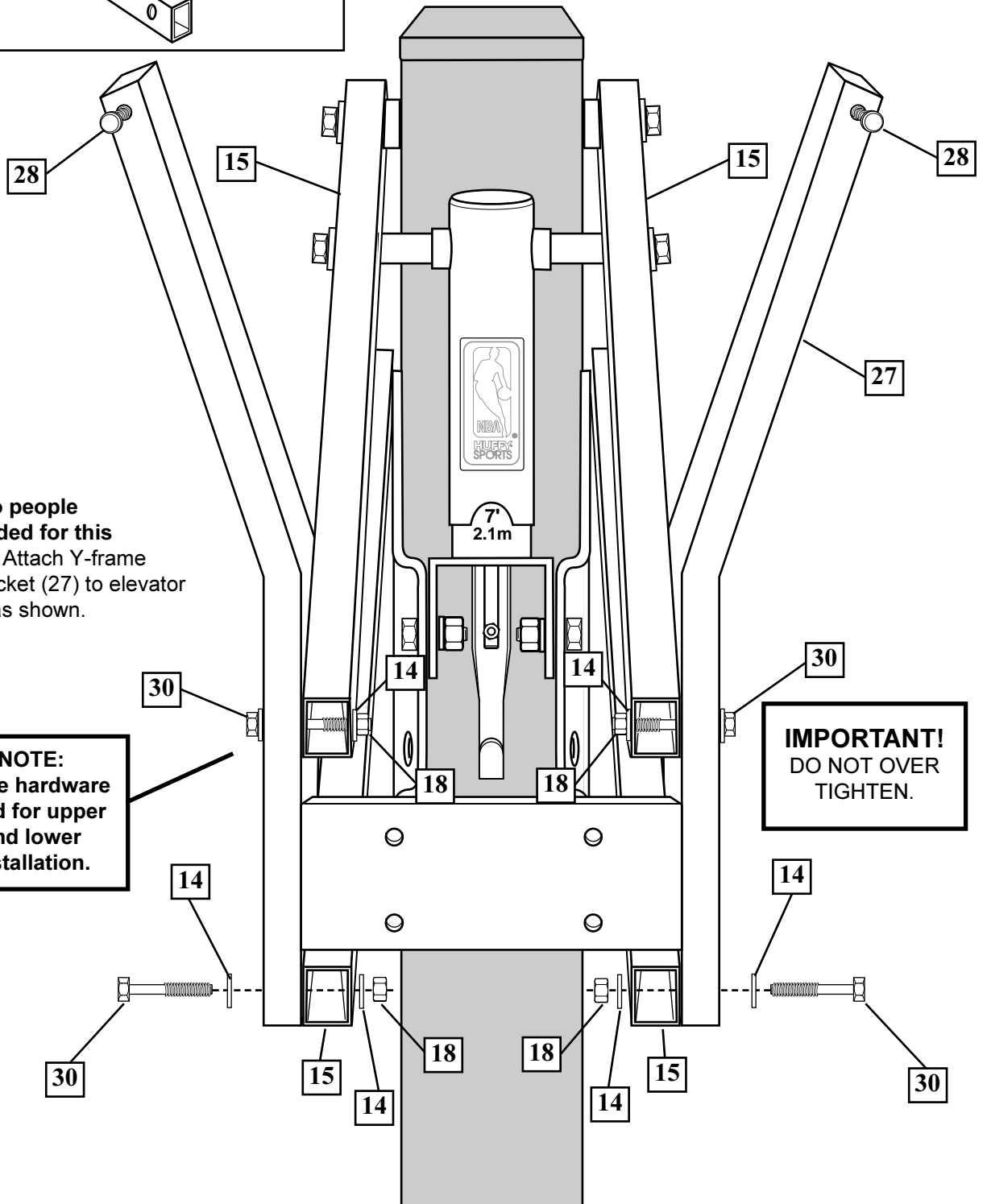


21. Loosely assemble bolt (28) and nut (29) to Y-frame support bracket (27) as shown. Repeat for opposite side. **NOTE: Bolt (28) heads face outward toward backboard.**

22. **NOTE: Two people recommended for this operation.** Attach Y-frame support bracket (27) to elevator tubes (15) as shown.

NOTE: Same hardware used for upper and lower installation.

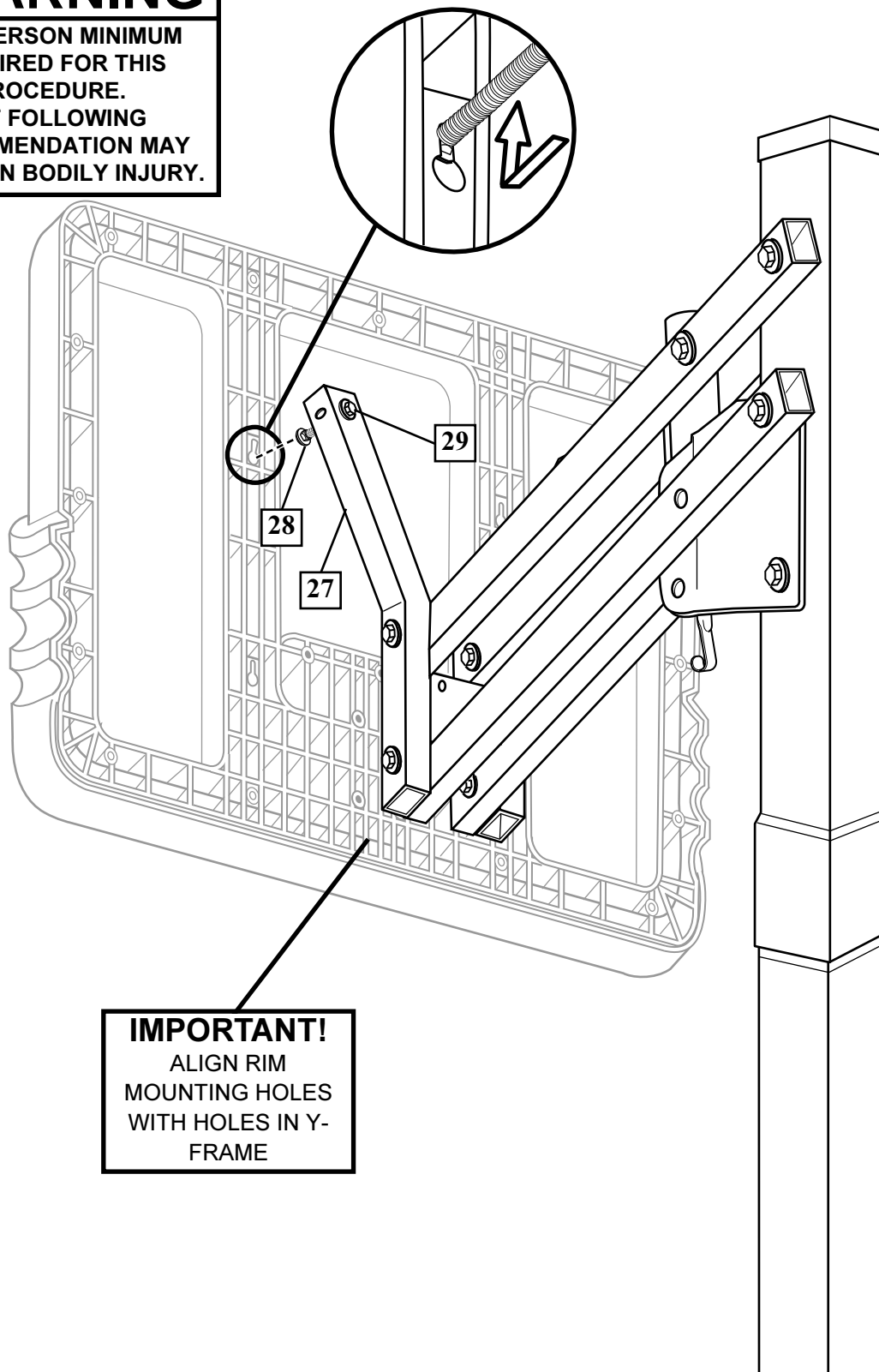
IMPORTANT! DO NOT OVER TIGHTEN.



23. Lift backboard upright and insert bolt (28) heads into key slots. Slide backboard downward to position bolt (28) into channel as shown. Align rim mounting holes on Y-frame support bracket (27) to rim holes on backboard and tighten completely.

!WARNING

**TWO PERSON MINIMUM
REQUIRED FOR THIS
PROCEDURE.
NOT FOLLOWING
RECOMMENDATION MAY
RESULT IN BODILY INJURY.**

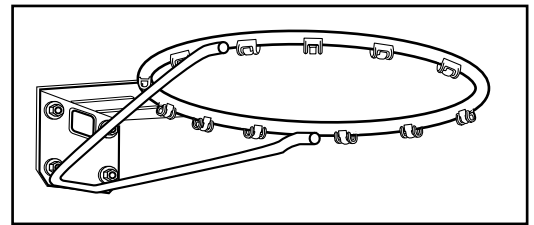


IMPORTANT!
ALIGN RIM
MOUNTING HOLES
WITH HOLES IN Y-
FRAME

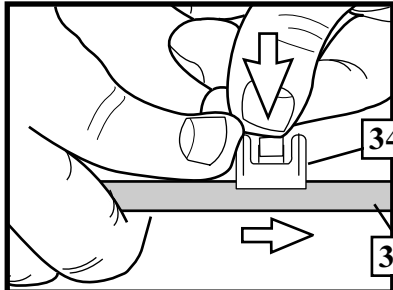


24. Install net clips (34).

The Quick Clip™ rapid release net system lets the net pull away from the rim. This reduces the risk of player injury or property damage. However, improper installation or a ball making contact at an odd angle may disengage the net clip from the goal rim. Usually, the clip is reinstalled with little or no problem. We hope that you agree this inconvenience is minor when compared to the safety of the players.
Quick Clip: US Patent No. 5,792,010/5,795,253

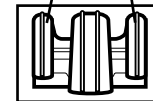


OUTSIDE VIEW



The two outer hooks on net clip must face towards inside of goal rim. Insert larger hole in net clip onto rim stud, **push down** on net clip, then slide net clip right, locking or snapping securely into position (clips must "snap" into place to insure a secure fit).
NOTE: Net clips should not slide with ease. It is very important that the net clips are in the locked position before going on to next step.

OUTER HOOKS

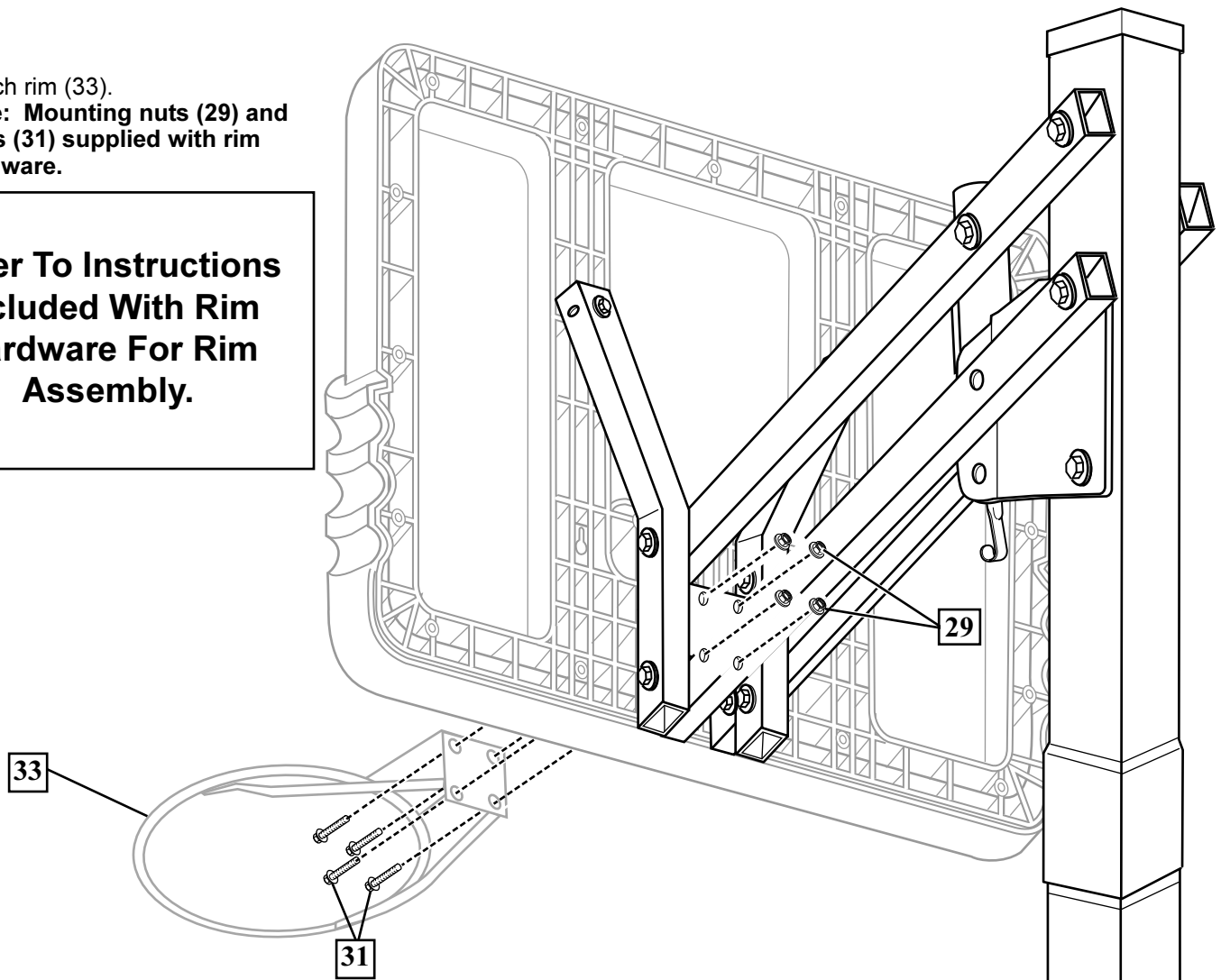


! WARNING
USE OF THIS PRODUCT WITHOUT PROPER INSTALLATION OF NET CLIPS, OR WHEN ALL NET CLIPS ARE NOT PRESENT COULD RESULT IN BODILY HARM. BE SURE TO FOLLOW DIRECTIONS CAREFULLY.

25.

Attach rim (33).
Note: Mounting nuts (29) and bolts (31) supplied with rim hardware.

Refer To Instructions Included With Rim Hardware For Rim Assembly.



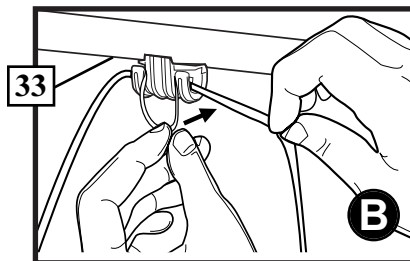
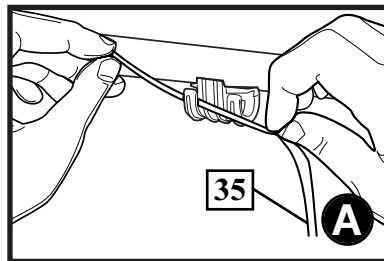
26.

Install net (35).

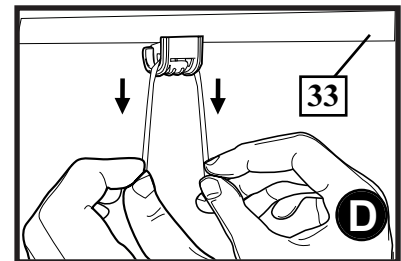
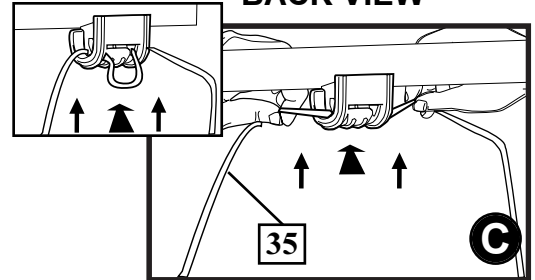
- A. Slide net into outer hook as shown.
- B. Slide net into second outer hook creating a loop as shown. Push loop to back of clip.
- C. Pull loop up and through back of clip, snapping over the middle hook.
- D. Pull net down to make sure it is held securely by all three hooks.

NOTE: If net releases during normal play, net was improperly installed. Please review instructions to install net properly.

FRONT VIEW

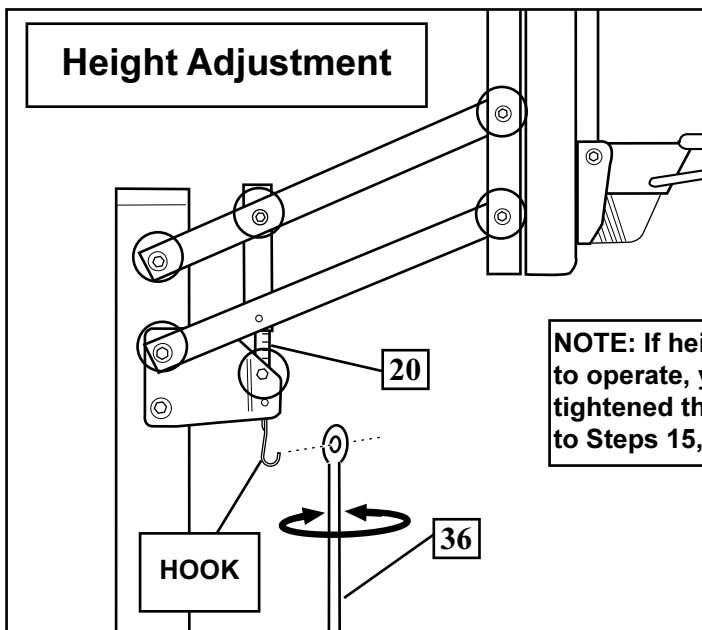


BACK VIEW



IMPORTANT!
MAKE SURE NET IS HELD BY ALL THREE HOOKS ON THE NET CLIP.

Height Adjustment



27.

Position looped end of height adjustment crank (36) onto hook as shown. Rotate crank handle to raise or lower backboard. View label (20) to determine approximate backboard height.

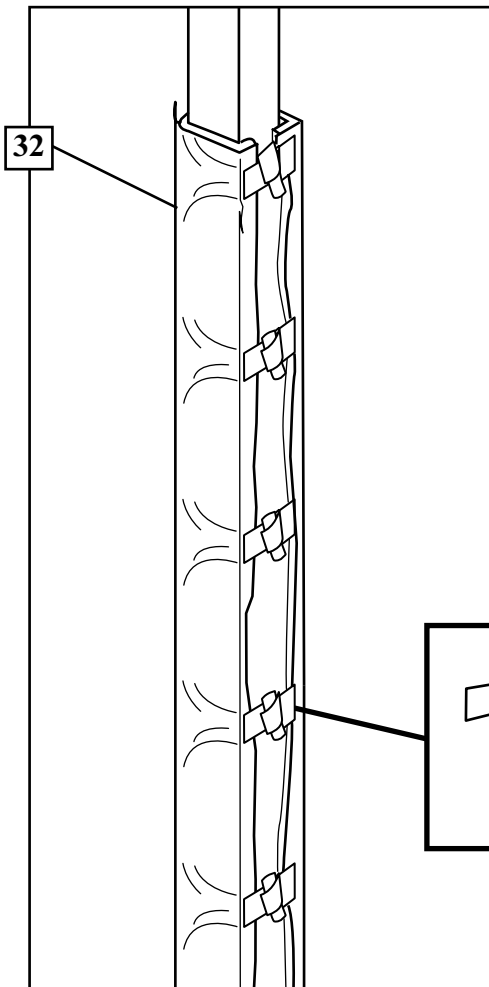
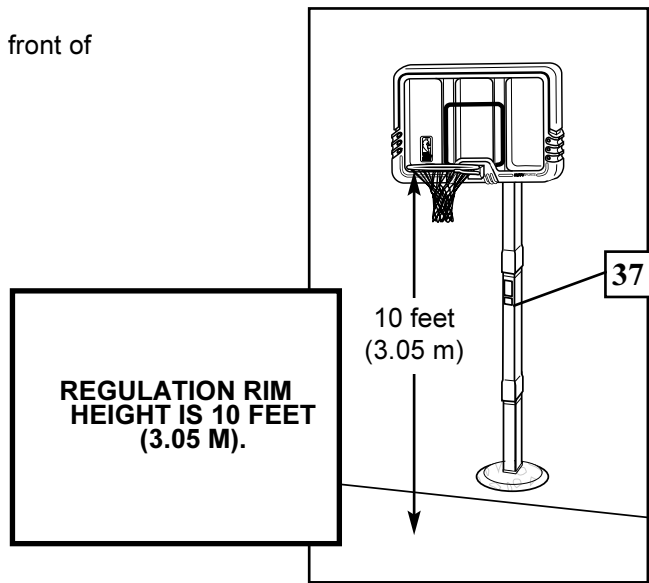
NOTE: If height adjustment is difficult to operate, you may have over tightened the areas indicated. Refer to Steps 15, 19, 20, and 22.

WARNING

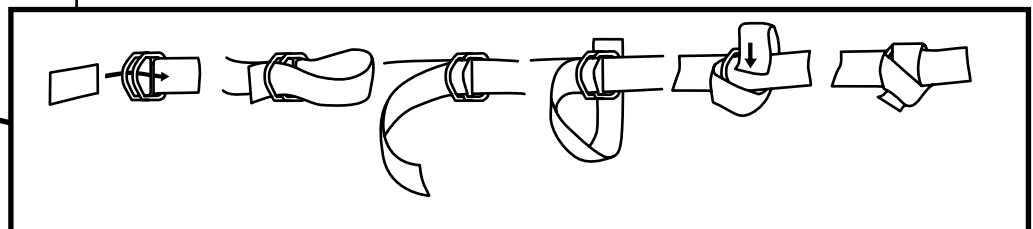
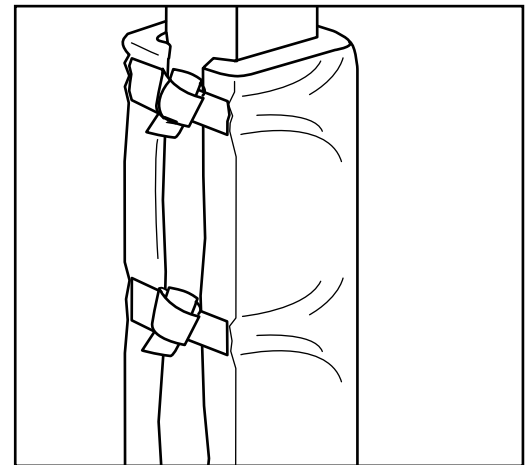
STORE CRANK OUT OF REACH OF CHILDREN. DO NOT ALLOW CHILDREN TO ADJUST HEIGHT WITHOUT ADULT SUPERVISION COULD RESULT IN SERIOUS BODILY HARM AND/OR PROPERTY DAMAGE.



- 28.** Apply height adjustment label (37) to front of pole as shown.



- 29.** Secure pole pad (32) as shown.



PARTS LIST

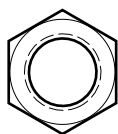
| <u>Item</u> | <u>Qty.</u> | <u>Part No.</u> | <u>Description</u> | <u>Item</u> | <u>Qty.</u> | <u>Part No.</u> | <u>Description</u> |
|-------------|-------------|-----------------|-------------------------------------|-------------|-------------|-----------------|-----------------------------------|
| 1 | 1 | 900757 | Top Pole Section | 21 | 1 | 805231 | Screw Jack |
| 2 | 1 | 900874 | Middle Pole Section, Flared End | 22 | 1 | 202795 | NBA Logo, Label |
| 3 | 1 | 908215 | Bottom Pole Section | 23 | 1 | 206234 | Cover, Height Indicator |
| 4 | 1 | 206500 | Ground Sleeve, Square | 24 | 2 | 206272 | Bolt, Hex Head, 1/2-13 x 1 |
| 5 | 2 | 201124 | Lock Nut, Hex Head, 3/8 x 16 | 25 | 1 | 206275 | Spacer, 3/4 O.D. x 4-9/16 |
| 6 | 4 | 203232 | Washer, Flat, 3/8 x 3/4 O.D. | 26 | 2 | 201651 | Spacer, Plastic, 1/4 Thick |
| 7 | 2 | 206512 | Clamp, V-shaped | 27 | 1 | 906266 | Y-Frame Support Bracket |
| 8 | 2 | 206252 | Bolt, Hex Head, 3/8-16 x 1 Long | 28 | 2 | 206263 | Bolt, Carriage, 5/16-18 x 3 Long |
| 9 | 1 | 202872 | Drill Bit, 3/16 | 29 | 6 | 203100 | Nut, Flange, 5/16 x 18 |
| 10 | 2 | 202871 | Screw, Tap, 1/4 x 3/4 | 30 | 4 | 206261 | Bolt, Hex Head, 1/2-13 x 3 Long |
| 11 | 1 | 206899 | Pole Cap, Square | 31 | 1 | 202662 | Bolt, Hex Flange, 5/16-18 x 4-1/2 |
| 12 | 1 | 206502 | Clamp Cover | 32 | 1 | 808804 | Pole Pad |
| 13 | 3 | 201640 | Bolt, Hex Head, 1/2-13 x 7-1/4 Long | 33 | 1 | | Rim |
| 14 | 16* | 203474 | Washer, 1/2 I.D. | 34 | 12* | 200121 | Clip, Net Holder, (Black) |
| 15 | 4 | 900883 | Elevator Tube | | 12* | 200120 | Clip, Net Holder, (Red) |
| 16 | 1 | 906277 | Jack Support Plate, (Left) | 35 | 1 | 204282 | Net |
| 17 | 1 | 906276 | Jack Support Plate, (Right) | 36 | 1 | 806259 | Crank, Height Adjustment |
| 18 | 10 | 201646 | Lock Nut, Hex, 1/2-13 | 37 | 1 | 201248 | Label, Height Adjustment |
| 19 | 1 | 206262 | Bolt, Hex Head, 1/2-13 x 5 Long | | | | |
| 20 | 1 | 211236 | Decal, Height Indicator | | | | |

* YOU MAY HAVE EXTRA PARTS WITH THIS MODEL.

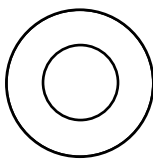
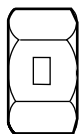
HARDWARE IDENTIFIER



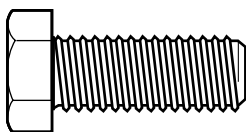
Item #9 (1)



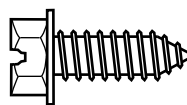
Item #5 (2)



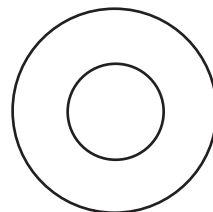
Item #6 (4)



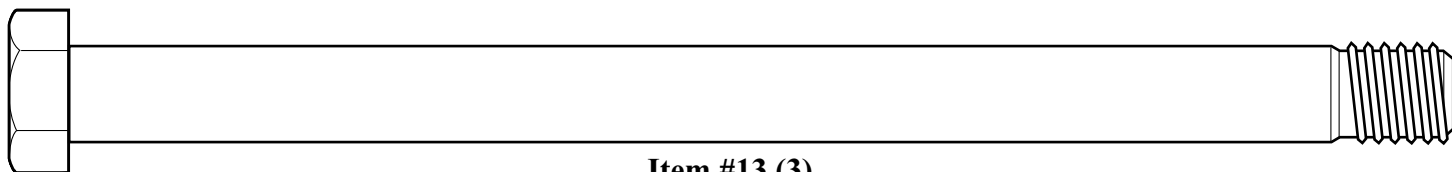
Item #8 (2)



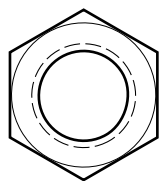
Item #10 (2)



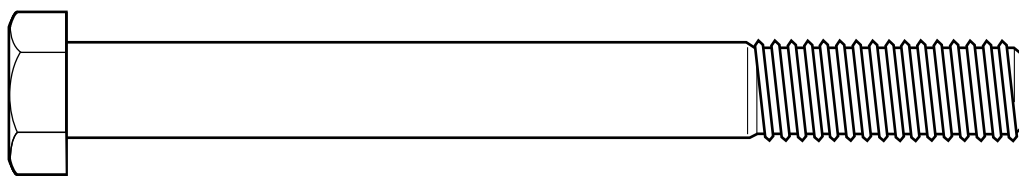
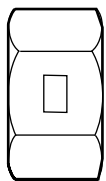
Item #14 (16*)



Item #13 (3)



Item #18 (10)

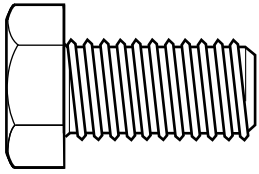


Item #19 (1)

HARDWARE IDENTIFIER (CONTINUED)



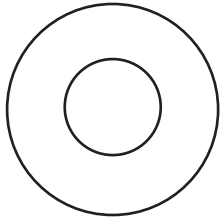
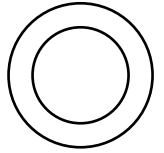
HARDWARE IDENTIFIER (CONTINUED)



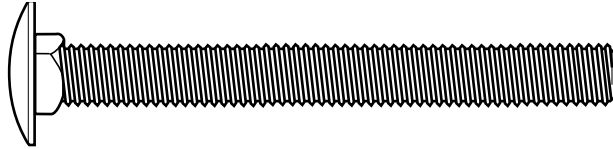
Item #24 (2)



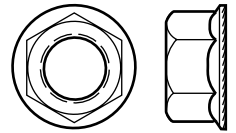
Item #25 (1)



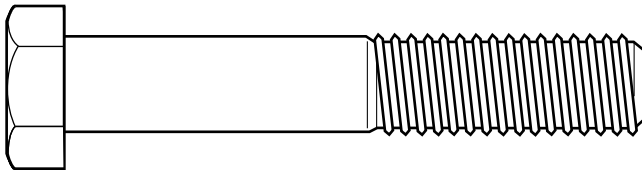
Item #26 (2)



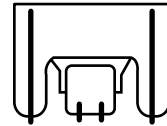
Item #28 (2)



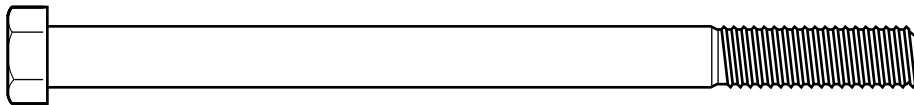
Item #29 (6)



Item #30 (4)



Item #34 (12*)



Item #31 (4)

* YOU MAY HAVE EXTRA PARTS WITH THIS MODEL.



Free Manuals Download Website

<http://myh66.com>

<http://usermanuals.us>

<http://www.somanuals.com>

<http://www.4manuals.cc>

<http://www.manual-lib.com>

<http://www.404manual.com>

<http://www.luxmanual.com>

<http://aubethermostatmanual.com>

Golf course search by state

<http://golfingnear.com>

Email search by domain

<http://emailbydomain.com>

Auto manuals search

<http://auto.somanuals.com>

TV manuals search

<http://tv.somanuals.com>