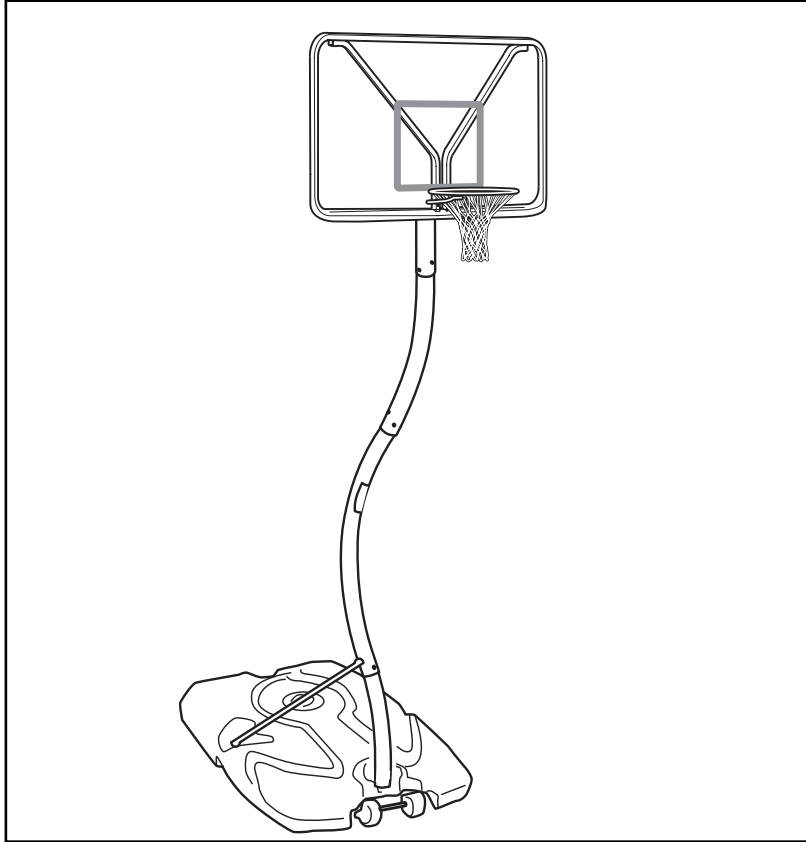


# HUFFY<sup>®</sup>SPORTS

## Portable System Owners Manual

Customer Service Center

• N53 W24700 South Corporate Circle • Sussex, WI 53089 • U.S.A.



### **! WARNING**

**Read and understand operator's manual before using this unit.**

**Failure to follow operating instructions could result in injury or damage to property.**

#### **REQUIRED TOOLS AND MATERIALS:**

- Two People
- Tape Measure
- Wrenches: (Two of Each) 7/16", 1/2", 9/16", 3/4" or Large and Small Adjustable Wrenches
- Sawhorse or Support Table
- Garden Hose or Sand (300 lb.) (136 kg)
- Hammer
- Tape
- Phillips Screwdriver
- 1/2" & 9/16" Extended Deep Socket w/ Extension Recommended

Toll-Free Customer Service Number for U.S: **1-800-558-5234**,

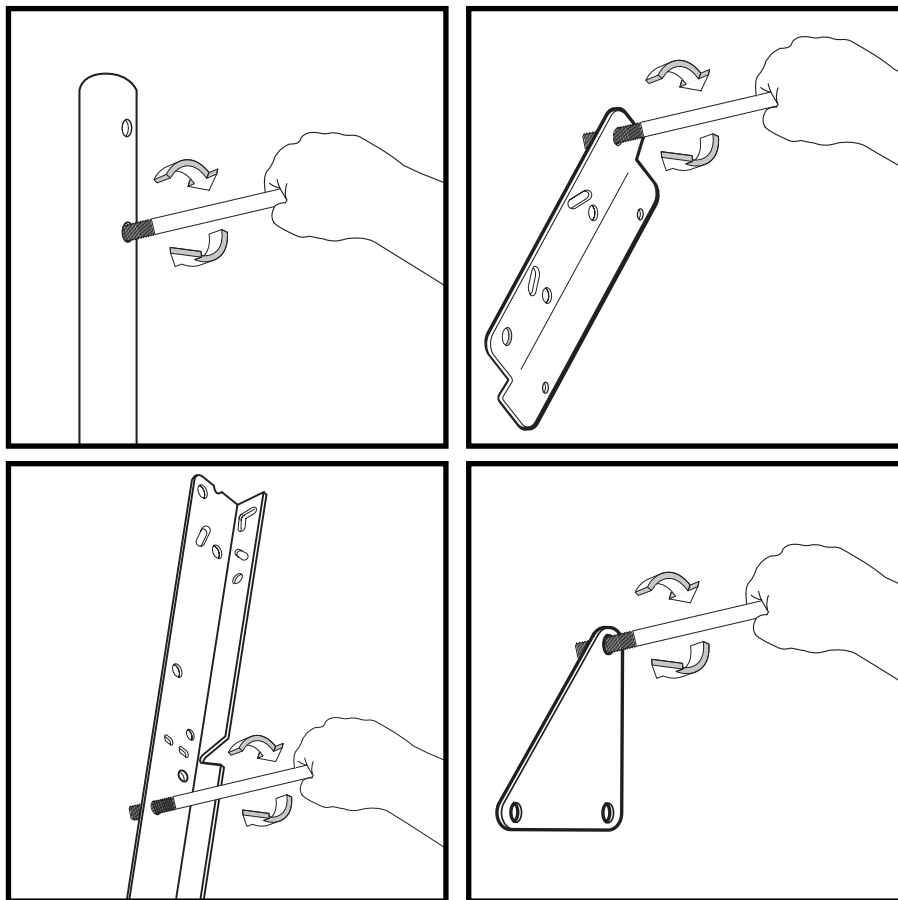
For Canada: **1-800-284-8339**,

For Europe: **00 800 555 85234** (Sweden: **009 555 85234**),

For Australia: **1-800-333 061**

Internet Address: <http://www.huffysports.com>

# BEFORE YOU START!



**To ensure optimal playability of backboard system, a close tolerance fit between the elevator components and hardware is required. Test-fit large bolts into large holes of elevator tubes, backboard brackets, and triangle plates. Carefully rock them in a circular motion to ream out any excess paint from holes if necessary.**

## **AVANT DE COMMENCER !**

Pour garantir l'utilisation optimale du panneau, les composants du système élévateur et la visserie doivent être bien ajustés (serrés). À titre d'essai, insérez les gros boulons dans les gros trous des tubes du système élévateur, des supports du panneau et des plaques triangulaires. Basculez-les avec précaution en imprimant un mouvement circulaire pour éliminer l'excédent de peinture, si nécessaire.

## **¡ANTES DE COMENZAR!**

Para asegurar el óptimo rendimiento del sistema del respaldo en el juego, se requiere un ajuste de tolerancia estrecha entre los componentes del elevador y el herraje. Pruebe el ajuste de los pernos grandes en los orificios grandes de los tubos elevadores, soportes del respaldo y placas triangulares. Cuidadosamente muévalos en círculos para eliminar cualquier exceso de pintura, si es necesario.

## **VORBEREITENDE MASSNAHMEN**

Um sicherzustellen, dass das Korbwandssystem optimal für den Spielbetrieb geeignet ist, müssen die Komponenten der Verlängerungsvorrichtung und die verschiedenen Befestigungsteile fest miteinander verschraubt werden. Große Schrauben zur Probe in die großen Löcher der Verlängerungsrohre, Korbwandklammern und Dreiecksplatte stecken und diese vorsichtig in einer Kreisbewegung hin- und herbewegen, um eventuelle Farbrückstände aus den Bohrungen zu entfernen.

# **WARNING**

**FAILURE TO FOLLOW THESE WARNINGS MAY RESULT  
IN SERIOUS INJURY AND/OR PROPERTY DAMAGE.**

*Owner must ensure that all players know and follow  
these rules for safe operation of the system.*

- **DO NOT HANG** on the rim or any part of the system including backboard, support braces or net.
- During play, especially when performing dunk type activities, keep player's face away from the backboard, rim and net. Serious injury could occur if teeth/face come in contact with backboard, rim or net.
- Do not slide, climb, shake or play on base and/or pole.
- After assembly is complete, fill system completely with water or sand and stake to the ground. Never leave system in an upright position without filling base with weight, as system may tip over causing injuries.
- When adjusting height or moving system, keep hands and fingers away from moving parts.
- Do not allow children to move or adjust system.
- During play, do not wear jewelry (rings, watches, necklaces, etc.). Objects may entangle in net.
- Surface beneath the base must be smooth and free of gravel or other sharp objects. Punctures cause leakage and could cause system to tip over.
- Keep organic material away from pole base. Grass, litter, etc. could cause corrosion and/or deterioration.
- Check pole system for signs of corrosion (rust, pitting, chipping) and repaint with exterior enamel paint. If rust has penetrated through the steel anywhere, replace pole immediately.
- Check system before each use for proper ballast, loose hardware, excessive wear and signs corrosion and repair before use.
- Check system before each use for instability.
- Do not use system during windy and/or severe weather conditions; system may tip over. Place system in the storage position and/or in an area protected from the wind and free from personal property and/or overhead wires.
- Never play on damaged equipment.
- See instruction manual for proper installation and maintenance.
- When moving system, use caution to keep mechanism from shifting.
- Keep pole top covered with cap at all times.
- Do not allow water in tank to freeze. During sub-freezing weather add non-toxic antifreeze, sand or empty tank completely and store. (Do not use salt.)
- Use extreme caution if placing system on sloped surface. System may tip over more easily.

**HUFFY<sup>®</sup>SPORTS**

In the U.S.: 1-800-558-5234 and Canada: 1-800-284-8339

201241 2/99



# SAFETY INSTRUCTIONS



FAILURE TO FOLLOW THESE SAFETY INSTRUCTIONS MAY RESULT IN SERIOUS INJURY OR PROPERTY DAMAGE AND WILL VOID WARRANTY.

*Owner must ensure that all players know and follow these rules for safe operation of the system.*

To ensure safety, do not attempt to assemble this system without following the instructions carefully. Check entire box and inside all packing material for parts and/or additional instruction material. Before beginning assembly, read the instructions and identify parts using the hardware identifier and parts list in this document. Proper and complete assembly, use, and supervision are essential for proper operation and to reduce the risk of accident or injury. A high probability of serious injury exists if this system is not installed, maintained, and operated properly.

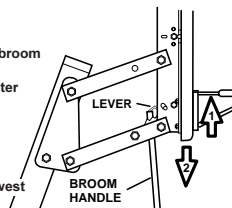
- If using a ladder during assembly, use extreme caution.
- Two (2) people are recommended for this operation.
- Check base regularly for leakage. Slow leaks could cause system to tip over unexpectedly.
- Seat the pole sections properly (if applicable). Failure to do so could allow the pole sections to separate during play and/or transport of the system.
- Climate, corrosion, or misuse could result in system failure.
- Minimum operational height is 7'6" (2.3 m) to the bottom of backboard.
- This equipment is intended for home recreational use only and NOT excessive competitive play.
- Read and understand the warning label affixed to pole. Label is shown on page 3.
- The life of your basketball pole depends on many conditions. The climate, placement of the pole, the location of the pole, exposure to corrosives such as pesticides, herbicides or salts are all important factors.
- If technical assistance is required contact Huffy Sports.
- Adult supervision is recommended when adjusting height.

*Most injuries are caused by misuse and/or not following instructions.  
Use caution when using this system.*

## HEIGHT ADJUSTMENT

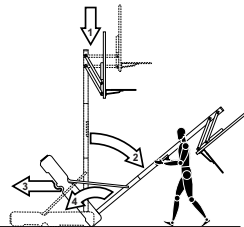
TO ADJUST BACKBOARD:

1. TO RAISE BACKBOARD:  
Slowly push up on the rim with broom handle or wooden dowel, 3/4" - 7/8" (19mm - 22mm) diameter as shown to engage locking mechanism at desired height.
2. TO LOWER BACKBOARD:  
Push lever up to unlock and carefully lower backboard to lowest position.



46

## MOVING SYSTEM



1. Adjust basketball backboard height to lowest position.
2. While holding pole, rotate basketball system forward until wheels engage with ground.
3. Move basketball system to desired location.
4. Carefully rotate basketball system upright.
5. Reattach ground restraint and check system for stability.

201257 3/99



**Questions or Missing Parts?**

**DON'T go back to store!**

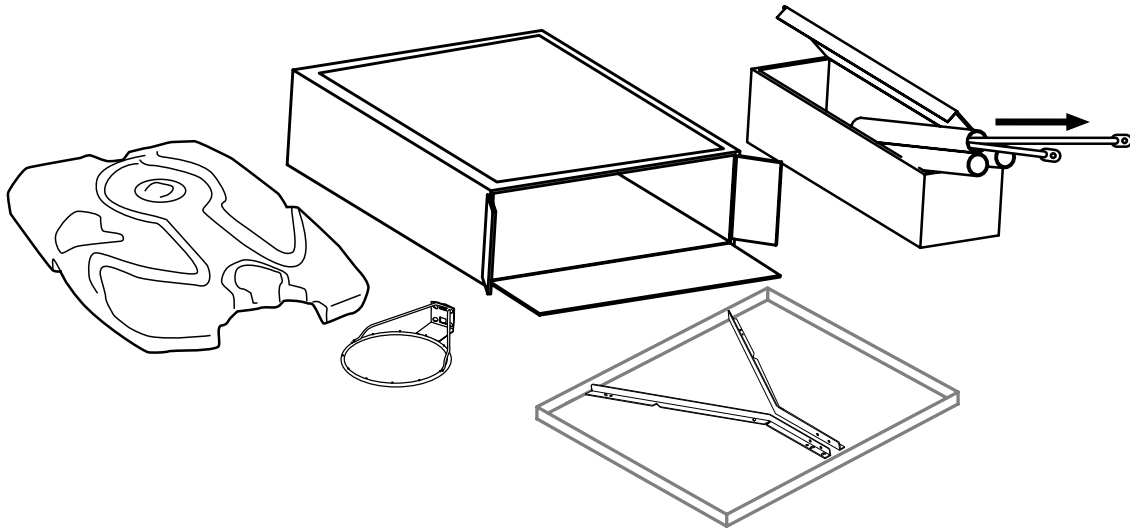
Call TOLL-FREE Customer Service  
Number listed on the front page!

### **NOTICE TO ASSEMBLERS**

**ALL Huffy Sports Basketball Systems, including those used for DISPLAYS, MUST be assembled and ballasted with sand or water according to the instructions. Failure to follow instructions could result in SERIOUS INJURY. It is NOT acceptable to devise a makeshift weight system.**

### **IMPORTANT!**

**Remove all contents from boxes.  
Be sure to check inside pole sections;  
hardware and additional parts are packed inside.**

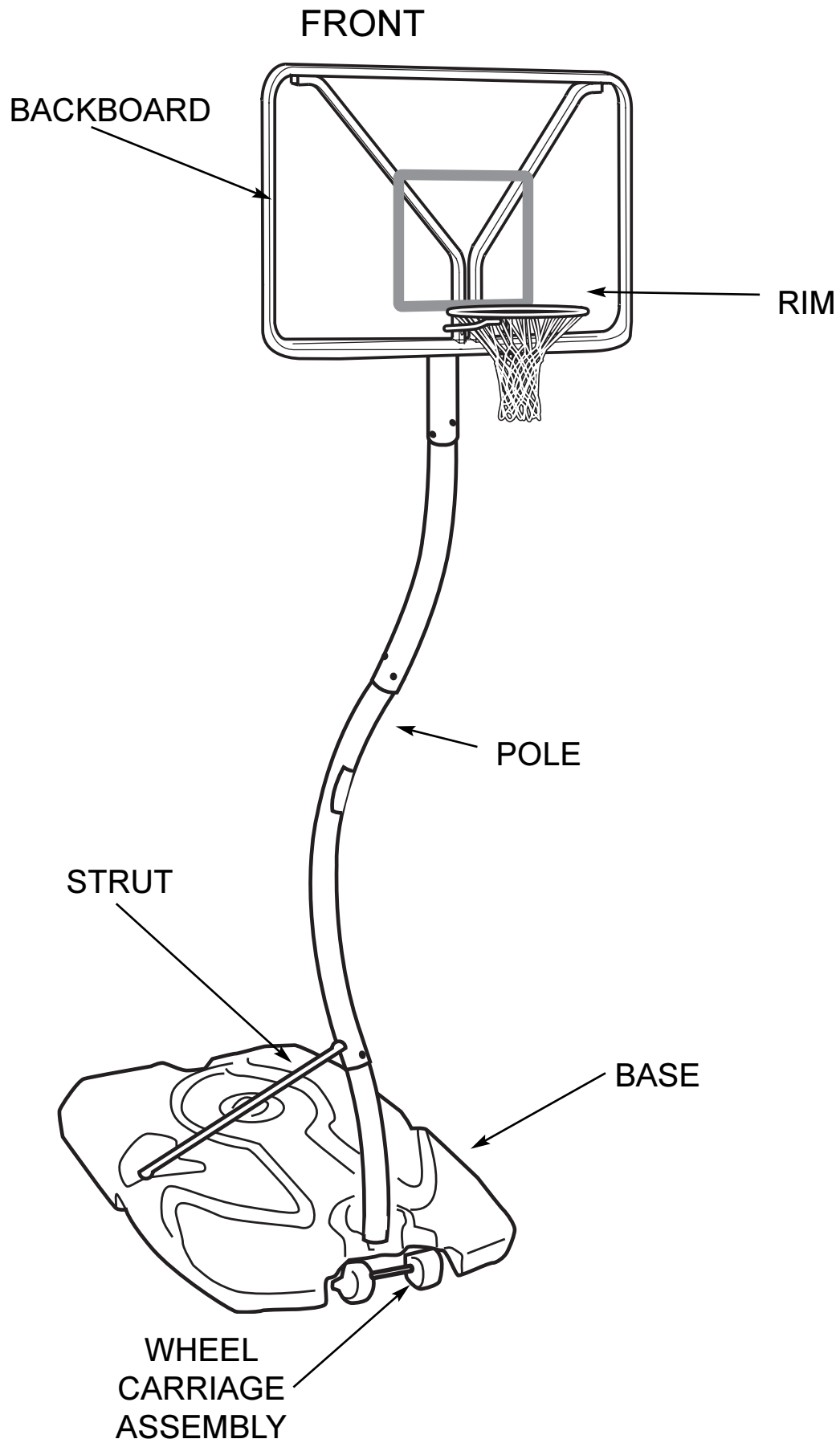


#### **WARRANTY CARD:**

Please remember to complete your product registration form either on-line at:  
**[www.huffysports.com](http://www.huffysports.com)** or mail-in the enclosed postcard.

For more information on assembly, placement, proper use, and maintenance, visit The American Basketball Council website at <http://www.smarthoops.com>.

*Get to know the basic parts of your basketball system.....*



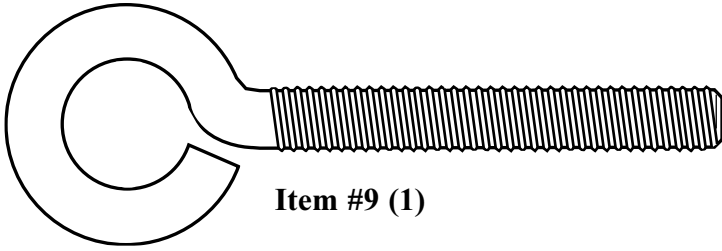
## **PARTS LIST - (See Hardware Identifier)**

<b><u>Item</u></b>	<b><u>Qty.</u></b>	<b><u>Part No.</u></b>	<b><u>Description</u></b>
1	1	206657	Tank, (Black)
2	1	200628	Wheel Axle
3	2	226401	Wheel, 4" (Black)
4	1	918070	Top Pole Section (Straight Piece)
5	1	918071	Upper S-Pole Section
6	1	918072	Middle S-Pole Section
7	1	918073	Bottom S-Pole Section
8	1	202820	Rod, 3/8 O.D. x 4-3/4 Long
9	1	202822	Eyebolt, 3/8-16 x 2-1/2 Long
10	1	200627	Wheel Bracket
11	4	201651	Spacer .500 I.D. x .25 Long
12	3	203063	Nylon Insert Lock Nut, 3/8-16
13	1	203124	Stake, Tie Down
14	10	202201	Washer, Curved, 1/2" I.D.
15	2	918074	Tank Strut
16	6	202199	Nut, Sleeve, Allen Head, 5/16-18
17	6	202197	Bolt, Allen Head, 5/16-18 x 3" Long
18	6	205528	Bolt, Hex Flange, 5/16-18 x 1 Long
19	6*	203218	Washer, Flat, 3/8 I.D.
20	8*	203100	Nut, Hex Flange, 5/16-18
21	2	202294	Allen Wrench 1/4"
22	2	200874	Spacer, .402 I.D. x .5 O.D. x 1.5" Long
23	3	203220	Nylon Insert Lock Nut, 5/16-18
24	3	206360	Bolt, Hex 3/8-16 x 2.65 Long
25	2	900964	Backboard Bracket
26	1	201129	Spacer .402 I.D. x .500 O.D. x 1.75 Large
27	1	201160	Pawl Lever
28	4	908002	Elevator Tubes
29	4	201642	Spacer .530 I.D. x .5 O.D. x .63 Long
30	5	206304	Bolt 1/2-13 x 6-5/16 Long
31	1	201159	Ratchet
32	5	206340	Nut 1/2-13
33	1	206305	Clevis Pin 1/4 x 2-9/32 Large
34	2	206303	Washer 1/4 Flat
35	1	201125	Return Ratchet Spring
36	1	203796	T-Bolt, 3/8-16 x 5" Large
37	1	900033	Bracket Slam Jam
38	1	206219	Cap, Pole Top 3"
39	1		Rim
40	1	200318	Bracket, Reinforcement, Slam Jam
41	1	203472	Spring, Black, Slam Jam
42	1	203470	Washer Flat, Slam Jam
43	1	203795	Nut, Special, Slam Jam
44	12	201219	Clip, Net Holder
45	1		Net
46	1	201257	Label, Height Adjustment and Moving
47	2	203617	Plug Cap
48	1	201568	Anchor, T-Strap

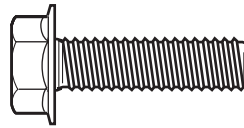
**NOTE:** Hardware kit is designed for more than one style of basketball system.  
Not all hardware will be used.

\* YOU MAY HAVE EXTRA PARTS WITH THIS MODEL.

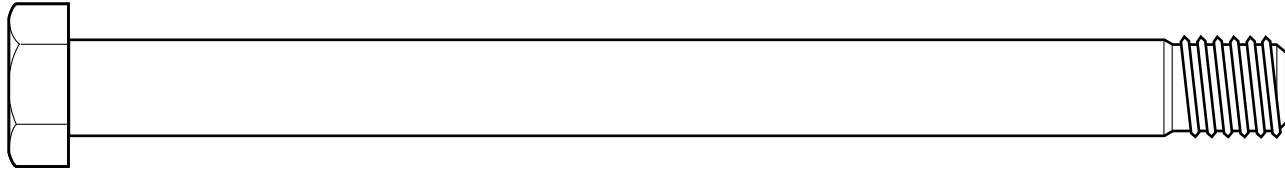
# HARDWARE IDENTIFIER (BOLTS)



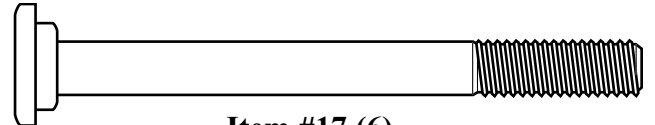
Item #9 (1)



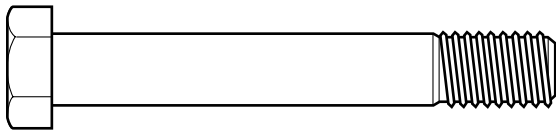
Item #18 (6)



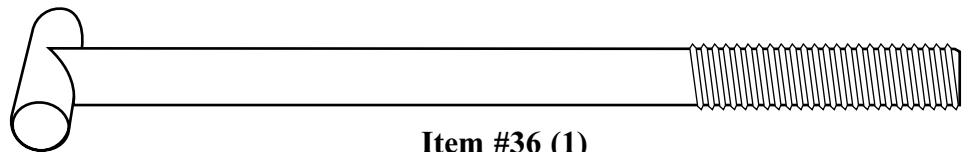
Item #30 (5)



Item #17 (6)

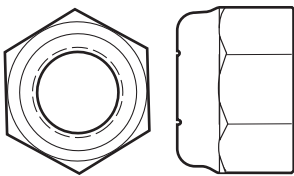


Item #24 (3)

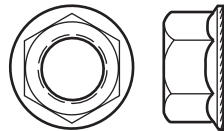


Item #36 (1)

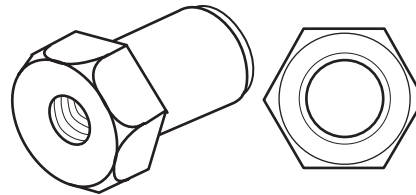
# HARDWARE IDENTIFIER (NUTS & SPRINGS)



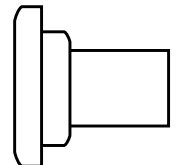
Item #32 (5)



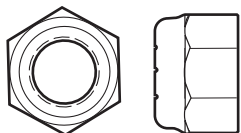
Item #20 (8)\*



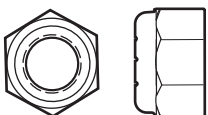
Item #43 (1)



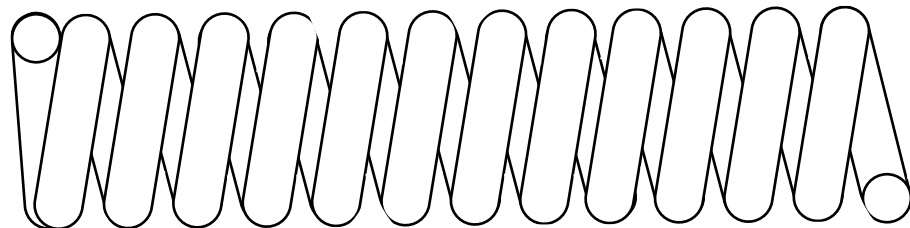
Item #16 (6)



Item #12 (3)



Item #23 (3)

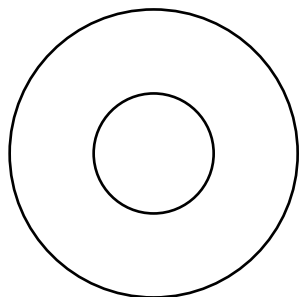


Item #41 (1)

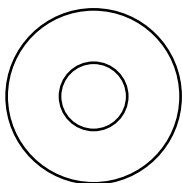
\* You may have extra parts with this model.



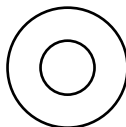
## HARDWARE IDENTIFIER (WASHERS)



Item #42 (1)



Item #19 (6)\*

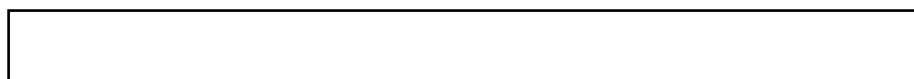


Item #34 (2)

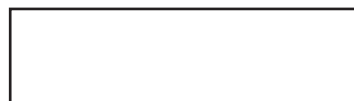


Item #14 (10)

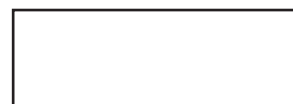
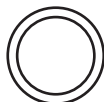
## HARDWARE IDENTIFIER (STEEL SPACERS & RODS)



Item #8 (1)



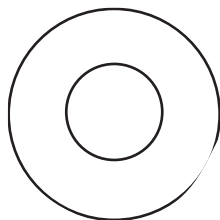
Item #26 (1)



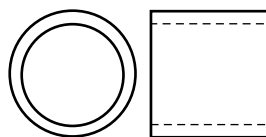
Item #22 (2)



## HARDWARE IDENTIFIER (PLASTIC SPACERS & CLIPS)



Item #11 (4)

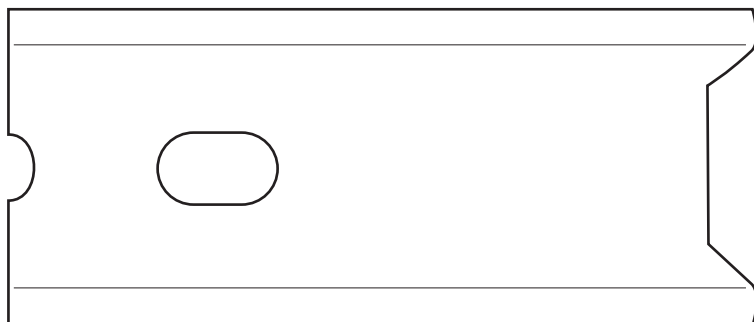


Item #29 (4)

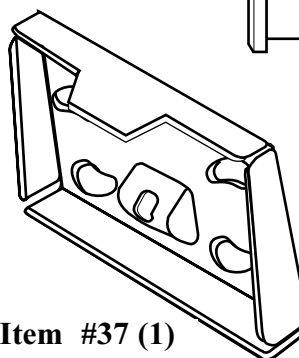


Item #44 (12)

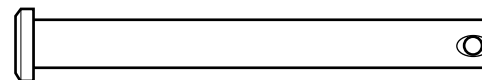
## HARDWARE IDENTIFIER (OTHER)



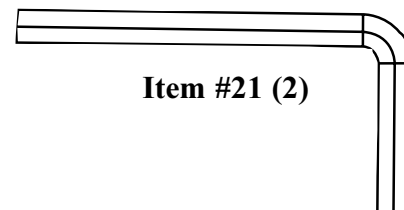
Item #40 (1)



Item #37 (1)



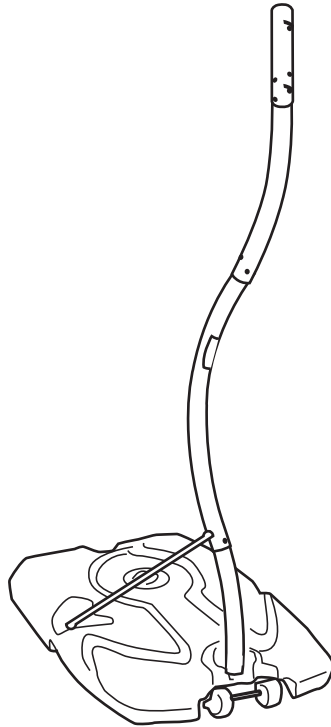
Item #33 (1)



Item #21 (2)

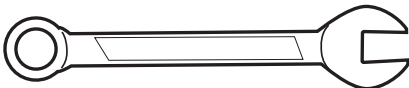
# SECTION A: ASSEMBLE THE BASE

This is what your system will look like when you've finished this section:



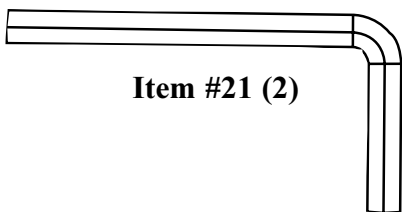
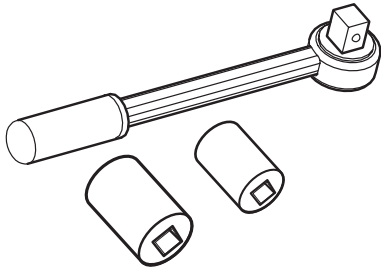
## TOOLS REQUIRED FOR THIS SECTION

**9/16" and 1/2"**



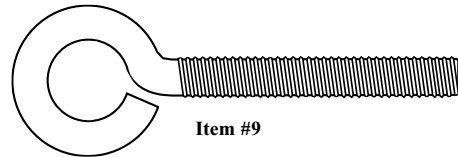
**AND/OR**

**9/16" and 1/2"**



**Item #21 (2)**

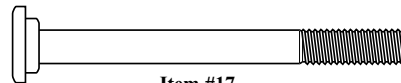
## HARDWARE USED IN THIS SECTION (not actual size)



**Item #9**



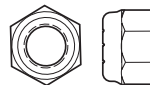
**Item #18**



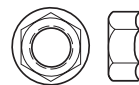
**Item #17**



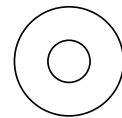
**Item #8**



**Item #12**



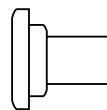
**Item #20**



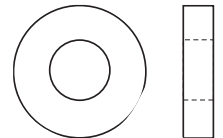
**Item #19**



**Item #14**

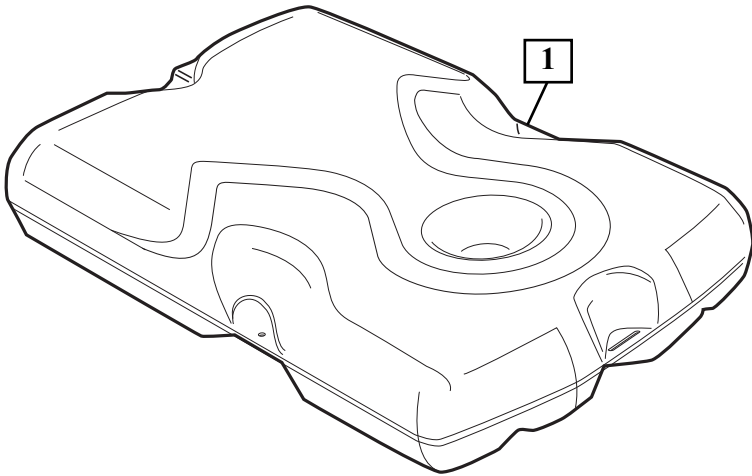


**Item #16**

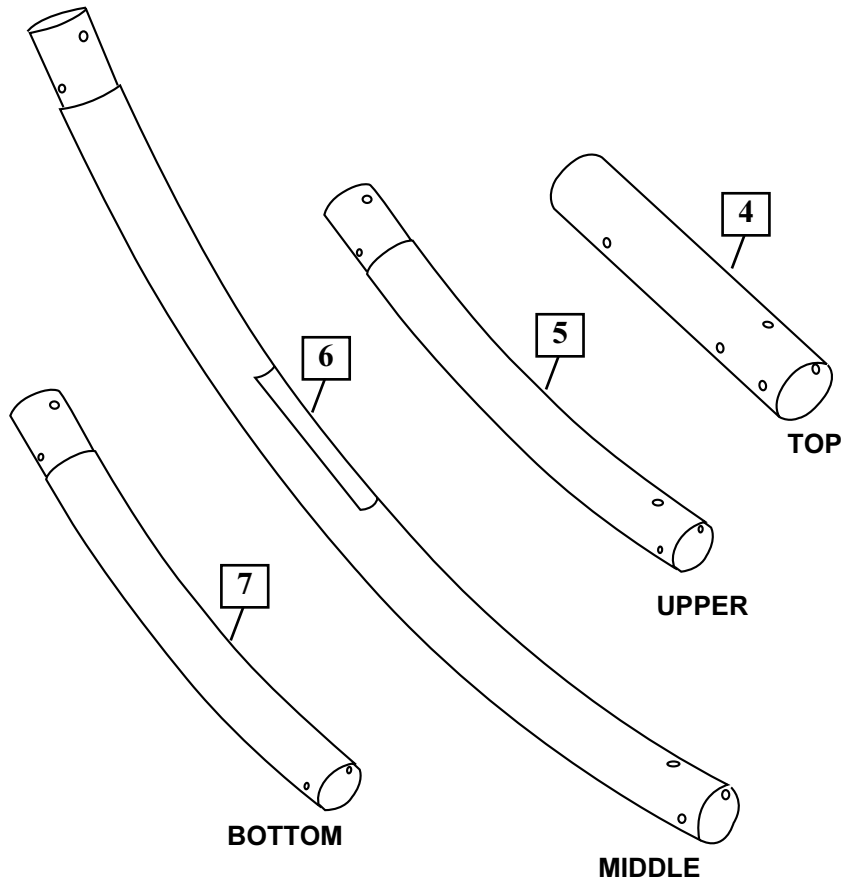


**Item #11**

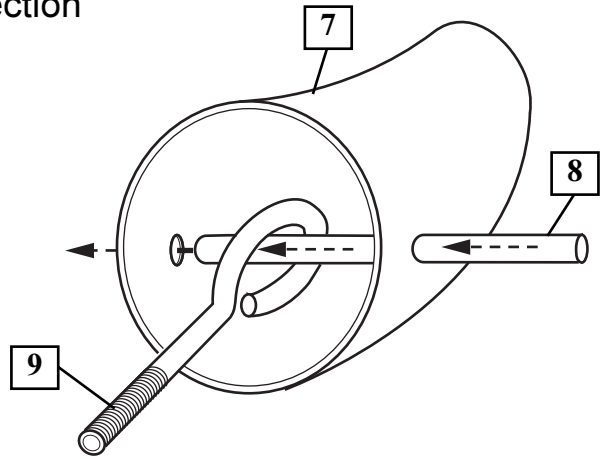
**1.** Remove contents from tank.



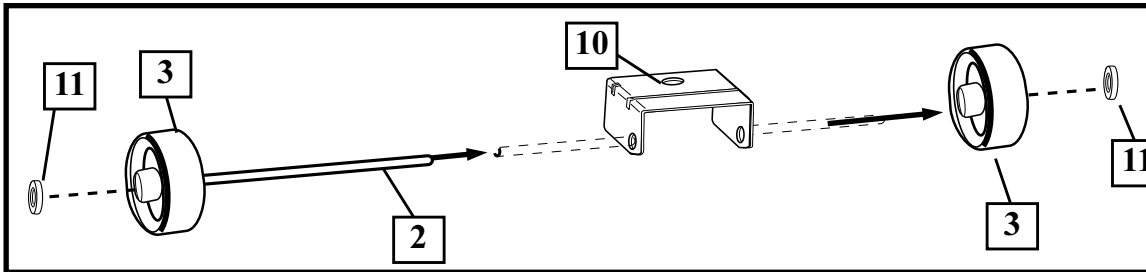
**2.** Correctly identify each pole section as labeled.



- 3.** Install rod (8) through holes in bottom pole section (7) and eyebolt (9).



- 4.** Install wheel axle (2) through wheel carriage (10). Install wheels (3) onto wheel axle (2) with spacers (11) as shown. Insert pole assembly into tank assembly as shown. Secure bottom pole (7) to tank and wheel bracket as shown, a deep socket is recommended. **IMPORTANT! DO NOT OVER TIGHTEN.**

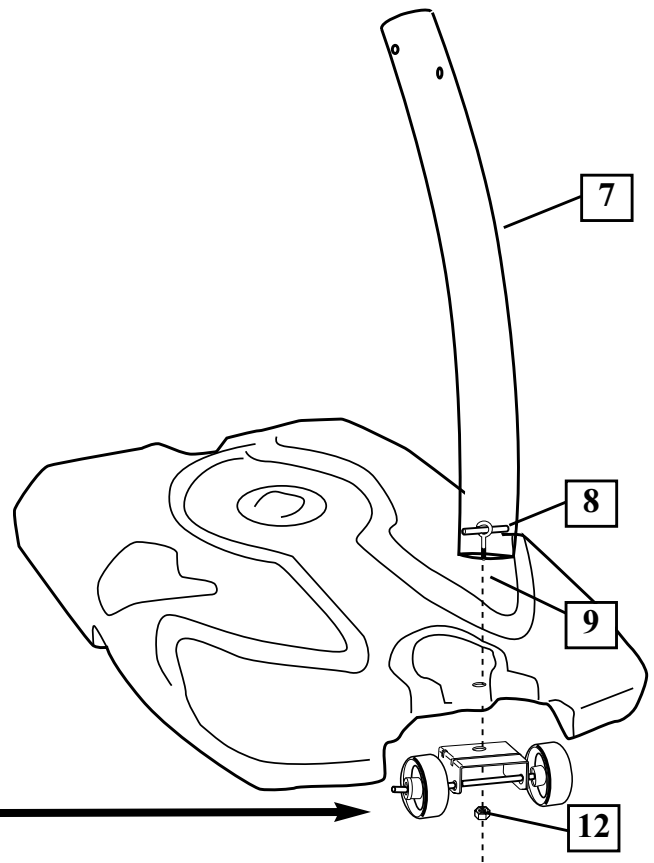


**IMPORTANT!:**

THE SPACER (11) WILL FIT LOOSELY UNTIL SECURED INTO THE CAVITY OF THE BASE

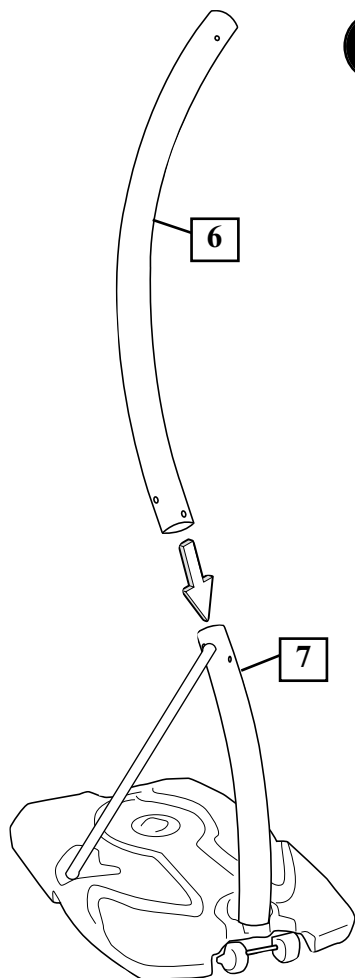
**⚠ WARNING!**

TWO PEOPLE REQUIRED FOR THIS PROCEDURE. FAILURE TO FOLLOW THIS WARNING COULD RESULT IN SERIOUS INJURY AND/OR PROPERTY DAMAGE.



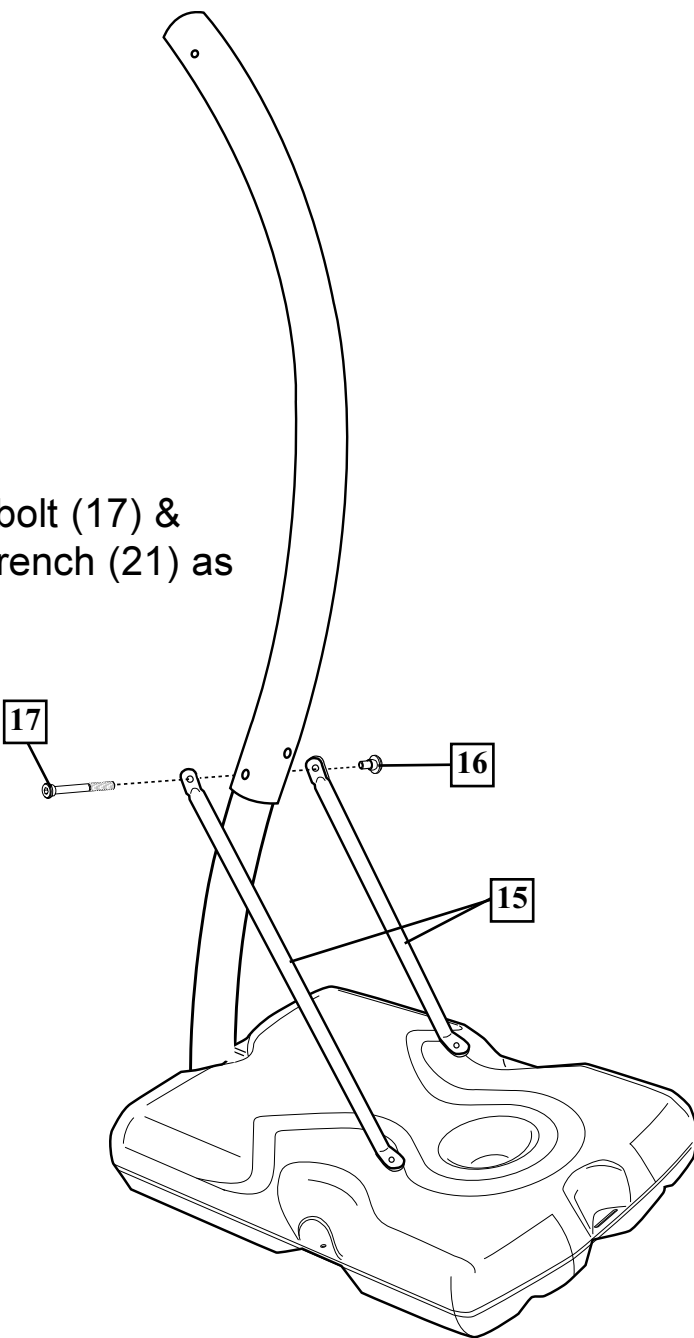
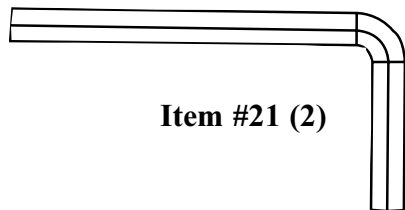
**5.**

Attach middle section of pole (6) onto bottom section of pole (7). Align holes in middle pole (6) with hole pattern on bottom pole (7).

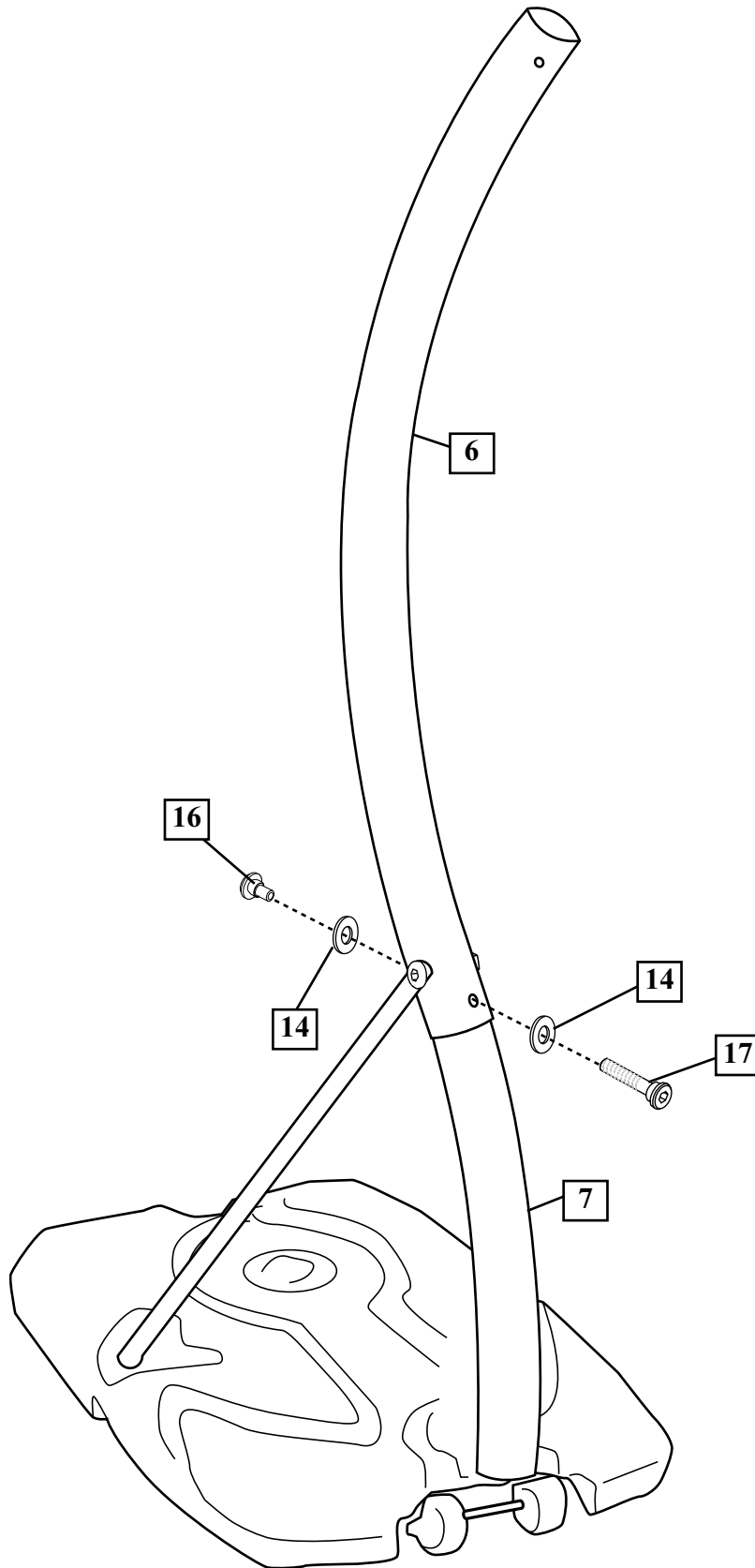


**6.**

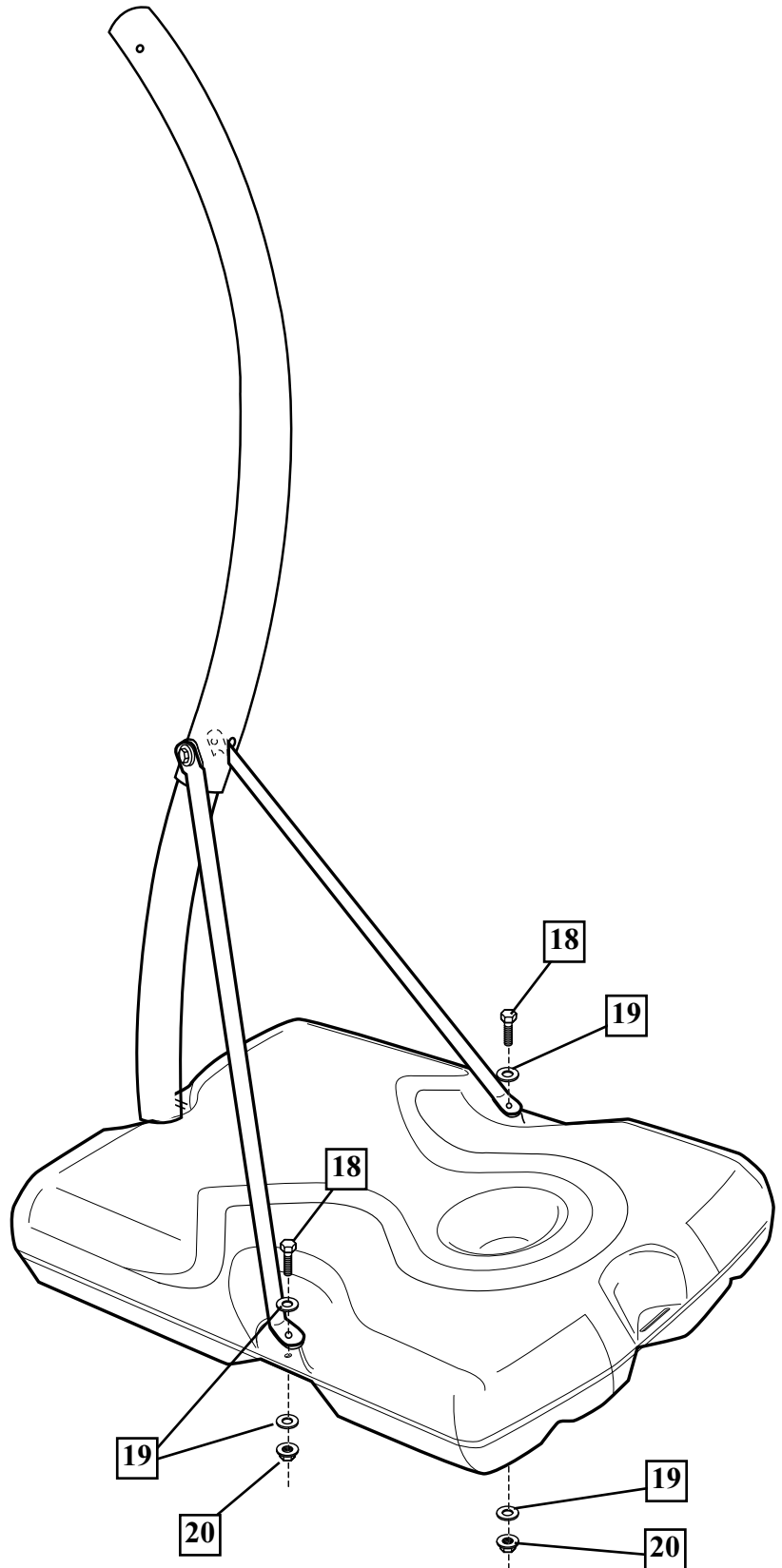
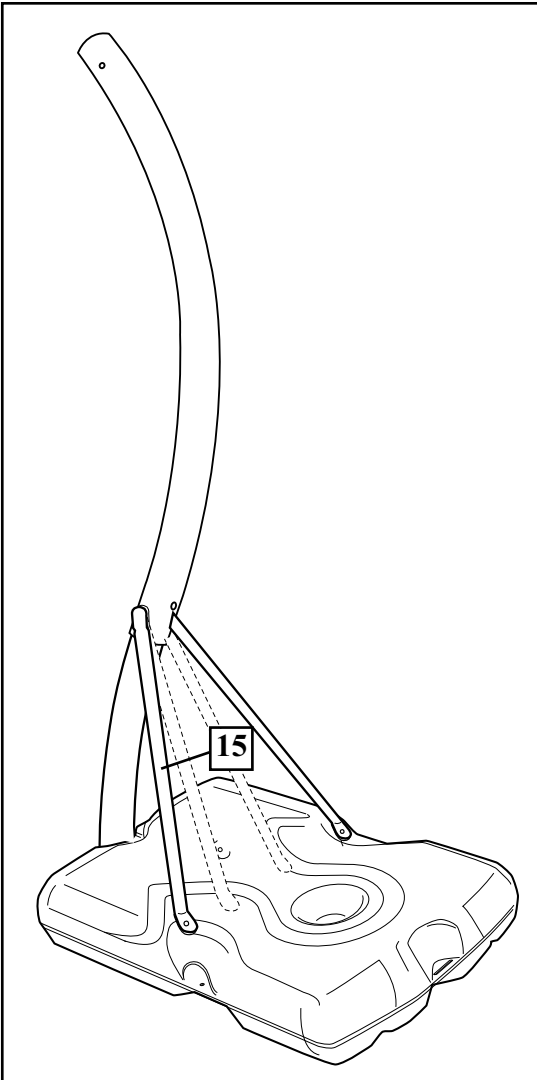
Secure struts (15) to poles by using bolt (17) & sleeve nut (16) with supplied allen wrench (21) as shown.



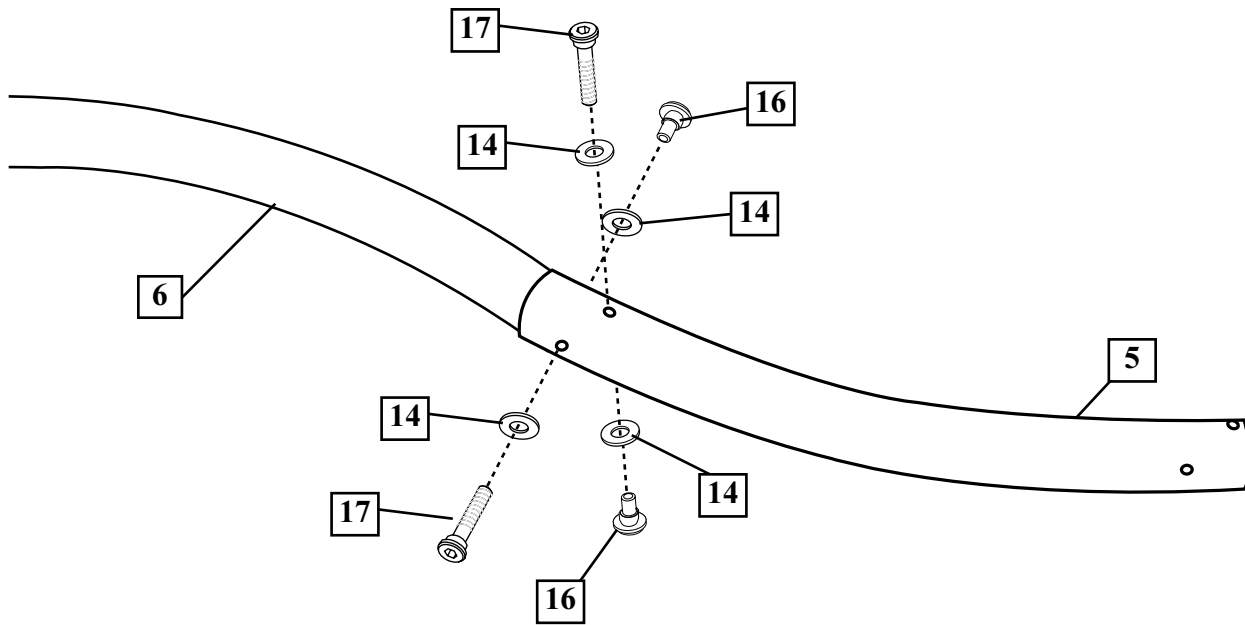
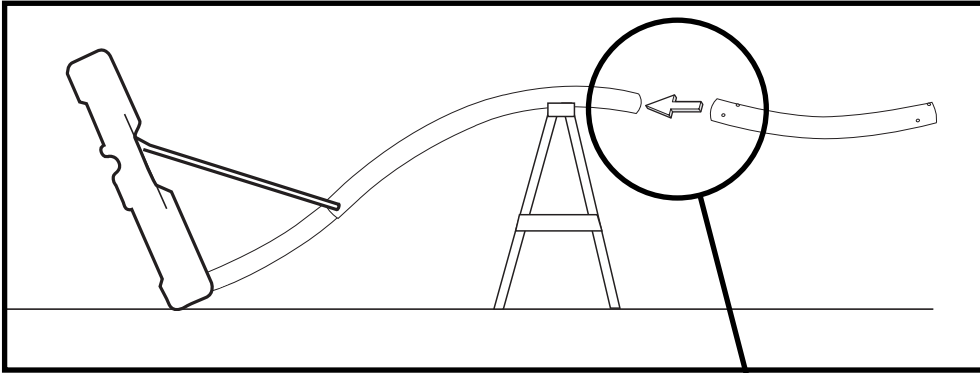
- 7.** Secure poles by attaching bolt (17), washers (14), and sleeve nuts (16) as shown.



- 8.** Rotate the non-secured ends of base struts (15) as shown. Secure base struts (15) to base using bolts (18), washers (19), and nuts (20).

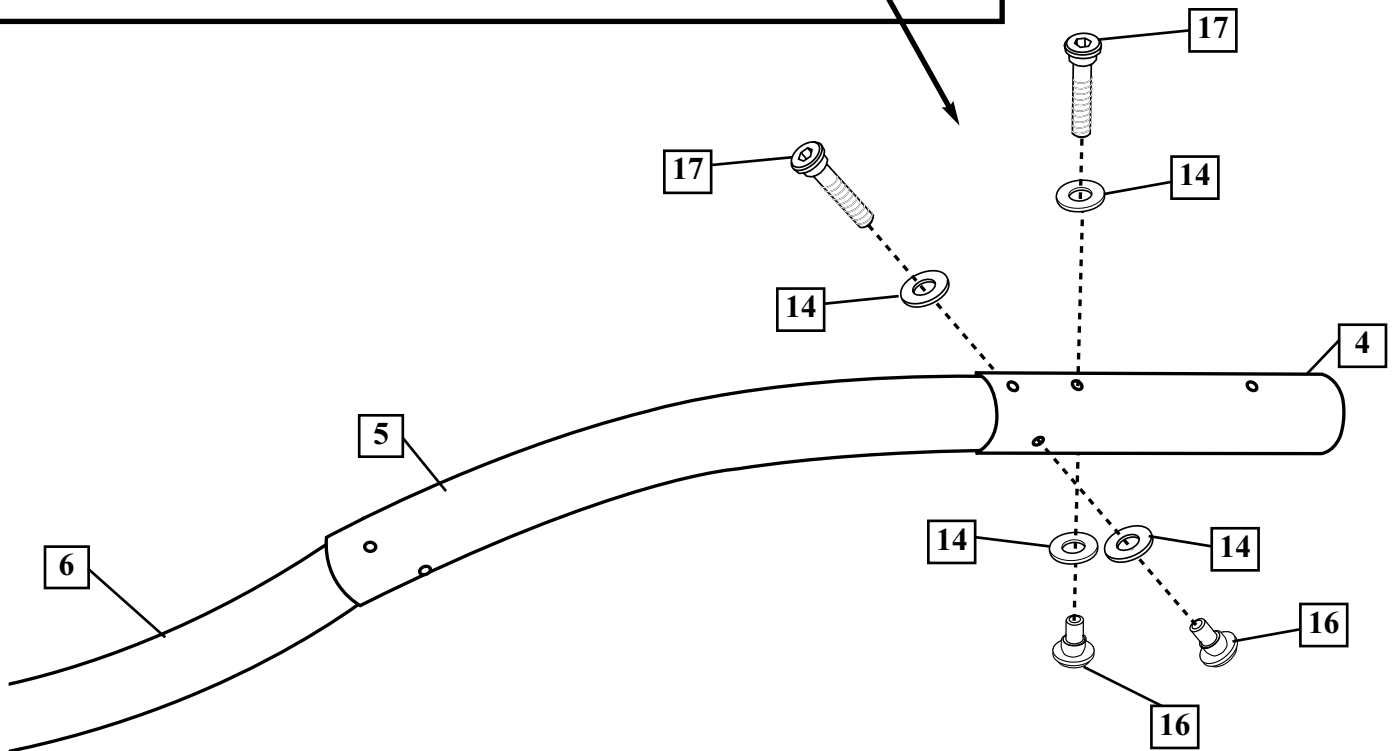
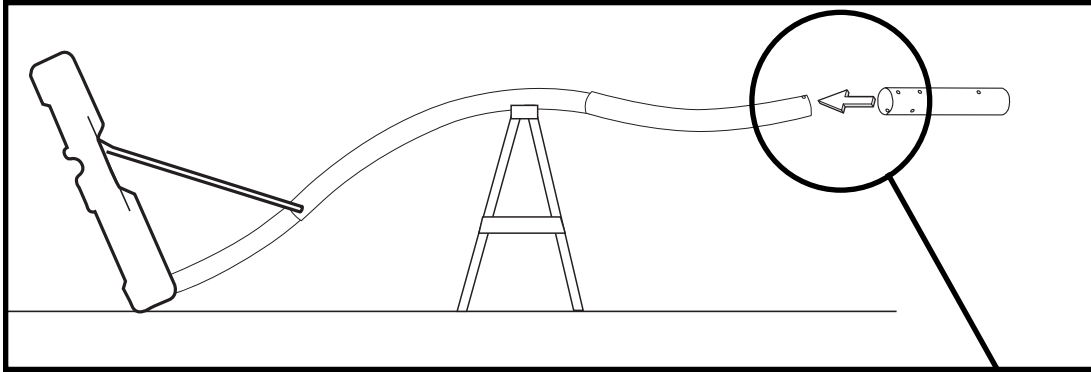


- 9.** Support pole on sawhorse. Attach upper section of pole (5) to middle section of pole (6) using bolts (17), washers (14), and nuts (16) as shown.



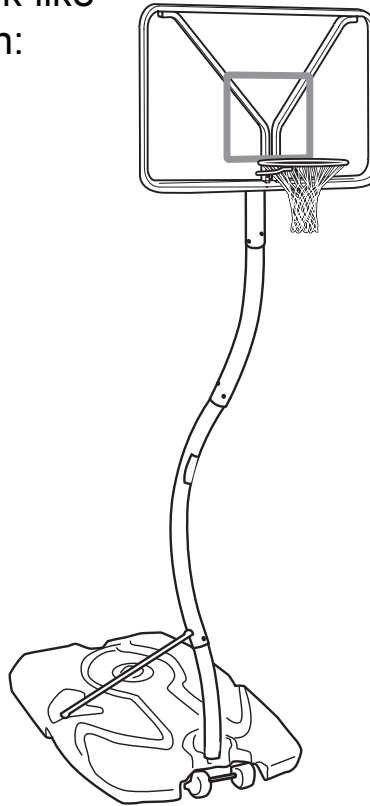


- 10.** While still supported on sawhorse attach top section of pole (4) to upper section of pole (5) using bolts (17), washers (14), and nuts (16) as shown.



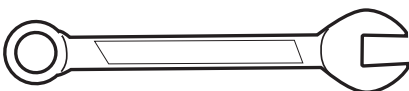
# SECTION B: ATTACH THE BACKBOARD

This is what your system will look like when you've finished this section:

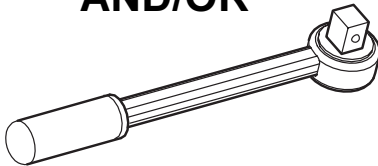


## TOOLS REQUIRED FOR THIS SECTION

**3/4", 9/16" and 1/2"**

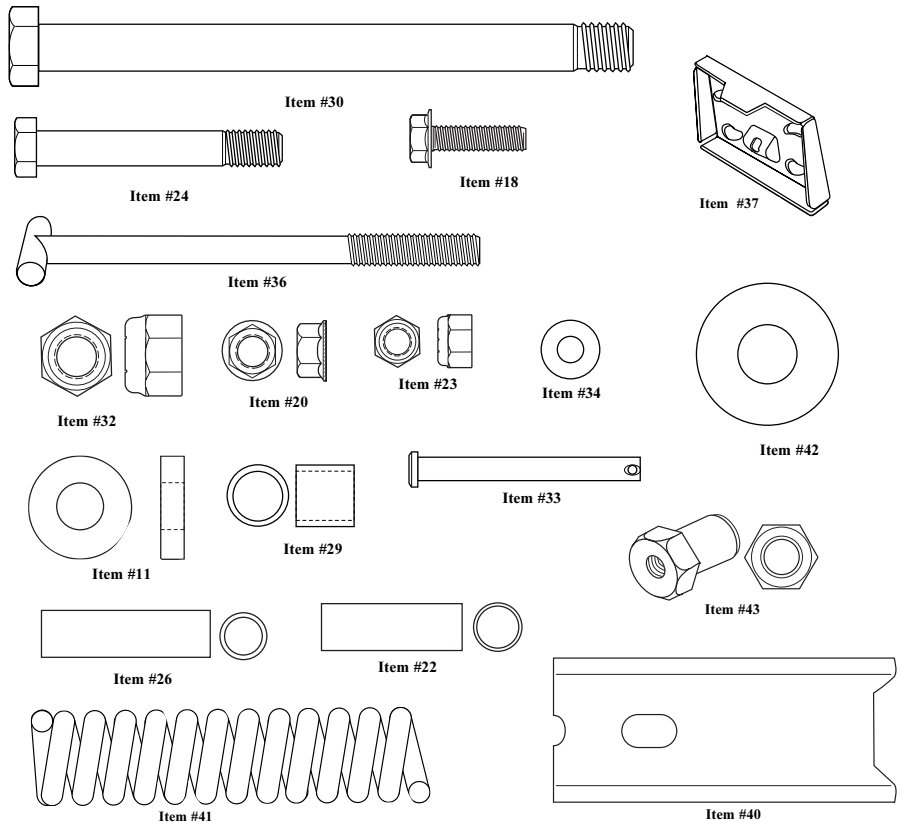


**AND/OR**

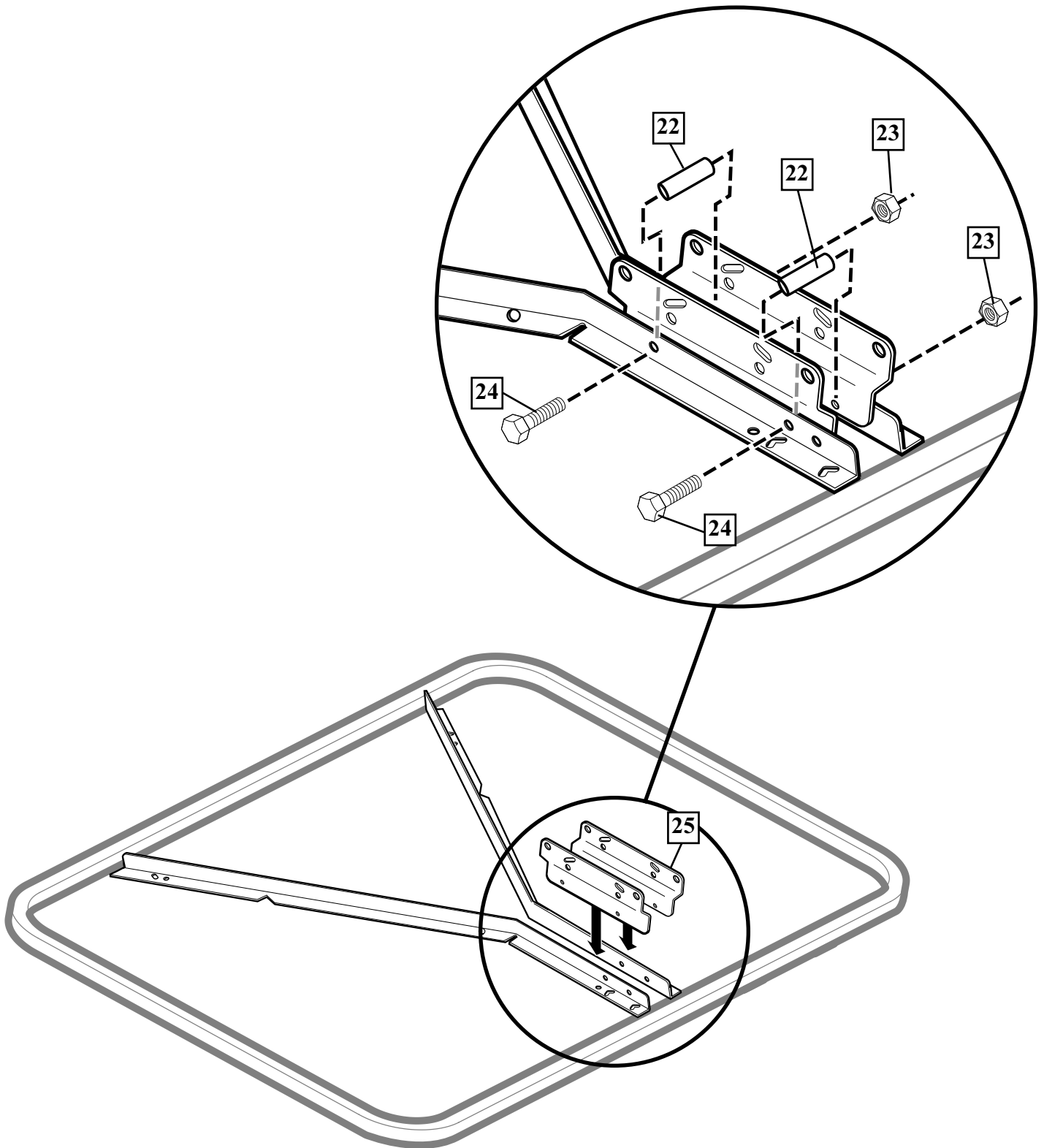


**3/4", 9/16" and 1/2"**

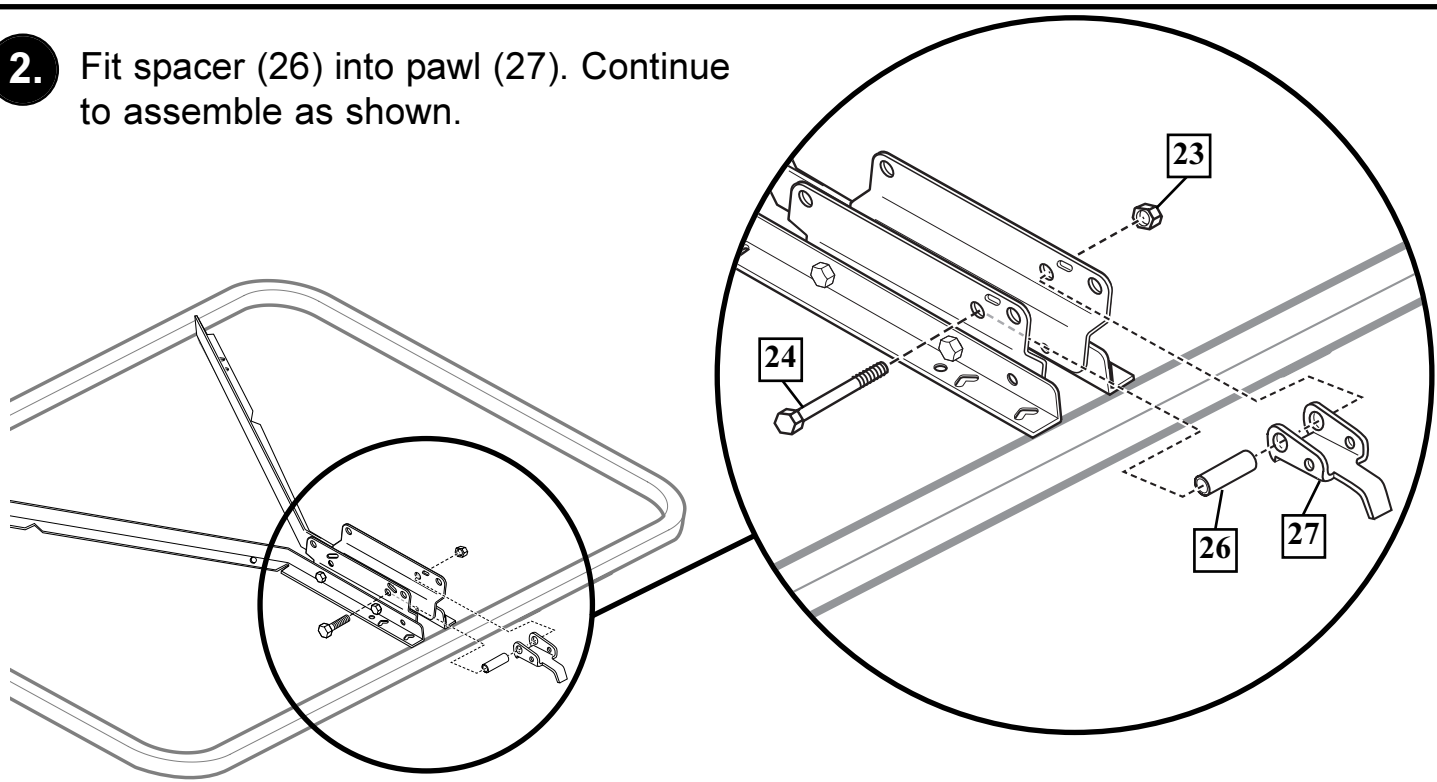
## HARDWARE USED IN THIS SECTION (not actual size)



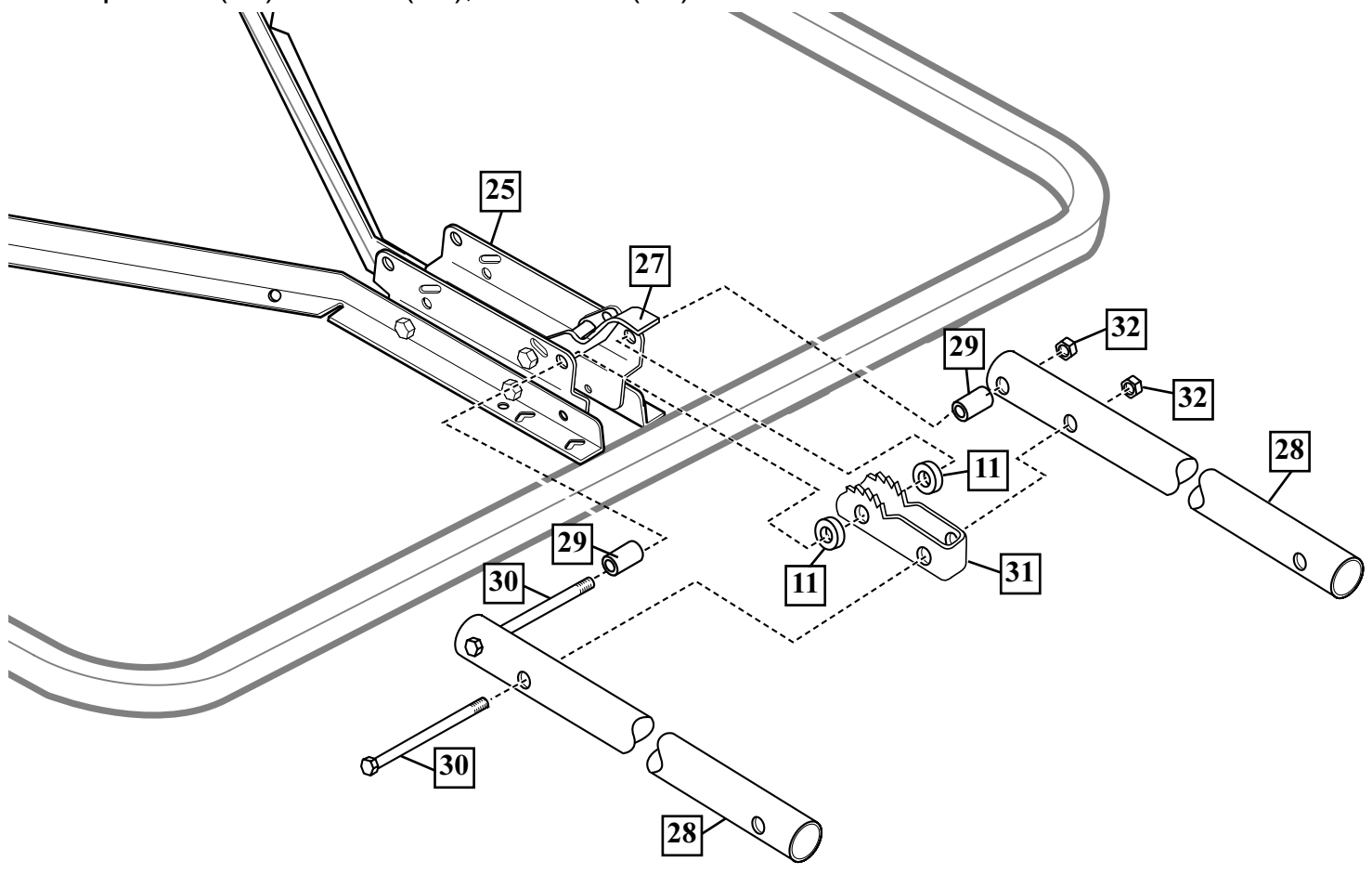
- 1.** Assemble backboard brackets (25) using spacers (22), bolts (24), and nuts (23) as shown.



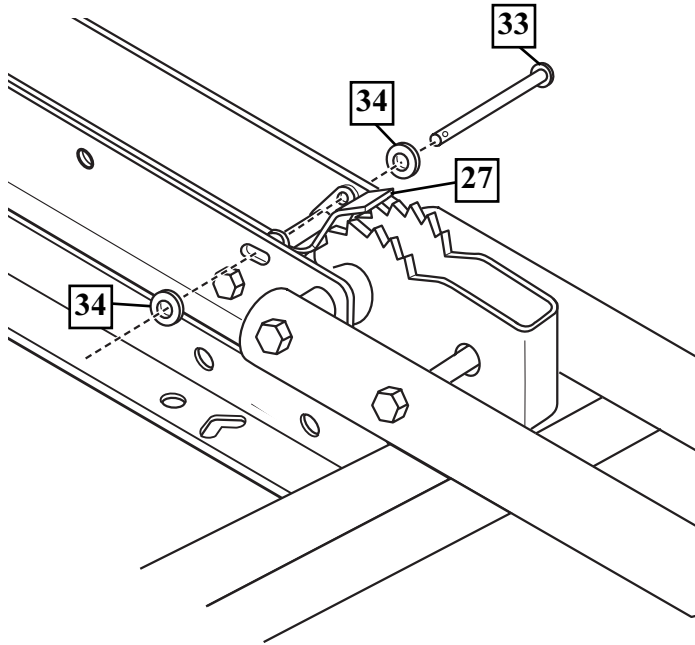
**2.** Fit spacer (26) into pawl (27). Continue to assemble as shown.



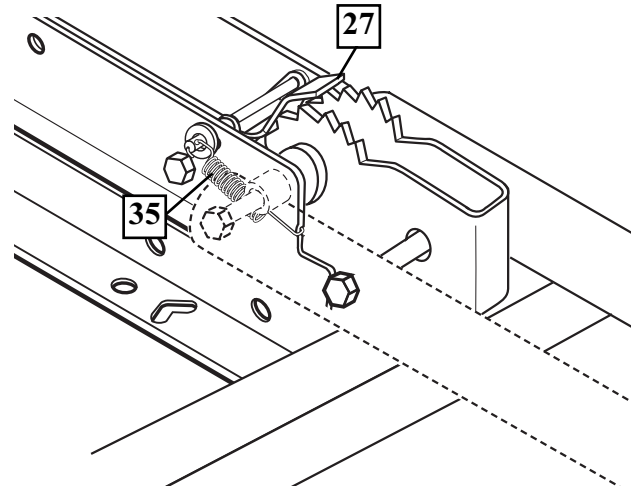
**3.** IMPORTANT! Test-fit bolts into holes of backboard brackets (25) and carefully rock them in a circular motion to ream out paint from holes if necessary. Attach lower elevator tubes (28) to backboard brackets (25) using spacers (29 & 11), bolts (30) spacers (11) ratchet (31), and nuts (32) as shown.



4. Secure pawl (27) in place with clevis pin (33) and washers (34).



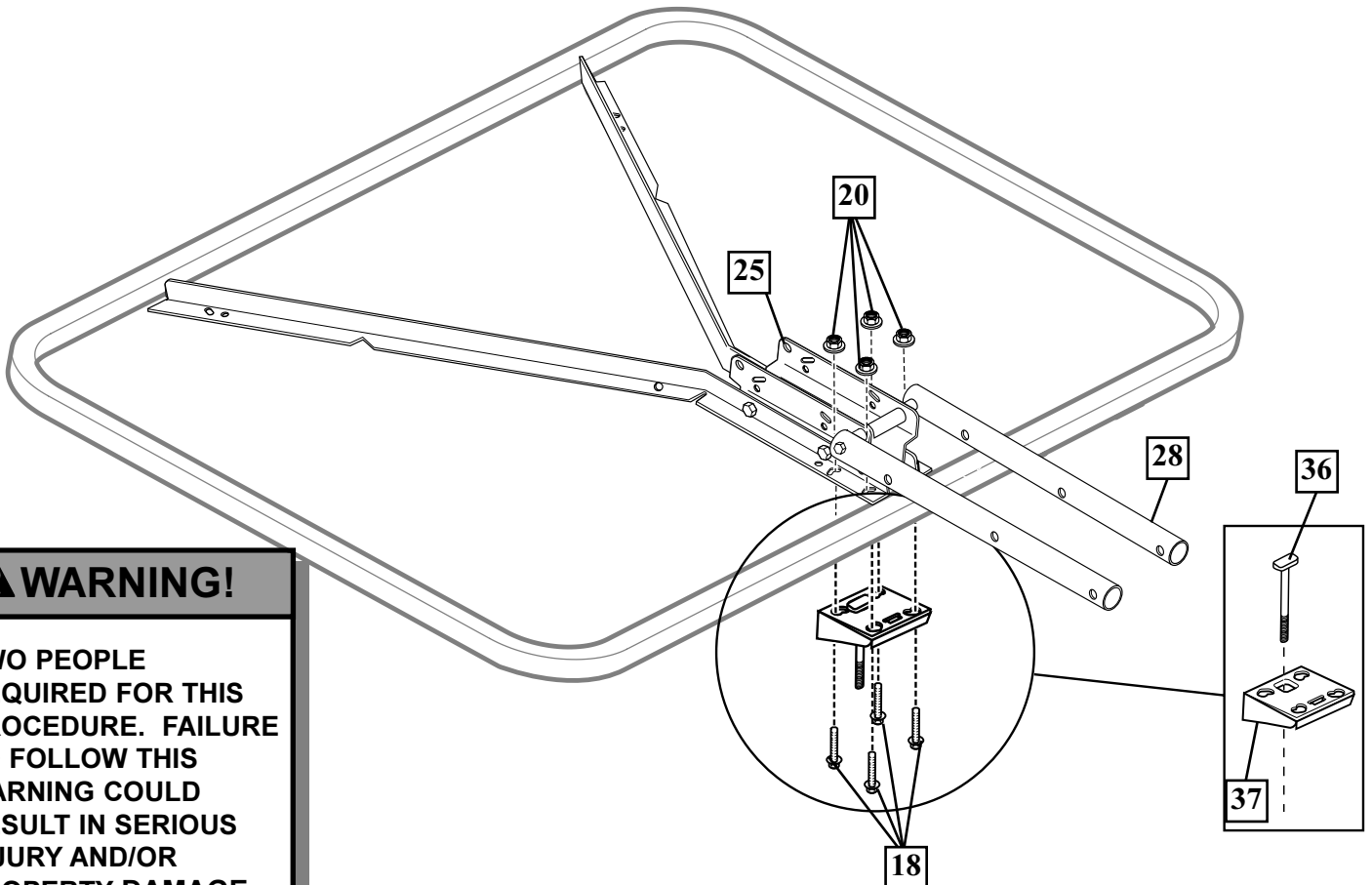
5. Stretch spring (35) into position with pliers.



**⚠ WARNING!**

**USE EYE PROTECTION  
WHEN INSTALLING  
SPRINGS.**

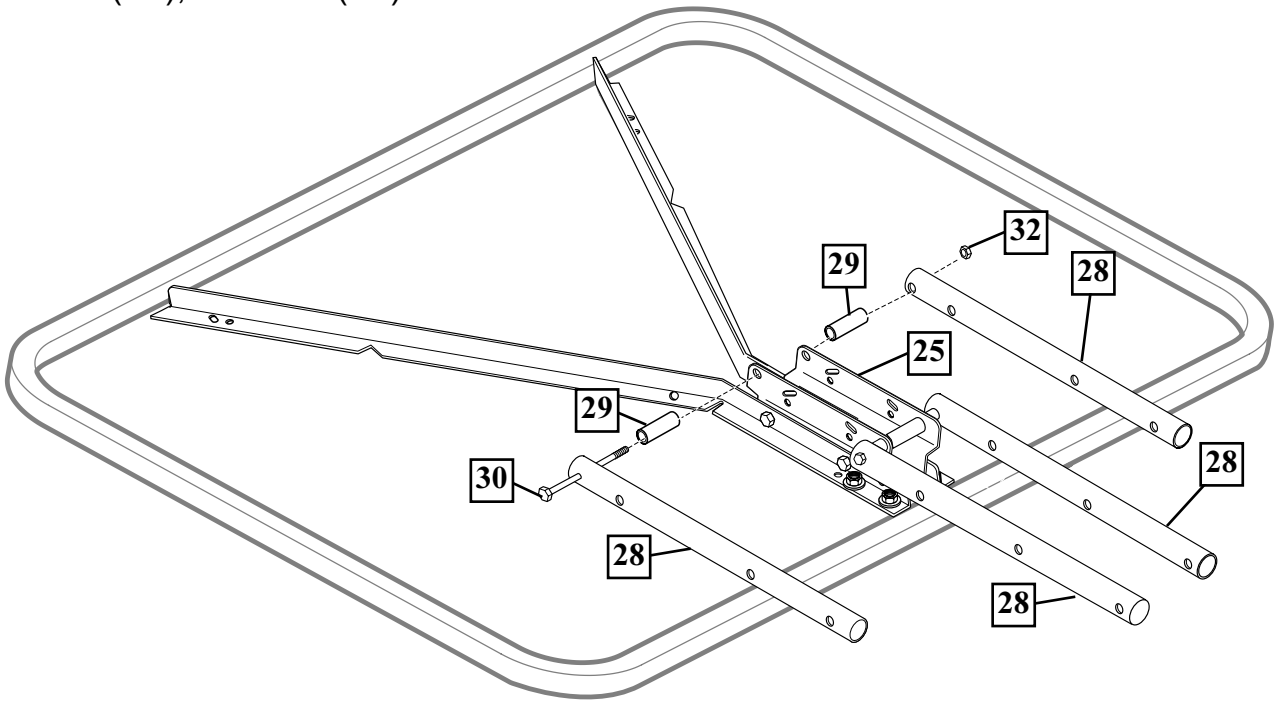
6. Insert "T" bolt (36) through Slam Jam bracket (37) as shown. Secure Slam Jam bracket (37) to backboard using bolt (18) and nut (20) as shown.



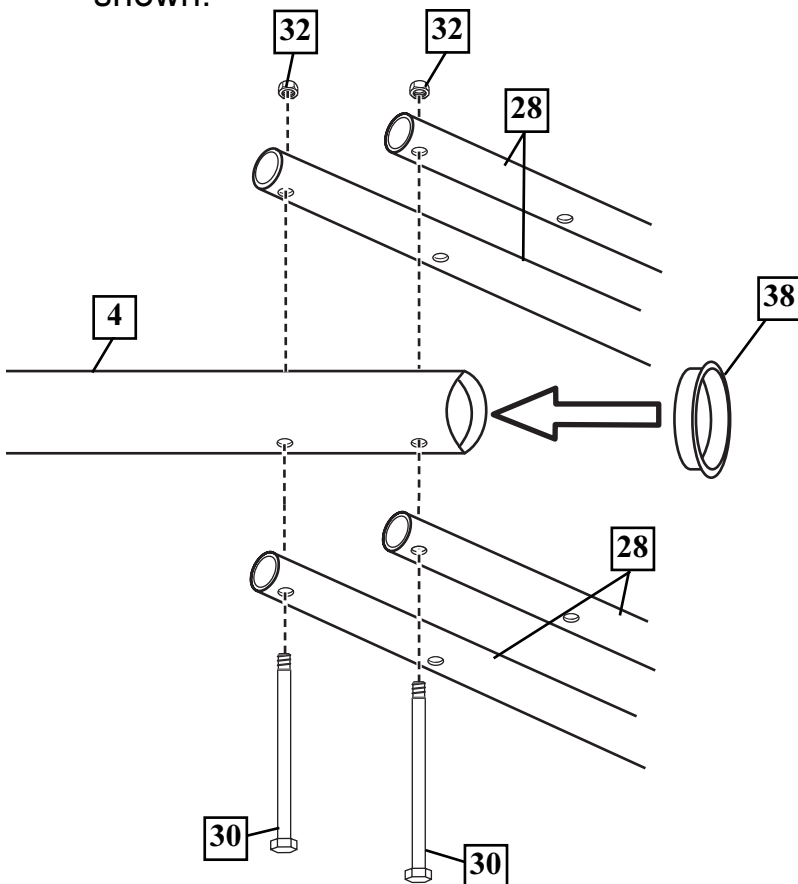
**⚠ WARNING!**

**TWO PEOPLE  
REQUIRED FOR THIS  
PROCEDURE. FAILURE  
TO FOLLOW THIS  
WARNING COULD  
RESULT IN SERIOUS  
INJURY AND/OR  
PROPERTY DAMAGE.**

7. Attach upper elevator tubes (28) to backboard brackets (25) using spacers (29), bolt (30), and nut (32) as shown.

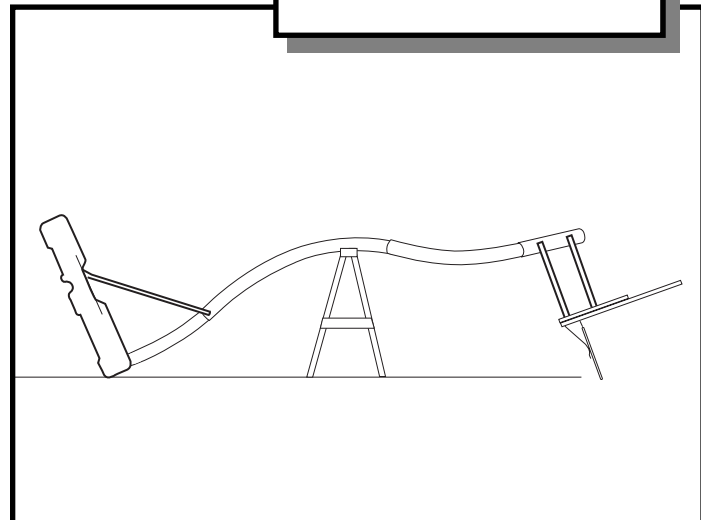


8. Support pole on sawhorse. Attach upper and lower elevator tubes (28) to top pole section (4) using bolts (30) and nuts (32) as shown. Attach pole cap (38) as shown.



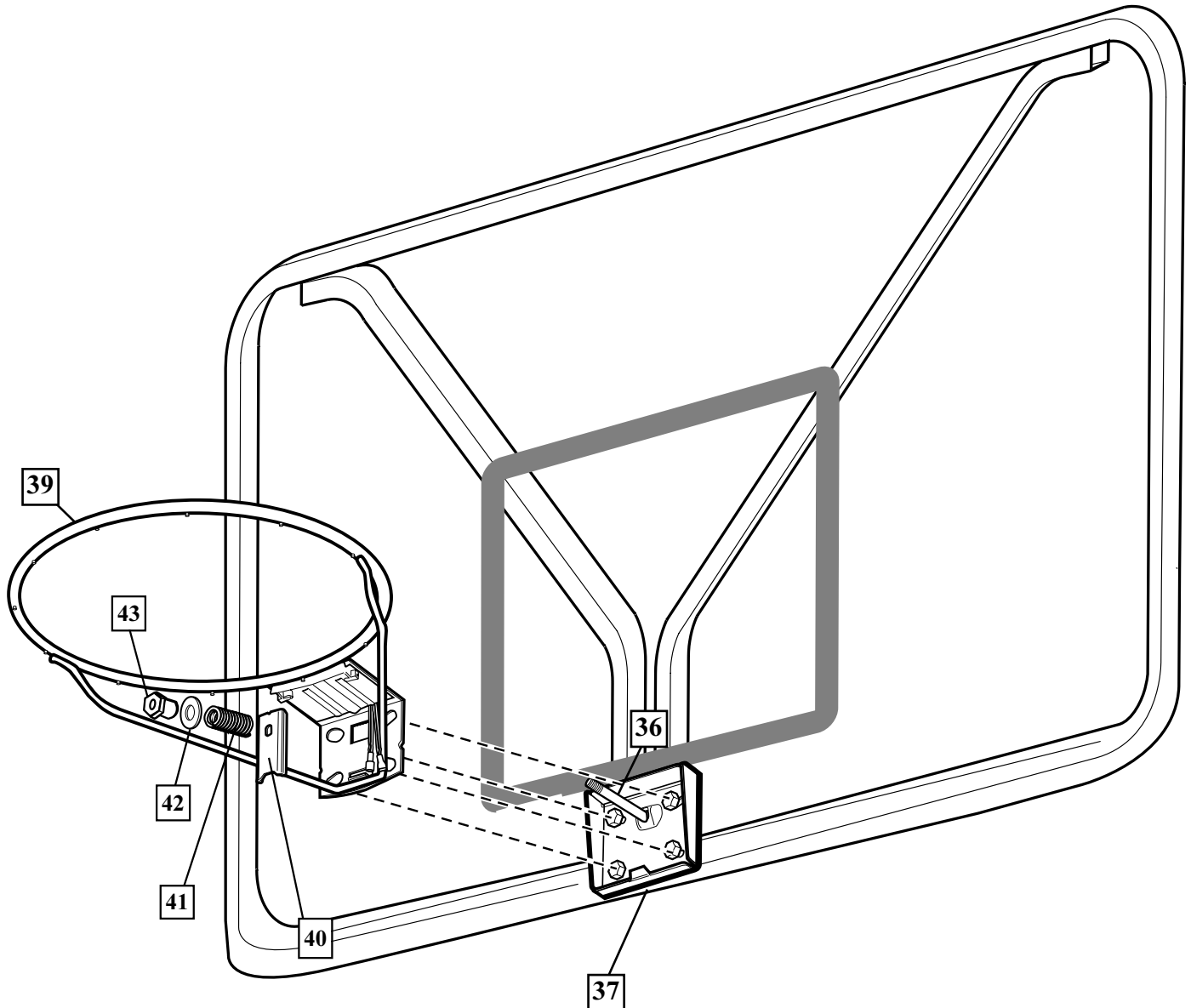
**⚠ WARNING!**

**TWO PEOPLE  
REQUIRED FOR THIS  
PROCEDURE. FAILURE  
TO FOLLOW THIS  
WARNING COULD  
RESULT IN SERIOUS  
INJURY AND/OR  
PROPERTY DAMAGE.**



9.

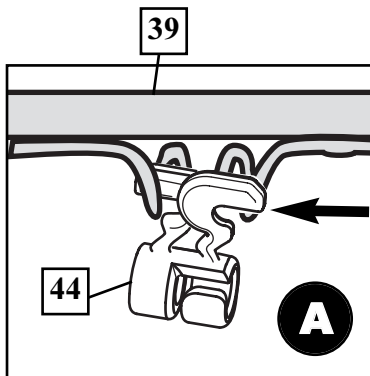
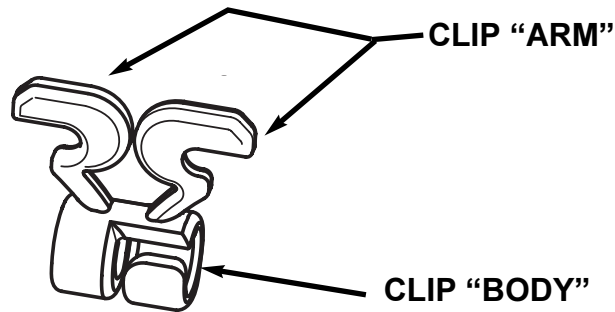
- Fit rim (39) securely into bracket (37) as shown.
- Install reinforcement bracket (40) onto "T" bolt (36) as shown.
- Install spring (41) onto "T" bolt (36) as shown.
- Install special nut (42) and washer (43) onto "T" bolt (36).
- Tighten nut (42) until flush with end of "T" bolt (36).



**10.** Install clips.

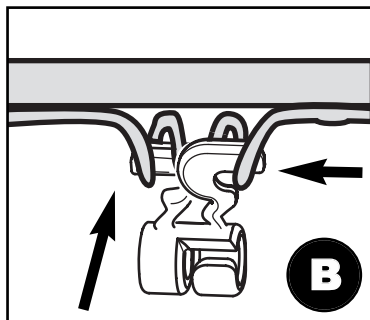
**⚠ WARNING!**

USE OF THIS PRODUCT WITHOUT PROPER INSTALLATION OF SMART CLIPS®, OR WHEN ALL SMART CLIPS® ARE NOT PRESENT COULD RESULT IN BODILY HARM. BE SURE TO FOLLOW DIRECTIONS CAREFULLY.

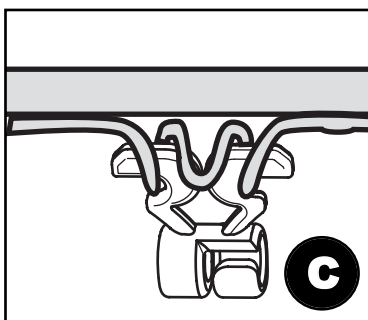


Insert one "arm" of clip into ram as shown. Twist "body" of clip slightly so that second "arm" slides over the top of the first "arm" as shown.

Push in direction indicated by arrows.



Push second "arm" back and into ram as shown.

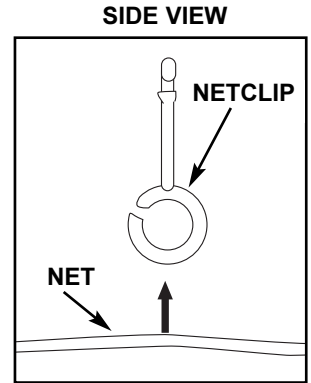
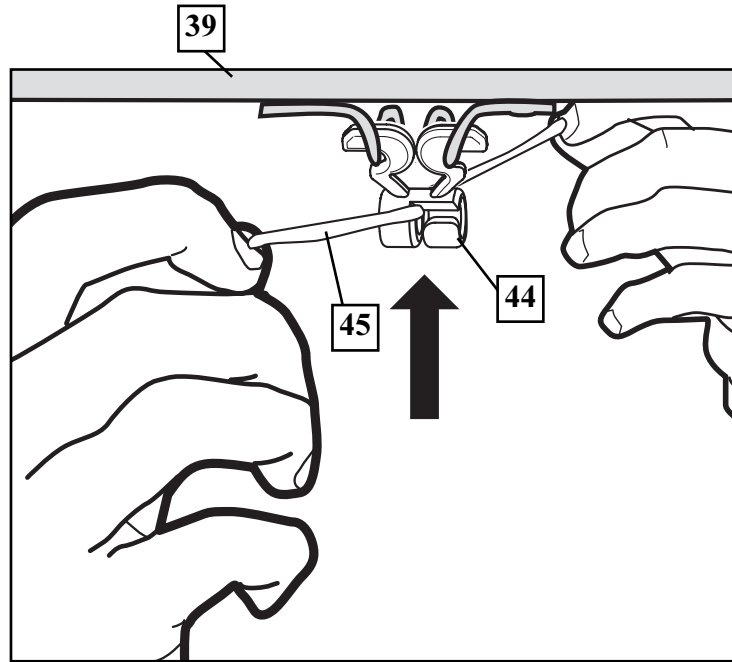


Twist "body" of clip slightly again to spread "arms" of clip. Clip "arms" must be flat and touching edge to edge as shown, not overlapping.

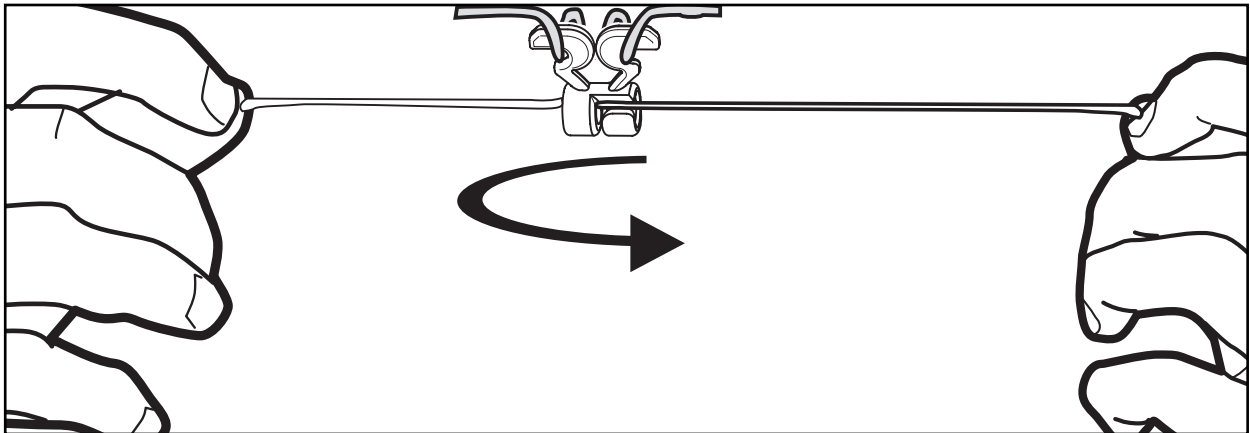


# NET INSTALLATION

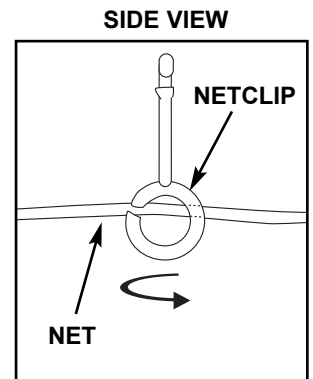
11.



Insert net into bottom of clip as shown.

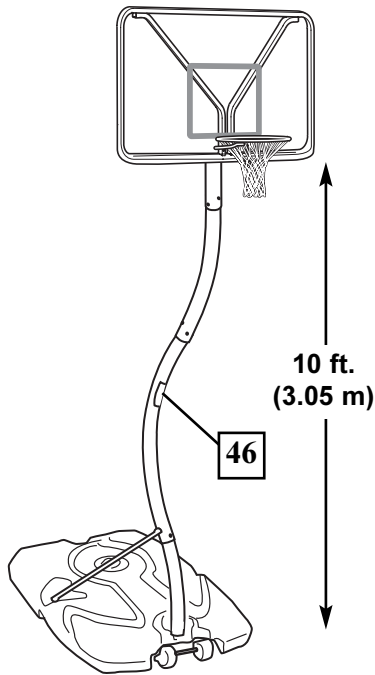


Twist net until it snaps into position.  
Net must be centered through clip.



## SECTION C: APPLY HEIGHT AND MOVING LABEL & SECURING SYSTEM

1. Carefully upright assembly. Apply moving system label (46) to front of pole as shown. Regulation rim height is 10 feet (3.05 m).



### ⚠ WARNING!

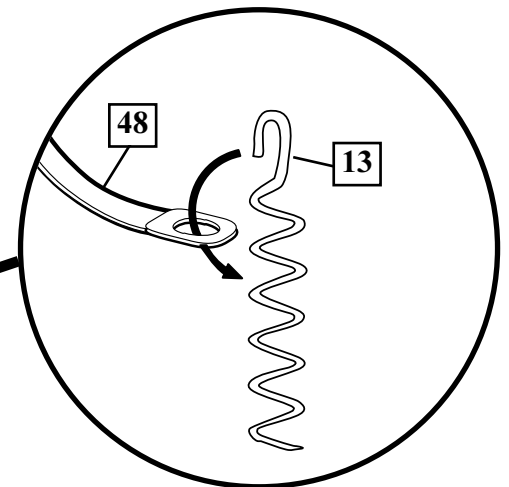
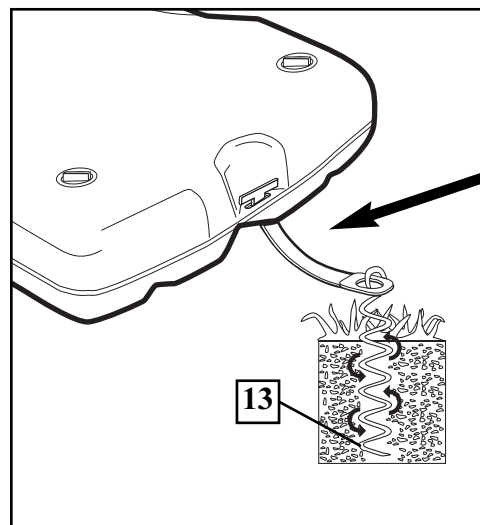
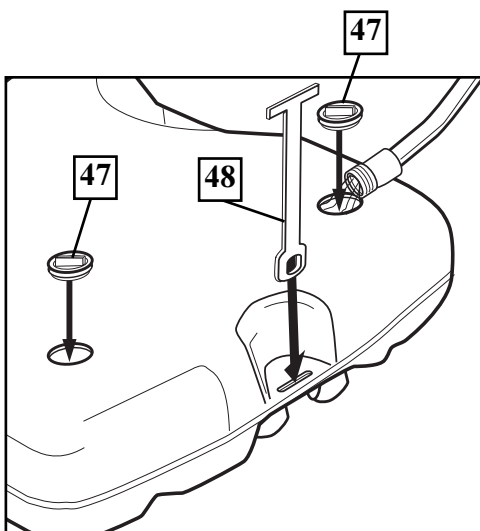
TWO PEOPLE  
REQUIRED FOR THIS  
PROCEDURE. FAILURE  
TO FOLLOW THIS  
WARNING COULD  
RESULT IN SERIOUS  
INJURY AND/OR  
PROPERTY DAMAGE.

### ⚠ WARNING!

DO NOT LEAVE  
ASSEMBLY  
UNATTENDED WHEN  
EMPTY; IT MAY TIP  
OVER.

DO NOT ALLOW  
CHILDREN TO ADJUST  
HEIGHT.

2. Place assembled unit in desired location. Fill tank with water (30 gallons/114 liters) or sand (360 lb./163 kg) and snap tank cap (47) in place. Insert T-strap (48) through slot on back of base as shown. Secure unit to ground by twisting tie down stake (49) into ground and hooking T-strap (48) onto tie down stake (49).



## Free Manuals Download Website

<http://myh66.com>

<http://usermanuals.us>

<http://www.somanuals.com>

<http://www.4manuals.cc>

<http://www.manual-lib.com>

<http://www.404manual.com>

<http://www.luxmanual.com>

<http://aubethermostatmanual.com>

Golf course search by state

<http://golfingnear.com>

Email search by domain

<http://emailbydomain.com>

Auto manuals search

<http://auto.somanuals.com>

TV manuals search

<http://tv.somanuals.com>