

HUFFY[®]SPORTS

Portable System Owners Manual

Customer Service Center

• N53 W24700 South Corporate Circle • Sussex, WI 53089 • U.S.A.





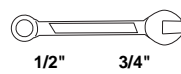
! WARNING!

READ AND UNDERSTAND
OPERATOR'S MANUAL
BEFORE USING THIS UNIT.

FAILURE TO FOLLOW
OPERATING INSTRUCTIONS
COULD RESULT IN INJURY
OR DAMAGE TO PROPERTY.

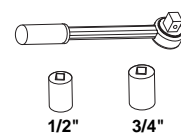
REQUIRED TOOLS AND MATERIALS:

- (2 each) Wrenches and/or Socket Wrenches and Sockets.



1/2" 3/4"

AND/OR



1/2" 3/4"

Manufactured & Distributed By:

HUFFY[®]SPORTS

A  Company

Model # _____

Toll-Free Customer Service Number for U.S.: 1-800-558-5234
<http://www.huffysports.com>

STOP! Questions or Missing Parts?
DON'T go back to store!
Call TOLL-FREE Customer Service
Number listed on the front page!

NOTICE TO ASSEMBLERS

ALL Huffy Sports basketball Systems, including those used for DISPLAYS, MUST be assembled and ballasted with sand or water according to instructions. Failure to follow instructions could result in **SERIOUS INJURY**. It is **NOT** acceptable to devise a makeshift weight system.

! SAFETY INSTRUCTIONS !

FAILURE TO FOLLOW THESE SAFETY INSTRUCTIONS MAY RESULT IN SERIOUS INJURY AND/OR PROPERTY DAMAGE AND WILL VOID WARRANTY.

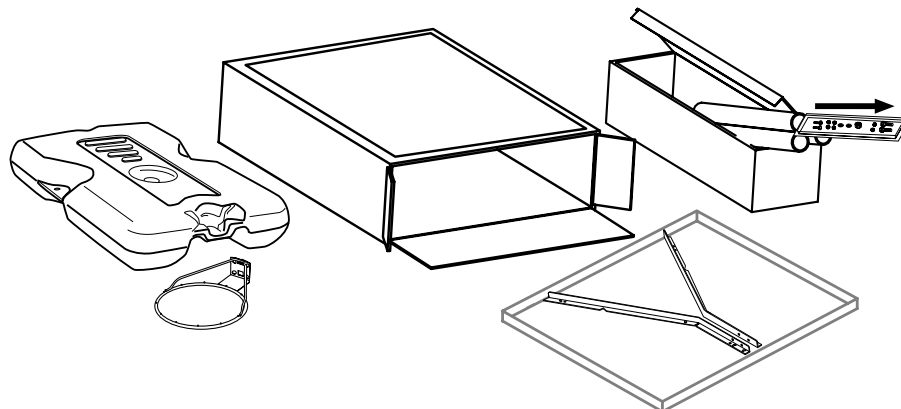
Owner must ensure that all players know and follow these rules for safe operation of the system.

To ensure safety, do not attempt to assemble this system without following the instructions carefully. Proper and complete assembly, use, and supervision is essential for proper operation and to reduce the risk of accident or injury. A high probability of serious injury exists if this system is not installed, maintained, and operated properly.

- If using a ladder during assembly, use extreme caution.
- Check base regularly for leakage. Slow leaks could cause the system to tip over unexpectedly
- Seat the pole sections properly (if applicable). Failure to do so could allow the pole sections to separate during play and/or during transport of the system.
- Climate, corrosion or misuse could result in system failure.
- If technical assistance is required, contact Huffy Sports.
- Minimum operational height is 6'6" (1.98m) to the bottom of backboard.

*Most injuries are caused by misuse and/or not following instructions.
Use caution when using this unit.*

IMPORTANT!
Remove all contents from boxes.
Be sure to check inside pole sections;
hardware and additional parts are packed inside.



PARTS LIST

<u>Item</u>	<u>Qty.</u>	<u>Part No.</u>	<u>Description</u>
1	1	206646	Tank (Black)
2	1	200628	Wheel Axle
3	2	226401	Wheel
4	1	900060	Top Pole Section
5	1	908057	Middle Pole Section with Label
6	1	900254	Bottom Pole Section Assembly
7	1	203041	Nut, Hex Flange, 3/8-16
8	1		Net
9	1	201342	Wheel Bracket
10	2	201651	Spacer, Wheel Axle
11	1	201568	T-Strap
12	1	206219	Cap
13	1	266001	Bolt, Carriage, 3/8-16 x 1.5 Long
14	1	203617	Tank Cap
15	1	200439	Label, Moving System and Height Adjust.
16	2	203084	Bolt, Carriage, 5/16-18 x 1.75 Long
17	4	201344	Knob, Plastic, 3-sided
18	1		Rim
19	12*	201219	Smart Clip, Net Holder
20	2	900057	Backboard Mounting Bracket
21	1	203124	Tie Down Stake
22	3	203309	Washer, .406 I.D. x 1.0 O.D.
23	2	203053	Bolt, Carriage 5/16-18 x 4
24	2	200837	Board Spacer
25	4	203100	Nut, Hex Flange, 5/16-18
26	1	900033	Slam Jam Bracket, Black
27	1	203796	Bolt, "Tee" 3/8 - NC x 5 Long
28	1	200318	Bracket Reinforcement, Slam Jam
29	1	203472	Spring, Black
30	1	203795	Nut, Special 3/8-NC
31	1	203470	Washer, Flat 5/8 I.D. x 1-1/2 O.D.
32	4	203104	Bolt, Hex-Flange 5/16-18 x 2" Long

* YOU MAY HAVE EXTRA PARTS WITH THIS MODEL.



WARNING

FAILURE TO FOLLOW THESE WARNINGS MAY RESULT
IN SERIOUS INJURY AND/OR PROPERTY DAMAGE.

*Owner must ensure that all players know and follow
these rules for safe operation of the system.*

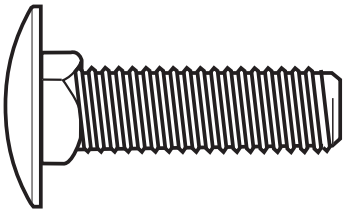
- DO NOT HANG on the rim or any part of the system including backboard, support braces or net.
- During play, especially when performing dunk type activities, keep player's face away from the backboard, rim and net. Serious injury could occur if teeth/face come in contact with backboard, rim or net.
- Do not slide, climb, shake or play on base and/or pole.
- After assembly is complete, fill system completely with water or sand and stake to the ground. Never leave system in an upright position without filling base with weight, as system may tip over causing injuries.
- When adjusting height or moving system, keep hands and fingers away from moving parts.
- Do not allow children to move or adjust system.
- During play, do not wear jewelry (rings, watches, necklaces, etc.). Objects may entangle in net.
- Surface beneath the base must be smooth and free of gravel or other sharp objects. Punctures cause leakage and could cause system to tip over.
- Keep organic material away from pole base. Grass, litter, etc. could cause corrosion and/or deterioration.
- Check pole system for signs of corrosion (rust, pitting, chipping) and repaint with exterior enamel paint. If rust has penetrated through the steel anywhere, replace pole immediately.
- Check system before each use for proper ballast, loose hardware, excessive wear and signs corrosion and repair before use.
- Check system before each use for instability.
- Do not use system during windy and/or severe weather conditions; system may tip over. Place system in the storage position and/or in an area protected from the wind and free from personal property and/or overhead wires.
- Never play on damaged equipment.
- See instruction manual for proper installation and maintenance.
- When moving system, use caution to keep mechanism from shifting.
- Keep pole top covered with cap at all times.
- Do not allow water in tank to freeze. During sub-freezing weather add non-toxic antifreeze, sand or empty tank completely and store. (Do not use salt.)
- Use extreme caution if placing system on sloped surface. System may tip over more easily.

HUFFY[®]SPORTS

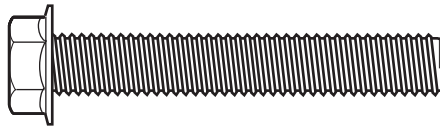
In the U.S.: 1-800-558-5234 and Canada: 1-800-284-8339

201241 2/99

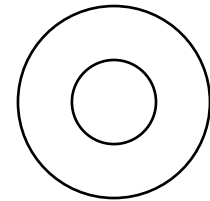
PARTS IDENTIFIER- Hardware is actual size



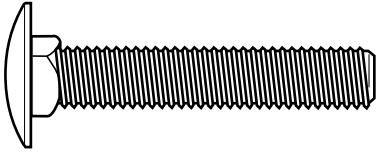
13. Bolt, Carriage, 3/8-16 x 1.5 Long-Qty (1)



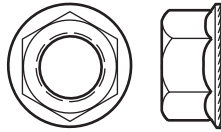
32. Bolt, Hex Flange, 5/16-18 x 2"-Qty (4)



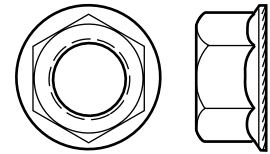
22. Washer, .406 I.D. x 1.0 O.D. -Qty (3)



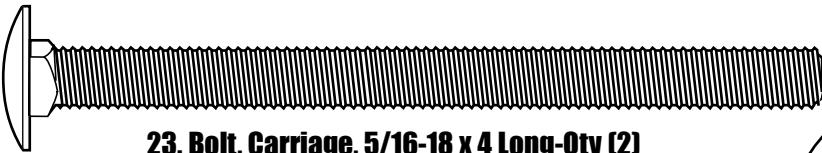
16. Bolt, Carriage, 5/16-18 x 1.75 Long-Qty (2)



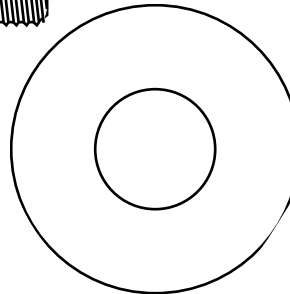
25. Nut, Hex Flange, 5/16-18-Qty (4)



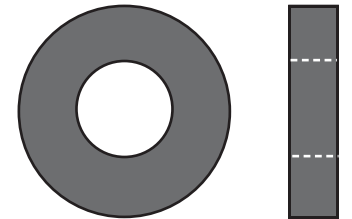
7. Nut, Hex Flange, 3/8-16-Qty (1)



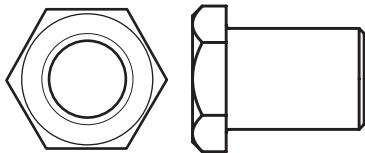
23. Bolt, Carriage, 5/16-18 x 4 Long-Qty (2)



31. Washer, 5/8 I.D. x 1/2 O.D.-Qty (1)



10. Spacer, Wheel Axle-Qty (2)

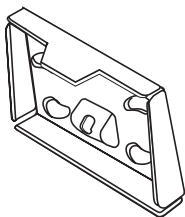


30. Special Nut- -Qty (1)

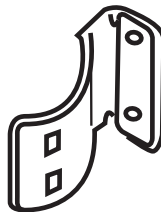


27. "T" Bolt-Qty(1)

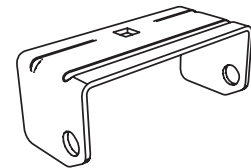
PARTS IDENTIFIER- Not actual size



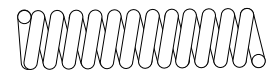
26. Slam Jam Bracket-Qty (1)



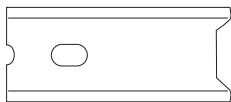
20. Backboard Mounting Bracket-Qty (2)



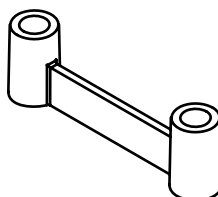
9. Wheel Bracket-Qty (1)



29. Spring-Qty (1)



28. Reinforcement Bracket-Qty (1)

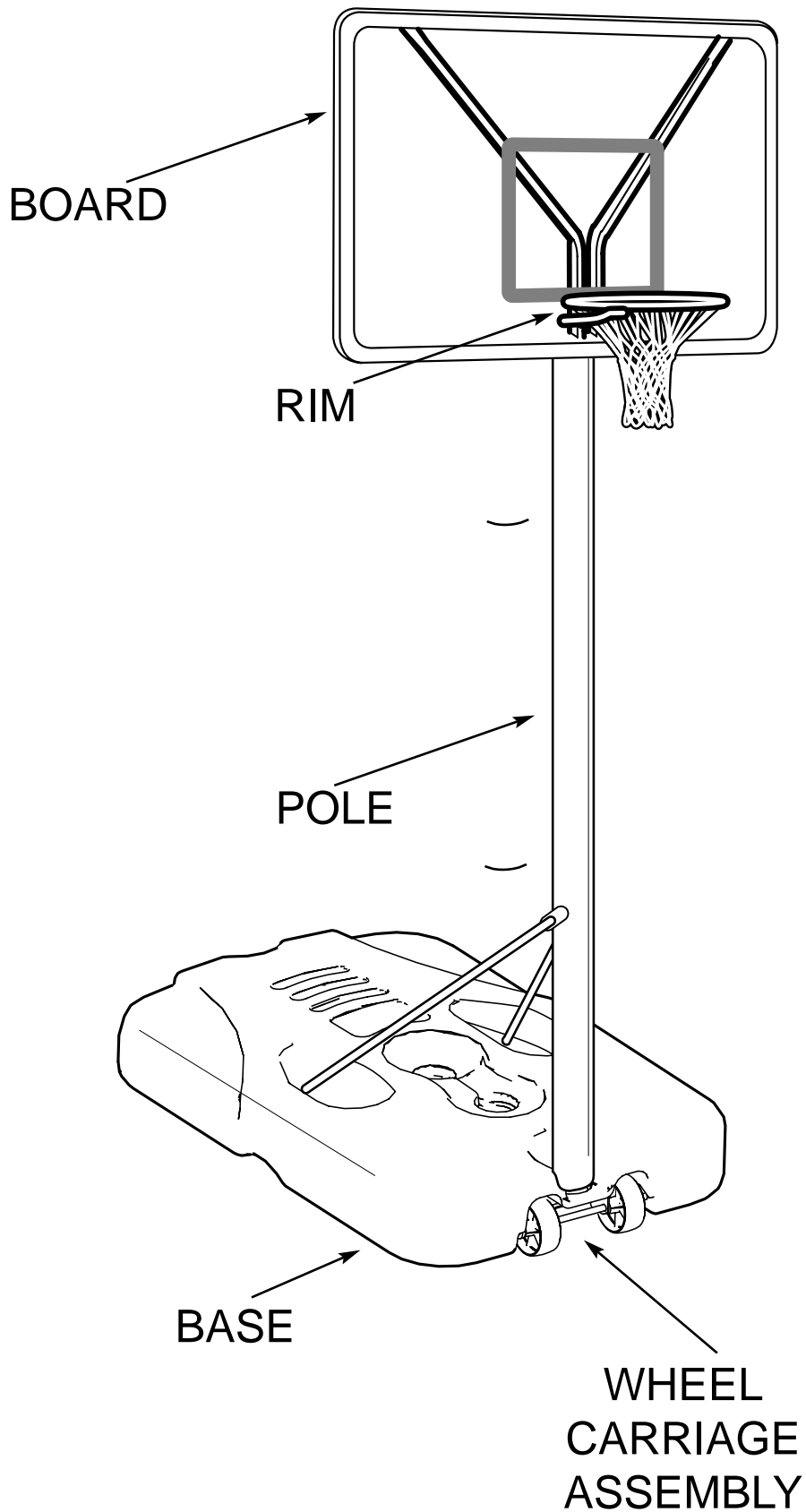


24. Board Spacer-Qty (2)



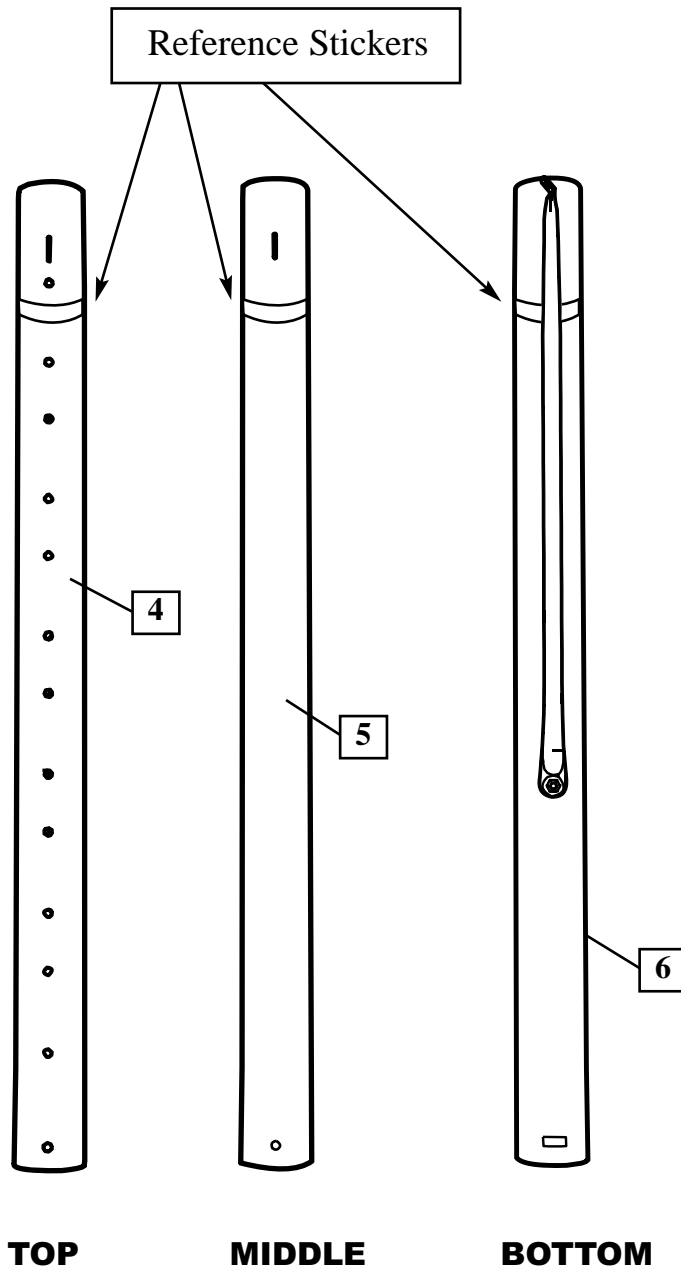
17. Knob-Qty (4)

Get to know the basic parts of your basketball system.....



1.

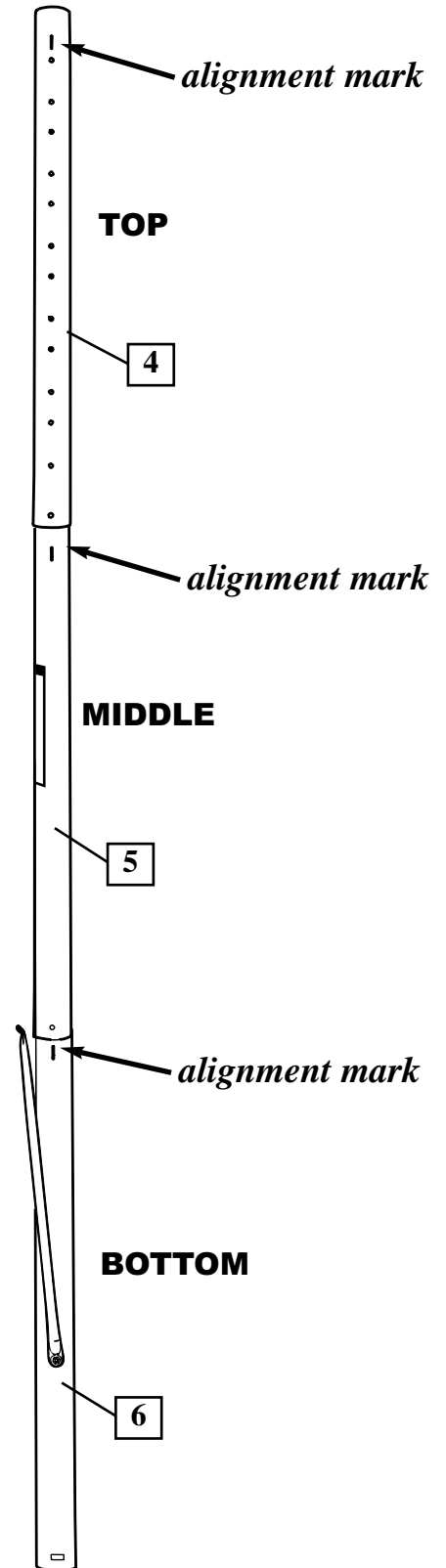
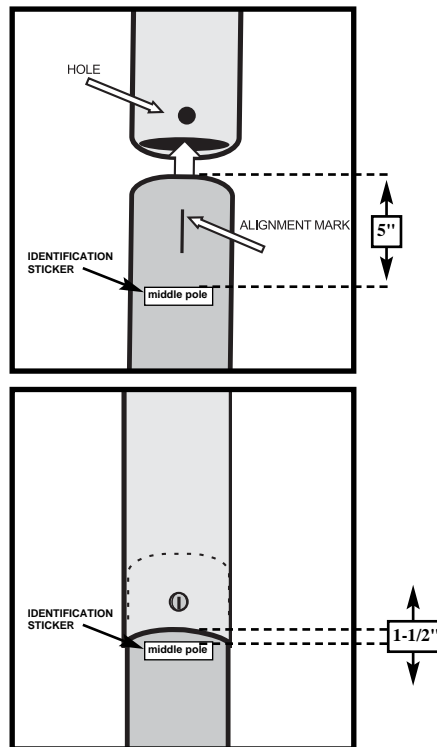
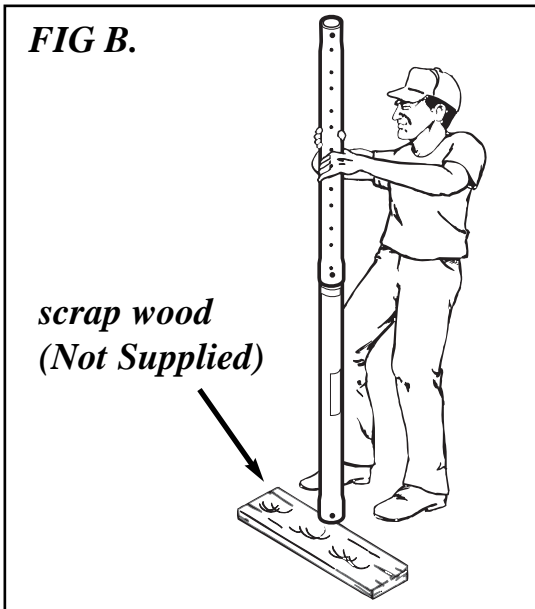
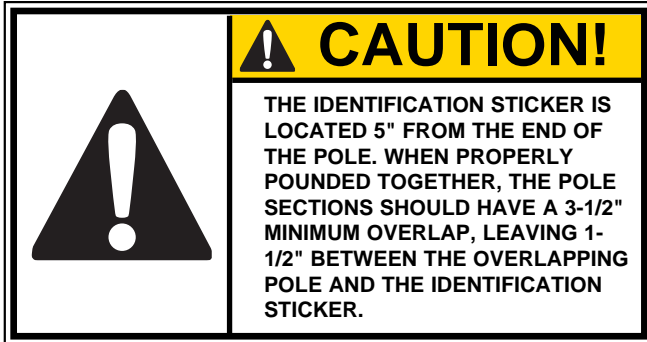
Correctly identify each pole section. Poles have an identification sticker that will be used as a reference point in the next step.



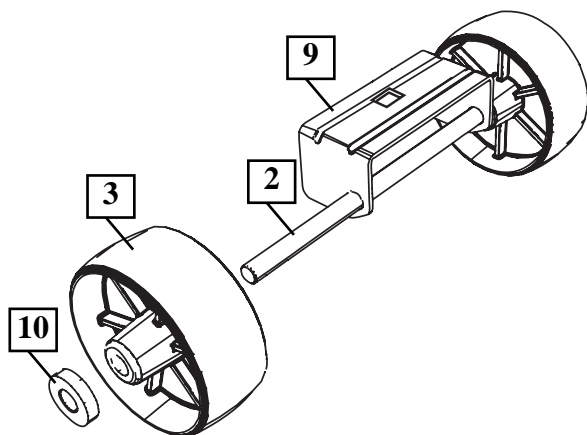
IMPORTANT!

ONCE POLE SECTIONS ARE POUNDED TOGETHER- THEY CANNOT BE TAKEN APART

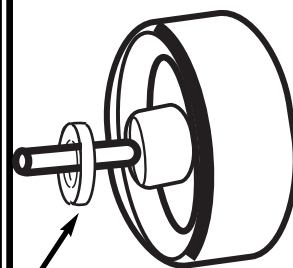
- 2.** Align poles using *alignment marks*. First, pound top and middle poles together by bouncing them on a scrap piece of wood on the ground as shown in **FIG B**. until they no longer move toward pole identification stickers. **THEN** add bottom pole section and pound together in the same way.



- 3.** Install wheel axle (2) through wheel bracket (9) and install wheels (3) onto wheel axle (2) with spacers (10) as shown.

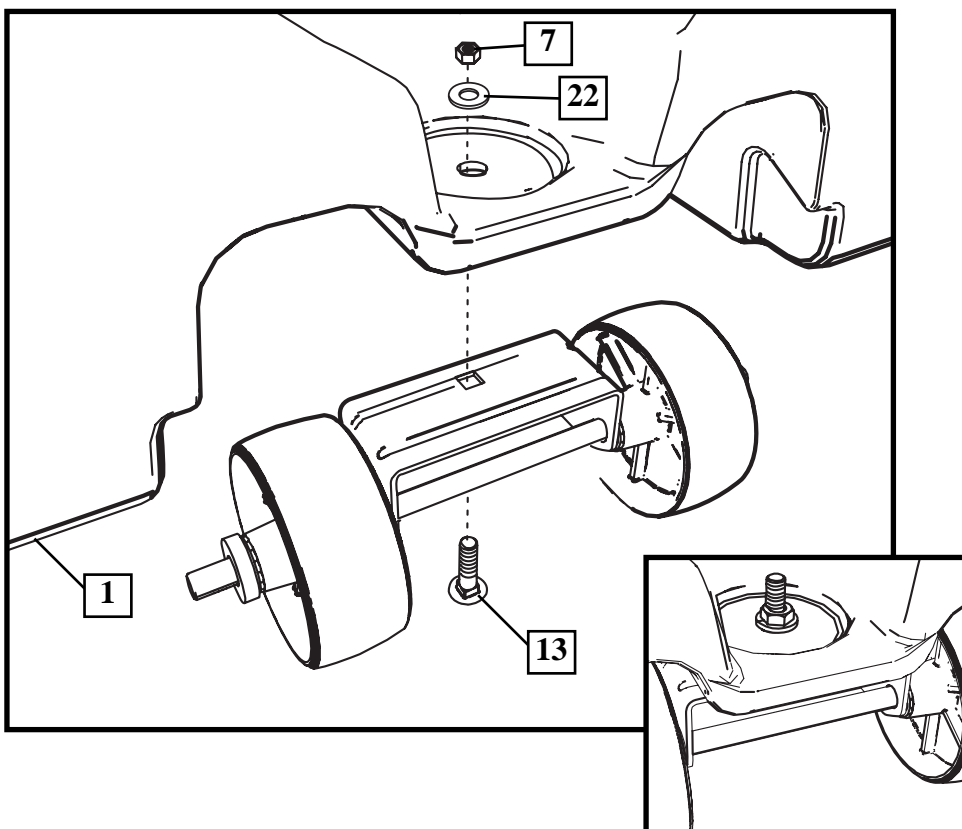


IMPORTANT!:

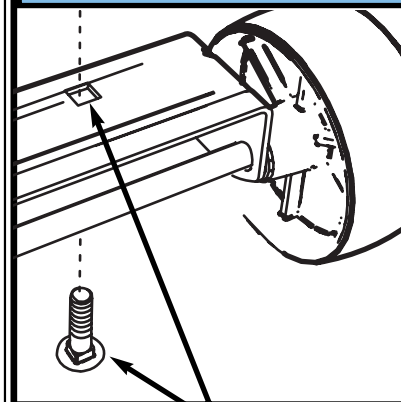


THE SPACER (10) WILL FIT LOOSELY UNTIL SECURED INTO THE CAVITY OF THE BASE.

- 4.** Attach wheel carriage assembly to base (1) with bolt (13), washer (22), and nut (7) as shown. FINGER TIGHTEN - NO TOOLS REQUIRED. Assembly will be fully tightened in next step.



IMPORTANT!:




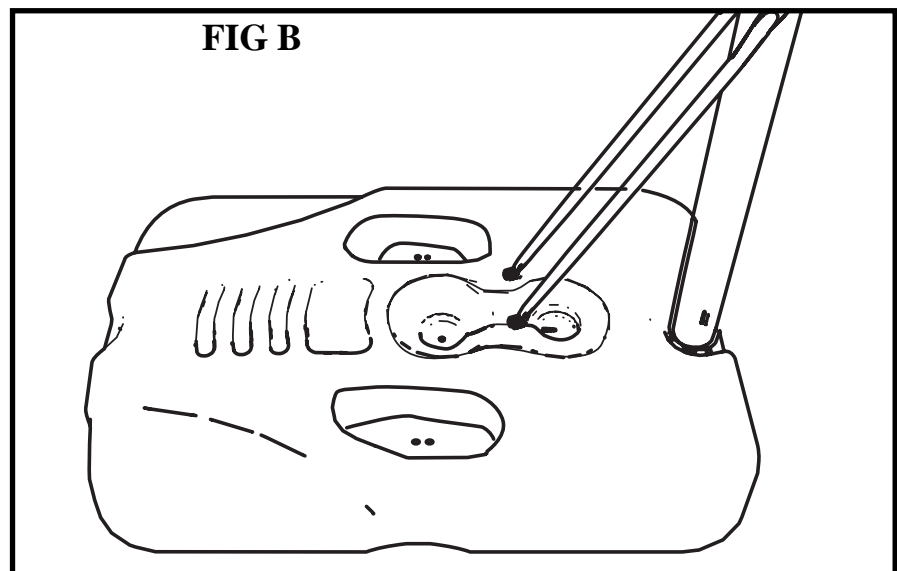
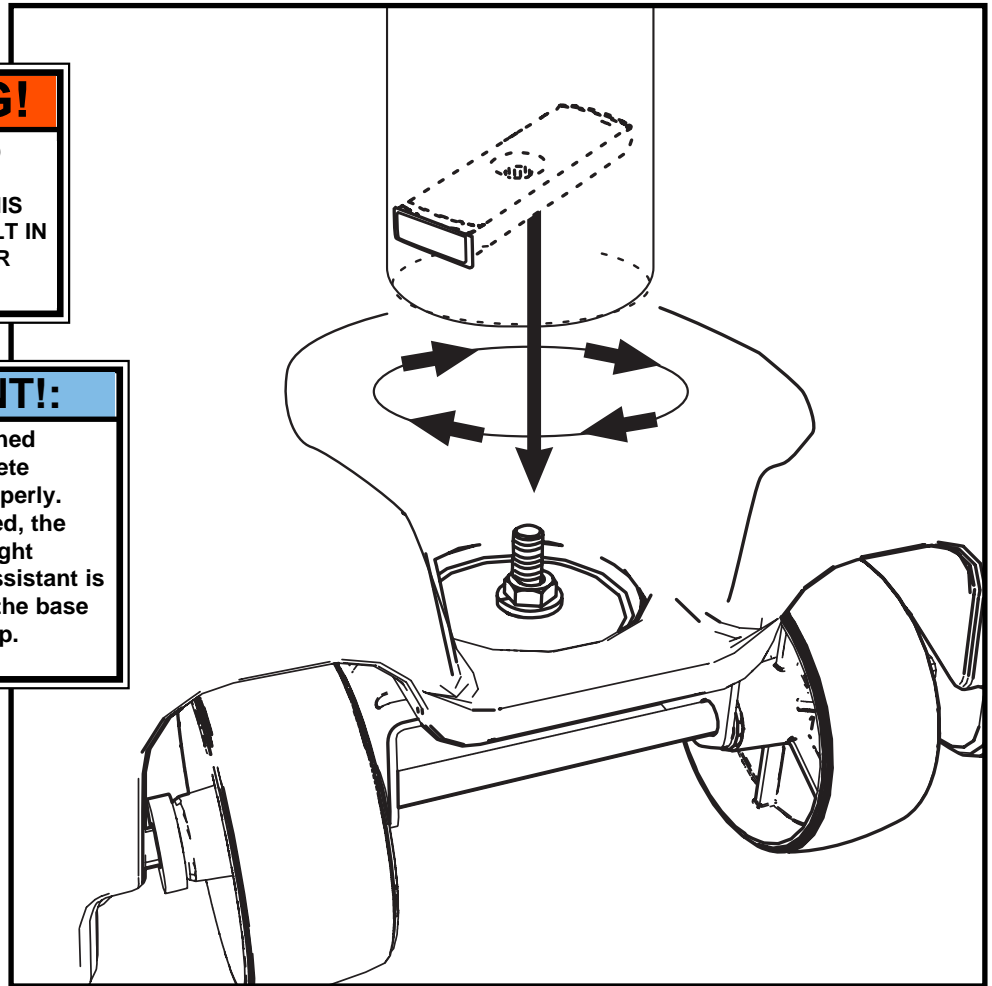
BE SURE THAT THE SQUARE PORTION OF THE CARRIAGE BOLT IS PROPERLY SEATED IN THE SQUARE CUT-OUT OF THE WHEEL BRACKET.

5.

Attach pole assembly to tank assembly as shown. Secure pole assembly to tank and wheel bracket by turning the pole assembly clockwise as shown. Tighten pole completely and further rotate pole until struts are aligned correctly as shown in **FIG B**.

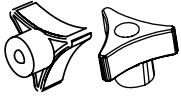
	! WARNING!
	TWO PEOPLE REQUIRED FOR THIS PROCEDURE. FAILURE TO FOLLOW THIS WARNING COULD RESULT IN SERIOUS INJURY AND/OR PROPERTY DAMAGE.

	IMPORTANT!
	The pole should be turned approximately 7 complete rotations to tighten properly. When properly tightened, the wheel bracket will be tight against the base. An assistant is recommended to hold the base in place during this step.



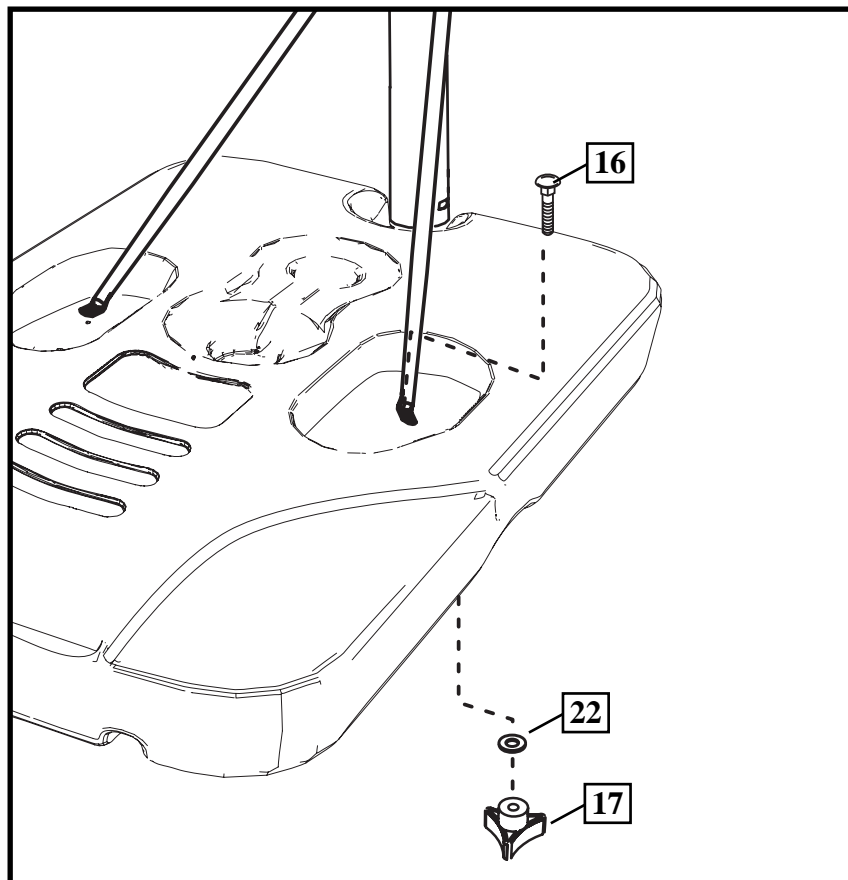
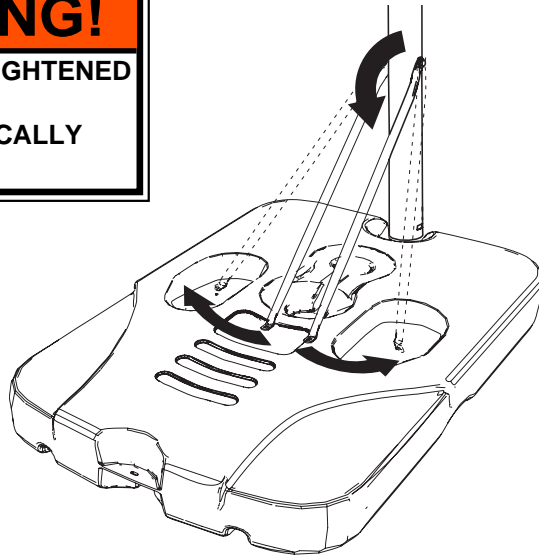
6.

Rotate struts down and bend struts outward to line up with holes on base as shown. Secure free ends of tank struts to tank with carriage bolt (16), washer (22), and knob (17) as shown. Repeat for other side.



! WARNING!

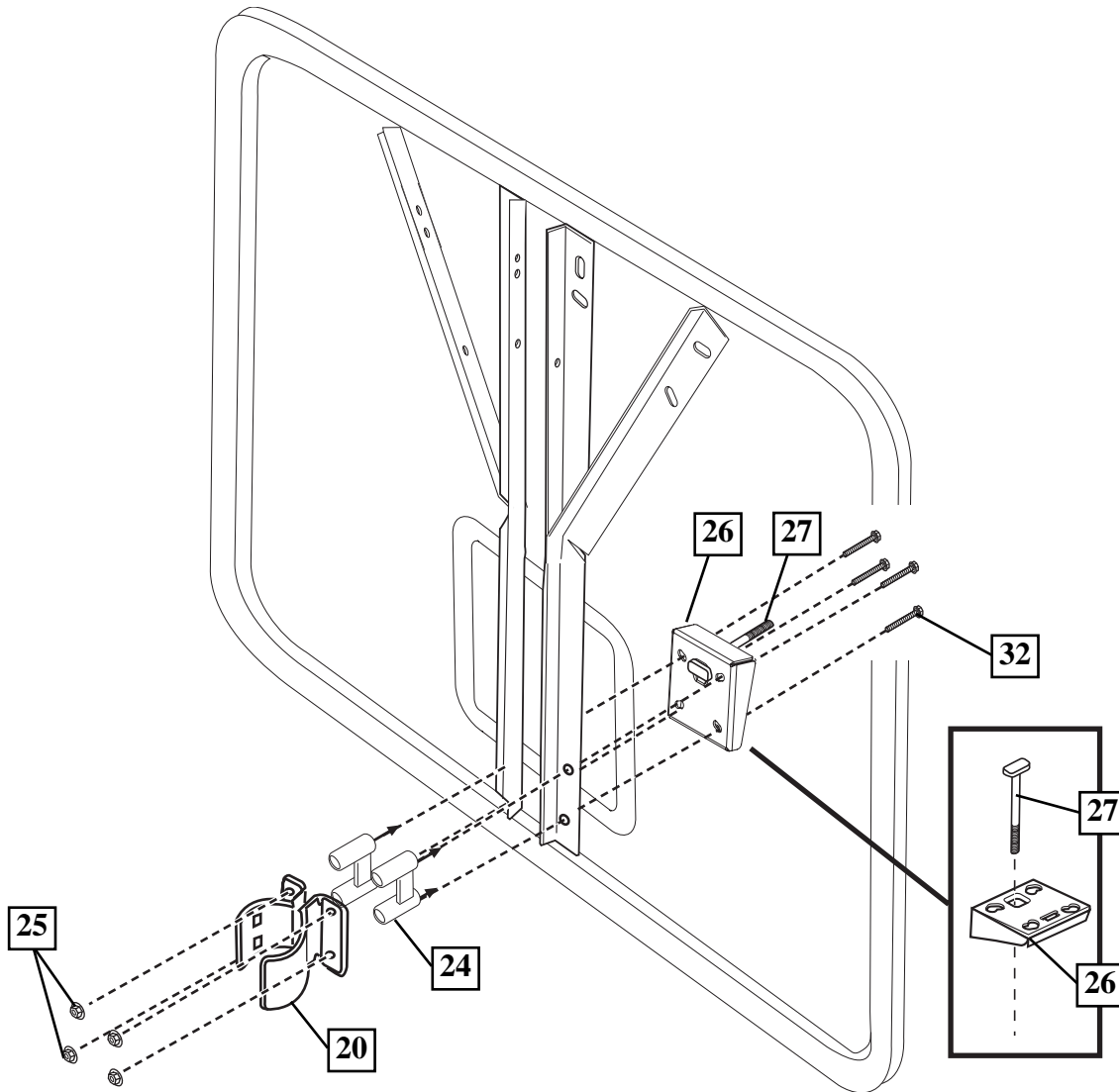
KNOBS MUST BE TIGHTENED COMPLETELY AND CHECKED PERIODICALLY FOR TIGHTNESS.



7.

Mount brackets (20 & 26) to backboard and finger tighten as shown.

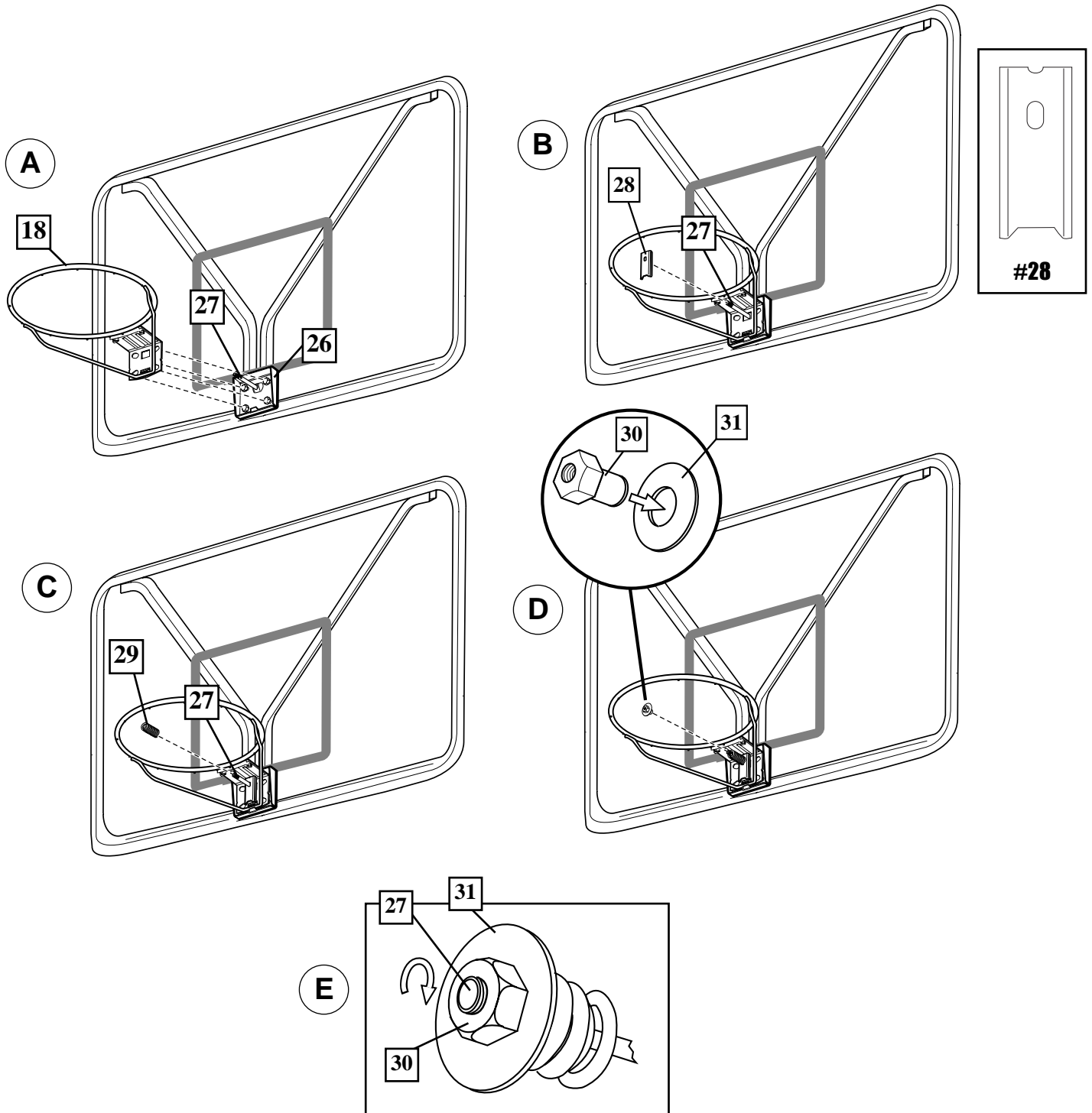
NOTE: Final adjustments will be made in Step 10.



8.

Install Slam Jam Rim to Backboard

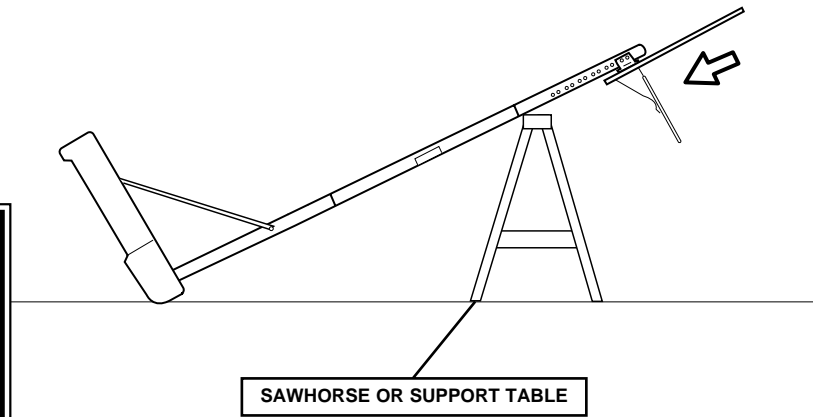
- A • Fit rim (18) securely into bracket (26) as shown (Allow "T"-bolt (27) to slip through center hole in rim (18)).
- B • Install reinforcement bracket (28) onto "T" bolt (27) as shown.
- C • Install spring (29) onto "T" bolt (27) as shown.
- D • Install special nut (30) and washer (31) onto "T" bolt (27).
- E • Tighten nut (30) until flush with end of "T" bolt (27).



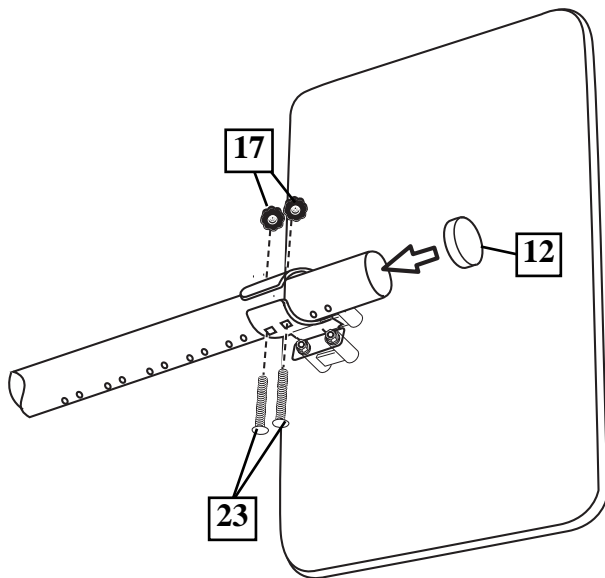
9. Support pole and tank assembly over support table. Carefully slide backboard components onto pole.

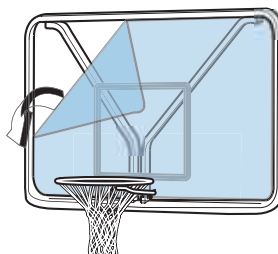
	! WARNING!
	TWO PEOPLE REQUIRED FOR THIS PROCEDURE. FAILURE TO FOLLOW THIS WARNING COULD RESULT IN SERIOUS INJURY AND/OR PROPERTY DAMAGE.

	! WARNING!
	DO NOT LEAVE ASSEMBLY UNATTENDED WHEN EMPTY; IT MAY TIP OVER.



10. While still in the horizontal position, carefully slide backboard components onto pole. Secure hardware at desired position as shown and tighten all hardware completely at this time.

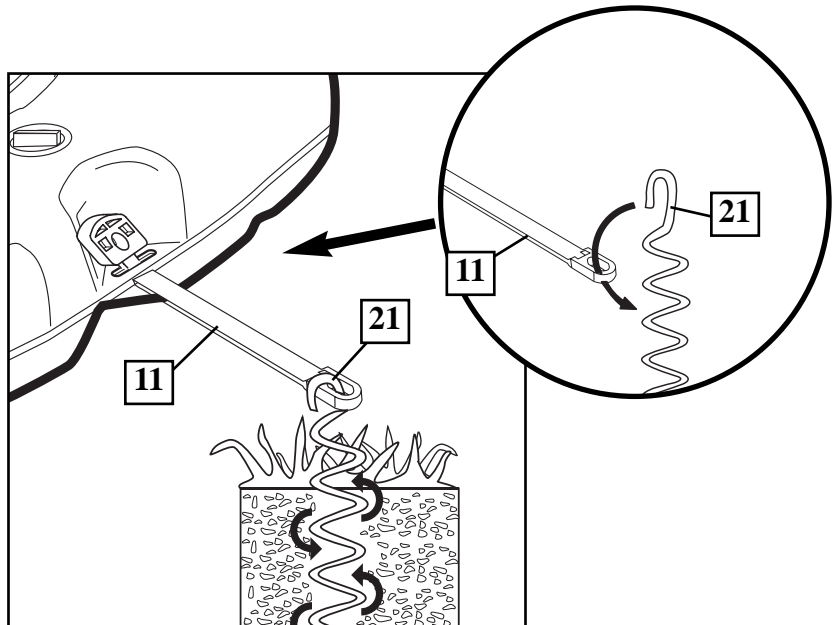
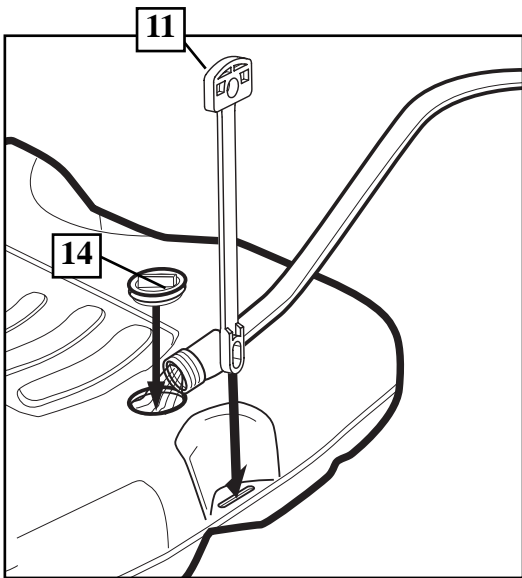
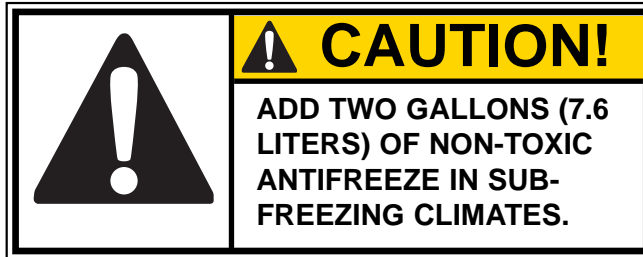


	NOTE:
	Peel protective film from surface of acrylic backboard prior to use.

11.

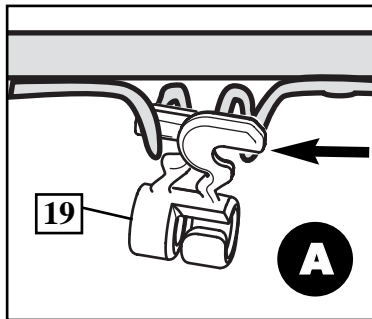
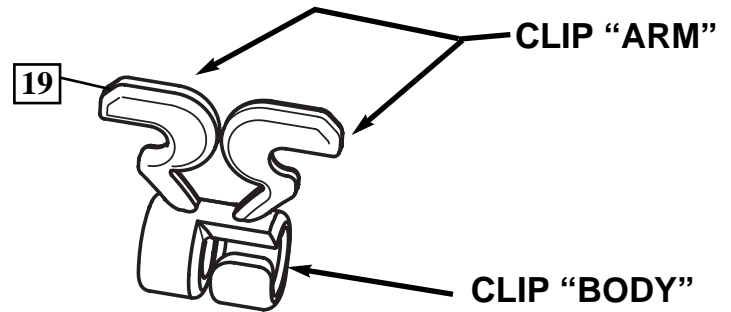
Place assembled unit in desired location. Fill tank with water (26 gallons/98.4 liters) or sand (approx. 360 lb./163 kg) and snap tank cap (14) in place.

Insert T-strap (11) through slot on back of base as shown. Secure unit to ground by twisting tie down stake (21) into ground and hooking T-strap (11) onto tie down stake (21).



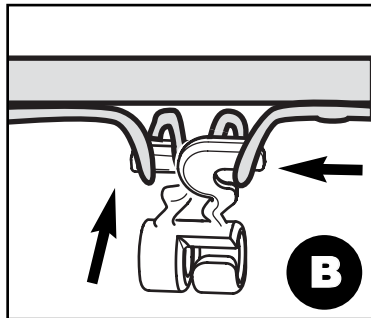
12.

Attach net clips to rim as shown.

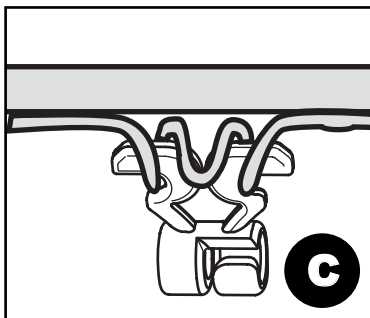


Insert one "arm" of clip into rim as shown. Twist "body" of clip slightly so that second "arm" slides over the top of the first "arm" as shown.

Push in direction indicated by arrows.

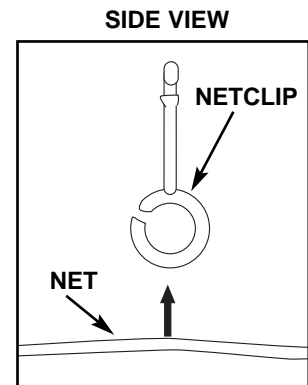
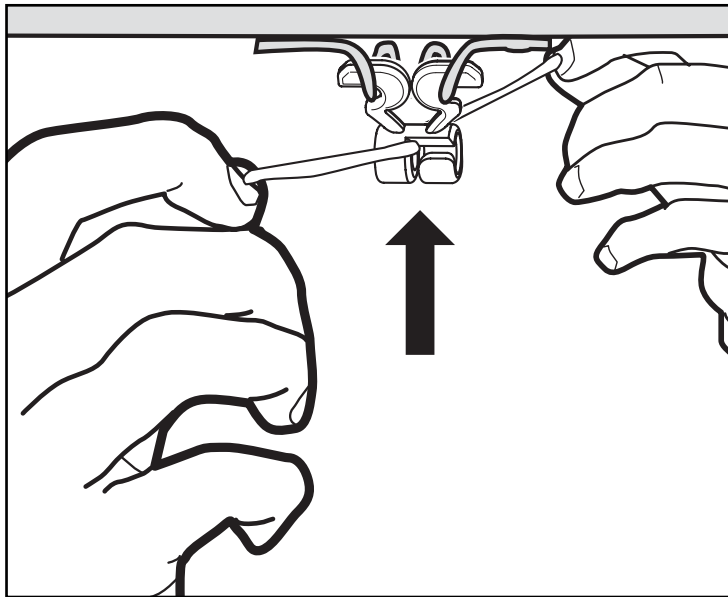


Push second "arm" back and into rim as shown.

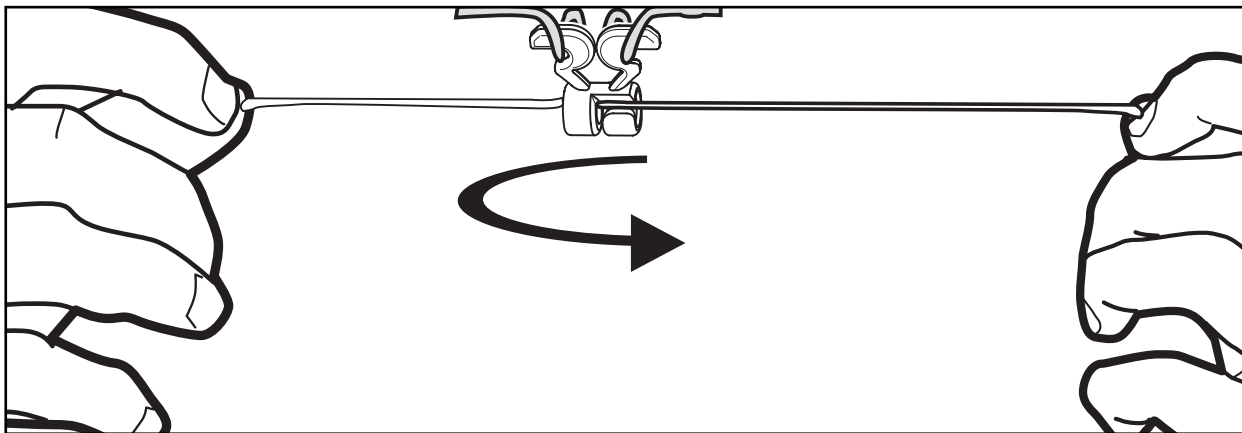


Twist "body" of clip slightly again to spread "arms" of clip. Clip "arms" must be flat and touching edge to edge as shown, not overlapping.

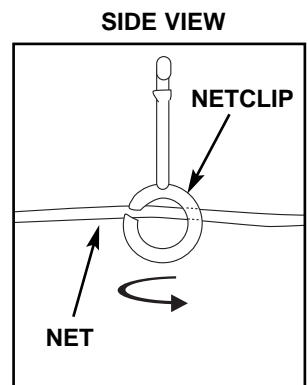
13. Install net.



Insert net into bottom of clip as shown.



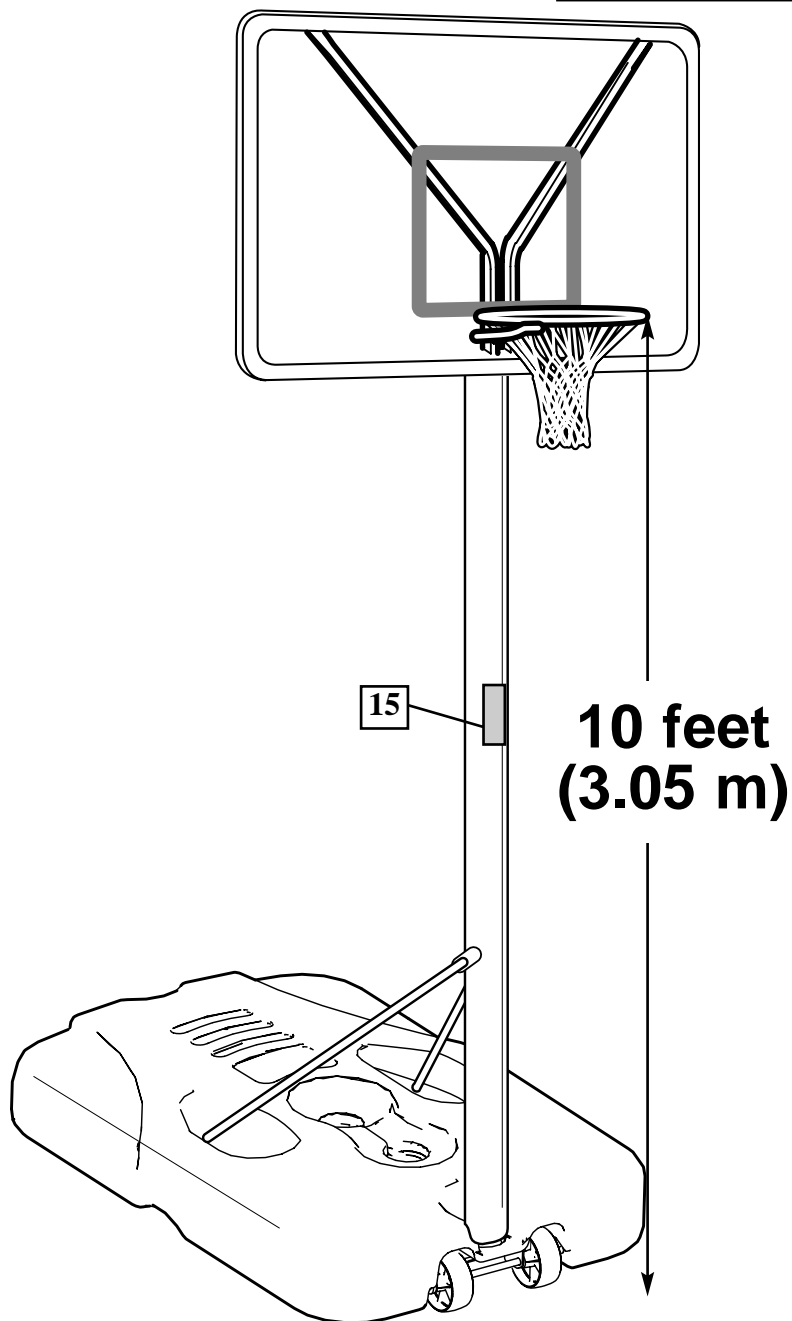
Twist net until it snaps into position.
Net must be centered through clip.



14.

Attach height and moving label (15) to front of pole as shown. Regulation rim height is 10 feet.

<p>HEIGHT ADJUSTMENT</p> <p>Read and/or adjust label. Remove a distance label to adjust height. The height of the rim is 10 feet (3.05 m).</p> <p>WARNING</p> <p>Do not adjust the height of the rim while the basketball hoop is in use. The rim is heavy and can fall if not properly supported.</p> <p>MOVING SYSTEM</p> <ol style="list-style-type: none">1. Move the height and moving label to the front of the pole.2. Make sure the label is attached to the pole.3. Carefully move the label to the correct height.4. Make sure the label is attached to the pole.	<p>CAUTION!</p> <p>HEIGHT AND MOVING LABEL MUST NOT OBSTRUCT FACTORY ATTACHED WARNING LABEL.</p>
---	--



Free Manuals Download Website

<http://myh66.com>

<http://usermanuals.us>

<http://www.somanuals.com>

<http://www.4manuals.cc>

<http://www.manual-lib.com>

<http://www.404manual.com>

<http://www.luxmanual.com>

<http://aubethermostatmanual.com>

Golf course search by state

<http://golfingnear.com>

Email search by domain

<http://emailbydomain.com>

Auto manuals search

<http://auto.somanuals.com>

TV manuals search

<http://tv.somanuals.com>