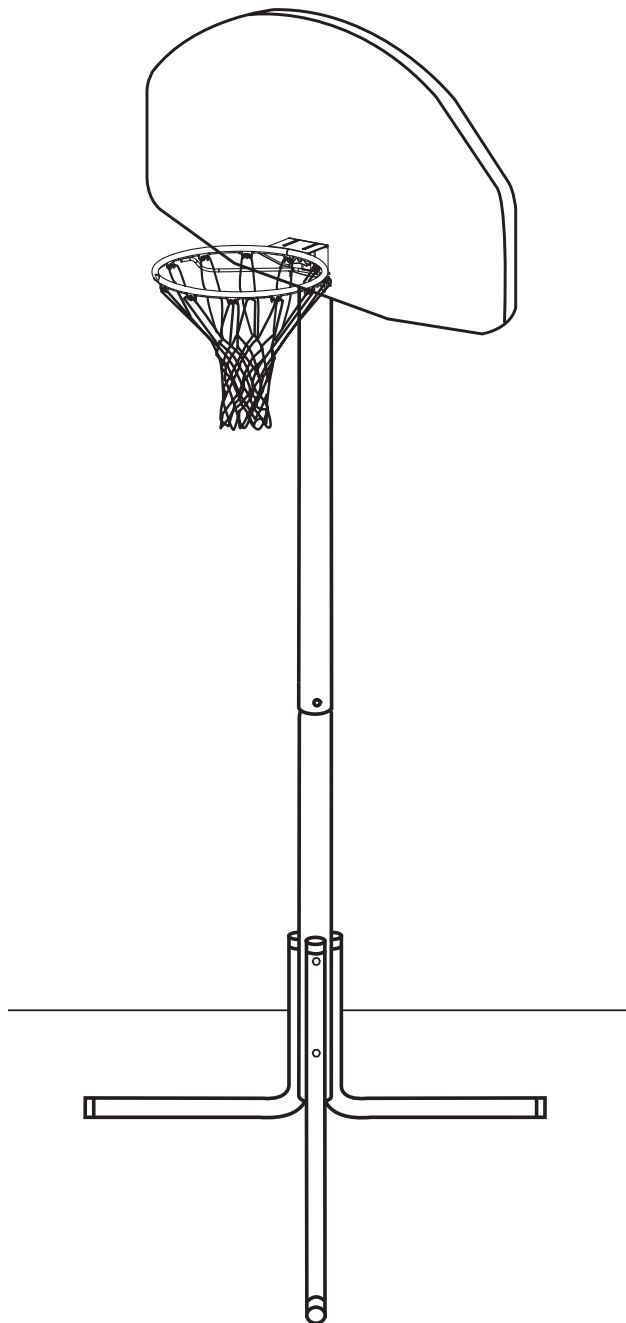


HUFFY® SPORTS

Youth Basketball System Owner's Manual



Toll-Free Customer Service Number for U.S.: 1-800-558-5234
<http://www.huffysports.com>

PARTS LIST



Questions or Missing Parts?

DON'T go back to store!

Call TOLL-FREE Customer Service
Number listed on the front page!

<u>Item</u>	<u>Qty.</u>	<u>Part No.</u>	<u>Description</u>
1	1	900265	Top Pole Section
2	1	900266	Middle Pole Section
3	1	900267	Bottom Pole Section
4	2	900268	Leg, High Holes
5	2	900270	Leg, Low Holes
6	2	201358	Screw, Self Tapping, 6-18, .50 Long
7	4	201362	Cap, Pole, Plastic, Male
8	4	201363	Cap, Pole, Plastic, Female
9	20	201364	Washer, Flat, .25 I.D., .50 O.D.
10	2	203092	Bolt, Hex, 1/4-20 x 1.75" Long
11	4	204591	Bolt, Hex, 1/4-20 x 1.125" Long
12	10	206723	Bolt, Hex, 1/4-20 x 3.625" Long
13	4	266102	Locknut, Nylon Insert
14	2	201360	Bracket, Board Mounting
15	1	908175	Plate, Mounting
16	1		Net
17	1		Rim
18	2	204589	Wrench
19	2	204590	Screwdriver, Phillips
20	4	203493	Lockut, Nylon Insert, 1/4-20

* YOU MAY HAVE EXTRA PARTS WITH THIS MODEL.

Write Model Number
From Box Here:



! WARNING!

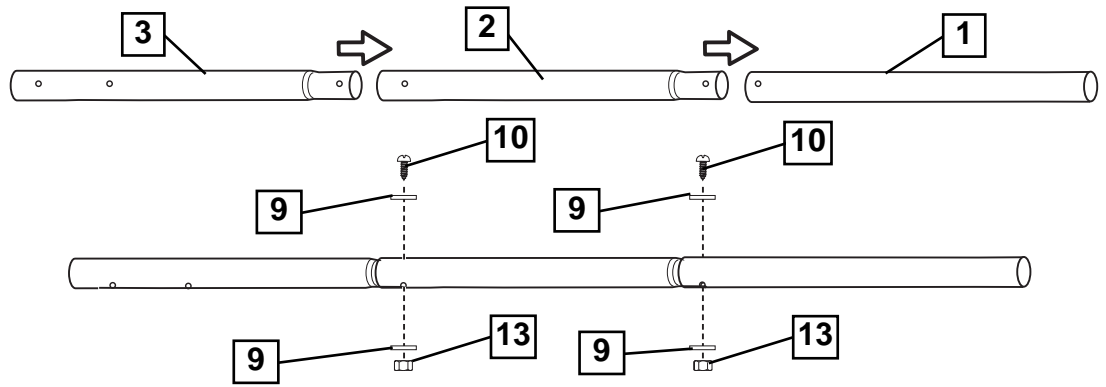
READ AND UNDERSTAND
OPERATOR'S MANUAL
BEFORE USING THIS UNIT.

FAILURE TO FOLLOW
OPERATING
INSTRUCTIONS COULD
RESULT IN INJURY OR
DAMAGE TO PROPERTY.

1.

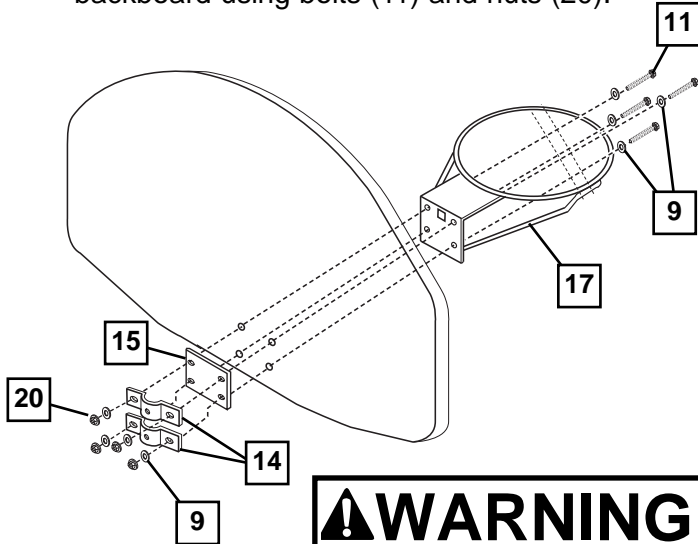
Correctly identify the pole sections. Line up holes as shown and tap together.

NOTE: Make sure holes remain lined up. Secure poles as shown.



2.

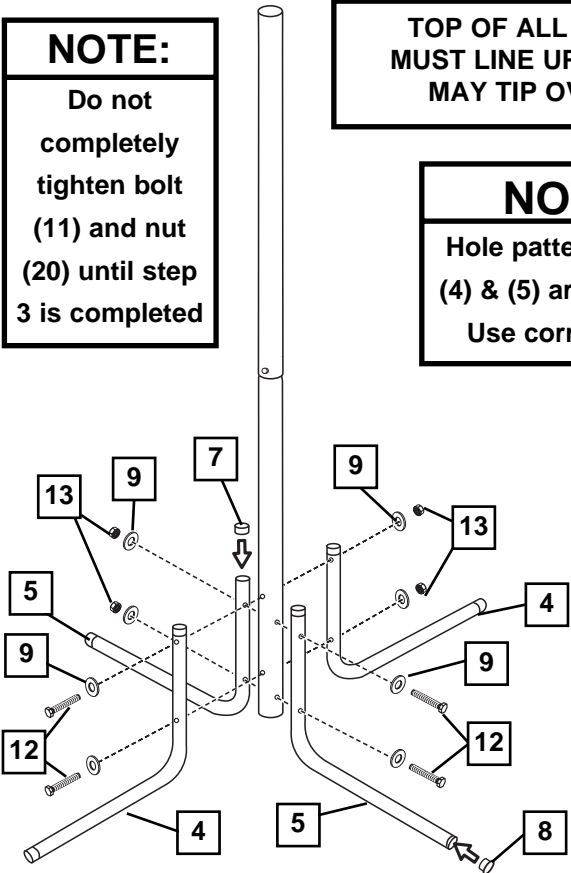
Attach legs to pole assembly using bolts (8) and nuts (13). Attach rim and board bracket to backboard using bolts (11) and nuts (20).



WARNING
TOP OF ALL LEGS MUST LINE UP, OR IT MAY TIP OVER.

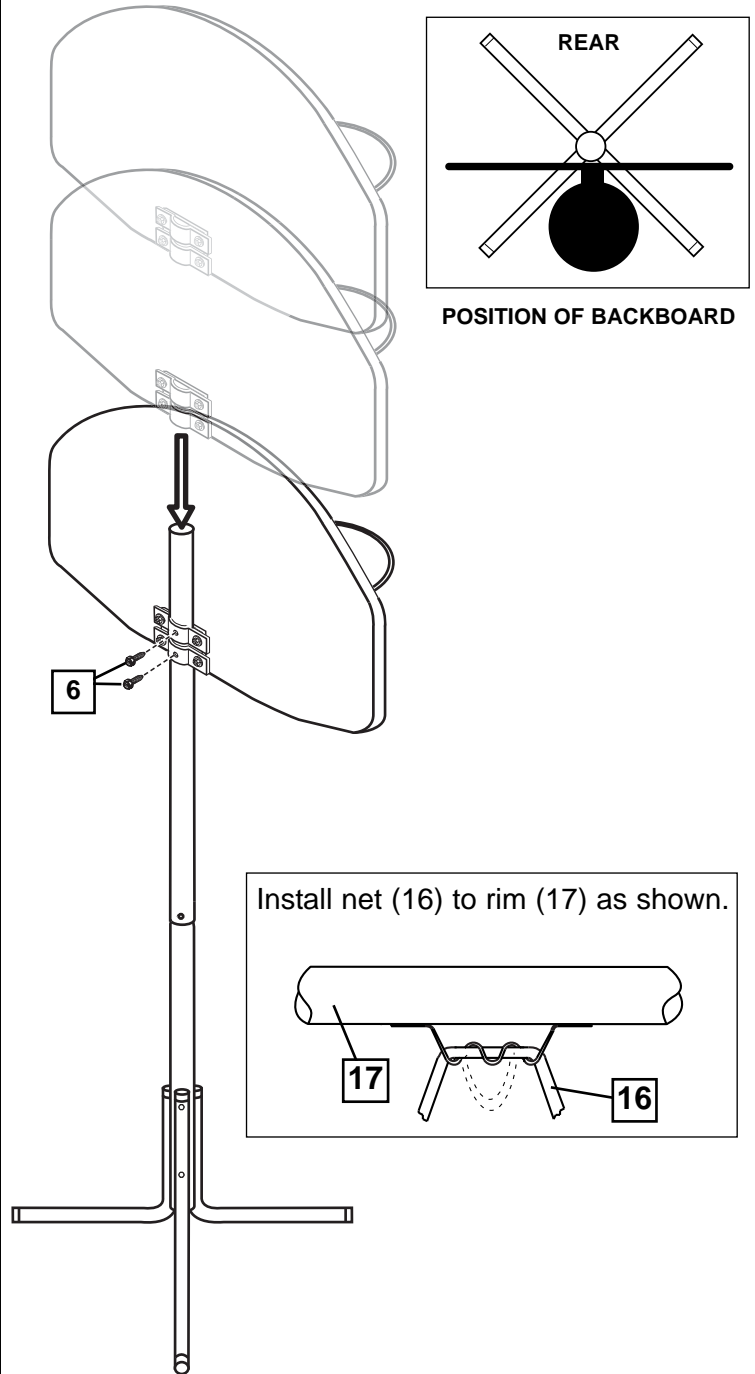
NOTE:
Do not completely tighten bolt (11) and nut (20) until step 3 is completed

NOTE:
Hole pattern on legs (4) & (5) are different. Use correct legs.



3.

Slide backboard assembly over top pole as shown *fully tightening* bolts (11) and nuts (20). Secure board by inserting screws (6) as shown.



Install net (16) to rim (17) as shown.

Free Manuals Download Website

<http://myh66.com>

<http://usermanuals.us>

<http://www.somanuals.com>

<http://www.4manuals.cc>

<http://www.manual-lib.com>

<http://www.404manual.com>

<http://www.luxmanual.com>

<http://aubethermostatmanual.com>

Golf course search by state

<http://golfingnear.com>

Email search by domain

<http://emailbydomain.com>

Auto manuals search

<http://auto.somanuals.com>

TV manuals search

<http://tv.somanuals.com>