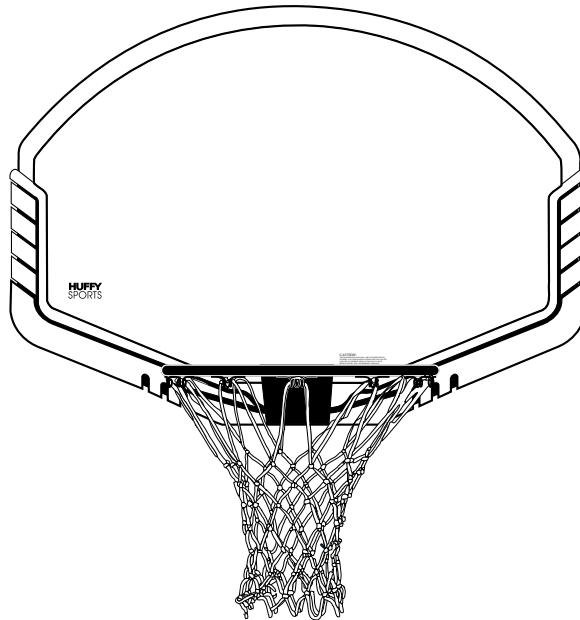


HUFFY[®]SPORTS

Backboard and Rim Owners Manual

Customer Service Center

• N53 W24700 South Corporate Circle • Sussex, WI 53089 • U.S.A.



! WARNING!

READ AND UNDERSTAND
OPERATOR'S MANUAL
BEFORE USING THIS UNIT.

FAILURE TO FOLLOW
OPERATING INSTRUCTIONS
COULD RESULT IN INJURY
OR DAMAGE TO PROPERTY.

REQUIRED TOOLS AND MATERIALS:

- Step Ladder 8 ft. (2.4M)
- (Two) 1/2" Wrenches
- Adjustable Wrench

Toll-Free Customer Service Number for U.S: **1-800-558-5234**,

For Canada: **1-800-284-8339**,

For Europe: **00 800 555 85234** (Sweden: **009 555 85234**),

For Australia: **1-800-333 061**

Internet Address: <http://www.huffysports.com>

SAFETY INSTRUCTIONS

FAILURE TO FOLLOW THESE SAFETY INSTRUCTIONS MAY RESULT IN SERIOUS INJURY, PROPERTY DAMAGE AND WILL VOID WARRANTY.

Owner must ensure that all players know and follow these rules for safe operation of the system.

To ensure safety, do not attempt to assemble this system without following the instructions carefully. Proper and complete assembly, use and supervision is essential for proper operation and to reduce the risk of accident or injury. A high probability of serious injury exists if this system is not installed, maintained, and operated properly. Check entire box and inside all packing material for parts and/or additional instructional material. Before beginning assembly, read the instructions and identify parts using the hardware identifier and parts list in this document.

- Read and understand the warning label enclosed with hardware. It is the responsibility of the customer to mount this label. It should be affixed to the pole, wall, or door near playing area, at a height between 4-6 feet (1.22-1.83M) above ground level and in a location visible to all players.
- During assembly, if using a ladder use extreme caution. Two people are recommended for this operation.
- If technical assistance is required, contact Huffy Sports.
- Serious injury could occur if teeth/face come in contact with backboard, net or rim.
- Minimum operational height should be 6'6" (2M) to the bottom of backboard.

*Most injuries are caused by misuse and/or not following instructions.
Use caution when using this system.*

For more information on assembly, placement, proper use and maintenance, visit The American Basketball Council website at <http://www.smarthoops.com>.

WARNING

FAILURE TO FOLLOW THESE WARNINGS MAY RESULT IN SERIOUS INJURY AND/OR PROPERTY DAMAGE.

Owner must ensure that all players know and follow these rules for safe operation of the unit.

- See instruction manual for proper installation and maintenance.
- Use caution when performing dunk type activities on this unit.
- Do not hang from any part of unit, including backboard, support braces, rim or net.
- Check unit before each use for loose hardware, excessive wear and signs of corrosion and repair before using.
- During play, use extreme caution to keep player's face away from the backboard, rim or net. Serious injury could occur if teeth/face come in contact with backboard, rim or net.
- During play, do not wear jewelry (rings, watches, necklaces, etc.) Objects may entangle in net.

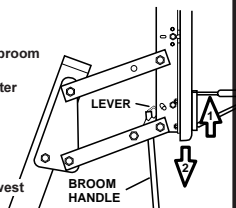
HUFFY SPORTS

In the U.S.: 1-800-558-5234 and Canada Only: 1-800-284-8339
In Australia: 1-800-632-792 206118 5/97

HEIGHT ADJUSTMENT

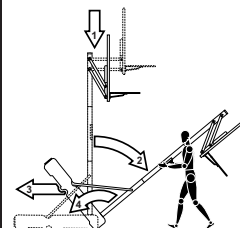
TO ADJUST BACKBOARD:

1. TO RAISE BACKBOARD:
Slowly push up on the rim with broom handle or wooden dowel, 3/4" - 7/8" (19mm - 22mm) diameter as shown to engage locking mechanism at desired height.
2. TO LOWER BACKBOARD:
Push lever up to unlock and carefully lower backboard to lowest position.



50

MOVING SYSTEM



1. Adjust basketball backboard height to lowest position.
2. While holding pole, rotate basketball system forward until wheels engage with ground.
3. Move basketball system forward to desired location.
4. Carefully rotate basketball system upright.
5. Reattach ground restraint and check system for stability.

201257 3/99



Questions or Missing Parts?

DON'T go back to store!

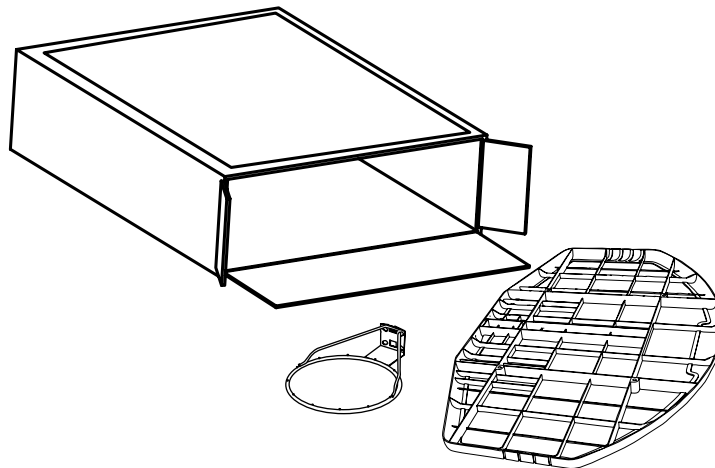
Call TOLL-FREE Customer Service
Number listed on the front page!

NOTICE TO ASSEMBLERS

ALL Huffy Sports Basketball Systems, including those used for DISPLAYS, MUST be assembled and ballasted with sand or water according to the instructions. Failure to follow instructions could result in SERIOUS INJURY. It is NOT acceptable to devise a makeshift weight system.

IMPORTANT!

**Remove all contents from boxes.
Be sure to check inside pole sections;
hardware and additional parts are packed inside.**



WARRANTY CARD:

Please remember to complete your product registration form either on-line at:
www.huffysports.com or mail-in the enclosed postcard.

For more information on assembly, placement, proper use, and maintenance, visit The American Basketball Council website at <http://www.smarthoops.com>.

PARTS LIST - See Hardware Identifier

<u>Item</u>	<u>Qty.</u>	<u>Part No.</u>	<u>Description</u>
1	1	206118	Warning Label
2	4	203113	Hex Flange Bolt 5/16-18 x 2.5 Long
3	2	203038	Bolt, Carriage 5/16-18 x 2.75 Long
4	6	203309	Washer, 1 O.D.
5	6*	203100	Hex Flange Nut, 5/16 x 18
6	1		Rim
7	12*	201219	Clips, Net Holder Smart Clip
8	1		Net
9	1	203365	Rim Spacer

* You may have extra parts with this model.

ASSEMBLY INSTRUCTIONS

IMPORTANT! WRITE MODEL NUMBER FROM BOX ONTO PAGE 1 OF THIS OWNERS MANUAL

- ⚠ WARNING: TWO PEOPLE ARE NECESSARY TO MOUNT THE BACKBOARD ASSEMBLY TO SUPPORT STRUCTURE. ONE PERSON SHOULD NOT ATTEMPT TO DO THIS ALONE.**
- ⚠ WARNING: MOUNTING THE BACKBOARD ASSEMBLY TO THE SUPPORT STRUCTURE IS PERFORMED AT AN ELEVATED HEIGHT. USE PROPER PRECAUTION.**
- ⚠ WARNING: IT IS RECOMMENDED TO MOUNT BACKBOARD TO A SOLID (STEEL) SUPPORT.**

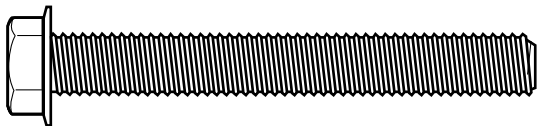
1. Mounting Options "A, B or C"

1. Attach Backboard and rim using one of the options as shown.

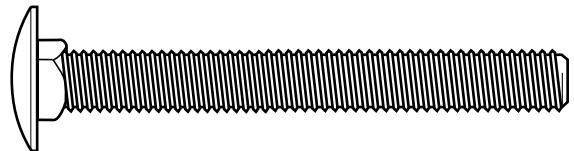
⚠ WARNING: USE OF THIS PRODUCT WITHOUT PROPER INSTALLATION OF SMART CLIPS, OR WHEN ALL SMART CLIPS ARE NOT PRESENT COULD RESULT IN BODILY HARM. BE SURE TO FOLLOW DIRECTIONS CAREFULLY.

2. Install net clips as shown (See Illustration).
3. Install net as shown (See Illustration).
4. Place warning label (1) in location clearly visible within playing area.

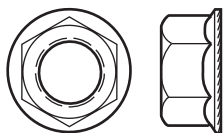
HARDWARE IDENTIFIER



Item #2 (4)



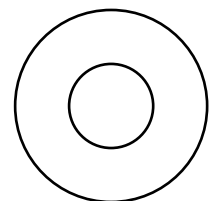
Item #3 (2)



Item #5 (6)*



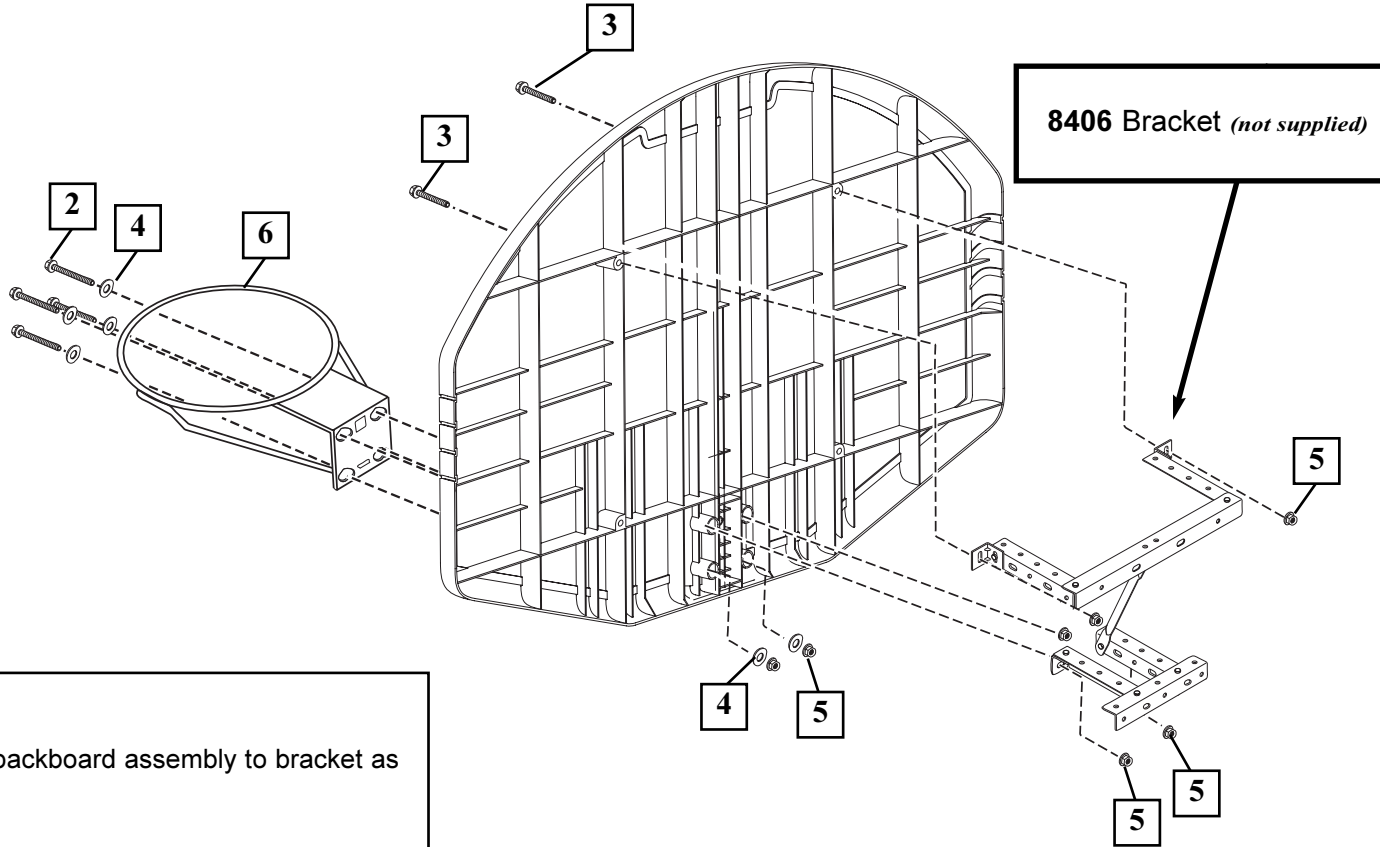
Item #7 (12)



Item #4 (6)

1A.

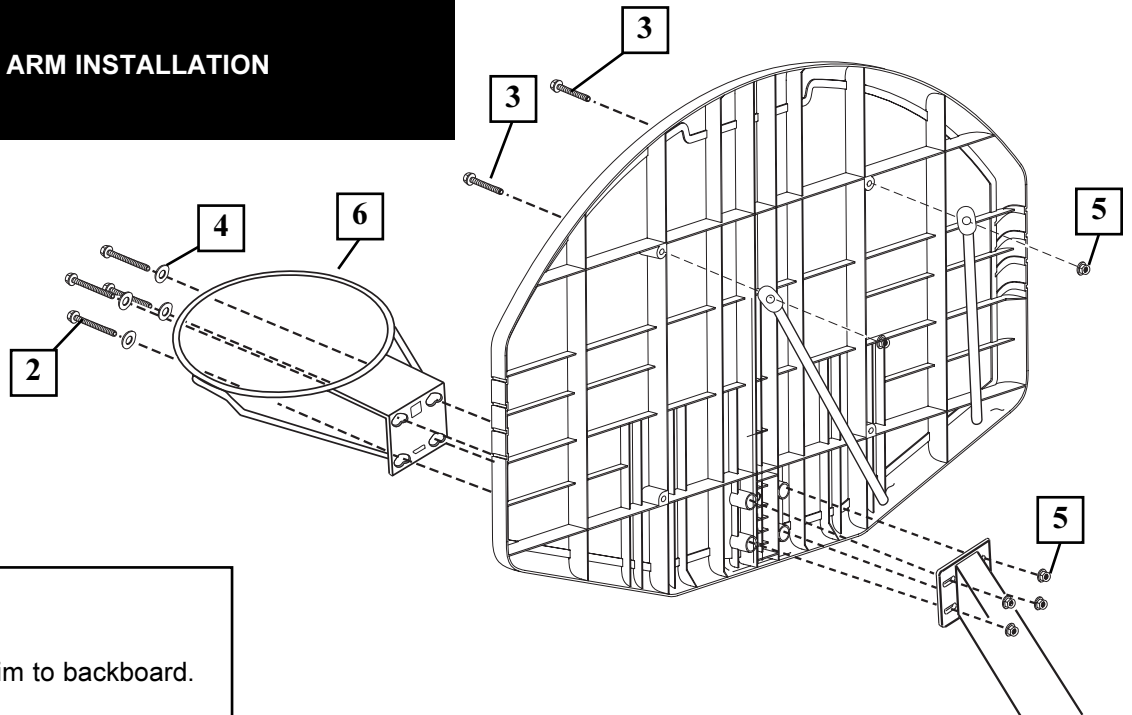
UNIVERSAL MOUNTING BRACKET INSTALLATION



Attach backboard assembly to bracket as shown.

1B.

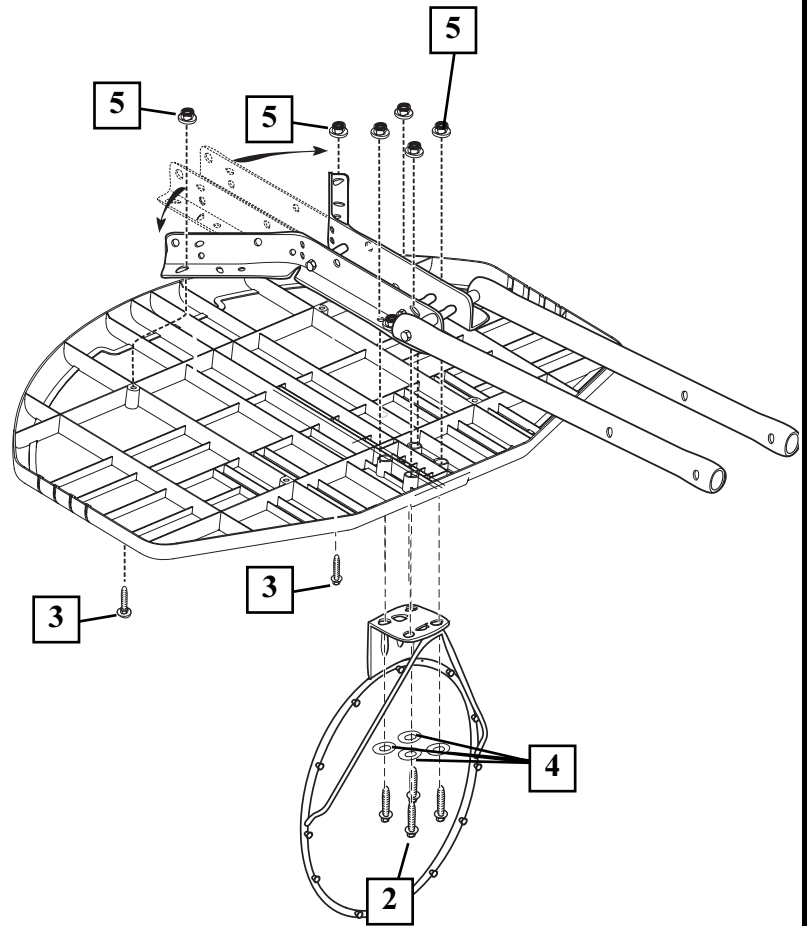
EXTENSION ARM INSTALLATION



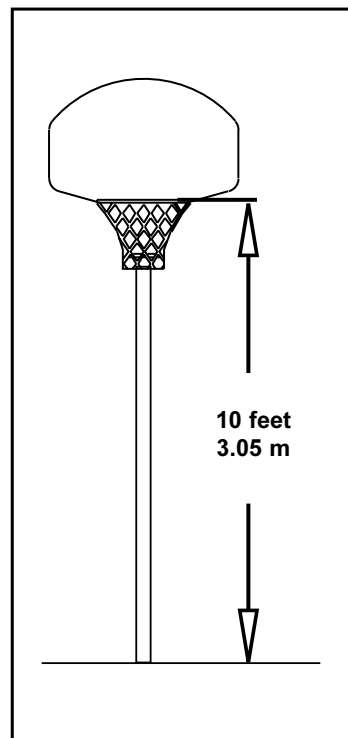
Mount extension arm and rim to backboard.

1C.**ELEVATOR INSTALLATION**

Bend top of backboard brackets (40) outward to match up with holes on the backboard and secure using nuts (17) and bolts (43) as shown. Attach rim (32) to backboard using using bolts (42) and nuts (17) as shown.



**REGULATION RIM HEIGHT
IS 10 FEET (3.05M).**



1D.

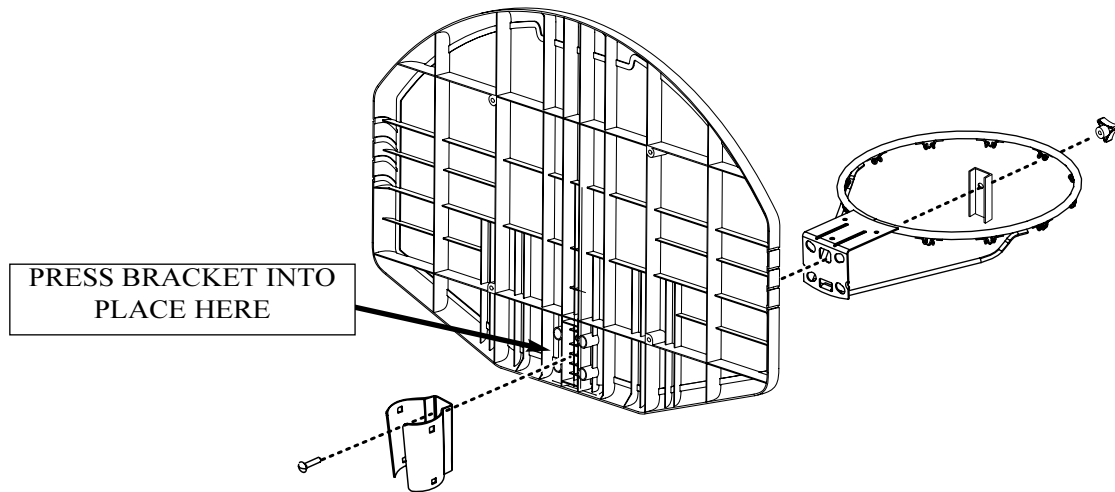
Installop



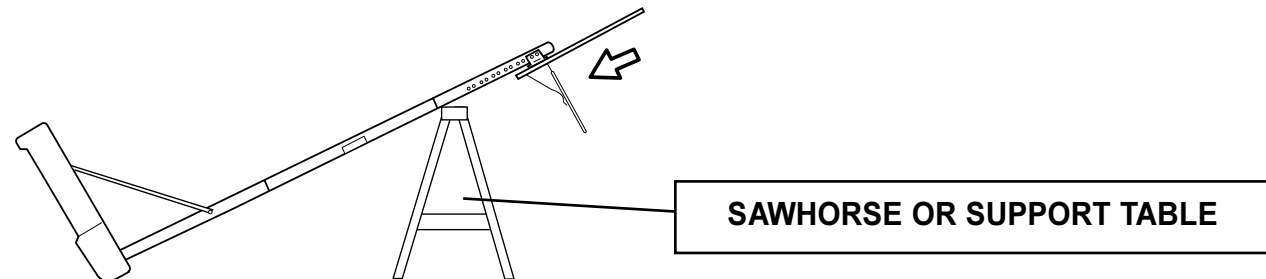
No Tools Required!

INSTALLATION

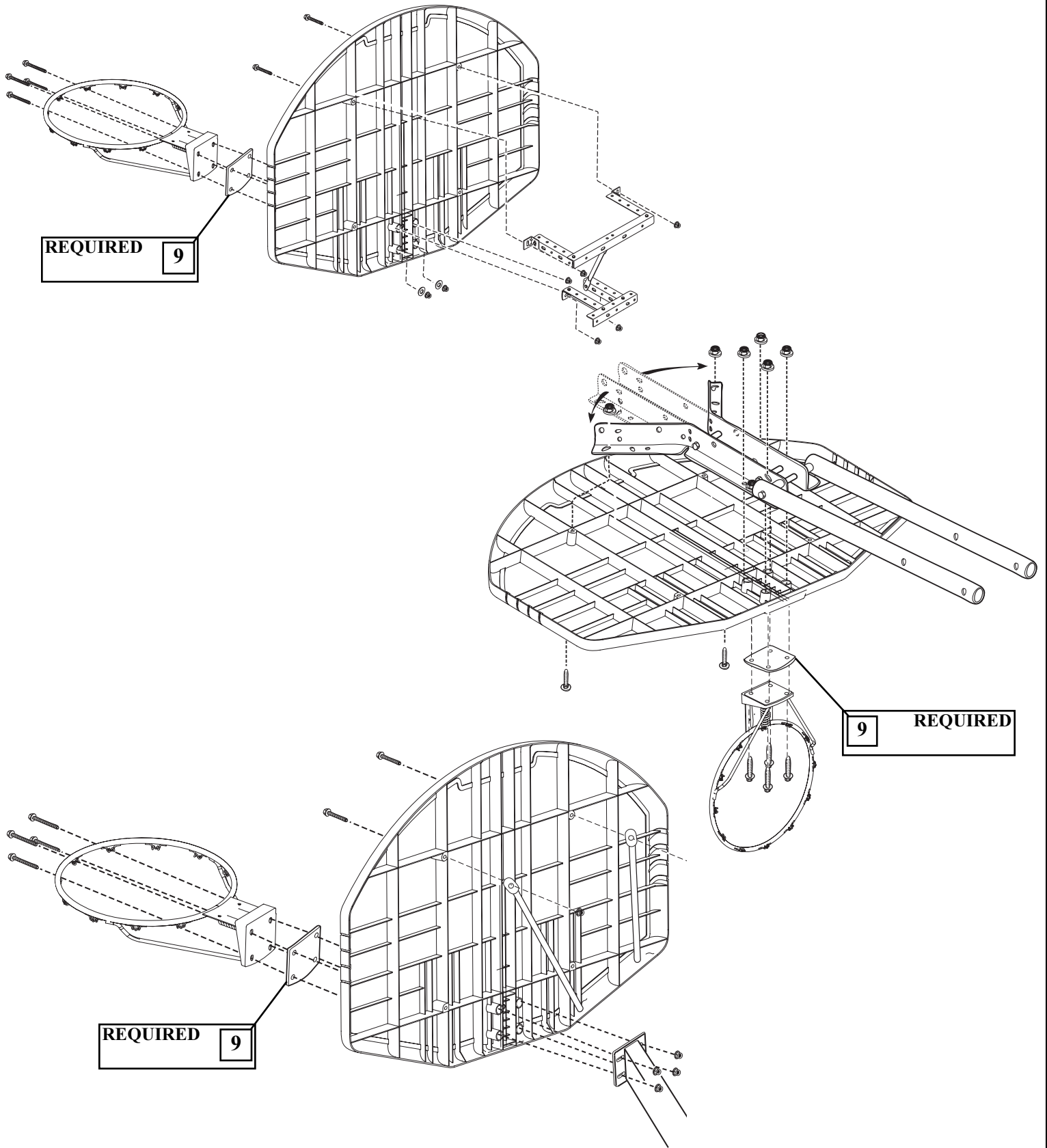
Pole bracket will need to be lightly pressed into backboard ribbing. Be sure to press completely into place. Attach rim to backboard and pole bracket with knob, reinforcement bracket, and carriage bolt as shown. Tighten knob completely.



Carefully tip unit forward and slide backboard assembly onto pole as shown.



ATTACH SLAM JAM RIM (Not Supplied)

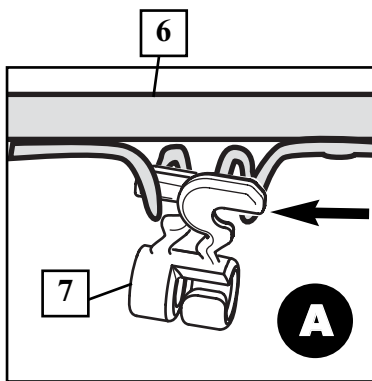
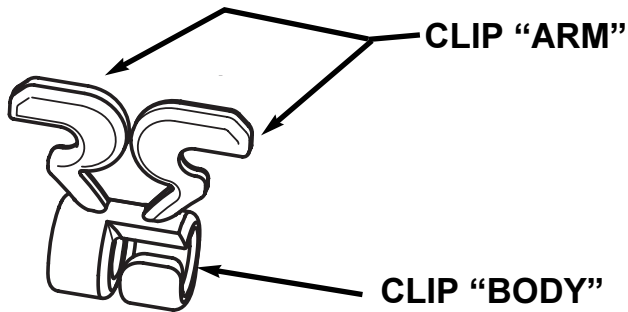


2.

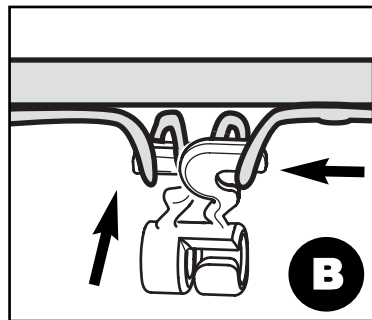
Install net clips.

! WARNING:

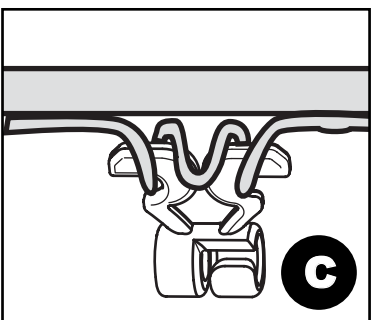
Use of this product without proper installation of net clips, or when all net clips are not present could result in bodily harm. Be sure to follow directions carefully.



Insert one "arm" of clip (19) into ram (18) as shown. Twist "body" of clip slightly so that second "arm" slides over the top of the first "arm" as shown. Push in direction indicated by arrows.



Push second "arm" back and into ram as shown.

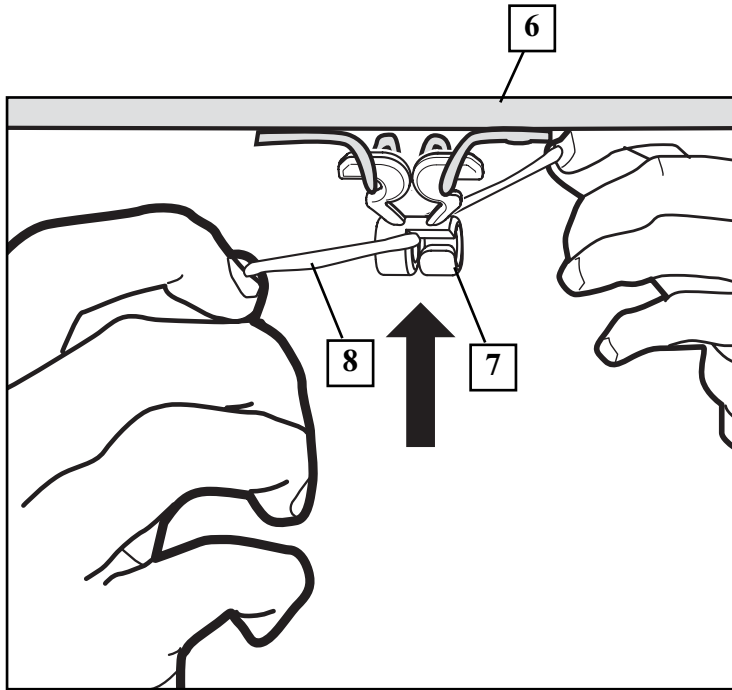


Twist "body" of clip slightly again to spread "arms" of clip. Clip "arms" must be flat and touching edge to edge as shown, not overlapping.

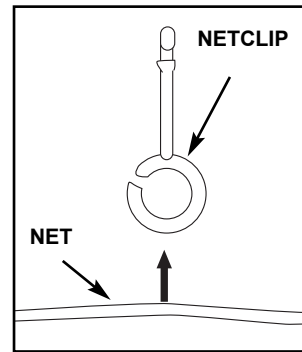
NET INSTALLATION

3.

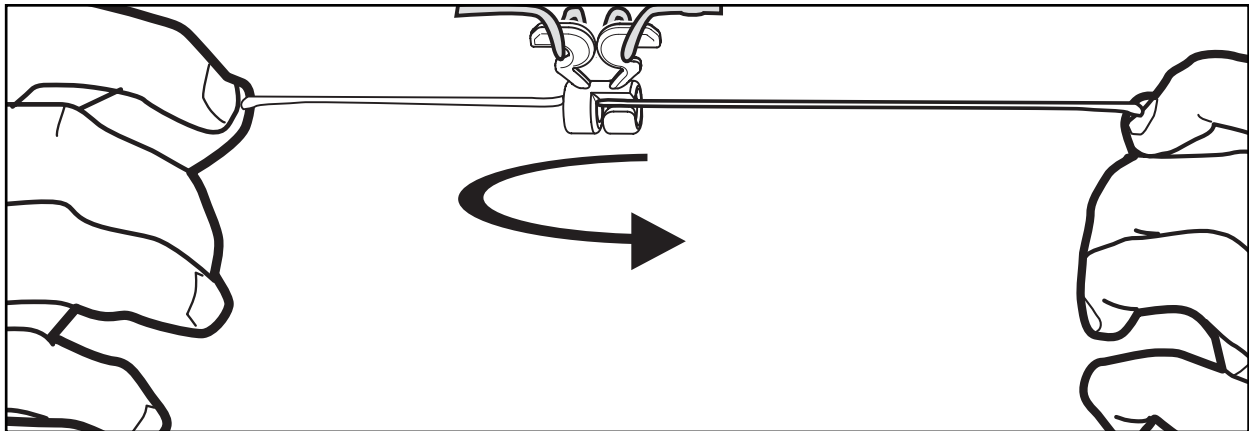
Install net.



SIDE VIEW

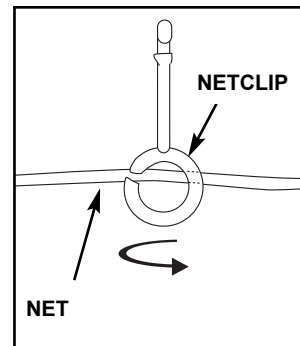


Insert net into bottom of clip as shown.



Twist net until it snaps into position.
Net must be centered through clip.

SIDE VIEW



Free Manuals Download Website

<http://myh66.com>

<http://usermanuals.us>

<http://www.somanuals.com>

<http://www.4manuals.cc>

<http://www.manual-lib.com>

<http://www.404manual.com>

<http://www.luxmanual.com>

<http://aubethermostatmanual.com>

Golf course search by state

<http://golfingnear.com>

Email search by domain

<http://emailbydomain.com>

Auto manuals search

<http://auto.somanuals.com>

TV manuals search

<http://tv.somanuals.com>