

**REQUIRED TOOLS
AND MATERIALS:**



• 2 Capable Adults



• Carpenter's Level



• 15' Tape Measure



• Pencil



• Drill and Drill Bit (3/8")



• Step Ladder 8ft. (2.4 m)



• Needle-Nose Pliers

• (2 each) Wrenches and/or
Socket Wrenches and Sockets
(Deep-Well Sockets are
Recommended).



7/16" 1/2" 9/16" 3/4"

AND/OR



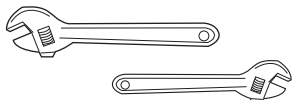
7/16" 1/2" 9/16" 3/4"



• Extension is Recommended.

**OPTIONAL TOOLS
AND MATERIALS:**

• Large & Small Adjustable
Wrenches



NOTE:

Due to various mounting
methods, additional
tools and materials may
be required.

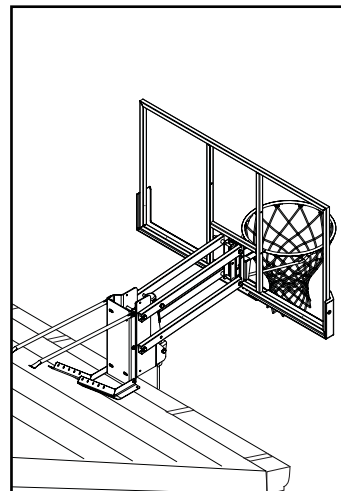
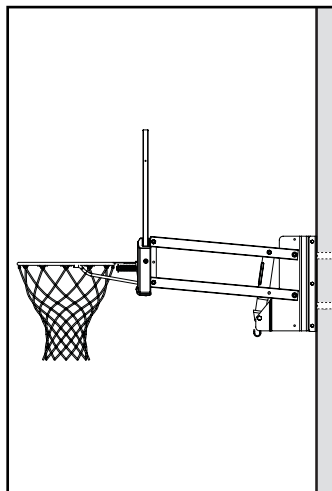
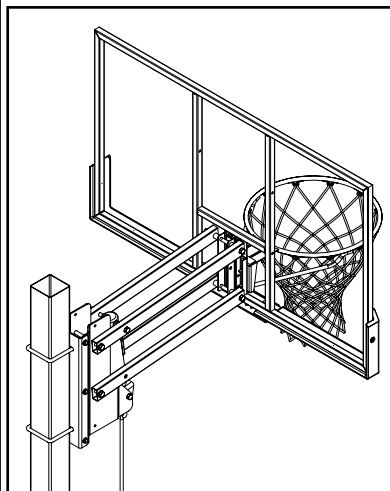
Universal Elevator Mount Owners Manual

Customer Service Center

• N53 W24700 South Corporate Circle • Sussex, WI 53089 • U.S.A.

Adult Assembly Required.

This manual, accompanied by sales receipt, should be saved and kept on hand as a convenient reference, as it contains important information about your model.



	NOTE:
	Mount, Pole and Board style will vary.

	⚠ WARNING!
	READ AND UNDERSTAND OPERATOR'S MANUAL BEFORE USING THIS UNIT.
	FAILURE TO FOLLOW OPERATING INSTRUCTIONS COULD RESULT IN INJURY OR DAMAGE TO PROPERTY.

**Write Model Number
From Box Here:**

Toll-Free Customer Service Number for U.S: 1-800-558-5234,

For Canada: 1-800-284-8339,

For Europe: 00 800 555 85234 (Sweden: 009 555 85234),

For Australia: 1-800-632 792

Internet Address: www.huffysports.com

www.spalding.com

SAFETY INSTRUCTIONS

FAILURE TO FOLLOW THESE SAFETY INSTRUCTIONS MAY RESULT IN SERIOUS INJURY OR PROPERTY DAMAGE AND WILL VOID WARRANTY.

Owner must ensure that all players know and follow these rules for safe operation of the system.

To ensure safety, do not attempt to assemble this system without following the instructions carefully. Proper and complete assembly, use and supervision is essential for proper operation and to reduce the risk of accident or injury. A high probability of serious injury exists if this system is not installed, maintained, and operated properly. Check entire box and inside all packing material for parts and/or additional instructional material. Before beginning assembly, read the instructions and identify parts using the hardware identifier and parts list in this document.

- This equipment is intended for home recreational use only and NOT excessive competitive play.
- Read and understand the warning label enclosed with hardware. It is the responsibility of the customer to mount this label. It should be affixed to the pole, wall, or door near playing area, at a height between 4-6 feet (1.2 -1.8 m) above ground level and in a location visible to all players.
- If using a ladder during assembly, use extreme caution.
- Two (2) capable adults are recommended for this operation.
- If technical assistance is required, contact Customer Service.
- Adult supervision is recommended when adjusting height.

Most Injuries are caused by misuse and/or not following instructions. Use caution when using this unit.

NOTE:

After installation is complete, adhere this WARNING label (7) in a clearly visible place.

7



WARNING

Read and understand warnings listed below before using this product.

Failure to follow these warnings may result in serious injury and/or property damage.

Owner must ensure that all players know and follow these rules for safe operation of the system.

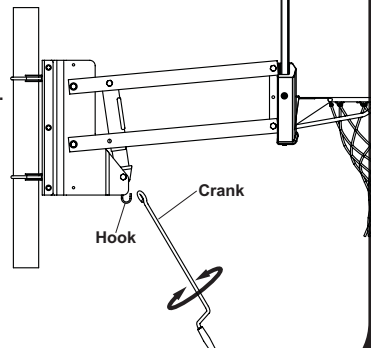
- DO NOT HANG on the rim or any part of the system including backboard, support braces or net.
- During play, especially when performing dunk type activities, keep player's face away from the backboard, rim and net. Serious injury could occur if teeth/face come in contact with backboard, rim or net.
- Do not slide, climb, shake or play on base and/or pole.
- When adjusting height or moving system, keep hands and fingers away from moving parts.
- Do not allow children to move or adjust system.
- During play, do not wear jewelry (rings, watches, necklaces, etc.). Objects may entangle in net.
- Keep organic material away from pole base. Grass, litter, etc. could cause corrosion and/or deterioration.
- Check pole system for signs of corrosion (rust, pitting, chipping) and repaint with exterior enamel paint. If rust has penetrated through the steel anywhere, replace pole immediately.
- Check system before each use for proper ballast, loose hardware, excessive wear and signs corrosion and repair before use.
- Check system before each use for instability.
- Never play on damaged equipment.
- Keep pole top covered with cap at all times.
- See instruction manual for proper installation and maintenance.

33

HEIGHT ADJUSTMENT

TO ADJUST BACKBOARD:

Position looped end of crank onto hook as shown. Rotate crank handle to raise or lower backboard



509000 1/07

SPALDING
In the U.S.: 1-800-558-5234
In Canada: 1-800-284-8339

RUSSELL ATHLETIC

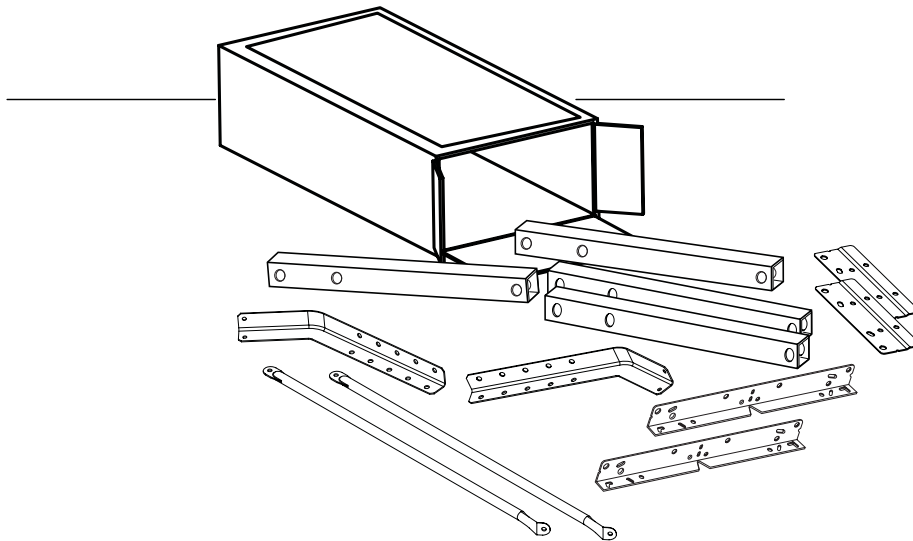
SURE SHOT
In the U.S.: 1-888-713-5488

HYDRA-RIB
In the U.S.: 1-800-334-9111

HUFFY SPORTS
In the U.S.: 1-800-558-5234
In Canada: 1-800-284-8339

ID#: 588000 05/05

IMPORTANT!
Remove all contents from box.



Questions or Missing Parts?

DON'T go back to store!

**Call TOLL-FREE Customer Service
Number listed on the front page!**

PRODUCT REGISTRATION:

Please remember to complete your product registration form on-line at:
www.huffysports.com/customer_support/product_registration.

For more information on assembly, placement, proper use, and maintenance, visit The American Basketball Council website at <http://www.smarthoops.com>.

NOTICE TO ASSEMBLERS

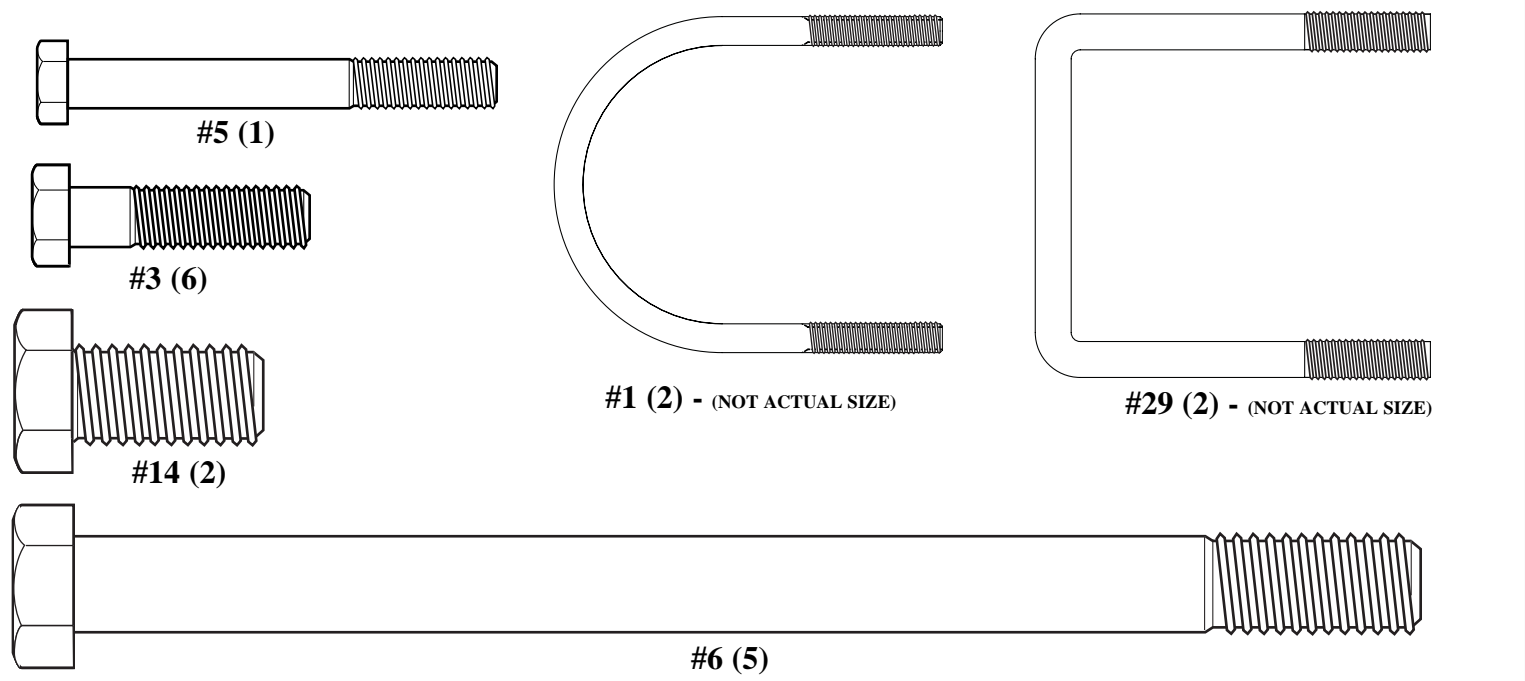
Adult Assembly Required. Dispose of ALL packaging materials promptly. As with all products, periodically inspect for loose small parts.

ALL basketball systems, including those used for DISPLAYS, MUST be assembled and installed according to instructions. Failure to follow instructions could result in SERIOUS INJURY. It is NOT acceptable to devise a makeshift support system.

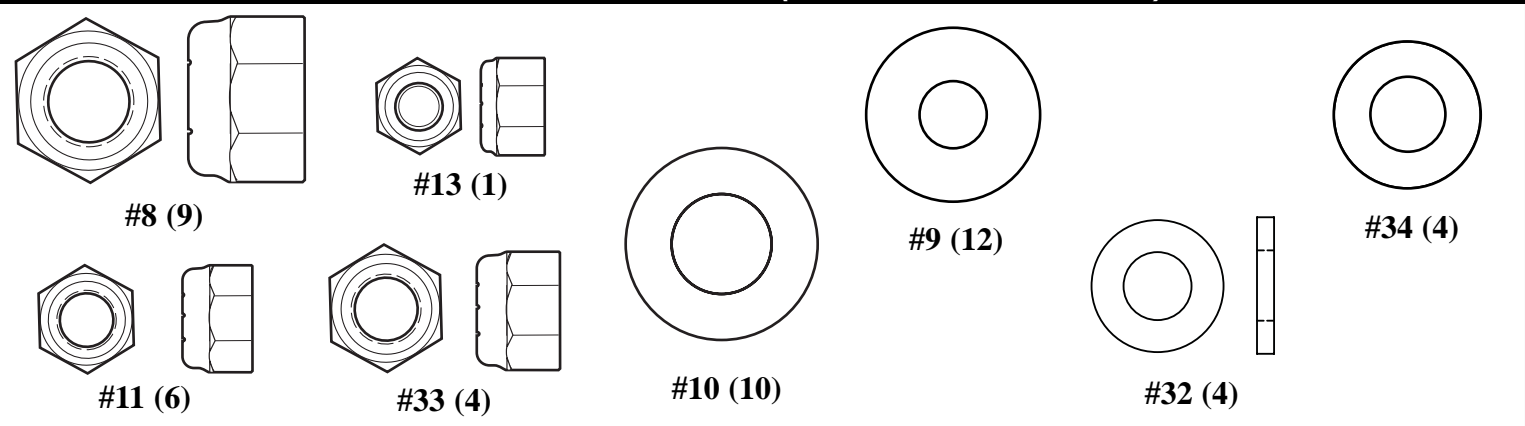
PARTS LIST - See Hardware Identifier

<input checked="" type="checkbox"/> Item	Qty.	Part No.	Description	<input checked="" type="checkbox"/> Item	Qty.	Part No.	Description
<input type="checkbox"/> 1	2	205807	U-Bolt, Round 3/8-16 x 4.68	<input type="checkbox"/> 19	1	908529	Bracket, Jack Support, LEFT
<input type="checkbox"/> 2	2	202675	Clamp, Saddle	<input type="checkbox"/> 20	2	900846	Bracket, Elevator
<input type="checkbox"/> 3	6	203589	Bolt, Hex Head, 5/16-18 x 1-1/4" Long	<input type="checkbox"/> 21	1	206234	Sleeve, Plastic, Height-Indicator
<input type="checkbox"/> 4	1	201129	Spacer, 1.8 Long	<input type="checkbox"/> 22	1	806259	Handle Assembly, Crank
<input type="checkbox"/> 5	1	240017	Bolt, Hex Head, 1/4-20 x 2-1/4" Long	<input type="checkbox"/> 23	2	906206	Struts, Board Support
<input type="checkbox"/> 6	5	205678	Bolt, Hex Head, 1/2-13 x 7" Long	<input type="checkbox"/> 24	1	818093	Screw Jack Assembly
<input type="checkbox"/> 7	1	588000	Label, Warning	<input type="checkbox"/> 25	2	204620	Spacer, Plastic, .73 O.D., 1.7" Long
<input type="checkbox"/> 8	9	206340	Locknut, Hex Head, 1/2-13	<input type="checkbox"/> 26	1	906349	Bracket, Angle, RIGHT
<input type="checkbox"/> 9	12	203218	Washer, Flat, 5/16	<input type="checkbox"/> 27	1	906350	Bracket, Angle, LEFT
<input type="checkbox"/> 10	10	202651	Washer, Flat, 1/2	<input type="checkbox"/> 28	1	211236	Label, Height-Indicator
<input type="checkbox"/> 11	6	203099	Locknut, Nylon Insert, 5/16	<input type="checkbox"/> 29	2	220150	U-Bolt, Square, 1/2-13 x 5
<input type="checkbox"/> 12	1	509000	Label, Height-Adjustment	<input type="checkbox"/> 30	4	901883	Tube, Elevator
<input type="checkbox"/> 13	1	240027	Nut, Hex, Locking 1/4-20	<input type="checkbox"/> 31	2	201656	Spacer, Metal .3.5" Long
<input type="checkbox"/> 14	2	265500	Bolt, Hex Head, 1/2-13 x 1" Long	<input type="checkbox"/> 32	4	265533	Washer, Flat, Nylon
<input type="checkbox"/> 15	4	202587	Spacer, Plastic, 1" Long	<input type="checkbox"/> 33	4	205593	Locknut, Nylon Insert, 3/8-16
<input type="checkbox"/> 16	3	206269	Spacer, Metal, .75 O.D., 4" Long	<input type="checkbox"/> 34	4	203232	Washer, 3/8
<input type="checkbox"/> 17	1	908525	Bracket, Pole				
<input type="checkbox"/> 18	1	908528	Bracket, Jack Support, RIGHT				

HARDWARE IDENTIFIER - ACTUAL SIZE (BOLTS AND SCREWS)



HARDWARE IDENTIFIER (NUTS AND WASHERS)



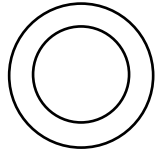
HARDWARE IDENTIFIER - ACTUAL SIZE (STEEL SPACERS)



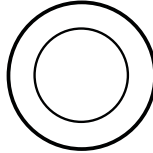
#4 (1)



#16 (3)



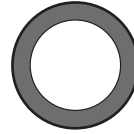
#31 (2)



HARDWARE IDENTIFIER - ACTUAL SIZE (PLASTIC SPACERS, CAPS, CLIPS AND OTHER)

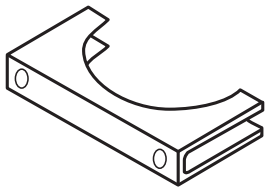


#15 (4)

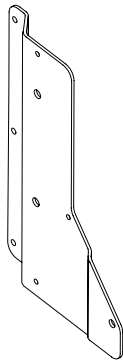


#25 (2)

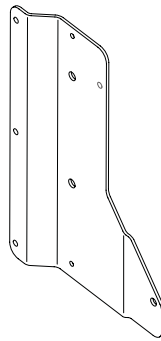
HARDWARE IDENTIFIER (NOT ACTUAL SIZE)



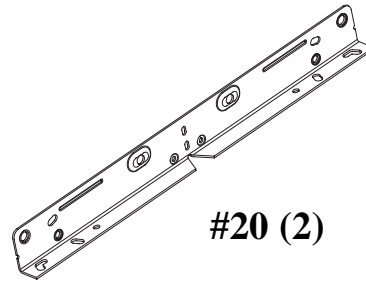
#2 (2)



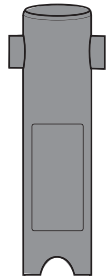
#18 (1)



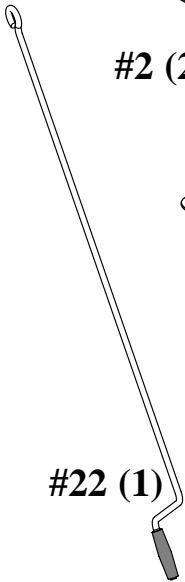
#19 (1)



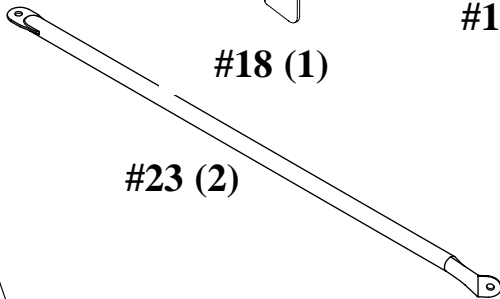
#20 (2)



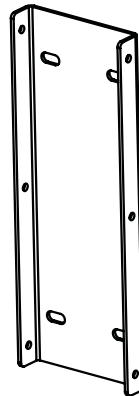
#21 (1)



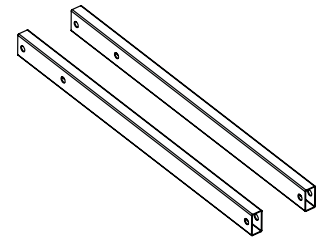
#22 (1)



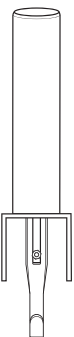
#23 (2)



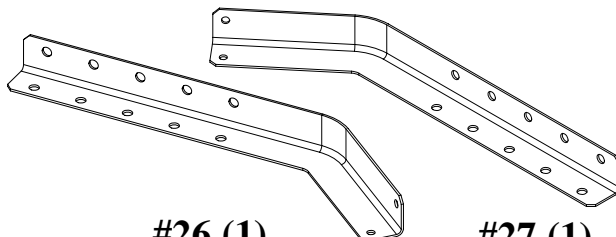
#17 (1)



#30 (4)

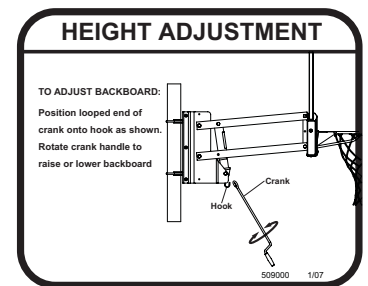


#24 (1)



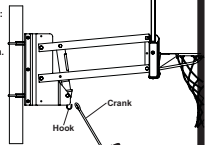
#26 (1)

#27 (1)



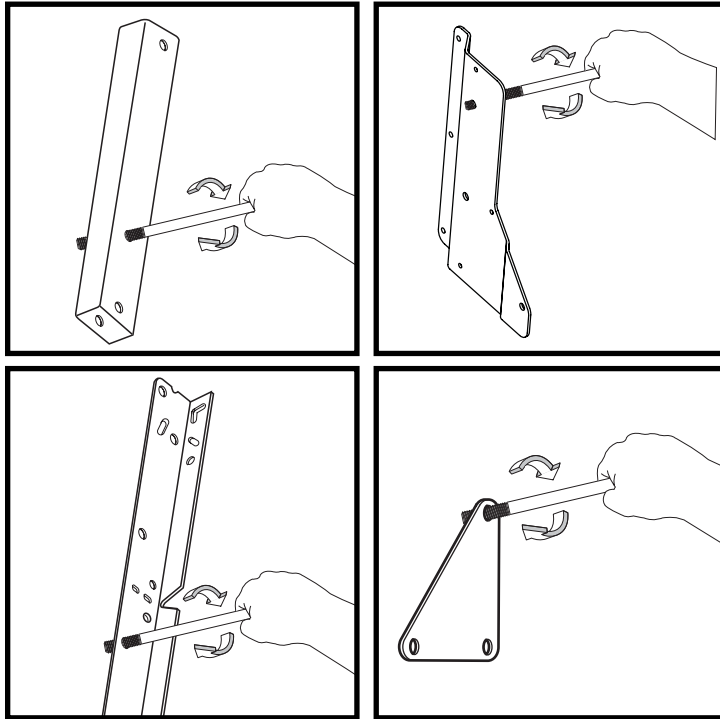
HEIGHT ADJUSTMENT

TO ADJUST BACKBOARD:
Position looped end of
crank onto hook as shown.
Rotate crank handle to
raise or lower backboard



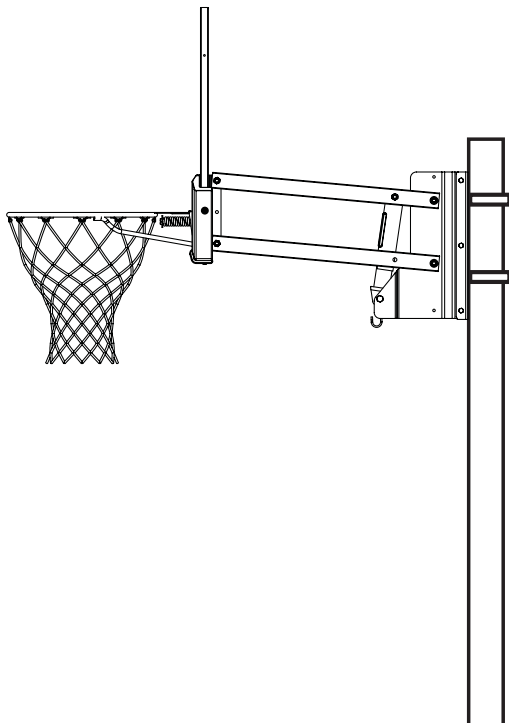
#12 (1)

BEFORE YOU START!

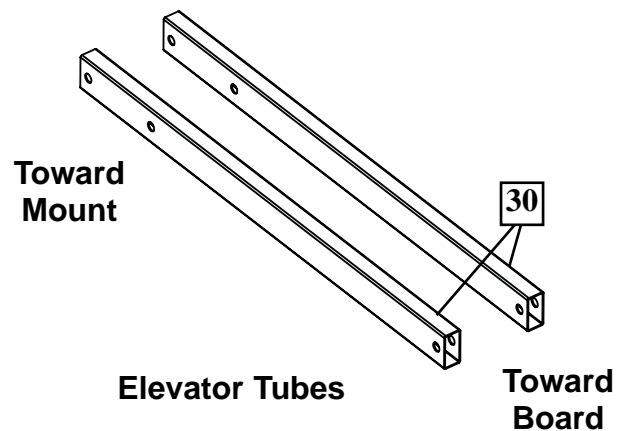


To ensure optimal playability of backboard system, a close tolerance fit between the elevator components and hardware is required. Test-fit large bolts into large holes of elevator tubes, backboard brackets, and triangle plates. Carefully rock them in a circular motion to ream out any excess paint from holes if necessary. Not all parts shown are included with every system.

SECTION A: ASSEMBLE THE ELEVATOR MOUNT TO DIFFERENT MOUNT SURFACES (POLE, WALL & ROOF)



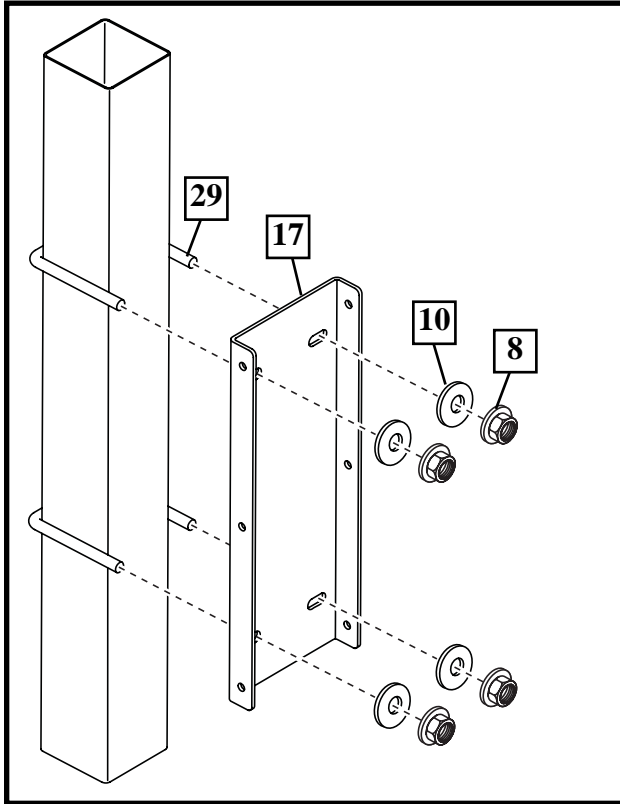
Identify elevator tubes (30).



ASSEMBLE THE ELEVATOR MOUNT TO A SQUARE POLE

1.

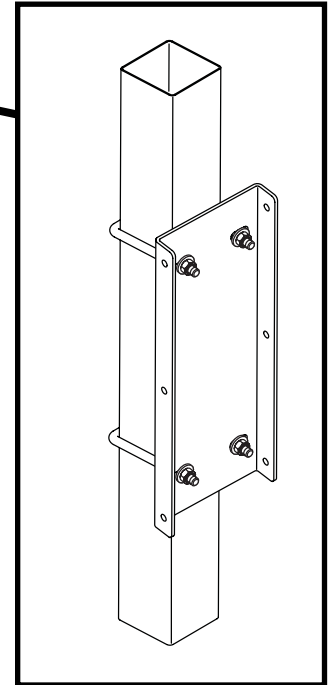
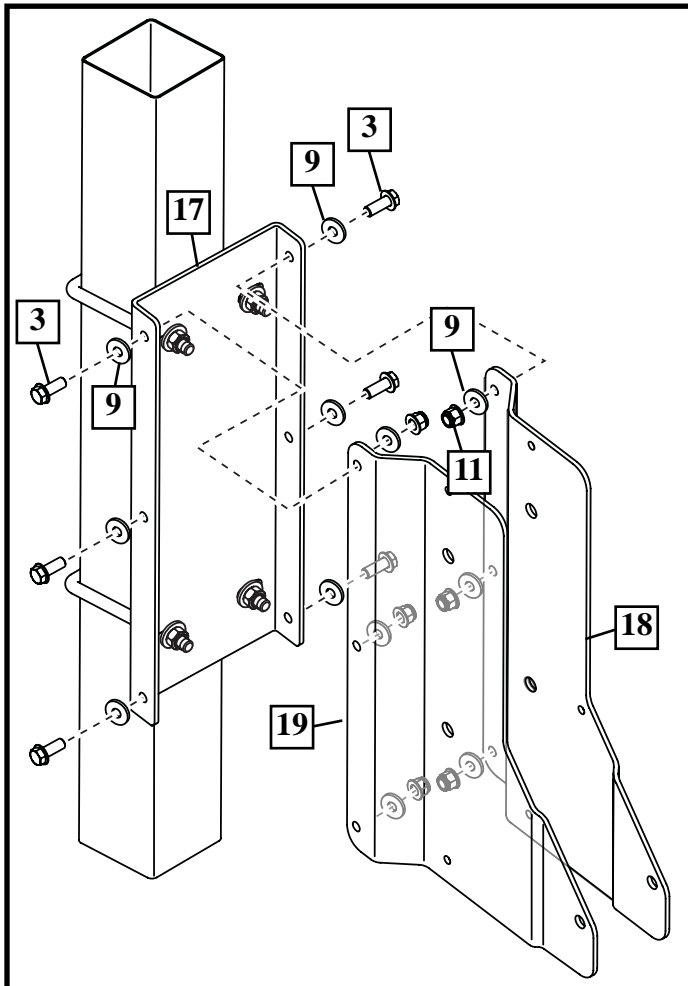
A.



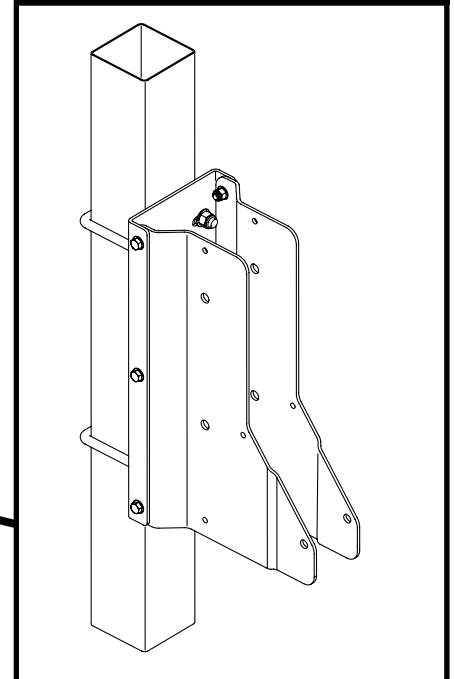
At a position near the ground surface, assemble pole bracket (17) to square pole using u-bolts (29), washers (10) and nuts (8) as shown.

Attach jack support brackets (18 & 19) to pole bracket (17) using bolts (3), washers (9) and nuts (11) as shown.

B.



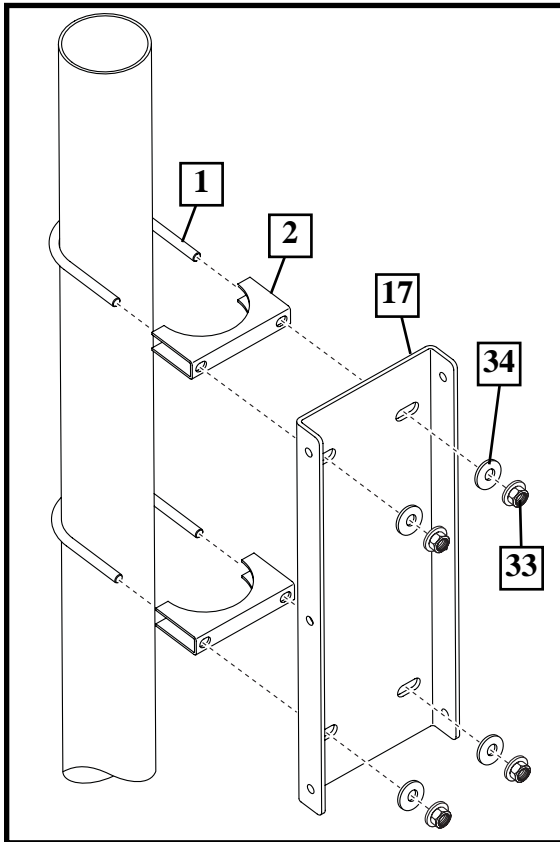
Completed Assembly



ASSEMBLE THE ELEVATOR MOUNT TO A ROUND POLE

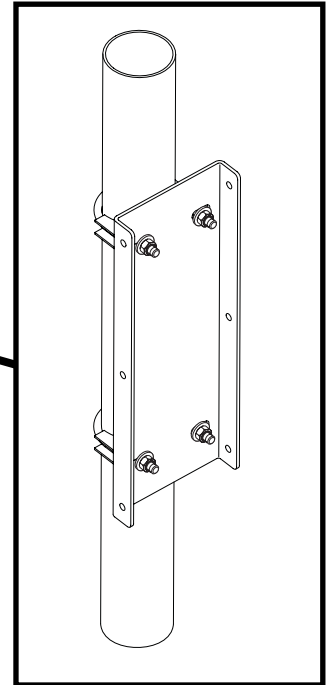
2.

A.

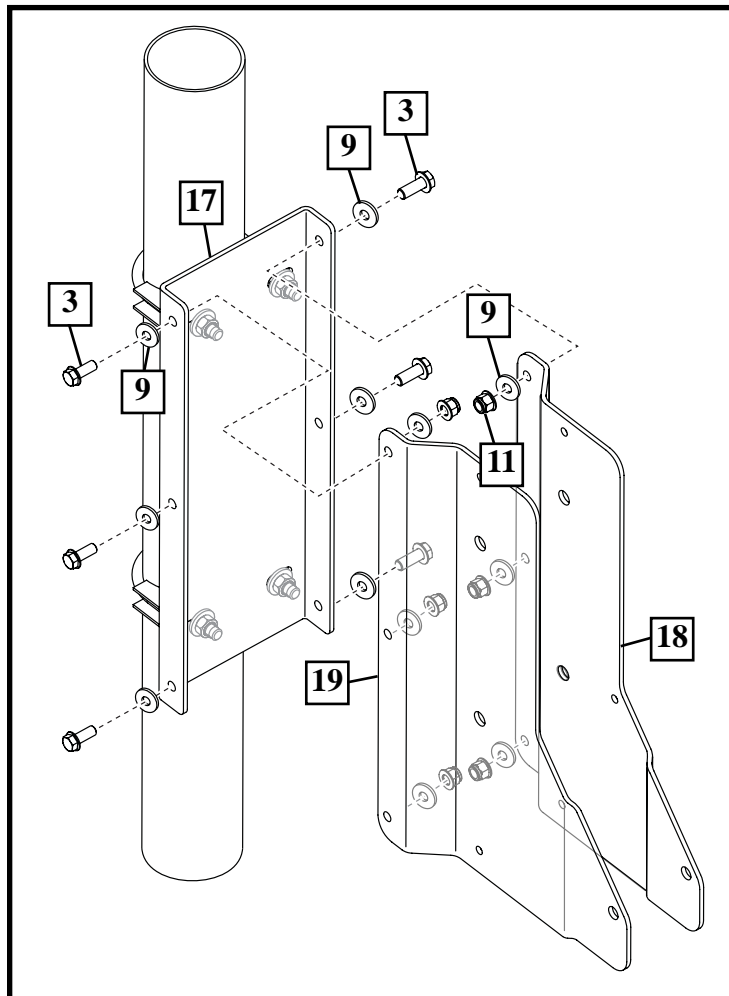


At a position near the ground surface, assemble pole bracket (17) to round pole using u-bolts (1), clamps (2), washers (34) and nuts (33) as shown.

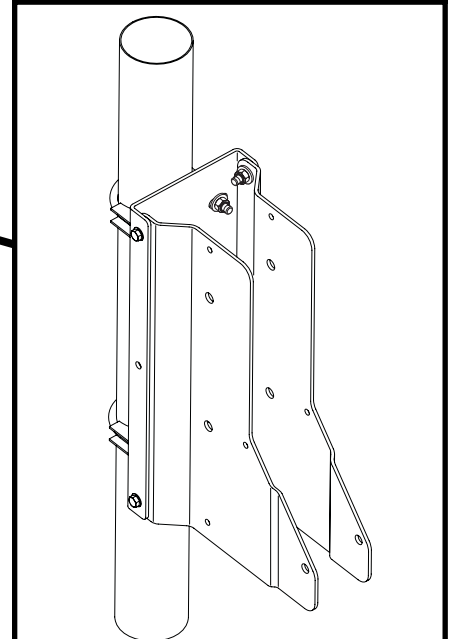
Attach jack support brackets (18 & 19) to pole bracket (17) using bolts (3), washers (9) and nuts (11) as shown.



B.



Completed Assembly



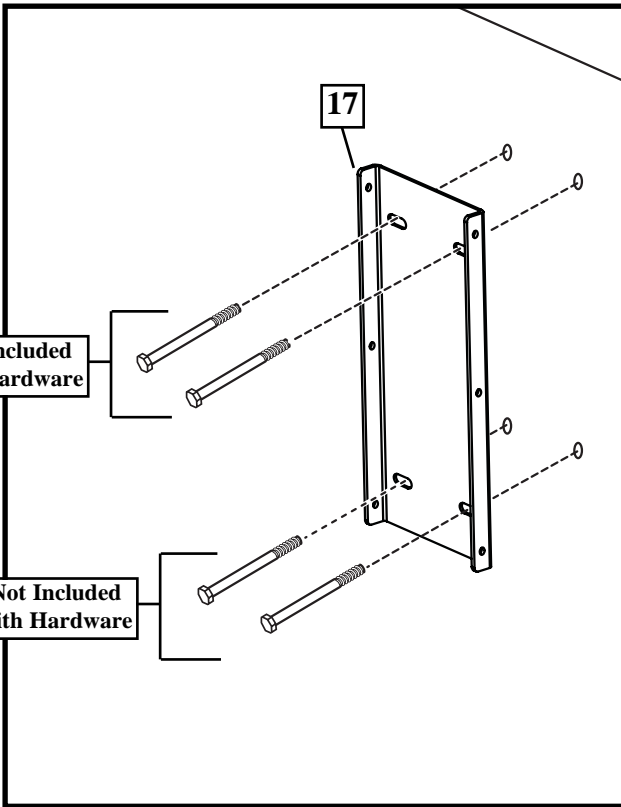
ASSEMBLE THE ELEVATOR MOUNT TO A WALL OR FLAT SURFACE

3.

A.

Not Included
with Hardware

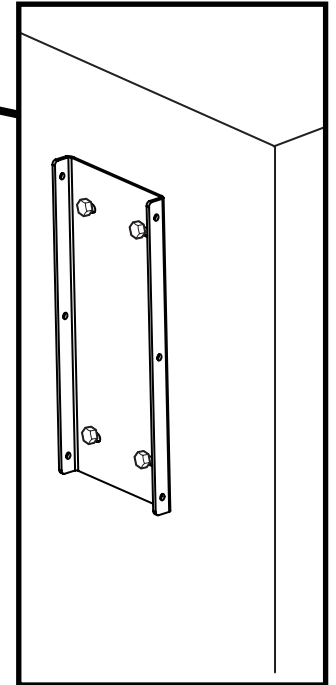
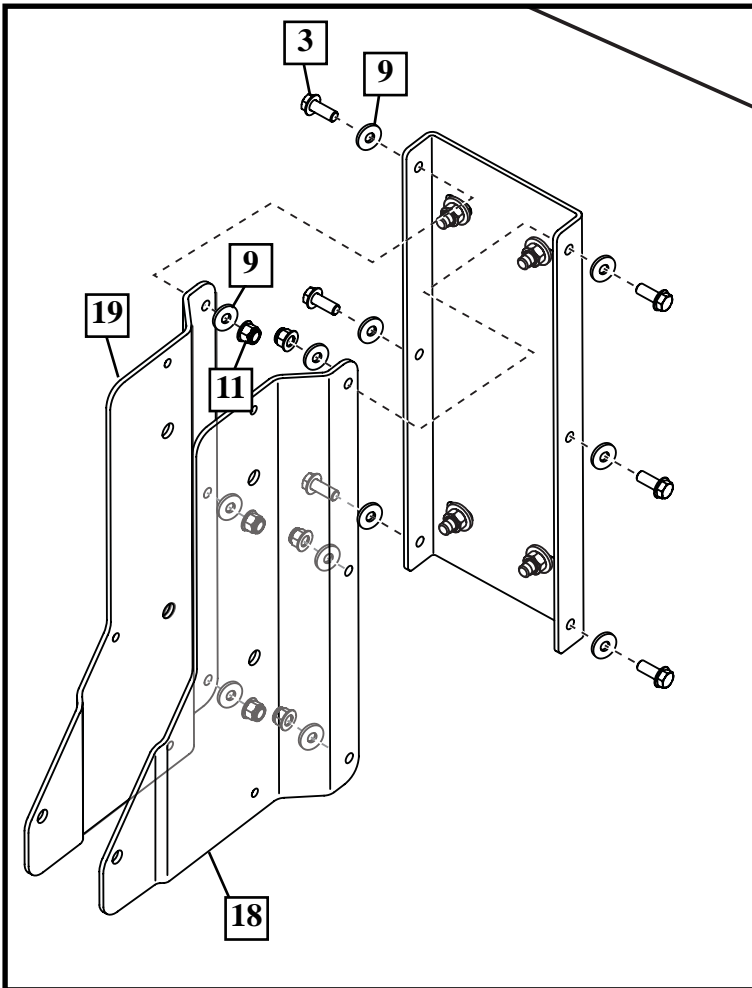
Not Included
with Hardware



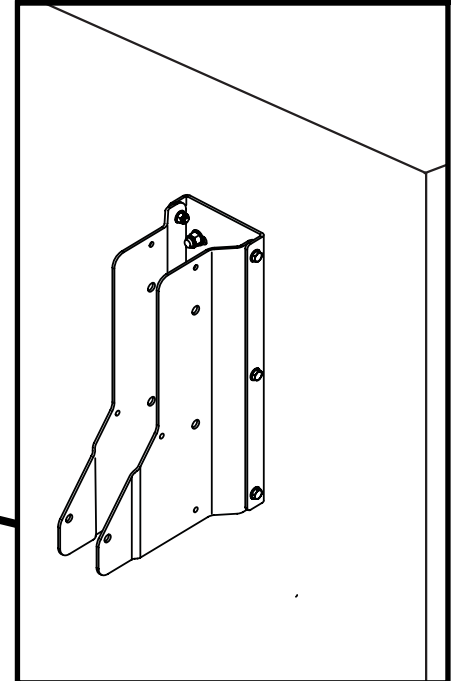
Secure pole bracket (17) to flat solid surface. Install bolt heads outside for safety reasons.

Attach jack support brackets (18 & 19) to pole bracket (17) using bolts (3), washers (9) and nuts (11) as shown.

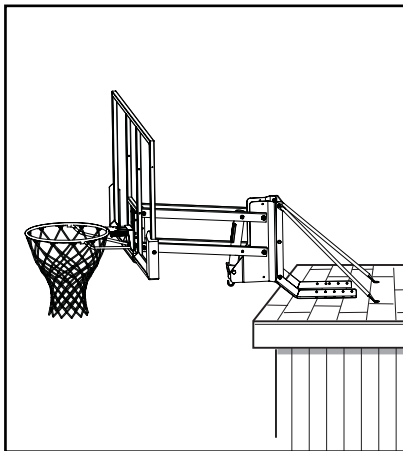
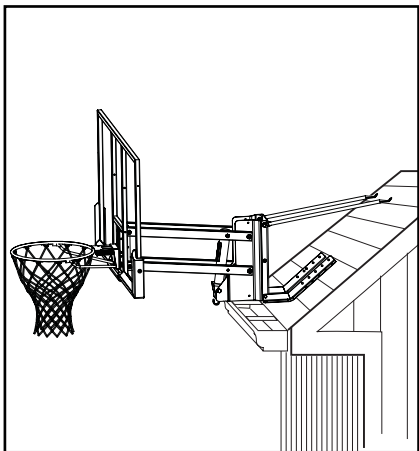
B.



Completed Assembly



ASSEMBLE THE ELEVATOR MOUNT TO A FLAT OR ANGLED ROOF



WARNING!

A solid mounting base and/or surface, capable of withstanding normal recreational use forces, must be provided by the customer. A reliable carpenter or building contractor should be consulted if there are questions regarding this procedure.

NOTE:

Hardware for these procedures are not included due to various roof and wall construction materials and design structure.



WARNING!

Carefully inspect mounting area for structural integrity and hidden electrical wiring.

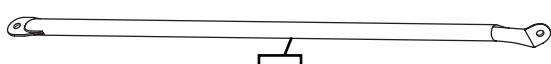
All mounting points should be sealed to prevent leaks and water damage"

4. Preassemble as shown below prior to mounting on roof.

A. Attach struts (23), angle brackets (26 & 27) AND jack support brackets (18 & 19) to pole bracket (17) with bolts (3), washers (9) and nuts (11) as shown.

NOTE: Strut Position

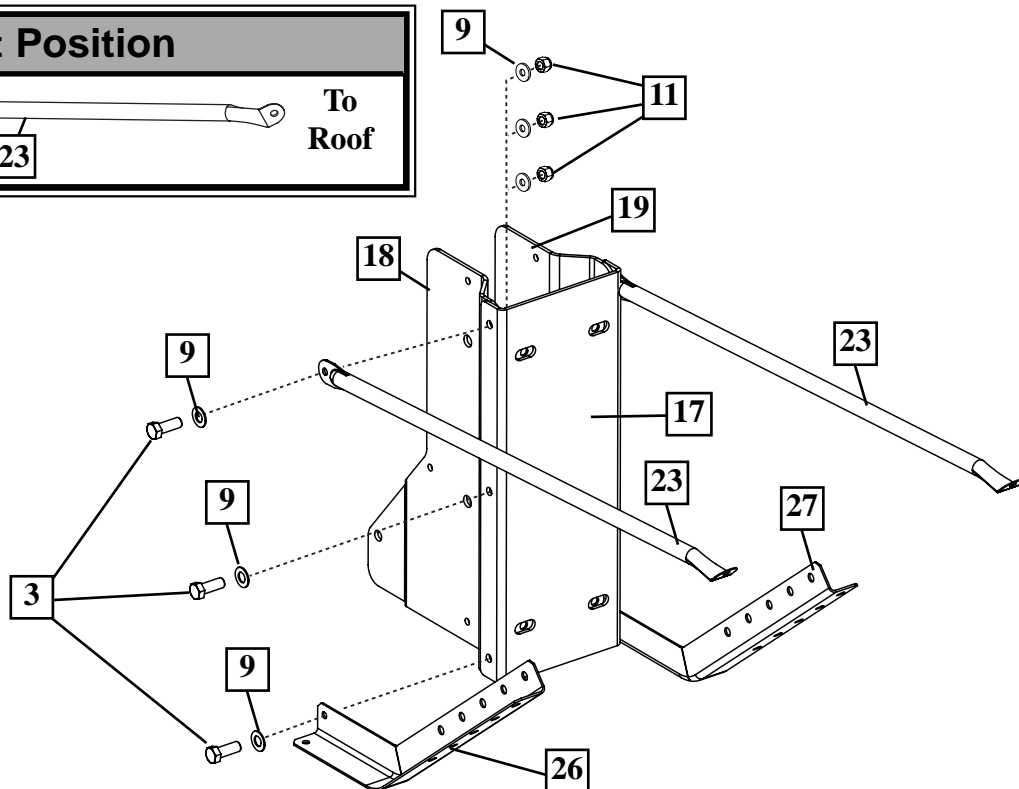
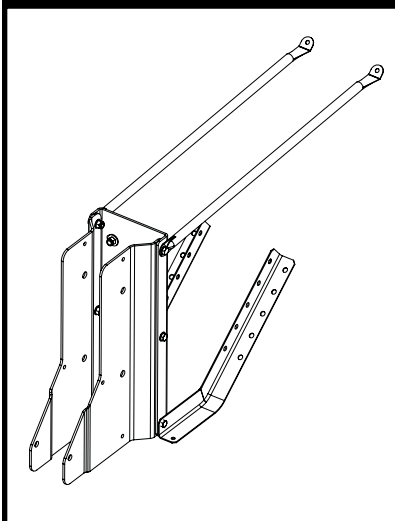
To
U-Channel



To
Roof

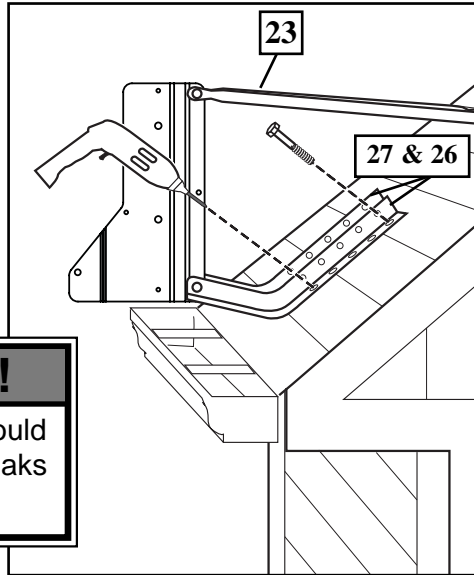
23

Completed Assembly



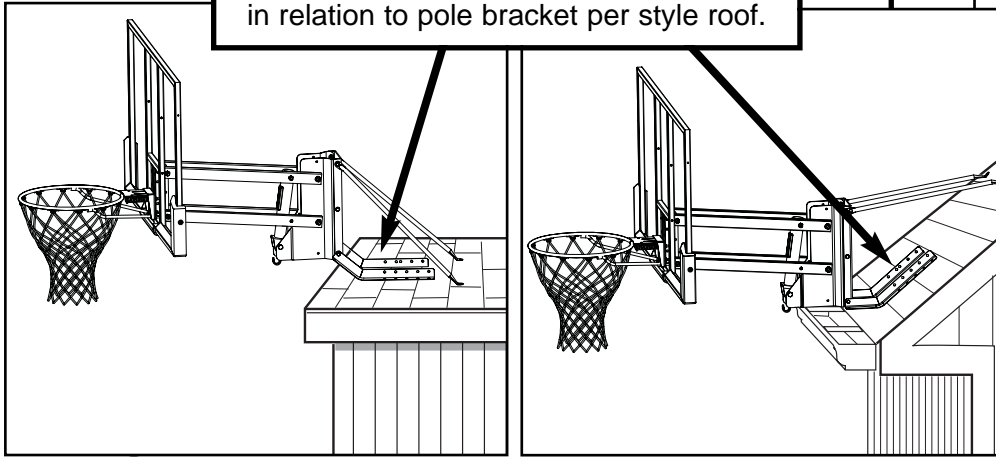
FLAT OR ANGLED ROOF (continued)

- 4.** Drill holes in roof.
Position angled brackets and secure to roof.
- B.**

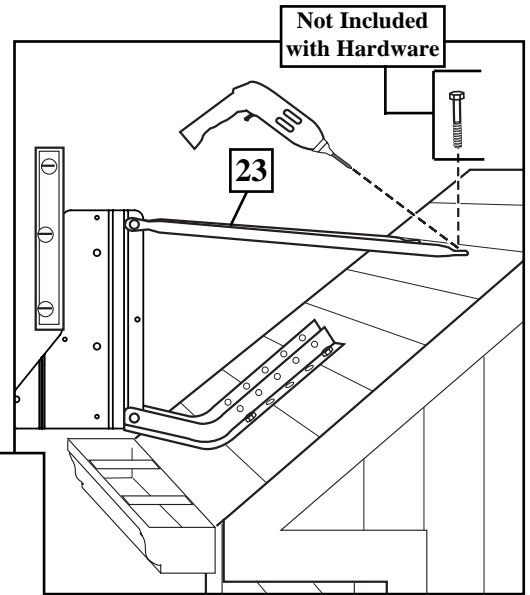


⚠ WARNING!
All mounting points should be sealed to prevent leaks and water damage"

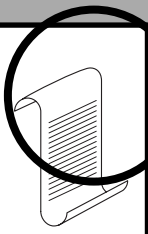
Note position of angle brackets (26 & 27) in relation to pole bracket per style roof.



- 4.** Keep assembly upright and position struts (23) on desired location on roof approx. 26"-30" (66-76 cm) apart.
- C.** Level in all directions. Mark and drill holes. Secure struts in place.



NOTE:



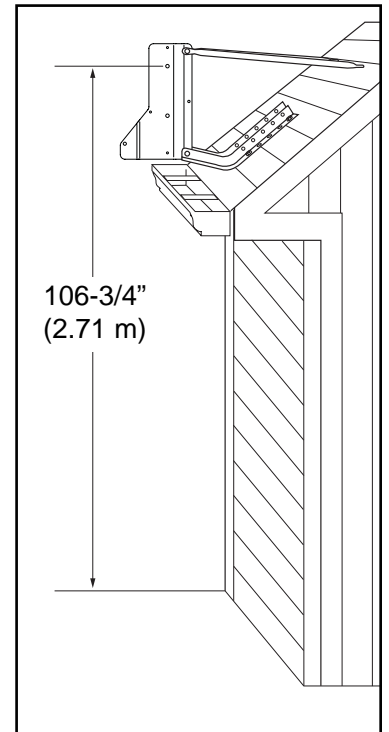
To achieve 106-3/4" (2.7 m) you may have to make some adjustments such as moving angled brackets backward or adding height to the entire assembly with wood between angled brackets and roof.

⚠ WARNING!

Minimum distance should be 106-3/4" (2.71 m) from top elevator hole to playing surface. Homeowner must assume all responsibility for any personal or property damage if backboard height is lower than recommended.

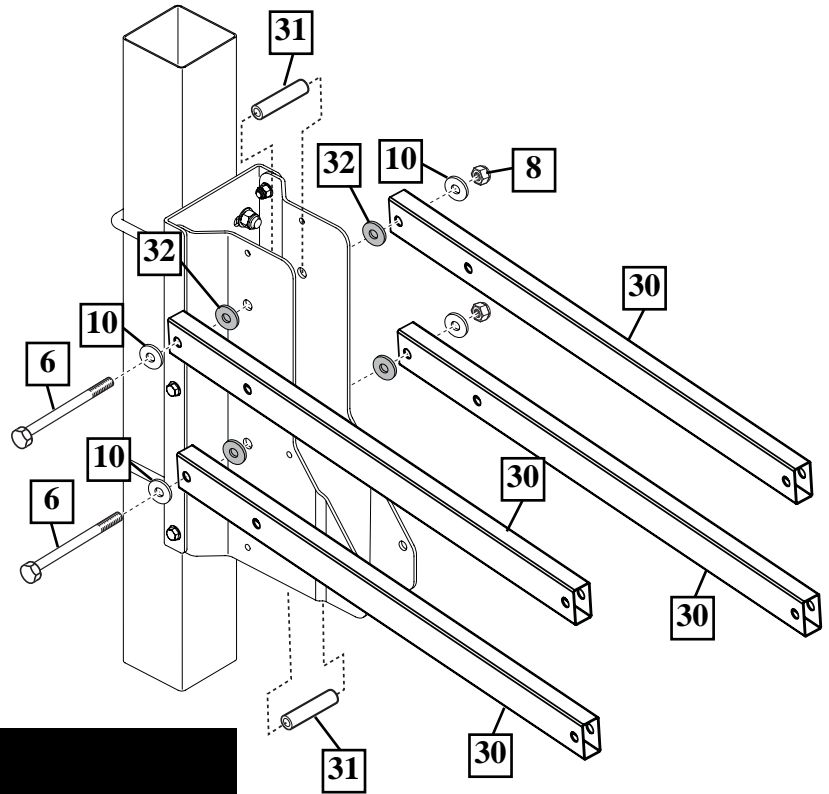
⚠ WARNING! 

USE CAUTION; ASSEMBLY IS HEAVY. TWO CAPABLE ADULTS REQUIRED FOR THIS PROCEDURE. FAILURE TO FOLLOW THIS WARNING COULD RESULT IN SERIOUS INJURY AND/OR PROPERTY DAMAGE.

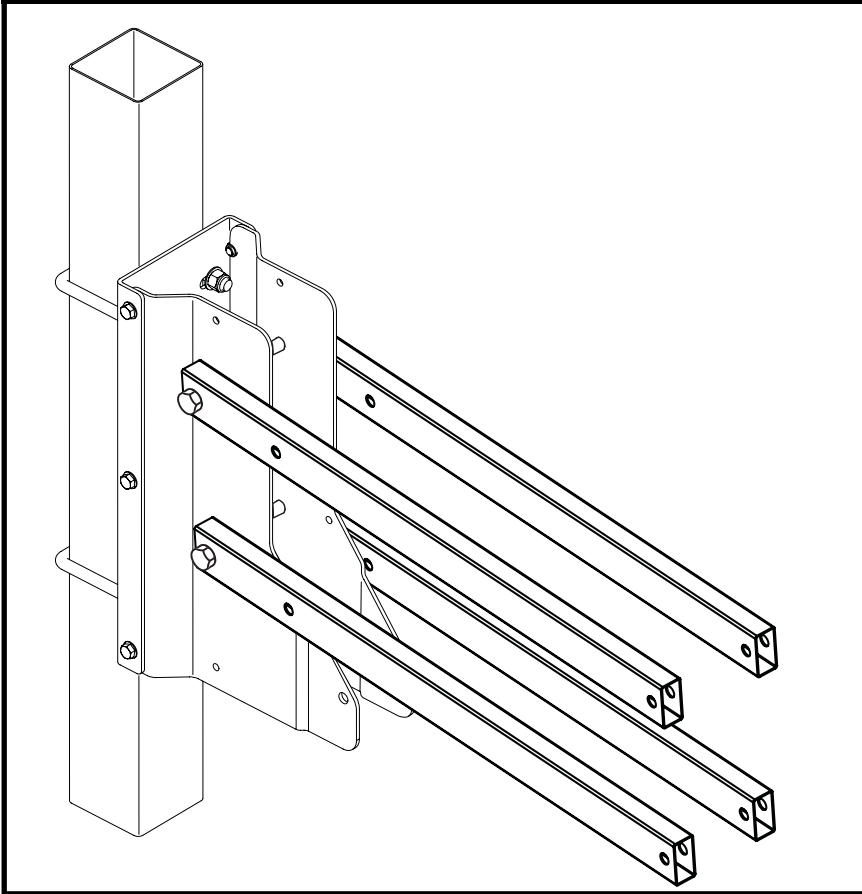


**SECTION B:
FROM THIS SECTION FORWARD
THE ASSEMBLIES ARE THE SAME FOR SQUARE AND ROUND POLE, WALL MOUNT, AND
ROOF MOUNT**

- 1.** Attach elevator tubes (30) to the jack support brackets (18 & 19) using bolts (6), washers (10), spacers (31 & 32) and nuts (8) as shown.



Completed Assembly

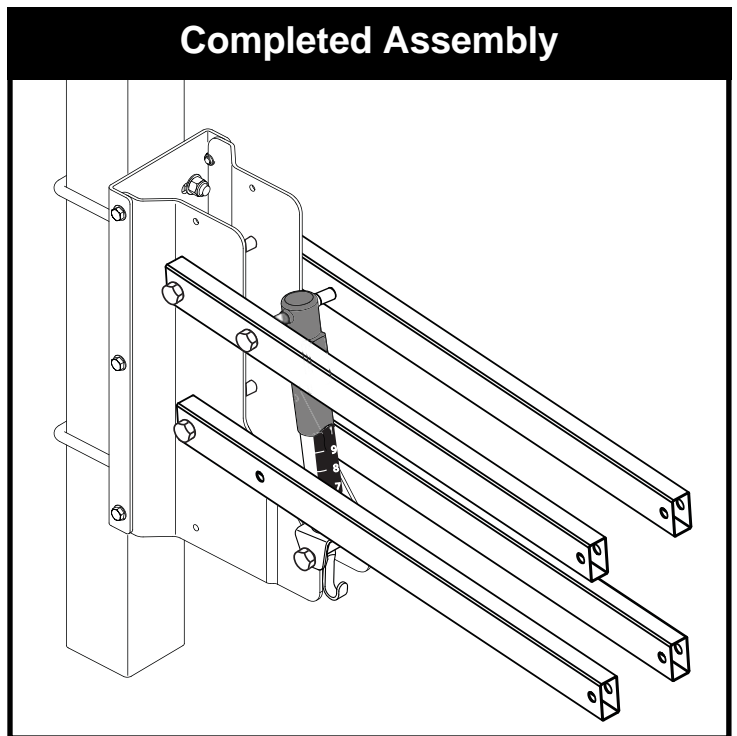
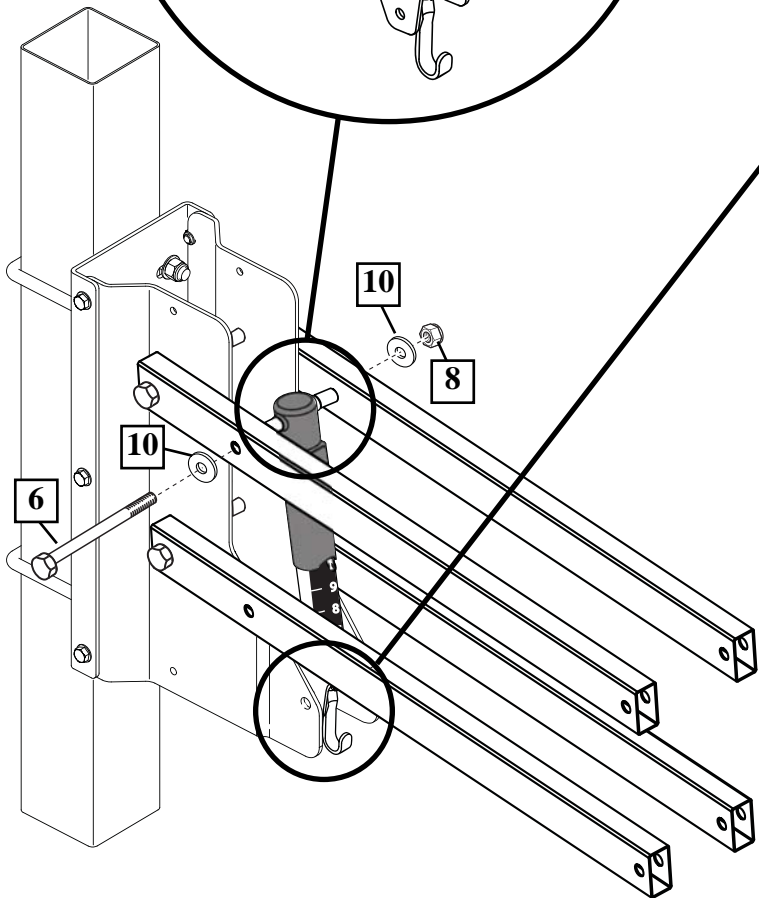
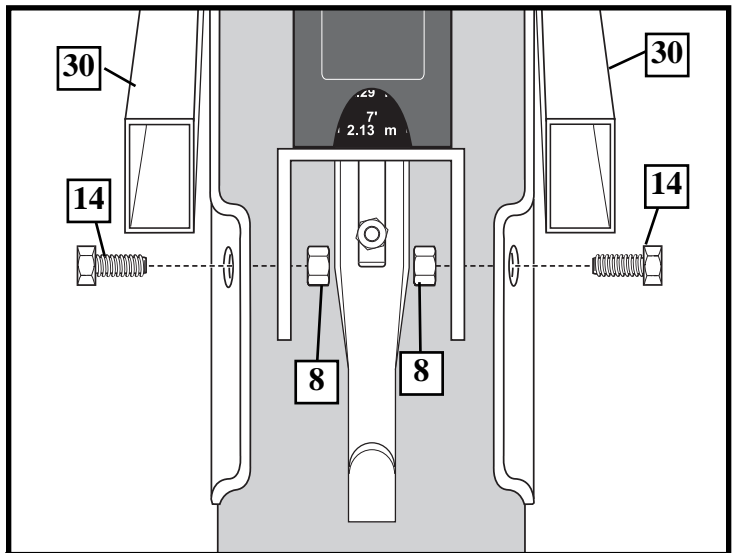
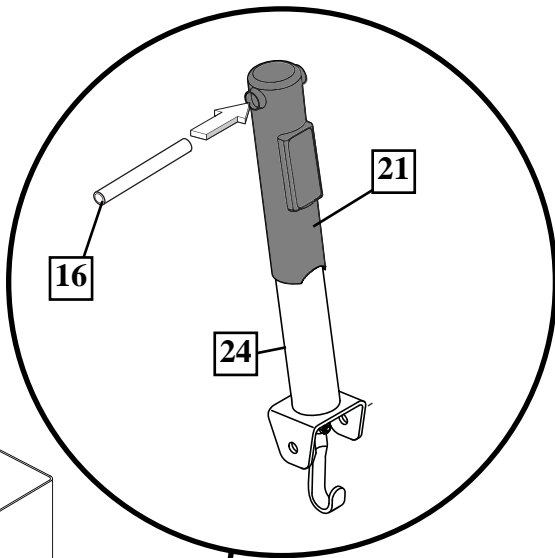
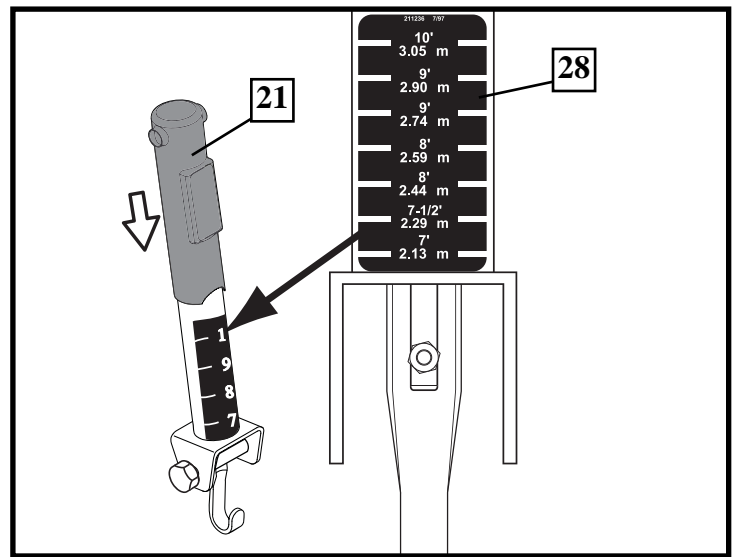


2. Attach height decal (28) on screw jack (24). Align lower edge of decal (28) with screw jack bottom.

Place cover (21) over screw jack (24).

Insert spacer (16) into screw jack assembly (24) as shown.

Install screw jack assembly (24) using bolts (6 & 14), washer (10) and nut (8) as shown.

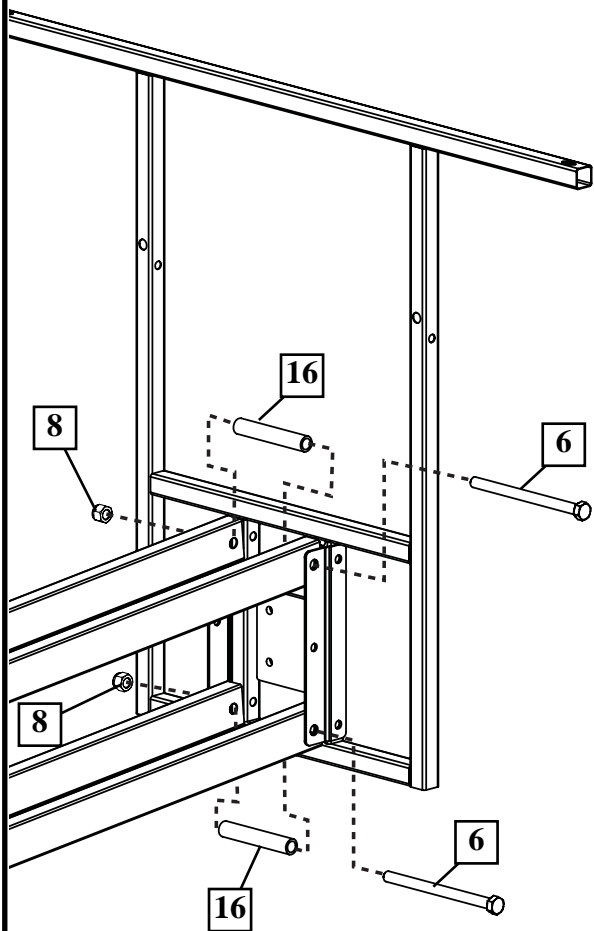


BACKBOARD MOUNTING

ATTACH AN H-FRAME STYLE BACKBOARD (STYLE WILL VARY)

1. Attach backboard using hardware shown.

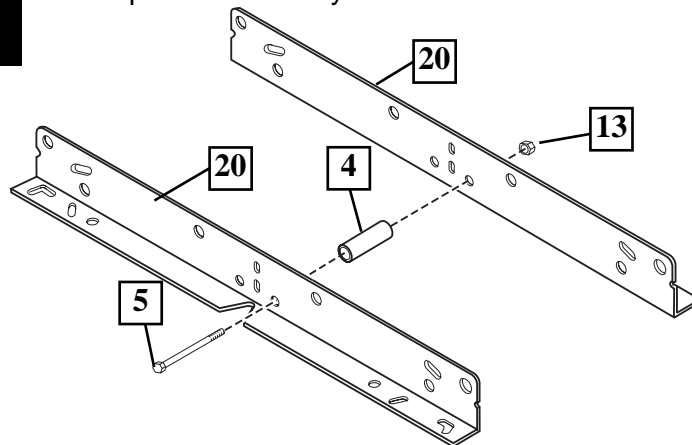
Folow instructions that are packaged with backboard for specific assembly details.



ATTACH A COMPOSITE STYLE BACKBOARD (STYLE WILL VARY)

1. Assemble backboard brackets (20) using bolt (5) spacer (4) and nut (13) as shown.

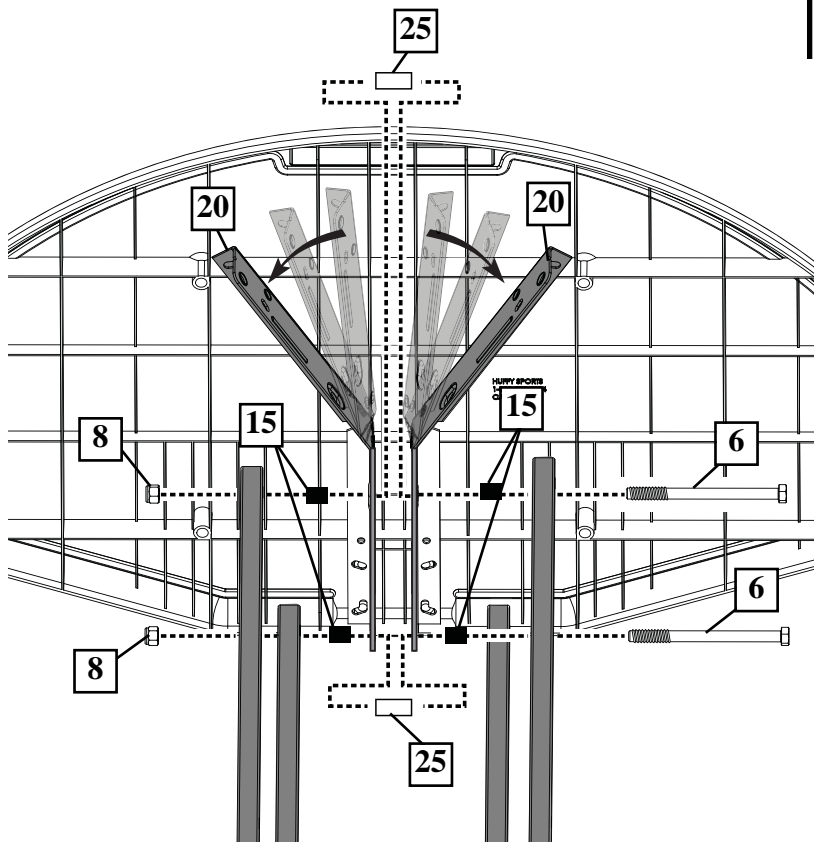
Folow instructions that are packaged with backboard for specific assembly details.



2. Attach backboard using hardware shown.

Bend support brackets (20) to line up with upper holes in backboard.

Folow instructions that are packaged with backboard for specific assembly details.



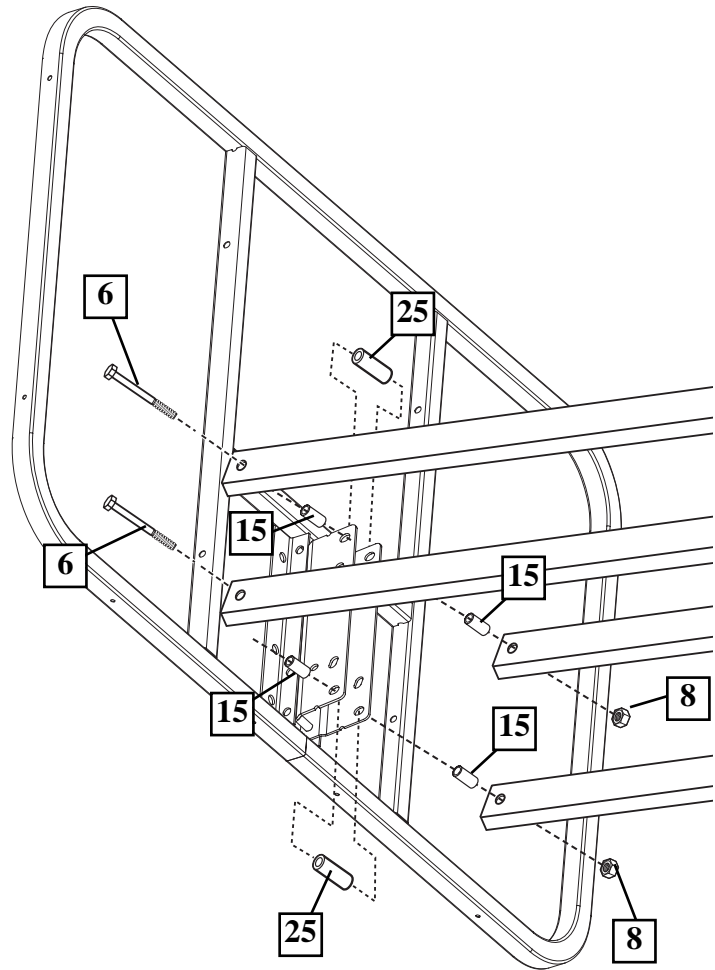
BACKBOARD MOUNTING (continued)

OR

ATTACH A STEEL-FRAMED STYLE BACKBOARD (STYLE WILL VARY)

- 3.** Attach backboard using hardware shown.

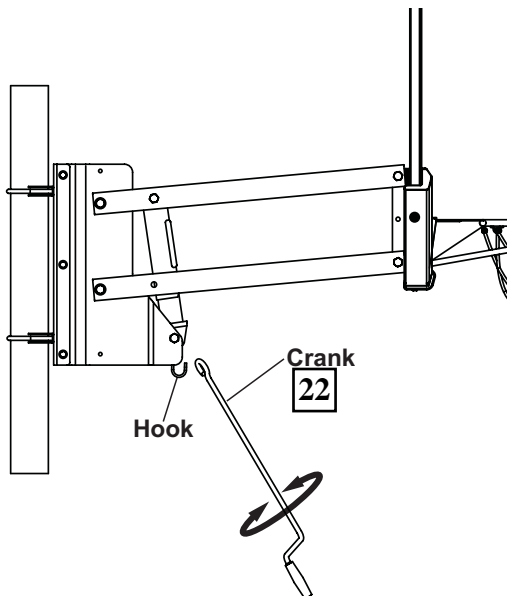
Follow instructions that are packaged with backboard for specific assembly details.



HEIGHT ADJUSTMENT AND WARNING LABEL PLACEMENT

TO ADJUST BACKBOARD:

Position looped end of crank onto hook as shown. Rotate crank handle to raise or lower backboard



NOTE:
Adhere WARNING label (20) in a clearly visible place.

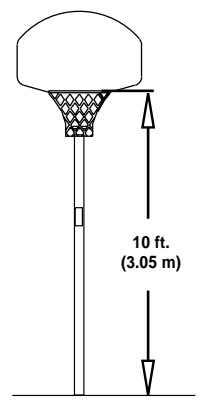
WARNING
Read and understand warnings listed below before using this product.
Failure to follow these warnings may result in serious injury and/or property damage.

Owner must ensure that all players know and follow these rules for safe operation of the system.

- DO NOT HANG on the rim or any part of the system including backboard, support braces or net.
- During play, especially when performing dunk type activities, keep player's face away from the backboard, rim and net. Serious injury could occur if teeth/face come in contact with backboard, rim or net.
- Do not slide, climb, shake or play on base and/or pole.
- When adjusting height or moving system, keep hands and fingers away from moving parts.
- Do not allow children to move or adjust system.
- During play, do not wear jewelry (rings, watches, necklaces, etc.). Objects may entangle in net.
- Keep organic material away from pole base. Grass, litter, etc. could cause corrosion and/or deterioration.
- Check pole system for signs of corrosion (rust, pitting, chipping) and repaint with exterior enamel paint. If rust has penetrated through the steel anywhere, replace pole immediately.
- Check system before each use for proper ballast, loose hardware, excessive wear and signs corrosion and repair before use.
- Check system before each use for instability.
- Never play on damaged equipment.
- Keep pole top covered with cap at all times.
- See instruction manual for proper installation and maintenance.

SPALDING RUSSELL ATHLETIC HYDRA-RIB
SURE SHOT HUFFY SPORTS

REGULATION RIM HEIGHT IS 10 FEET (3.05 m).



Free Manuals Download Website

<http://myh66.com>

<http://usermanuals.us>

<http://www.somanuals.com>

<http://www.4manuals.cc>

<http://www.manual-lib.com>

<http://www.404manual.com>

<http://www.luxmanual.com>

<http://aubethermostatmanual.com>

Golf course search by state

<http://golfingnear.com>

Email search by domain

<http://emailbydomain.com>

Auto manuals search

<http://auto.somanuals.com>

TV manuals search

<http://tv.somanuals.com>