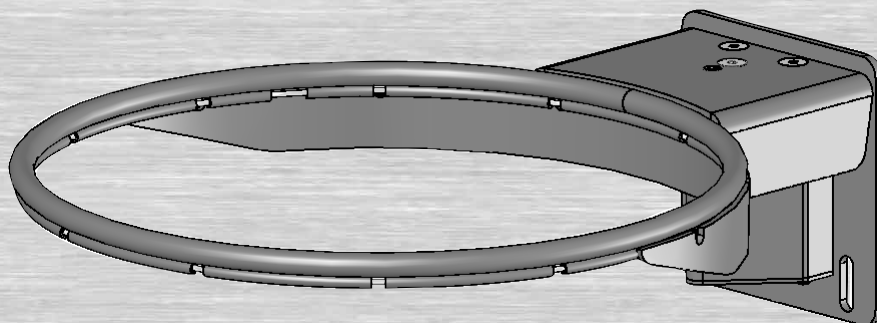


Rim Owners Manual



**Write Model Number
From Box Here:**



! WARNING!

**READ AND UNDERSTAND
OPERATOR'S MANUAL
BEFORE USING THIS UNIT.**

**FAILURE TO FOLLOW
OPERATING INSTRUCTIONS
COULD RESULT IN INJURY
OR DAMAGE TO PROPERTY.**

Customer Service Center
• 200 American Avenue • Jefferson, IA 50129
www.spalding.com • www.basketballproducts.com • www.hydra-rib.com

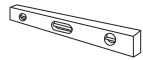
REQUIRED TOOLS AND MATERIALS:



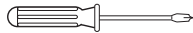
• (2) Stepladders 8 ft. (2.4 m)



• (1) Allen Wrench (5/16")



• (1) Carpenter's Level



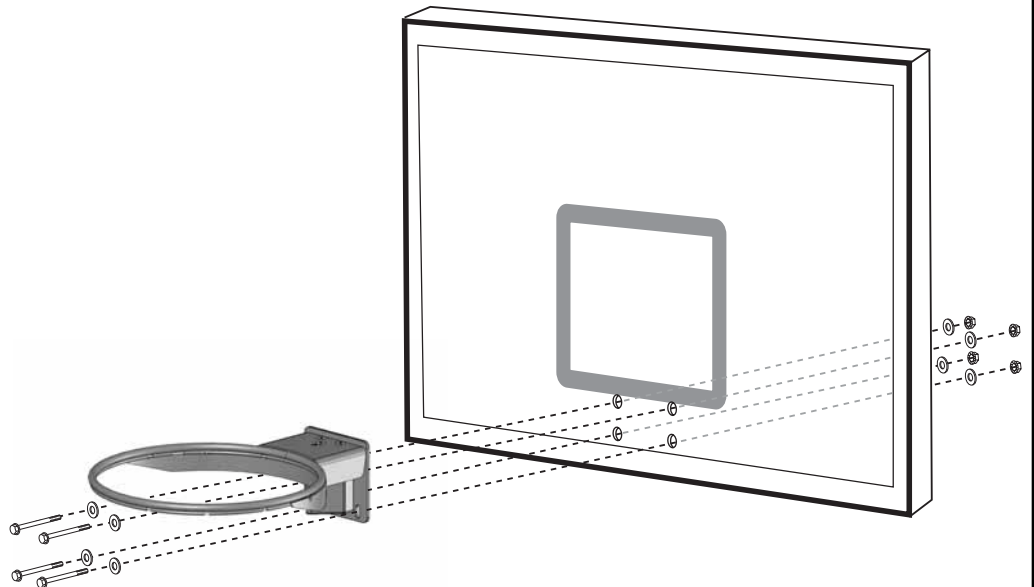
• (1) Phillips-Head Screwdriver



• (2 each) 9/16" Wrenches and/or Socket Wrenches and Sockets

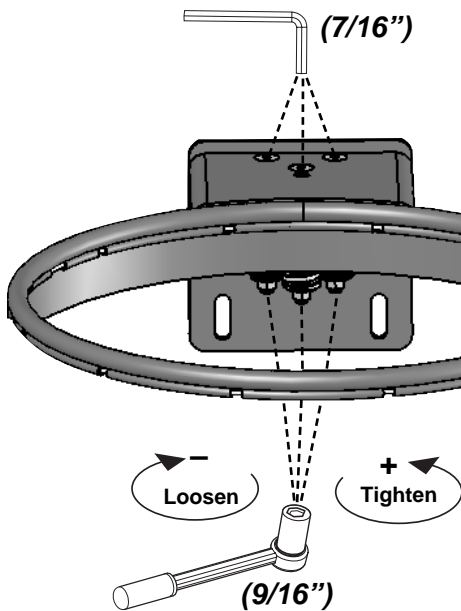
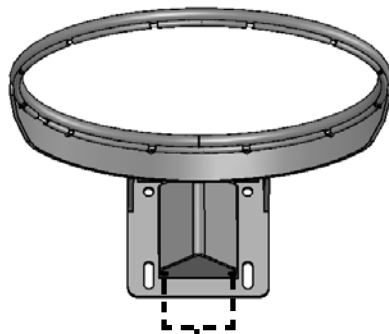


(Deep-Well Sockets 9/16" are Recommended).

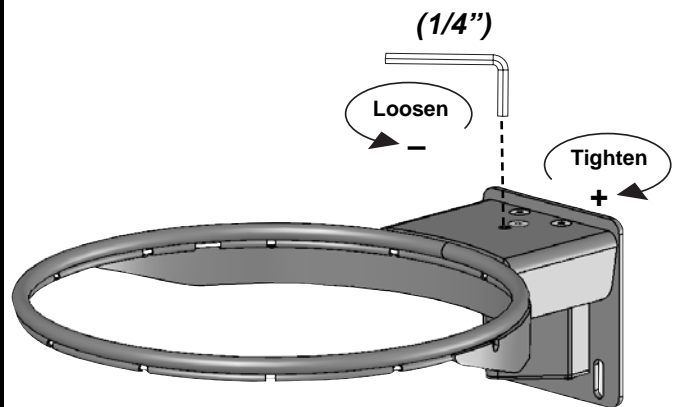


TO ADJUST TENSION

Remove the rim cover from the rim and make adjustments as shown.



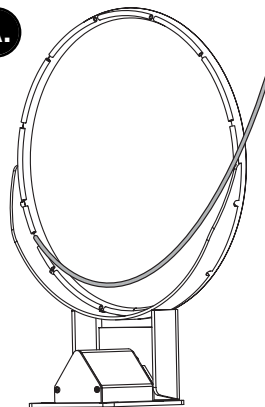
TO LEVEL RIM



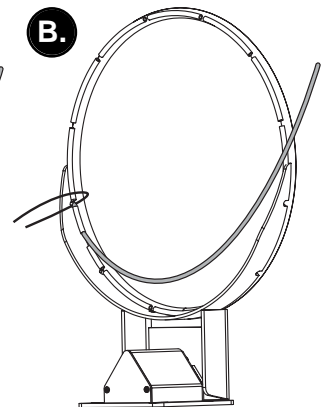
INSTALL NET

- Remove nylon net-holder from the rim.
- Reinstall while inserting all net loops into slots along ring as shown.

A.



B.



Free Manuals Download Website

<http://myh66.com>

<http://usermanuals.us>

<http://www.somanuals.com>

<http://www.4manuals.cc>

<http://www.manual-lib.com>

<http://www.404manual.com>

<http://www.luxmanual.com>

<http://aubethermostatmanual.com>

Golf course search by state

<http://golfingnear.com>

Email search by domain

<http://emailbydomain.com>

Auto manuals search

<http://auto.somanuals.com>

TV manuals search

<http://tv.somanuals.com>