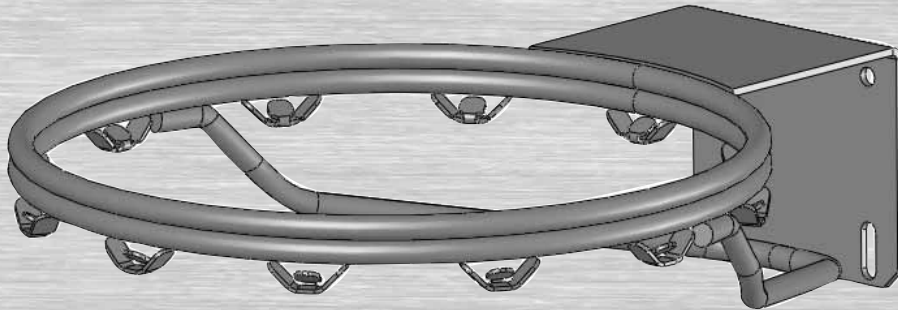


# SPALDING

HYDRA-RIB® BPI  
1 - 8 0 0 - 4 3 5 - D U N K

## Rim Owners Manual



**Model Number:**

**411-557**



**! WARNING!**

READ AND UNDERSTAND  
OPERATOR'S MANUAL  
BEFORE USING THIS UNIT.

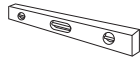
FAILURE TO FOLLOW  
OPERATING INSTRUCTIONS  
COULD RESULT IN INJURY  
OR DAMAGE TO PROPERTY.

Customer Service Center  
• 200 American Avenue • Jefferson, IA 50129  
[www.spalding.com](http://www.spalding.com) • [www.basketballproducts.com](http://www.basketballproducts.com) • [www.hydra-rib.com](http://www.hydra-rib.com)

## REQUIRED TOOLS AND MATERIALS:



• (2) Stepladders 8 ft. (2.4 m)



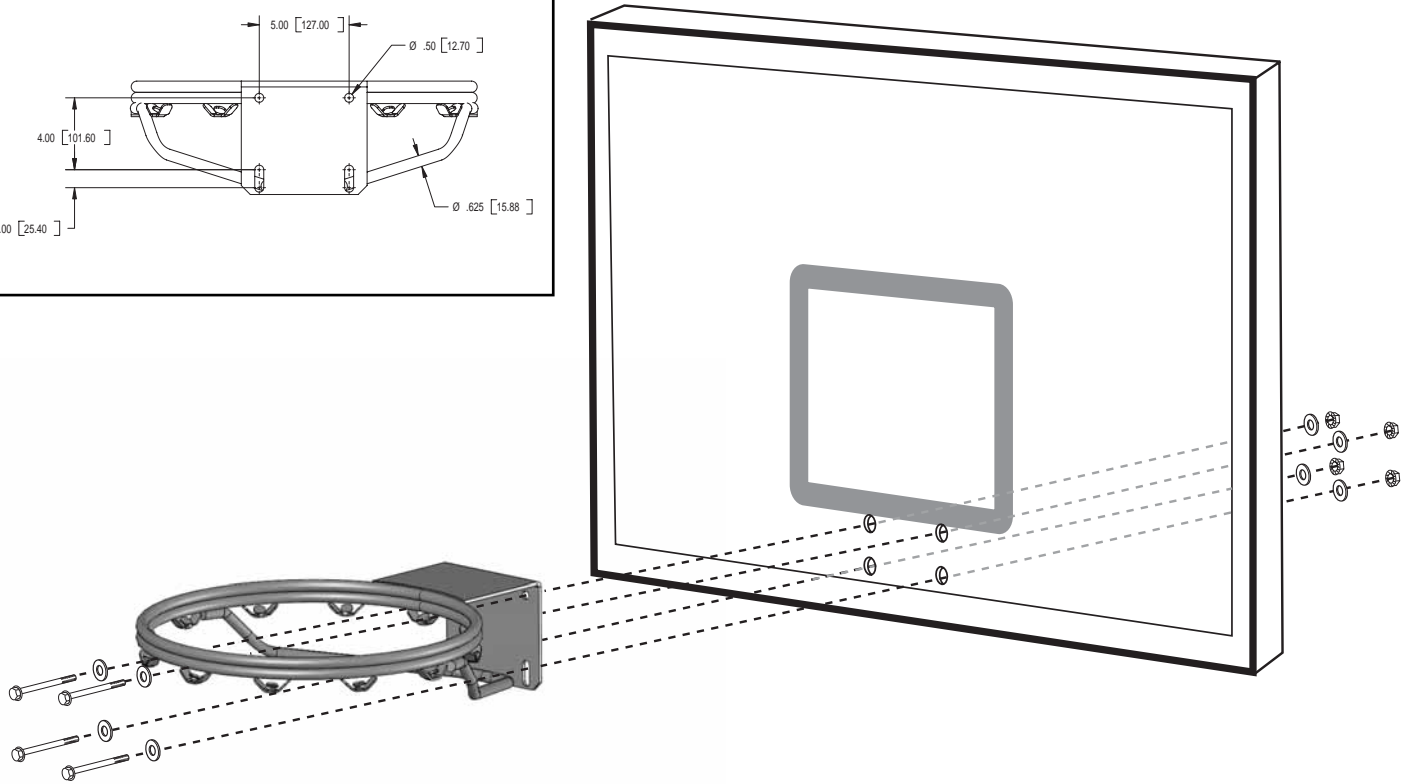
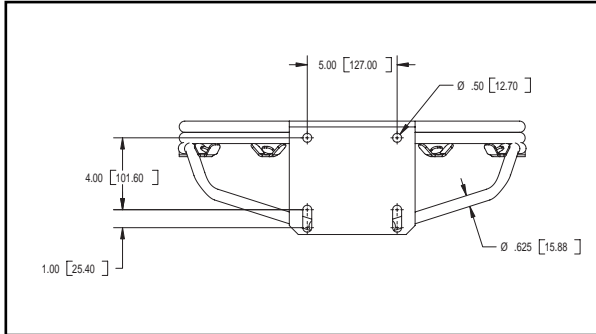
• (1) Carpenter's Level



• (2 each) 9/16" Wrenches  
and/or Socket Wrenches  
and Sockets

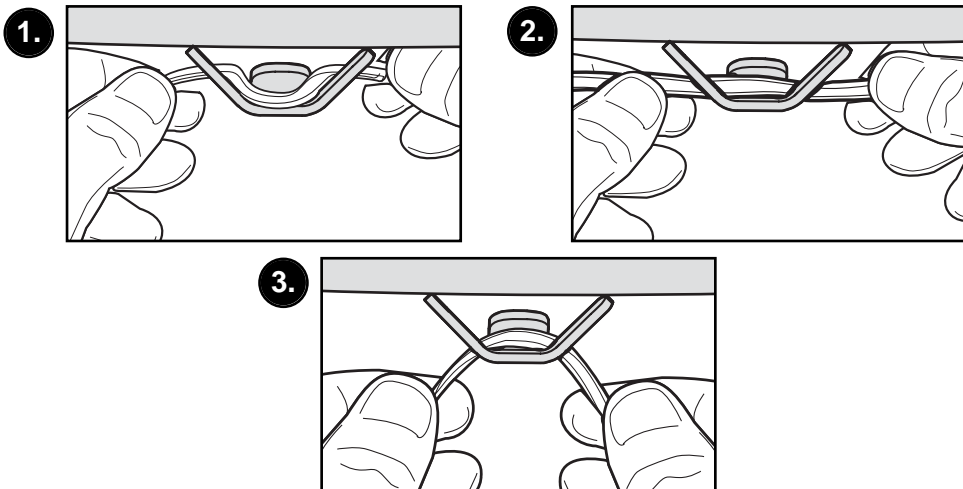


(Deep-Well Sockets  
9/16"  
are Recommended).



## INSTALL NET

### OUTSIDE VIEW



## Free Manuals Download Website

<http://myh66.com>

<http://usermanuals.us>

<http://www.somanuals.com>

<http://www.4manuals.cc>

<http://www.manual-lib.com>

<http://www.404manual.com>

<http://www.luxmanual.com>

<http://aubethermostatmanual.com>

Golf course search by state

<http://golfingnear.com>

Email search by domain

<http://emailbydomain.com>

Auto manuals search

<http://auto.somanuals.com>

TV manuals search

<http://tv.somanuals.com>