


**REQUIRED TOOLS
AND MATERIALS:**

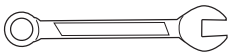
 • **2 Capable Adults**

 • **Tape Measure**

 • **Step Ladder - 8ft.
(2.4 m)**

 • **Carpenter's Level**

• **(2 each) Wrenches
and/or Socket Wrenches
and Sockets (Deep-Well
Sockets are
Recommended).**


1/2" 9/16" 3/4"

AND/OR

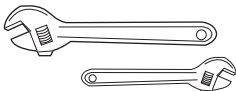



1/2" 9/16" 3/4"



• **Extension is
Recommended.**

**OPTIONAL TOOLS
AND MATERIALS:**



• **Large and Small
Adjustable Wrenches**

Backboard and Rim Owners Manual


Customer Service Center

• N53 W24700 South Corporate Circle • Sussex, WI 53089 • U.S.A.



Adult Assembly Required.

This manual, accompanied by sales receipt, should be saved and kept on hand as a convenient reference, as it contains important information about your model.



WARNING!

READ AND UNDERSTAND
OPERATOR'S MANUAL
BEFORE USING THIS UNIT.

FAILURE TO FOLLOW
OPERATING INSTRUCTIONS
COULD RESULT IN INJURY
OR DAMAGE TO PROPERTY.

**Write Model Number
From Box Here:**

Toll-Free Customer Service Number for U.S: **1-800-558-5234**,

For Canada: **1-800-284-8339**,

For Europe: **00 800 555 85234** (Sweden: **009 555 85234**),

For Australia: **1-800-632 7921**

Internet Address: <http://www.huffysports.com>



SAFETY INSTRUCTIONS



FAILURE TO FOLLOW THESE SAFETY INSTRUCTIONS MAY RESULT IN SERIOUS INJURY, PROPERTY DAMAGE AND WILL VOID WARRANTY.

Owner must ensure that all players know and follow these rules for safe operation of the system.

To ensure safety, do not attempt to assemble this system without following the instructions carefully. Proper and complete assembly, use and supervision is essential for proper operation and to reduce the risk of accident or injury. A high probability of serious injury exists if this system is not installed, maintained, and operated properly. Check entire box and inside all packing material for parts and/or additional instructional material. Before beginning assembly, read the instructions and identify parts using the hardware identifier and parts list in this document.

- Read and understand the warning label enclosed with hardware. It is the responsibility of the customer to mount this label. It should be affixed to the pole, wall, or door near playing area, at a height between 4-6 feet (1.22-1.83M) above ground level and in a location visible to all players.
- During assembly, if using a ladder use extreme caution. Two people are recommended for this operation.
- If technical assistance is required, contact Customer Service.
- Serious injury could occur if teeth/face come in contact with backboard, net or rim.
- Minimum operational height should be 6'6" (2M) to the bottom of backboard.

*Most injuries are caused by misuse and/or not following instructions.
Use caution when using this system.*

For more information on assembly, placement, proper use and maintenance, visit The American Basketball Council website at <http://www.smarthoops.com>.

NOTICE TO ASSEMBLERS

Adult Assembly Required. Dispose of ALL packaging materials promptly. As with all products, periodically inspect for loose small parts.

Assembled unit MUST be filled with sand or water at ALL times.




ALL basketball systems, including those used for DISPLAYS, MUST be assembled and installed according to instructions. Failure to follow instructions could result in SERIOUS INJURY. It is NOT acceptable to devise a makeshift support system.




WARNING
Read and understand warnings listed below before using this product.
Failure to follow these warnings may result in serious injury and/or property damage.

Owner must ensure that all players know and follow these rules for safe operation of the system.

- DO NOT HANG on the rim or any part of the system including backboard, support braces or net.
- During play, especially when performing dunk type activities, keep player's face away from the backboard, rim and net. Serious injury could occur if teeth/face come in contact with backboard, rim or net.
- During play, do not wear jewelry (rings, watches, necklaces, etc.). Objects may entangle in net.
- Check system before each use for loose hardware, excessive wear and signs corrosion and repair before use.
- Never play on damaged equipment.
- See instruction manual for proper installation and maintenance.



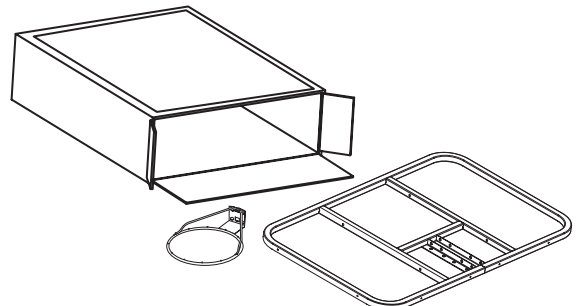
9

PRODUCT REGISTRATION:

Please remember to complete your product registration form on-line at:
www.huffysports.com/customer_support/product_registration.

IMPORTANT!

**Remove all contents from boxes.
Be sure to check inside pole sections;
hardware and additional parts are packed inside.**



Questions or Missing Parts?

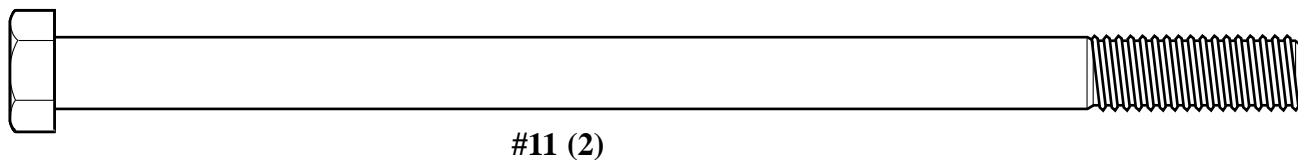
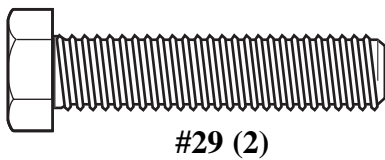
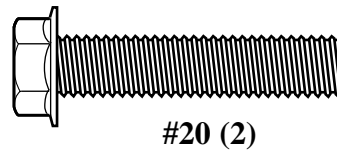
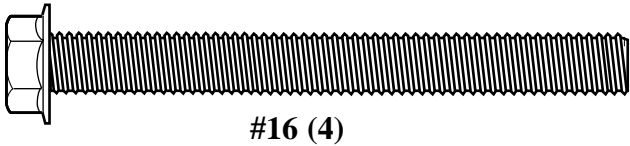
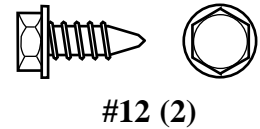
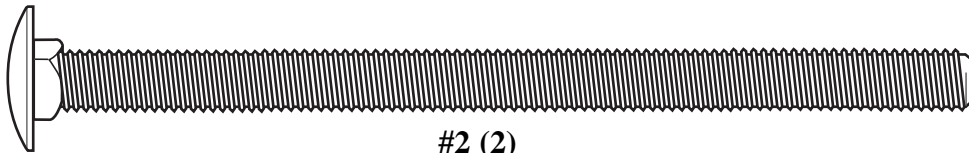
DON'T go back to store!

Call TOLL-FREE Customer Service Number listed on the front page!

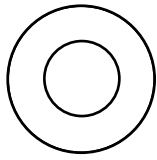
PARTS LIST - See Hardware Identifier

<u>Item</u>	<u>Qty.</u>	<u>Part No.</u>	<u>Description</u>	<u>Item</u>	<u>Qty.</u>	<u>Part No.</u>	<u>Description</u>
1	1		Rim	16	4	201611	Bolt, Hex, 5/16x3" Long
2	2	20260401	Bolt, Carriage 3/8 x 4.75" Long	17	6	203100	Whiz Nut, 5/16"
3	2	203474	Washer, Flat, 1"O.D.	18	1		Net
4	2	203017	Hex Nut, 3/8"	19	1		Label, Logo
5	4	203063	Nylon Nut, 3/8"	20	2	203798	Bolt, Hex, 5/16-18 x 1.5" Long
6	8	203232	Washer, 3/4" O.D.	21	1	579800	Warning Label
7	2	200484	Spring	22	2	203274	Foam Pad 3/32 x 5 x 5
8	2	202601	Washer	23	2	202603	Nylon Washer
9	1	202531	Tension and Leveling Label	24	2	202602	Lock Washer
10	2	20252301	Spacer	25	2	202636	Special Nut, Locking
11	2	203439	Bolt, Hex, 3/8 x 6" Long	26	2	203795	Special Nut
12	2	220140	Screw, Self Tap	27	1	90832901	H-Frame
13	1	90808703	Bracket - Red	28	1	205457	Foam Tape
		91808703	Bracket - Pumpkin	29	2	204622	Bolt, Hex, 3/8 x 1.75" Long
14	1	10808501	Inner Bracket - Zinc	30	2	200580	Bracket, Angle, 1.5" x 1.4"
15	1	90808603	Cover Plate - Red	31	1		Backboard
		91808603	Cover Plate - Pumpkin				

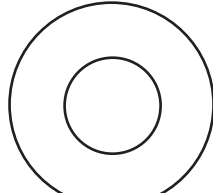
HARDWARE IDENTIFIER (BOLTS)



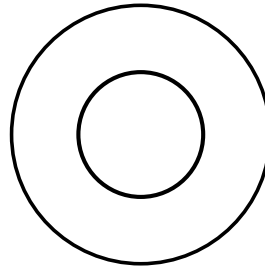
HARDWARE IDENTIFIER (NUTS, WASHERS & SPACERS)



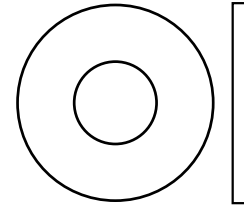
#6 (8)



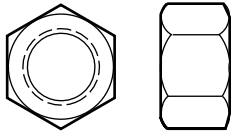
#3 (2)



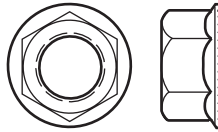
#8 (2)



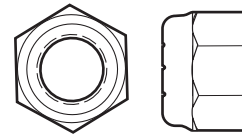
#23 (2)



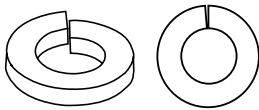
#4 (2)



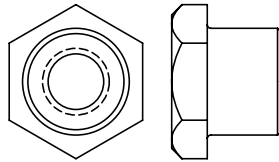
#17 (6)



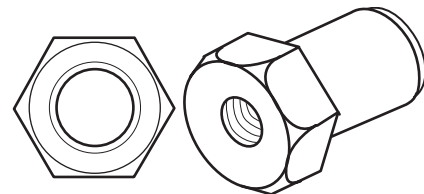
#5 (4)



#24 (2)



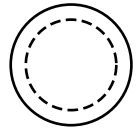
#25 (2)



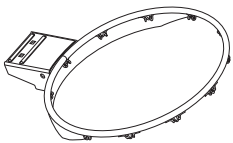
#26 (2)



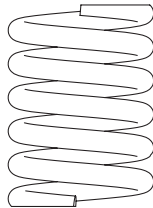
#10 (2)



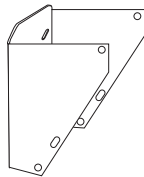
HARDWARE IDENTIFIER (Not Actual Size)



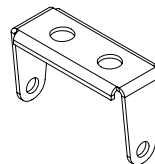
#1 (1)



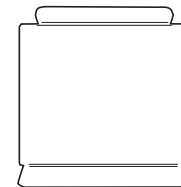
#7 (2)



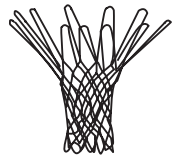
#13 (1)



#14 (1)



#15 (1)



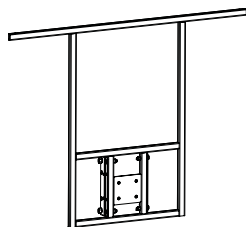
#18 (1)



#19 (1)



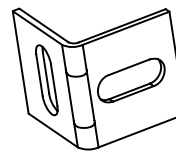
#22 (2)



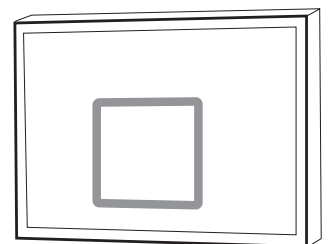
#27 (1)



#28 (1)



Item #30 (2)



#31 (1)

ASSEMBLE THE BACKBOARD AND RIM

This is what your system will look like when you've finished this section:



WARNING!



IF YOUR SYSTEM IS EQUIPPED WITH AN ACRYLIC BACKBOARD, EXAMINE BACKBOARD FOR ANY DAMAGE THAT MAY HAVE OCCURRED DURING SHIPMENT. CRACKS IN THE BACKBOARD COULD RESULT IN SUDDEN BREAKAGE. IF BACKBOARD IS DAMAGED IN ANY WAY PRIOR TO OR AFTER ASSEMBLY, CALL TOLL-FREE NUMBER:

U.S. 1-800-558-5234; CANADA: 1-800-284-8339; <http://www.huffysports.com>

TOOLS REQUIRED

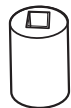
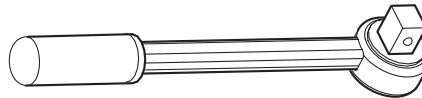


1/2"

9/16"

3/4"

AND/OR



1/2"



9/16"



3/4"

1.

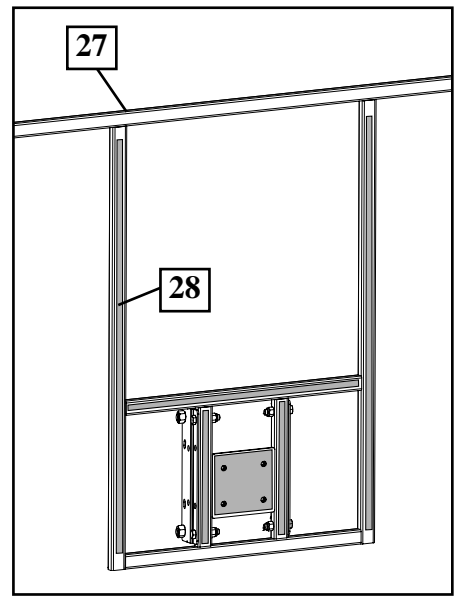
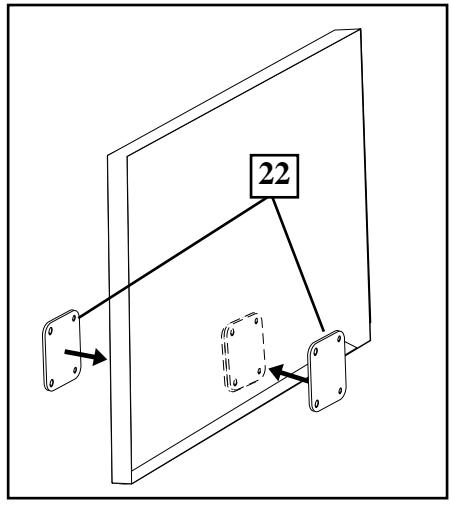
Attach foam pad (22) to both front and back of backboard so that holes on pad line up with holes on backboard as shown. Attach foam (28) to H-Frame (27) as shown.

NOTE:
We recommend mounting backboard to a solid material (steel) behind rim area.

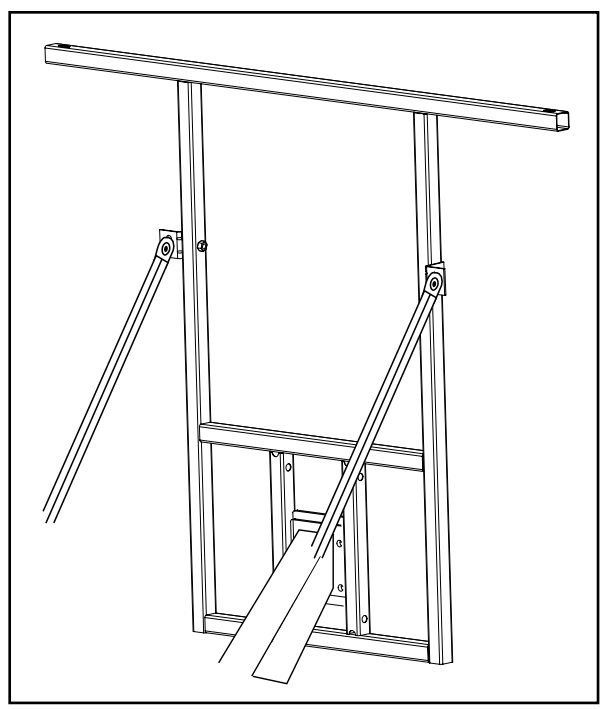
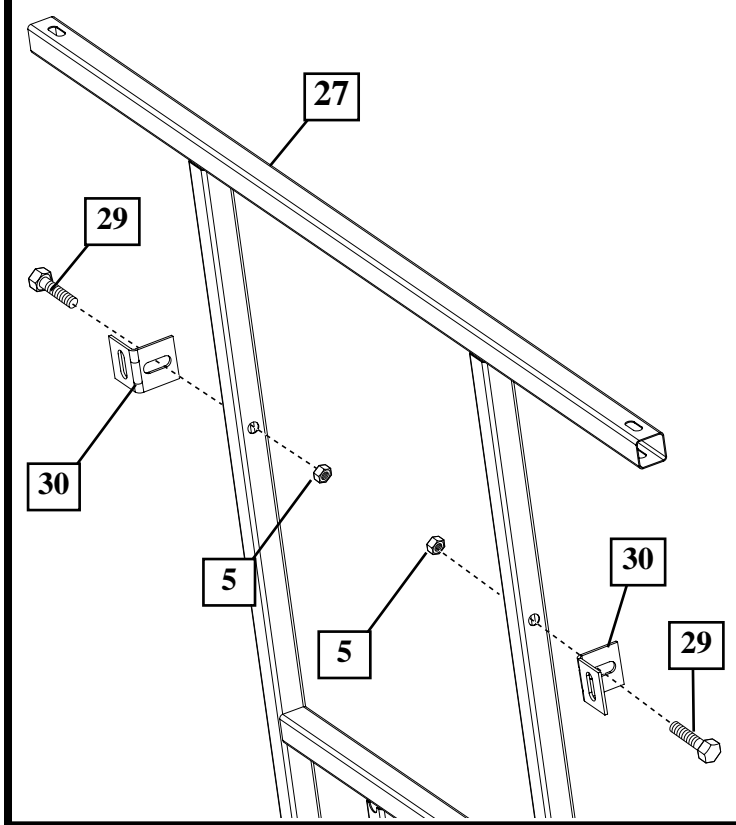
WARNING!



TWO CAPABLE ADULTS REQUIRED FOR THIS PROCEDURE. FAILURE TO FOLLOW THIS WARNING COULD RESULT IN SERIOUS INJURY AND/OR PROPERTY DAMAGE.



NOTE:
If being used with an extension arm attach angled brackets (30) to H-Frame as shown.

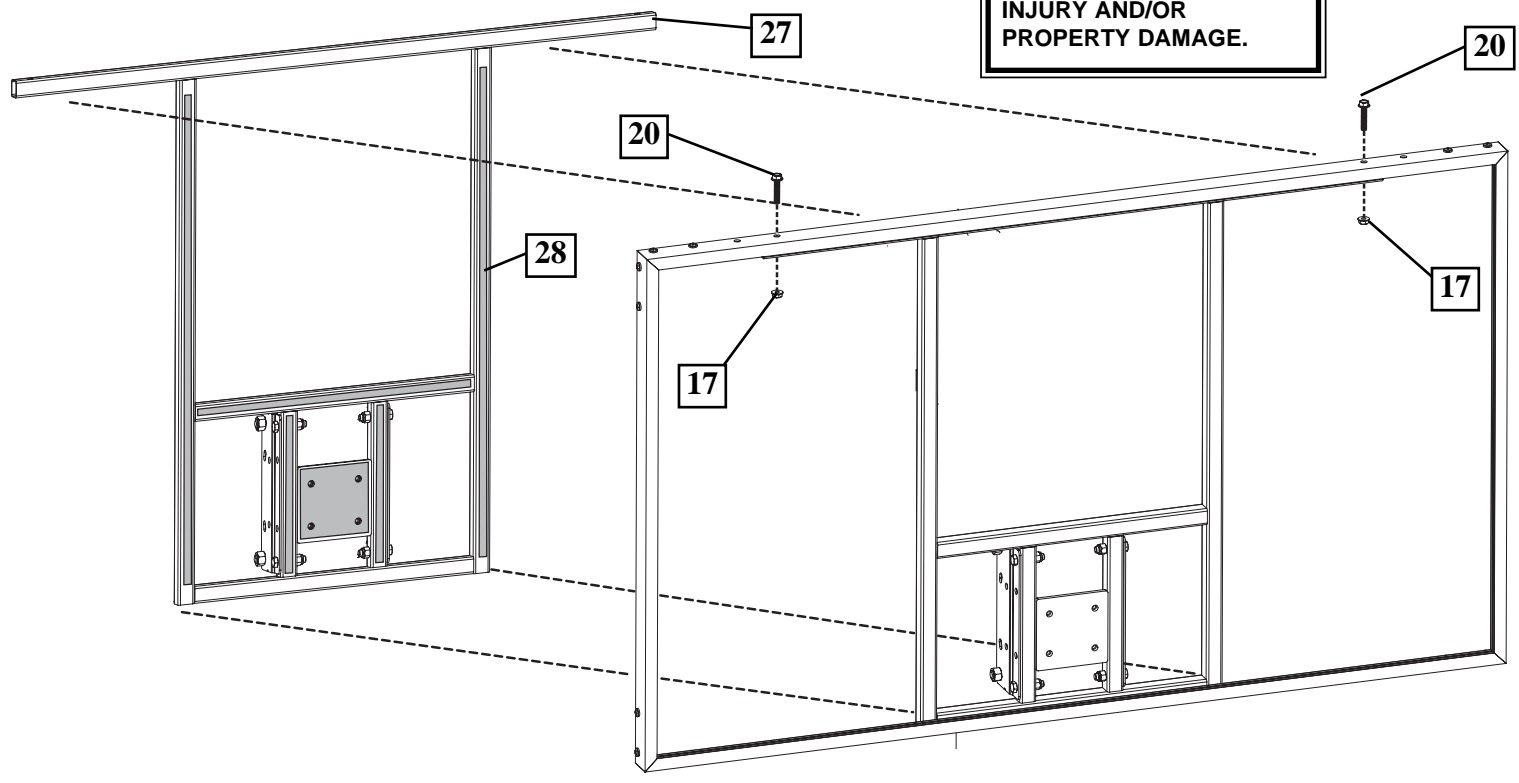


2. Lift backboard upright and insert bolt (20) through board into H-frame (27). Secure using nut (17) as shown.

WARNING!

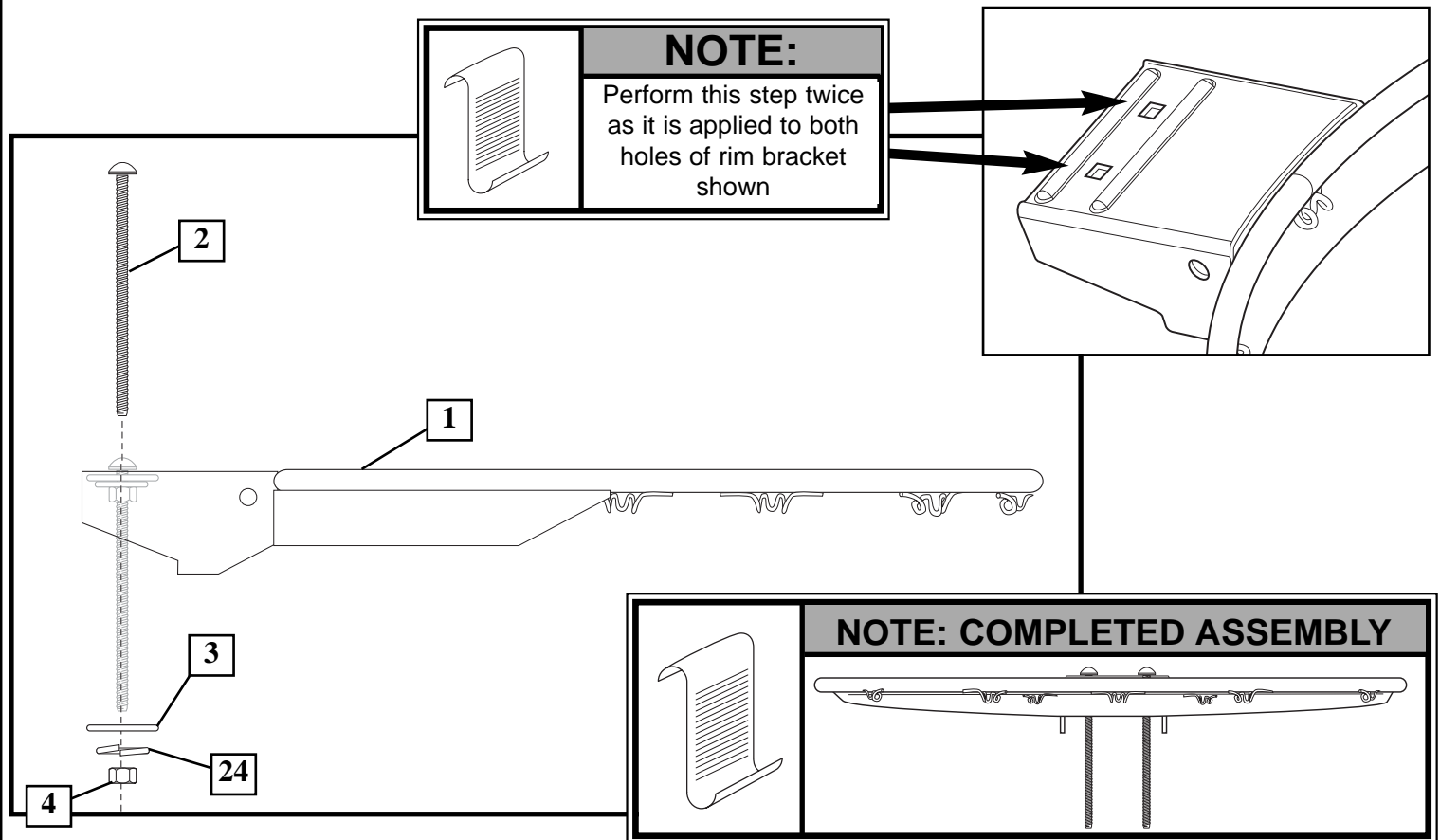


TWO CAPABLE ADULTS
REQUIRED FOR THIS
PROCEDURE. FAILURE
TO FOLLOW THIS
WARNING COULD
RESULT IN SERIOUS
INJURY AND/OR
PROPERTY DAMAGE.

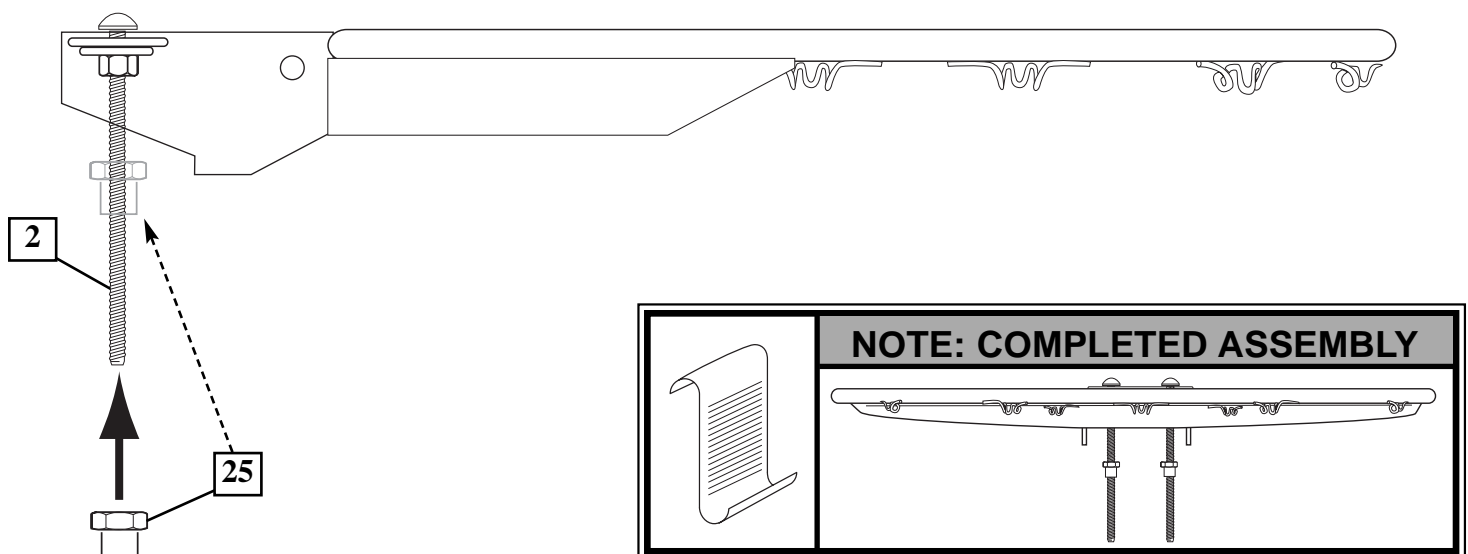


RIM ASSEMBLY & INSTALLATION

- 3.** Install two carriage bolts (2) through rim (1), washers (3), and lock washers (24) as shown. Tighten nuts (4) completely.

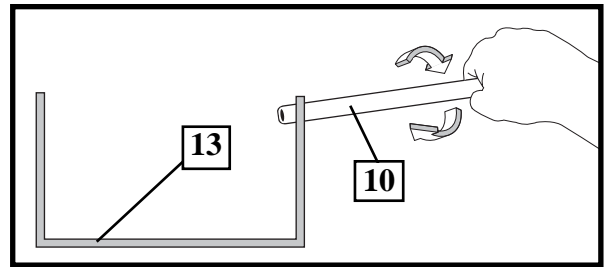


- 4.** Place a special locking nut (25) approximately half-way up on each carriage bolt (2) as shown. Keep the two special locking nuts (25) at the same level.

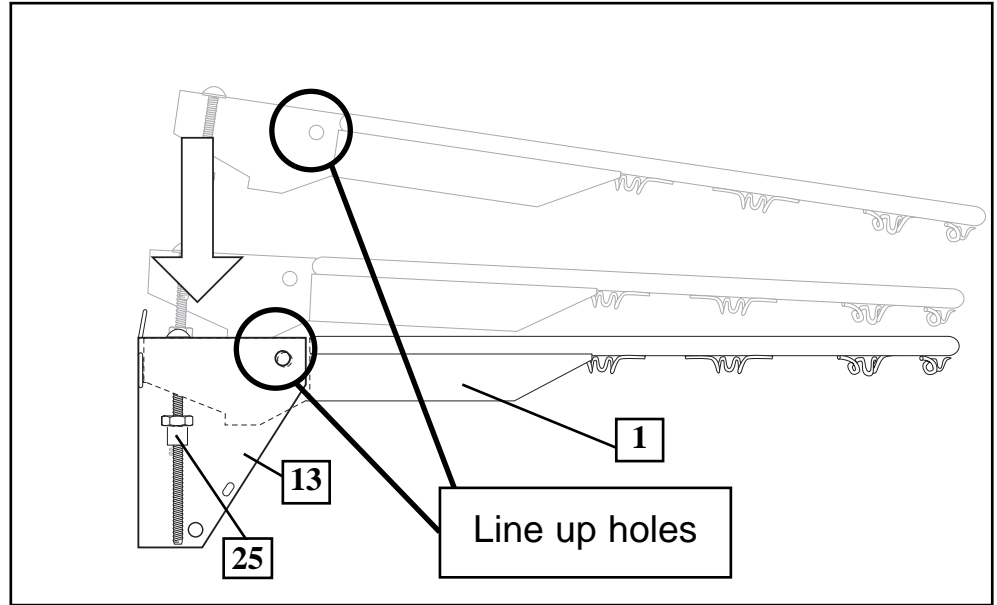


5.

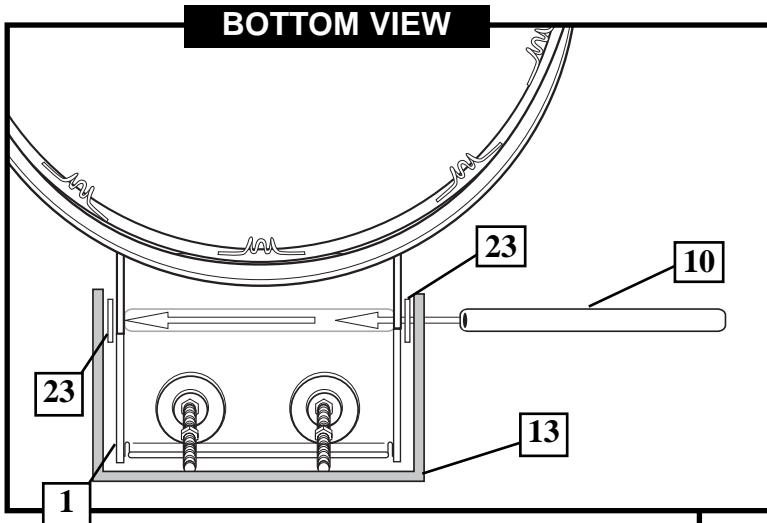
First, test fit spacer (10) into back bracket (13) and Carefully rock in a circular motion to ream out any excess paint from holes *if necessary*.



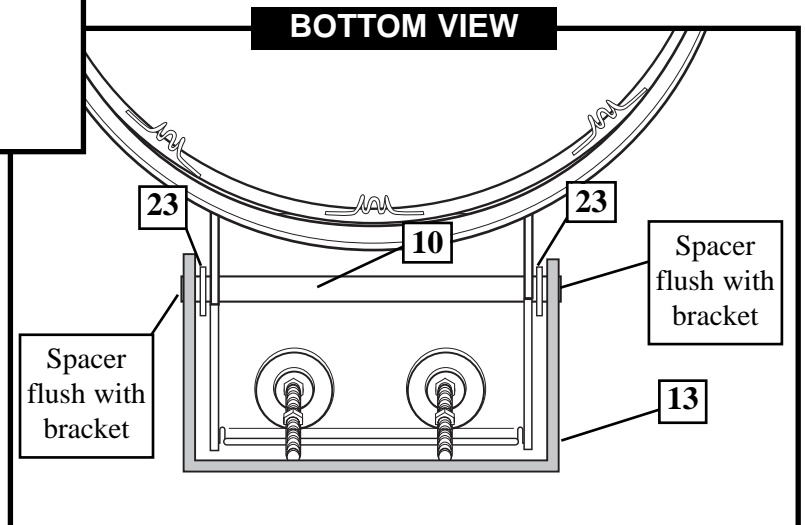
Place rim (1) into back bracket (13) so that the holes are properly aligned.



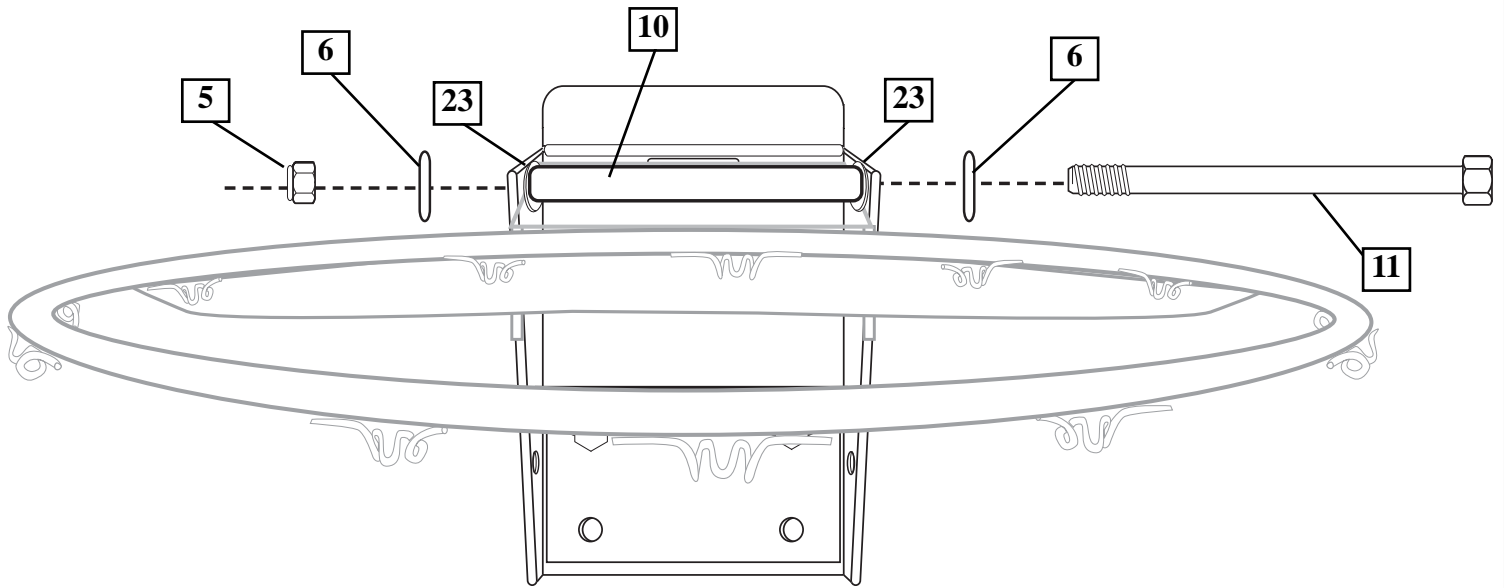
Then, insert spacer (10) through back bracket (13), nylon washers (23) and rim assembly (1).



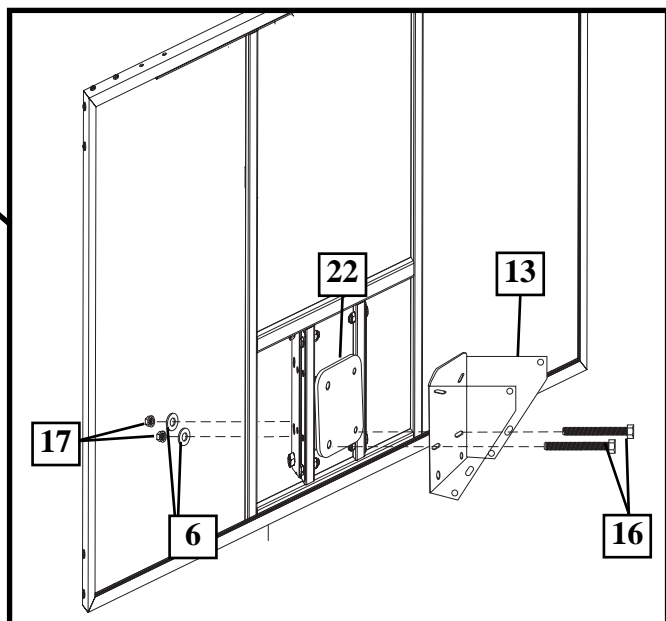
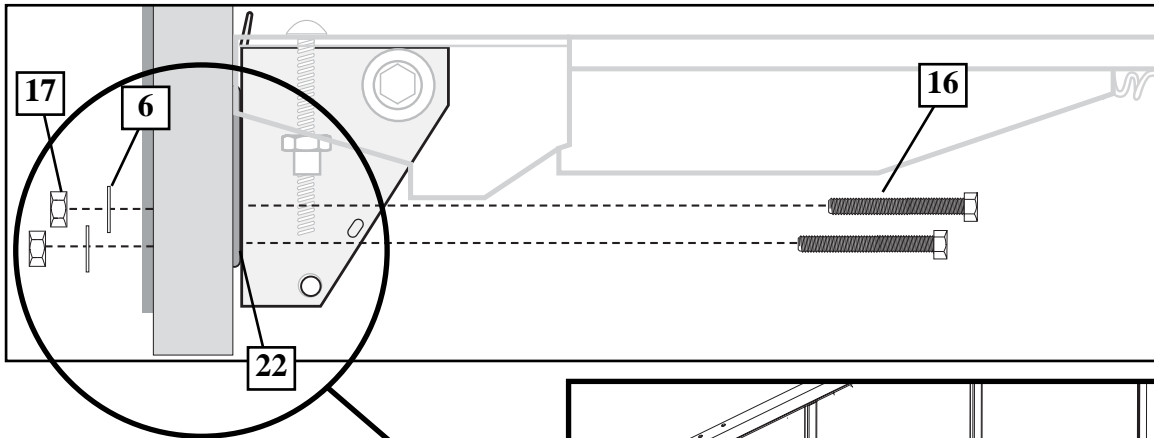
	NOTE:
	Ends of spacer (10) should be flush on both sides of board bracket (13).



6. Install bolt (11) through top holes on bracket (13) using washers (6) and nut (5) as shown. Tighten completely.

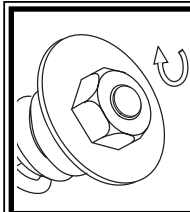


7. Attach rim assembly to backboard and support structure by inserting bolts (16) through bottom holes in back bracket (13). Secure with nuts (17) and washers (6). Tighten nuts (17) completely.



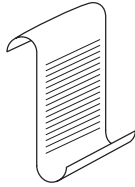
8.

Position rim assembly (1) 90 degrees to back bracket (13) as shown. Place inner-bracket (14) over both carriage bolts (2) followed by springs (7), washers (8) and special nuts (26).



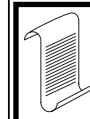
NOTE:

Tighten special nuts (26) until flush with end of carriage bolts (2) as shown.

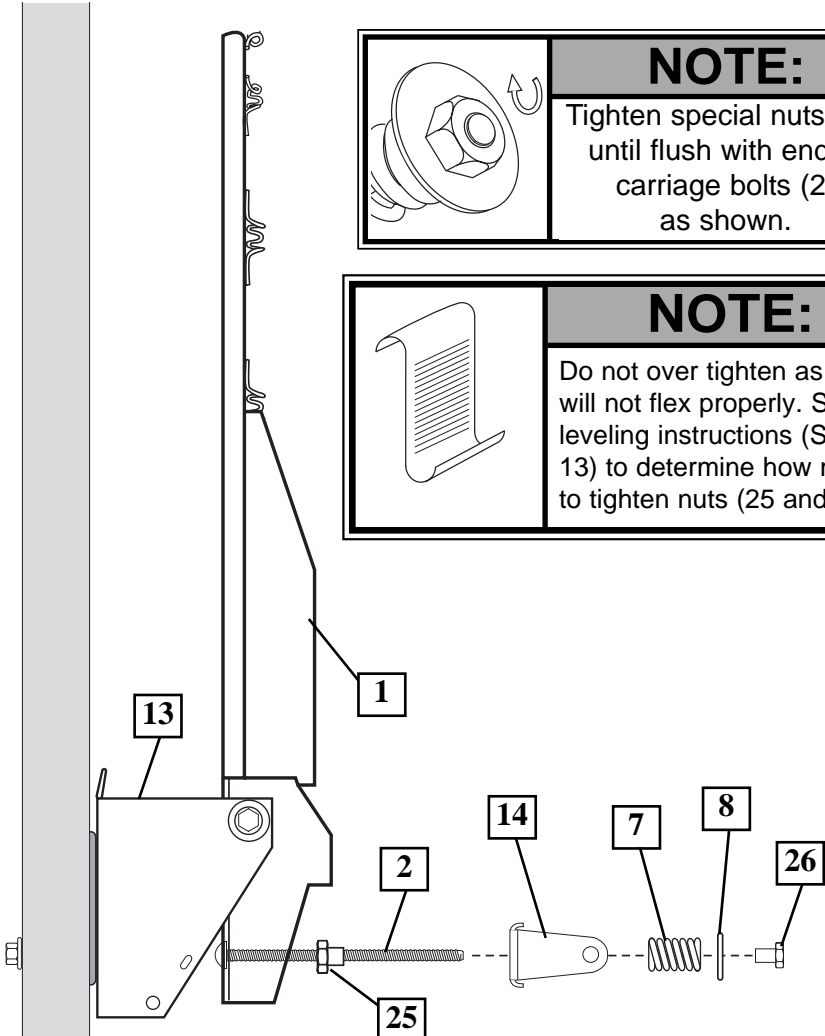
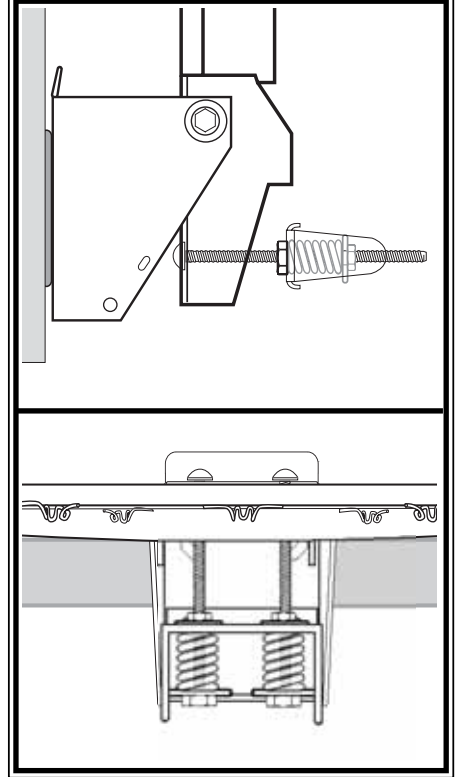


NOTE:

Do not over tighten as rim will not flex properly. See leveling instructions (Step 13) to determine how much to tighten nuts (25 and 26).

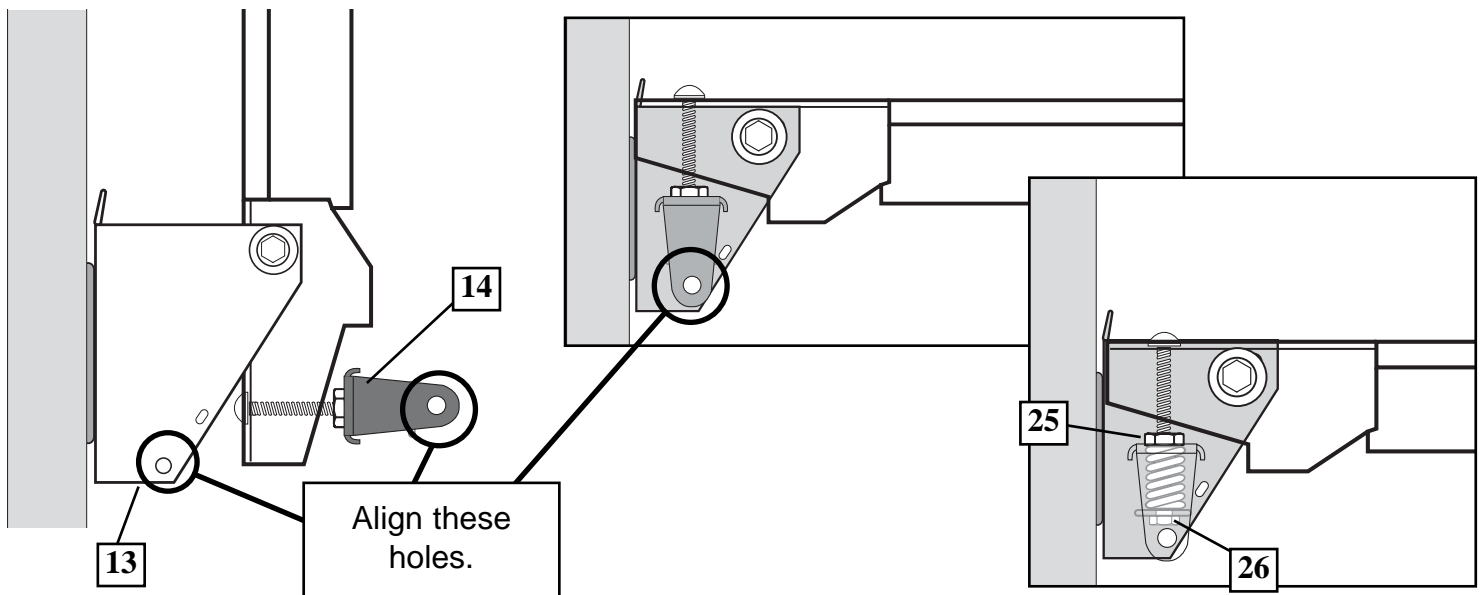


**NOTE:
COMPLETED
ASSEMBLY**

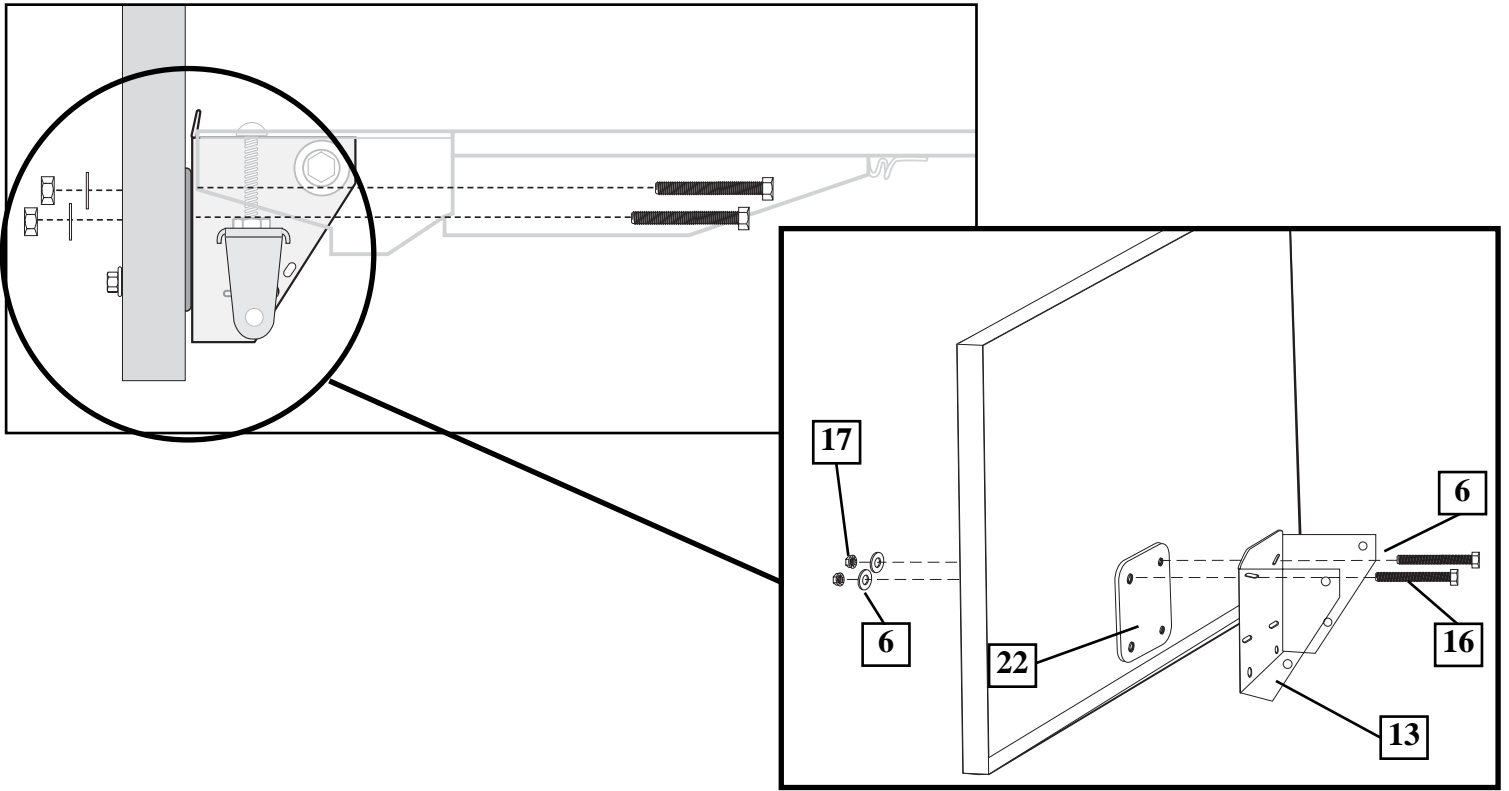


9.

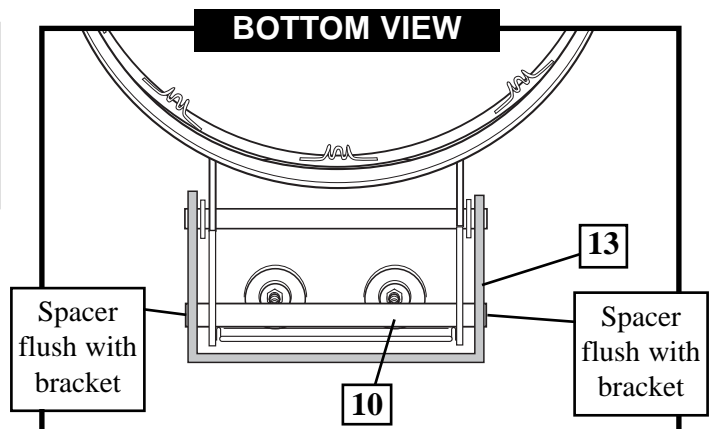
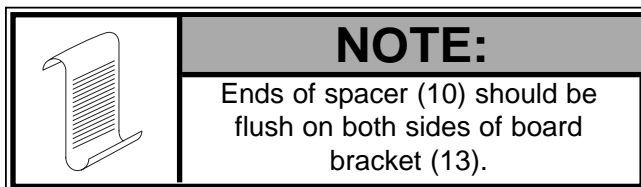
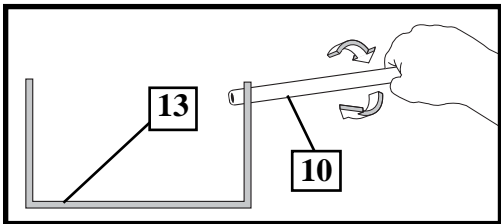
Lower lower rim down. Holes in inner bracket (14) should line up with holes in backboard bracket (13). If not, adjust special locknuts (25 & 26) until holes are aligned.



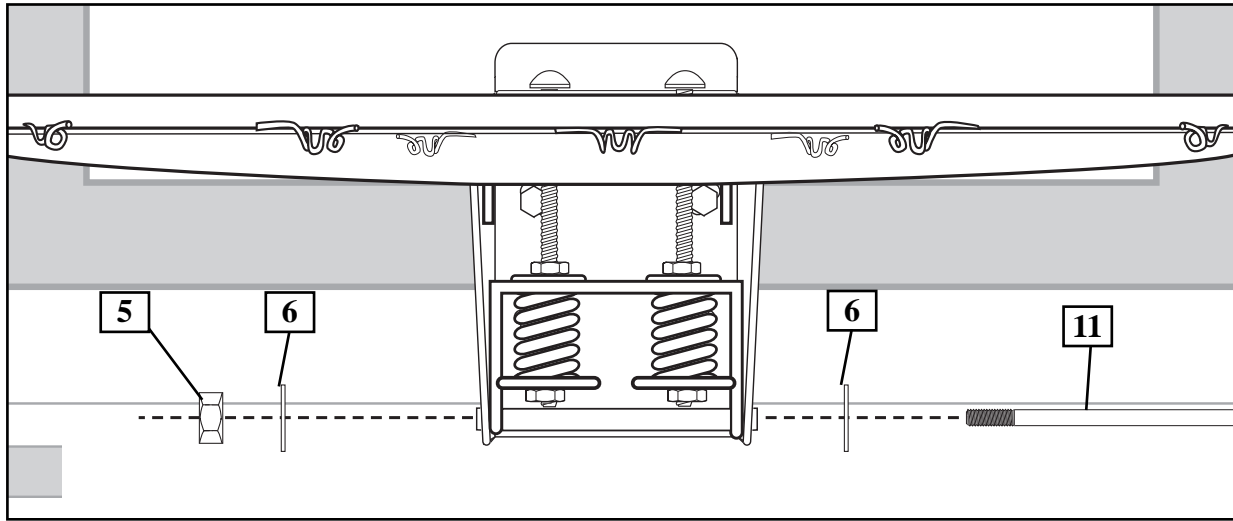
- 10.** Secure back bracket (13) fully to backboard by inserting bolts (16) through upper holes in back bracket (13), Add washers (6) and nuts (17) to bolts (16). Tighten nuts (17) completely.



- 11.** First, test fit spacer (10) into back bracket (13) and Carefully rock in a circular motion to ream out any excess paint from holes *if necessary*. Insert spacer (10) through bottom holes in board bracket (13) and inner bracket (14).



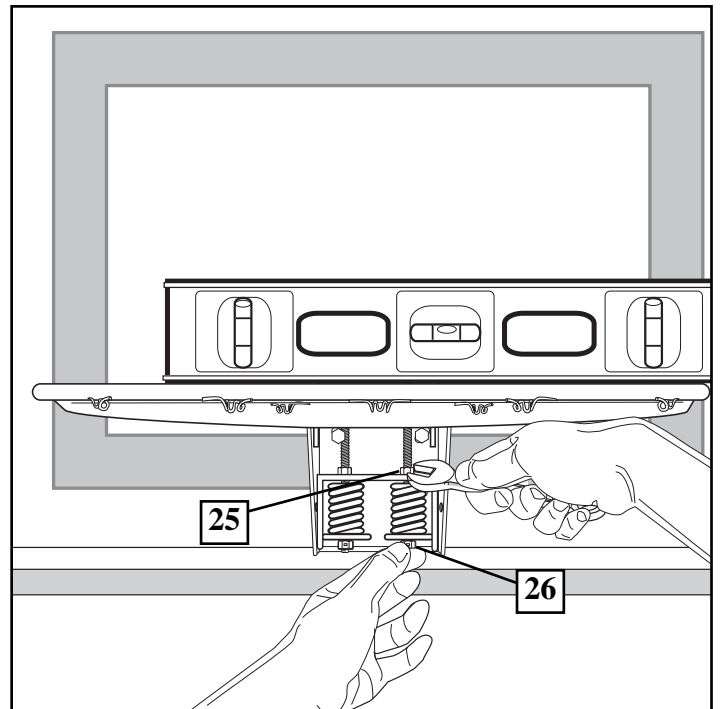
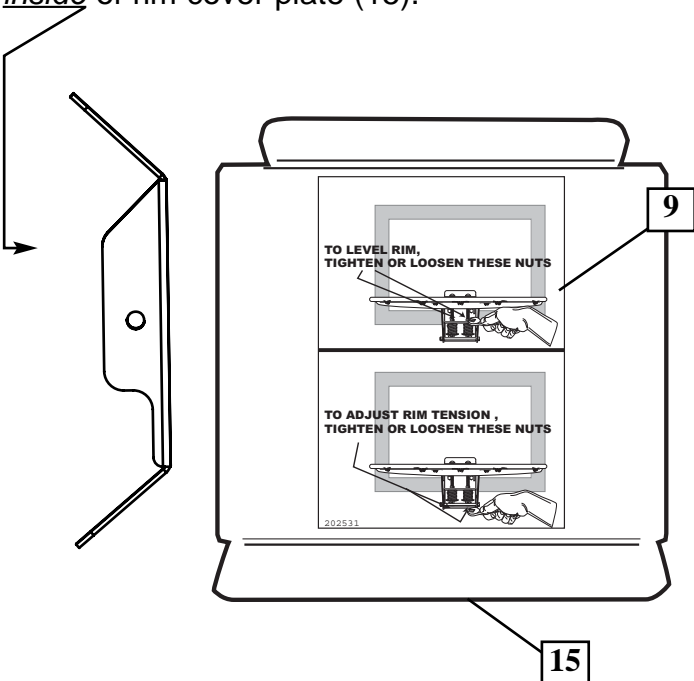
12. Then, install bolt (11), washers (6), and nut (5) through spacer (10) and tighten completely.



13.

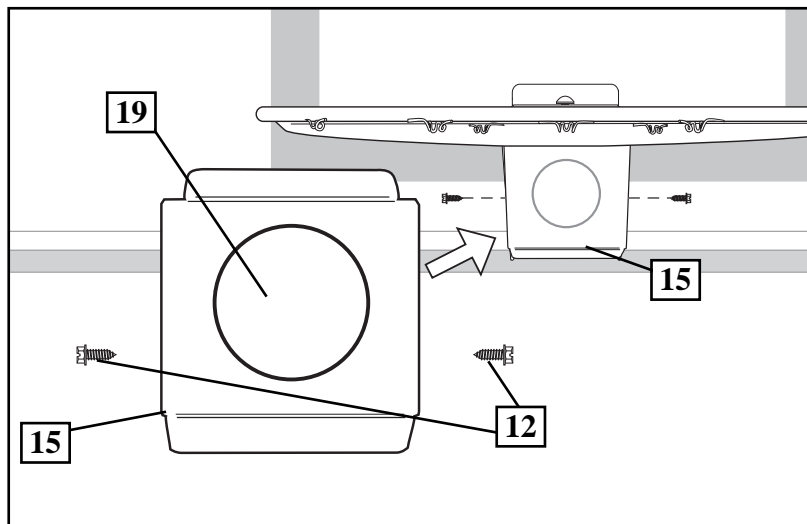
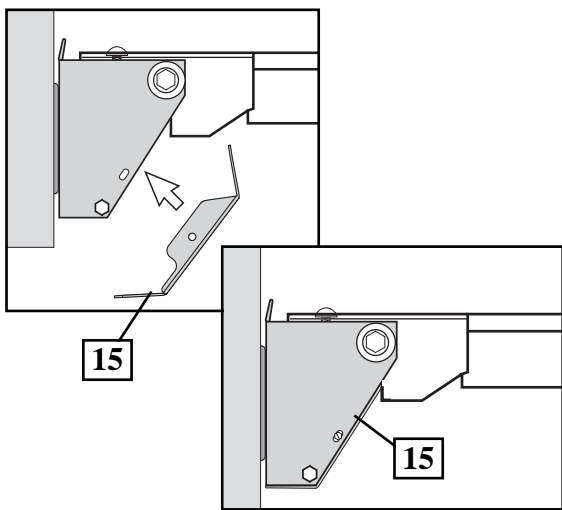
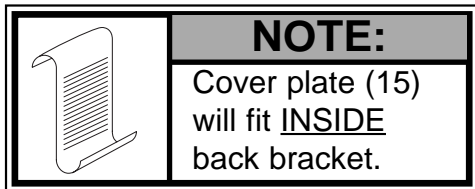
LEVELING AND TENSION ADJUSTING INSTRUCTIONS:

Adhere leveling and tension adjusting label (9) to *inside* of rim cover plate (15).

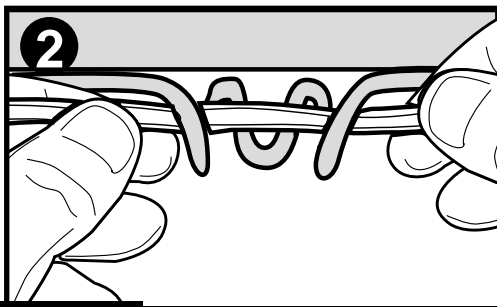
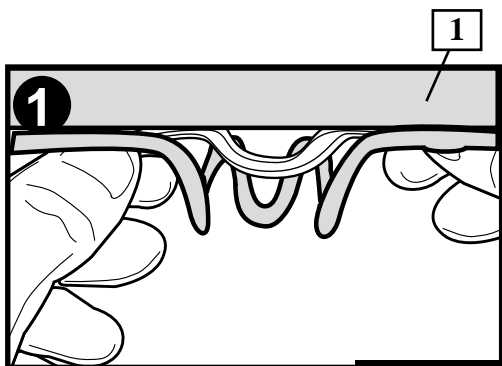


Place level on rim (1) and adjust nut (25) until level. Tighten nut (26) to set rim tension for playing.

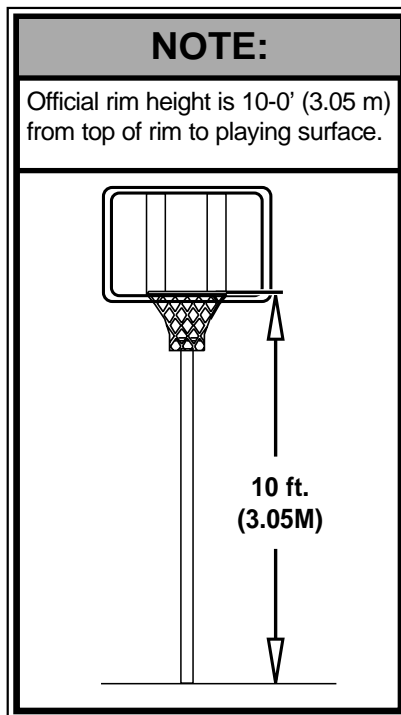
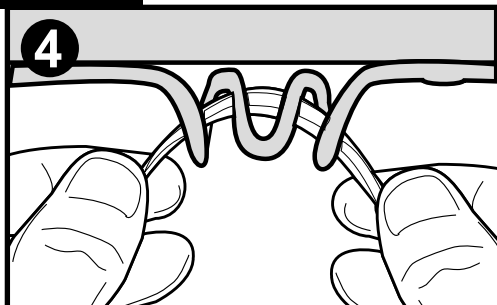
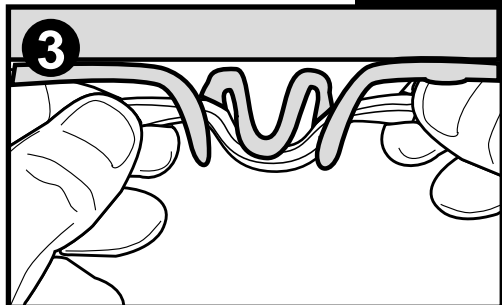
14. Apply logo label (19) to cover plate (15). Install cover plate (15) on rim (1) using self tapping screws (12) as shown (note orientation of cover plate).



15. Secure net (18) to rim (1).



OUTSIDE VIEW



Free Manuals Download Website

<http://myh66.com>

<http://usermanuals.us>

<http://www.somanuals.com>

<http://www.4manuals.cc>

<http://www.manual-lib.com>

<http://www.404manual.com>

<http://www.luxmanual.com>

<http://aubethermostatmanual.com>

Golf course search by state

<http://golfingnear.com>

Email search by domain

<http://emailbydomain.com>

Auto manuals search

<http://auto.somanuals.com>

TV manuals search

<http://tv.somanuals.com>