



**REQUIRED TOOLS
AND MATERIALS:**

 • 2 People

 • Tape Measure

 • Step Ladder - 8ft.
(2.4 m)

• (2 each) Wrenches
and/or Socket Wrenches
and Sockets (Deep-Well
Sockets are
Recommended).



1/2"

AND/OR

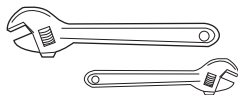


1/2"



• Extension is
Recommended.

**OPTIONAL TOOLS
AND MATERIALS:**



• Large and Small
Adjustable Wrenches

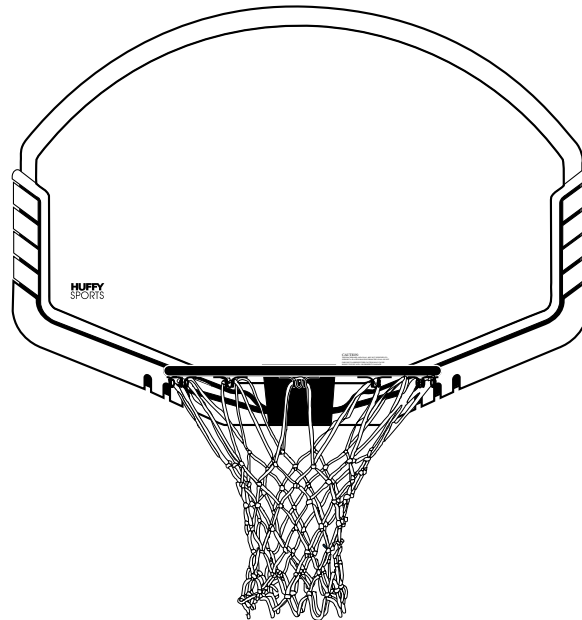
HUFFY[®]SPORTS


A DIVISION OF RUSSELL CORPORATION

Backboard and Rim Owners Manual

Customer Service Center

• N53 W24700 South Corporate Circle • Sussex, WI 53089 • U.S.A.



	! WARNING!
	READ AND UNDERSTAND OPERATOR'S MANUAL BEFORE USING THIS UNIT.
	FAILURE TO FOLLOW OPERATING INSTRUCTIONS COULD RESULT IN INJURY OR DAMAGE TO PROPERTY.

**Write Model Number
From Box Here:**

Toll-Free Customer Service Number for U.S: 1-800-558-5234,

For Canada: 1-800-284-8339,

For Europe: 00 800 555 85234 (Sweden: 009 555 85234),

For Australia: 1-800-632 7921

Internet Address: <http://www.huffysports.com>



SAFETY INSTRUCTIONS



FAILURE TO FOLLOW THESE SAFETY INSTRUCTIONS MAY RESULT IN SERIOUS INJURY, PROPERTY DAMAGE AND WILL VOID WARRANTY.

Owner must ensure that all players know and follow these rules for safe operation of the system.

To ensure safety, do not attempt to assemble this system without following the instructions carefully. Proper and complete assembly, use and supervision is essential for proper operation and to reduce the risk of accident or injury. A high probability of serious injury exists if this system is not installed, maintained, and operated properly. Check entire box and inside all packing material for parts and/or additional instructional material. Before beginning assembly, read the instructions and identify parts using the hardware identifier and parts list in this document.

- Read and understand the warning label enclosed with hardware. It is the responsibility of the customer to mount this label. It should be affixed to the pole, wall, or door near playing area, at a height between 4-6 feet (1.22-1.83M) above ground level and in a location visible to all players.
- During assembly, if using a ladder use extreme caution. Two people are recommended for this operation.
- If technical assistance is required, contact Huffy Sports.
- Serious injury could occur if teeth/face come in contact with backboard, net or rim.
- Minimum operational height should be 6'6" (2M) to the bottom of backboard.

*Most injuries are caused by misuse and/or not following instructions.
Use caution when using this system.*

For more information on assembly, placement, proper use and maintenance, visit The American Basketball Council website at <http://www.smarthoops.com>.

NOTICE TO ASSEMBLERS

ALL Huffy Sports basketball systems, including those used for DISPLAYS, MUST be assembled and ballasted with sand or water according to instructions. Failure to follow instructions could result in SERIOUS INJURY. It is NOT acceptable to devise a makeshift weight system.

WARNING

FAILURE TO FOLLOW THESE WARNINGS MAY RESULT IN SERIOUS INJURY AND/OR PROPERTY DAMAGE.

Owner must ensure that all players know and follow these rules for safe operation of the unit.

- See instruction manual for proper installation and maintenance.
- Use caution when performing dunk type activities on this unit.
- Do not hang from any part of unit, including backboard, support braces, rim or net.
- Check unit before each use for loose hardware, excessive wear and signs of corrosion and repair before using.
- During play, use extreme caution to keep player's face away from the backboard, rim or net. Serious injury could occur if teeth/face come in contact with backboard, rim or net.
- During play, do not wear jewelry (rings, watches, necklaces, etc.) Objects may entangle in net.

HUFFY SPORTS

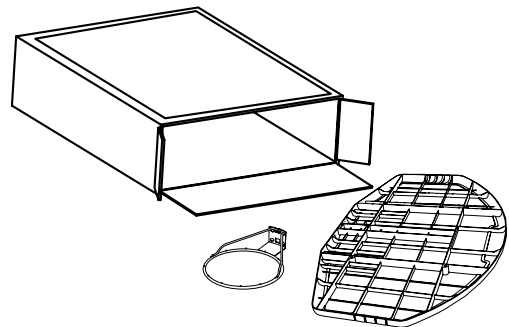
In the U.S.: 1-800-558-5234 and Canada Only: 1-800-284-8339
In Australia: 1-800-632-792 206118 5/97

WARRANTY CARD:

Please remember to complete your product registration form either on-line at: www.huffysports.com/warrantycard or mail-in the enclosed postcard.

IMPORTANT!

**Remove all contents from boxes.
Be sure to check inside pole sections;
hardware and additional parts are packed inside.**



Questions or Missing Parts?

DON'T go back to store!

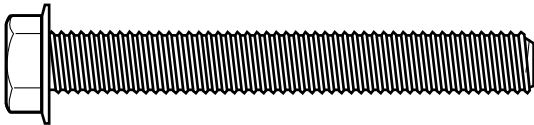
Call TOLL-FREE Customer Service Number listed on the front page!

PARTS LIST - See Hardware Identifier

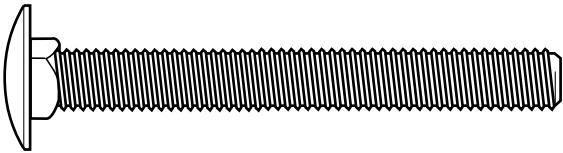
<input checked="" type="checkbox"/>	<u>Item</u>	<u>Qty.</u>	<u>Part No.</u>	<u>Description</u>
<input type="checkbox"/>	1	1	206118	Warning Label
<input type="checkbox"/>	2	4	203113	Bolt, Hex Flange, 5/16-18 x 2.5 Long
<input type="checkbox"/>	3	2	203038	Bolt, Carriage, 5/16-18 x 2.75 Long
<input type="checkbox"/>	4	6	203309	Washer, 1" O.D.
<input type="checkbox"/>	5	6*	203100	Nut, Hex Flange, 5/16-18
<input type="checkbox"/>	6	1		Rim
<input type="checkbox"/>	7	1		Net
<input type="checkbox"/>	8	1		Backboard

* YOU MAY HAVE EXTRA PARTS WITH THIS MODEL.

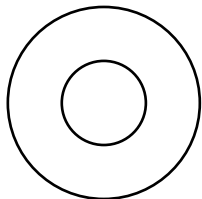
HARDWARE IDENTIFIER



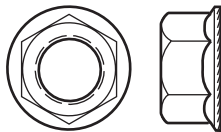
#2 (4)



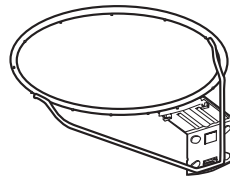
#3 (2)



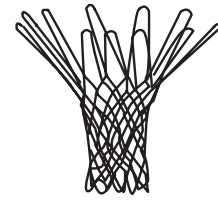
#4 (6)



#5 (6)*



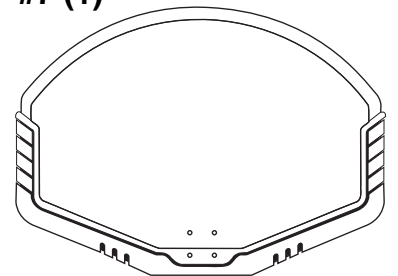
#6 (1)



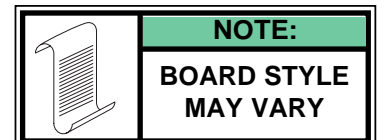
#7 (1)



#1 (1)



#8 (1)




ASSEMBLY INSTRUCTIONS

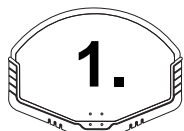
▲ WARNING: IT IS RECOMMENDED TO MOUNT BACKBOARD TO A SOLID (STEEL) SUPPORT.



! WARNING!
TWO PEOPLE REQUIRED FOR THIS PROCEDURE. FAILURE TO FOLLOW THIS WARNING COULD RESULT IN SERIOUS INJURY AND/OR PROPERTY DAMAGE.

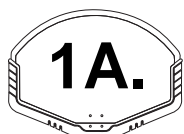


! WARNING!
WHEN MOUNTING THE BACKBOARD ASSEMBLY TO THE POLE IS PERFORMED AT AN ELEVATED HEIGHT. USE PROPER PRECAUTION.

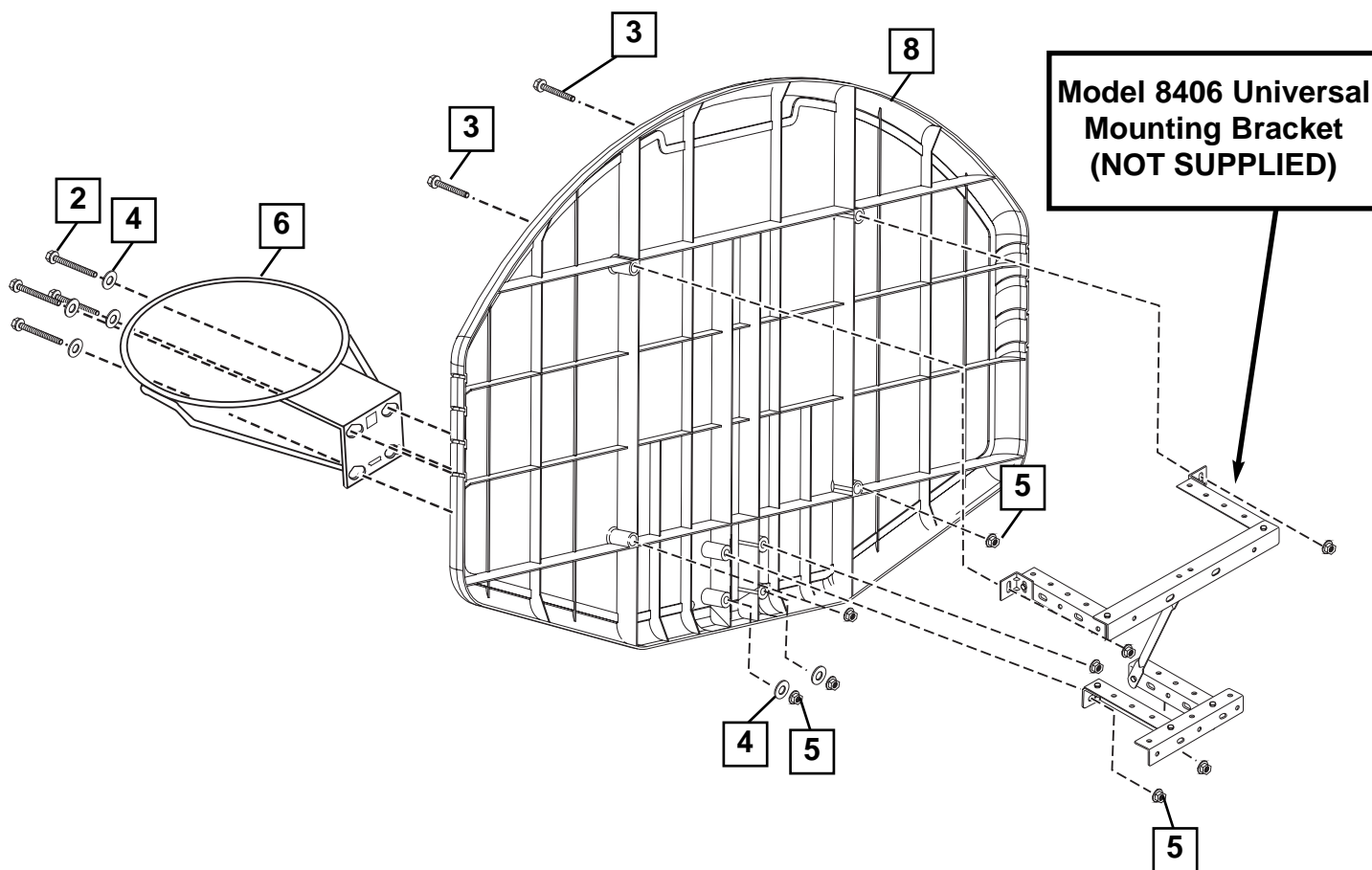


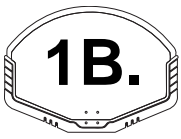
Mounting Options "A, B or C"

Attach rim (6) to backboard as shown.

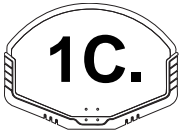
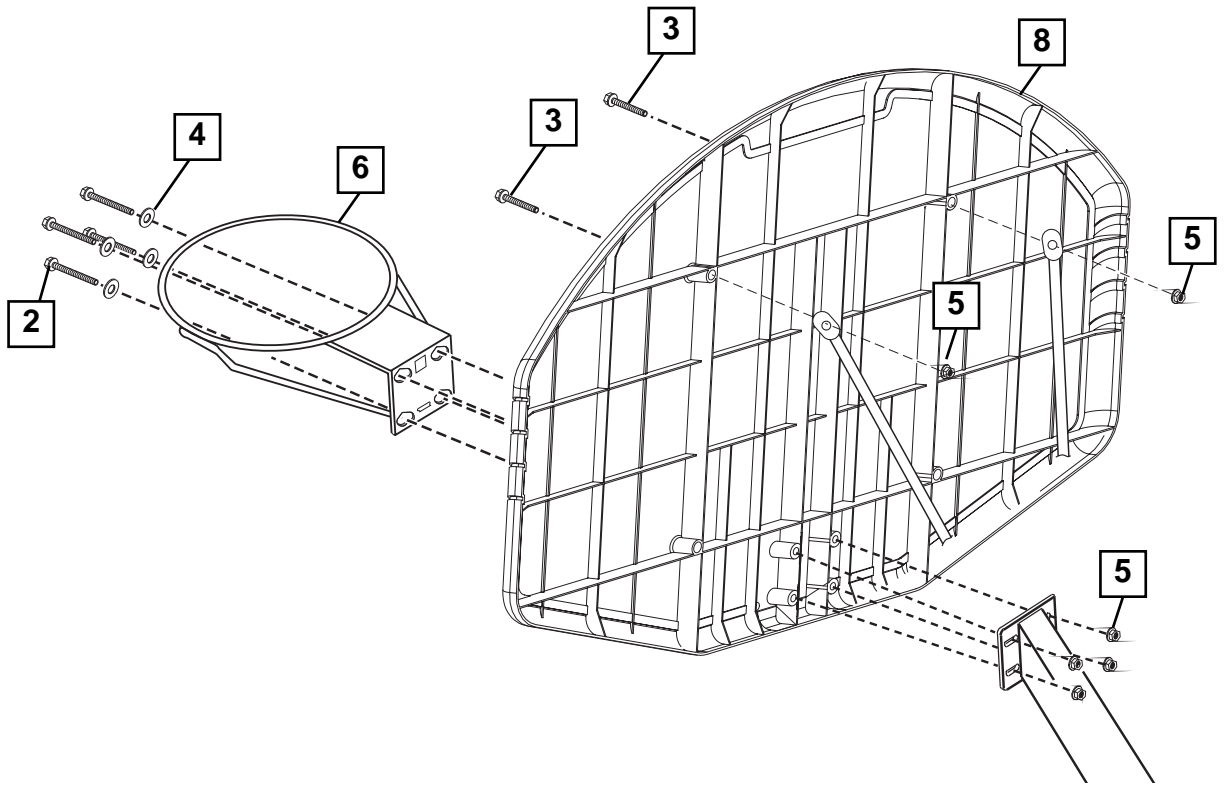


1A. UNIVERSAL MOUNTING BRACKET INSTALLATION

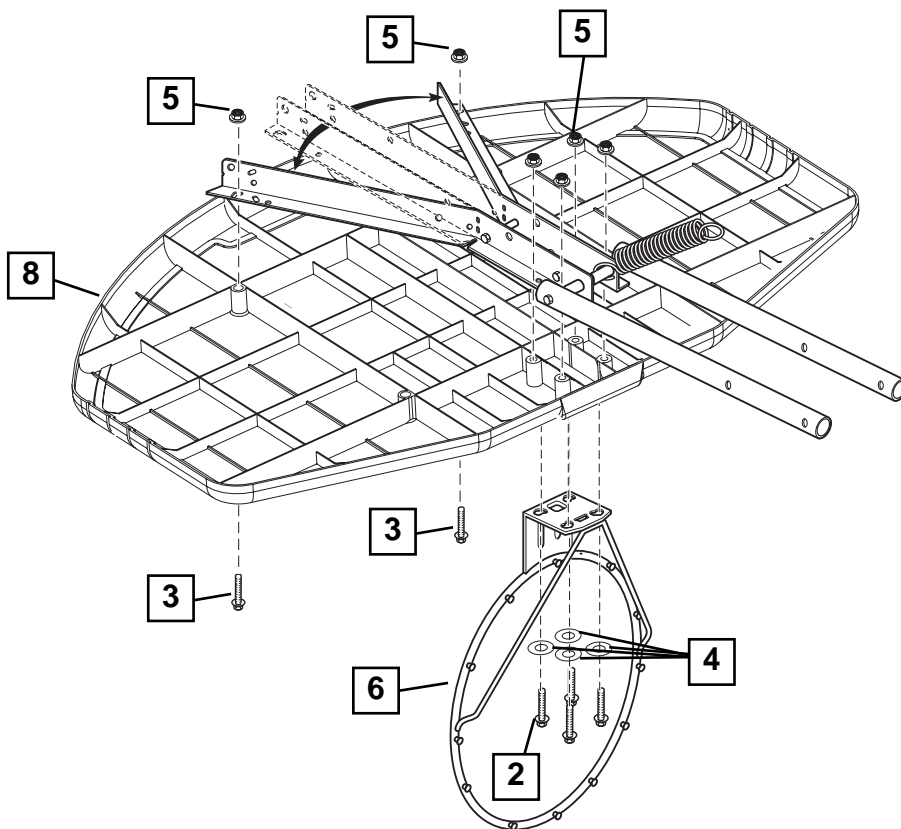


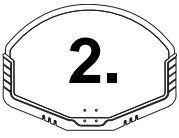


EXTENSION ARM INSTALLATION

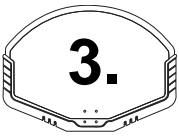
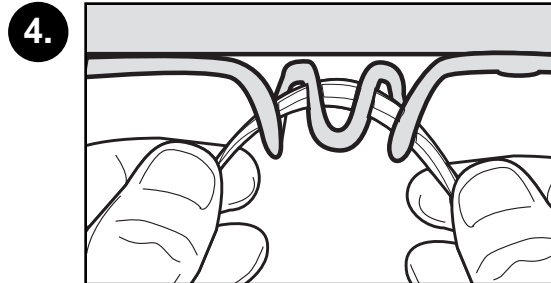
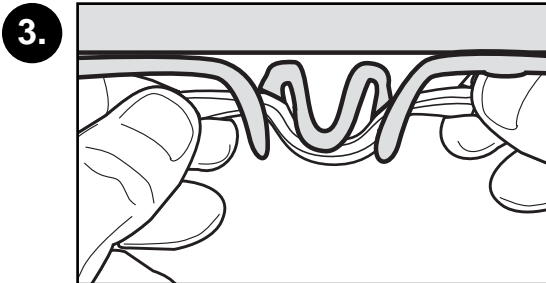
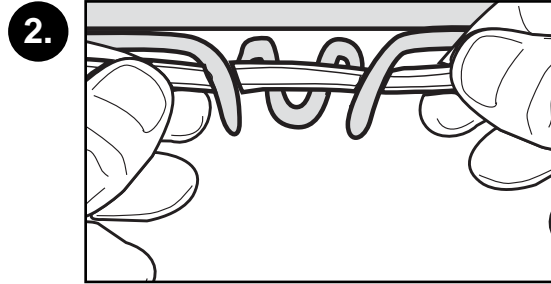
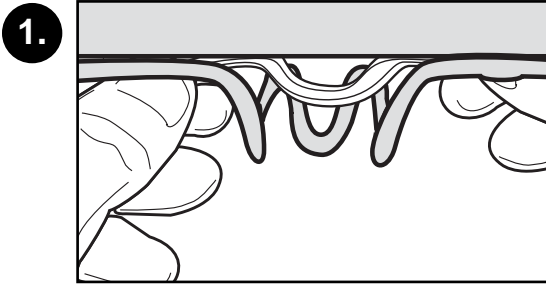


ELEVATOR INSTALLATION






Install net (7).



▲ Place warning label (1) in location clearly visible within playing area.

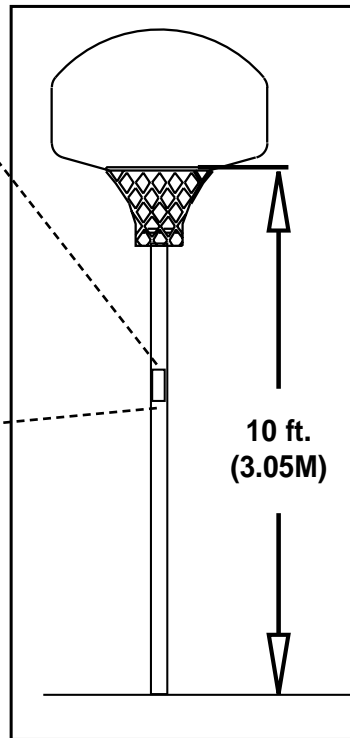


FAILURE TO FOLLOW THESE WARNINGS MAY RESULT IN SERIOUS INJURY AND/OR PROPERTY DAMAGE.

Owner must ensure that all players know and follow these rules for safe operation of the unit.

- * See instruction manual for proper installation and maintenance.
- * Use caution when performing dunk type activities on this unit.
- * Do not hang from any part of unit, including backboard, support braces, rim or net.
- * Check unit before each use for loose hardware, excessive wear and signs of corrosion and repair before using.
- * During play, use extreme caution to keep player's face away from the backboard, rim or net. Serious injury could occur if user's face comes in contact with backboard, rim or net.
- * During play, do not wear jewelry (rings, watches, necklaces, etc.). Objects may entangle in net.

HUFFY SPORTS
In the U.S.: 1-800-254-3224 and Canada Only: 1-800-284-4339
 In Australia: 1-800-632-792 20118 550



REGULATION RIM HEIGHT IS 10 FEET (3.05M).

Free Manuals Download Website

<http://myh66.com>

<http://usermanuals.us>

<http://www.somanuals.com>

<http://www.4manuals.cc>

<http://www.manual-lib.com>

<http://www.404manual.com>

<http://www.luxmanual.com>

<http://aubethermostatmanual.com>

Golf course search by state

<http://golfingnear.com>

Email search by domain

<http://emailbydomain.com>

Auto manuals search

<http://auto.somanuals.com>

TV manuals search

<http://tv.somanuals.com>