

**REQUIRED TOOLS
AND MATERIALS:**



• 2 People



• Tape Measure



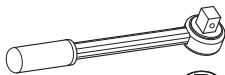
• Step Ladder - 8ft.
(2.4 m)

• (2 each) Wrenches
and/or Socket Wrenches
and Sockets (Deep-Well
Sockets are
Recommended).



1/2" 3/4"

AND/OR



1/2"

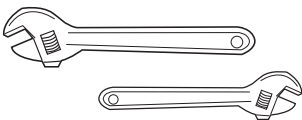


3/4"



• Extension is
Recommended.

**OPTIONAL TOOLS AND
MATERIALS:**

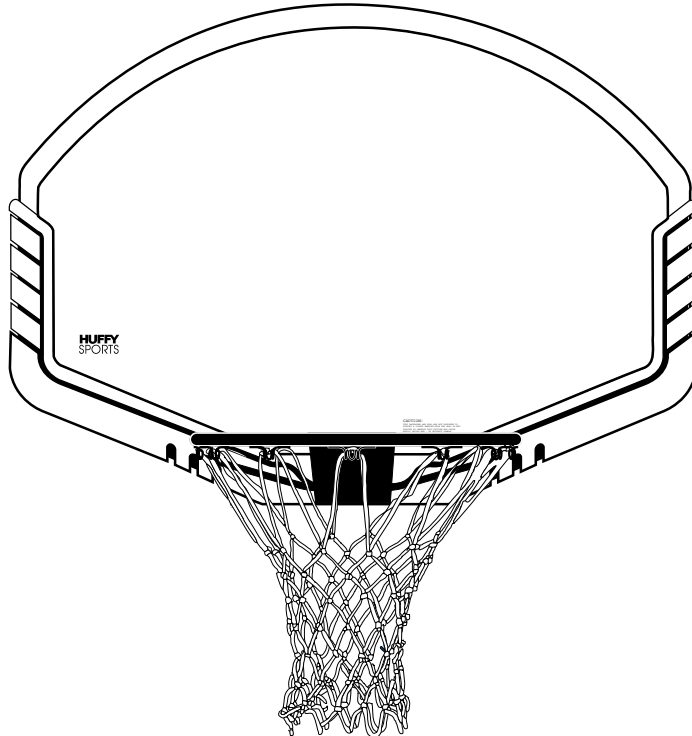


• Large and Small
Adjustable Wrenches

Backboard and Rim Owners Manual

Customer Service Center

• N53 W24700 South Corporate Circle • Sussex, WI 53089 • U.S.A.



	! WARNING!
	READ AND UNDERSTAND OPERATOR'S MANUAL BEFORE USING THIS UNIT.
	FAILURE TO FOLLOW OPERATING INSTRUCTIONS COULD RESULT IN INJURY OR DAMAGE TO PROPERTY.

**Write Model Number
From Box Here:**

Toll-Free Customer Service Number for U.S: 1-800-558-5234,

For Canada: 1-800-284-8339,

For Europe: 00 800 555 85234 (Sweden: 009 555 85234),

For Australia: 1-800-632 7921

Internet Address: <http://www.huffysports.com>



SAFETY INSTRUCTIONS



FAILURE TO FOLLOW THESE SAFETY INSTRUCTIONS MAY RESULT IN SERIOUS INJURY, PROPERTY DAMAGE AND WILL VOID WARRANTY.

Owner must ensure that all players know and follow these rules for safe operation of the system.

To ensure safety, do not attempt to assemble this system without following the instructions carefully. Proper and complete assembly, use and supervision is essential for proper operation and to reduce the risk of accident or injury. A high probability of serious injury exists if this system is not installed, maintained, and operated properly.

- If using a ladder during assembly, use extreme caution.
- Check base (if applicable) regularly for leakage. Slow leaks could cause the system to tip over unexpectedly
- Seat the pole sections properly (if applicable). Failure to do so could allow the pole sections to separate during play and/or during transport of the system.
- Climate, corrosion or misuse could result in system failure.
- If technical assistance is required, contact Customer Service.
- **MINIMUM** operational height is 6'6" (1.98m) to the bottom of backboard.

*Most injuries are caused by misuse and/or not following instructions.
Use caution when using this system.*

NOTICE TO ASSEMBLERS

ALL Huffy Sports basketball systems, including those used for DISPLAYS, MUST be assembled and ballasted with sand or water according to instructions. Failure to follow instructions could result in SERIOUS INJURY. It is NOT acceptable to devise a makeshift weight system.



WARNING

Read and understand warnings listed below before using this product.

Failure to follow these warnings may result in serious injury and/or property damage.

Owner must ensure that all players know and follow these rules for safe operation of the system.

- DO NOT HANG on the rim or any part of the system including backboard, support braces or net.
- During play, especially when performing dunk type activities, keep player's face away from the backboard, rim and net. Serious injury could occur if teeth/face come in contact with backboard, rim or net.
- During play, do not wear jewelry (rings, watches, necklaces, etc.). Objects may entangle in net.
- Check system before each use for loose hardware, excessive wear and signs corrosion and repair before use.
- Never play on damaged equipment.
- See instruction manual for proper installation and maintenance.



In the U.S.: 1-800-688-0234
In Canada: 1-800-384-8339



In the U.S.: 1-800-334-9111





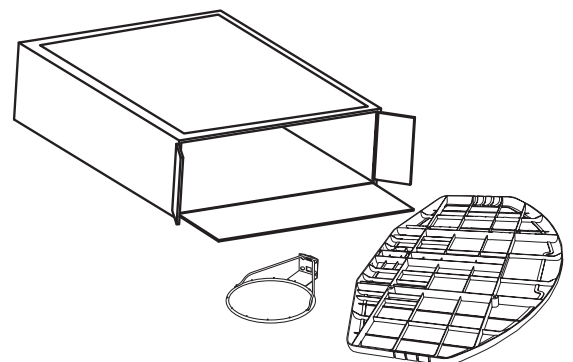
In the U.S.: 1-800-558-0234
In Canada: 1-800-284-8339



ID# 579800 0505

WARRANTY CARD: Please remember to complete your product registration form either on-line at:
www.huffysports.com/customer_support/product_registration
or mail-in the enclosed postcard.

IMPORTANT!
Remove all contents from boxes.
Be sure to check inside pole sections;
hardware and additional parts are packed
inside.





Questions or Missing Parts?

DON'T go back to store!

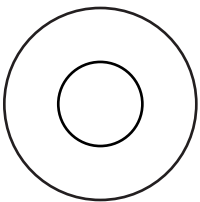
Call TOLL-FREE Customer Service
Number listed on the front page!

PARTS LIST - See Hardware Identifier

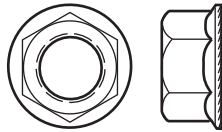
✓	Item	Qty.	Part No.	Description
<input type="checkbox"/>	1	1	579800	Warning Label
<input type="checkbox"/>	2	4	203113	Bolt, Hex Flange, 5/16-18 x 2.5 Long
<input type="checkbox"/>	3	2	203038	Bolt, Carriage, 5/16-18 x 2.75 Long
<input type="checkbox"/>	4	6	203309	Washer, 1" O.D.
<input type="checkbox"/>	5	6*	203100	Nut, Hex Flange, 5/16-18
<input type="checkbox"/>	6	1		Rim
<input type="checkbox"/>	7	1		Net
<input type="checkbox"/>	8	1		Backboard
<input type="checkbox"/>	9	1	203470	Washer, Flat, 1.5" O.D.
<input type="checkbox"/>	10	1	900033	Bracket, Slam Jam
<input type="checkbox"/>	11	1	203796	Bolt, Tee, 3/8-16, 5" Long
<input type="checkbox"/>	12	1	200318	Bracket, Reinforcement, Slam Jam
<input type="checkbox"/>	13	1	203472	Spring, Rim
<input type="checkbox"/>	14	1	203795	Nut, Special, 3/8-16
<input type="checkbox"/>	15	1	203365	Rim Spacer

* You may have extra parts with this model.

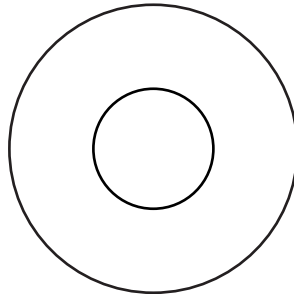
HARDWARE IDENTIFIER



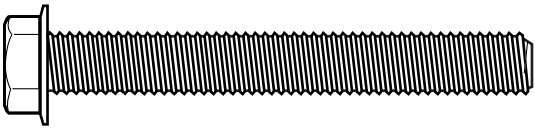
#4 (6)



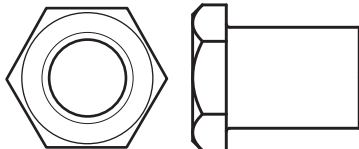
#5 (6)*



#9 (1)



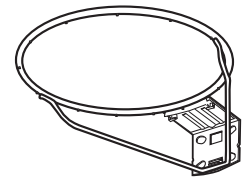
#2 (4)



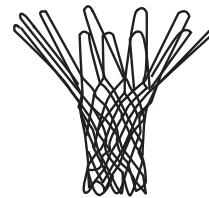
#14 (1)



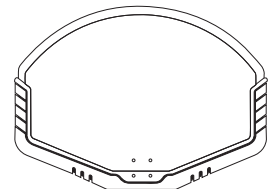
#1 (1)



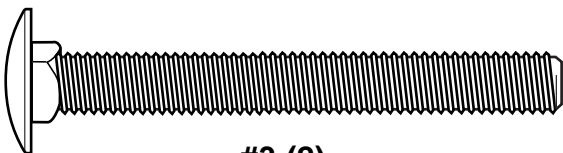
#6 (1)



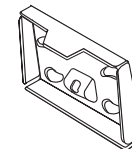
#7 (1)



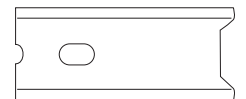
#8 (1)



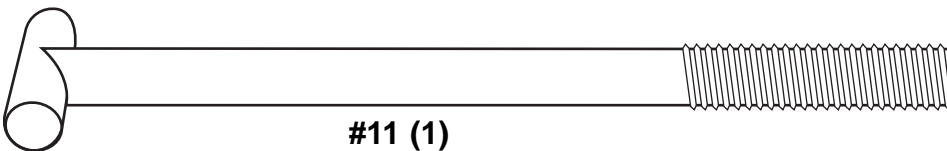
#3 (2)



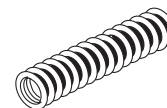
#10 (1)



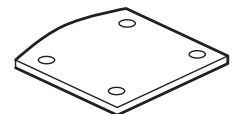
#12 (1)



#11 (1)



#13 (1)



#15 (1)

ASSEMBLE THE BACKBOARD AND RIM



UNIVERSAL MOUNTING BRACKET INSTALLATION



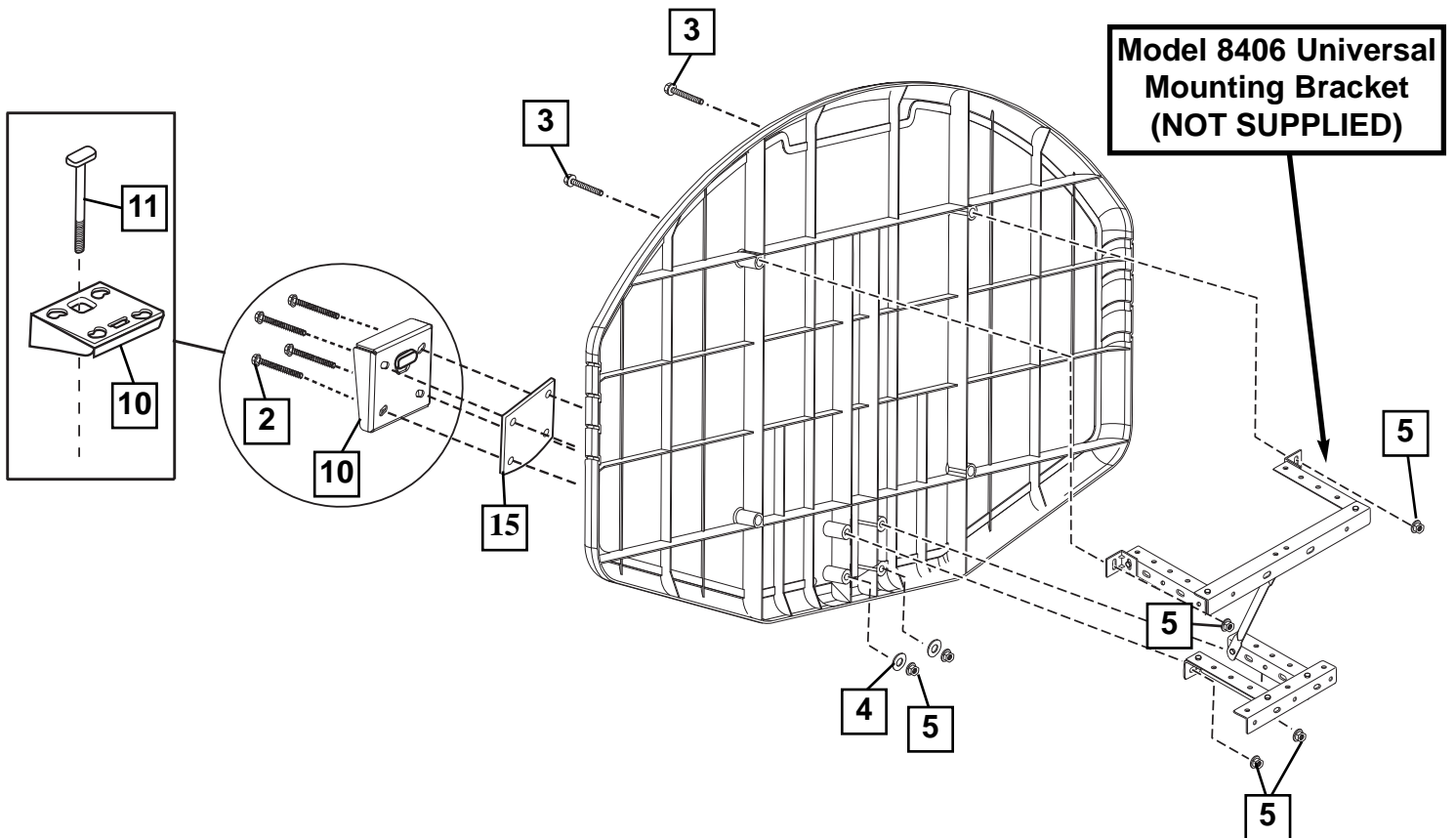
WARNING!

TWO PEOPLE REQUIRED FOR THIS PROCEDURE. FAILURE TO FOLLOW THIS WARNING COULD RESULT IN SERIOUS INJURY AND/OR PROPERTY DAMAGE.



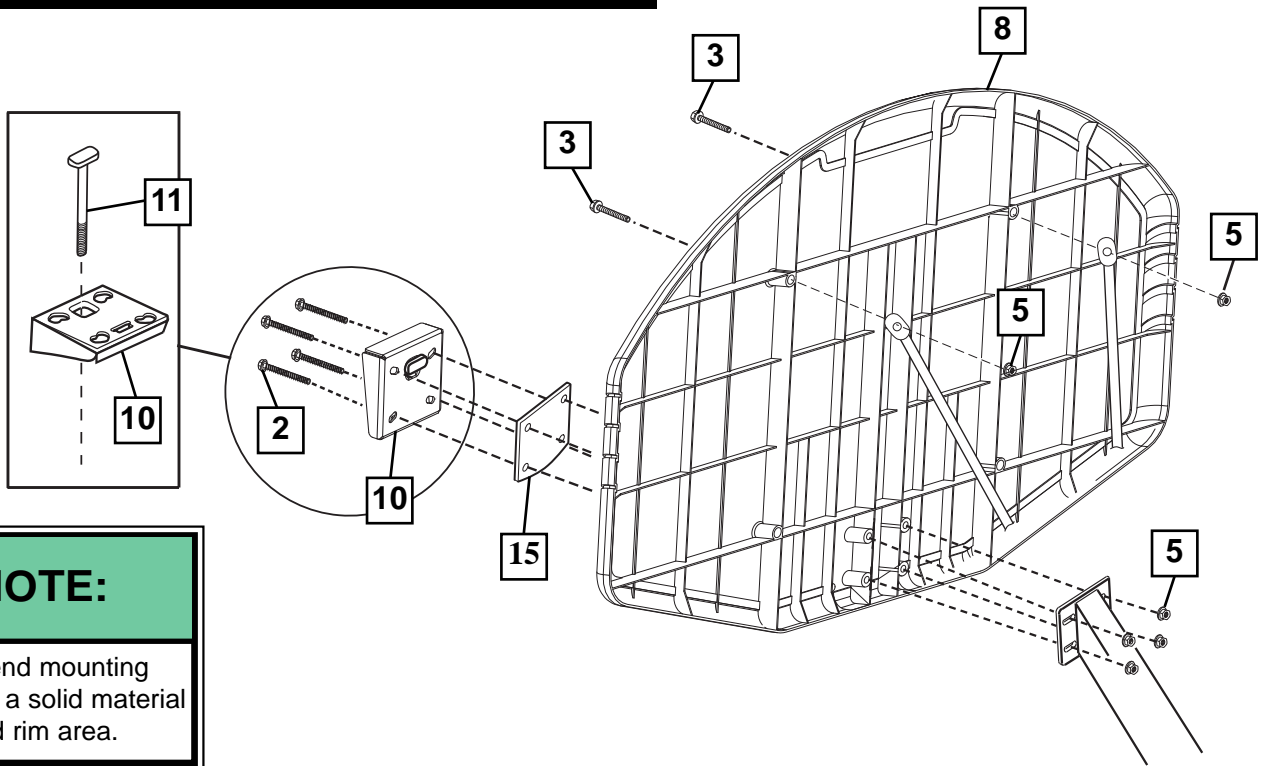
NOTE:

We recommend mounting backboard to a solid material (steel) behind rim area.



1B.

EXTENSION ARM INSTALLATION

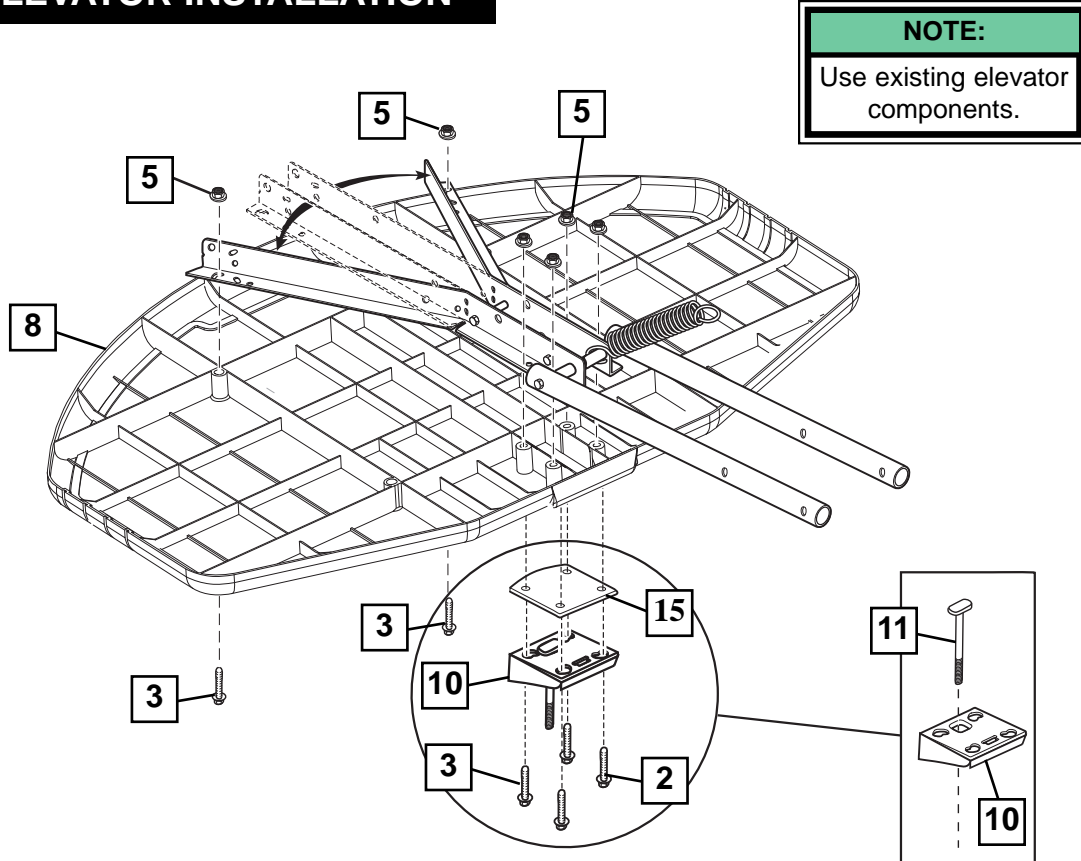


NOTE:

We recommend mounting backboard to a solid material (steel) behind rim area.

1C.

ELEVATOR INSTALLATION



NOTE:

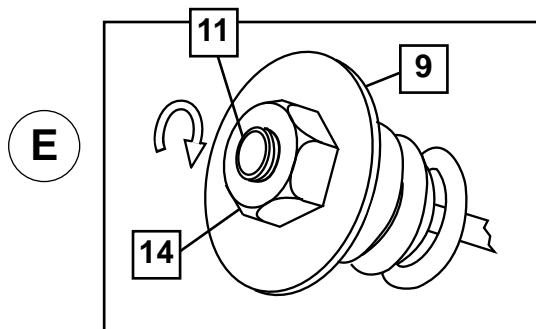
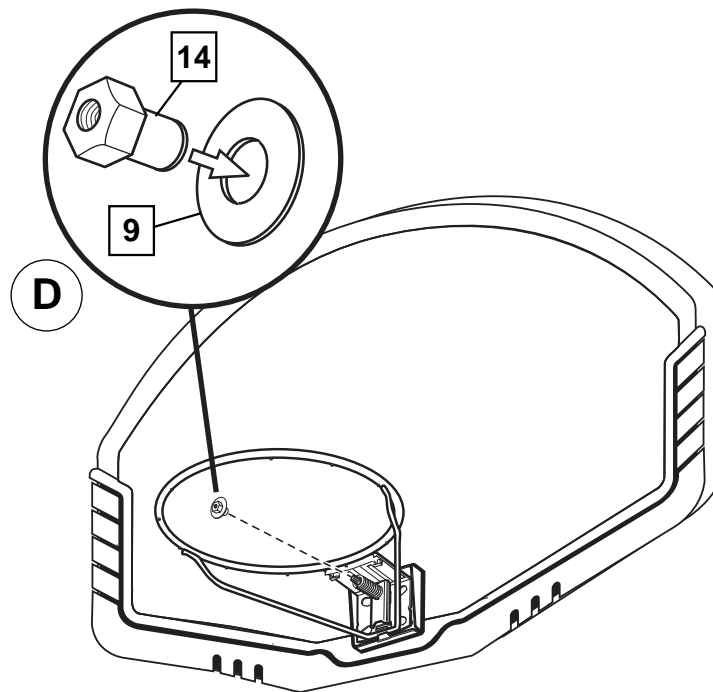
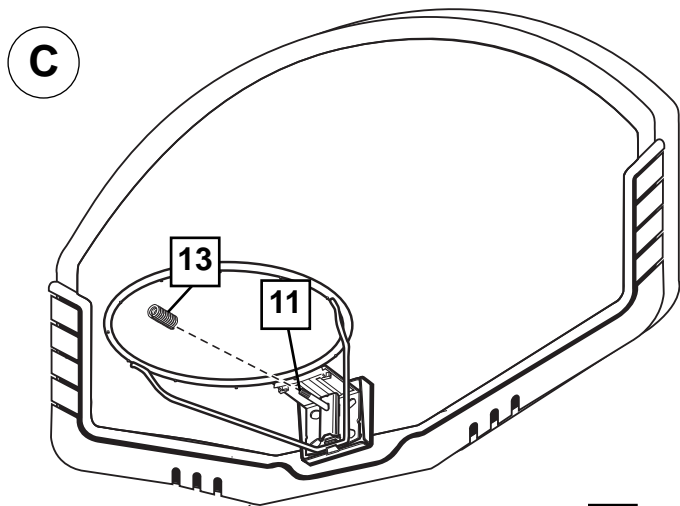
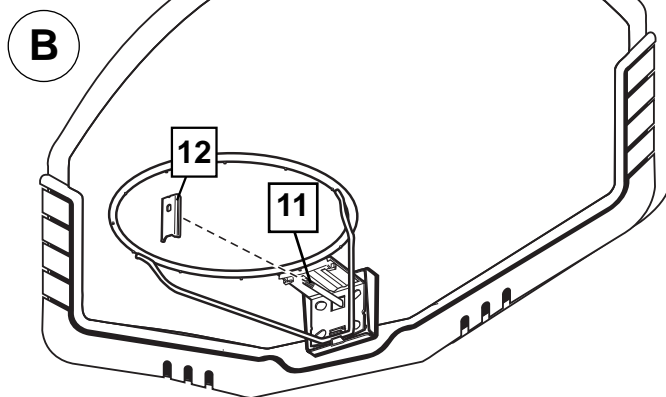
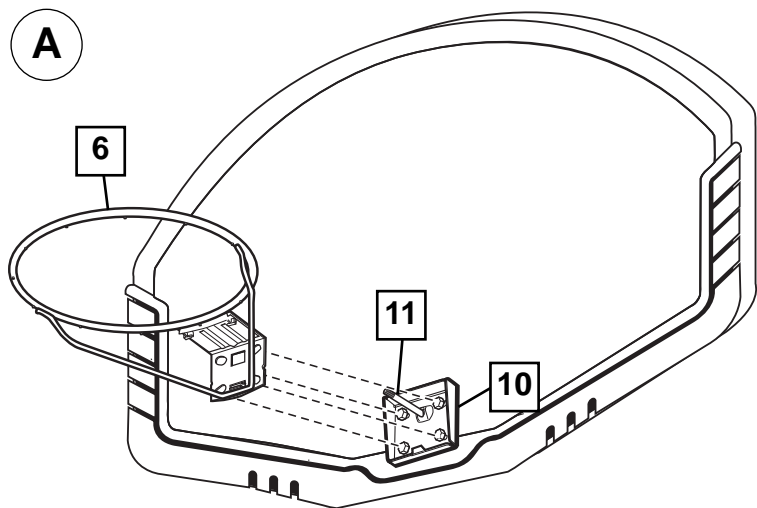
Use existing elevator components.

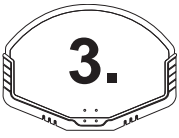


2.

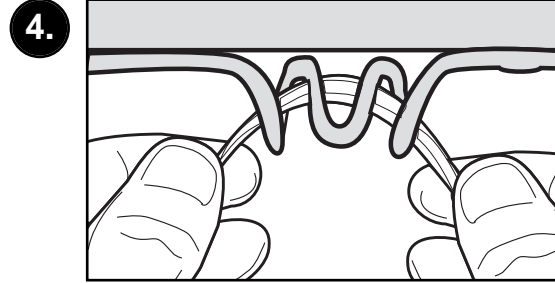
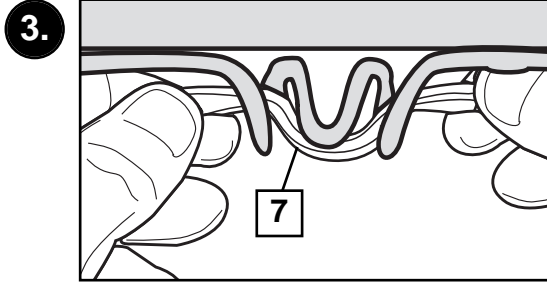
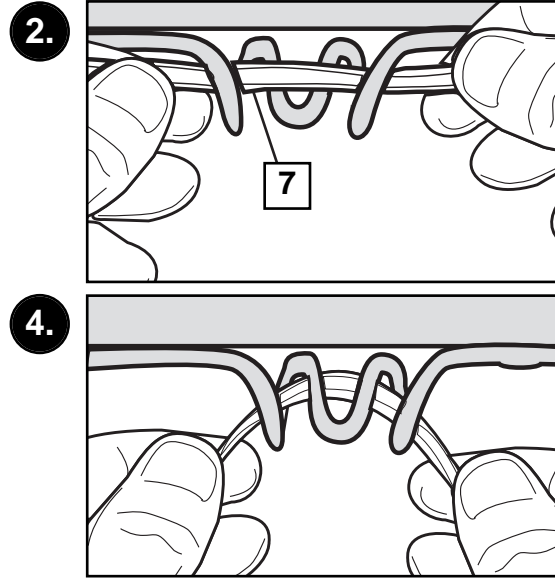
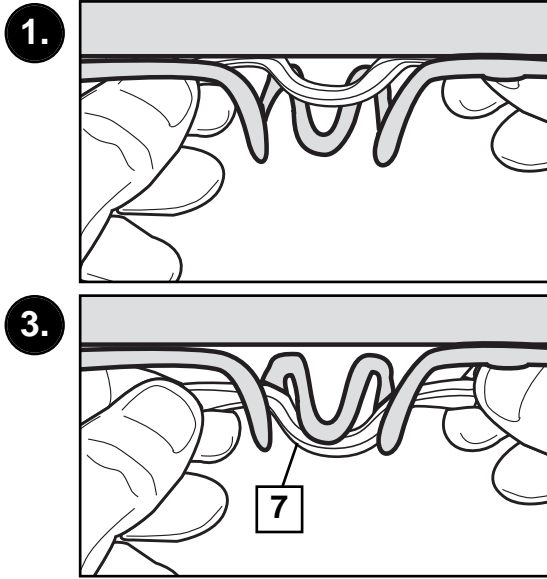
Install Slam Jam Rim to Backboard

- A Fit rim (6) securely into bracket (10) as shown. Allow T-bolt (11) to slip through center hole in rim (6).
- B Install reinforcement bracket (12) onto T-bolt (11) as shown.
- C Install spring (13) onto T-bolt (11) as shown.
- D Install special nut (14) and washer (9) onto T-bolt (11).
- E Tighten nut (14) until flush with end of T-bolt (11).



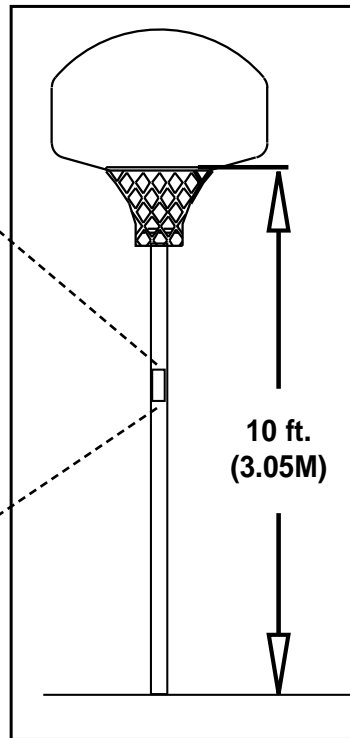


3. Install net (7).



▲ Place warning label (1) in location clearly visible within playing area.

1



REGULATION RIM HEIGHT IS 10 FEET (3.05M).

Free Manuals Download Website

<http://myh66.com>

<http://usermanuals.us>

<http://www.somanuals.com>

<http://www.4manuals.cc>

<http://www.manual-lib.com>

<http://www.404manual.com>

<http://www.luxmanual.com>

<http://aubethermostatmanual.com>

Golf course search by state

<http://golfingnear.com>

Email search by domain

<http://emailbydomain.com>

Auto manuals search

<http://auto.somanuals.com>

TV manuals search

<http://tv.somanuals.com>