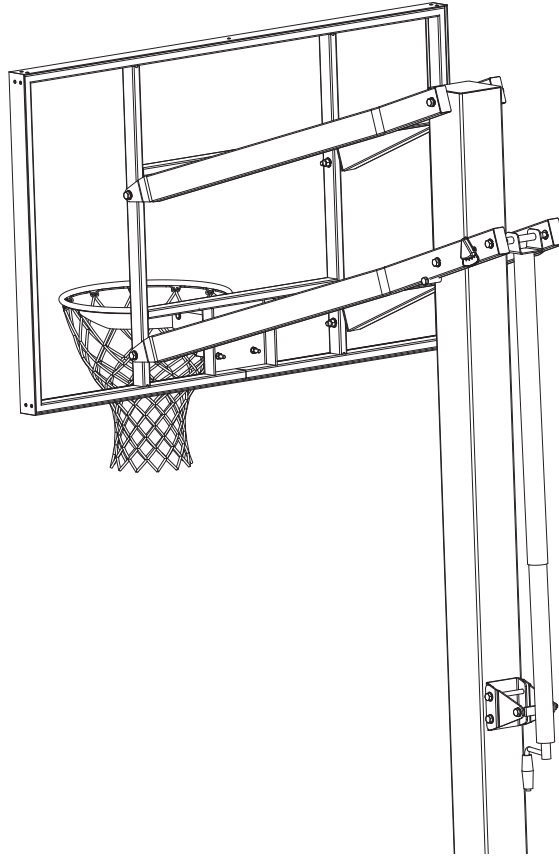


In-Ground Basketball System Owners Manual

Customer Service Center
• N53 W24700 South Corporate Circle • Sussex, WI 53089 • U.S.A.



Write Model Number
From Box Here:

! WARNING!



READ AND UNDERSTAND
OPERATOR'S MANUAL
BEFORE USING THIS UNIT.

FAILURE TO FOLLOW
OPERATING INSTRUCTIONS
COULD RESULT IN INJURY
OR DAMAGE TO
PROPERTY.

REQUIRED TOOLS AND MATERIALS:



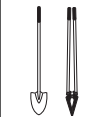
• 3 Capable Adults



• Carpenter's Level



• 15' Tape Measure



• Shovel & Post Hole
Digger



• Phillips Screwdriver



• (1) Utility Knife

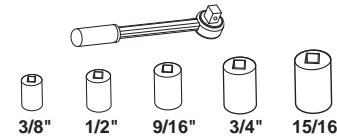


• (2) Stepladders 8 ft. (2.4 m)



• Safety Goggles

• (2 each) Wrenches and/or Socket Wrenches and
Sockets (Deep-Well Sockets are Recommended).

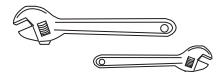


CONCRETE
• 1260 LBS.
(572 KG.)

• Container to Mix



• Optional: Large &
Small Adjustable
Wrenches



Toll-Free Customer Service Number for U.S: 1-800-558-5234 Canada Only: 1-800-284-8339
Internet Address: <http://www.hydra-rib.com>

SAFETY INSTRUCTIONS

FAILURE TO FOLLOW THESE SAFETY INSTRUCTIONS MAY RESULT IN SERIOUS INJURY, PROPERTY DAMAGE AND WILL VOID WARRANTY.

Owner must ensure that all players know and follow these rules for safe operation of the system.

To ensure safety, do not attempt to assemble this system without following the instructions carefully. Proper and complete assembly, use and supervision is essential for proper operation and to reduce the risk of accident or injury. A high probability of serious injury exists if this system is not installed, maintained, and operated properly. Check entire box and inside all packing material for parts and/or additional instructional material. **Before beginning assembly, read the instructions and identify parts using the hardware identifier and parts list in this document.**

- If using a ladder during assembly, use extreme caution.
- Three (3) people are recommended for this operation.
- Seat the pole sections properly. Failure to do so could allow the pole sections to separate during play.
- Before digging, contact utility company to locate underground power cables, gas, and water lines. Ensure there are no overhead power lines within 20 ft. (7 m) radius of pole location.
- Climate, corrosion, excessive use, or misuse could result in system failure.
- If technical assistance is required, contact Customer Service.
- Minimum operational height is 6' 6" (1.98 m) to the bottom of backboard.
- This equipment is intended for home recreational use only and NOT excessive competitive play.
- Read and understand the warning label affixed to pole.
- The life of your basketball pole depends on many conditions. The climate, placement of the pole, the location of the pole, exposure to corrosives such as pesticides, herbicides or salts are all important.
- Adult supervision is recommended when adjusting height.
- Serious injury could occur if teeth/face come in contact with backboard, net, or rim.

Most injuries are caused by misuse and/or not following instructions. Use caution when using this system.

For more information on assembly, placement, proper use and maintenance, visit The American Basketball Council website at <http://www.smarthoops.com>.

WARNING

Read and understand warnings listed below before using this product.

Failure to follow these warnings may result in serious injury and/or property damage.

Owner must ensure that all players know and follow these rules for safe operation of the system.

- DO NOT HANG on the rim or any part of the system including backboard, support braces or net.
- During play, especially when performing dunk type activities, keep player's face away from the backboard, rim and net. Serious injury could occur if teeth/face come in contact with backboard, rim or net.
- Do not slide, climb, shake or play on base and/or pole.
- When adjusting height or moving system, keep hands and fingers away from moving parts.
- Do not allow children to move or adjust system.
- During play, do not wear jewelry (rings, watches, necklaces, etc.). Objects may entangle in net.
- Keep organic material away from pole base. Grass, litter, etc. could cause corrosion and/or deterioration.
- Check pole system for signs of corrosion (rust, pitting, chipping) and repaint with exterior enamel paint. If rust has penetrated through the steel anywhere, replace pole immediately.
- Check system before each use for proper ballast, loose hardware, excessive wear and signs corrosion and repair before use.
- Check system before each use for instability.
- Never play on damaged equipment.
- Keep pole top covered with cap at all times.
- See instruction manual for proper installation and maintenance.

SPALDING
In the U.S.: 1-800-558-5234
In Canada: 1-800-284-8339

HYDRA-RIB
In the U.S.: 1-800-334-9111

RUSSELL
ATHLETIC

SURE SHOT
In the U.S.: 1-888-713-5488

HUFFY SPORTS
In the U.S.: 1-800-558-5234
In Canada: 1-800-284-8339

ID#: 588000 05/05

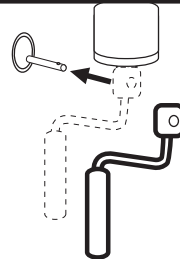
WARRANTY CARD:

Please remember to complete your product registration form either on-line at:
www.huffysports.com/customer_support/product_registration
or mail-in the enclosed postcard.

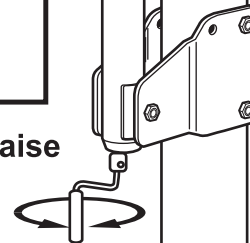
31

HEIGHT ADJUSTMENT

Remove locking pin to remove handle.

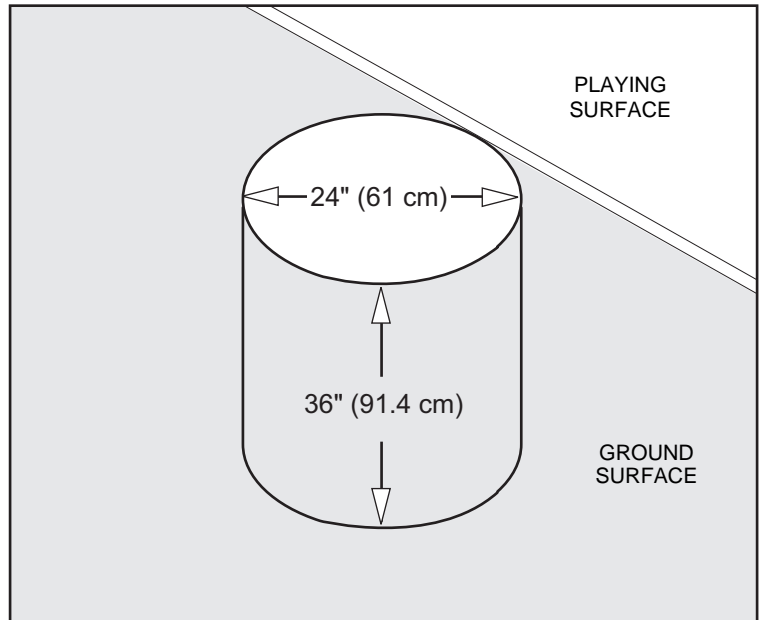
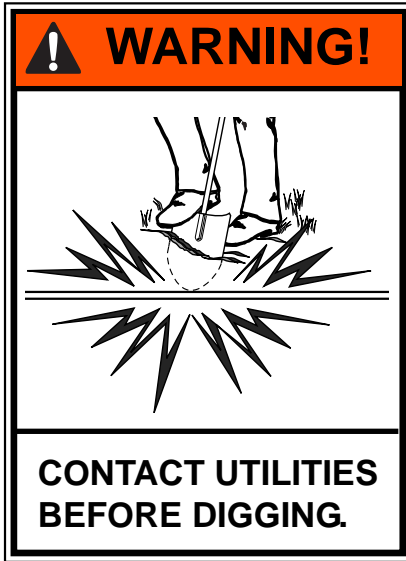


Rotate crank handle to raise and lower backboard.

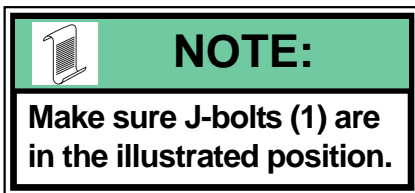
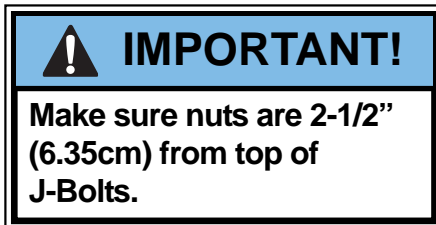


200685 4/01

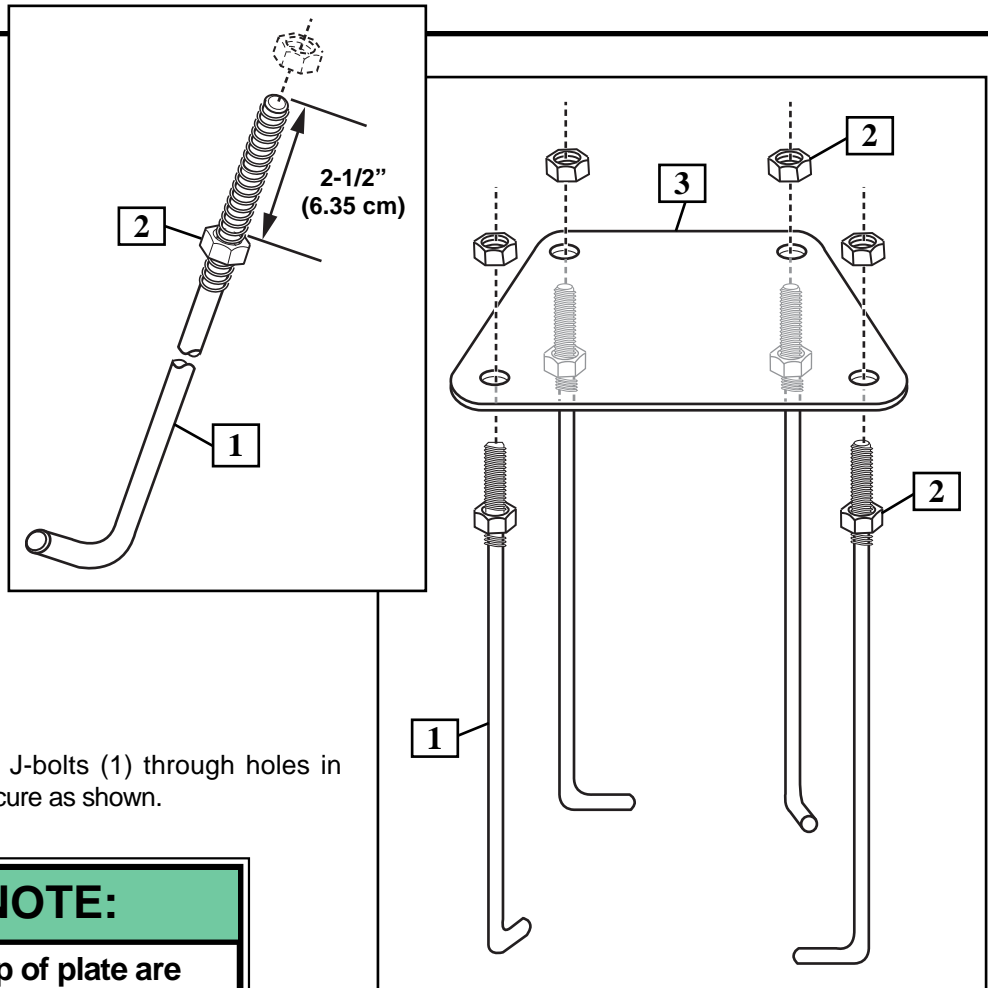
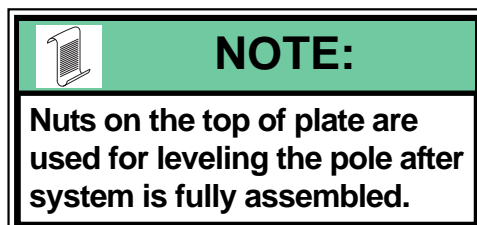
1. Ensure ground is level with playing surface, then dig pole hole.

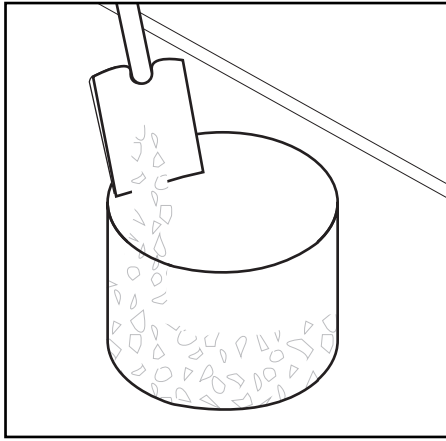


2. Install nut (2) to J-bolt (1) as shown. Repeat procedure for other three J-bolts (1).

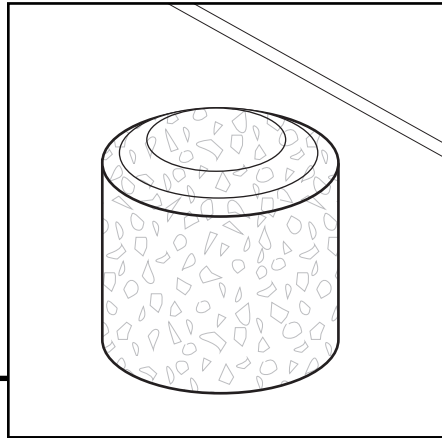


3. Install threaded ends of J-bolts (1) through holes in mounting plate (3) and secure as shown.



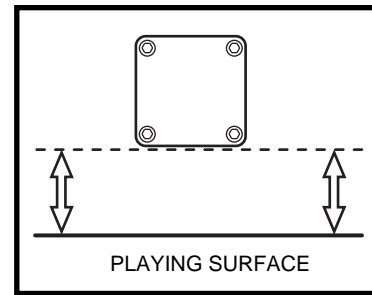


4. Fill hole with concrete. Tamp down concrete to release air pockets and build drainage hill.



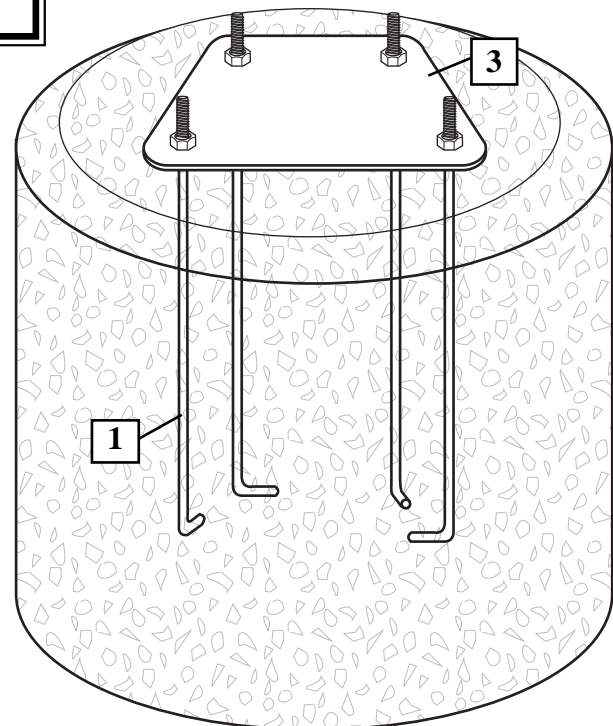
5. Insert J-bolts (1) from mounting plate (3) into cement as shown. Move assembly around to release any air pockets in cement, then rest mounting plate on cement drainage hill. Apply some pressure to level mounting plate on top of drainage hill. Level mounting plate and square with playing surface. Clean off any excess cement on mounting plate at this time.

! IMPORTANT!
Front of mounting plate (3) must be parallel with playing surface.



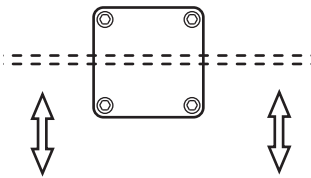
! WARNING!
DO NOT PROCEED UNTIL CONCRETE HAS CURED! A MINIMUM OF 72 HOURS. ALLOW ADDITIONAL TIME FOR COLD, WET OR HUMID WEATHER.

! IMPORTANT!
Check leveling of mounting plate several times with carpenter's level while concrete is curing.

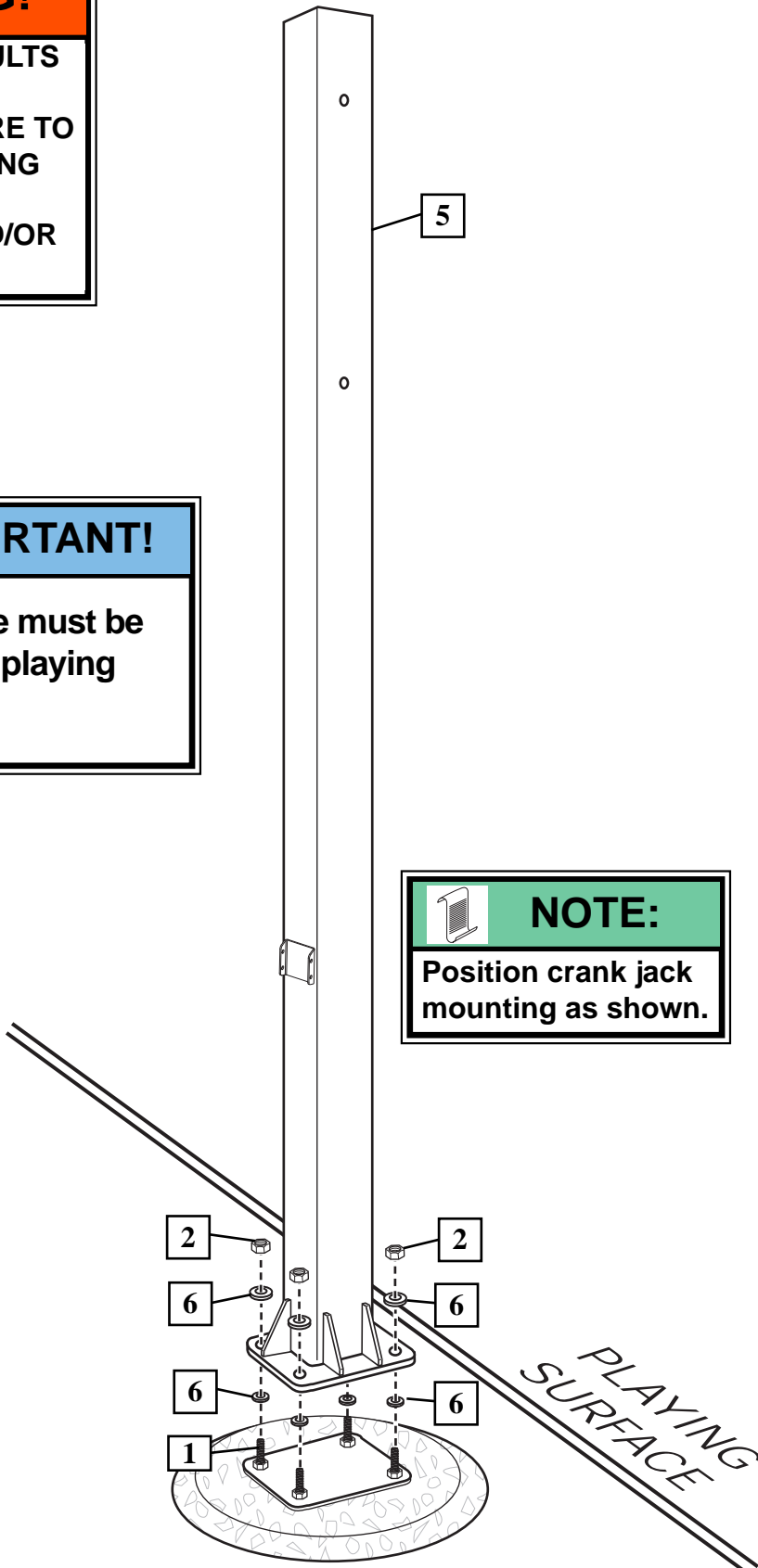
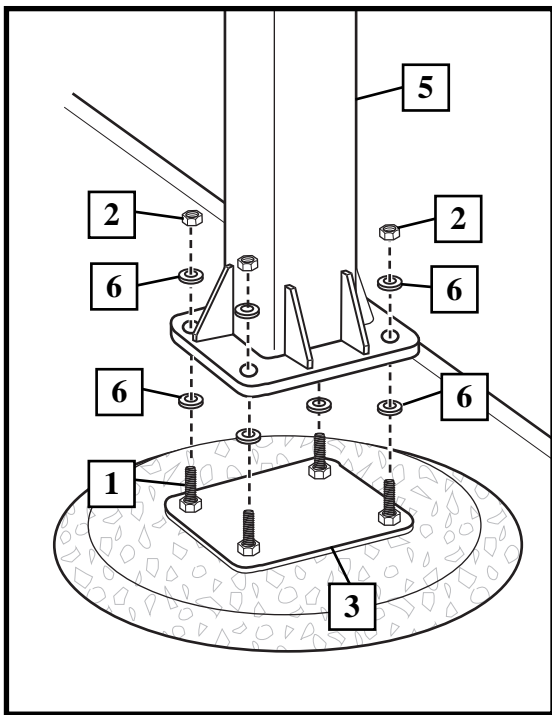



	! WARNING!
	THREE CAPABLE ADULTS REQUIRED FOR THIS PROCEDURE. FAILURE TO FOLLOW THIS WARNING COULD RESULT IN SERIOUS INJURY AND/OR PROPERTY DAMAGE.

- 6.** Upright pole (5). Assemble lower pole flange onto protruding J-bolts (1) as shown. The flange will then rest on the nuts (2).

 <p>PLAYING SURFACE</p>	! IMPORTANT!
	Holes in pole must be parallel with playing surface.

- 7.** Secure pole (5) flange to mounting plate (3) as shown. Tighten completely.



 NOTE:
Position crank jack mounting as shown.

8.

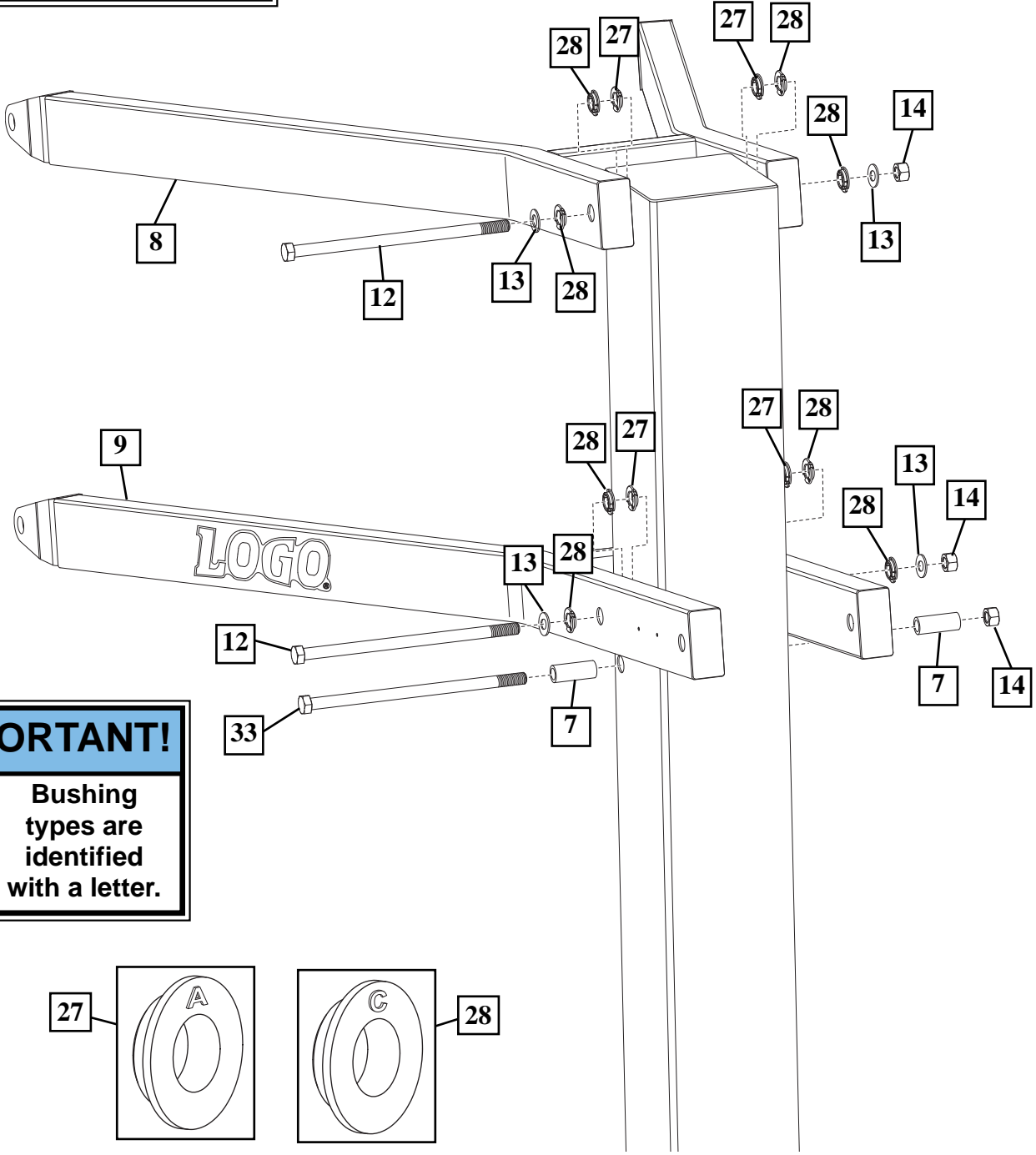
Beginning with upper support arm (8) secure support arms to pole. Continue by securing lower support arm (9) as shown.

! WARNING!

THREE CAPABLE ADULTS REQUIRED FOR THIS PROCEDURE. FAILURE TO FOLLOW THIS WARNING COULD RESULT IN SERIOUS INJURY AND/OR PROPERTY DAMAGE.

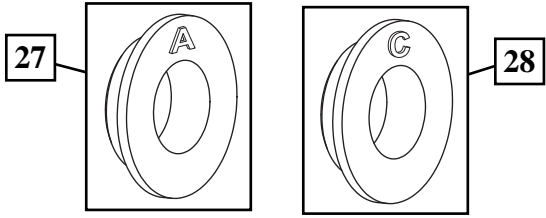
! IMPORTANT!

Do Not Over Tighten.

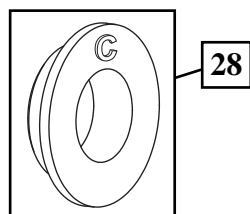
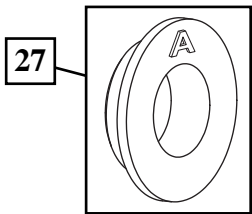
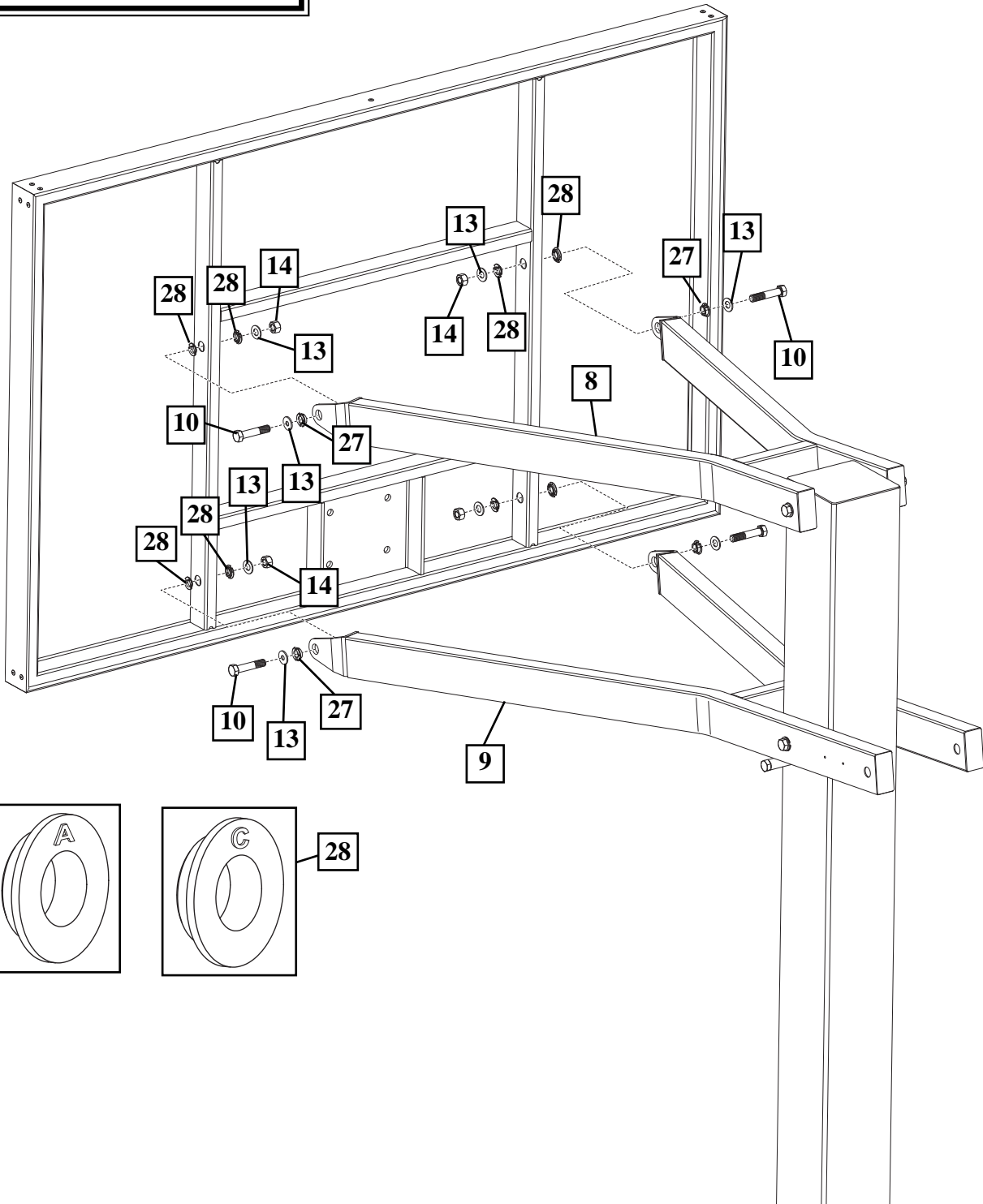
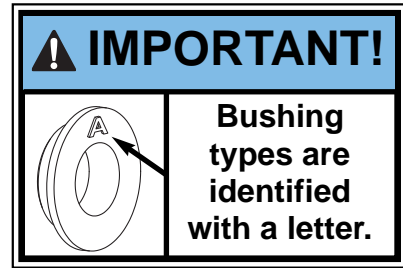


! IMPORTANT!

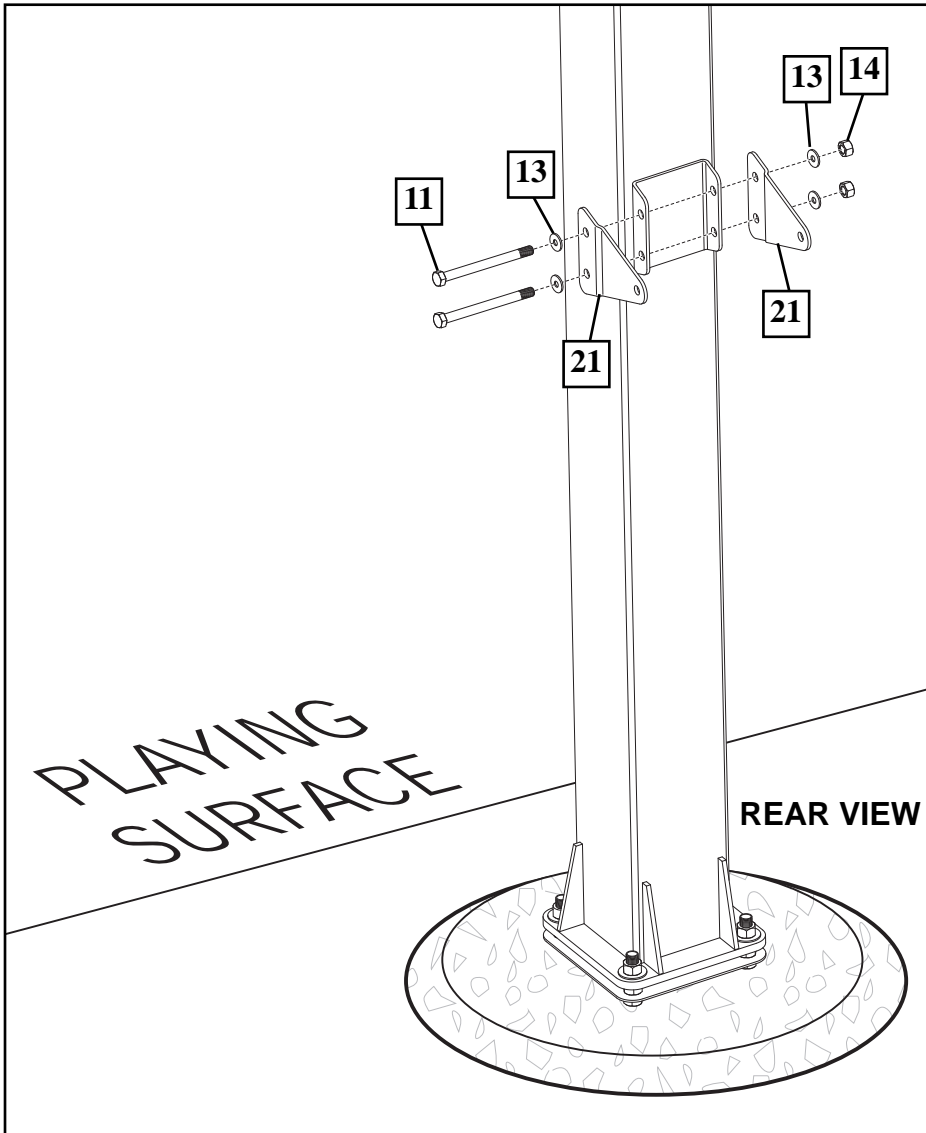
Bushing types are identified with a letter.



9. Secure backboard to support arms (8 and 9) as shown.



10. Secure jack brackets (21) to mounting bracket as shown.



11.



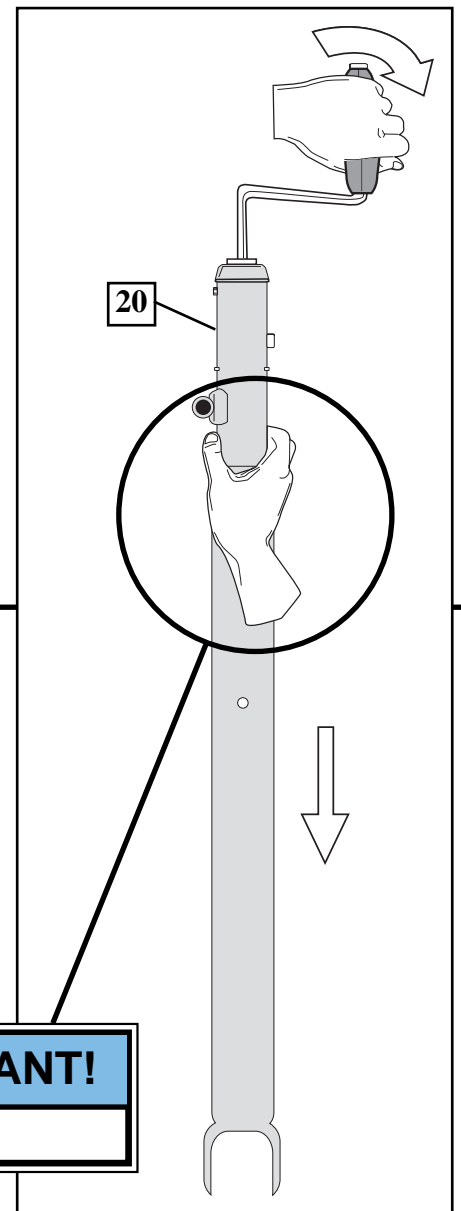
NOTE:

Position U-joint of crank jack (20) as shown. Where tubes on crank jack join, hold steady to keep both tubes from rotating. Rotate handle clockwise on crank jack to the fully extended position.



IMPORTANT!

Hold Here.



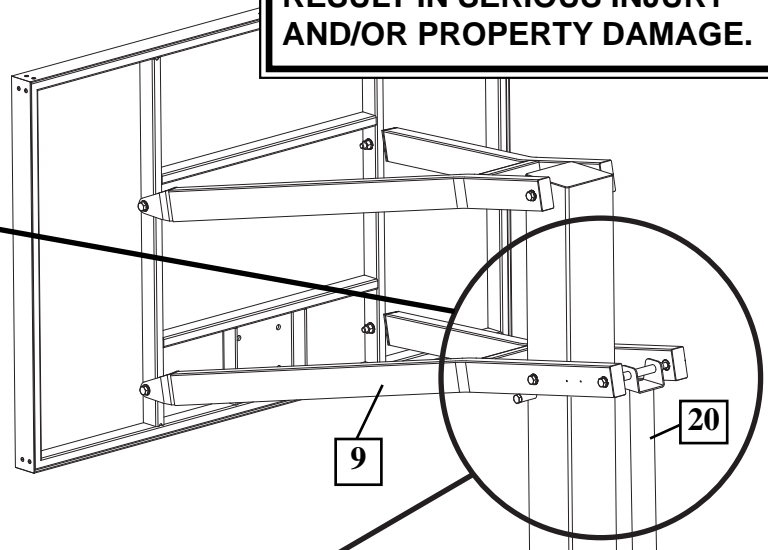
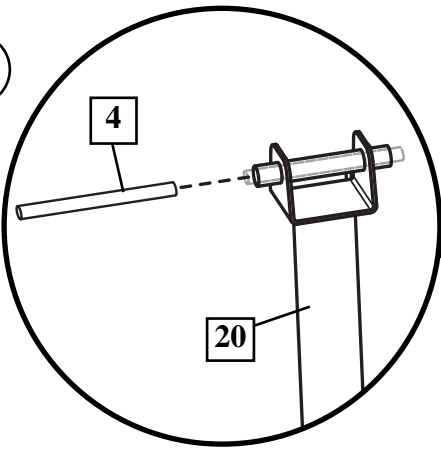
12.

- A. Insert spacer (4) through spacer of screw jack as shown.
- B. Install crank jack (20) U-joint to lower support arm (9) as shown.

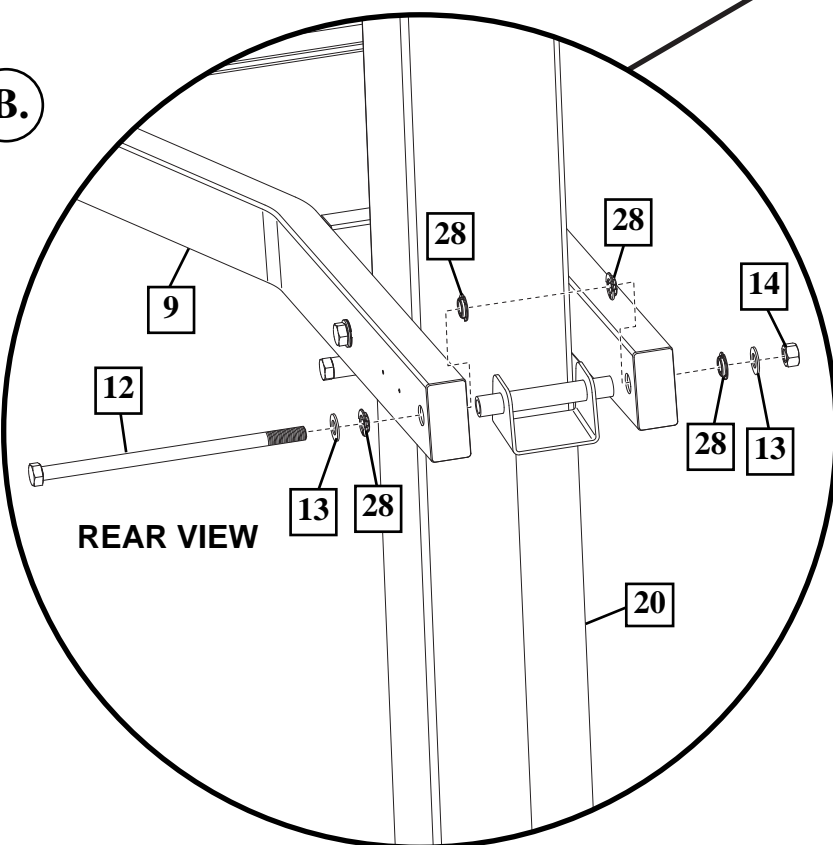
WARNING!

TWO CAPABLE ADULTS REQUIRED FOR THIS PROCEDURE. FAILURE TO FOLLOW THIS WARNING COULD RESULT IN SERIOUS INJURY AND/OR PROPERTY DAMAGE.

A.

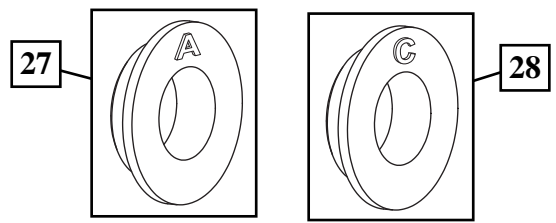


B.



IMPORTANT!

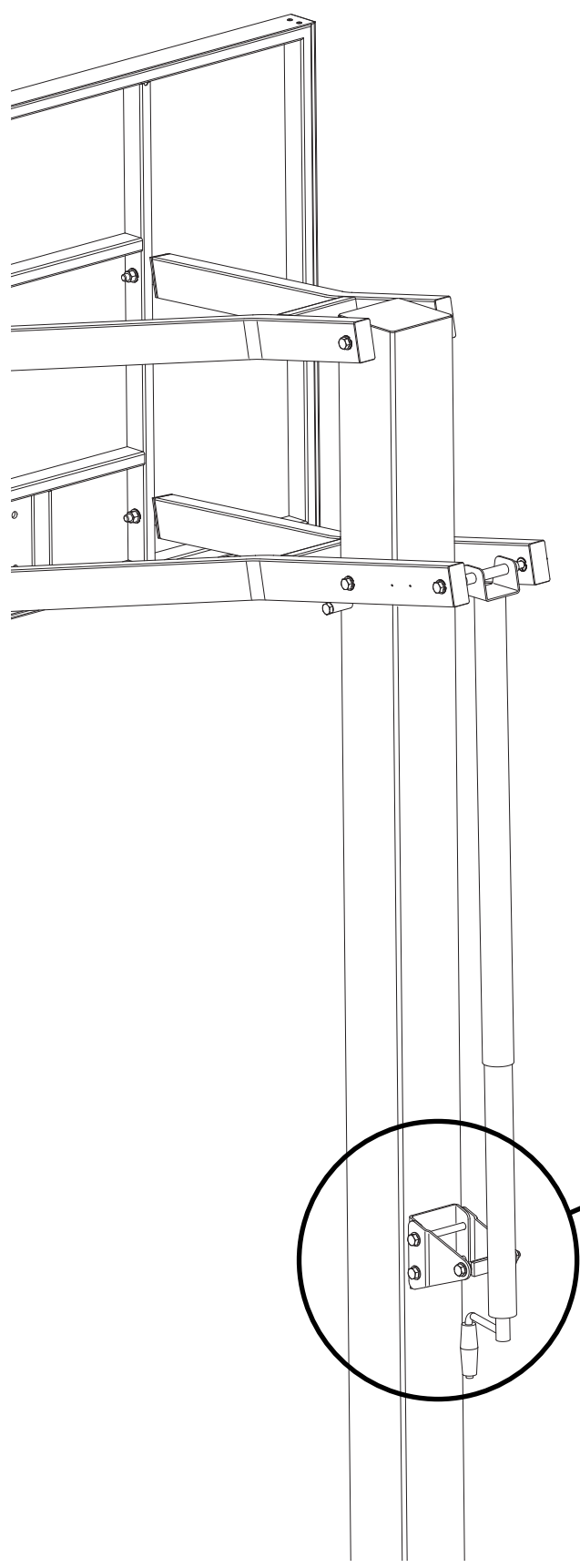
Bushing types are identified with a letter.



IMPORTANT!

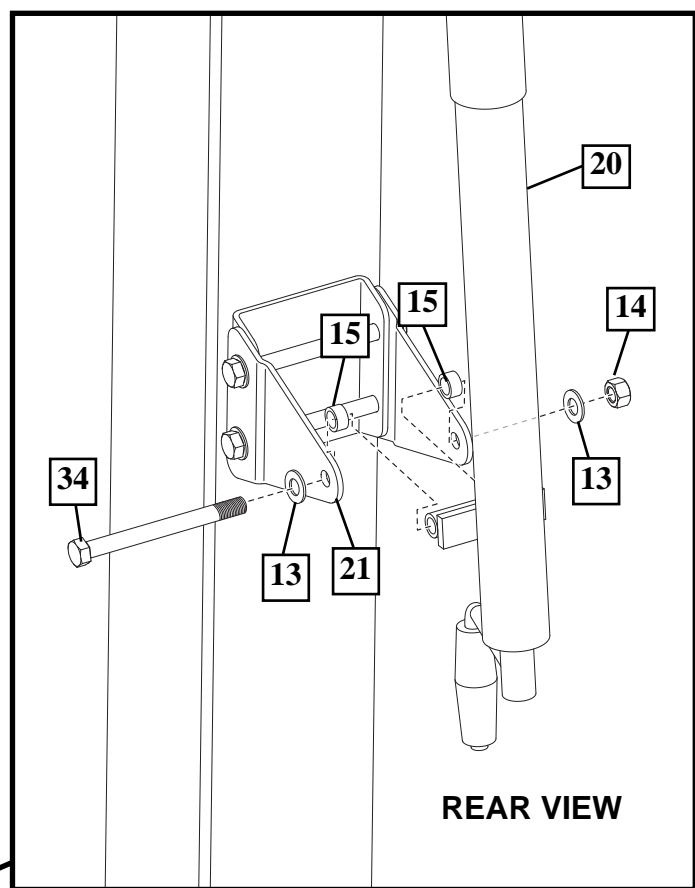
Do Not Over Tighten.


13. Rotate jack handle until jack (20) aligns with jack brackets (21). Secure crank jack (20) to jack brackets (21) as shown.



 **WARNING!**

**TWO CAPABLE ADULTS
REQUIRED FOR THIS
PROCEDURE. FAILURE TO
FOLLOW THIS WARNING COULD
RESULT IN SERIOUS INJURY
AND/OR PROPERTY DAMAGE.**

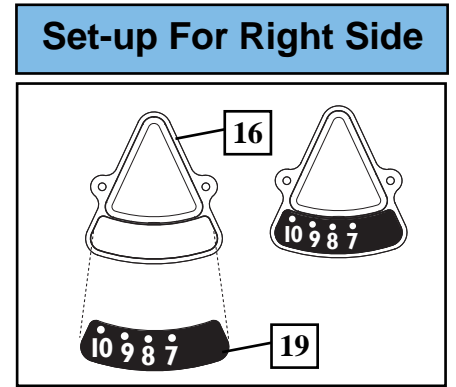
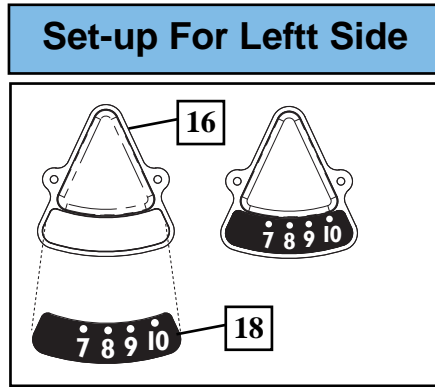


 **NOTE:**

**Some adjustment will be necessary
to align the lower crank jack and
bushings to jack brackets (21).**

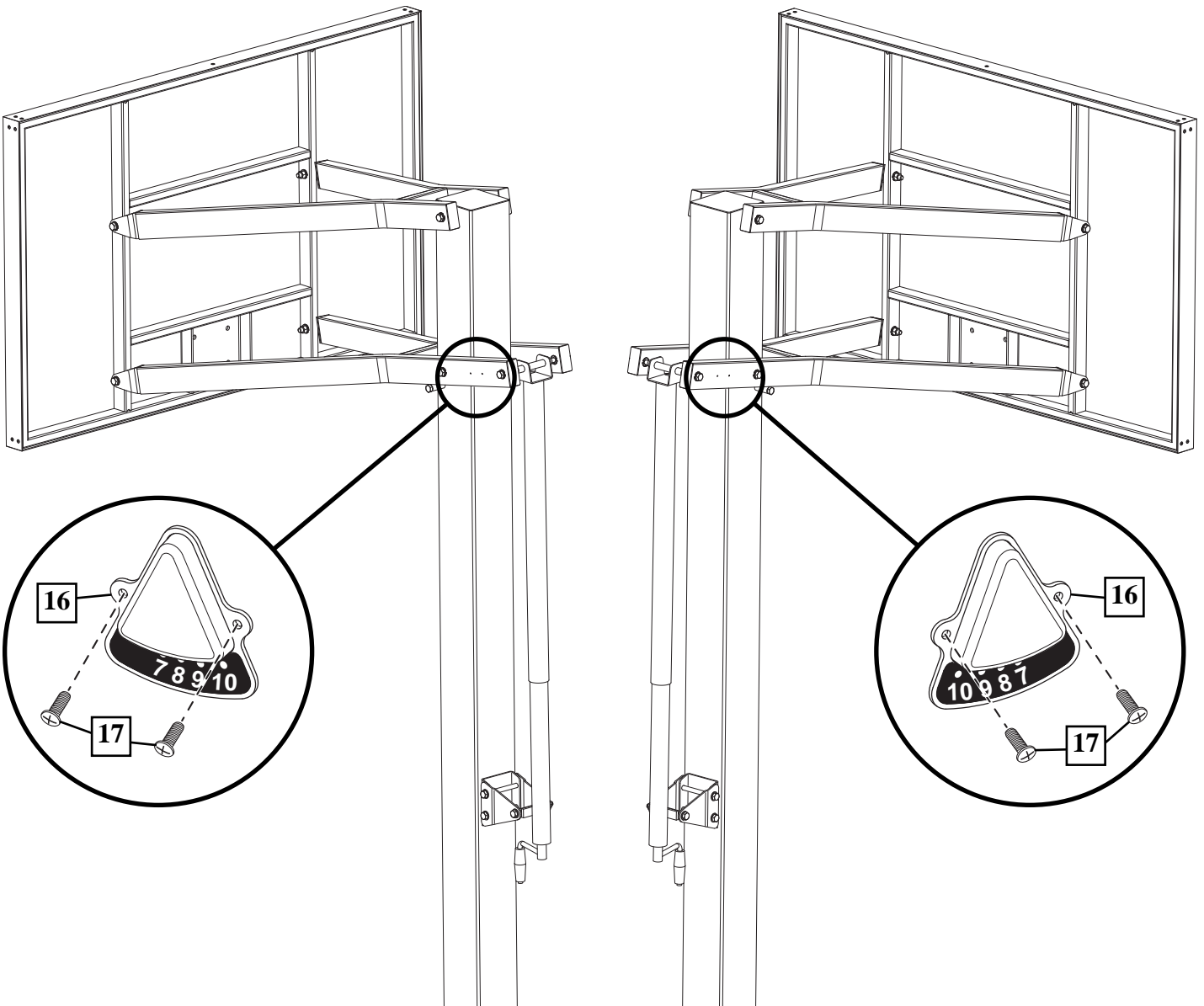
14.

- A. Apply height indicator labels (18 and 19) to height indicators (16).

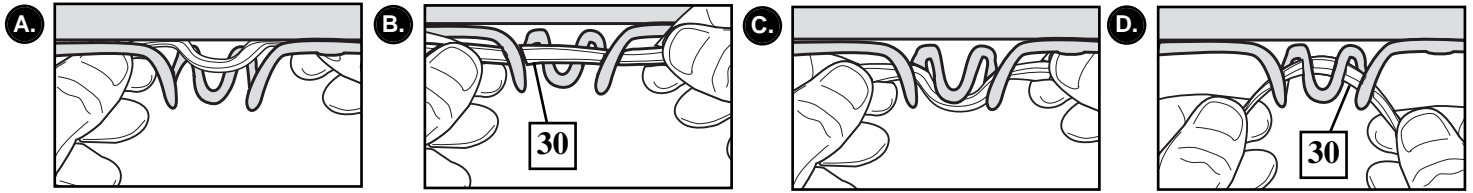


- B. Attach height indicators (16) to lower arm in areas as shown by turning screws (17) into place with a phillips screwdriver.

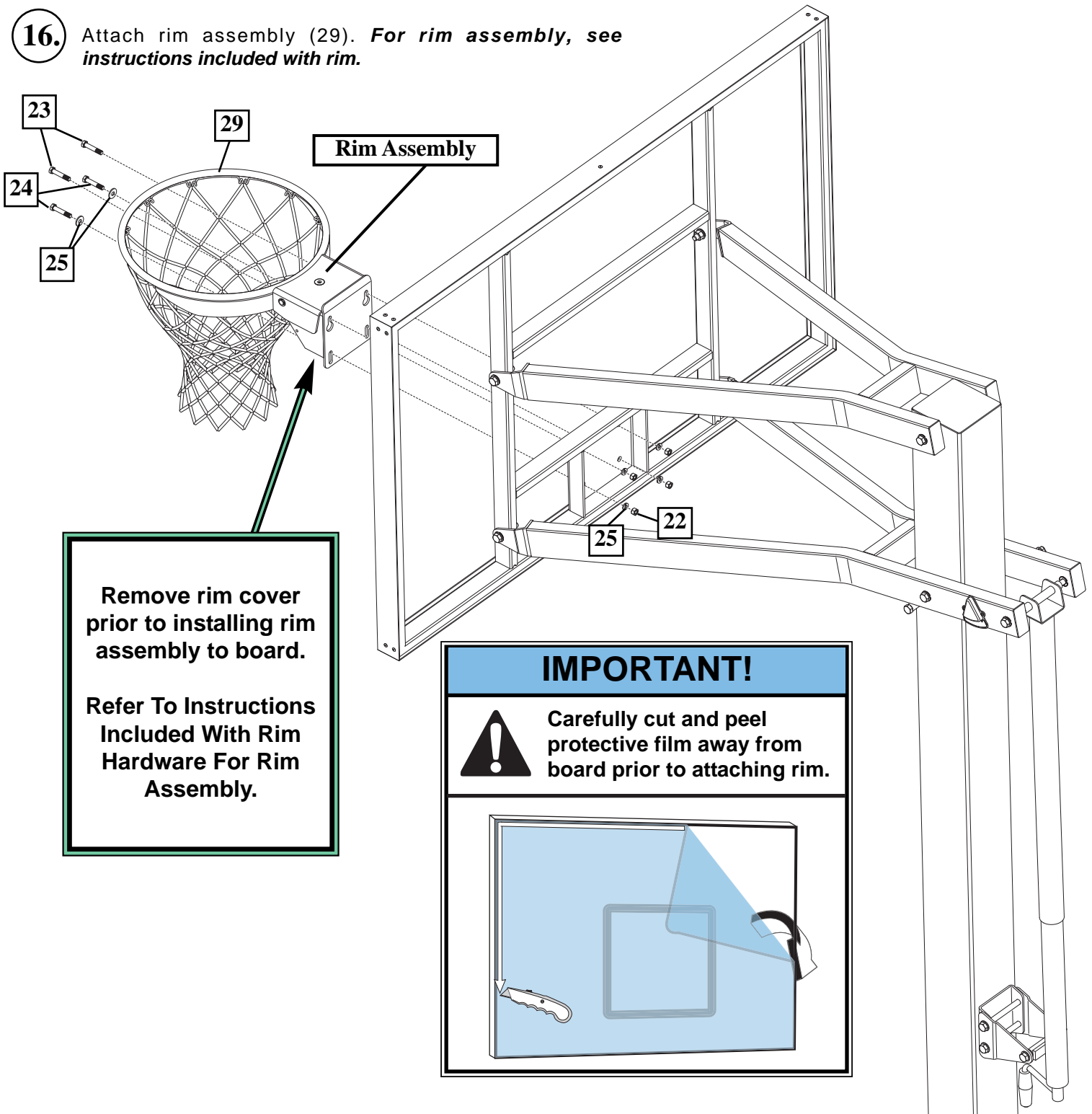
IMPORTANT!
Note Orientation of Height Indicators: 10' Mark Should Face Away From Backboard.



15. Install net (30) to rim as shown.



16. Attach rim assembly (29). *For rim assembly, see instructions included with rim.*

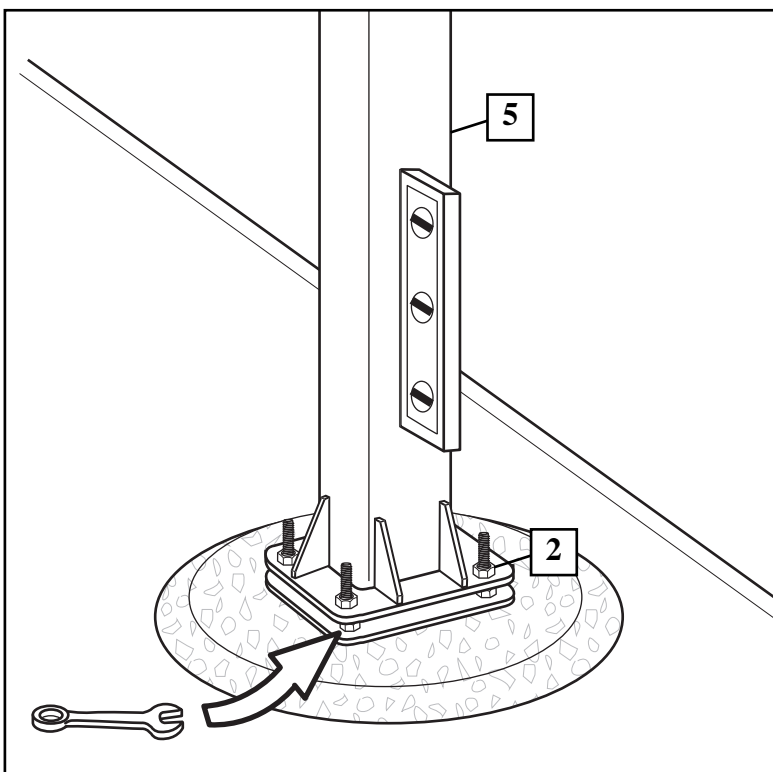


- 17.** Check leveling at this time. Pole (5) should be level in all directions. After system is leveled, completely tighten nuts (2) above pole flange.

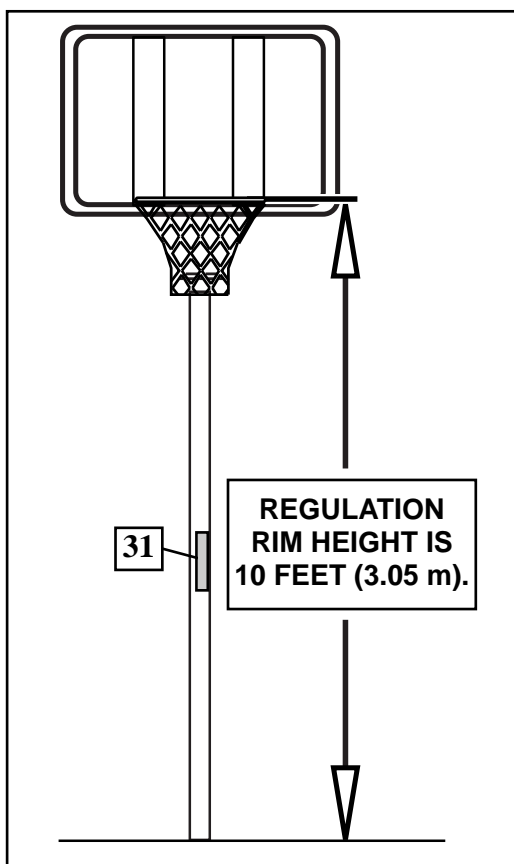


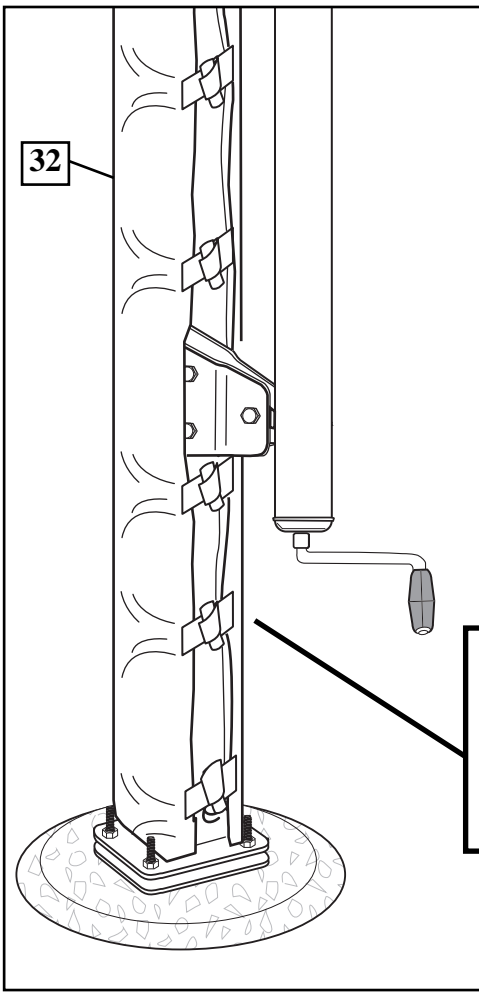
NOTE:

If adjustment is necessary, adjust system by rotating the nuts (2) between mounting plate (3) and pole flange.




- 18.** Apply height adjustment label (31) to front of pole as shown.

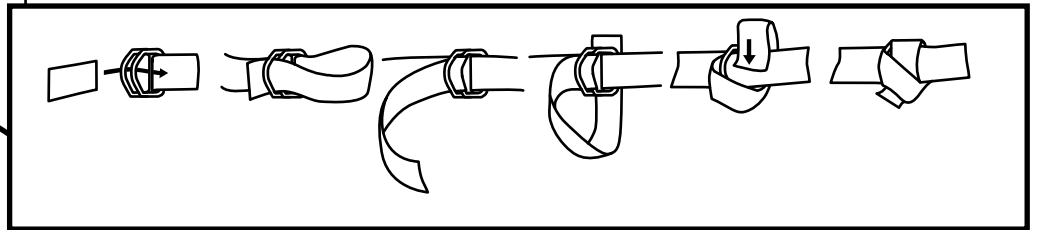
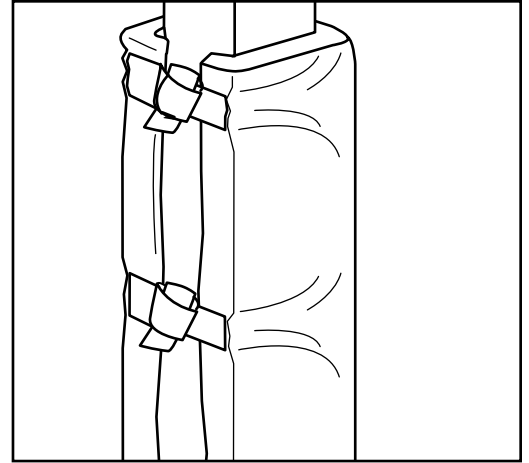




32


- 19.** Secure pole pad (32) as shown.

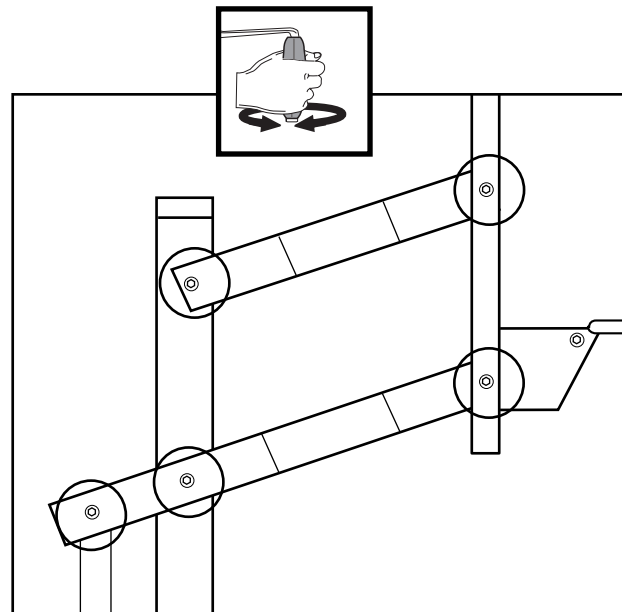
 **NOTE:**
Pole pad may NOT be included in this model.



Height Adjustment

- 20.** Rotate crank handle to raise or lower backboard.

 **NOTE:**
If height adjustment is difficult to operate, you may have over tightened the areas indicated.

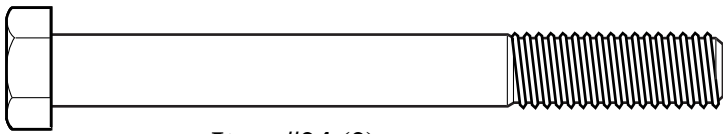


PARTS LIST

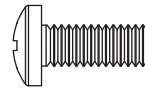
<input checked="" type="checkbox"/> Item	Qty.	Part No.	Description		<input type="checkbox"/>	Qty.	Part No.	Description
<input type="checkbox"/> 1	4	200573	J-Bolt, 1/2-13 x 24" Long		<input type="checkbox"/> 18	1	204739	Label, Height Indicator, Right
<input type="checkbox"/> 2	12	265575	Nut, Hex, 5/8-11		<input type="checkbox"/> 19	1	204740	Label, Height Indicator, Left
<input type="checkbox"/> 3	1	900661	Anchor Plate		<input type="checkbox"/> 20	1	222880	Crank, Jack
<input type="checkbox"/> 4	1	220579	Spacer, 0.53 I.D. x 0.75 O.D. x 5" Long		<input type="checkbox"/> 21	2	908292	Bracket, Crank Jack Support
<input type="checkbox"/> 5	1	908310	Pole		<input type="checkbox"/> 22	4	203017	Nut, Hex, 3/8-16
<input type="checkbox"/> 6	8	200704	Washer, 5/8" x 1.5 O.D.		<input type="checkbox"/> 23	2	205347	Bolt, Carriage, 3/8-16 x 3.5" Long
<input type="checkbox"/> 7	2	205125	Spacer, 0.53 I.D. x 0.75 O.D. x 1.88" Long		<input type="checkbox"/> 24	2	200512	Bolt, Hex, Tap, 3/8-16 x 3.5" Long
<input type="checkbox"/> 8	1	908312	Support Arm, Upper		<input type="checkbox"/> 25	6	203309	Washer, Flat, 3/8"
<input type="checkbox"/> 9	1	908311	Support Arm, Lower		<input type="checkbox"/> 26	4*	203300	Washer, 3/8 Locking,
<input type="checkbox"/> 10	4	206271	Bolt, Hex Head, 1/2-13 x 2-1/2" Long		<input type="checkbox"/> 27	8	204670A	Bushing, Plastic
<input type="checkbox"/> 11	3	205516	Bolt, Hex Head, 1/2-13 x 5.75" Long		<input type="checkbox"/> 28	20	204670C	Bushing, Plastic
<input type="checkbox"/> 12	3	205515	Bolt, Hex Head, 1/2-13 x 10.25" Long		<input type="checkbox"/> 29	1		Rim
<input type="checkbox"/> 13	20	202651	Washer, Flat, 1/2"		<input type="checkbox"/> 30	1		Net
<input type="checkbox"/> 14	11	206340	Lock Nut, Hex 1/2-13		<input type="checkbox"/> 31	1	200685	Label, Height Adjustment
<input type="checkbox"/> 15	2	205082	Spacer, 0.53 I.D. x 0.75 O.D. x .38 Long		<input type="checkbox"/> 32	1	205600	Pole Pad, Hydra-Rib (May Not Be Included)
<input type="checkbox"/> 16	2	204735	Height Indicator			1	205600S	Pole Pad, Spalding (May Not Be Included)
<input type="checkbox"/> 17	4	204733	Screw, #8 x .050" Long		<input type="checkbox"/> 33	1	205515	Bolt, Hex, 1/2-13 x 10.25" Long
<input checked="" type="checkbox"/> Item	Qty.	Part No.	Description		<input type="checkbox"/> 34	1	205076	Bolt, Hex, 1/2-13 x 5.5" Long

* You May Have Extra Parts With This Model.

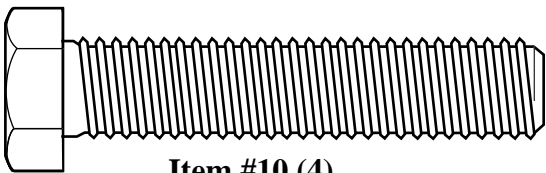
HARDWARE IDENTIFIER (BOLTS)



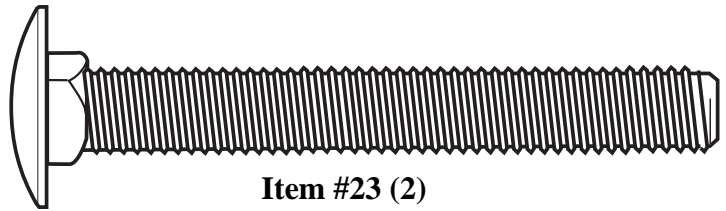
Item #24 (2)



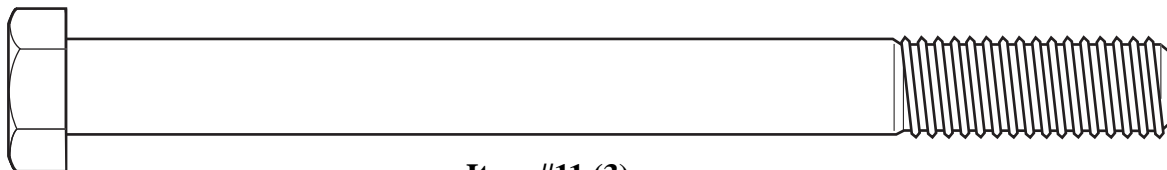
Item #17 (4)



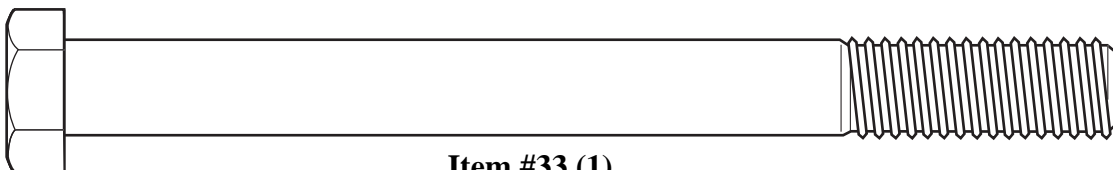
Item #10 (4)



Item #23 (2)



Item #11 (3)

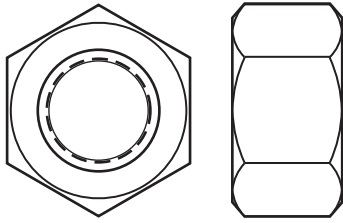


Item #33 (1)

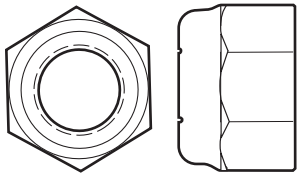
HARDWARE IDENTIFIER (NUTS, WASHERS & STEEL SPACERS)



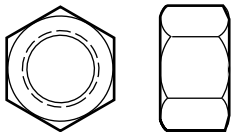
Item #4 (1)



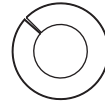
Item #2 (12)



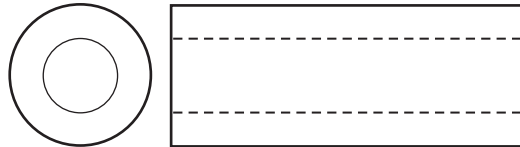
Item #14 (11)



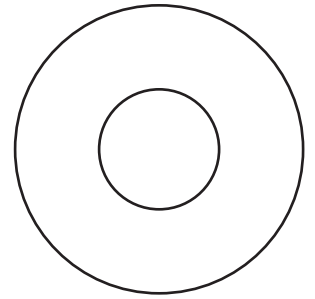
Item #22 (4)



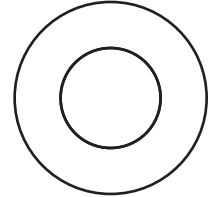
Item #26 (4)*



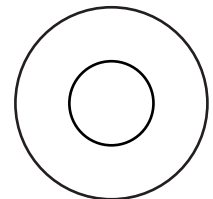
Item #7 (2)



Item #6 (8)



Item #13 (20)

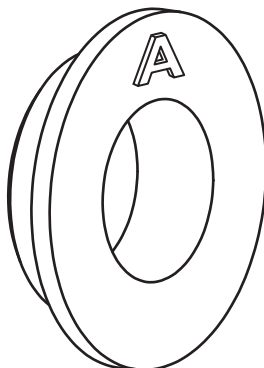


Item #25 (6)

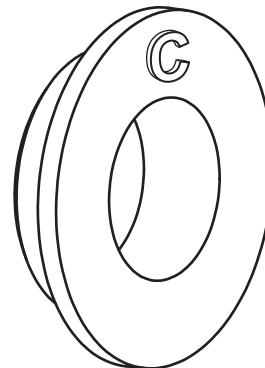
HARDWARE IDENTIFIER (PLASTIC & NYLON SPACERS)



Item #15 (2)



Item #27 (8)



Item #28 (20)

* You May Have Extra Parts With This Model.

Free Manuals Download Website

<http://myh66.com>

<http://usermanuals.us>

<http://www.somanuals.com>

<http://www.4manuals.cc>

<http://www.manual-lib.com>

<http://www.404manual.com>

<http://www.luxmanual.com>

<http://aubethermostatmanual.com>

Golf course search by state

<http://golfingnear.com>

Email search by domain

<http://emailbydomain.com>

Auto manuals search

<http://auto.somanuals.com>

TV manuals search

<http://tv.somanuals.com>