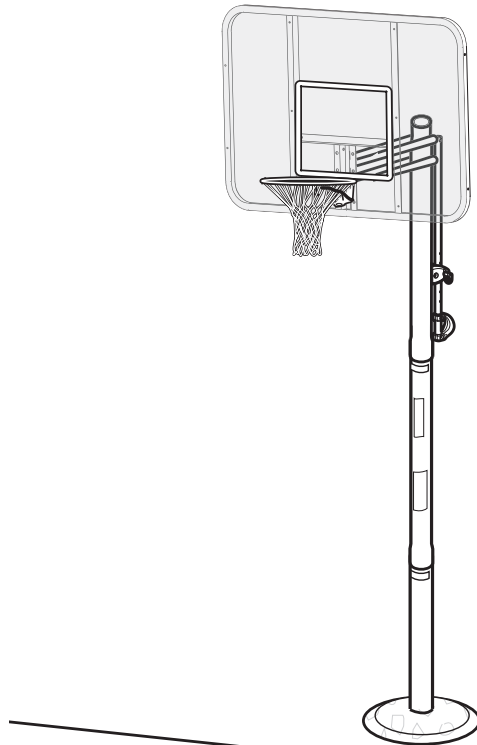


# Inground System Owners Manual

Customer Service Center  
 • N53 W24700 South Corporate Circle • Sussex, WI 53089  
 • U.S.A.



## REQUIRED TOOLS AND MATERIALS:



• 2 People



• Carpenter's Level



• 15' Tape Measure



• Shovel & Post Hole Digger



• Wood Board (scrap)



• Tape



• Sawhorse or Support Table



• Wedge



• Phillips Screwdriver



• Hammer



• Heavy Duty Tape



• Stepladder 8 ft. (2.4 m)



• Safety Goggles

• (2 each) Wrenches and/or Socket Wrenches and Sockets (Deep-Well Sockets are Recommended).



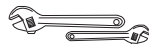
7/16" 1/2" 9/16" 3/4"



7/16" 1/2" 9/16" 3/4"



• Optional: Large & Small Adjustable Wrenches

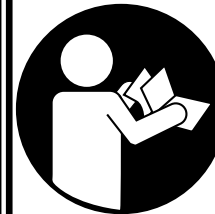


**CONCRETE**  
540 LBS.  
(245 KG.)

• Container to Mix



## ! WARNING!

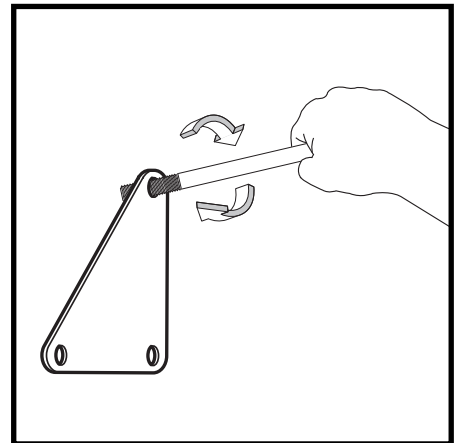
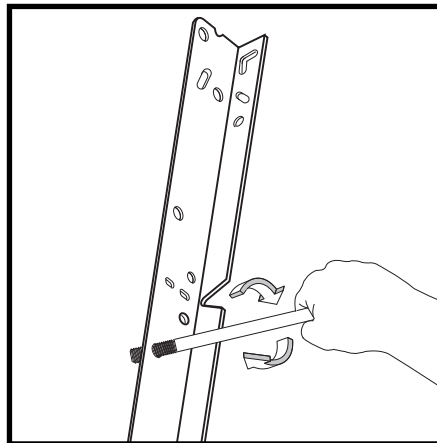
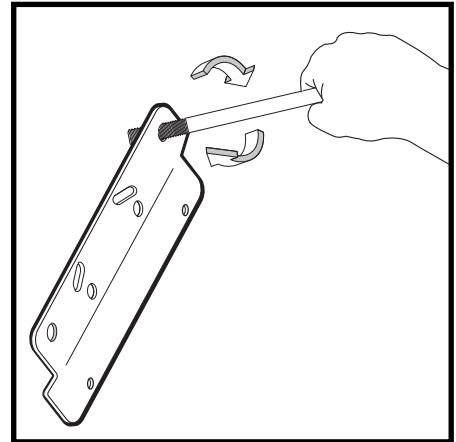
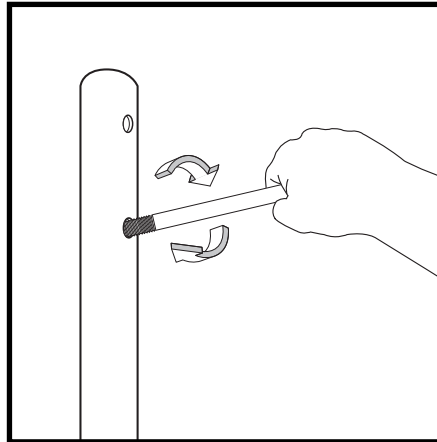


READ AND UNDERSTAND OPERATOR'S MANUAL BEFORE USING THIS UNIT.

FAILURE TO FOLLOW OPERATING INSTRUCTIONS COULD RESULT IN INJURY OR DAMAGE TO PROPERTY.

Toll-Free Customer Service Number for U.S.: 1-800-558-5234,  
 For Canada: 1-800-284-8339,  
 For Europe: 00 800 555 85234 (Sweden: 009 555 85234),  
 For Australia: 1-800-632 792  
 Internet Address: <http://www.huffysports.com>

# BEFORE YOU START!



To ensure optimal playability of backboard system, a close tolerance fit between the elevator components and hardware is required. Test-fit large bolts into large holes of elevator tubes, backboard brackets, and triangle plates. Carefully rock them in a circular motion to ream out any excess paint from holes if necessary.

Not all items pictured are included with every model.



## WARNING

Read and understand warnings listed below before using this product.

Failure to follow these warnings may result in serious injury and/or property damage.

Owner must ensure that all players know and follow these rules for safe operation of the system.

- **DO NOT HANG** on the rim or any part of the system including backboard, support braces or net.
- During play, especially when performing dunk type activities, keep player's face away from the backboard, rim and net. Serious injury could occur if teeth/face come in contact with backboard, rim or net.
- Do not slide, climb, shake or play on base and/or pole.
- When adjusting height or moving system, keep hands and fingers away from moving parts.
- Do not allow children to move or adjust system.
- During play, do not wear jewelry (rings, watches, necklaces, etc.). Objects may entangle in net.
- Keep organic material away from pole base. Grass, litter, etc. could cause corrosion and/or deterioration.
- Check pole system for signs of corrosion (rust, pitting, chipping) and repaint with exterior enamel paint. If rust has penetrated through the steel anywhere, replace pole immediately.
- Check system before each use for proper ballast, loose hardware, excessive wear and signs corrosion and repair before use.
- Check system before each use for instability.
- Never play on damaged equipment.
- Keep pole top covered with cap at all times.
- See instruction manual for proper installation and maintenance.

**SPALDING**  
In the U.S.: 1-800-558-5234  
In Canada: 1-800-284-8339

**HYDRA-RIB**  
In the U.S.: 1-800-334-9111

**RUSSELL**  
ATHLETIC

**SURE SHOT**  
In the U.S.: 1-888-713-5488

**HUFFY SPORTS**  
In the U.S.: 1-800-558-5234  
In Canada: 1-800-284-8339

ID#: 588000 05/05



# SAFETY INSTRUCTIONS



**FAILURE TO FOLLOW THESE SAFETY INSTRUCTIONS MAY RESULT IN SERIOUS INJURY, PROPERTY DAMAGE AND WILL VOID WARRANTY.**

*Owner must ensure that all players know and follow these rules for safe operation of the system.*

To ensure safety, do not attempt to assemble this system without following the instructions carefully. Proper and complete assembly, use and supervision is essential for proper operation and to reduce the risk of accident or injury. A high probability of serious injury exists if this system is not installed, maintained, and operated properly. Check entire box and inside all packing material for parts and/or additional instructional material. Before beginning assembly, read the instructions and identify parts using the hardware identifier and parts list in this document.

- If using a ladder during assembly, use extreme caution.
- Two (2) people are recommended for this operation.
- Seat the pole sections properly. Failure to do so could allow the pole sections to separate during play.
- Before digging, contact utility company to locate underground power cables, gas, and water lines. Ensure there are no overhead power lines within 20 ft. (7 m) radius of pole location.
- Climate, corrosion, excessive use, or misuse could result in system failure.
- If technical assistance is required, contact Huffy Sports.
- Minimum operational height is 6'6" (1.98 m) to the bottom of backboard.
- This equipment is intended for home recreational use only and NOT excessive competitive play.
- Read and understand the warning label affixed to pole.
- The life of your basketball pole depends on many conditions. The climate, placement of the pole, the location of the pole, exposure to corrosives such as pesticides, herbicides, or salts are all important.
- Adult supervision is recommended when adjusting height.
- Serious injury could occur if teeth/face come in contact with backboard, net, or rim.

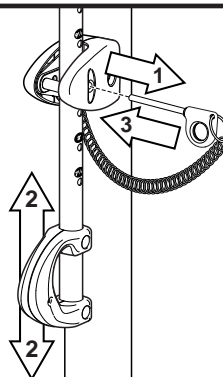
*Most injuries are caused by misuse and/or not following instructions.  
Use caution when using this system.*

35

## HEIGHT ADJUSTMENT

TO ADJUST BACKBOARD:

1. While holding handle, remove pin.
2. Move elevator up or down to desired height.
3. Replace pin full length to lock system at desired height.



201251 2/99

## NOTICE TO ASSEMBLERS

ALL Basketball Systems, including those used for DISPLAYS, MUST be assembled and ballasted with sand, water or concrete according to the instructions. Failure to follow instructions could result in **SERIOUS INJURY**. It is **NOT** acceptable to devise a makeshift weight system.



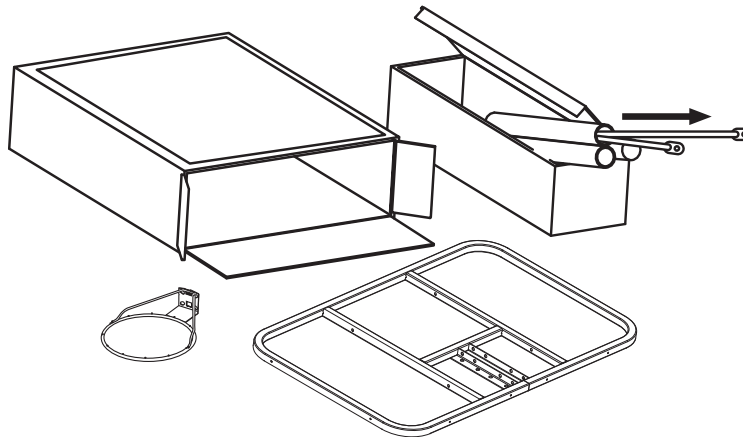
**Questions or Missing Parts?**

**DON'T go back to store!**

Call TOLL-FREE Customer Service  
Number listed on the front page!

### IMPORTANT!

**Remove all contents from boxes.  
Be sure to check inside pole sections;  
hardware and additional parts are  
packed inside.**



#### WARRANTY CARD:

Please remember to complete your product registration form either on-line at:

**[www.huffysports.com/customer\\_support/product\\_registration](http://www.huffysports.com/customer_support/product_registration)**  
or mail-in the enclosed postcard.

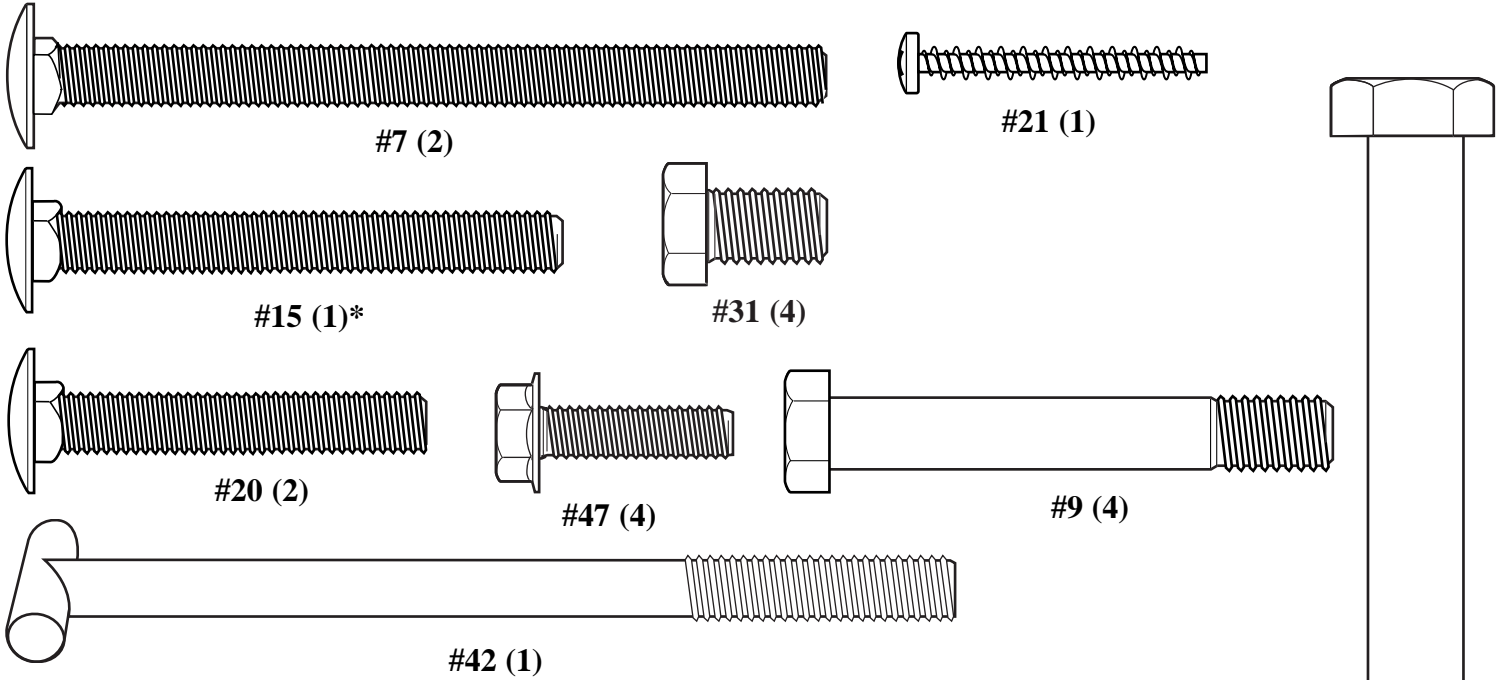
For more information on assembly, placement, proper use, and maintenance, visit The American Basketball Council website at <http://www.smarthoops.com>.

## PARTS LIST - See Hardware Identifier

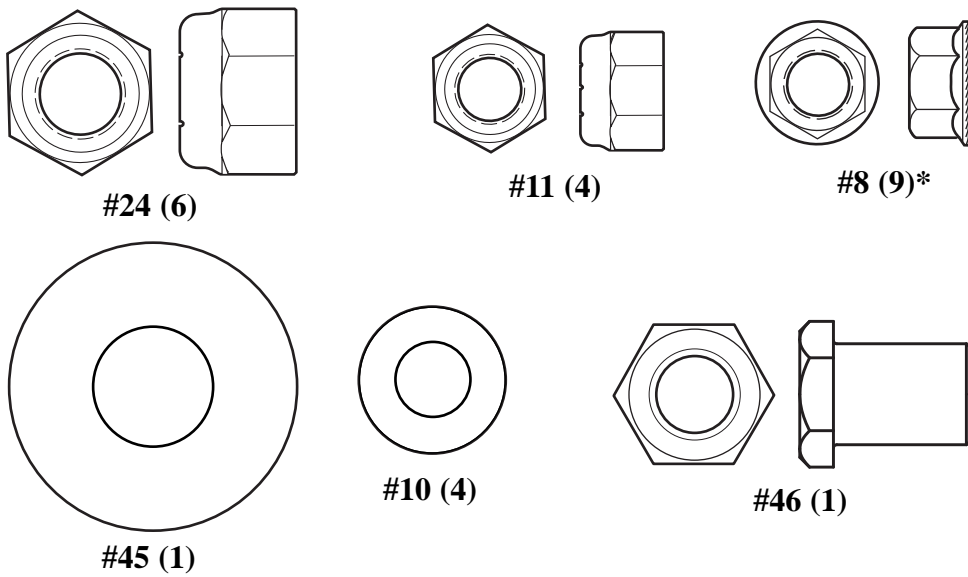
<u>Item</u>	<u>Qty.</u>	<u>Part No.</u>	<u>Description</u>
1	1	908123	Top Pole Section
2	1	90812501	Middle Pole Section
3	1	908124	Bottom Pole Section
4	2	202800	Ground Sleeve
5	1	202801	Ground Sleeve Cap
6	1	204832	Bracket, Pole Mount
7	2	203053	Carriage Bolt, 5/16-18 x 4 Long
8	9*	203100	Hex Flange Nut, 5/16-18
9	4	206360	Bolt, Hex Head, 3/8-16 x 2-5/8 Long
10	4	203232	Washer, Metal, 3/4" O.D.
11	6*	203063	Nut, Nylock, Hex Head, 3/8-16
12	2	204858	Spacer, Biscuit, Plastic
13	2	204857	Spacer, Metal 1/2" O.D. x 1.44 Long
14	2	204859	Cover, Spring
15	1*	203038	Carriage Bolt, 5/16-18 x 2-3/4 Long
16	1	204850	Pin, Locking
17	1	204853	Lanyard, Black Coil
18	1	908152	Height Adjustment Rod
19	1	204872	Label, Height Indicator
20	2	203103	Carriage Bolt, 5/16-18 x 2 Long
21	1	204803	Screw, Phillips Head
22	4	202862	Spacer, .563 ID x 1.190 Long
23	4	206311	Spacer, .53 I.D. x .65 O.D. x .5 Long
24	6	206340	Lock Nut, 1/2-13
25	2	90096401	Board Bracket
26	1	207103	Cap, Pole, 3.5" X .75"
27	6	206244	Bolt, Hex Head 1/2-13 x 8 Long
28	2	900183	Elevator Tube, Lower-Long
29	2	204838	Spring
30	2	904807	Elevator Tube, Upper-Short
31	4	204961	Bolt, Hex Head, 3/8-16 x 0.625 Long
32	1		Rim
33	1	588000	Warning Label
34	1		Net
35	1	201251	Label, Height Adjustment
36	1	203279	Anti-Skid Tape
37	1	204855	Handle, Left
38	1	204856	Handle, Right
39	2	201683	Spacer, Black, 1.5 Long
40	1	206990	Bracket Reinforcement
41	1	900033	Slam Jam Bracket, Black
42	1	203796	Bolt, "Tee" 3/8 - NC x 5 Long
43	1	200318	Bracket Reinforcement, Slam Jam
44	1	203472	Spring, Black
45	1	203470	Washer, Flat 5/8 I.D. x 1-1/2 O.D.
46	1	203795	Nut, Special 3/8-NC
47	4	205528	Bolt, Hex-Flange 5/16-18 x 1" Long
48	1	903601	Rebar
49	2	204159	Rebar Centering Spacer

\* YOU MAY HAVE EXTRA PARTS WITH THIS MODEL.

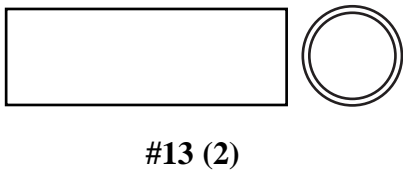
## HARDWARE IDENTIFIER (BOLTS & SCREWS)



## HARDWARE IDENTIFIER (NUTS & WASHERS)

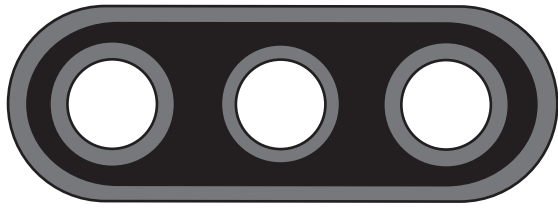


## HARDWARE IDENTIFIER (METAL SPACERS)



\* You may have extra parts with this model.

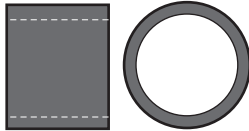
**HARDWARE IDENTIFIER (PLASTIC SPACERS & CLIPS)**



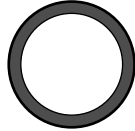
**#12 (2)**



**#22 (4)**

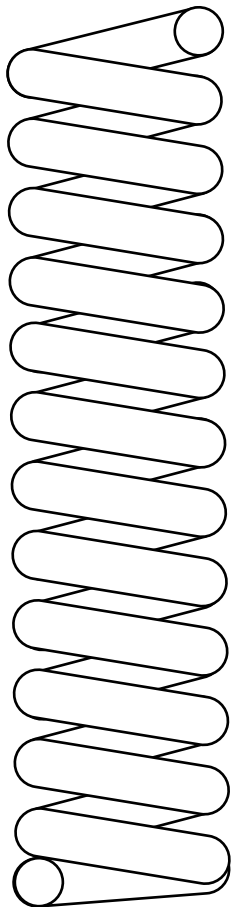


**#23 (4)**

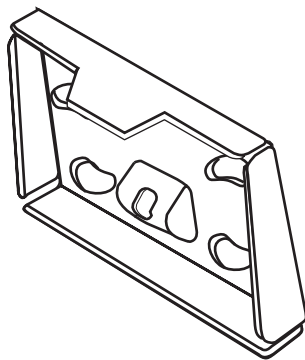


**#39 (2)**

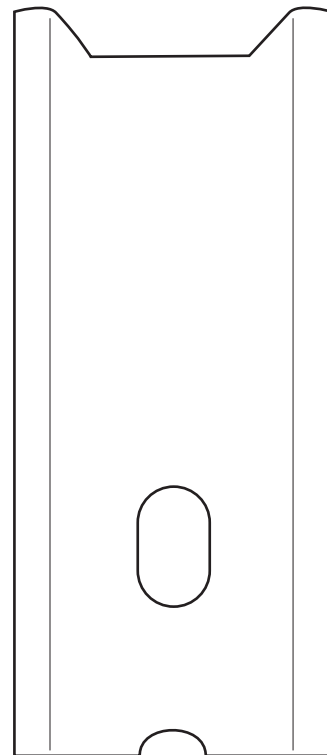
**HARDWARE IDENTIFIER (OTHER)**



**#44 (1)**



**#41 (1)**

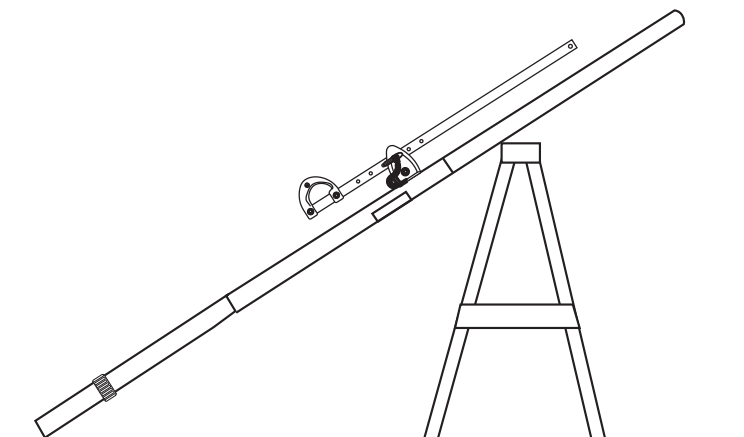


**#43 (1)**

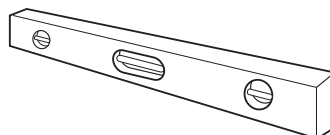


# SECTION A: ASSEMBLE THE POLE

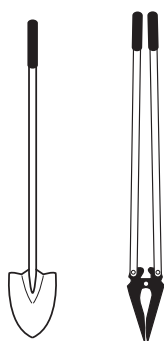
This is what your system will look like when you've finished this section:



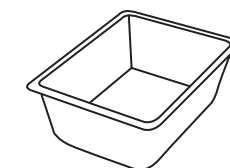
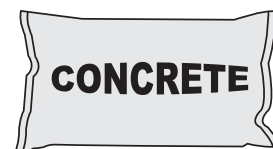
## TOOLS REQUIRED FOR THIS SECTION



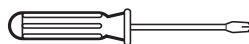
**Carpenter's Level**



**Shovel and Post Hole Digger**

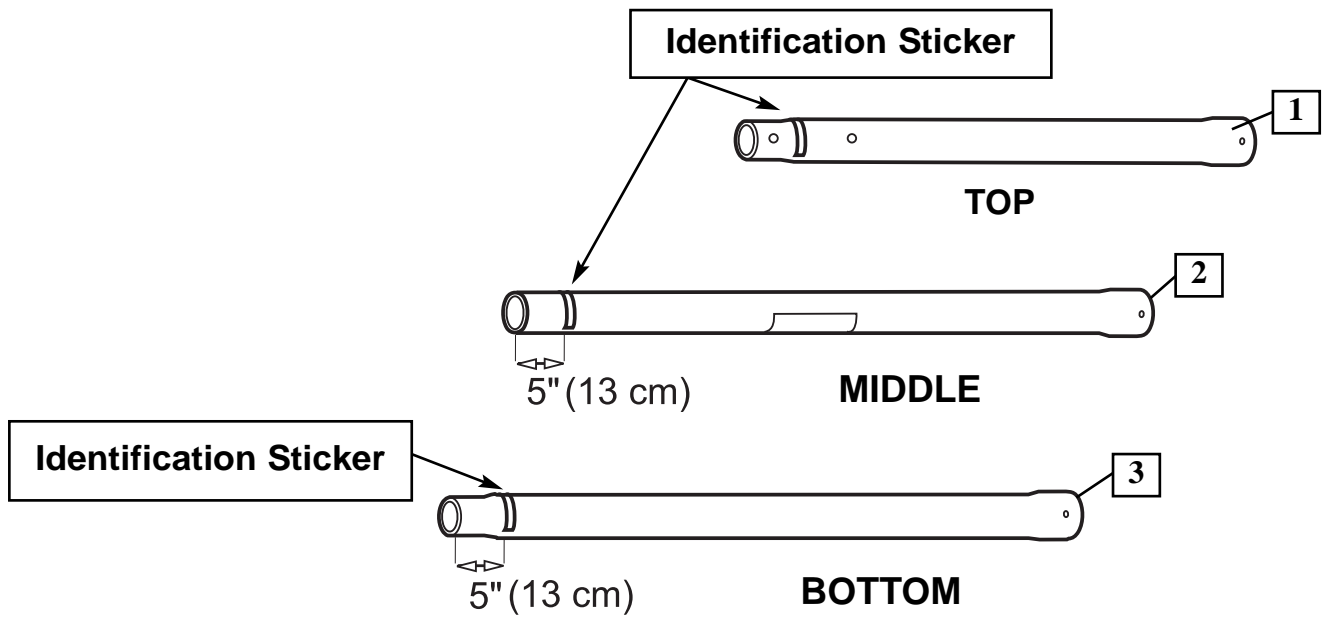


**Container to Mix**

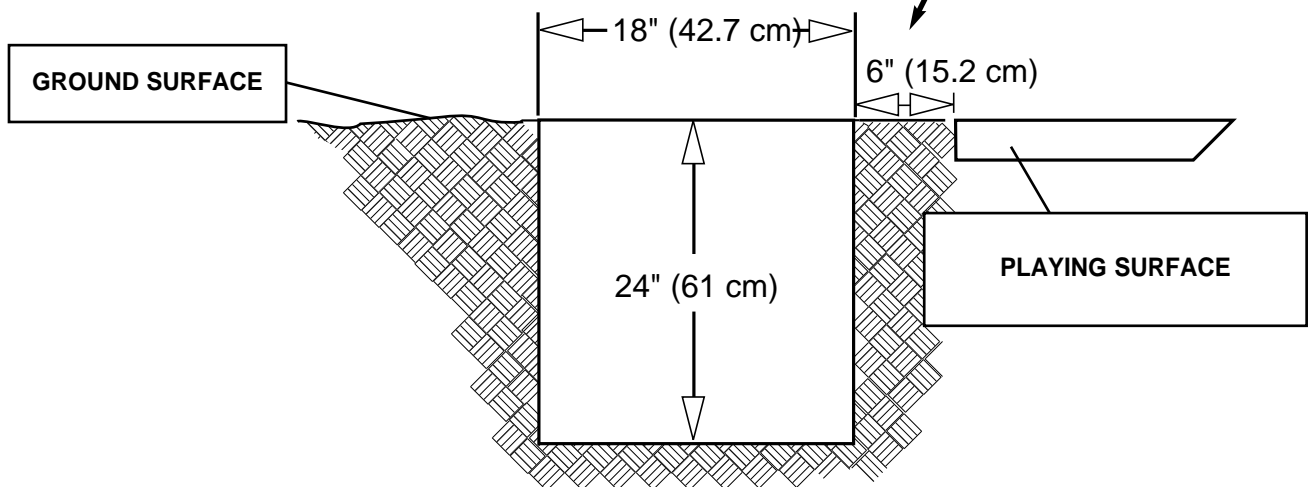
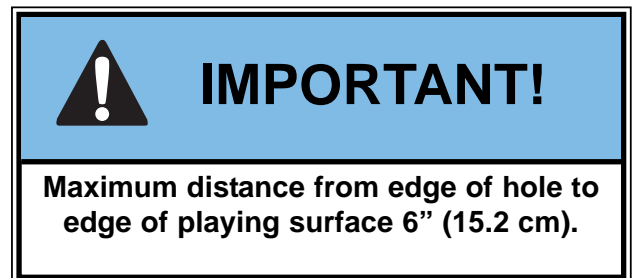
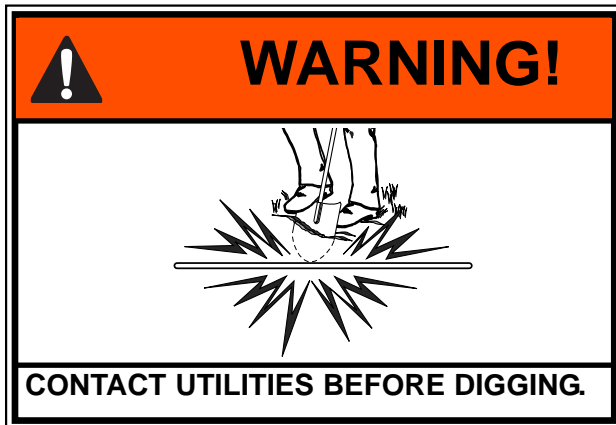


**Phillips-Head  
Screwdriver**

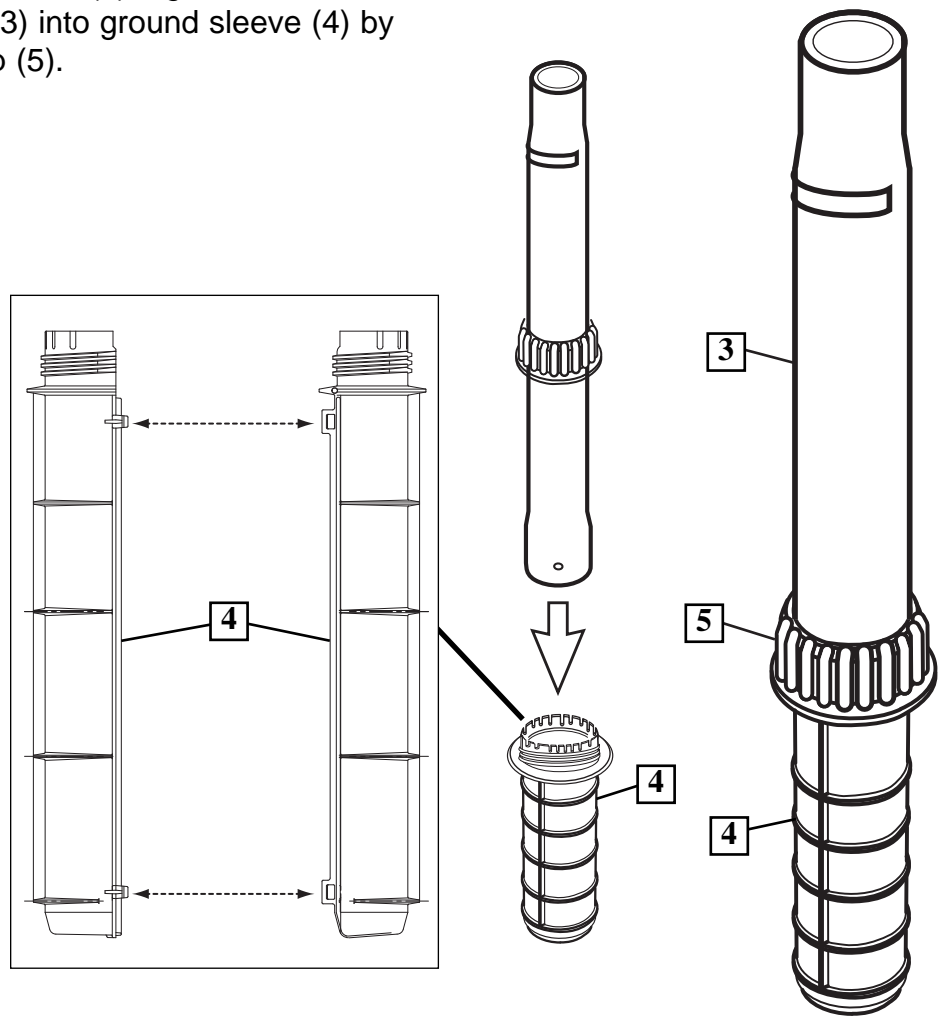
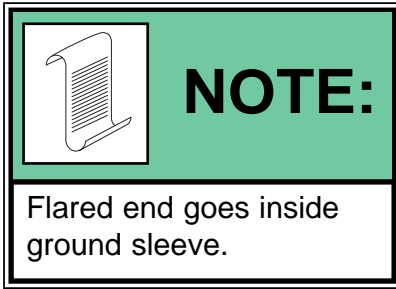
1. Correctly identify each pole section.



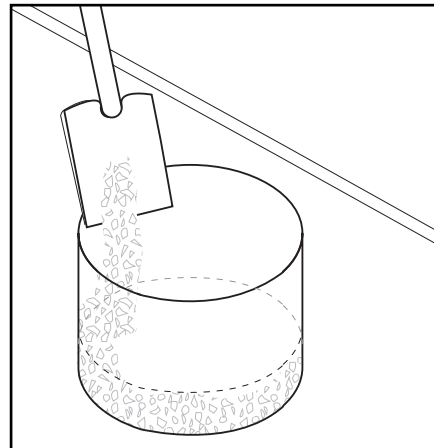
2. Ensure ground is level with playing surface, then dig pole hole.



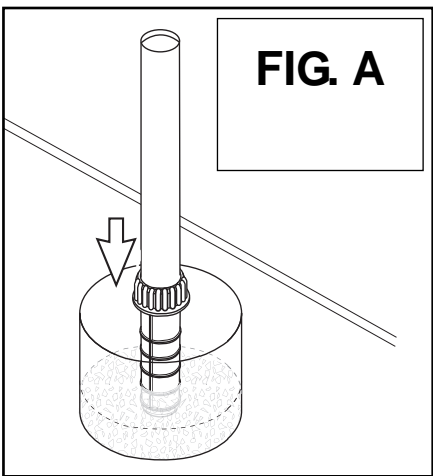
- 3.** Snap two halves of ground sleeve (4) together. Insert and secure bottom pole section (3) into ground sleeve (4) by tightening ground sleeve cap (5).




- 4.** Fill hole approximately 1/3 full with mixed concrete.




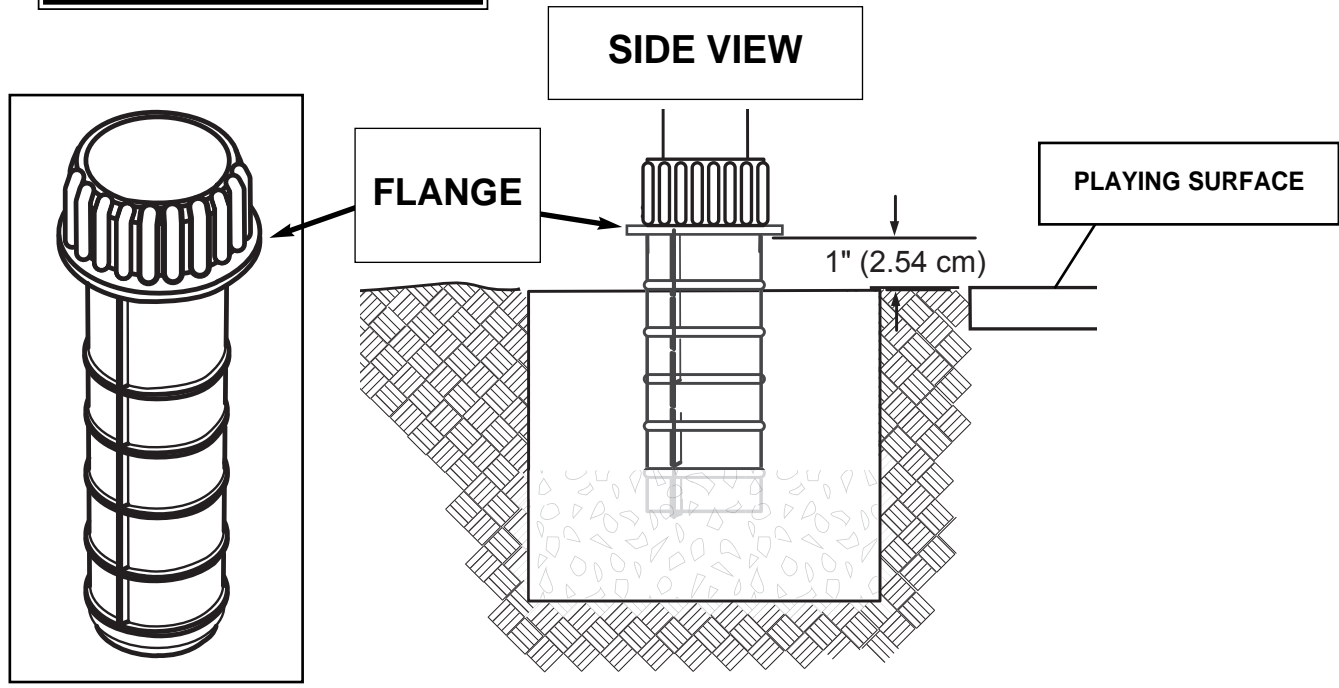
5.



Insert ground sleeve assembly and center in hole (**FIG. A**).

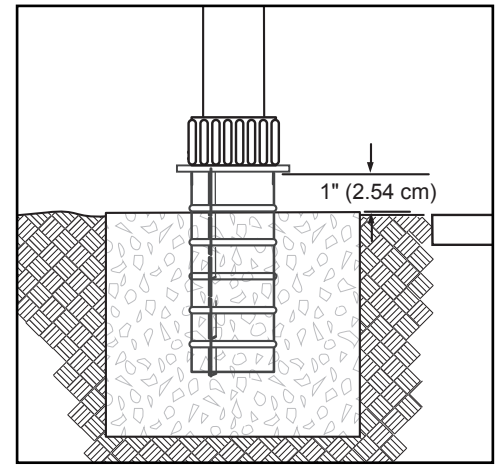
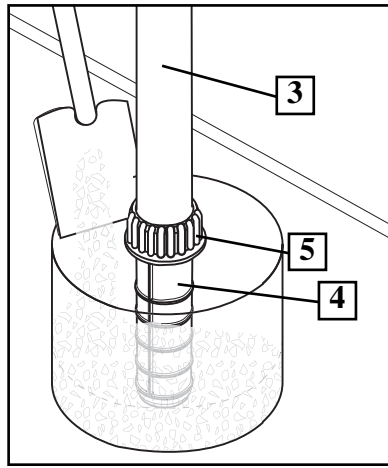
 **NOTE:**  
Leave 1" below flange exposed for drainage hill.

 **IMPORTANT!**  
**NOTE POSITION OF FLANGE.**



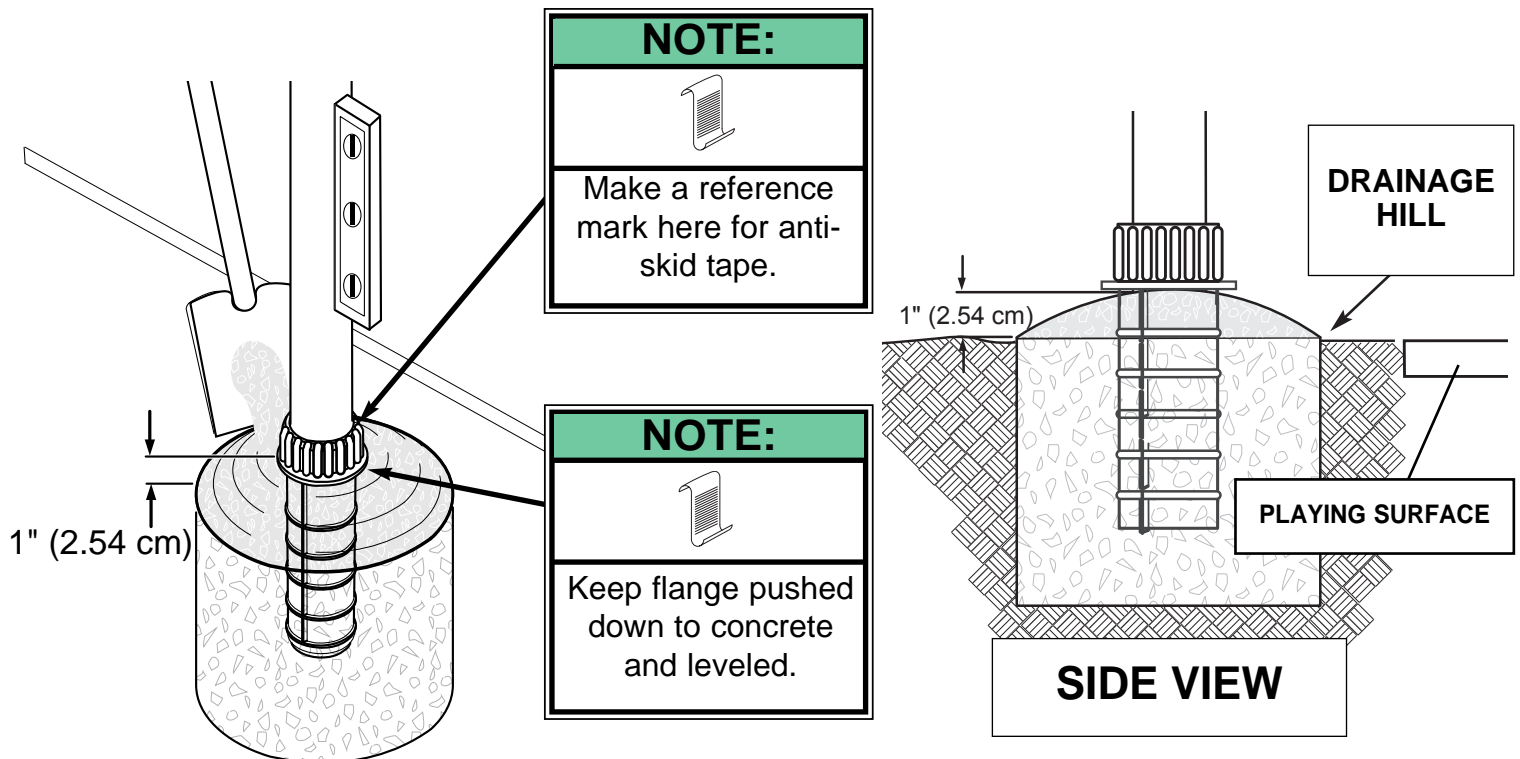
**IMPORTANT!** CONTINUE ON TO NEXT STEP. DO NOT WAIT FOR CONCRETE TO CURE.

**6.** Fill hole completely with concrete.



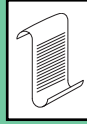
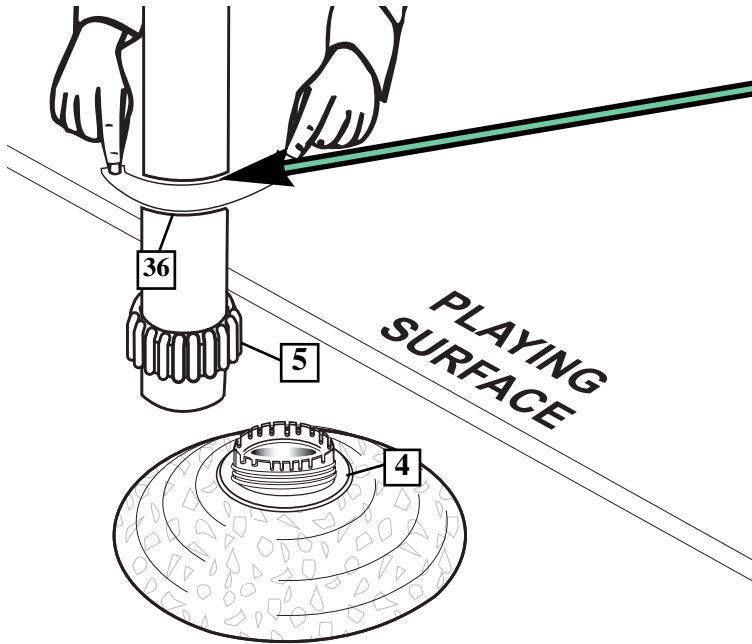
**IMPORTANT!** CONTINUE ON TO NEXT STEP. DO NOT WAIT FOR CONCRETE TO CURE.

**7.** Tamp down concrete to release air pockets and build drainage hill. Level pole section in all directions several times while concrete is curing.



**IMPORTANT!** WAIT A MINIMUM OF 24 HOURS BEFORE GOING ON TO NEXT STEP. CONCRETE MUST CURE.

- 8.** After concrete has cured, remove bottom pole section from ground sleeve (4). Place anti-skid tape (36) around the bottom area of bottom pole (see note A).

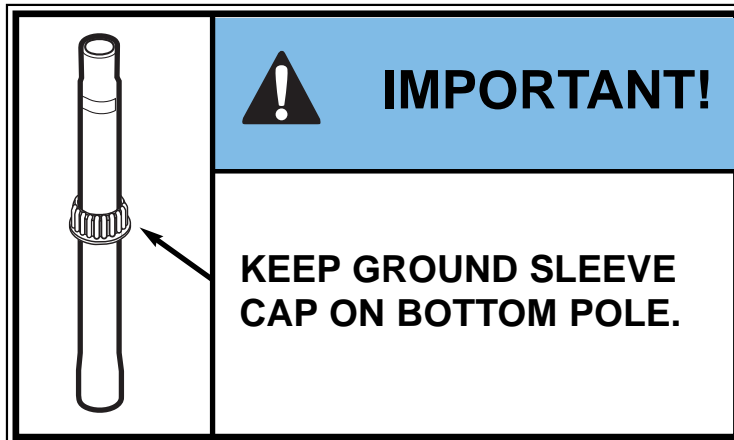


### NOTE A:

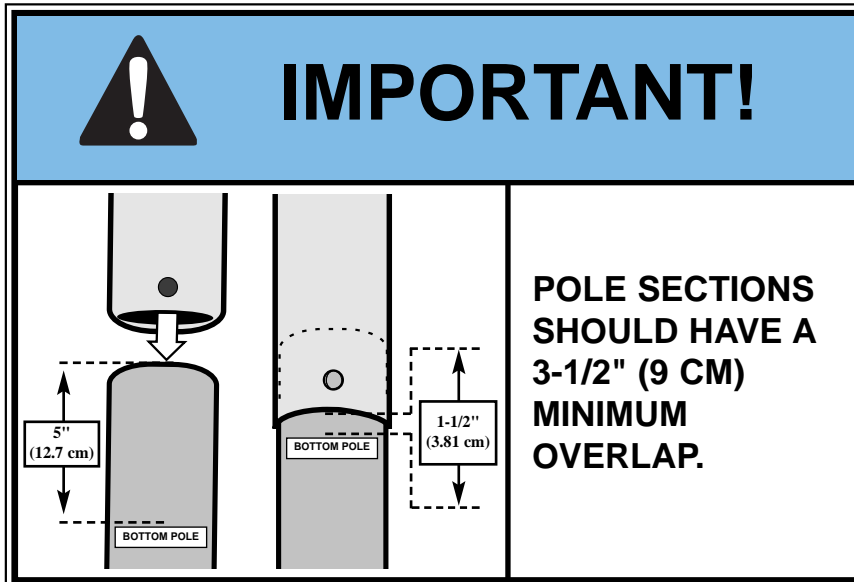
Place top edge of anti-skid tape on mark made in step 7, NOTE A.

### NOTE B:

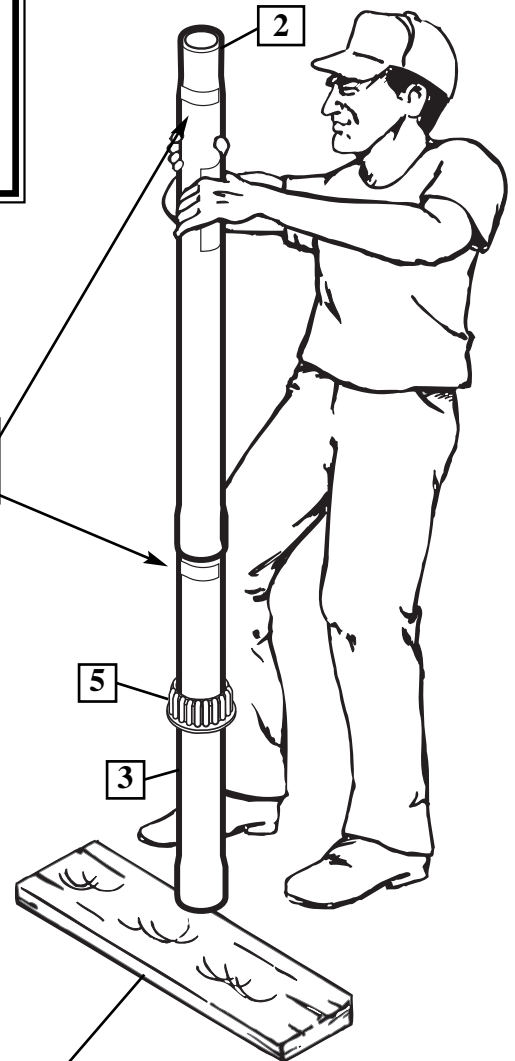
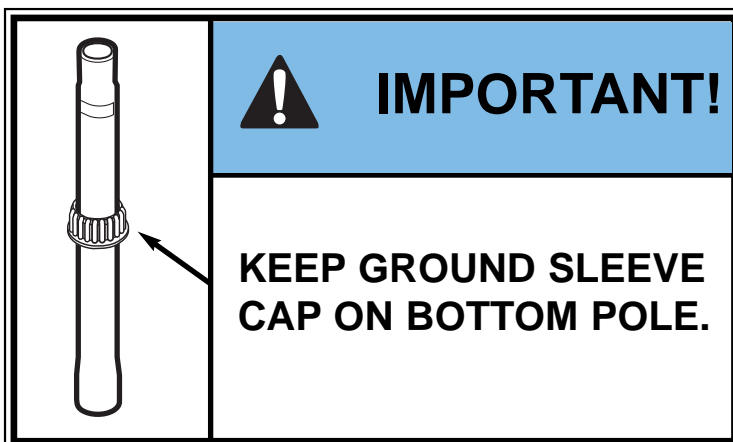
Tape prevents the pole from rotating during play.



9. Stack and bounce bottom (3) and middle (2) pole sections together. Bounce pole sections together until middle section no longer moves toward taped reference mark on bottom pole.

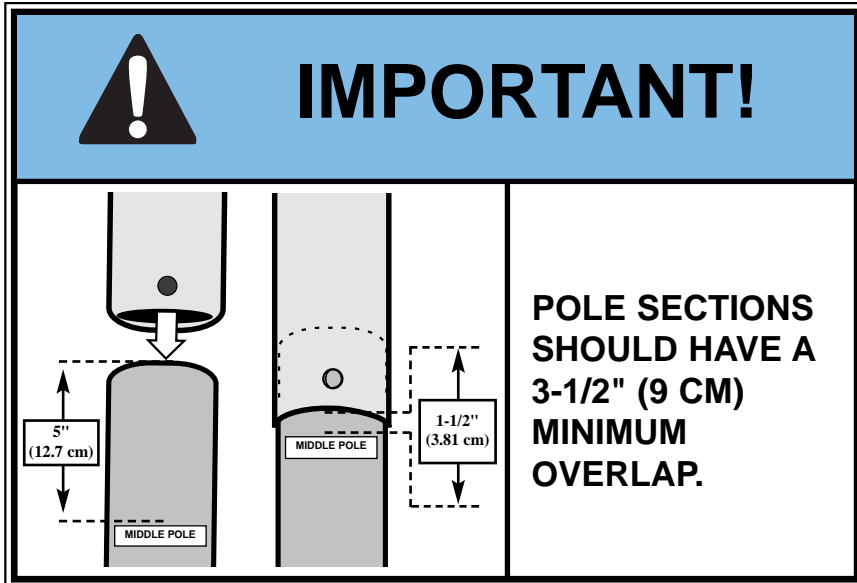


Identification Sticker

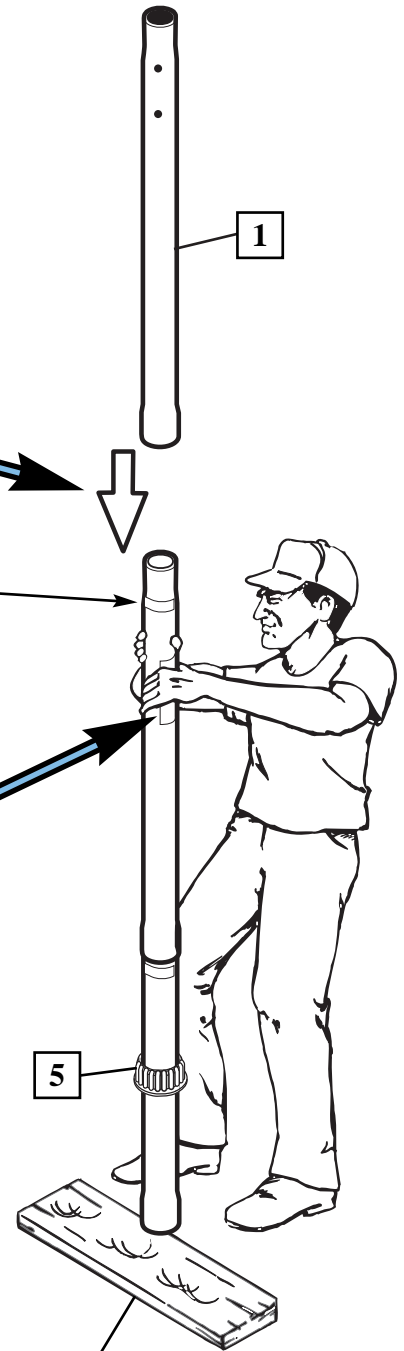
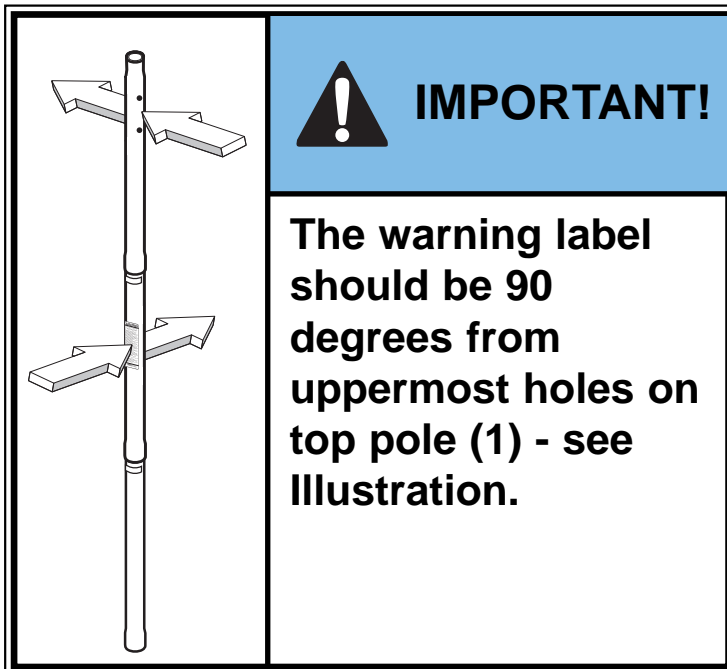


Wood Scrap (NOT SUPPLIED)

10. Stack upper pole section (1) to bottom and middle pole assembly and continue bouncing until top pole (1) no longer moves toward taped reference mark on middle pole.



Identification Sticker

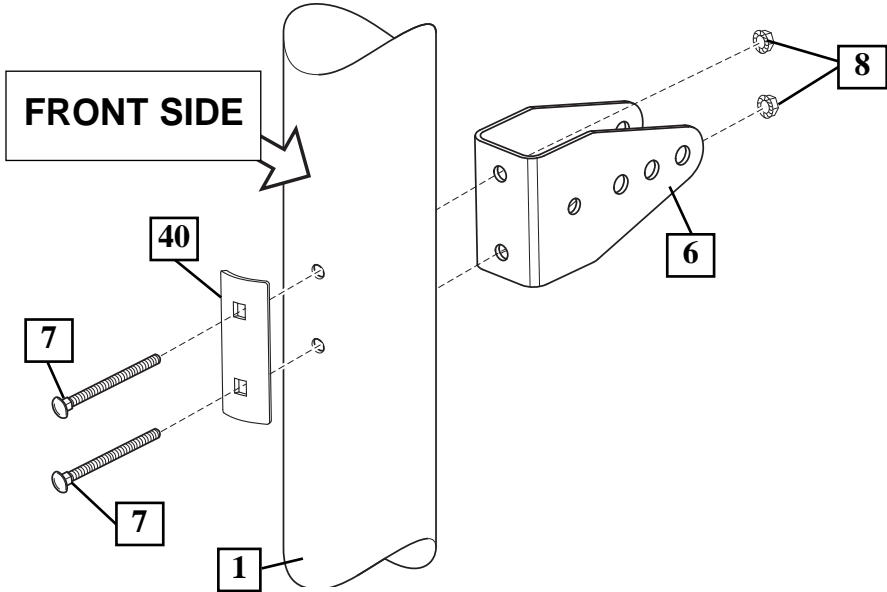
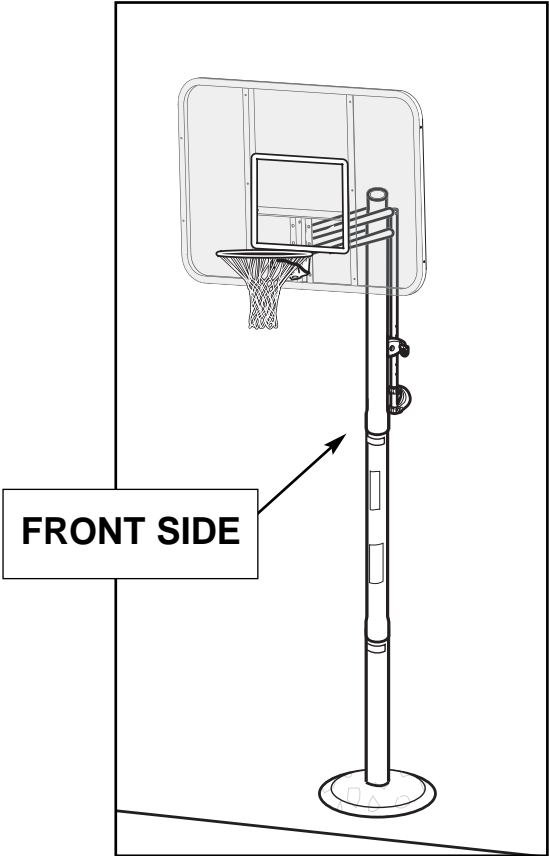


Wood Scrap (NOT SUPPLIED)

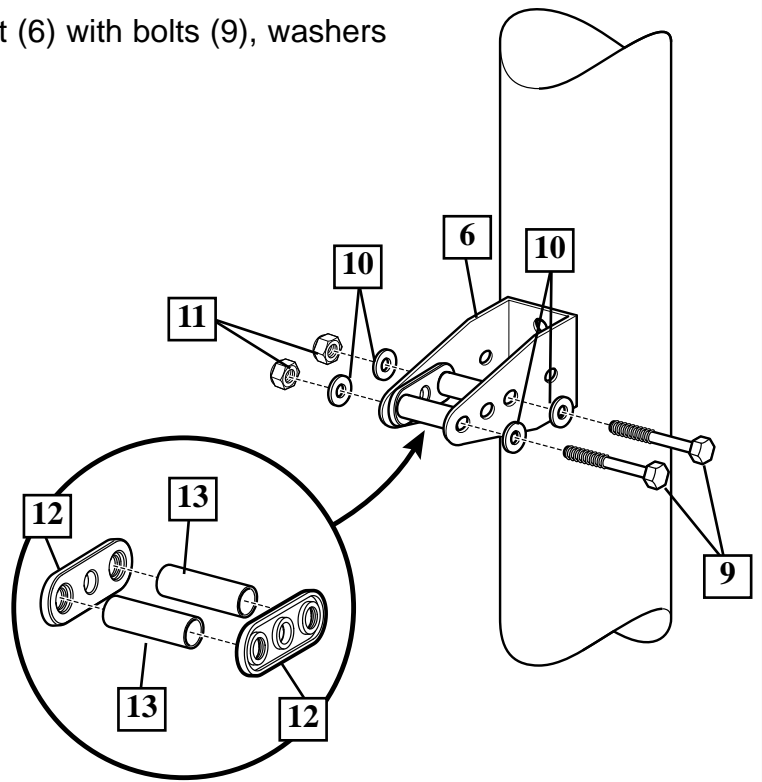


**11.**

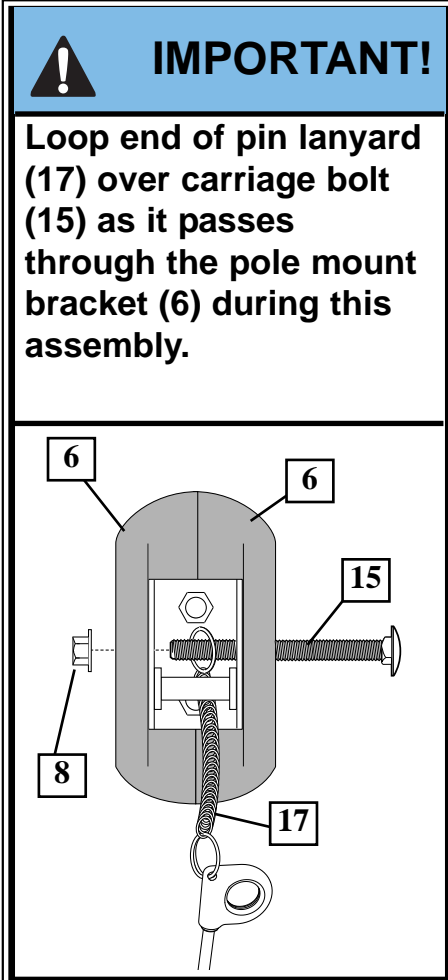
Install pole mount bracket (6) and bracket reinforcement (40) with carriage bolts (7) as shown. Tighten flange nuts (8) completely.



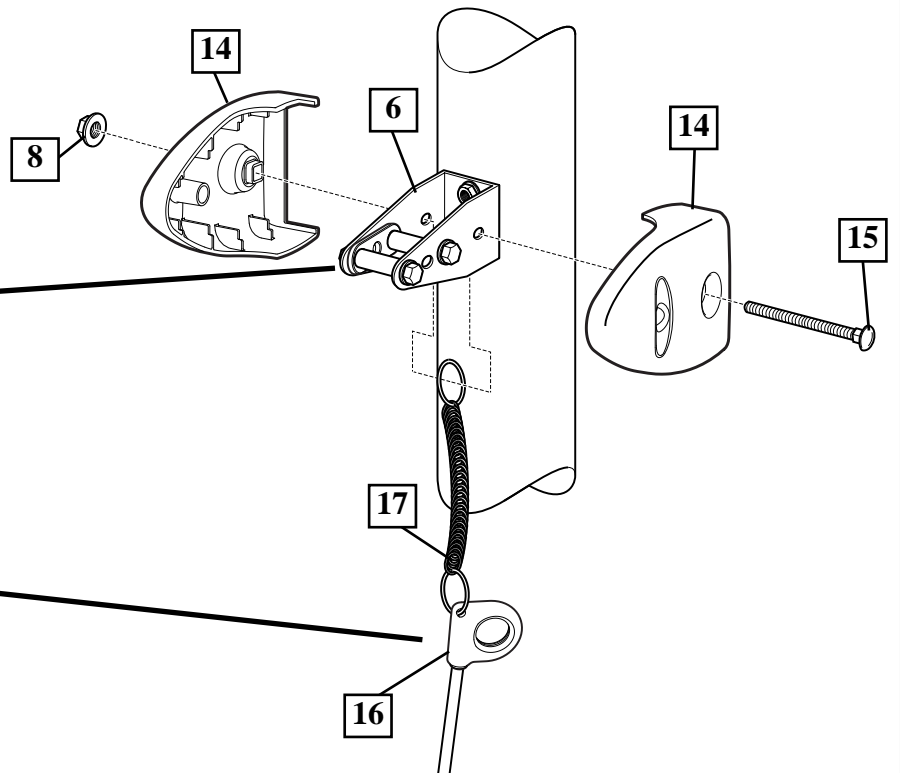
- 12.** Attach spacers (12, 13) to pole mount bracket (6) with bolts (9), washers (10), and nuts (11) as shown.



- 13.** Assemble lanyard (17) to locking pin (16) as shown. Attach covers (14) onto pole mount bracket (6) with carriage bolt (15) and nut (8) as shown.



**DO NOT OVERTIGHTEN**

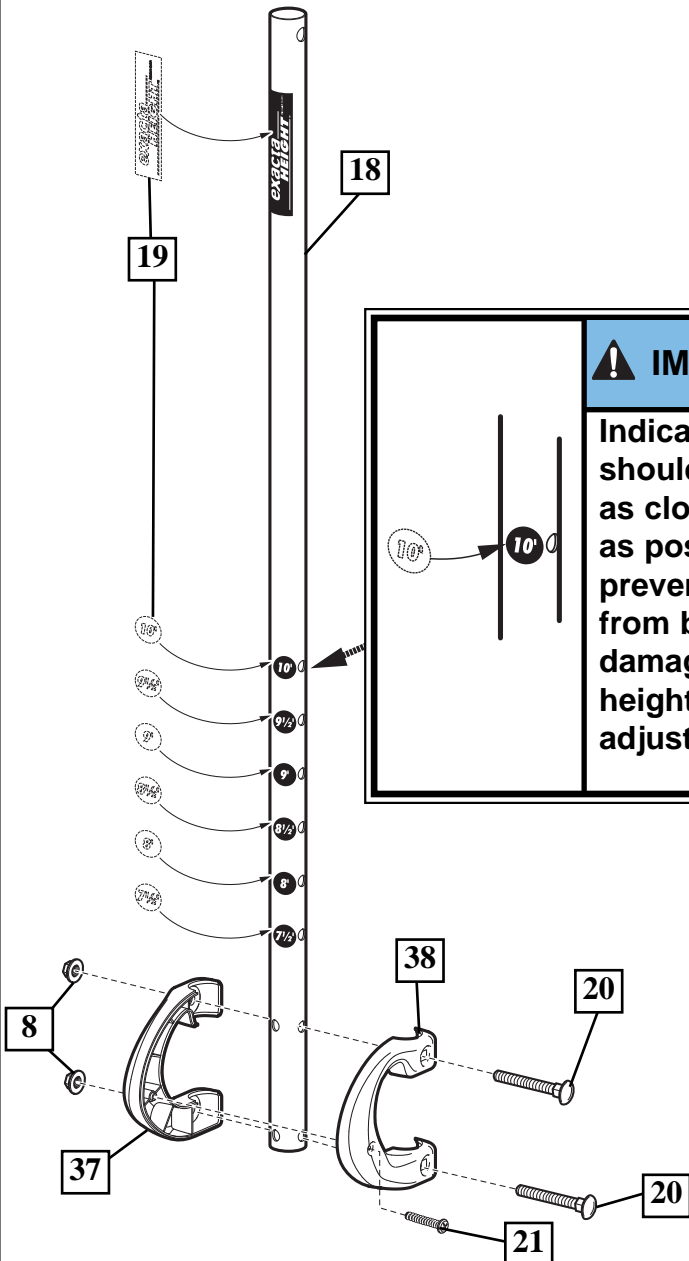
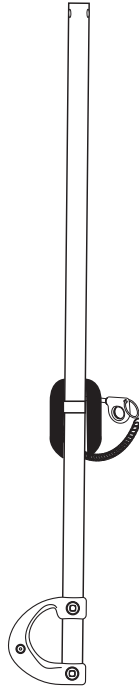


14.

Apply logo and height indicator labels (19) to adjustment rod (18) as shown. Attach handle parts (37, 38) to adjustment rod with screw (21), carriage bolt (20), and flange nut (8) as shown.

**NOTE:** Holes in adjustment rod allow for either rear access or side access.

**SIDE ACCESS**

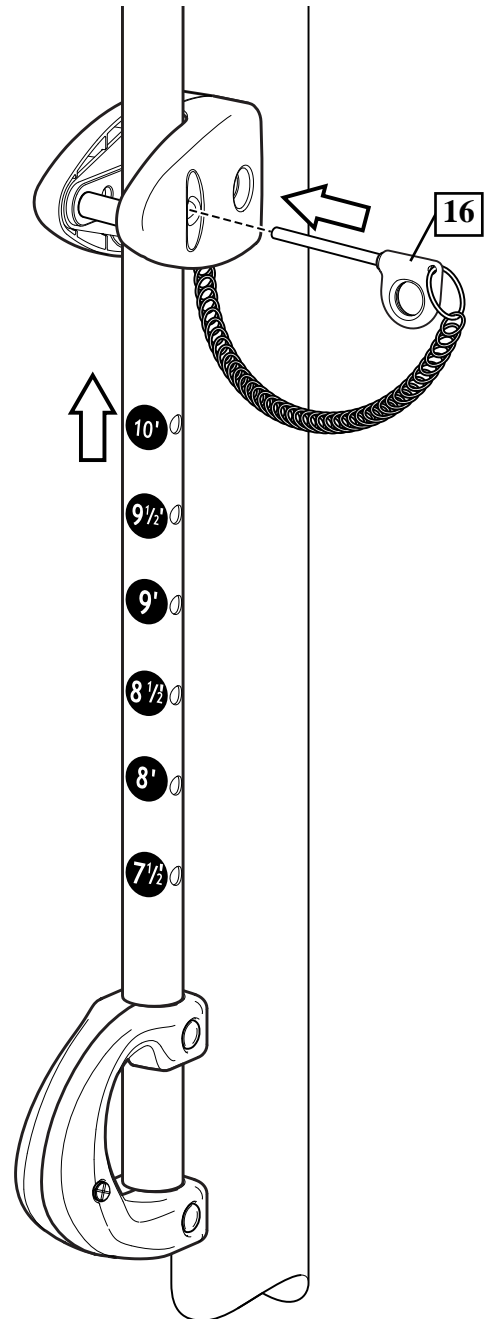


**! IMPORTANT!:**

Indicator labels should be applied as close to holes as possible to prevent labels from being damaged during height adjustment.

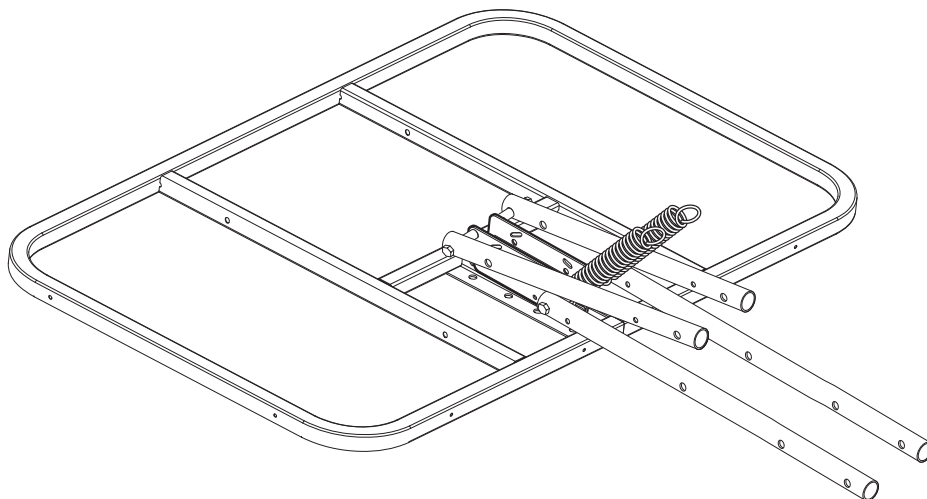
15.

Insert handle assembly through pole mount assembly as shown. Lock pole assembly in place at the 10' (3.05 m) mark with pin (16).



# SECTION B: ASSEMBLE THE ELEVATOR TUBES TO BACKBOARD

This is what your system will look like when you've finished this section.



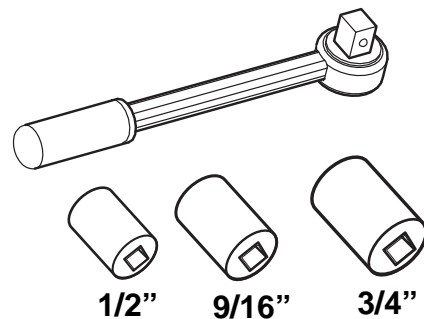
## TOOLS REQUIRED FOR THIS SECTION

(2) Socket Wrenches and Sockets

(2) 1/2", (2) 9/16", and 2 3/4" Wrenches

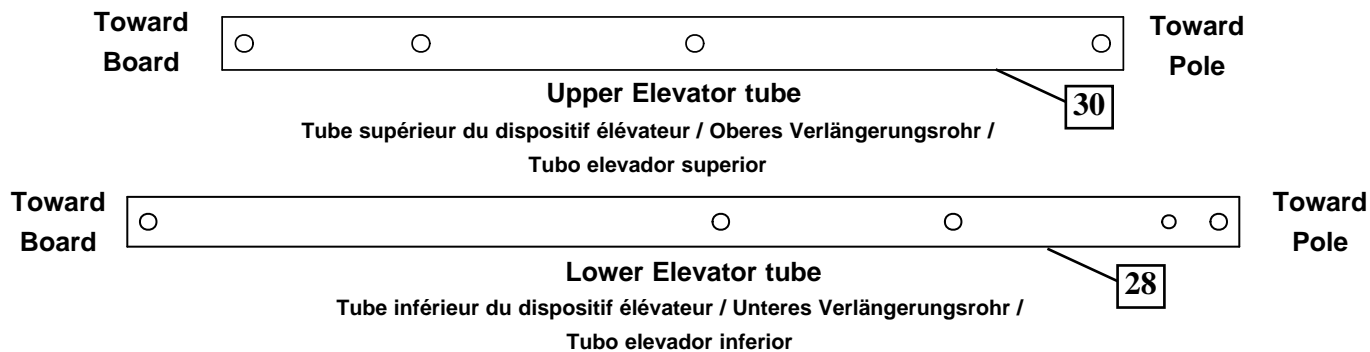


AND/OR

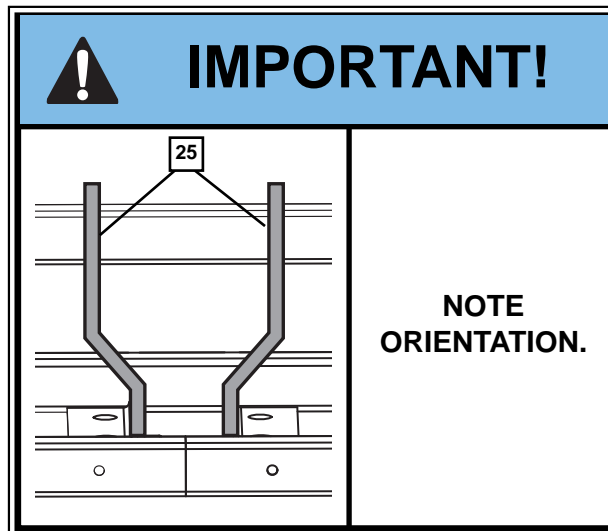
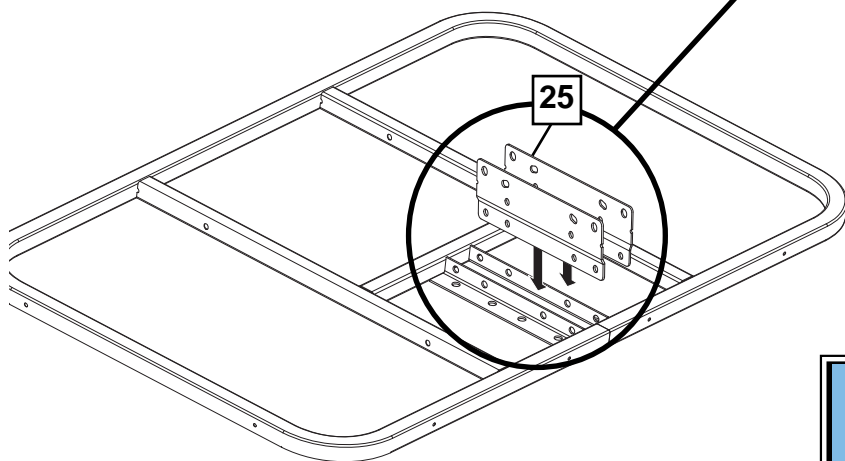
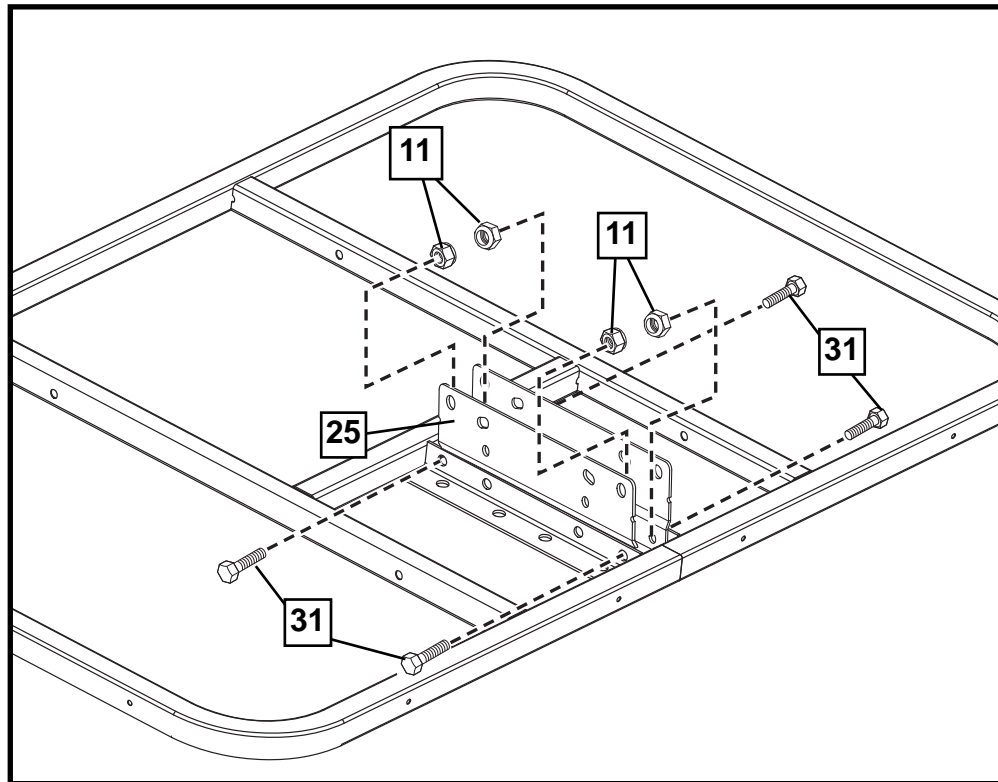
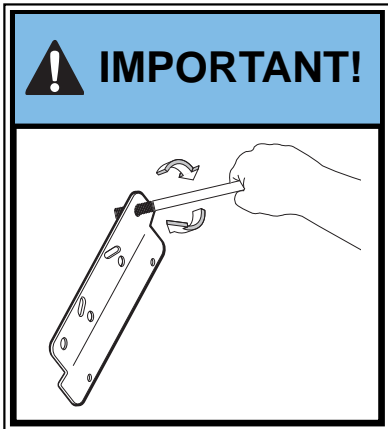


1.

Identify elevator tubes (28 & 30).

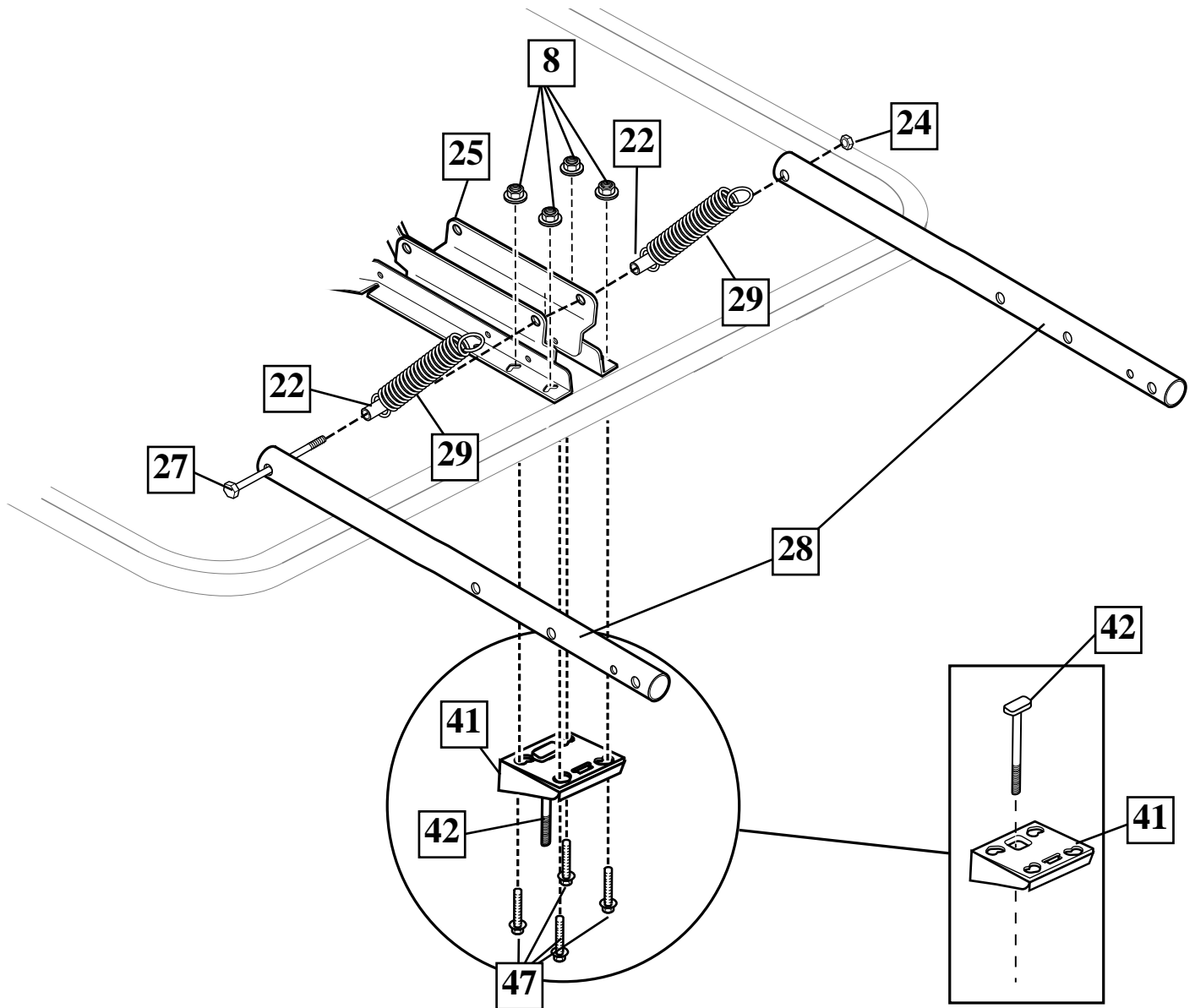


**1.** Attach backboard support brackets (25) to the backboard frame using bolts (31) and nuts (10) as shown.

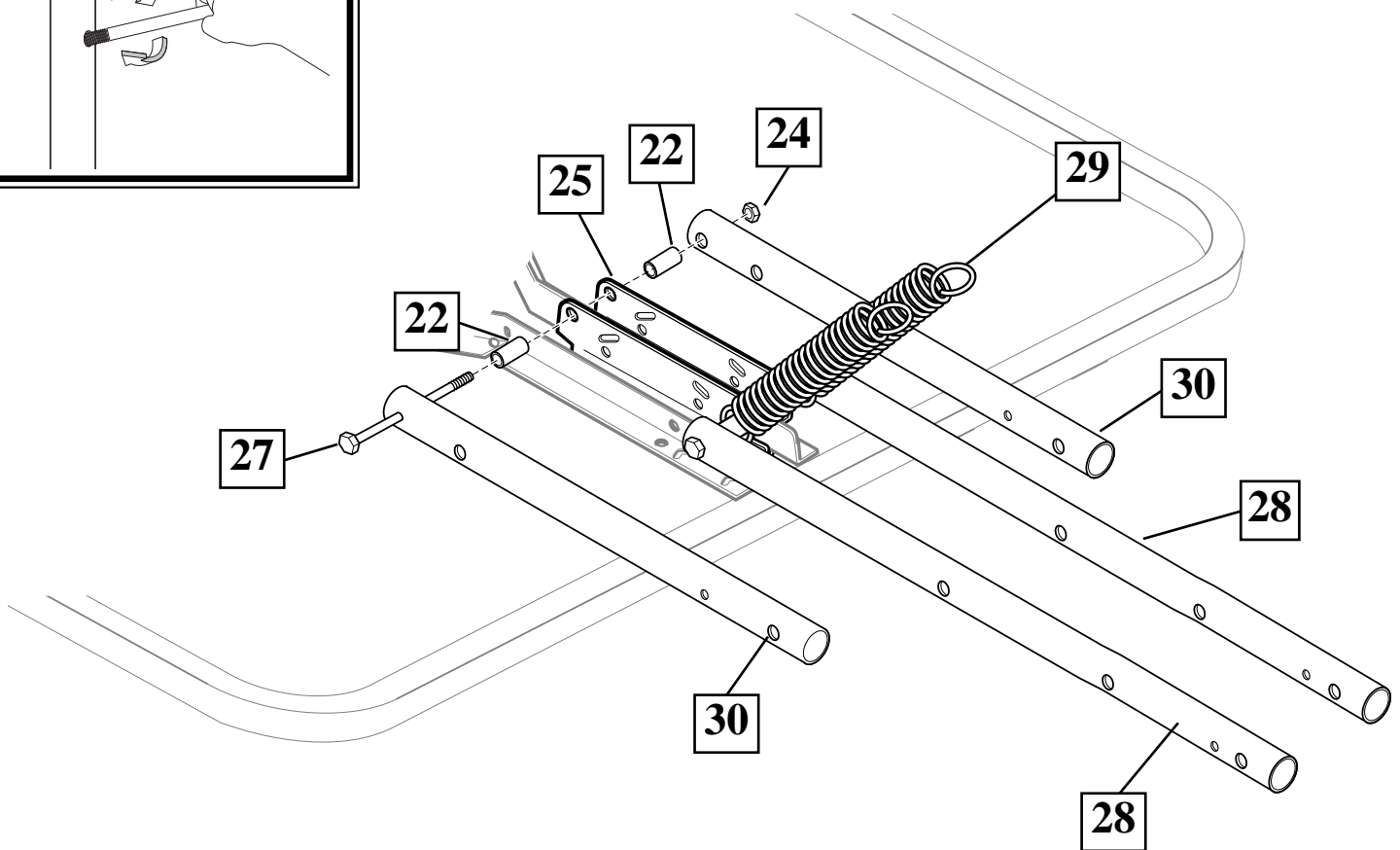
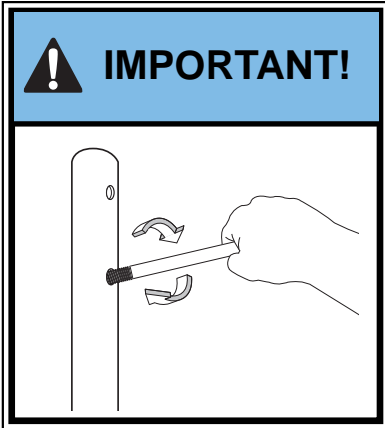


2.

Attach lower elevator tubes (28) and springs (29) to backboard support brackets (25) using spacers (22), bolt (27), and nut (24) as shown. Insert T-bolt (42) into Slam Jam bracket (41) then, attach that assembly to board using bolts (47) and nuts (8).

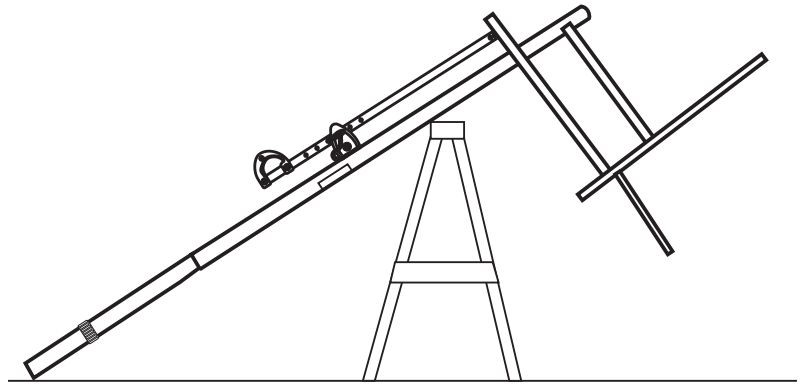


3. Attach upper elevator tubes (30) to backboard support brackets (25) using spacers (22), bolt (27), and nut (24) as shown.

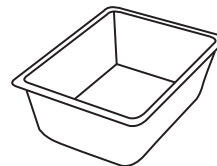
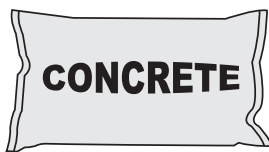


# SECTION C: ATTACH THE BACKBOARD & ELEVATOR ASSEMBLY TO POLE SYSTEM

This is what your system will look like when you've finished this section:



## TOOLS REQUIRED FOR THIS SECTION

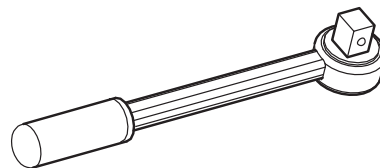


Container to Mix



(2) 3/4" Wrenches

AND/OR



3/4"

(2) Socket Wrenches and Sockets



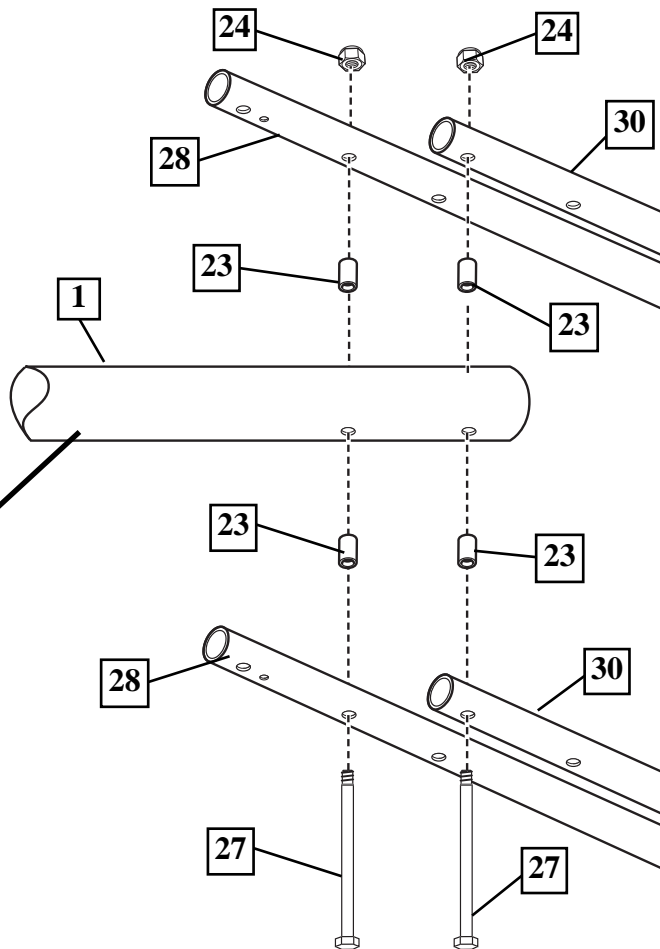
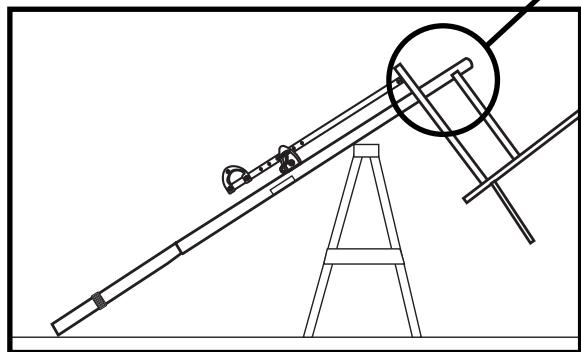
1.

Support pole on sawhorse. Attach backboard assembly to top pole section (1).

**! WARNING!** 

USE CAUTION; ELEVATOR ASSEMBLY IS HEAVY.

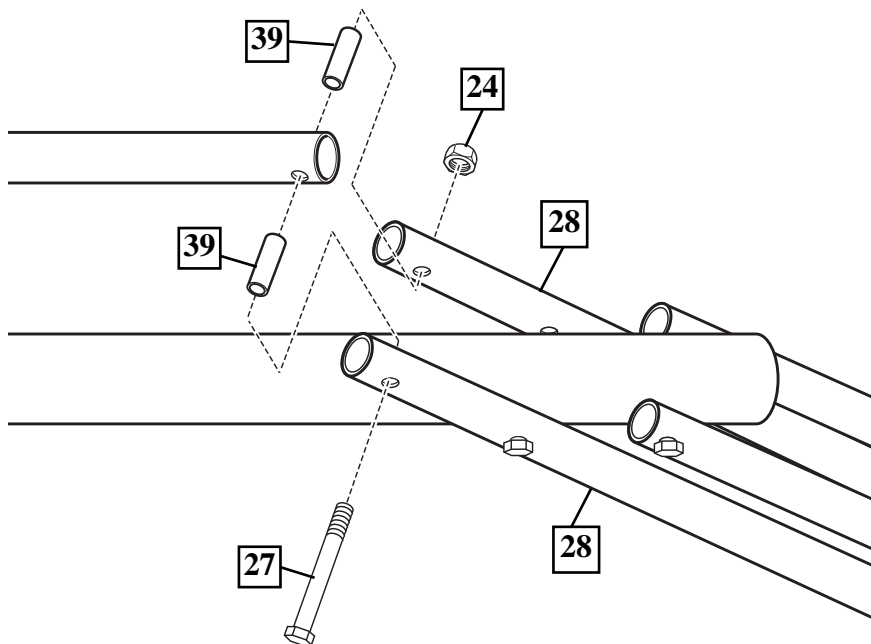
TWO PEOPLE REQUIRED FOR THIS PROCEDURE. FAILURE TO FOLLOW THIS WARNING COULD RESULT IN SERIOUS INJURY AND/OR PROPERTY DAMAGE.



2.

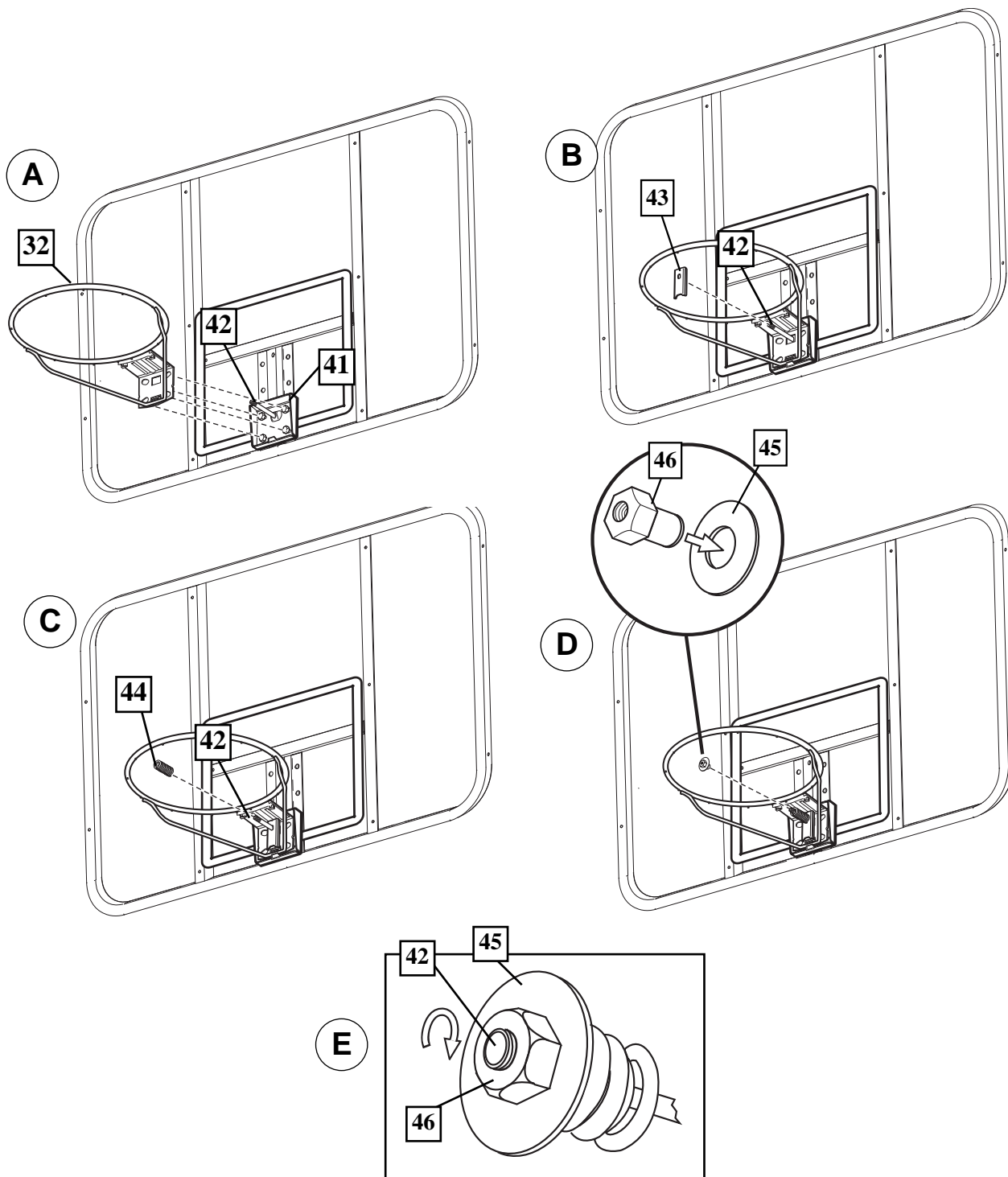
Install handle assembly to long elevator tubes (28) using bolt (27), spacers (39), and nut (24) as shown.

**NOTE:** Before going on to next step, adjust system assembly to the 10' setting.




**3.****Install Slam Jam Rim to Backboard**

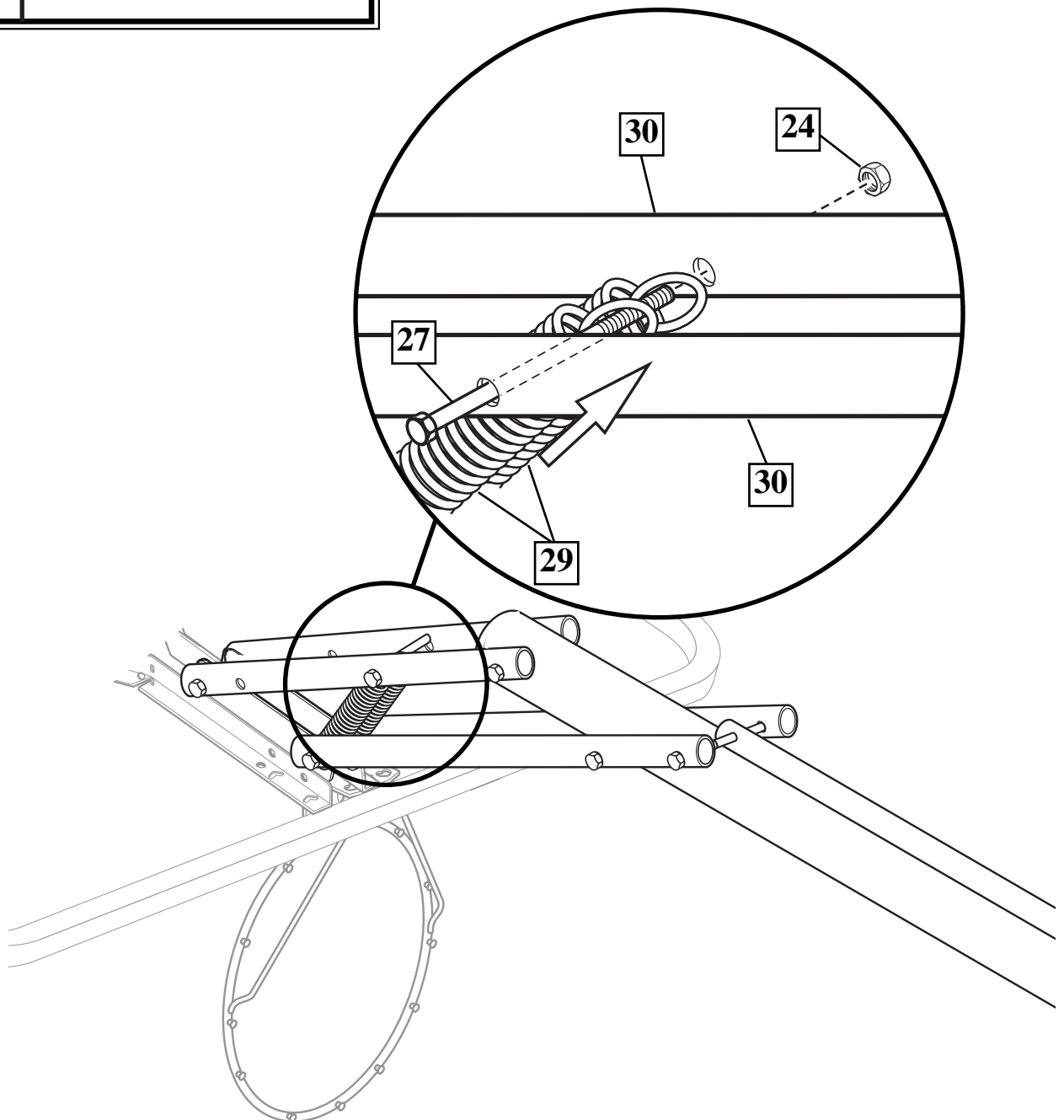
- A • Fit rim (32) securely into bracket (41) as shown (Allow "T"-bolt (42) to slip through center hole in rim (32)).
- B • Install reinforcement bracket (43) onto "T" bolt (42) as shown.
- C • Install spring (44) onto "T" bolt (42) as shown.
- D • Install special nut (46) and washer (45) onto "T" bolt (42).
- E • Tighten nut (46) until flush with end of "T" bolt (42).



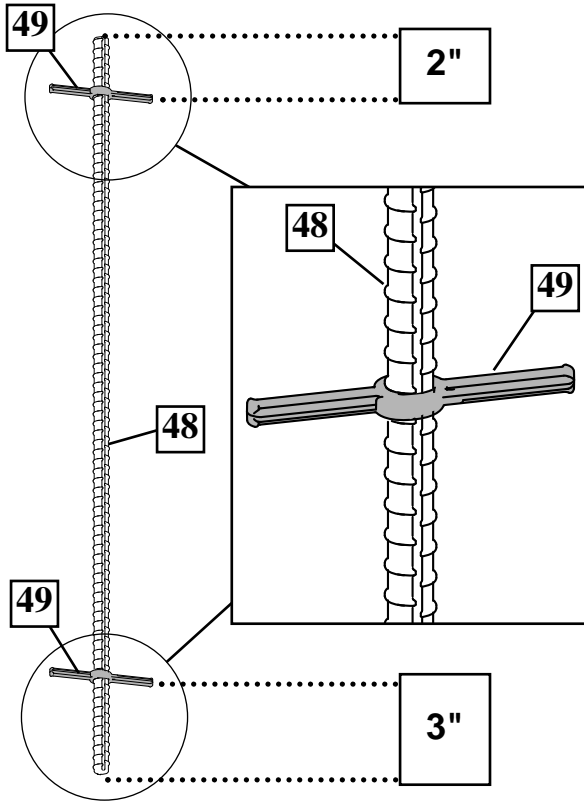
5.

Insert bolt (27) through left side short elevator tube (30), then stretch spring or springs (29) onto bolt (27). Insert bolt (27) through right side short elevator tube (30) and secure with nut (24).

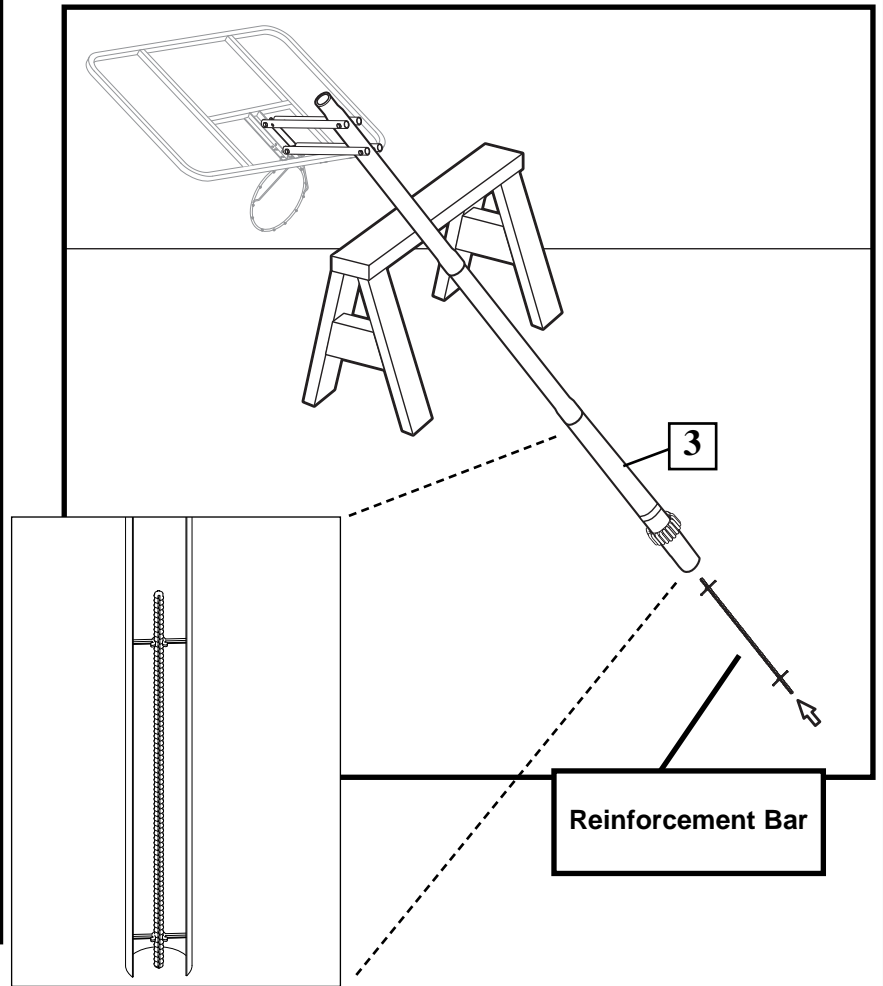
	<b>! WARNING!</b>
	<b>USE EYE PROTECTION WHEN INSTALLING SPRINGS.</b>



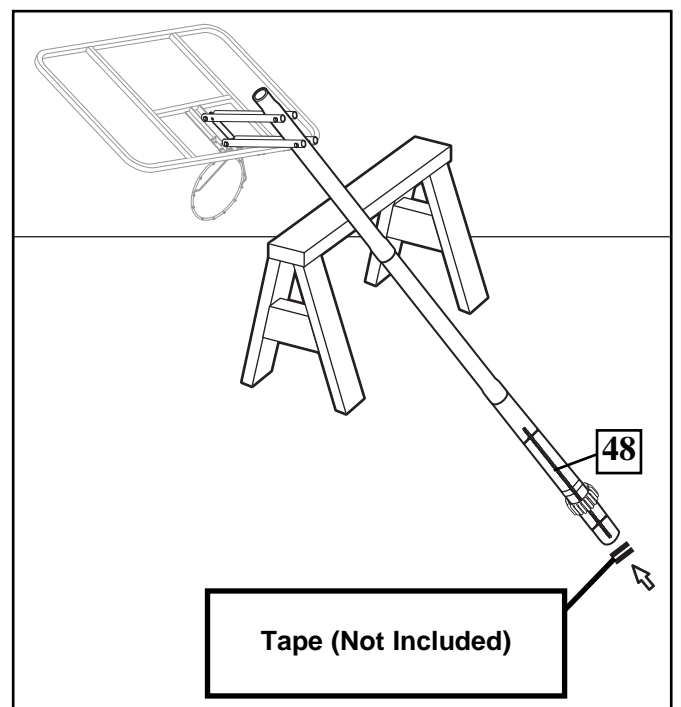
- 6.** Assemble rebar centering spacers (49) near top and bottom of rebar (48) as shown.



- 7.** Place rebar with spacers into bottom pole section (3) as shown.

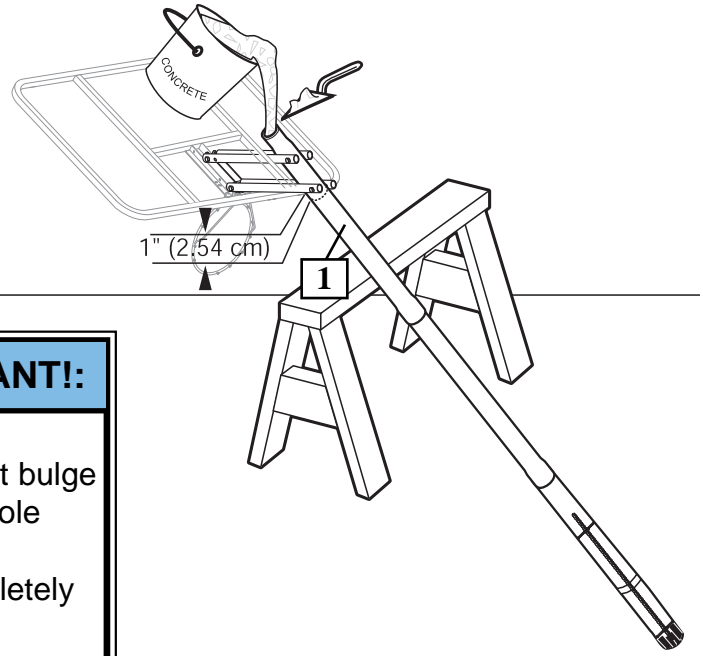


- 8.** Seal hole at the bottom of the bottom pole with heavy-duty tape (not included) to retain rebar and concrete inside.



9.

Fill pole with concrete approximately 1" (2.54 cm) below bottom elevator hole as shown.

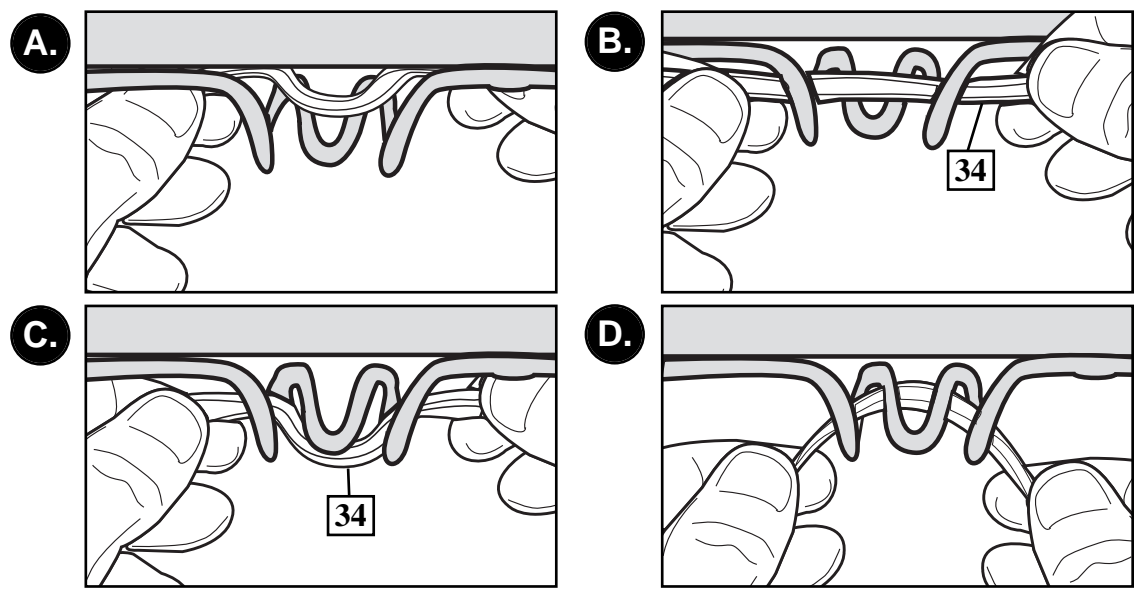


**! IMPORTANT!:**  
**FAILURE TO FILL YOUR POLE COMPLETELY WITH CONCRETE AS DESCRIBED IN THESE INSTRUCTIONS WILL VOID ALL WARRANTIES WRITTEN AND IMPLIED.**

**! IMPORTANT!:**  
 Make sure that concrete does not bulge from the end of pole assembly. Allow concrete to completely cure.

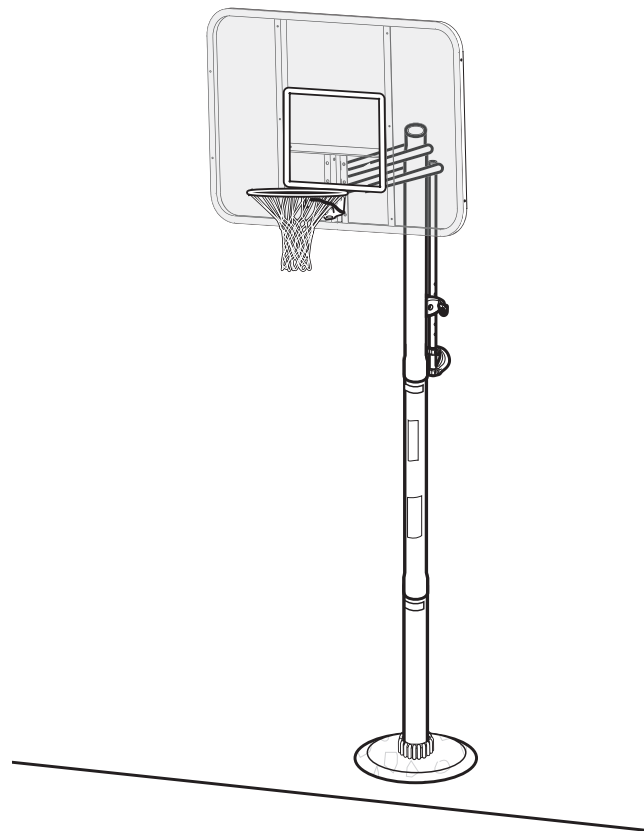
**IMPORTANT!:**  
**WAIT A MINIMUM OF 24 HOURS BEFORE GOING ON TO NEXT STEP. CONCRETE MUST CURE.**

10. Install net (34).



## SECTION D: UPRIGHT, SECURE AND USE POLE SYSTEM

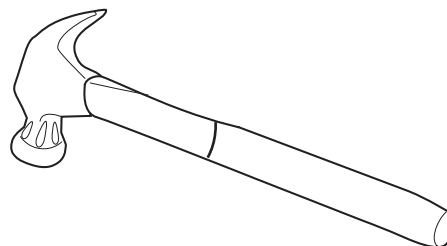
This is what your system will look like when you've finished this section.



### TOOLS REQUIRED FOR THIS SECTION

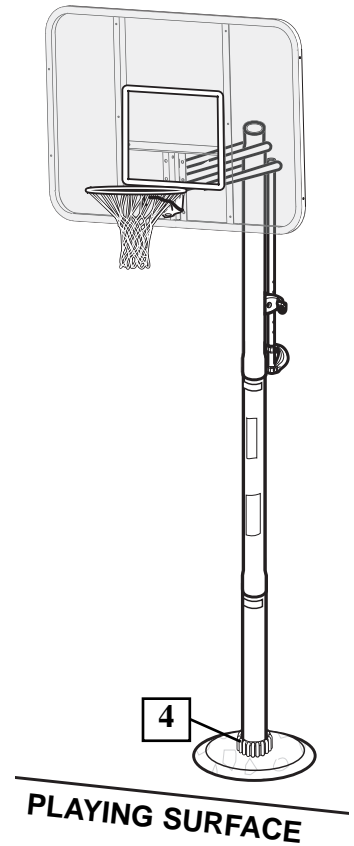
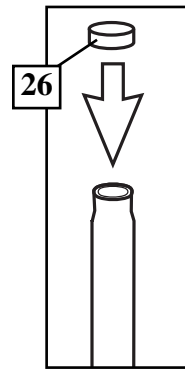
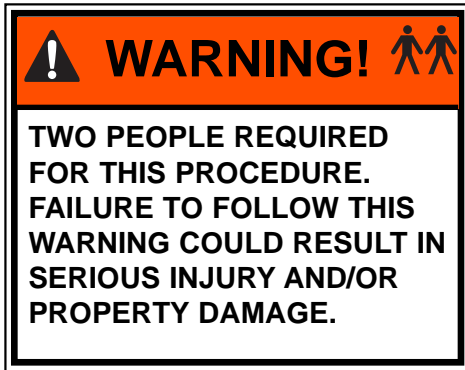


**Wedge**



**Hammer**

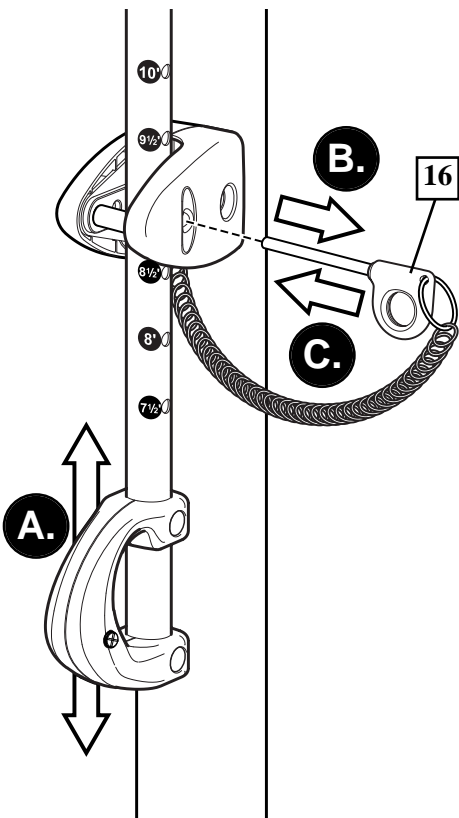
1. After concrete has cured, remove tape, install pole cap (26), fit pole assembly into sleeve (4).



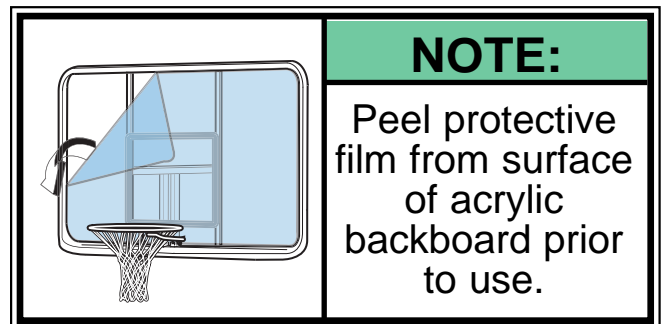
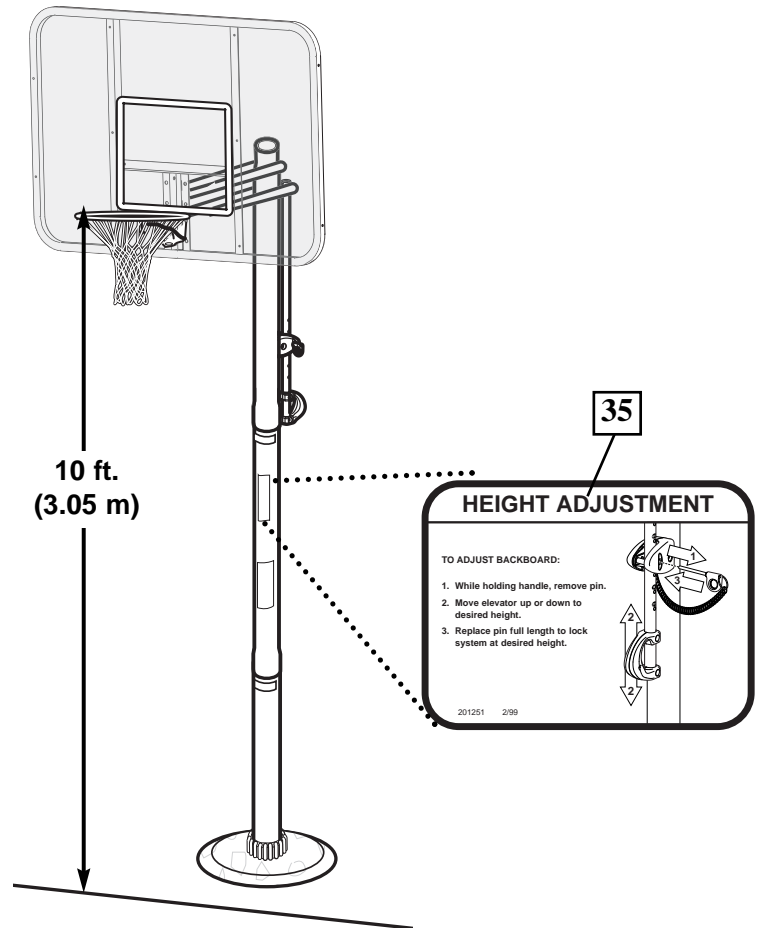
2. Use wedge to tap cap of ground sleeve until tight.



- 3.** A. While holding handle, remove pin (16).  
 B. Move elevator up or down to desired height.  
 C. Replace pin (16) full length to lock system at desired height.



- 4.** Apply height adjustment label (35) to front of pole as shown.  
 Regulation rim height is 10 feet (3.05 m).





## Free Manuals Download Website

<http://myh66.com>

<http://usermanuals.us>

<http://www.somanuals.com>

<http://www.4manuals.cc>

<http://www.manual-lib.com>

<http://www.404manual.com>

<http://www.luxmanual.com>

<http://aubethermostatmanual.com>

Golf course search by state

<http://golfingnear.com>

Email search by domain

<http://emailbydomain.com>

Auto manuals search

<http://auto.somanuals.com>

TV manuals search

<http://tv.somanuals.com>