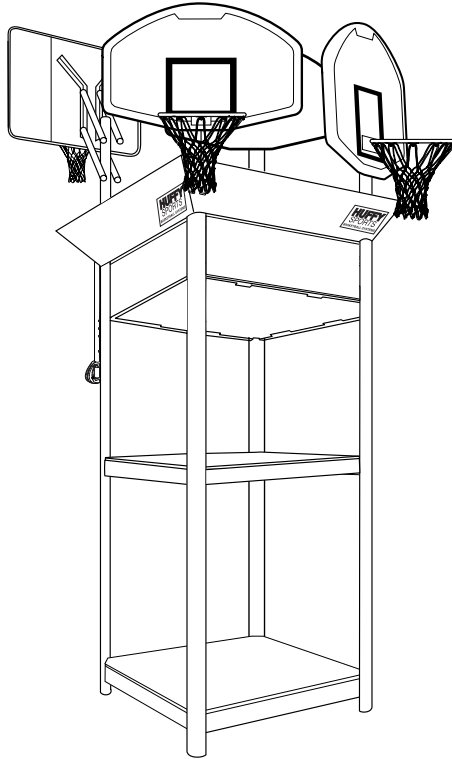


# Display System Owners Manual

Customer Service Center  
• N53 W24700 South Corporate Circle • Sussex, WI 53089 • U.S.A.



**Model  
89226**

## REQUIRED TOOLS AND MATERIALS:



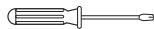
**WARNING!**  
READ AND UNDERSTAND  
OPERATOR'S MANUAL  
BEFORE USING THIS UNIT.  
  
FAILURE TO FOLLOW  
OPERATING INSTRUCTIONS  
COULD RESULT IN INJURY  
OR DAMAGE TO PROPERTY.



• 2 Capable Adults

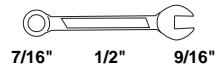


• 2 Stepladders



• Phillips Screwdriver

• (2 each) Wrenches and/or  
Socket Wrenches and  
Sockets.



AND/OR



## IMPORTANT!

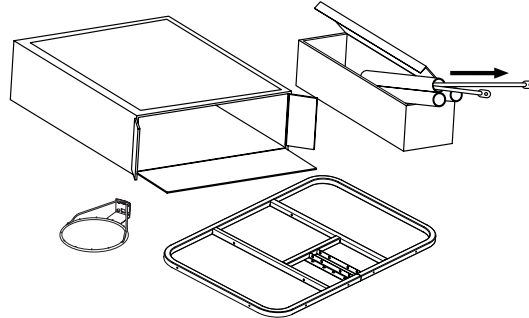
To ensure prompt and correct handling of any problems, or to answer any questions, please contact the Sample and Display Technician at 1-800-558-5234.

## NOTICE TO ASSEMBLERS

ALL basketball systems, including those used for DISPLAYS, MUST be assembled and ballasted with sand or water according to instructions. Failure to follow instructions could result in SERIOUS INJURY. It is NOT acceptable to devise a makeshift weight system.

### IMPORTANT!

Remove all contents from boxes.  
Be sure to check inside pole sections;  
hardware and additional parts are packed inside.



## ! SAFETY INSTRUCTIONS !

FAILURE TO FOLLOW THESE SAFETY INSTRUCTIONS MAY  
RESULT IN SERIOUS INJURY,  
PROPERTY DAMAGE AND WILL VOID WARRANTY.

*This unit is intended for display purposes only and  
should not be used for play.*

To ensure safety, do not attempt to assemble this system without following the instructions carefully. Check entire box and inside all packing material for parts. Before beginning assembly, read the instructions and identify parts in this document. Proper and complete assembly, use and supervision is essential for proper operation and to reduce the risk of accident or injury. A high probability of serious injury exists if this system is not installed, maintained, and operated properly.

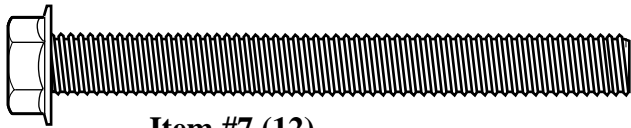
- During assembly, if using a ladder use extreme caution. Two capable adults are recommended for this operation.
- If technical assistance is required, contact the Sample and Display Technician.
- Serious injury could occur if teeth/face come in contact with backboard, net or rim.
- Display recommended for 3" (7.6 cm) or 3-1/2" (9 cm) Round or 4" (10 cm) Square poles only.
- All instructions and warnings MUST accompany any display item that is sold.

*Most injuries are caused by misuse and/or not following  
instructions. Use caution when installing this unit.*

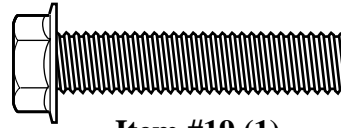
## PARTS LIST (See Hardware Identifier)

<u>Item</u>	<u>Qty.</u>	<u>Part No.</u>	<u>Description</u>	<u>Item</u>	<u>Qty.</u>	<u>Part No.</u>	<u>Description</u>
1	2	200318	Bracket, Reinforcement S/J	17	2	203795	Nut, 3/8-16 Special S/J
2	1	200503	P/S Cover	18	2	203796	T-bolt, 3/8-16 x 5"
3	2	200520	Screw, #8 x 3/4", Flat Head, Phillips	19	1	203798	Bolt, Hex 5/16-18 x 1.5"
4	2	200533	Spacer, Mounting	20	4	204290	Net
5	3	990062	Pole, 3.5"	21	1	206219	Pole Cap, 3"
6	3	201344	Plastic Knob	22	3	207103	Pole Cap, 3.5"
7	12	201611	Bolt, Hex-Flange, 5/16-18 x 3"	23	2	900033	Bracket, S/J
8	1	202795	NBA Sticker	24	1	900060	Pole, 3"
9	12	203063	Lock Nut, 3/8-16 Nylon Insert	25	4		Rim
10	1	203157	Bolt, Carriage, 5/16-18 x 2.25"	26	1	900253	Bracket, Pole Mount, No Tools
11	12	203100	Nut, Hex-Flange 5/16-18 Whiz Lock	27	1	206987	Wedge
12	2	203231	Bolt, Carriage, 5/16-18 x 3.5"	28	1	909256FR	Board, 48", Fan, Viper
13	6	203294	Bolt, U, Round, 3/8-16 x 3.5"	29	1	90925901	Board, 44", Fan, Evolution, NT
14	4	203309	Washer	30	1	909602FR	Board, 44", Fan, Zone Attack
15	2	203470	Washer, Flat, S/J	31	3	912006	Extension Arm
16	2	203472	Spring	32	1	979235FR	Board, 48", SFA, Titanium II
				33	1	902319	Bracket, Reinforcement, No Tools

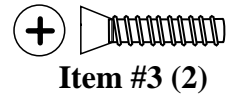
### HARDWARE IDENTIFIER (Bolts and Screws)



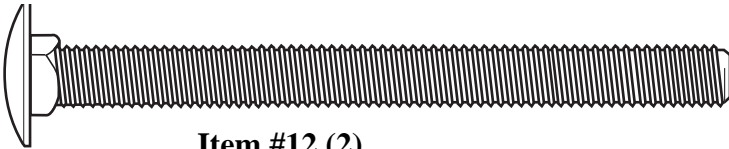
**Item #7 (12)**



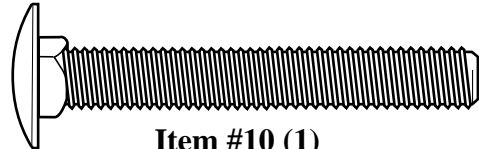
**Item #19 (1)**



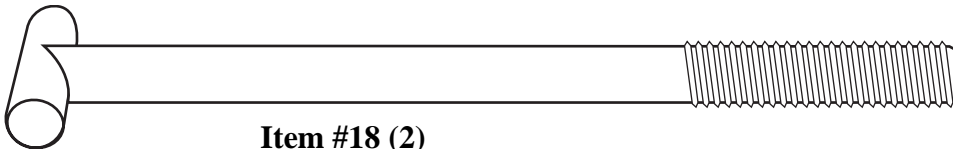
**Item #3 (2)**



**Item #12 (2)**

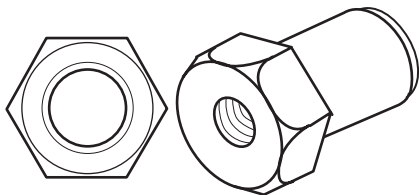


**Item #10 (1)**

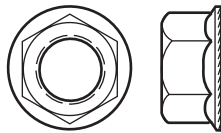


**Item #18 (2)**

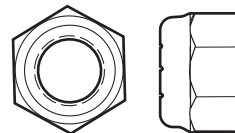
### HARDWARE IDENTIFIER (Nuts, Washers & Springs)



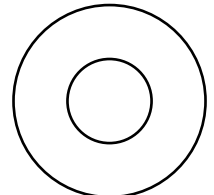
**Item #17 (2)**



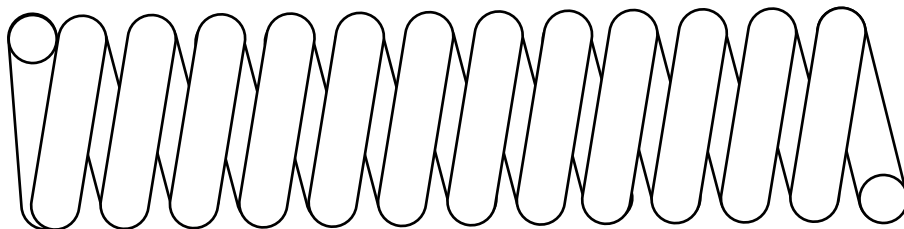
**Item #11 (12)**



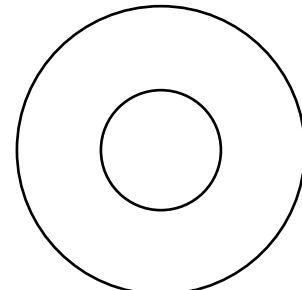
**Item #9 (12)**



**Item #14 (4)**

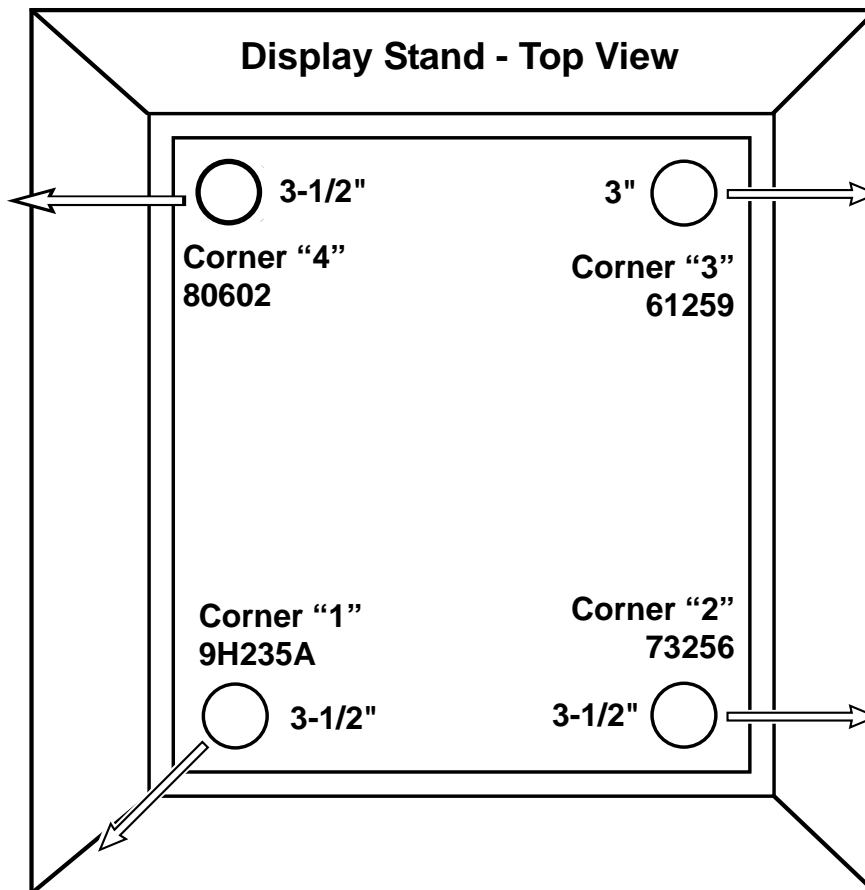


**Item #16 (2)**



**Item #15 (2)**

Install display boards in the marked locations. Each mounting location consists of a mounting pole stub with the following dimensions: Height = 8", O.D. = 3 3/8", I.D. = 3 1/8" (arrows indicate direction the board is facing).



Display boards will be mounted as follows:

**Corner Location 1: 9H235A**

- 48" SFA Board
- Titanium II Logo
- Black Slam Jam Goal with Cover
- Use extension arm for assembly

**Corner Location 2: 73256**

- 48" Fan Recycled Board
- Viper Logo
- Black Slam Jam Goal
- Use extension arm for assembly

**Corner Location 3: 61259**

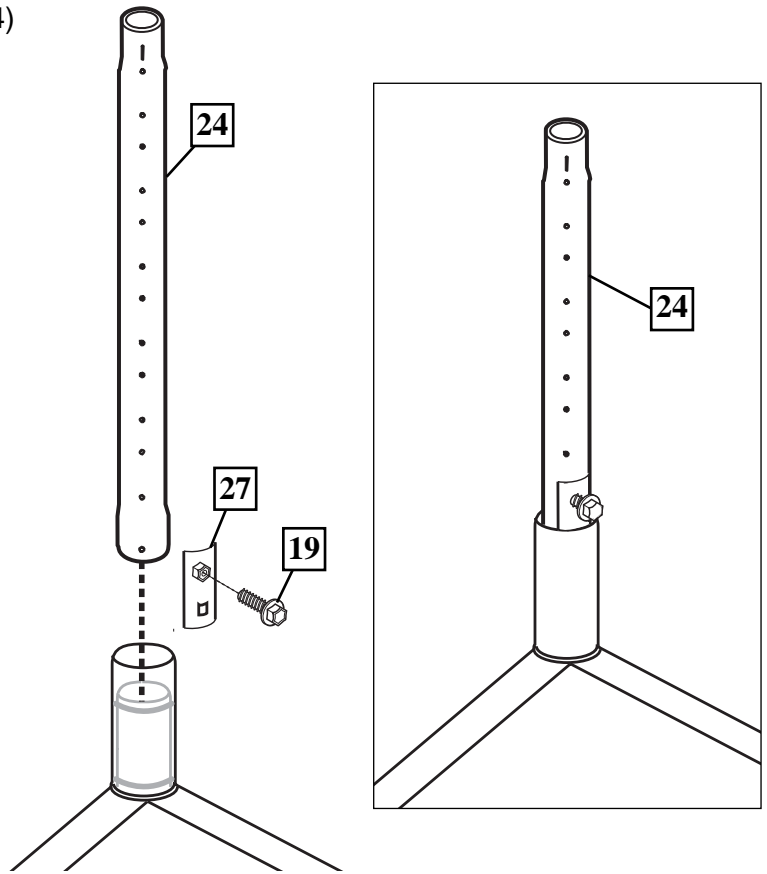
- 44" Fan Recycled Board
- Evolution Logo
- Black Standard Goal
- No Tools, E3 Elevator System

**Corner Location 4: 80602**

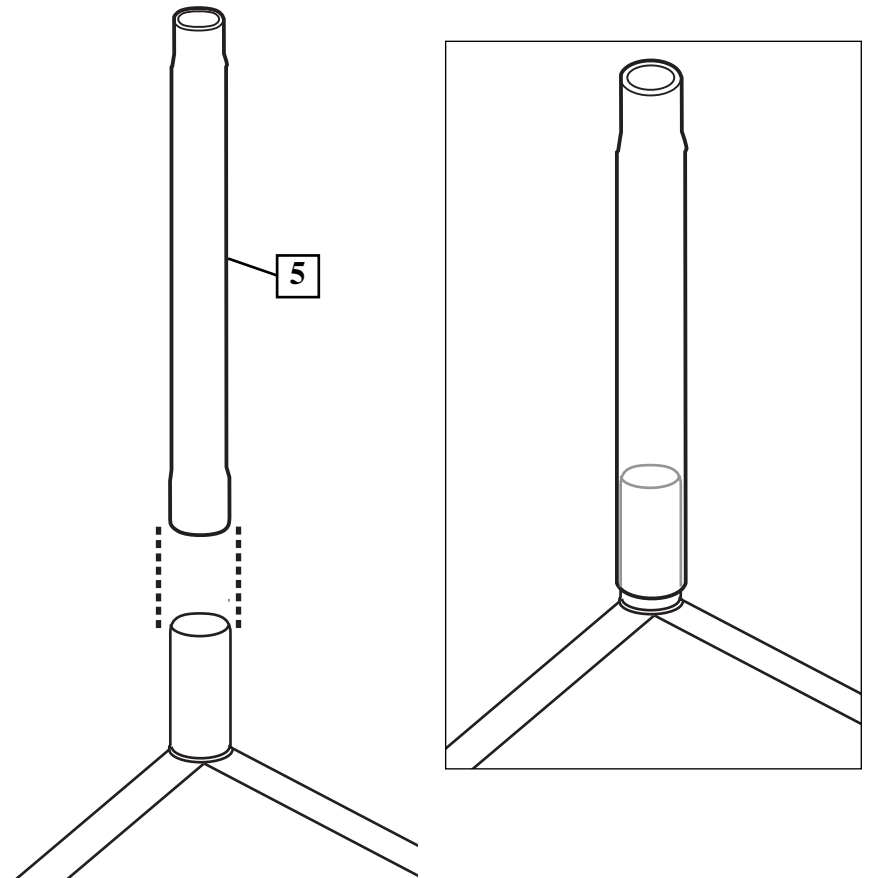
- 44" Fan Recycled Board
- Zone Attack Logo
- Black Standard Goal
- Use extension arm for assembly

- 1.** Slide the 3" diameter end of the display pole (24) inside the pole sleeve.

Secure the display pole by sliding the display wedge (27) into position as shown. To lock the display pole in place, tighten the hex-bolt (19).

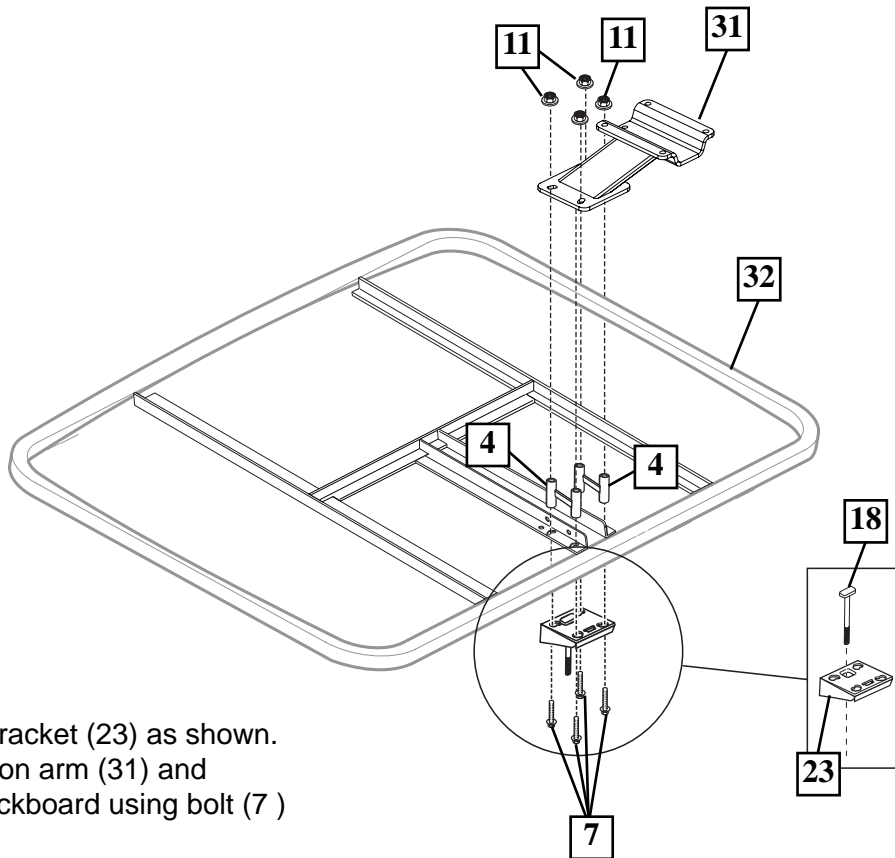
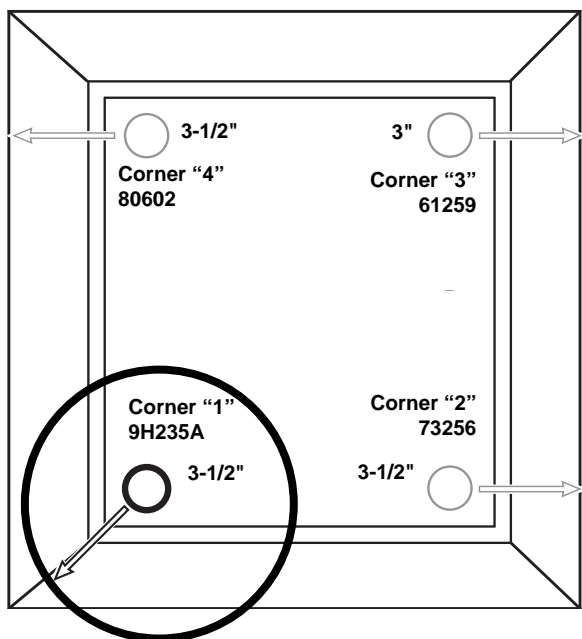


- 2.** At corner location 1, 2 and 4 slide the 3-1/2" diameter end of the display pole (5) outside the mounting stubs.



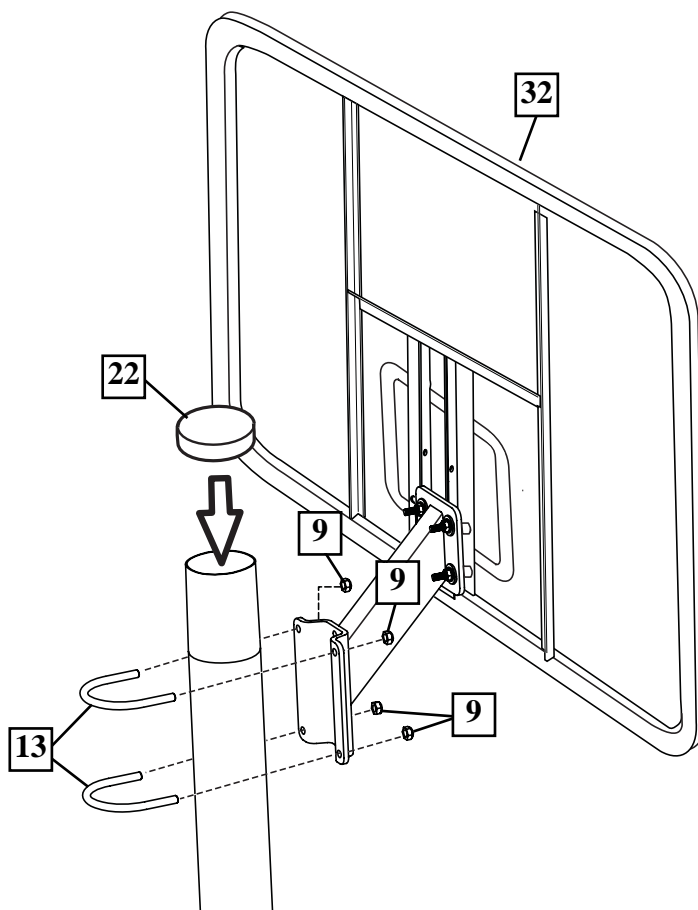
# Corner Location 1: STEEL FRAME ACRYLIC BACKBOARD ASSEMBLY

## Display Stand - Top View

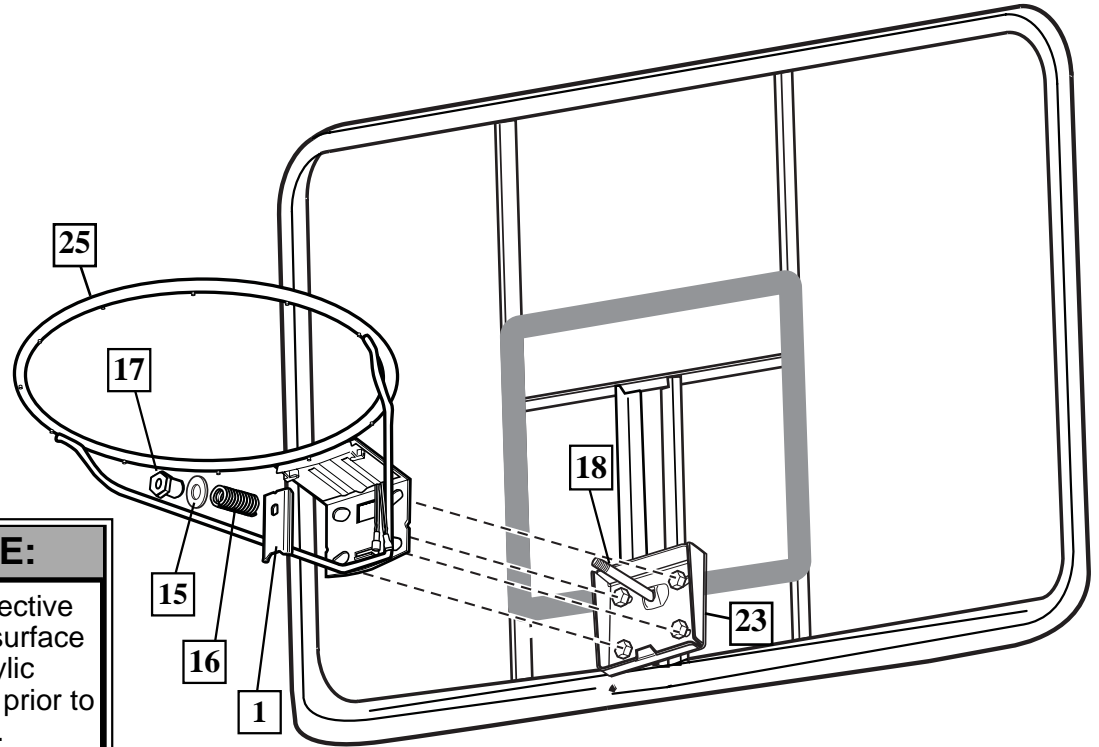
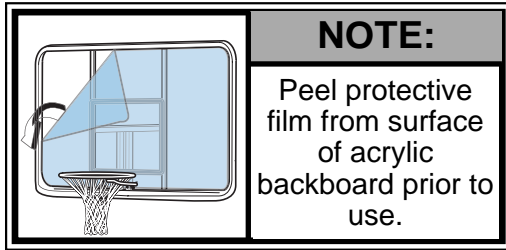
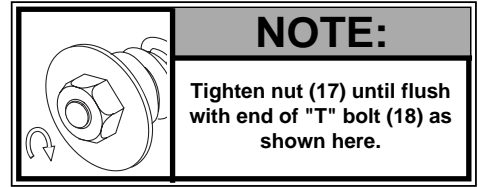


1. Insert "T" bolt (18) through Slam Jam bracket (23) as shown. Secure Slam Jam bracket (23), extension arm (31) and mounting spacers (4) assemblies to backboard using bolt (7) and nut (11) as shown.

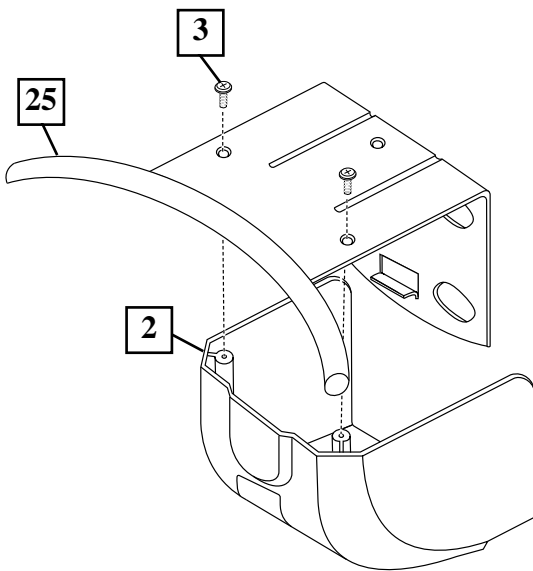
2. Attach board assembly to pole.



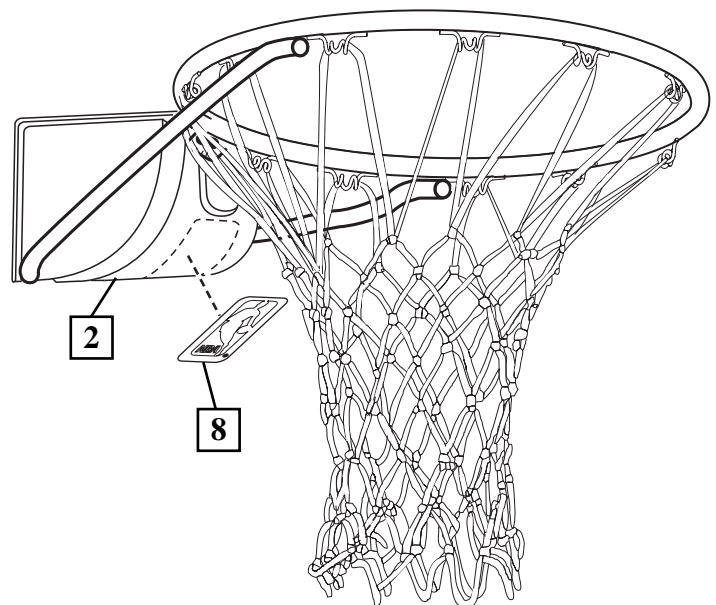
- 3.**
- Fit rim (25) securely into bracket (23) as shown.
  - Install reinforcement bracket (1) onto "T" bolt (18) as shown.
  - Install spring (16) onto "T" bolt (18) as shown.
  - Install special nut (17) and washer (15) onto "T" bolt (18).



- 4.** Attach cover (2) to rim using screws (3).

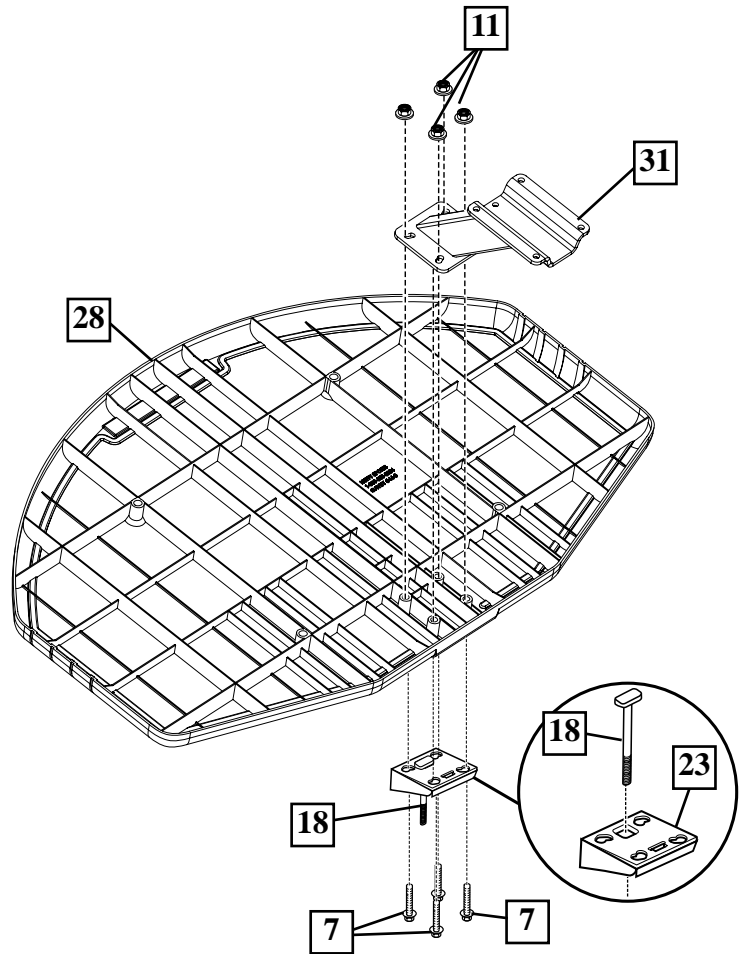
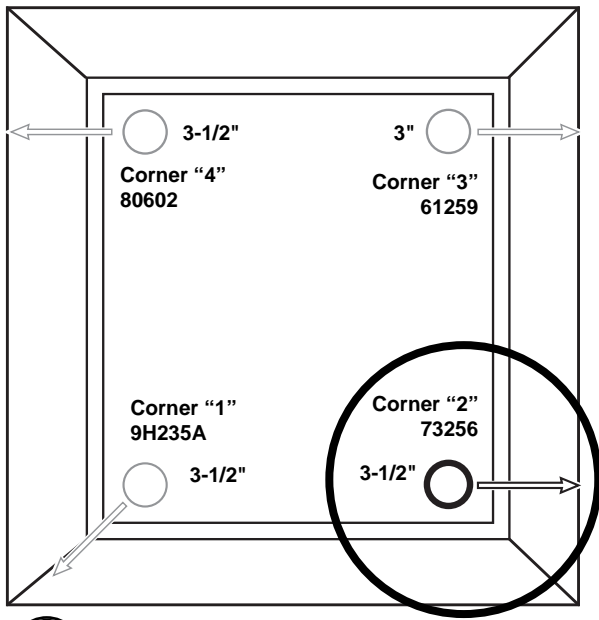


- 5.** Apply logo label (8) to rim cover (2).



# Corner Location 2: 48" FAN MOLDED PLASTIC BOARD ASSEMBLY

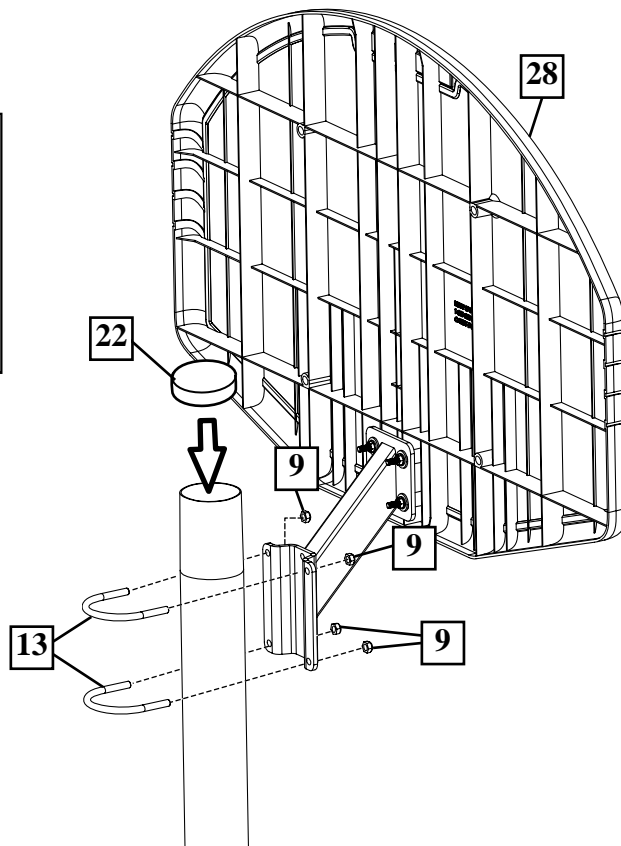
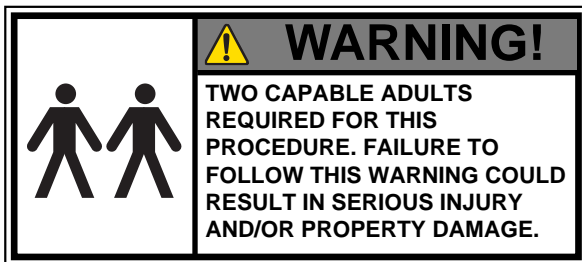
## Display Stand - Top View



1. Insert "T" bolt (18) through Slam Jam bracket (23) as shown. Secure Slam Jam bracket (23) and extension arm (31) to backboard using bolt (7) and nut (11) as shown.

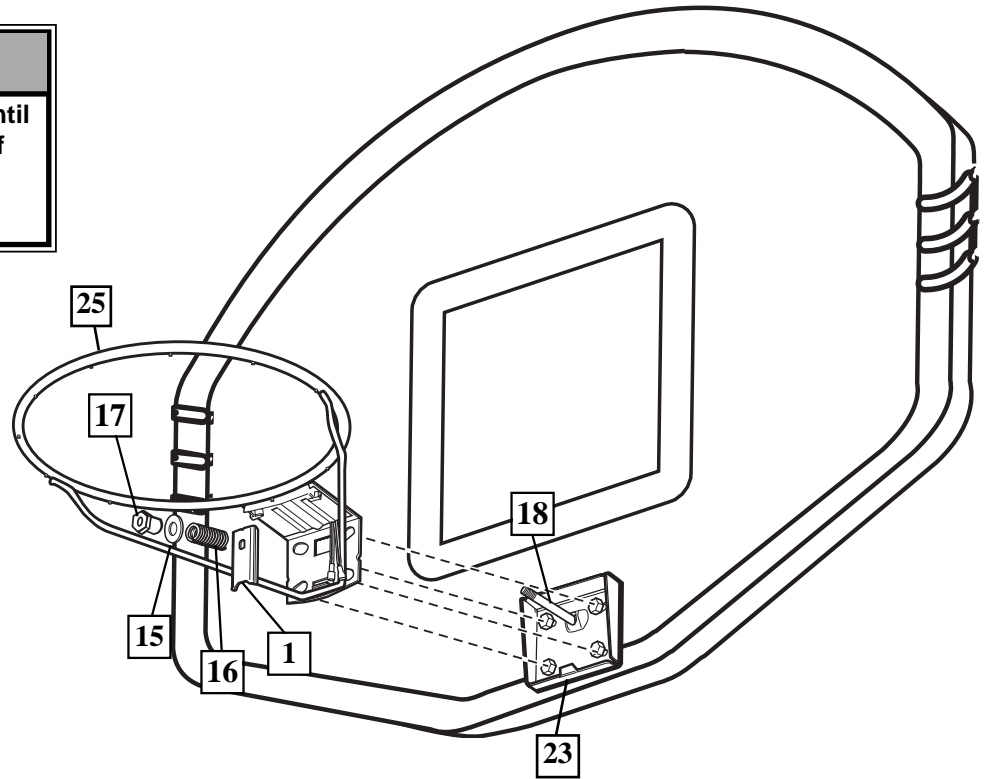
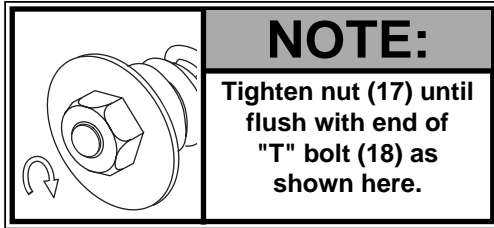
Tighten completely.

2. Attach board assembly to pole.



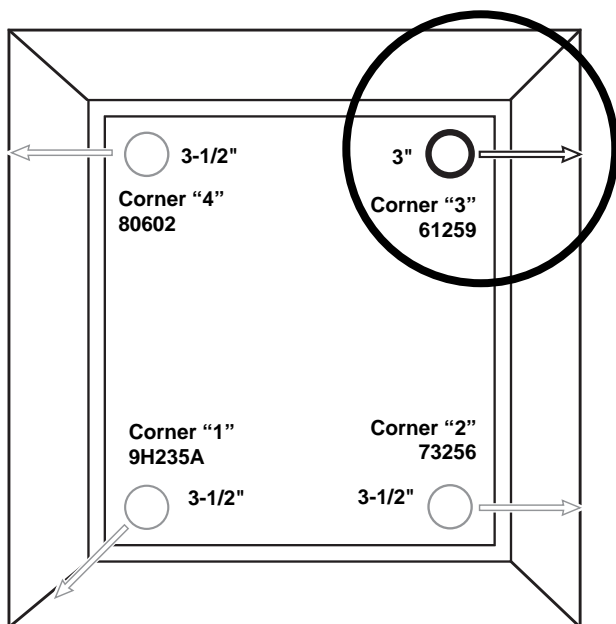


- 3.**
- Fit rim (25) securely into bracket (23) as shown.
  - Install reinforcement bracket (1) onto "T" bolt (18) as shown.
  - Install spring (16) onto "T" bolt (18) as shown.
  - Install special nut (17) and washer (15) onto "T" bolt (18).

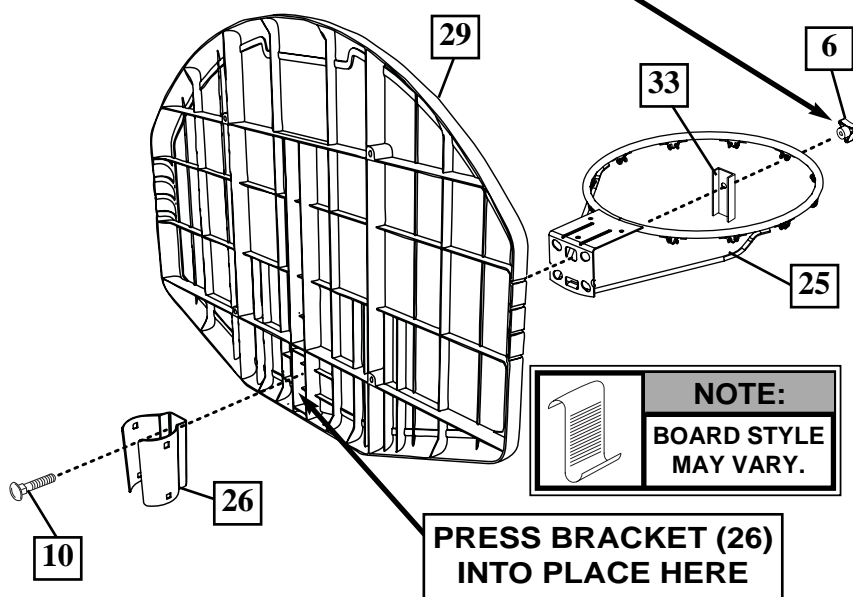
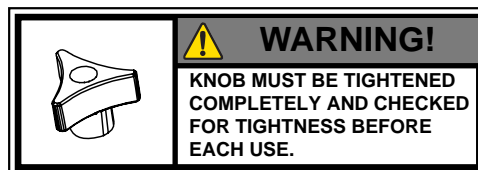


# Corner Location 3: 44" FAN MOLDED PLASTIC BOARD ASSEMBLY

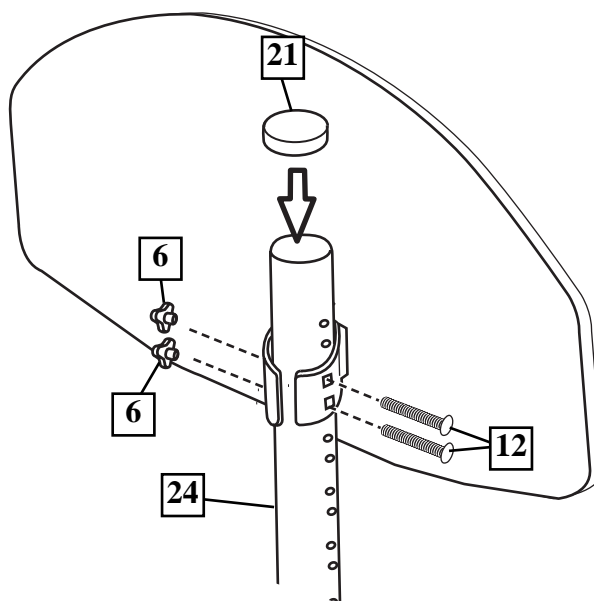
## Display Stand - Top View



- 1.** Pole bracket will need to be lightly pressed into backboard ribbing. Be sure to press completely into place. Attach rim (25) to backboard and pole bracket (26) with knob (6), reinforcement bracket (1), and carriage bolt (10) as shown. Tighten knob completely.

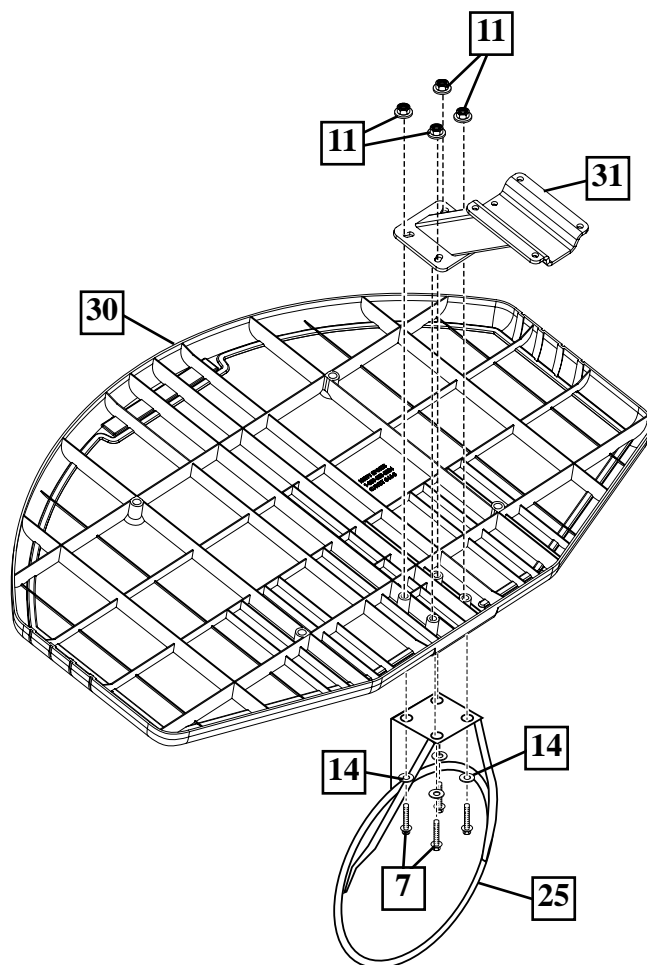
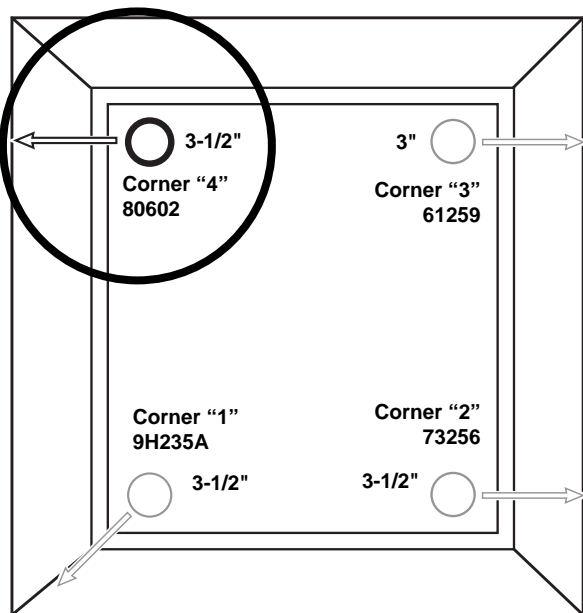


- 2.** Attach board assembly to pole with carriage bolts (12) and knobs (6) as shown. Install pole cap (21) as shown.



# Corner Location 4: 44" FAN MOLDED PLASTIC BOARD ASSEMBLY

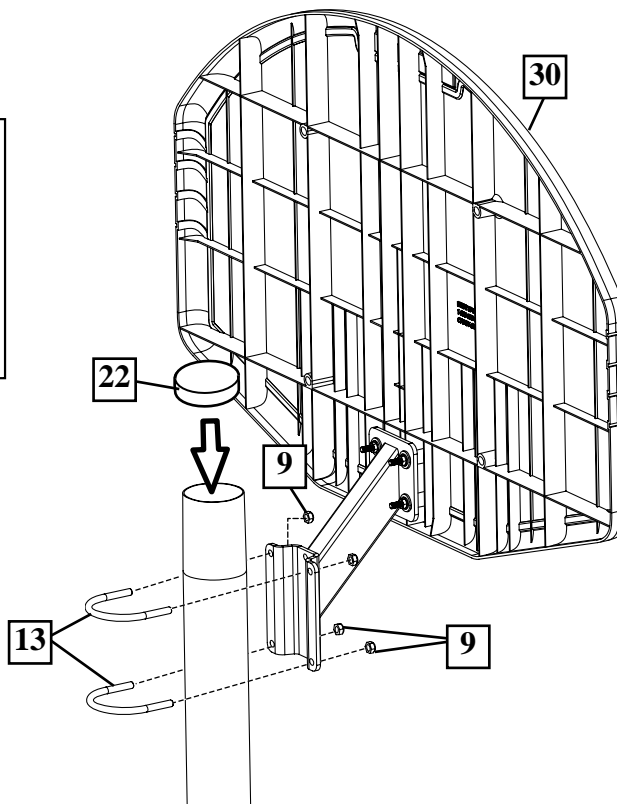
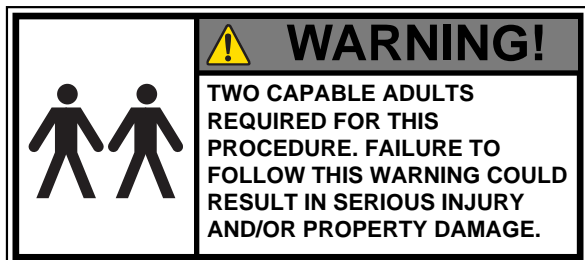
## Display Stand - Top View



1. Attach rim (25) to backboard (30) and extension arm (31) with bolts (7), washers (14) and nuts (11).

Tighten completely.

2. Attach board assembly to pole.



## Free Manuals Download Website

<http://myh66.com>

<http://usermanuals.us>

<http://www.somanuals.com>

<http://www.4manuals.cc>

<http://www.manual-lib.com>

<http://www.404manual.com>

<http://www.luxmanual.com>

<http://aubethermostatmanual.com>

Golf course search by state

<http://golfingnear.com>

Email search by domain

<http://emailbydomain.com>

Auto manuals search

<http://auto.somanuals.com>

TV manuals search

<http://tv.somanuals.com>