



HTD8SCS Series
540 Line Color Dome Camera
Wall & Ceiling Mountable



Please read this manual thoroughly before operation and keep it handy for further reference.

WARNING & CAUTION

	CAUTION RISK OF ELECTRIC SHOCK DO NOT OPEN	
CAUTION : TO REDUCE THE RISK OF ELECTRIC SHOCK DO NOT REMOVE COVER (OR BACK). NO USER SERVICEABLE PARTS INSIDE REFER SERVICING TO QUALIFIED SERVICE PERSONNEL.		



The lightning flash with an arrowhead symbol, within an equilateral triangle is intended to alert the user to the presence of un-insulated "dangerous voltage" within the product's enclosure that may be of sufficient magnitude to constitute a risk of electric shock to persons



The exclamation point within an equilateral triangle is intended to alert the user to the presence of important operating and maintenance (servicing) instructions in the literature accompanying the appliance

INFORMATION -This equipment has been tested and found to comply with limits for a class A digital device Pursuant to part 15 of the FCC rules. These limits are designed to provide reasonable protection against harmful interference when the equipment is operated in a commercial environment. This equipment generates, uses, and can radiate radio frequency energy and if not installed and used in accordance with the instruction manual, may cause harmful interference to radio communications. Operation of this equipment in a residential area is likely to cause harmful interference in which case the user will be required to correct the interference at his own expense.

WARNING – Change or modification not expressly approved by the manufacturer could void the user's authority to operate the equipment

CAUTION : To prevent electric shock and risk of fire hazards.

DO NOT use power sources other than that specified.

DO NOT expose this appliance to rain or moisture.

This installation should be made by a qualified service person and should conform to all local codes.

● Contents

Package Contents	3
Precautions	4
Camera Installation	5-6
Internal Components	7
Features	8
OSD	9

Operating Your Camera

SET UP 10
SET UP LENS..... 10

SHUTTER SPEED CONTROL..... 10
BACK LIGHT 10
AUTO GAIN (AGC) 10
WHITE BALANCE 11
CAMERA TITLE 11
MIRROR 12
DAY/NIGHT/SYNC 12
MOTION DETECTION 12
PRIVACY 12
GAMMA 13
RESET 13
ADJUST 13
EXIT 13

Specifications

..... 14

Dimensions

..... 15

Warranty

..... 16

PACKAGE CONTENTS

- **Please make sure that the following items are included in the package:**

1 CAMERA & Easy Mount Plate

ACCESSORIES:

4 MOUNTING SCREWS

4 SET SCREWS

1 RUBBER CABLE CAP

1 VIDEO TEST LEAD

1 WRENCH

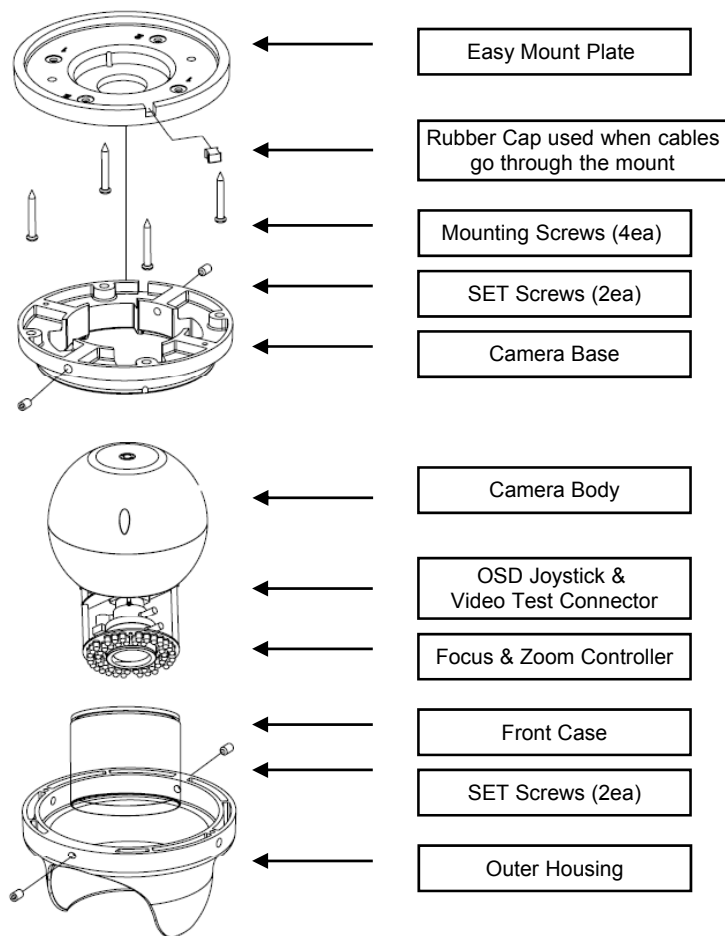
Please leave this manual with the end-user for future reference.

PRECAUTIONS

- **THIS DOME CAMERA SHOULD BE ONLY INSTALLED BY QUALIFIED PERSONNEL**
- **TO PREVENT A FIRE OR ELECTRICAL HAZARD PLEASE USE PROPER POWER CABLE**
- **PLEASE USE AN APPROVED REGULATED 12 VOLT DC POWER SUPPLY LIKE THE SPECO PSW-5**
- **PLEASE USE APPROPRIATE LOW VOLTAGE POWER CABLE TO PREVENT FIRE OR ELECTRICAL SHOCK**
- **PLEASE INSURE THAT YOUR INSTALLATION AREA CAN SUPPORT THE WEIGHT OF THE CAMERA**
- **PLEASE HANDLE THIS CAMERA CAREFULLY:**
 - **DON'T USE A STRONG OR ABRASIVE DETERGENT WHEN CLEANING THE CAMERA.**
 - **DO NOT EXPOSE THE CAMERA TO DIRECT SUN**

CAMERA INSTALLATION

1. Assembly



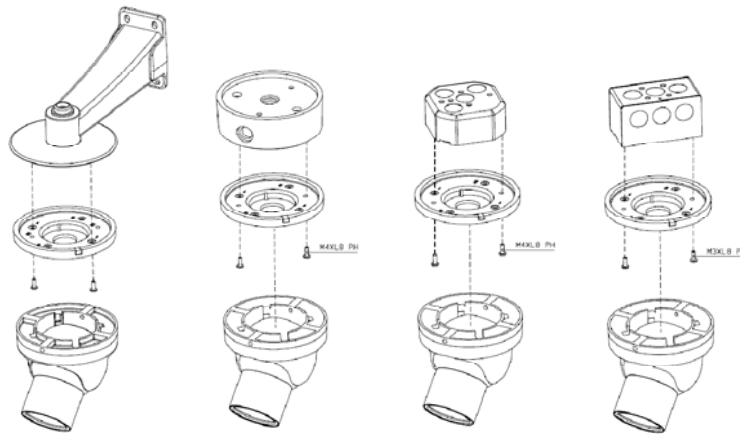
CAMERA INSTALLATION

2. Compatibility

7246WMT

CVC-TPEXT "A" type Box

"B" type Box



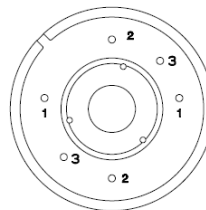
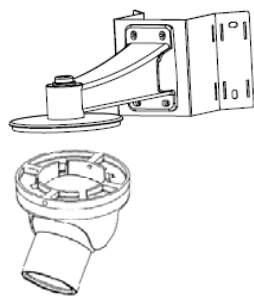
BCP(Using 7246WMT)

[CVCTPLATE Hole Description]

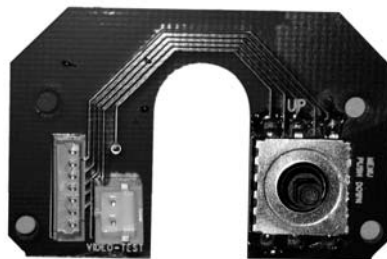
Hole 1 : 7246WMT / CVCTPEXT

Hole 2 : Electrical Box "A" type

Hole 3 : Electrical Box "B" type

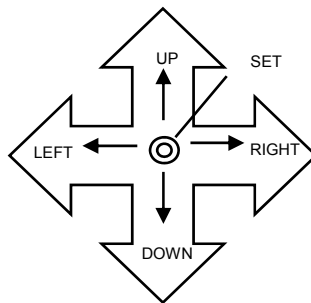


INTERNAL COMPONENTS



Video Test Terminal

OSD Joystick Switch



Push the Joy stick for one second, and the OSD appears on the screen. Move the Joy Stick up, down, left & right to control the OSD functions.

● Features

BLC

When the image is in front of strong background lighting, your camera allows you to get a clear image.

High Resolution

Horizontal resolution of 540 TV lines is achieved by using a SONY Double Speed CCD with 410,000 pixels, yielding pictures with a high S/N ratio.

OSD

All camera functions are menu driven for easy use.

ELECTRONIC DAY/NIGHT

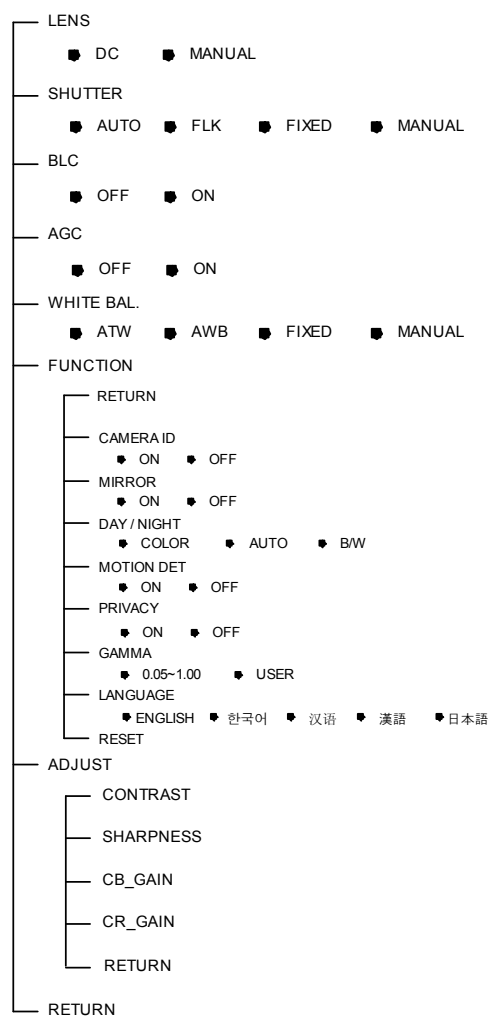
The camera can show color pictures in all lighting conditions, or you can have it automatically switch to a B/W picture in low light conditions

Motion Detection

Built in motion detector with adjustable areas of coverage will flash a warning on the screen when motion is detected.

● Operating your camera

OSD Function



● Operating your camera – SETUP

1) LENS

<DC / MANUAL>

Selects Lens Type.

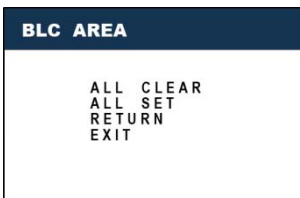
2) SHUTTER

<AUTO / FLK / FIXED / MANUAL>

Adjusts shutter settings.
Flicker-less mode (FLK) reduces on-screen flickering.
Electronic Shutter Control (AUTO) adjusts brightness level on screen.
Manual mode allows you to adjust the shutter speed from 1/60~1/120,000 of a second (NTSC), or 1/50~1/100,000(PAL).
FLK is the only option available when the camera lens is set to the recommended DC mode.

3) BLC

<ON / OFF>



Provides light level control to overcome severe backlighting conditions.

4) AGC

<ON / OFF>

Adjusts value of AGC gain. Increase the GAIN level to brighten the picture. (noise / distortion may develop)

5) WHITE BAL.

<ATC / AWB / FIXED / MANUAL>

Controls color on the screen.
Select Auto Tracking White Balance (ATW) when the color temp. is 2400°K~12000°K (for example when under a fluorescent light or outdoors).
Manual mode allows you to increase or decrease the red or blue factor on screen.
Auto White Balance Control (AWC) automatically adjusts the white balance to your specific environment.

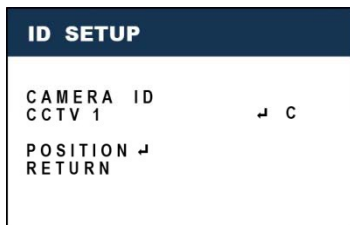
6) FUNCTION

(6-1) RETURN

Return to the main SETUP menu.

(6-2) CAMERA ID

<OFF / ON>



Display a name and/or number on the monitor.
To add a camera title:

CAMERA ID : Select character by moving joystick up and down.
C = Delete the entire name and start again.
POSITION = Position the camera title on the screen.
Push down the button to set the position.

(6-3) MIRROR

<ON / OFF>

Produce a horizontal mirror image on screen.

(6-4) DAY / NIGHT

<AUTO / COLOR / BW>

AUTO = Automatically switches between color or black/white.
Delay – When the Day & Night function starts or stops (0~15sec)
Start Level – Set the brightness level to determine where the Day & Night function start to operate
End Level – Set the brightness level where the Day & Night function switches back
COLOR = Full time color mode
B/W = Full time B/W mode

(6-5) MOTION DET

<ON / OFF>

MOTION	MOTION AREA
AREA	
MOTION TH. 037	ALL CLEAR
MOTION TRACE OFF	ALL SET
RETURN	RETURN
	EXIT

AREA = Select motion detection area.
MOTION TH = Select low luminous motion threshold value.
MOTION TRACE = Display motion trace.

(6-6) PRIVACY

<ON / OFF>

PRIVACY	AREA SEL	AREA 0
AREA STATE		ON
LEFT	150	
RIGHT	170	
TOP	029	
BOTTOM	056	
COLOR	006	
RETURN		

AREA SEL = Select a motion detection grid (top left, top ,right, bottom left, bottom right) to modify.
AREA STATE = Activate or deactivate the selected grid.
LEFT/RIGHT/TOP/BOTTOM = Alter the dimensions of the selected grid.
COLOR = Select color of privacy area.

(6-7) GAMMA

<ON / USER>

Sharpen the image on screen.
Excessive sharpening may cause picture noise.

(6-8) LANGUAGE (English / 한국어 / 汉语/漢語 / 日本語)

Choose the language that should be displayed.

(6-9) RESET

Restore all factory default settings.

7) ADJUST

Adjust level of sharpness / contrast / CB_Gain / CR_Gain.

8) EXIT(SAVE)

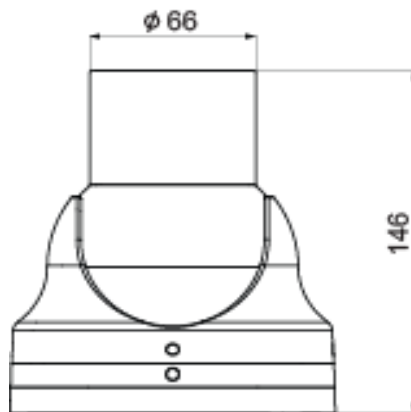
Save OSD settings and exit the SETUP menu.

SPECIFICATIONS

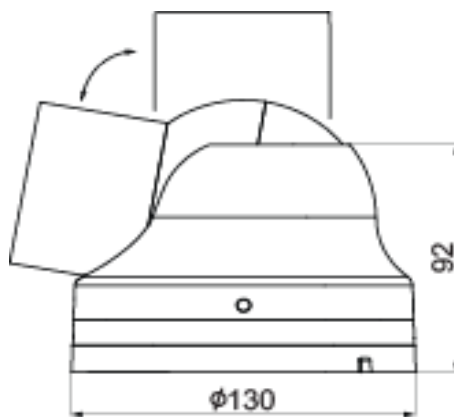
ITEM	540TV Lines IR DOME CAMERA
Power Requirements	12 Volts DC
Image Sensor	1/3", SONY SUPER HAD CCD 410,000 pixels
Effective Pixels	768(H) x 494(V) (NTSC)
Maximum Aperture Ratio	1 : 1.3 ~2.0
Scanning System	2 : 1 Interlaced 525 Lines / 60 Fields / 30 Frames
Video Output	1.0V [p-p] NTSC Composite, 75Ω
Resolution	540 TV Line
Lens Type	2.8~11MM DC Auto Iris
Back Light Compensation (BLC)	AUTO / OFF – Dynamically Adjustable
Gain Control	ON / OFF - Dynamically Adjustable
Electric Shutter Speed	1/60 ~ 1/120,000 sec - Dynamically Adjustable
WHITE BALANCE	ATW / FIXED / AWB / MANUAL
Min. Illumination	0. 00Lux (48 IR LED ON)
S/N (Y signal)	50dB (Weight On)
Motion Detection	ON / OFF – 4 Zones
On Screen Display (O.S.D)	Built - in
PRIVACY Function	ON / OFF (4 Programmable Zone)
Operational Temperature	-29℃ ~ +50℃ (- 20°F ~122°F)
Operational Humidity	30% ~90% RH

DIMENSIONS

* FRONT VIEW



* SIDE VIEW



WARRANTY



LIMITED WARRANTY

THIS WARRANTY IS VALID ONLY ON PRODUCTS PURCHASED AND USED IN THE UNITED STATES OF AMERICA. THIS WARRANTY APPLIES ONLY TO THE ORIGINAL USER.

SUBJECT TO CONDITIONS AND EXCLUSIONS FOUND BELOW, THIS PRODUCT IS WARRANTED AGAINST MANUFACTURING DEFECTS IN MATERIAL AND WORKMANSHIP FOR THE FOLLOWING PERIOD FOR PARTS AND LABOR:

SPECO TECHNOLOGIES CAMERAS:	5 YEARS
SPECO TECHNOLOGIES MONITORS:	1 YEAR
BALANCE OF SPECO TECHNOLOGIES LINE:	1 YEAR*
* IR LEDs, Time lapse VCR Drum Assemblies & Heads:	90-DAYS

SPECO TECHNOLOGIES WILL REPAIR OR REPLACE (AT OUR DISCRETION) ANY PARTS FOUND TO BE DEFECTIVE FOR THE WARRANTY PERIOD SPECIFIED. WE WILL PROVIDE A REPLACEMENT FOR ANY DEFECTIVE PART.

CONDITIONS

1. YOU MUST OBTAIN A RETURN AUTHORIZATION NUMBER FOR ANY MERCHANDISE BEING RETURNED TO SPECO TECHNOLOGIES, WHETHER FOR RETURN/EXCHANGE OR REPAIR, WHETHER IN OR OUT OF WARRANTY.
2. THIS WARRANTY WILL BE HONORED ONLY UPON PRESENTATION OF THE ORIGINAL DATED BILL OF SALE OR SALES SLIP.
3. TRANSPORTATION OF THE PRODUCT TO OUR SERVICE DEPARTMENT IS THE RESPONSIBILITY OF THE USER. REPAIRED OR REPLACED PRODUCT WILL BE RETURNED PREPAID DURING THE WARRANTY PERIOD.

EXCLUSIONS

1. THIS WARRANTY SHALL NOT COVER ADJUSTMENT OF CUSTOMER OPERATED CONTROLS AS EXPLAINED IN THE APPROPRIATE MODEL'S INSTRUCTION MANUAL OR PRODUCTS WHICH HAVE BEEN ALTERED, ABUSED, OR HAVE MISSING OR ALTERED SERIAL NUMBERS.
2. THIS WARRANTY SHALL NOT APPLY TO UNCRATING, SETUP, INSTALLATION, OR THE REMOVAL AND REINSTALLATION OF PRODUCTS AFTER REPAIR.
3. THIS WARRANTY SHALL NOT APPLY TO REPAIRS OR REPLACEMENTS NECESSITATED BY ANY CAUSE BEYOND THE RESULT OF MANUFACTURE INCLUDING, BUT NOT LIMITED TO, ANY MALFUNCTION, DEFECTS OR FAILURE CAUSED BY OR RESULTING FROM UNAUTHORIZED SERVICE OR PARTS, IMPROPER MAINTENANCE, MODIFICATION OR REPAIR BY THE USER, ABUSE, MISUSE, NEGLIGENCE, ACCIDENT, FIRE, FLOOD, OR OTHER ACTS OF NATURE, INCORRECT LINE VOLTAGE, DAMAGE OR IMAGE BURNS TO TELEVISION PICTURE TUBES CAUSED BY OR ATTRIBUTABLE TO THE USE OF ANY ACCESSORY, ELECTRONICS GAME OR DEVICE, OR DAMAGE CAUSED TO IMAGE PICKUP DEVICES BY EXCESSIVE LIGHT.

THE FOREGOING IS IN LIEU OF ALL OTHER EXPRESSED WARRANTIES AND WE DO NOT AUTHORIZE ANY PARTY TO ASSUME FOR US ANY OTHER OBLIGATION OR LIABILITY. IN NO EVENT SHALL WE BE LIABLE FOR INCIDENTAL OR CONSEQUENTIAL DAMAGES ARISING FROM THE USE OF THIS PRODUCT, OR FOR ANY DELAY IN THE USE OF THIS PRODUCT DUE TO CAUSES BEYOND OUR CONTROL.

SOME STATES DO NOT ALLOW LIMITATIONS OF HOW LONG AN IMPLIED WARRANTY LASTS AND/OR DO NOT ALLOW THE EXCLUSION OR LIMITATION OF CONSEQUENTIAL DAMAGES. THE ABOVE LIMITATIONS ON IMPLIED WARRANTY AND CONSEQUENTIAL DAMAGES MAY NOT APPLY TO YOU.

THIS WARRANTY GIVES YOU SPECIFIC LEGAL RIGHTS. YOU MAY HAVE OTHER RIGHTS WHICH VARY FROM STATE TO STATE.

NOTE: FOR YOUR PROTECTION IN THE EVENT OF THEFT OR LOSS OF THIS PRODUCT, PLEASE FILL IN THE INFORMATION REQUESTED BELOW AND RETAIN WITH YOUR SALES RECEIPT.

MODEL NO.: _____ SERIAL NO.: _____
(LOCATED ON BACK OR BOTTOM OF UNIT)

DATE OF PURCHASE: _____

WHERE PURCHASED: _____ PURCHASE PRICE: _____

Speco Technologies
200 NEW HIGHWAY
AMITYVILLE, NY 11701 www.specotech.com

FOR MORE INFORMATION REGARDING
SERVICE OR RETURN, CALL US
TOLL FREE: 1-800-645-5516 IN METRO NY: 631-957-8700

ALWAYS USE DISCRETION WHEN INSTALLING VIDEO AND/OR AUDIO SURVEILLANCE EQUIPMENT ESPECIALLY WHEN THERE IS AN EXPECTATION OF PRIVACY. INQUIRE REGARDING FEDERAL, STATE AND/OR LOCAL REGULATIONS APPLICABLE TO THE LAWFUL INSTALLATION OF VIDEO AND/OR AUDIO RECORDING OR SURVEILLANCE EQUIPMENT. PARTY CONSENT MAY BE REQUIRED.

MEMO



200 New Highway
Amityville, NY 11701
631-957-8700
www.specotech.com

Rev. 100125

Speco Technologies is constantly developing product improvements.
We reserve the right to modify product design and specifications without notice
and without incurring any obligation.

Free Manuals Download Website

<http://myh66.com>

<http://usermanuals.us>

<http://www.somanuals.com>

<http://www.4manuals.cc>

<http://www.manual-lib.com>

<http://www.404manual.com>

<http://www.luxmanual.com>

<http://aubethermostatmanual.com>

Golf course search by state

<http://golfingnear.com>

Email search by domain

<http://emailbydomain.com>

Auto manuals search

<http://auto.somanuals.com>

TV manuals search

<http://tv.somanuals.com>