

# **Wide Dynamic Range Dome Camera**

## **WDR-D3**



200 New Highway  
Amityville, NY 11701  
631-957-8700  
[www.specotech.com](http://www.specotech.com)

**Please read this manual thoroughly before operation and keep it handy for further reference.**



# WARNING & CAUTION



## CAUTION



**CAUTION :** TO REDUCE THE RISK OF ELECTRIC SHOCK DO NOT REMOVE COVER (OR BACK). NO USER SERVICEABLE PARTS INSIDE REFER SERVICING TO QUALIFIED SERVICE PERSONNEL.



The lightning flash with an arrowhead symbol, within an equilateral triangle is intended to alert the user to the presence of un-insulated "dangerous voltage" within the product's enclosure that may be of sufficient magnitude to constitute a risk of electric shock to persons



The exclamation point within an equilateral triangle is intended to alert the user to the presence of important operating and maintenance (servicing) instructions in the literature accompanying the appliance

**INFORMATION** -This equipment has been tested and found to comply with limits for a class A digital device Pursuant to part 15 of the FCC rules. These limits are designed to provide reasonable protection against harmful interference when the equipment is operated in a commercial environment. This equipment generates, uses, and can radiate radio frequency energy and if not installed and used in accordance with the instruction manual, may cause harmful interference to radio communications. Operation of this equipment in a residential area is likely to cause harmful interference in which case the user will be required to correct the interference at his own expense.

**WARNING** – Change or modification not expressly approved by the manufacturer could void the user's authority to operate the equipment

**CAUTION :** To prevent electric shock and risk of fire hazards.

**DO NOT** use power sources other than that specified.

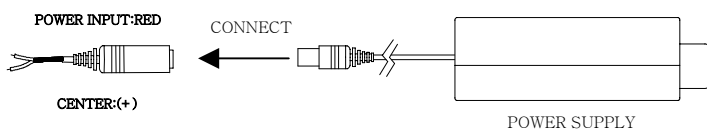
**DO NOT** expose this appliance to rain or moisture.

This installation should be made by a qualified service person and should conform to all local codes.

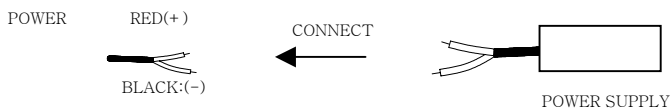
# CAMERA INSTALLATION

## CONNECT POWER CABLE

### 1. WHEN USING 12 VOLTS DC (constant voltage 600 mA)



### 2. WHEN USING 24 VOLTS AC (40 Volt Amps)



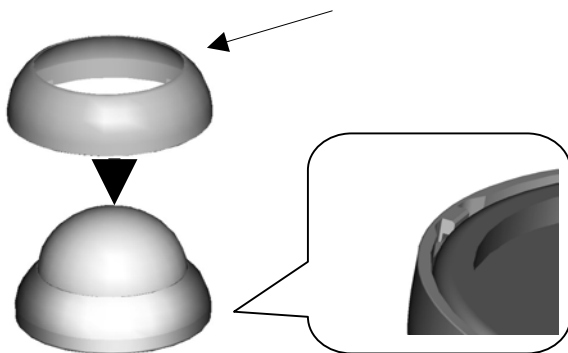
### 3. CONNECT VIDEO CABLE

-CONNECT BNC CABLE TO THE BNC JACK.



# CHAMELEON DOME INSTALLATION

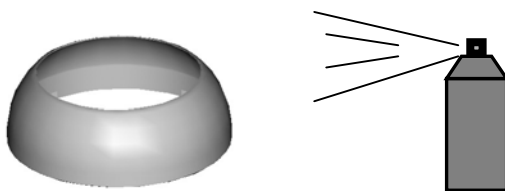
3. If desired, place the Chameleon Dome over the WDR-D3



Push the Chameleon Dome over the WDR-D3 until it snaps into position.

● **Notes : If painting is desired, please do so before installation**

\* **Painting method on Chameleon Dome**

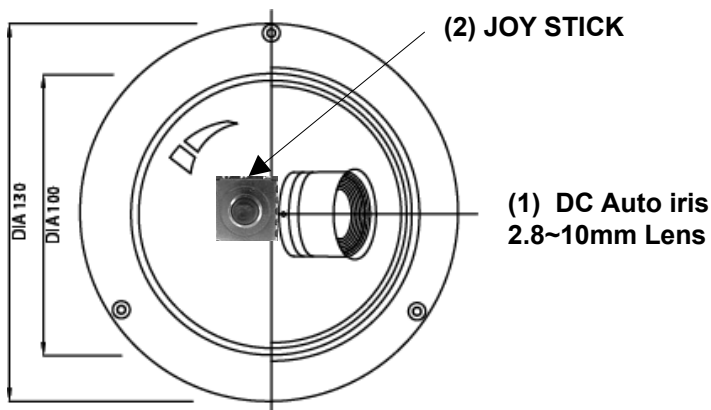


\* **Spray the Chameleon Dome with your desired color**

\* **If necessary apply a second coat**

# INTERNAL COMPONENTS

## 1. Mechanical



### (1) DC AUTO-IRIS LENS

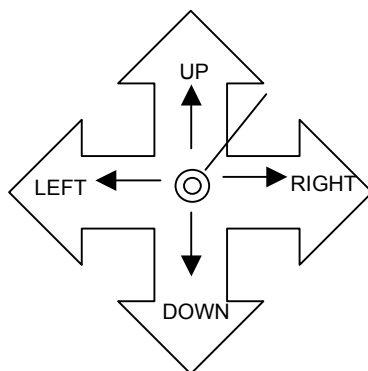
Adjust between T $\leftrightarrow$ W (TELE  $\leftrightarrow$  WIDE) to set the angle (focal length) Set the focus by adjusting  $\infty$  $\leftrightarrow$ N

**NOTE: BOTH OF THE ABOVE ADJUSTMENTS GET LOCKED INTO POSITION THROUGH THE USE OF "LOCKING HANDLES".**

### (2) JOY STICK

TO SET THE OSD (ON SCREEN DISPLAY) , PRESS THE JOY STICK FOR ONE SECOND AND SET AS DESCRIBED IN THE MANUAL

## 2. Joy Stick



Push the Joy stick for one second, and the OSD appears on the screen. Move the Joy Stick up, down, left & right to control the OSD functions.

# 1. GENERAL INFORMATION

## SAFETY PRECAUTION

### ■ Do not open and modify

Do not open the cabinet except during maintenance and installation, as it may be dangerous and cause damage.

### ■ Do not put objects inside the unit

Make sure that no metal objects or flammable substances get inside the camera. It could cause fire, short-circuits or damages.

### ■ Be careful when handling the unit

To prevent damage, do not drop the camera or subject it to strong shock or vibration

### ■ Install away from electric or magnetic fields

### ■ Protect from humidity and dust

### ■ Protect from high temperature

Be careful when installing close to the ceiling, in a kitchen or boiler room, as the temperature may raise to high levels.

### ■ Cleaning

Dirt can be removed from the cabinet only by wiping it with a soft cloth moistened with a soft detergent solution.

### ■ Mounting Surface

The mounting surface material must be strong enough to secure the camera.

# 2. EXHIBIT

## TIP FOR LOCATION OF THE CAMERA

Before sending the camera out for repair, check the items below. If the problem persists after checking these items, contact your service center.

### ■ If no image appears

Is the coaxial cable attached securely?

Are the power and voltage normal?

Has the iris of the lens inside the camera been adjusted correctly (with the level volume) ?

Is there adequate illumination?

### ■ If the image is unclear

Is the lens in focus?

Is the lens dirty?

Dirt of fingerprints on the lens can adversely affect the images. Gently wipe any dirt or fingerprints off the lens with a soft cloth or lens cleaning paper and cleaning fluid (commercially available).

Is the monitor adjusted correctly?

## WARNING:

**TO PREVENT THE RISK OF FIRE OR ELECTRIC SHOCK, DO NOT EXPOSE THIS APPLIANCE TO RAIN OR MOISTURE.**



### 3. CAMERA FEATURES

#### PRODUCT FEATURE

##### 1. High Resolution

It has 540 lines of horizontal resolution and 460 lines of vertical resolution. (540 HTVL equivalent)

##### 2. Superior Wide Dynamic Image Quality

It has very Wide Dynamic Range by using Pixim ORCA Chip Set.

Film-like colors are described under various Light conditions even in high dynamic range scenes

Dynamic Range is greater than 120 dB.

##### 3. Digital Pixel System

Each pixel is processed independently to get clear and usable images.

##### 4. Various Lens Choices

it offers flexibility of the lens from board mount to C/CS mount lens with manual and

DC auto-iris control.

##### 5. Power Source

DUAL VOLTAGE (12VDC or 24VAC)

##### 6. OSD control

Every function is controlled by OSD menu

- Automatic white balance
- Automatic gain control (max 60dB)
- Slow shutter, AGC on/off
- Line lock phase control
- Lens type control
- Auto exposure control

##### 7. Synchronization

Both Internal Synchronization and External Synchronization is provided.

##### 8. Camera ID

The title that indicated on Monitor can be appointed.

##### 9. NTSC/PAL Selectable

NTSC or PAL is selectable by simple switch is one camera

#### 4. CAMERA SPECIFICATION

Signal System	NTSC / PAL
Pick-up Device	1/3 inch CMOS (dramatically Dynamic range sensor)
Total of pixels	742(H) x 552(V)
Horizontal Resolution	520 Horizontal TV Lines (color)
Scanning System	525 lines interlaced / 625 lines interlaced
Synchronization	Internal / External
Video Output	1.0Vp-p/75 ohm Composite
Iris Control	DC Lens, Video Lens, Manual Lens
Sensitivity	0.08Lux (DSS on) with F1.2 Lens
S/N Ratio	48dB or more
Dynamic range	120dB(max), 95dB(typical)
Shutter Speed	1/60 - 1/100,000 / 1/50 - 1/100,000
Lens Mount	C/CS mount
AGC Control	0 - 60dB
OSD Menu Control	4-directional Swith with a center Push TACT Switch
Supplied Voltage	DC 12V (8V - 18V), AC 24V {(20V - 30V)option}
Power Consumption	Max 2.7W
Operating Temperature	-10°C ~ 50°C
Storage Temperature	-20°C ~ 70°C
Operating Humidity	Under 90% Non-condensing
Storage Humidity	under 95% Non-condensing

## 5. MENU AND SETTING DETAILS

### MAIN MENU

#### SET UP ID

DISPLAY ID:ON or OFF

CAMERA ID : 8 CHARACTER

ID POSITION : UP-LEFT or UP-CENTER or UP-RIGHT  
DOWN-LEFT or DOWN-CENTER or DOWN-RIGHT

RES : CCD-HIGH or CCD-NORMAL  
PIXIM-HIGH or PIXIM-NORMAL

#### LENS

MANUAL

DC : LEVEL (Range 0~255)

#### WDR

MANUAL(Range -20 to 20)

AUTO

#### WB CONTROL

ATW(Range 2K~11K)

AWB

MANUAL(Range 2K ~11K)

#### AGC CONTROL

OFF

ON(Range 0 ~ 60)

#### LOW LIGHT

SLOW SHUTTER(Range OFF~X32)

AUTO D/N

#### SPECIAL

VIDE0(NTSC/PAL)

FLIP(ON/OFF)

SYNC(INT/INT2/L-LOCK)

BACK LIGHT(ON/OFF/BACK LIGHT JONE)

FLICKER LESS(OFF/ON/FLICKER LESS JONE)

COLER MODE(B/W,OFF)

SHARPNESS(Range -8 ~ 8)

#### EXIT MENU

EXIT NO CHANGE

SAVE NEW AND EXIT

RESTORE FACTORY SETTING

RELEASE VERSION

## OSD MENU CONTROL

CENTER KEY - Used to access the menu mode, Also used to confirm the setting

UP / DOWN KEY - Used to choose the desired menu selection.

LEFT / RIGHT KEY - Used to choose the desired menu feature adjustment.

## OSD MENU ENTER / EXIT

### A. OSD MENU ENTER

- Push Center Key for 2 seconds

### B. OSD MENU EXIT

- Press EXIT Menu from Main Menu
- If Pressing Set Key for 2 seconds from Main Menu appears.

In this case, just press Set Key.

### C. 'SAVE' and 'QUIT'

- Left or Right Key - Selecting Menu
- Up or Down Key - Returning to Menu

1. Press the SET key to access the main setup mode.
2. Select the desired feature using the UP or Down key.
3. Change the status of the selected feature using the LEFT or RIGHT key.

## MAIN MENU

### A. SETUP ID

- DISPLAY ID
  - ON :The ID name will displayed in the monitor.
  - OFF : The name will not displayed in the monitor.
- CAMERA ID : You can be written to 8 characteristic.
- ID POSITION : Select on screen position of the camera ID.
- RES : Select Resolution of CCD or PIXIM

### B. LENS

- MANUAL : Use When using Manual lens.
- DC : You can control the brightness of the screen and adjust the desired DC level from 0 to 255.

### C. WDR

- WDR (Wide Dynamic Range) : You can adjust the desired WDR level from -20 to 20.

### D.FILKER LESS

- AUTO DECTECTION or SELECT AREA

#### E. WB CONTROL

- ATW (Auto Tracking White Balance) : The camera automatically control the white balance in any environment.
- AWB (Auto White Balance) : The white balance is automatically adjusted in a specific environment.
- MANUAL : Users can adjust the colors by adding or reducing the WB level.

You can adjust the desired WB level from 2K to 11K

#### F. AGC

- ON : Activate automatic gain control feature.

You can adjust the desired AGC level from 0 to 60dB.

- OFF : Deactivate automatic gain control feature.

#### G. LOW LIGHT

- SLOW SHUTTER : Control Image brightness by adjusting shutter speed

- AGC : Auto Gain Control setting( Range 28 to 48)

- AUTO D/N : AUTO DAY/NIGHT

#### H. SYNC

- INTERNAL : Internal synchronization

- INTERNAL2 : Internal synchronization (Color Rolling Mode)

- LINE LOCK : Phase adjustment may be necessary in multiple camera installations to prevent picture roll when switching between cameras

#### I. EXIT MENU

- EXIT NO CHANGES : No change

- SAVE NEW AND EXIT : Save change

- RESTORE FACTORY SETTINGS : Factory default

- SW REV

#### J. VIDEO

- NTSC or PAL SELECTION

#### K. FLIP

- HORIZONTAL REVERSE

#### L. BACK LIGHT

- BACK LIGHT NONES ADJUST or SELECT AREA

#### M. COLOR MODE

- COLOR or B/W SELECTION

#### N. SHARPNESS

- You can adjust the desired Sharpness level from -8 to 8.

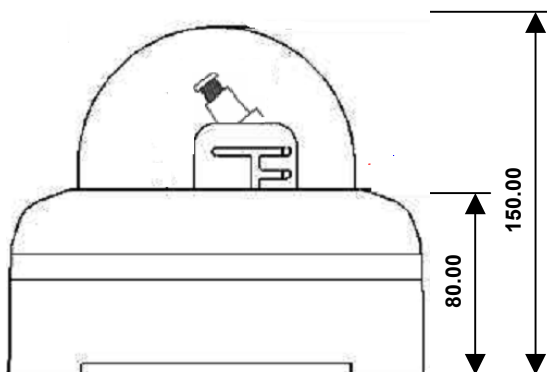
#### O. PREVIOUS PAGE

- PREVIOUS PAGE : Return page

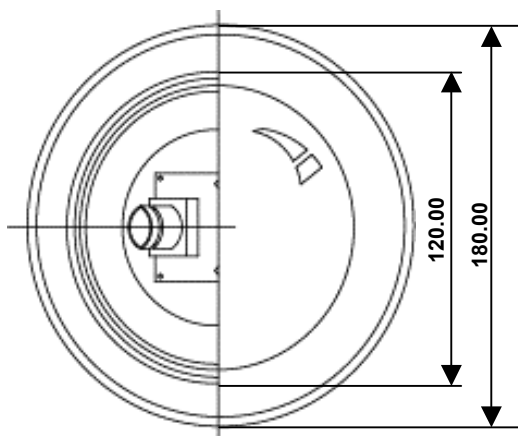
Download from [Www.Somanuals.com](http://www.Somanuals.com). All Manuals Search And Download.

# DIMENSIONS

\* SIDE VIEW : WDR-D3



\* TOP VIEW : WDR-D3



# WARRANTY



speco technologies™

## LIMITED WARRANTY

THIS WARRANTY IS VALID ONLY ON PRODUCTS PURCHASED AND USED IN THE UNITED STATES OF AMERICA. THIS WARRANTY APPLIES ONLY TO THE ORIGINAL USER.

SUBJECT TO CONDITIONS AND EXCLUSIONS FOUND BELOW, THIS PRODUCT IS WARRANTED AGAINST MANUFACTURING DEFECTS IN MATERIAL AND WORKMANSHIP FOR THE FOLLOWING PERIOD FOR PARTS AND LABOR:

ProVideo CAMERAS:	5 YEARS
ProVideo MONITORS:	1 YEAR
BALANCE OF ProVideo LINE:	1 YEAR*
* IR LEDs, Time lapse VCR Drum Assemblies & Heads:	90-DAYS

WE WILL REPAIR OR REPLACE (AT OUR OPTION) ANY PARTS FOUND TO BE DEFECTIVE FOR THE WARRANTY PERIOD SPECIFIED. WE WILL PROVIDE A REPLACEMENT FOR ANY DEFECTIVE PART.

### CONDITIONS

1. THIS WARRANTY WILL BE HONORED ONLY UPON PRESENTATION OF THE ORIGINAL DATED BILL OF SALE OR SALES SLIP.
2. TRANSPORTATION OF THE PRODUCT TO OUR SERVICE STATION IS THE RESPONSIBILITY OF THE USER. REPAIRED OR REPLACED PRODUCT WILL BE RETURNED PREPAID DURING THE WARRANTY PERIOD.

### EXCLUSIONS

1. THIS WARRANTY SHALL NOT COVER ADJUSTMENT OF CUSTOMER OPERATED CONTROLS AS EXPLAINED IN THE APPROPRIATE MODEL INSTRUCTION MANUAL OR PRODUCTS WHICH HAVE BEEN ALTERED, ABUSED, OR HAVE MISSING OR ALTERED SERIAL NUMBERS.
2. THIS WARRANTY SHALL NOT APPLY TO UNCRATING, SETUP, INSTALLATION, OR THE REMOVAL AND REINSTALLATION OF PRODUCTS AFTER REPAIR.
3. THIS WARRANTY SHALL NOT APPLY TO REPAIRS OR REPLACEMENTS NECESSITATED BY ANY CAUSE BEYOND THE RESULT OF MANUFACTURE INCLUDING, BUT NOT LIMITED TO, ANY MALFUNCTION, DEFECTS OR FAILURE CAUSED BY OR RESULTING FROM UNAUTHORIZED SERVICE OR PARTS, IMPROPER MAINTENANCE, MODIFICATION OR REPAIR BY THE USER, ABUSE, MISUSE, NEGLIGENCE, ACCIDENT, FIRE, FLOOD OR OTHER ACTS OF GOD, INCORRECT LINE VOLTAGE, DAMAGE OR IMAGE BURNS TO TELEVISION PICTURE TUBES CAUSED BY OR ATTRIBUTABLE TO THE USE OF ANY ACCESSORY, ELECTRONICS GAME OR DEVICE, OR DAMAGE CAUSED TO IMAGE PICKUP DEVICES BY EXCESSIVE LIGHT.

THE FOREGOING IS IN LIEU OF ALL OTHER EXPRESSED WARRANTIES AND WE DO NOT AUTHORIZE ANY PARTY TO ASSUME FOR US ANY OTHER OBLIGATION OR LIABILITY. IN NO EVENT SHALL WE BE LIABLE FOR INCIDENTAL OR CONSEQUENTIAL DAMAGES ARISING FROM THE USE OF THIS PRODUCT, OR FOR ANY DELAY IN THE USE OF THIS PRODUCT DUE TO CAUSES BEYOND OUR CONTROL.

SOME STATES DO NOT ALLOW LIMITATIONS OF HOW LONG AN IMPLIED WARRANTY LASTS AND/OR DO NOT ALLOW THE EXCLUSION OR LIMITATION OF CONSEQUENTIAL DAMAGES. THE ABOVE LIMITATIONS ON IMPLIED WARRANTY AND CONSEQUENTIAL DAMAGES MAY NOT APPLY TO YOU.

THIS WARRANTY GIVES YOU SPECIFIC LEGAL RIGHTS. YOU MAY HAVE OTHER RIGHTS WHICH VARY FROM STATE TO STATE.

**NOTE: FOR YOUR PROTECTION IN THE EVENT OF THEFT OR LOSS OF THIS PRODUCT, PLEASE FILL IN THE INFORMATION REQUESTED BELOW AND RETAIN WITH YOUR SALES RECEIPT.**

MODEL NO.: \_\_\_\_\_ SERIAL NO.: \_\_\_\_\_  
(LOCATED ON BACK OR BOTTOM SIDE OF UNIT)

DATE OF PURCHASE: \_\_\_\_\_

WHERE PURCHASED: \_\_\_\_\_ PURCHASE PRICE: \_\_\_\_\_

Speco Technologies  
200 NEW HIGHWAY  
AMITYVILLE, NY 11701

FOR MORE INFORMATION REGARDING  
SERVICE OR RETURN, CALL US AT  
TOLL FREE: 1-800-645-2515 IN METRO NY: 631-957-8700

ALWAYS USE DISCRETION WHEN INSTALLING VIDEO AND/OR AUDIO SURVEILLANCE EQUIPMENT ESPECIALLY WHEN THERE IS AN EXPECTATION OF PRIVACY. INQUIRE REGARDING FEDERAL, STATE AND/OR LOCAL REGULATIONS APPLICABLE TO THE LAWFUL INSTALLATION OF VIDEO AND/OR AUDIO RECORDING OR SURVEILLANCE EQUIPMENT. PARTY CONSENT MAY BE REQUIRED.



---

**200 New Highway**

**Amityville, NY 11701**

**631-957-8700**

**[www.specotech.com](http://www.specotech.com)**



## Free Manuals Download Website

<http://myh66.com>

<http://usermanuals.us>

<http://www.somanuals.com>

<http://www.4manuals.cc>

<http://www.manual-lib.com>

<http://www.404manual.com>

<http://www.luxmanual.com>

<http://aubethermostatmanual.com>

Golf course search by state

<http://golfingnear.com>

Email search by domain

<http://emailbydomain.com>

Auto manuals search

<http://auto.somanuals.com>

TV manuals search

<http://tv.somanuals.com>