

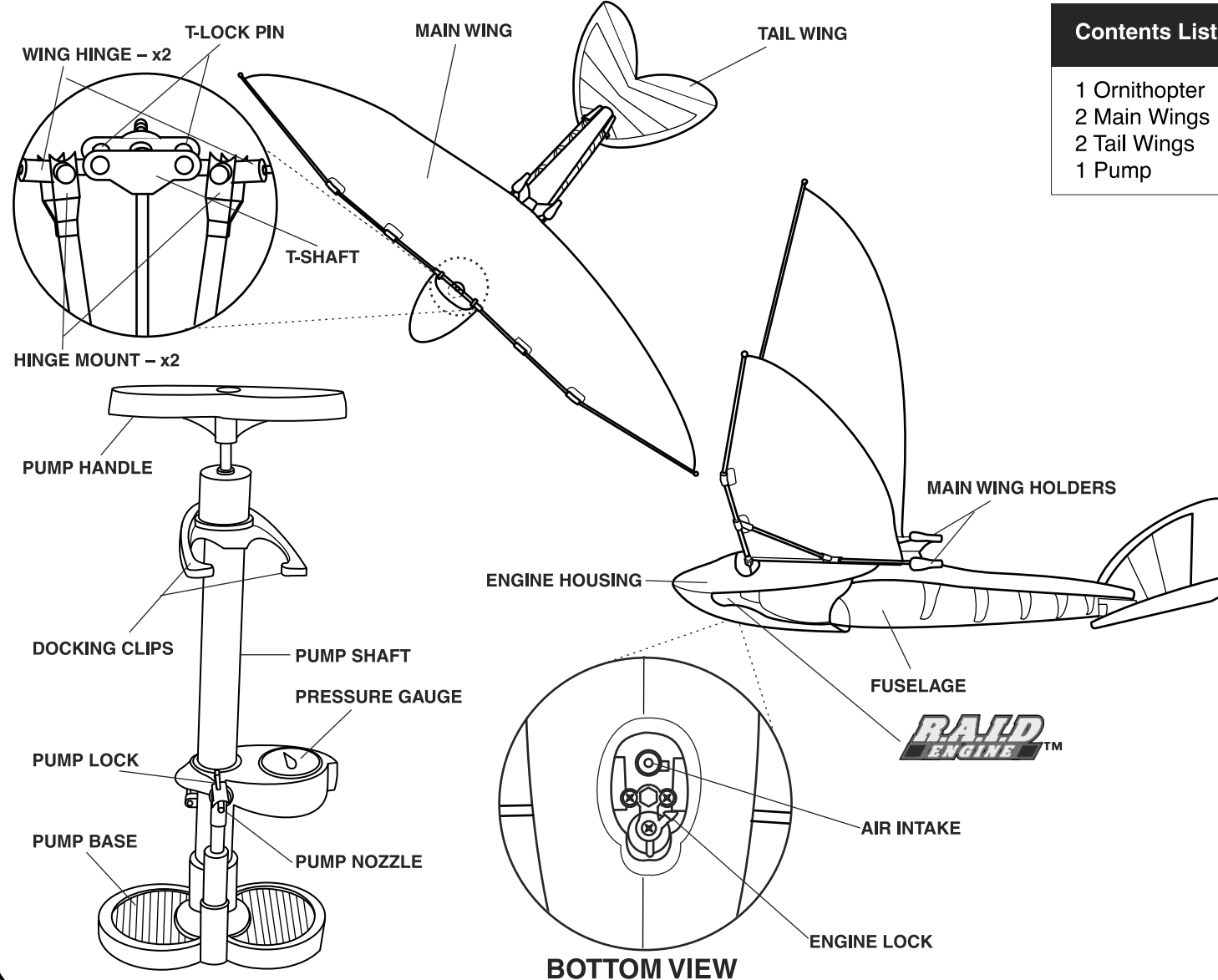
## Assembly Instructions & Flight Manual



**Congratulations!** You are now the proud owner of the AIR HOGS® ORNITHOPTER. The AIR HOGS® ORNITHOPTER is the first member of the AIR HOGS family to fly by **flapping its wings – just like a bird!** It is also the first-ever ornithopter to be powered by a real air pressure engine—the patented R.A.I.D. III™. The ORNITHOPTER can fly distances of up to 100 yards! It is part plane and part bird, with cyber-mechanical styling. The AIR HOGS® ORNITHOPTER requires no batteries. **Just pump it up!**

**IMPORTANT:** Problems? PLEASE DO NOT TAKE YOUR AIR HOGS® ORNITHOPTER BACK TO THE STORE! Call our friendly Flight Technicians toll-free at: **1-800-622-8339**

## Getting To Know Your AIR HOGS® ORNITHOPTER™



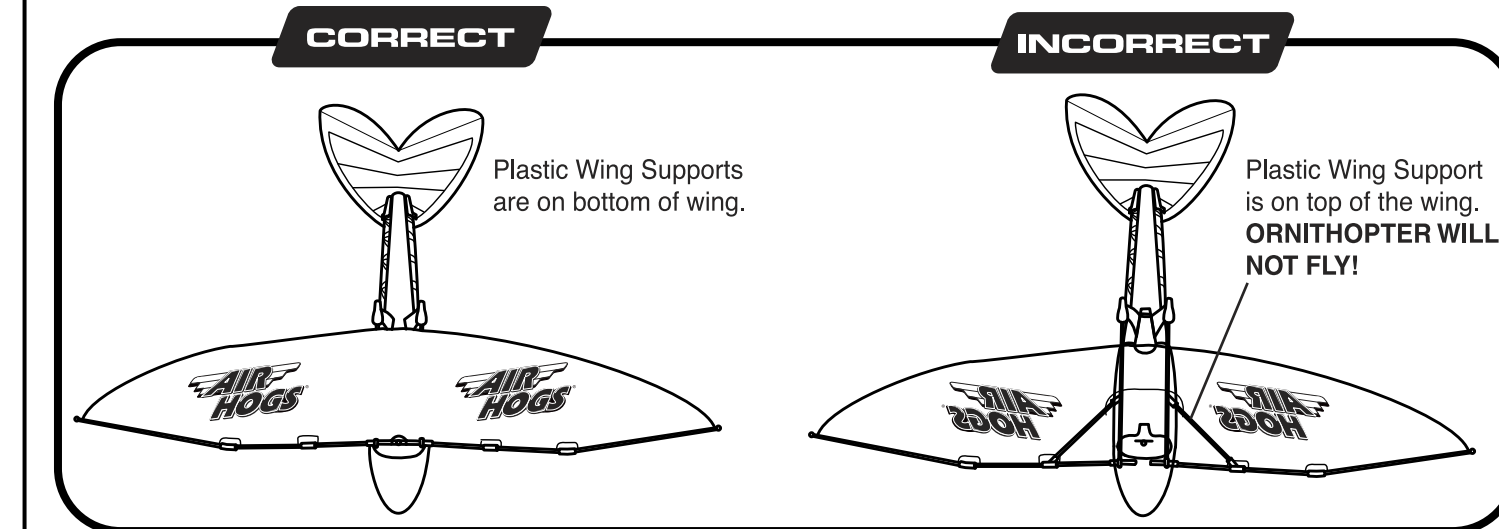
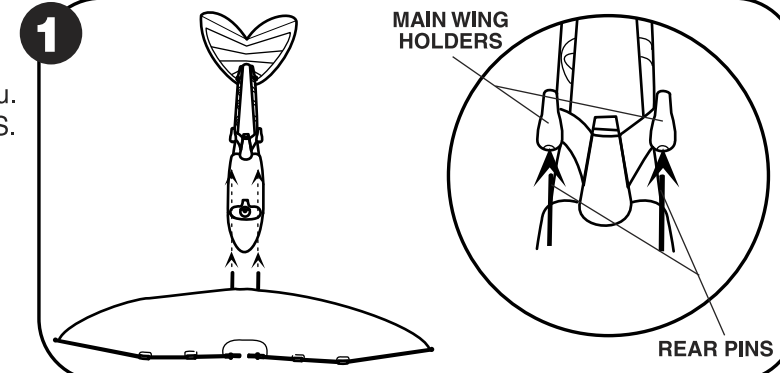
- Contents List:**
- 1 Ornithopter
  - 2 Main Wings
  - 2 Tail Wings
  - 1 Pump

## Assembly Instructions

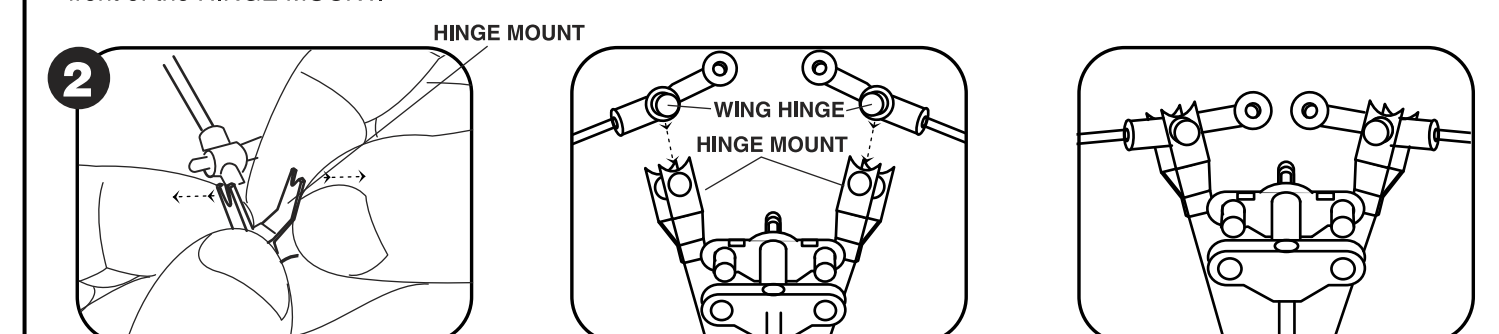
### A ATTACHING THE MAIN WING

1. Place the Ornithopter onto a table so that it is facing you. Place both REAR PINS into the 2 MAIN WING HOLDERS.

**IMPORTANT!** Ensure the MAIN WING is RIGHT-SIDE UP. The way to check this is to ensure THE PLASTIC WINGS SUPPORTS ARE BE UNDER THE WING, NOT ON TOP OF THE WING, FOR ASSEMBLY.

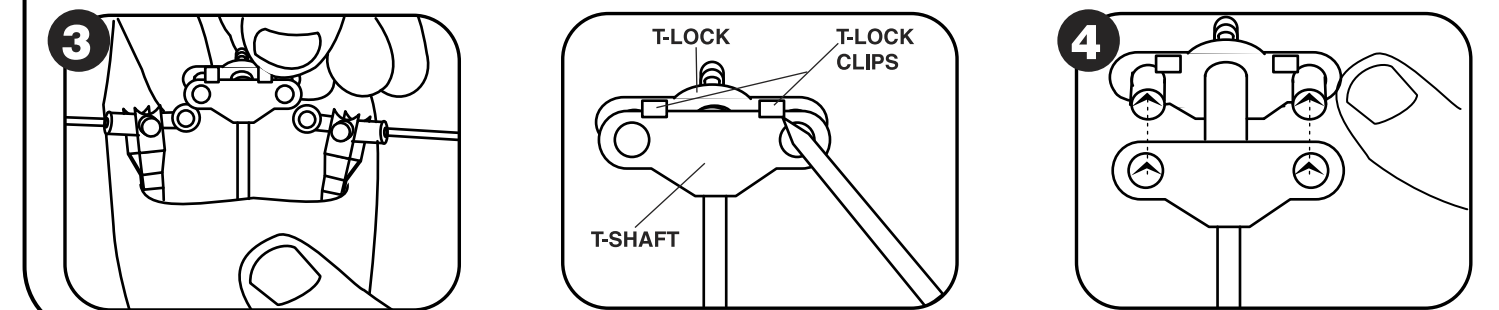


2. Spread the u-shaped HINGE MOUNT open with your fingers. Then, SNAP the back of the WING HINGE into the back of the HINGE MOUNT. Then, push the front of the WING HINGE downwards until it pops into the circular hole that is located in the front of the HINGE MOUNT.



3. Fully extend the T-SHAFT upwards and UNHOOK each of the T-LOCK CLIPS. (Ensure the engine lock is not engaged before performing this step.)

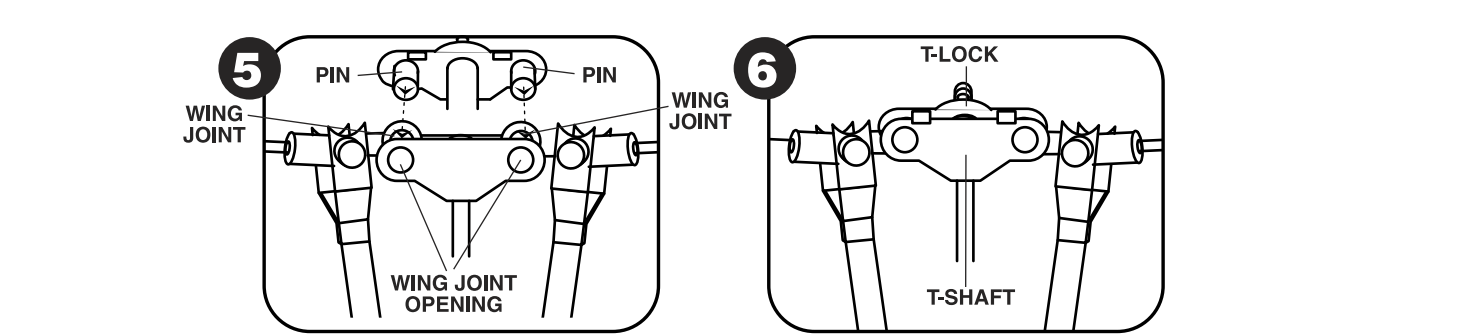
4. Push the T-LOCK backwards, removing the T-LOCK PINS from the T-SHAFT.



## Assembly Instructions continued

5. Position both WING JOINTS into the centre of the T-SHAFT and align the circular WING JOINT OPENINGS with the PINS

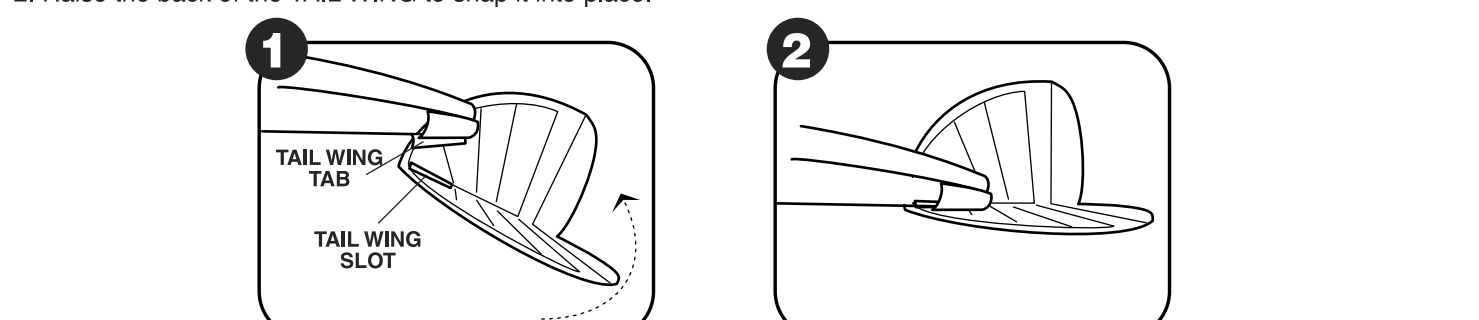
6. Slide the T-LOCK PINS all the way through the WING JOINT OPENINGS until the T-LOCK snaps into place.



### B ATTACHING THE TAIL WING ASSEMBLY

1. Insert the front end of the TAIL WING TAB into the TAIL WING SLOT.

2. Raise the back of the TAIL WING to snap it into place.

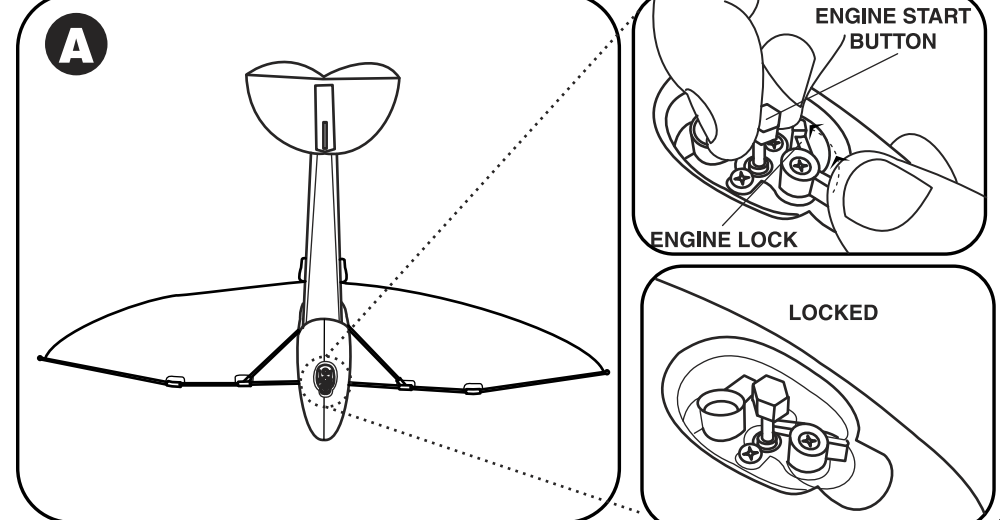


## Flying your AIR HOGS® Ornithopter

**ALWAYS FLY YOUR AIR HOGS® ORNITHOPTER IN A WIDE OPEN GRASSY AREA AWAY FROM OTHER PEOPLE, ANIMALS, TREES, BUILDINGS, AND OTHER OBSTRUCTIONS. THIS WILL HELP TO ENSURE A LONGER PRODUCT LIFE. ALWAYS USE CAUTION WHEN FLYING. POINT THE ORNITHOPTER AWAY FROM YOUR FACE AND AWAY FROM OTHER PEOPLE WHEN LAUNCHING. DO NOT FLY IN ELECTRICAL STORMS, RAIN, SLEET, SNOW, OR OTHER ADVERSE WEATHER CONDITIONS. DO NOT FLY ON WINDY DAYS. DO NOT FLY IN TEMPERATURES BELOW 45°F/7°C. IN LOW TEMPERATURES THE TOY WILL BECOME BRITTLE AND ENGINE PERFORMANCE IS DRAMATICALLY DECREASED. DO NOT LEAVE THE AIR HOGS® ORNITHOPTER IN DIRECT SUNLIGHT AND/OR EXTREME HEAT FOR EXCESSIVE AMOUNTS OF TIME. THIS WILL DAMAGE THE TOY.**

### 1. ATTACH THE ORNITHOPTER TO THE PUMP

a) Pull the ENGINE START BUTTON all the way upward and set the ENGINE LOCK. This will prevent the Ornithopter's wings from flapping accidentally during pumping.

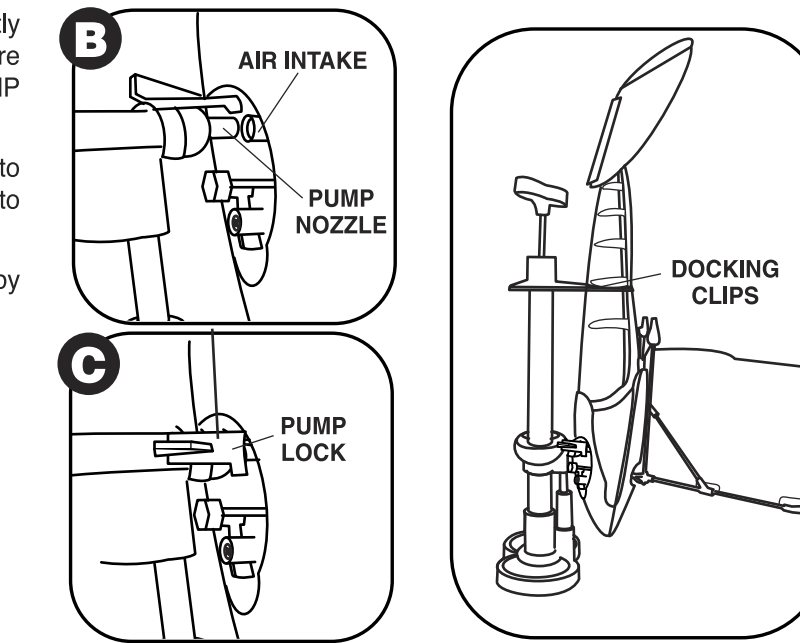


## Flying your AIR HOGS® Ornithopter continued

b) Attach the Ornithopter to the pump, as shown. Gently push the AIR INTAKE onto the PUMP NOZZLE. Make sure you push the AIR INTAKE ALL THE WAY onto the PUMP NOZZLE.

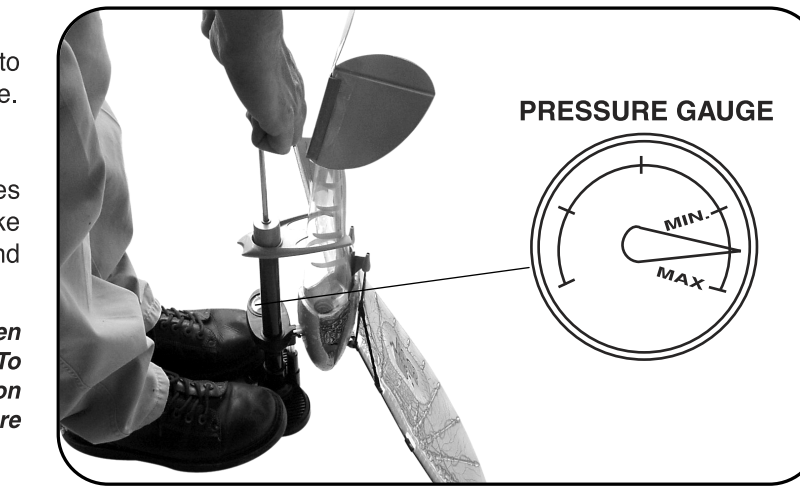
c) Rotate the PUMP LOCK so it is at a 45 degree angle to the pump, as shown. This will lock the Ornithopter into position for pumping.

d) The rear of the Ornithopter should now be grasped by the DOCKING CLIPS.



2. POSITION FOR PUMPING  
Ensure the pump is upright with the PUMP BASE flat to the ground. Place one foot on each side of the pump base.

3. PRESSURING THE ENGINE  
Pump air into the Ornithopter until the gauge reaches MAX. This will take 50-60 pumps. When pumping, make sure you fully extend the pump handle all the way up and all the way down for best results.

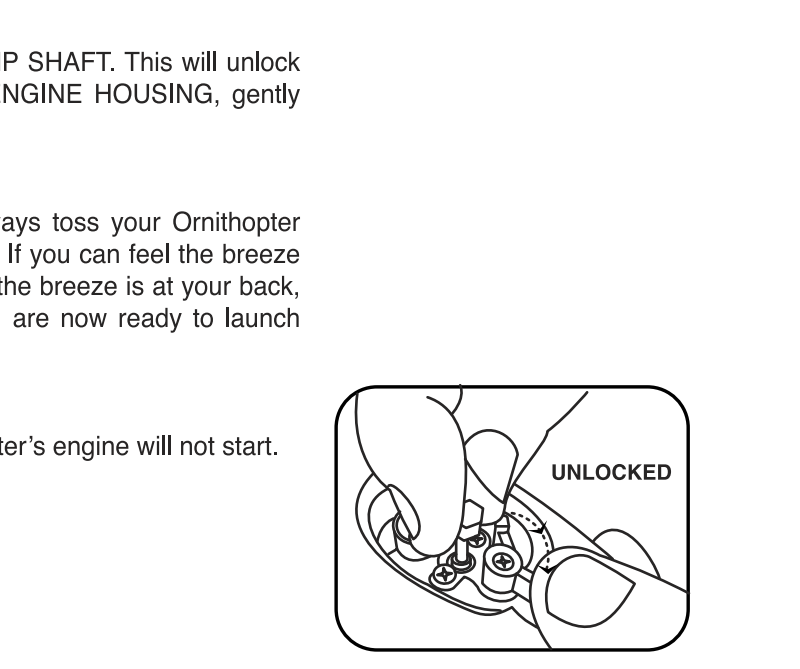


**IMPORTANT:** You will ONLY be able to read the gauge when the pump handle is in the FULL DOWNWARD POSITION. To check the pressure, hold the pump handle in this position and read the gauge. Once the gauge reaches MAX., you are ready to fly!

4. REMOVING THE ORNITHOPTER FROM THE PUMP  
Rotate the PUMP LOCK so that it is parallel to the PUMP SHAFT. This will unlock the Ornithopter. Then, holding the Ornithopter by the ENGINE HOUSING, gently remove it from the pump.

5. PREPARING FOR TAKEOFF  
Before flying, check the wind direction. You should always toss your Ornithopter against the breeze for the best take off and flight results. If you can feel the breeze against your face, you are facing the correct direction. If the breeze is at your back, turn around until you feel the breeze on your face. You are now ready to launch your Ornithopter.

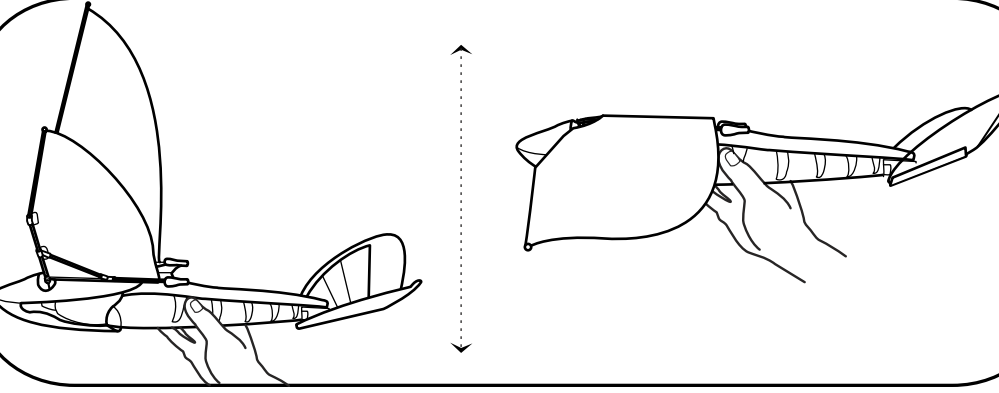
6. DISENGAGE THE ENGINE LOCK  
If you do not disengage the ENGINE LOCK, the Ornithopter's engine will not start.



## Flying your AIR HOGS® Ornithopter continued

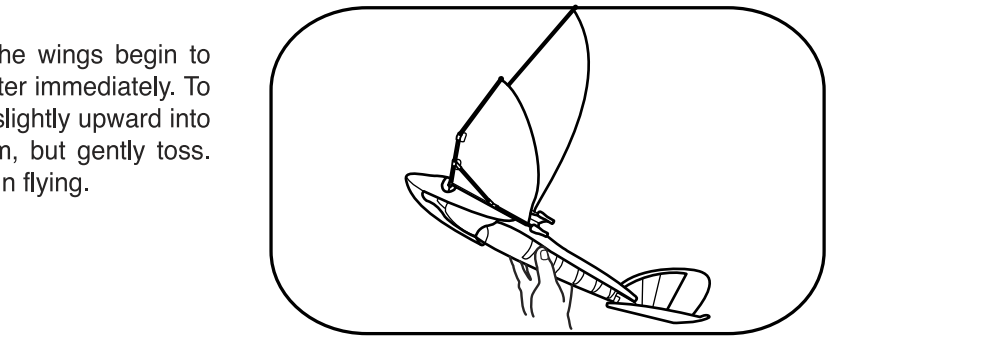
### 7. STARTING THE ENGINE

Hold the Ornithopter in your launching hand, as shown. Simply give the ornithopter a FIRM shake up and down. This movement will start the engine and the wings will begin to flap.



### 8. TAKE OFF

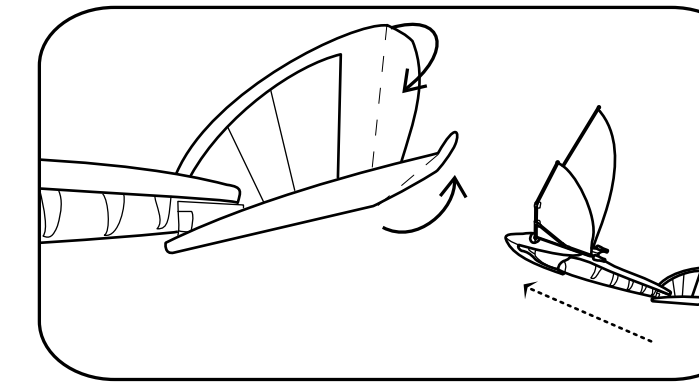
Once the engine has started and the wings begin to flap, you should launch the Ornithopter immediately. To do so, angle the Ornithopter's nose slightly upward into the air, as shown, and give it a firm, but gently toss. The Ornithopter will take off and begin flying.



## AIR HOGS® Flying Techniques

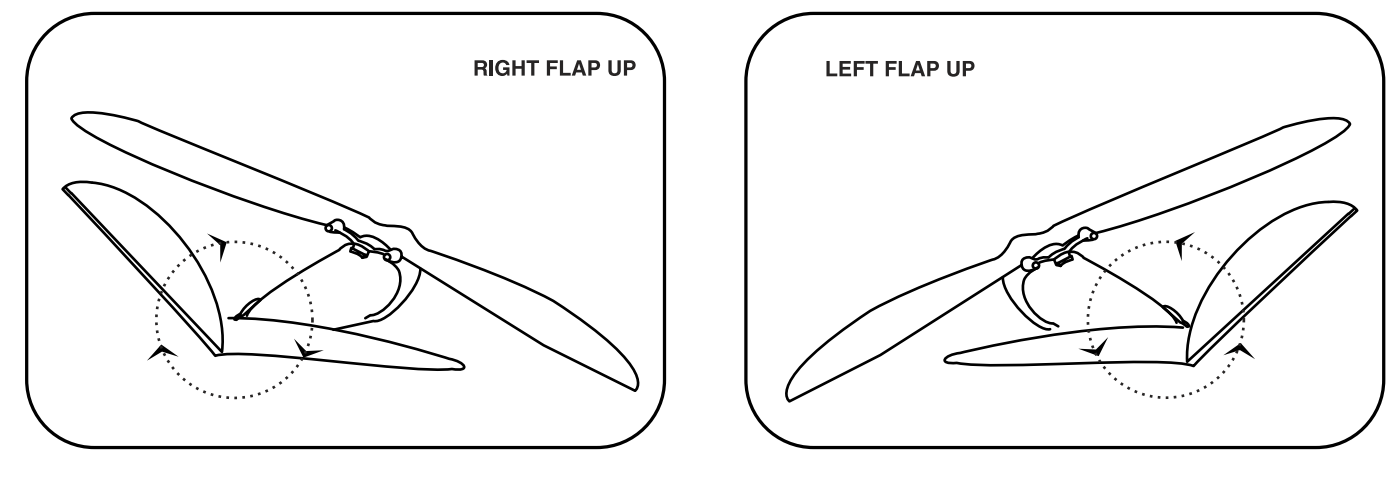
### 1. MAKING THE ORNITHOPTER CLIMB

Gently Bend BOTH FLAPS UP to make the Ornithopter climb.

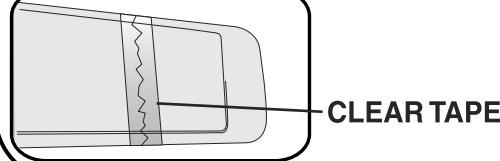


### 2. MAKING THE ORNITHOPTER BANK

Gently bend the LEFT FLAP UP to make the Ornithopter BANK RIGHT. Gently bend the RIGHT FLAP UP to make the Ornithopter BANK LEFT.



## REPAIR CENTER



If the wings on your AIR HOGS® ORNITHOPTER get damaged, they may be easily repaired by using clear tape. You may also use the spare set of main wings and tail wings included in the package. If you would like to purchase additional wings, please call our friendly Flight Technicians at 1-800-622-8339.

## TROUBLESHOOTING GUIDE

PROBLEM	CAUSE	SOLUTION
Engine will not start.	1. No air in tank. 2. Air Intake on engine, or Pump Nozzle, is clogged with dirt. 3. Engine Lock is engaged. 4. Engine Lock is disengaged, but you have not yet given the Ornithopter a firm shake up and down to activate the engine.	1. Pump air into Ornithopter. 2. Clean out with a toothpick and re-pump. 3. Disengage the Engine Lock. 4. Double-check to make sure the engine lock is disengaged. Then, use your launching hand to give the Ornithopter a firm shake up and down. This will start the engine and the wings will begin to flap.
Engine starts, but Ornithopter will not fly.	1. Fuselage is NOT full of air. 2. Main Wing is on UPSIDEDOWN!	1. Pump up Ornithopter until the Pump Gauge reaches MAX. This will take 50-60 pumps on an empty tank. 2. Ensure that the main wing is attached with the plastic wing spars on the underside of the wing. This is critical. IF THE MAIN WING IS ON UPSIDEDOWN, THE ORNITHOPTER WILL NOT FLY.
Ornithopter takes off, turns sharply and then crashes.	1. Wings are not straight. 2. Tail Wing Flaps are bent. 3. Wings are damaged	1. Make sure the wings are on straight. 2. Straighten out the Tail Wing Flaps. 3. Repair with clear tape or replace the damaged wing(s).
Ornithopter will not fit onto the Pump.	1. Air Intake on engine or Pump Nozzle are clogged.	1. Use a toothpick to gently remove the dirt or other debris from the clogged area.
Cannot remove Ornithopter from the Pump.	1. Pump Lock is still engaged.	1. Remember to unlock the Pump Lock before attempting to remove the Ornithopter from the Pump.
Tail Wing Assembly Falls Off.	1. Tail Wing Slot is not snapped ALL THE WAY onto the Tail Wing Tab.	1. Reattach the Tail Wing Assembly by PUSHING THE TAIL WING ALL THE WAY ONTO THE TAIL WING TAB.
NOT SURE WHAT THE EXACT PROBLEM IS?	NOT KNOWN	CALL US TOLL-FREE AT 1-800-622-8339.

## Important Safety Information

Keep clear from face and eyes. Do not launch at people or animals. Use caution; make sure people around you know you are playing with AIR HOGS®. Recommended for use in wide open areas. Do not fly near other people, animals, trees, buildings, and other obstructions. Point toy away from face when launching. DO NOT fly toy in temperatures below 45°F/7°C. In these low temperatures, the wings become brittle and engine performance is severely decreased.

Do not fly in high winds, snow, sleet, rain or electrical storms. Use only the pump included in this package. Other pumps may damage the toy or lead to injury. Never pump anything except air into the toy. After your last flight, flick the wings to make sure all the air has been used up. Do not leave air in the toy. Please retain this information for future use.

ADULT SUPERVISION RECOMMENDED.

**IMPORTANT:** Problems? PLEASE DO NOT TAKE YOUR AIR HOGS® ORNITHOPTER BACK TO THE STORE! Call our friendly Flight Technicians toll-free at: **1-800-622-8339**

## Free Manuals Download Website

<http://myh66.com>

<http://usermanuals.us>

<http://www.somanuals.com>

<http://www.4manuals.cc>

<http://www.manual-lib.com>

<http://www.404manual.com>

<http://www.luxmanual.com>

<http://aubethermostatmanual.com>

Golf course search by state

<http://golfingnear.com>

Email search by domain

<http://emailbydomain.com>

Auto manuals search

<http://auto.somanuals.com>

TV manuals search

<http://tv.somanuals.com>