

# SPIRIT®



## GAS GRILL

LP Gas Grill Owner's Guide

E -210/310  
SP-210/310

#89525



**YOU MUST READ THIS OWNER'S GUIDE  
BEFORE OPERATING YOUR GAS GRILL**

**⚠ DANGER**

If you smell gas:

1. Shut off gas to the appliance.
2. Extinguish any open flames.
3. Open lid.
4. If odor continues, keep away from the appliance and immediately call your gas supplier or your fire department.

Leaking gas may cause a fire or explosion which can cause serious bodily injury or death, or damage to property.

**⚠ WARNING**

1. Do not store or use gasoline or other flammable liquids or vapors in the vicinity of this or any other appliance .
2. An LP cylinder not connected for use shall not be stored in the vicinity of this or any other appliance.

**⚠ WARNING:** Follow all leak-check procedures carefully in this manual prior to barbecue operation. Do this even if the barbecue was dealer-assembled.

**NOTICE TO INSTALLER:** These instructions must be left with the owner and the owner should keep them for future use.

**THIS GAS APPLIANCE IS DESIGNED FOR  
OUTDOOR USE ONLY.**

**⚠ WARNING:** Do not try to light this appliance without reading the "Lighting Instructions" section of this manual.



89525 07/14/06 LP  
US ENGLISH

**⚠ DANGER**

Failure to follow the Dangers, Warnings and Cautions contained in this Owner's Manual may result in serious bodily injury or death, or in a fire or an explosion causing damage to property.

**⚠ WARNINGS**

- ⚠ Do not store a spare or disconnected liquid propane cylinder under or near this barbecue.
- ⚠ Improper assembly may be dangerous. Please carefully follow the assembly instructions in this manual.
- ⚠ After a period of storage, and/or nonuse, the Weber® gas barbecue should be checked for gas leaks and burner obstructions before use. See instructions in this manual for correct procedures.
- ⚠ Do not operate the Weber® gas barbecue if there is a gas leak present.
- ⚠ Do not use a flame to check for gas leaks.
- ⚠ Combustible materials should never be within 24 inches of the back or sides of your Weber® gas barbecue.
- ⚠ Do not put a barbecue cover or anything flammable on, or in the storage area under the barbecue.
- ⚠ Your Weber® gas barbecue should never be used by children. Accessible parts of the barbecue may be very hot. Keep young children away while it is in use.
- ⚠ You should exercise reasonable care when operating your Weber® gas barbecue. It will be hot during cooking or cleaning and should never be left unattended, or moved while in operation.
- ⚠ Should the burners go out while in operation, turn all gas valves off. Open the lid and wait five minutes before attempting to relight, using the lighting instructions.
- ⚠ Do not use charcoal or lava rock in your Weber® gas barbecue.
- ⚠ Never lean over open grill or place hands or fingers on the front edge of the cooking box.
- ⚠ Should a grease fire occur, turn off all burners and leave lid closed until fire is out.
- ⚠ Do not enlarge valve orifices or burner ports when cleaning the valves or burners.
- ⚠ The Weber® gas barbecue should be thoroughly cleaned on a regular basis.
- ⚠ Liquid propane gas is not natural gas. The conversion or attempted use of natural gas in a liquid propane unit or liquid propane gas in a natural gas unit is dangerous and will void your warranty.
- ⚠ Do not attempt to disconnect any gas fitting while your barbecue is in operation.
- ⚠ Use heat-resistant barbecue mitts or gloves when operating barbecue.
- ⚠ Keep any electrical supply cord and the fuel supply hose away from any heated surfaces.
- ⚠ Combustion byproducts produced when using this product contain chemicals known to the state of California to cause cancer, birth defects, or other reproductive harm.
- ⚠ Do not use this barbecue unless all parts are in place. The unit must be properly assembled according to the instructions outlined in the "Assembly Instructions".

**LIQUID PROPANE GAS UNITS ONLY:**

- ⚠ Use the regulator that is supplied with your Weber® gas barbecue.
- ⚠ Do not attempt to disconnect the gas regulator or any gas fitting while your barbecue is in operation.
- ⚠ A dented or rusty liquid propane cylinder may be hazardous and should be checked by your liquid propane supplier. Do not use a liquid propane cylinder with a damaged valve.
- ⚠ Although your liquid propane cylinder may appear to be empty, gas may still be present, and the cylinder should be transported and stored accordingly.
- ⚠ If you see, smell or hear the hiss of escaping gas from the liquid propane cylinder:
  1. Move away from liquid propane cylinder.
  2. Do not attempt to correct the problem yourself.
  3. Call your fire department.

Weber-Stephen Products Co. (Weber) hereby warrants to the ORIGINAL PURCHASER of this Weber® gas grill that it will be free of defects in material and workmanship from the date of purchase as follows:

Aluminum Castings,	25 years
Casting Paint,	2 years no burn-off
Porcelain Lid Section,	10 years
Stainless Steel Lid Section,	25 years no rust through or burn through
Stainless Steel Burners Tubes,	10 years no rust through
Porcelain Enameled Cast Iron	
Cooking Grates,	5 years no rust through or burn through
Porcelain Enameled	
Flavorizer® Bars,	3 years no rust through or burn through
Stainless Steel Cooking Grates,	7 years no rust through or burn through
Stainless Steel Flavorizer® Bars,	7 years no rust through or burn through
All Remaining Parts,	2 years

when assembled and operated in accordance with the printed instructions accompanying it. Weber may require reasonable proof of your date of purchase. THEREFORE, YOU SHOULD RETAIN YOUR SALES SLIP OR INVOICE.

This Limited Warranty shall be limited to the repair or replacement of parts that prove defective under normal use and service and which on examination shall indicate, to Weber's satisfaction, they are defective. Before returning any parts, contact the Customer Service Representative in your area using the contact information on our website. If Weber confirms the defect and approves the claim, Weber will elect to replace such parts without charge. If you are required to return defective parts, transportation charges must be prepaid. Weber will return parts to the purchaser, freight or postage prepaid.

This Limited Warranty does not cover any failures or operating difficulties due to accident, abuse, misuse, alteration, misapplication, vandalism, improper installation or improper maintenance or service, or failure to perform normal and routine maintenance, including but not limited to damage

Weber-Stephen Products Co., (Weber) mediante el presente documento le garantiza al COMPRADOR ORIGINAL de esta barbacoa o asador de gas Weber® que la misma estará libre defectos en cuanto a materiales y a mano de obra a partir de la fecha de compra según lo siguiente:

Aluminum Castings,	25 years
Casting Paint,	2 years no burn-off
Porcelain Lid Section,	10 years
Stainless Steel Lid Section,	25 years no rust through or burn through
Stainless Steel Burners Tubes,	10 years no rust through
Porcelain Enameled Cast Iron	
Cooking Grates,	5 years no rust through or burn through
Porcelain Enameled	
Flavorizer® Bars,	3 years no rust through or burn through
Stainless Steel Cooking Grates,	7 years no rust through or burn through
Stainless Steel Flavorizer® Bars,	7 years no rust through or burn through
All Remaining Parts,	2 years

cuando se ensambla y opera de acuerdo a las instrucciones impresas que lo acompañan. Weber pudiese requerir prueba razonable de la fecha de compra. POR LO TANTO, DEBERÁ GUARDAR SU RECIBO O FACTURA DE VENTA.

Esta garantía limitada está limitada a la reparación o reemplazo de piezas que se resultasen defectuosas bajo uso y servicio normal y las cuales al examinarse indiquen, a la plena satisfacción de Weber, de que efectivamente son defectuosas. Antes de devolver cualquier parte, contacte al Representante de Atención al Cliente en su área, cuya información de contacto la encontrará en nuestro sitio web. Si Weber confirma el defecto y aprueba el reclamo, ésta elegirá reparar o reemplazar tal pieza sin cargo alguno. Si usted tiene que retornarnos las partes defectuosas, los gastos de transporte deben ser prepagados. Weber retornará las partes al comprador con transporte o franqueo prepagado.

Esta Garantía Limitada no cubre ninguna falla o problema de operación a causa de accidentes, abuso, mal uso, alteración, uso en aplicaciones indebidas, vandalismo, instalación inapropiada o mantenimiento o servicio inapropiados, o por no llevar a cabo el mantenimiento normal y rutinario, entre los que se incluyen, pero sin limitación, los daños causados por insectos dentro de los tubos

Weber-Stephen Products Co. (Weber) garantit par la présente à L'ACHETEUR D'ORIGINE que ce grill à gaz Weber® sera sans défaut de matériau ou de fabrication à partir de la date d'achat selon les modalités suivantes :

Aluminum Castings,	25 years
Casting Paint,	2 years no burn-off
Porcelain Lid Section,	10 years
Stainless Steel Lid Section,	25 years no rust through or burn through
Stainless Steel Burners Tubes,	10 years no rust through
Porcelain Enameled Cast Iron	
Cooking Grates,	5 years no rust through or burn through
Porcelain Enameled	
Flavorizer® Bars,	3 years no rust through or burn through
Stainless Steel Cooking Grates,	7 years no rust through or burn through
Stainless Steel Flavorizer® Bars,	7 years no rust through or burn through
All Remaining Parts,	2 years

quand l'appareil est assemblé et utilisé en suivant les instructions imprimées qui l'accompagnent.

Weber peut demander une preuve raisonnable de la date d'achat. PAR CONSÉQUENT, IL FAUT GARDER LE REÇU OU LA FACTURE.

Cette garantie limitée ne couvre que la réparation ou le remplacement des pièces qui s'avèrent défectueuses en condition normales d'utilisation et de service et qui présentent un défaut selon Weber. Avant de renvoyer des pièces, veuillez contacter le Représentant du service à la clientèle de votre région à l'aide des coordonnées disponibles sur notre site Internet. Si Weber confirme le défaut et approuve la réclamation, Weber choisira de remplacer ces pièces gratuitement. S'il vous faut renvoyer des pièces défectueuses, les frais d'expédition doivent être payés d'avance. Weber renverra les pièces à l'acheteur en port payé.

Cette garantie limitée ne couvre pas les défauts ou difficultés de fonctionnement causés par un accident, par un usage abusif, par un mauvais usage, une modification, une utilisation, installation

caused by insects within the burner tubes, as set out in this owner's manual.

Deterioration or damage due to severe weather conditions such as hail, hurricanes, earthquakes or tornadoes, discoloration due to exposure to chemicals either directly or in the atmosphere, is not covered by this Limited Warranty.

There are no other express warrants except as set forth herein and any applicable implied warranties of merchantability and fitness are limited in duration to the period of coverage of this express written Limited Warranty. Some regions do not allow limitation on how long an implied warranty lasts, so this limitation may not apply to you.

Weber is not liable for any special, indirect or consequential damages. Some regions do not allow the exclusion or limitation of incidental or consequential damages, so this limitation or exclusion may not apply to you.

Weber does not authorize any person or company to assume for it any other obligation or liability in connection with the sale, installation, use, removal, return, or replacement of its equipment; and no such representations are binding on Weber.

This Warranty applies only to products sold at retail.

#### WEBER-STEPHEN PRODUCTS CO.

**Customer Service Center**  
1890 Roselle Road, Suite 308  
Schaumburg, IL 60195  
USA

For replacement parts call:

1-800-446-1071  
www.weber.com®

quemadores, según se detalla en este manual del propietario.

Esta Garantía Limitada no cubre el deterioro o daños a causa de condiciones de tiempo inclementes tales como granizo, huracanes, terremotos o tornados ni tampoco la decoloración por exposición a sustancias químicas bien sea por contacto directo o por las mismas contenidas en la atmósfera.

No existe ninguna otra garantía expresa que no sean las acá indicadas y cualesquier garantías implícitas de comerciabilidad y aptitud de uso están limitadas en duración al tiempo de cobertura de esta expresa Garantía Limitada por escrito. Algunas regiones no permiten limitación alguna en el tiempo que una garantía implícita pueda durar, por lo que esta limitación pudiera no aplicarle a usted. Weber no se hace responsable de cualesquier daños especiales, indirectos o emergentes. Algunas regiones no permiten la exclusión o limitación de daños incidentales o emergentes, por lo que esta limitación o exclusión pudieran no aplicarle a usted.

Weber no autoriza a persona o empresa alguna a asumir en su nombre ninguna obligación o responsabilidad en relación con la venta, instalación, uso, retiro, devolución o reemplazo de sus equipos, y ninguna tal representación será vinculante para Weber.

Esta Garantía aplica solo a aquellos productos vendidos al por menor.

#### WEBER-STEPHEN PRODUCTS CO.

**Customer Service Center**  
1890 Roselle Road, Suite 308  
Schaumburg, IL 60195  
USA

Para partes de repuesto llame a:

1-800-446-1071  
www.weber.com®

ou maintenance ou un entretien non conforme, par vandalisme ou par le manque de maintenance normale et routinière, y compris mais non limitée aux dégâts provoqués par des insectes dans les tubes des brûleurs, comme indiqué dans le manuel du propriétaire.

Les détériorations ou dommages causés par des intempéries telles que grêle, ouragan, tremblement de terre, tornades et les décolorations causées par des produits chimiques soit en contact direct soit dans l'atmosphère ne sont pas couverts par cette garantie.

Il n'existe aucune garantie expresse hormis celles indiquées ici et toute garantie implicite de qualité marchande et d'adaptation à l'usage est limitée dans le temps à la durée de la couverture de cette garantie expresse limitée. Certaines provinces ne permettant pas de restriction sur la durée d'une garantie implicite, il est possible que cette restriction ne s'applique pas dans votre cas.

Weber n'est pas responsable pour les dommages particuliers, indirects ou consécutifs. Certaines provinces interdisent l'exclusion ou la limitation des dommages fortuits ou consécutifs, par conséquent cette limitation ou cette exclusion peuvent ne pas s'appliquer à votre situation.

Weber n'autorise aucune personne ou compagnie à prendre en charge pour Weber toute autre obligation ou responsabilité en rapport avec la vente, l'installation, l'utilisation, l'enlèvement, le renvoi ou le remplacement de son matériel et la responsabilité de Weber ne sera en aucune façon engagée par une représentation de ce genre.

Cette garantie ne s'applique qu'aux produits vendus au détail.

#### WEBER-STEPHEN PRODUCTS CO.

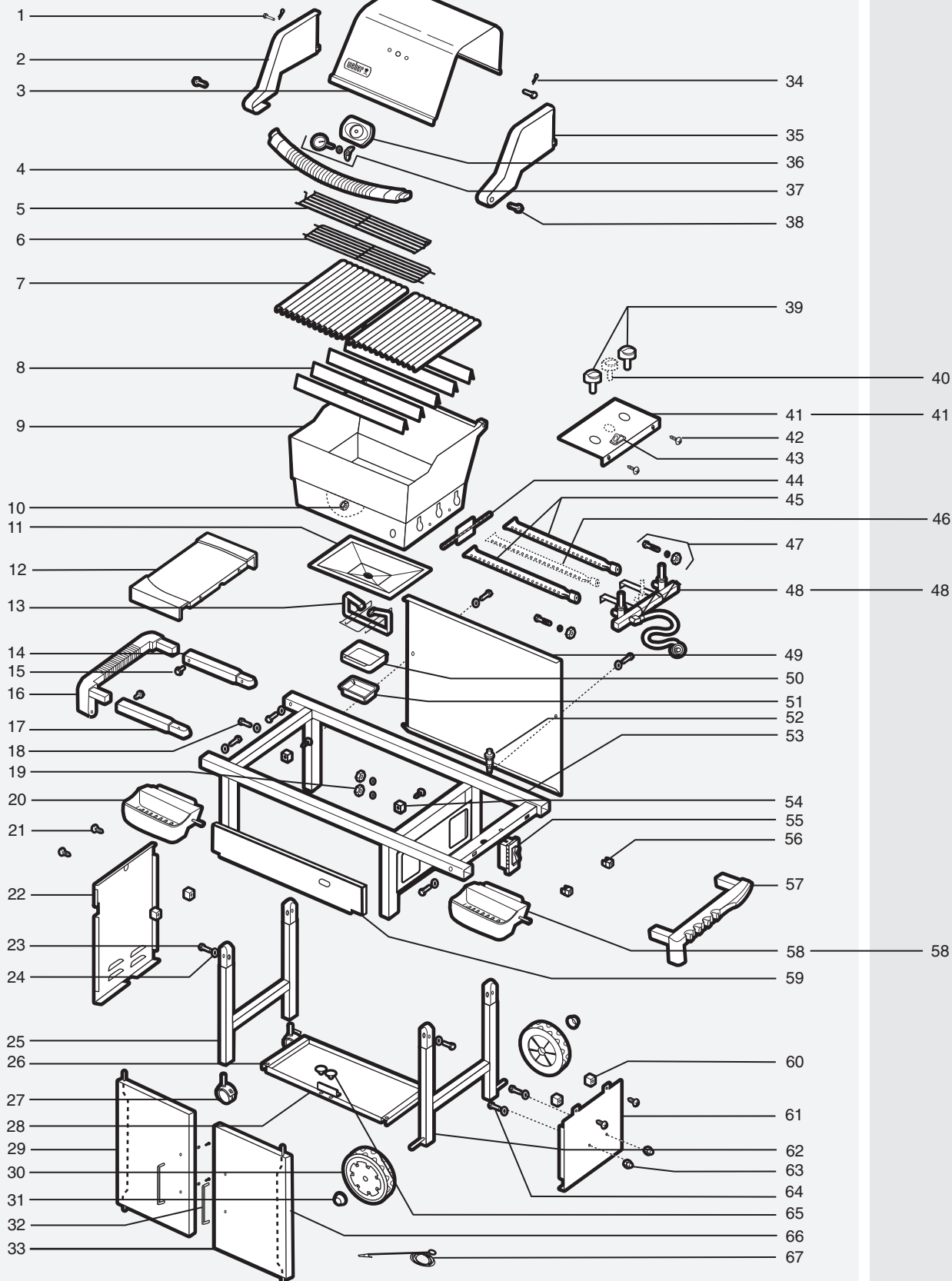
**Service à la clientèle**  
1890 Roselle Road, Suite 308  
Schaumburg, IL 60195  
États-Unis

Pour les pièces de rechange, appelez :  
1-800-446-1071  
www.weber.com®

SPIRIT® E/SP -210, E-310

SPIRIT®  
E/SP-310

3XX1001 - Spirit® Gas Grill LP 071406



- |   |  |   |   |
|---|--|---|---|
| 1. <b>Hinge Pin</b><br>Pasador de bisagra<br>Axe d'articulation   | 20. <b>Condiment Basket</b><br>Canastilla de condimentos<br>Panier à condiments  | 40. <b>Control Panel Knob</b><br>Perilla de control<br>Manette de réglage   | 58. <b>Condiment Basket</b><br>Canastilla de condimentos<br>Panier à condiments   |
| 2. <b>Left Endcap</b><br>Capacete izquierdo<br>Capuchon d'extrémité gauche  | 21. <b>Panel Hardware</b><br>Elementos de Panel<br>Boulonnerie de Panneau  | 41. <b>Control Panel</b><br>Panel de control<br>Panneau de commande   | 59. <b>Front Panel</b><br>Quegador delantero<br>Panneau avant   |
| 3. <b>Shroud</b><br>Cubierta<br>Protection  | 22. <b>Left Frame Panel</b><br>Tablero del bastidor izquierdo<br>Panneau du cadre gauche   | 42. <b>Control Panel Hardware</b><br>Tornillería del panel de control<br>(Destornillador Phillips y arandelas Visserie du panneau de commande (vis à empreinte cruciforme et rondelles) | 60. <b>Right Frame Panel Hardware</b><br>Elementos de Tablero del bastidor derecho<br>Boulonnerie de Panneau du cadre droit                 |
| 4. <b>Handle</b><br>Asa<br>Poignée  | 23. <b>1/4 - 20 x 1 inch Bolt</b><br>Pernos de 1/4"<br>(Pernos de 1/4" x 20 x 1/4")<br>Boulons de 1/4 po<br>(1/4 x 20 x 1/4 po)        | 43. <b>Crossover® Ignition Button</b><br>Botón del encendedor®<br>Bouton d'allumeur®  | 61. <b>Right Frame Panel</b><br>Tablero del bastidor derecho<br>Panneau du cadre droit  |
| 5. <b>Warm-Up™ Basket</b><br>Canasta Warm-Up™<br>Panier Warm-Up™  | 24. <b>Nylon Washer</b><br>Arandela de nilón<br>Rondelle en nylon  | 44. <b>Crossover® Tube</b><br>Tubo Crossover®<br>Tube Crossover®  | 62. <b>Wheel Frame</b><br>Bastidor para las ruedas<br>Châssis des roues   |
| 6. <b>Warming Rack</b><br>Parrilla para calentar<br>Grille de réchauffage   | 25. <b>Caster Frame</b><br>Bastidor para los rodillos<br>Châssis des roulettes   | 45. <b>Front/Rear Burner</b><br>Quegador frontal/trasero<br>Brûleur avant / arrière   | 63. <b>Cylinder Glides</b><br>Soportes de la bomba<br>Glissières de bouteille   |
| 7. <b>Cooking Grates</b><br>Parrilla para asar<br>Grilles de cuisson  | 26. <b>Door Bushing</b><br>Buje de puerta<br>Bague de porte  | 46. <b>Center Burner</b><br>Quegador Central<br>Brûleur central   | 64. <b>1/4 - 20 x 1 3/4 inch bolt</b><br>Pernos de 1 3/4"<br>(Pernos de 1/4" x 20 x 1 3/4")<br>Boulons de 1 3/4 po<br>(1/4 x 20 x 1 3/4 po) |
| 8. <b>Flavorizer® Bars</b><br>Barras Flavorizer®<br>Barres Flavorizer®  | 27. <b>Caster</b><br>Rodillo<br>Roulette   | 47. <b>Manifold Hardware</b><br>Tornillería del distribuidor<br>Boulonnerie de collecteur   | 65. <b>Door Glides</b><br>Deslizadores de la puerta<br>Glissières de la porte   |
| 9. <b>Cooking Box</b><br>Cámara para asar<br>Cuve   | 28. <b>Bottom Shelf</b><br>Estante inferior<br>Plateau inférieur   | 48. <b>Manifold, Hose and Regulator</b><br>Distribuidor, manguera y regulador<br>Collecteur, tuyau et détendeur   | 66. <b>Hinge Rods</b><br>Varilla articulada<br>Tige d'articulation  |
| 10. <b>1/4-20 Keps Nut</b><br>Tuerca de enclavamiento (Tuerca de enclavamiento de 1/4" x 20)<br>Écrou Keps (1/4 x 20)                       | 29. <b>Left Door</b><br>Puerta izquierda<br>Porte gauche   | 49. <b>Rear Panel</b><br>Panel trasero<br>Panneau arrière   | 67. <b>Matchlight Holder</b><br>Sujetador de Fósforo<br>Support d'allumage par allumette  |
| 11. <b>Slide-Out Bottom Tray</b><br>Bandeja del fondo<br>Plateau inférieur amovible   | 30. <b>Wheel</b><br>Ruedas<br>Roues  | 50. <b>Catch Pan</b><br>Bandeja para recoger el exceso de grasa<br>Lèchefrite   |   |
| 12. <b>Work Surface</b><br>Superficie de trabajo<br>Plan de travail   | 31. <b>Hubcap</b><br>Tapacubos<br>Couvre-moyeux  | 51. <b>Disposable Drip Pan</b><br>Bandejas recogegotas<br>Barquette jetable   |   |
| 13. <b>Catch Pan Holder</b><br>Soporte de la bandeja para recoger el exceso de grasa<br>Support de lèchefrite                               | 32. <b>Handle</b><br>Asa<br>Poignée  | 52. <b>Igniter</b><br>Encendedor<br>Allumeur  |   |
| 14. <b>Left Rear Trim Assembly Arm</b><br>Brazo de la estructura de ajuste trasera izquierda<br>Bras de la garniture arrière gauche         | 33. <b>Right Door</b><br>Puerta derecha<br>Porte droite  | 53. <b>Top Frame Assembly</b><br>Estructura de bastidor superior<br>Longeron de cadre de châssis sommet   |   |
| 15. <b>1/4 - 14 x 5/8 inch Bolt</b><br>Pernos de 5/8"<br>(Pernos de 1/4" x 14 x 5/8")<br>Boulons de 5/8 po<br>(1/4 x 14 x 5/8 po)           | 34. <b>Hair Pin Cotter</b><br>Pasador de horquilla<br>Goupille bêta  | 54. <b>Front Panel Hardware</b><br>Herrajes del tablero frontal<br>Matériel du panneau avant  |   |
| 16. <b>Left Trim Piece</b><br>Pieza de ajuste izquierda<br>Garniture gauche   | 35. <b>Right Endcap</b><br>Capacete derecho<br>Capuchon d'extrémité droite   | 55. <b>Fuel Gauge</b><br>Medidor del gas<br>Jauge de combustible  |   |
| 17. <b>Left Front Trim Assembly Arm</b><br>Left Front Trim Assembly Arm<br>Bras de la garniture avant gauche                                | 36. <b>Thermometer Bezel Assembly</b><br>Ensamblaje biselado para el termómetro<br>Montage de la collerette de fixation du thermomètre | 56. <b>Control Panel Hardware</b><br>Tornillería del panel de control<br>(Destornillador Phillips y arandelas Visserie du panneau de commande (vis à empreinte cruciforme et rondelles) |   |
| 18. <b>1/4 - 20 x 2 1/4 inch Bolt</b><br>Pernos de 2 1/4"<br>(Pernos de 1/4" x 20 x 2 1/4")<br>Boulons de 2 1/4 po<br>(1/4 x 20 x 2 1/4 po) | 37. <b>Thermometer Assembly</b><br>Termómetro<br>Thermomètre   | 57. <b>Right Trim Piece</b><br>Pieza de ajuste derecha<br>Garniture droite  |   |
| 19. <b>Fuel Gauge Hardware</b><br>Elementos de Medidor del gas<br>Boulonnerie de Jauge de combustible                                       | 38. <b>Handle Hardware</b><br>Elementos de Asa<br>Boulonnerie de Poignée   |   |   |
|   | 39. <b>Control Panel Knobs</b><br>Perilla de control<br>Manette de réglage   |   |   |

Your Weber® gas barbecue is a portable outdoor cooking appliance. With the Weber® gas barbecue you can grill, barbecue, roast and bake with results that are difficult to duplicate with indoor kitchen appliances. The closed lid and Flavorizer® Bars produce that “outdoor” flavor in the food.

The Weber® gas barbecue is portable so you can easily change its location in your yard or on your patio. Portability means you can take your Weber® gas barbecue with, if you move.

Liquid Propane (LP) gas supply is easy to use and gives you more cooking control than charcoal fuel.

- These instructions will give you the minimum requirements for assembling your Weber® gas barbecue. Please read the instructions carefully before using your Weber® gas barbecue. Improper assembly can be dangerous.
- Not for use by children.
- If there are local codes that apply to portable gas grills, you will have to conform to them. If there are no local codes, you must conform to the latest edition of the National Fuel Gas Code: ANSI Z 223.1/NFPA 54, or Natural Gas and Propane Installation Code, CSA B149.1, or Propane Storage and Handling Code, B149.2
- The pressure regulator supplied with the Weber® gas barbecue must be used. This regulator is set for 10.5 inches of water column (pressure).
- This Weber® gas barbecue is designed for use with liquid propane (LP) gas only. Do not use with natural (piped in city) gas. The valves, orifices, hose and regulator are for LP gas only.
- Do not use with charcoal fuel.
- Check that the area under the control panel and the bottom tray are free from debris that might obstruct the flow of combustion or ventilation air.
- The areas around the LP cylinder must be free and clear from debris.
- Replacement pressure regulators and hose assemblies must be those specified by the outdoor cooking gas appliance manufacturer.

#### FOR INSTALLATION IN CANADA

These instructions, while generally acceptable, do not necessarily comply with the Canadian Installation codes, particularly with piping above and below ground. In Canada the installation of this appliance must comply with local codes and/or Standard CSA-B149.2 (Propane Storage and Handling Code).

#### OPERATING

- ⚠ **WARNING: Only use this barbecue outdoors in a well-ventilated area. Do not use in a garage, building, breezeway or any other enclosed area.**
- ⚠ **WARNING: Your Weber® gas barbecue shall not be used under overhead combustible construction.**

#### COOKING

- ⚠ **WARNING: Do not move the Weber® gas barbecue when operating or while barbecue is hot.**

You can adjust the FRONT and BACK burners as desired. The control settings: High (H), Medium (M), Low (L), or OFF (O) are described in your Weber® cookbook. The cookbook uses these notations to describe the settings of the FRONT and BACK burners. For example, to sear steaks, you would set all burners at H (High). Then to complete cooking, you would set FRONT and BACK at M (Medium). Refer to your Weber® cookbook for detailed cooking instructions.

*Note: The temperature inside your cooking box for the first few uses, while surfaces are still very reflective, may be hotter than those shown in your cookbook. Cooking conditions. Such as wind and weather, may require the adjustment of the burner controls to obtain the correct cooking temperatures.*

**Preheating** - Your Weber® gas barbecue is an energy-efficient appliance. It operates at an economical low BTU rate. To preheat: after lighting, close lid and turn all burners to high (HH). Preheating to between 500° and 550° F (260° and 290° C) will take 10 to 15 minutes depending on conditions such as air temperature and wind.

**Drippings and grease** - The Flavorizer® bars are designed to “smoke” the correct amount of drippings for flavorful cooking. Excess drippings and grease will accumulate in the catch pan under the slide out bottom tray. Disposable foil drip pans are available that fit the catch pan.

#### STORAGE AND/OR NONUSE

- The gas must be turned off at the liquid propane cylinder when the Weber® gas barbecue is not in use.
- When the Weber® gas barbecue is stored indoors, the gas supply must be DISCONNECTED and the LP cylinder stored outdoors in a well-ventilated space.
- LP cylinder must be stored outdoors in a well-ventilated area out of reach of children. Disconnected LP cylinder must not be stored in a building, garage or any other enclosed area.
- When the LP cylinder is not disconnected from the Weber® gas barbecue, the appliance and LP tank must be kept outdoors in a well-ventilated space.
- The Weber® gas barbecue should be checked for gas leaks and any obstructions in the burner tubes before using. (See Sections: “General Maintenance and Annual Maintenance.”)
- Check that the areas under the control panel and the slide out bottom tray are free from debris that might obstruct the flow of combustion or ventilation air.
- The Spider/Insect Screens should also be checked for any obstructions. (See Section: “Annual Maintenance.”)

- ⚠ **WARNING: Your Weber® gas barbecue is not intended to be installed in or on recreational vehicles and/or boats.**
- ⚠ **WARNING: Do not use the barbecue within 24 inches of combustible materials to the back or sides of the grill.**
- ⚠ **WARNING: The entire cooking box gets hot when in use. Do not leave unattended.**
- ⚠ **WARNING: Keep any electrical supply cord and the fuel supply hose away from any heated surface.**
- ⚠ **WARNING: Keep the cooking area clear of flammable vapors and liquids such as gasoline, alcohol, etc., and combustible materials.**
- ⚠ **WARNING: Never store an extra (spare) LP cylinder under or near the Weber® gas barbecue.**
- ⚠ **WARNING: The LP cylinder used with your barbecue must be with a listed OPD (Overfilling Prevention Device) and a QCC1 or Type 1 (CGA810) cylinder connection. The cylinder connection must be compatible with the barbecue connection.**

- ⚠ **WARNING: Check the bottom tray for grease build-up before each use. Remove excess grease to avoid a grease fire in the slide out bottom tray.**

#### CLEANING

- ⚠ **WARNING: Turn your Weber® gas barbecue OFF and wait for it to cool before cleaning.**

**Outside surfaces** - Use a warm soapy water solution to clean, then rinse with water.

- ⚠ **CAUTION: Do not use oven cleaner, abrasive cleansers (kitchen cleansers) cleaners that contain citrus products, or abrasive cleaning pads on barbecue or cart surfaces.**

**Flavorizer® bars and Cooking grates** - Clean with a suitable brass bristle brush. As needed, remove from grill and wash with warm soapy water, then rinse with water.

**⚠ CAUTION: Do not clean your Flavorizer® bars or cooking grates in a self-cleaning oven.**

For availability of replacement cooking grates and Flavorizer® bars Contact the Customer Service Representative in your area using the contact information on our web site. Log onto [www.weber.com](http://www.weber.com)®.

**Slide out Bottom tray** - Remove excess grease, then wash with warm soapy water, then rinse.

**Catch pan** - Disposable foil trays are available, or you can line the catch pan with aluminum foil. To clean the catch pan, wash with warm soapy water, then rinse.

**Thermometer** - Wipe with warm soapy water; clean with plastic scrub ball.

**Inside cooking module** - Brush any debris off of burner tubes. **DO NOT ENLARGE BURNER PORTS (OPENINGS)**. Wash inside of cooking box with warm soapy water and a water rinse.

**Inside Lid** - While lid is warm, wipe inside with paper towel to prevent grease build-up. Flaking built-up grease resembles paint flakes.

**Stainless steel surfaces - Preserve Your Stainless Steel** - Your grill or its cabinet, lid, control panel and shelves may be made from stainless steel. In order to keep the stainless steel looking its best is easy. Simply clean it with soap and water, rinse with clean water and wipe dry. A non-metallic brush can be used for stubborn stains.

**⚠ IMPORTANT: Do not use wire brushes or abrasive cleaners on the stainless steel surfaces of your grill, as this will leave scratches.**

**⚠ IMPORTANT: Do not use cleaners that contain chlorine bleach on the stainless steel surface of your grill.**

**⚠ IMPORTANT: When cleaning surfaces, be sure to rub/wipe in the direction of the grain to preserve the look of your stainless steel.**

**Thermoset surfaces** - Wash with a soft cloth and a soap and water solution.

**Do not use cleaners that contain acid, mineral spirits or xylene. Rinse well after cleaning.**

**Thermoset work surfaces are not to be used as cutting boards.**

## GAS INSTRUCTIONS

**IMPORTANT LP CYLINDER INFORMATION**

Failure to follow these **DANGER** statements exactly may result in a fire causing death or serious injury.

**⚠ DANGER**

- ⚠ NEVER store a spare LP Cylinder under or near this barbecue.**
- ⚠ NEVER fill the tank beyond 80% full.**

Your Weber® gas grill is equipped for a cylinder supply system designed for vapor withdrawal.

**⚠ WARNING: Only use this grill outdoors in a well-ventilated area. Do not use in a garage, building, breezeway or any other enclosed area.**

The proper filling methods for the filling of your cylinder are by weight or volume, as described in NFPA 58. Please make sure your filling station fills your LP cylinder by weight or volume. Ask your filling station to read purging and filling instructions on the LP cylinder before attempting to fill.

**LEAK CHECK PREPARATION****CHECK THAT ALL BURNER VALVES ARE OFF**

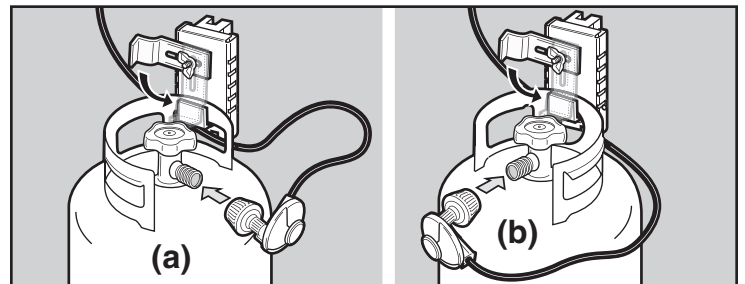
Valves are shipped in the OFF position, but you should check to be sure that they are turned off. Check by pushing down and turning clockwise. If they do not turn, they are off. Proceed to the next step. If they do turn continue turning them clockwise until they stop, then they are off. Proceed to the next step.

**CONNECTING THE LIQUID PROPANE CYLINDER**

**⚠ WARNING: Make sure that the LP cylinder valve is closed. Close by turning valve clockwise.**

**⚠ DANGER**

**Do not use an open flame to check for gas leaks. Be sure there are no sparks or open flames in the area while you check for leaks. Sparks or flames will result in a fire or explosion which can cause serious bodily injury or death, and damage to property.**



Some LP tanks have differing top collar assemblies. (The top collar is the metal protective ring around the valve.) One series of tanks mount with the valve facing front (a). The other tanks mount with the valve facing away from the fuel scale (b).

You will need: LP cylinder, a soap and water solution and a rag or brush to apply it.

- 1) Turn the LP cylinder so the opening of the valve is either to the front, side or rear of the Weber® gas barbecue. Lift and hook the cylinder onto the fuel gauge.
- 2) Loosen the cylinder lock wing nut. Swing the cylinder lock down. Tighten the wing nut.

**To Connect the hose to the cylinder:**

- 3) Remove the plastic dust cover from the valve.
- 4) Screw the regulator coupling onto the tank valve, clockwise, or to the right. Hand-tighten only.

*Note: This is a new type of connection. It tightens clockwise and will not allow gas to flow unless the connection is tight. The connection requires tightening by hand only.*

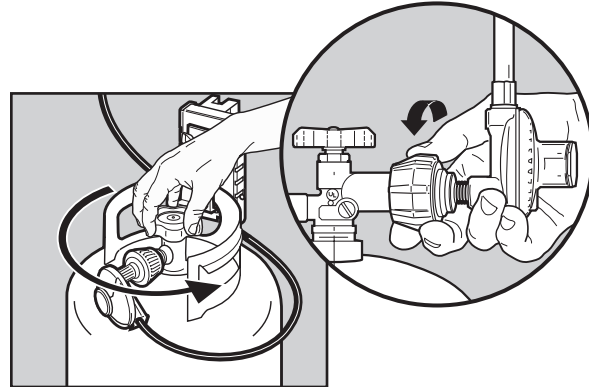
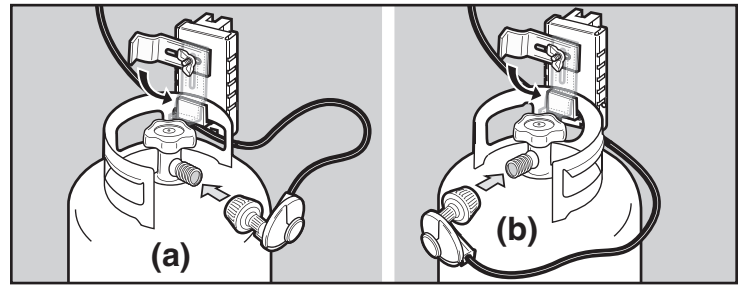
**⚠ WARNING: Do not use a wrench to tighten the connection. Using a wrench could damage the regulator coupling and could cause a leak.**

- 5) Mix soap and water.
- 6) Turn on the cylinder valve.
- 7) Check for leaks by wetting the fitting with the soap and water solution and watching for bubbles. If bubbles form, or if a bubble grows, there is a leak.

If there is a leak, turn off the gas and tighten the fitting. Turn the gas back on and recheck with the soap and water solution.

If leak does not stop, Contact the Customer Service Representative in your area using the contact information on our web site. Log onto [www.weber.com](http://www.weber.com)®. Do not use the barbecue.

- 8) When leak checking is complete, turn gas supply off at the source and rinse connections with water.



**REMOVE CONTROL PANEL AND BURNER CONTROL KNOBS**

You will need: Phillips screwdriver.

- 1) Remove control knobs.
- 2) Remove screws with a Phillips screwdriver
- 3) Pull up igniter button until it sticks in the up position and remove control panel from grill.
- 4) Replace control panel when Leak Check is completed.

**CHECK FOR GAS LEAKS**

**⚠ DANGER**

**Do not use an open flame to check for gas leaks. Be sure there are no sparks or open flames in the area while you check for leaks. Sparks or open flames will result in a fire or explosion, which can cause serious bodily injury or death and damage to property.**

**⚠ WARNING: You should check for gas leaks every time you disconnect and reconnect a gas fitting.**

*Note: All factory-made connections have been thoroughly checked for gas leaks. The burners have been flame-tested. As a safety precaution however, you should recheck all fittings for leaks before using your Weber Gas Barbecue. Shipping and handling may loosen or damage a gas fitting.*

**⚠ WARNING: Perform these leak checks even if your barbecue was dealer or store assembled.**

You will need: a soap and water solution, and a rag or brush to apply it.

*Note: Since some leak test solutions, including soap and water, may be slightly corrosive, all connections should be rinsed with water after checking for leaks.*

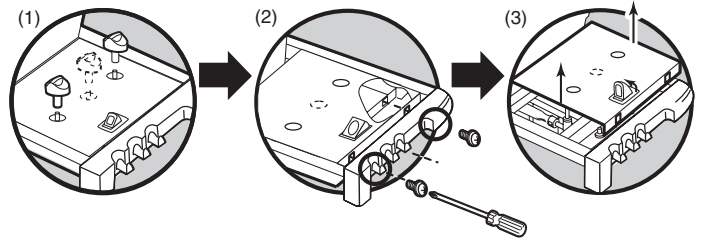
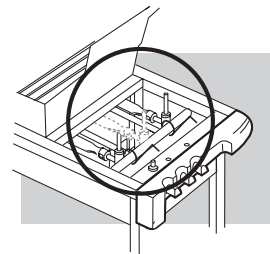
Make sure side burner is off.

To perform leak checks: open cylinder valve by turning the cylinder valve hand-wheel counterclockwise.

**⚠ WARNING: Do not ignite burners when leak checking.**

Check for leaks by wetting the connections with the soap and water solution and watching for bubbles. If bubbles form or if a bubble grows, there is a leak.

**SPIRIT E/SP-210 & 310**





**Check:**

- 1) Hose-to-manifold connection.
- 2) Regulator-to-Cylinder connection.

**⚠ WARNING: If there is a leak at connection (1), retighten the fitting with a wrench and recheck for leaks with soap and water solution. If a leak persists after retightening the fitting, turn OFF the gas. DO NOT OPERATE THE GRILL. Contact the Customer Service Representative in your area using the contact information on our web site. Log onto [www.weber.com](http://www.weber.com).**

**Check:**

- 3) Valves-to-manifold connections.
- 4) The hose-to-regulator connection.

**⚠ WARNING: If there is a leak at connections (2), (3) or (4), turn OFF the gas. DO NOT OPERATE THE GRILL. Contact the Customer Service Representative in your area using the contact information on our web site. Log onto [www.weber.com](http://www.weber.com).**

When leak checks are complete, turn gas supply off at the source and rinse connections with water.

### REFILLING THE LIQUID PROPANE CYLINDER

We recommend that you refill the LP cylinder before it is completely empty. Removal of the LP cylinder

- 1) Close cylinder valve (turn clockwise).
- 2) Unscrew regulator coupling by turning counterclockwise, by hand only.
- 3) Loosen cylinder lock wing nut and turn cylinder lock up out of the way.
- 4) Lift cylinder off.

To refill, take LP cylinder to a "Gas Propane" dealer.

**⚠ WARNING: We recommend that your LP cylinder be filled at an authorized LP gas dealer, by a qualified attendant, who fills the cylinder by weight. IMPROPER FILLING IS DANGEROUS.**

**⚠ CAUTION: Place dust cap on cylinder valve outlet whenever the cylinder is not in use. Only install the type of dust cap on the cylinder valve outlet that is provided with the cylinder valve. Other types of caps or plugs may result in leakage of propane.**

### CHECKING THE FUEL LEVEL IN YOUR TANK

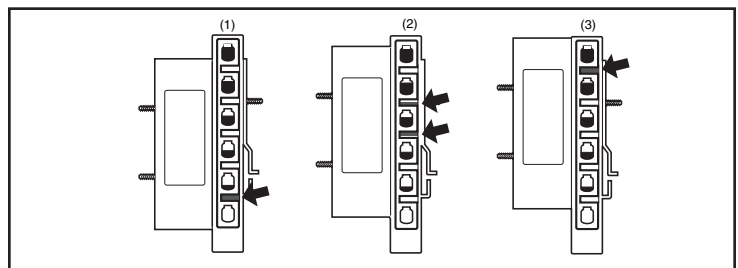
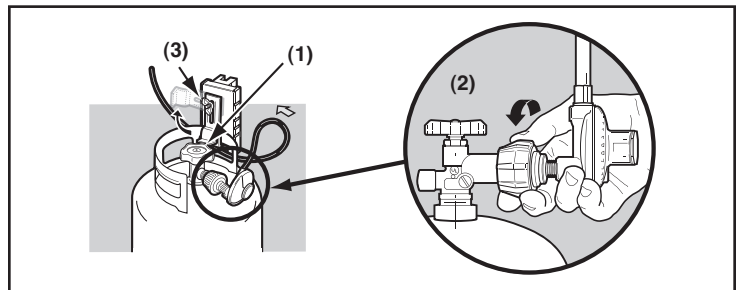
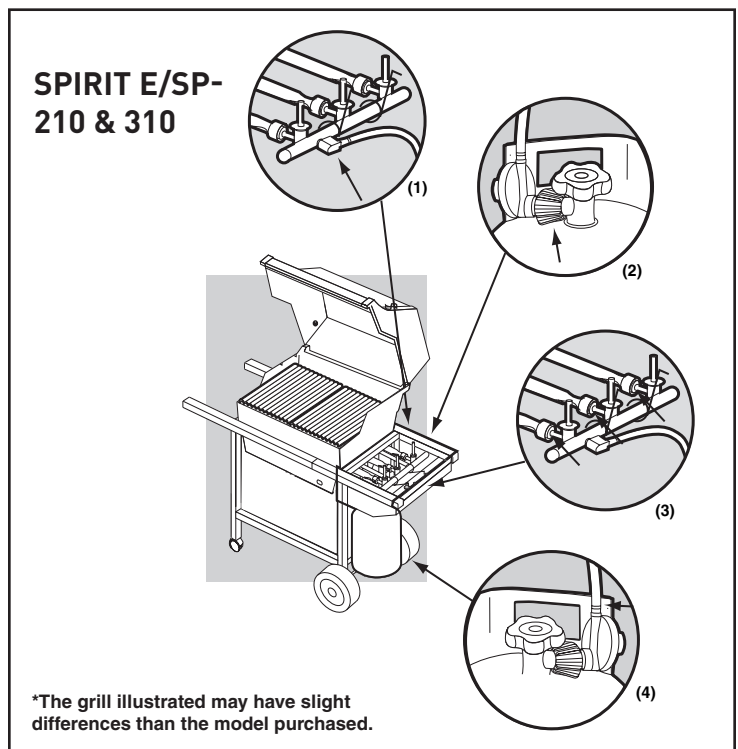
Check the fuel level by viewing the color indicator level line on the side of the tank scale.

- 1) Empty
- 2) Medium
- 3) Full

### SAFE HANDLING TIPS FOR LIQUID PROPANE GAS CYLINDERS

- Liquid Propane (LP) gas is a petroleum product as are gasoline and natural gas. LP gas is a gas at regular temperatures and pressures. Under moderate pressure, inside a cylinder, LP gas is a liquid. As the pressure is released, the liquid readily vaporizes and becomes gas.
- LP gas has an odor similar to natural gas. You should be aware of this odor.
- LP gas is heavier than air. Leaking LP gas may collect in low areas and prevent dispersion.
- To fill, take the LP cylinder to an RV center, or look up "gas-propane" in the phone book for other sources of LP gas.

**⚠ WARNING: We recommend that your LP cylinder be filled at an authorized LP gas dealer, by a qualified attendant, who fills the tank by weight. IMPROPER FILLING IS DANGEROUS.**



- Air must be removed from a new LP cylinder before the initial filling. Your LP dealer is equipped to do this.
- The LP cylinder must be installed, transported and stored in an upright position. LP cylinders should not be dropped or handled roughly.
- Never store or transport the LP cylinder where temperatures can reach 125° F (too hot to hold by hand - for example: do not leave the LP cylinder in a car on a hot day).  
*Note: A refill will last about 20 hours of cooking time at normal use. The fuel scale will indicate the propane supply so you can refill before running out. You do not have to run out before you refill.*
- Treat "empty" LP cylinders with the same care as when full. Even when the LP tank is empty of liquid there still may be gas pressure in the cylinder. **Always close the cylinder valve before disconnecting.**

**⚠ CAUTION: Place dust cap on cylinder valve outlet whenever the cylinder is not in use. Only install the type of dust cap on the cylinder valve outlet that is provided with the cylinder valve. Other types of caps or plugs may result in leakage of propane.**

- Do not use a damaged LP cylinder. Dented or rusty LP cylinders or LP cylinders with a damaged valve may be hazardous and should be replaced with a new one immediately.

#### Liquid Propane (LP) Cylinder(s)

- The joint where the hose connects to the LP cylinder must be leak tested each time the LP cylinder is reconnected. For example, test each time the LP cylinder is refilled.
- Be sure the regulator is mounted with the small vent hole pointed downward so that it will not collect water. This vent should be free of dirt, grease, bugs etc.
- The gas connections supplied with your Weber® gas barbecue have been designed and tested to meet 100% CSA and ANSI requirements.

**⚠ WARNING: Replacement LP tanks must match the regulator connection supplied with this barbecue.**

#### Liquid Propane Cylinder requirements

- Check to be sure cylinders have a D.O.T. certification (1), and date tested (2) is within five years. Your LP gas supplier can do this for you.
- All LP tank supply systems must include a collar to protect the cylinder valve.
- The LP cylinder must be a 20-lb. size approximately (18¼ inches high, 12¼ inches in diameter).

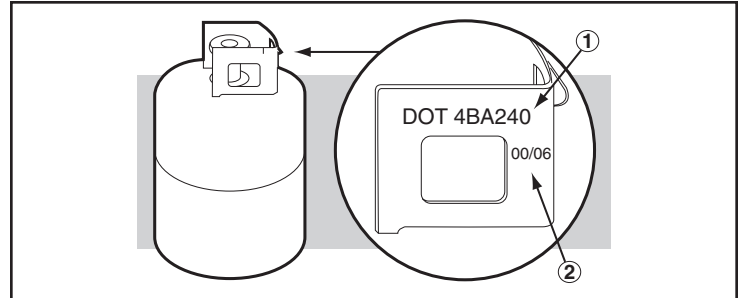
- The cylinder should be constructed and marked in accordance with the Specifications for LP - Gas Cylinders of the U.S. Department of Transportation (D.O.T.) or the National Standard of Canada, CAN/CSA-B339, Cylinders, Spheres and Tubes or Transportation of Dangerous Goods; and Commission, as applicable.

#### In Canada

#### Liquid Propane Cylinder requirements

*Note: Your retailer can help you match a replacement tank to your barbecue.*

- The LP cylinder must be constructed and marked in accordance with the specifications for LP gas cylinders, T.C.



## OPERATING INSTRUCTIONS

### LIGHTING

*Summary lighting instructions are on the control panel.*

#### ⚠ DANGER

Failure to open the lid while igniting the barbecue's burners, or not waiting 5 minutes to allow the gas to clear if the barbecue does not light, may result in an explosive flame-up which can cause serious bodily injury or death.

### Crossover® Ignition System

*Note: The Crossover® ignition system ignites the Front burner with a spark from the igniter electrode inside the Gas Catcher™ ignition chamber. You generate the energy for the spark by pushing the Crossover® ignition button until it clicks.*

- ⚠ WARNING: Check hose before each use of barbecue for nicks, cracking, abrasions or cuts. If the hose is found to be damaged in any way, do not use the barbecue. Replace using only Weber® authorized replacement hose. Contact the Customer Service Representative in your area using the contact information on our web site. Log onto [www.weber.com](http://www.weber.com).**

- Open the lid.
- Make sure all burner control knobs are turned to OFF. (Push control knob down and turn clockwise to ensure that it is in the OFF position.)

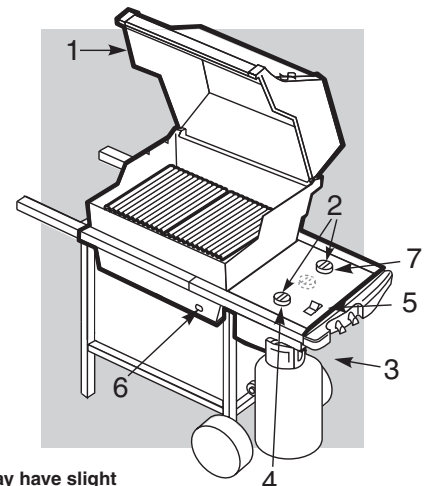
- ⚠ WARNING: The burner control knobs must be in the OFF position before turning on the liquid propane cylinder tank valve. If they are not in the OFF position, when you turn on the LP cylinder valve, the "excess gas flow control" feature will activate, limiting the flow of gas from the LP cylinder. If this should occur, turn off the LP cylinder valve and burner control knobs. Then start over.**

#### ⚠ DANGER:

When the "excess gas flow control" feature is activated, a small amount of gas is still flowing to the burners. After turning OFF the cylinder valve, wait at least 5 minutes for the gas to clear before attempting to light the barbecue. Failure to do so may result in an explosive flame-up, which can cause serious bodily injury or death.

### MAIN BURNER LIGHTING

#### SPIRIT E/SP-210 & 310



*\*The grill illustrated may have slight differences than the model purchased.*

3) Turn the cylinder on by slowly turning the cylinder valve counter-clockwise.

**⚠ WARNING: Do not lean over the open barbecue. Keep your face and body at least one foot away from the matchlight hole when lighting the barbecue.**

4) Push Front burner control knob down and turn to START/Hi.

5) Push the Crossover<sup>®</sup> ignition button several times, so it clicks each time.

6) Check that the burner is lit by looking through the matchlight hole on the front of the cooking box. You should see a flame.

**⚠ WARNING: If the burner does not light, turn the Front burner control knob to OFF and wait 5 minutes to let the gas clear before you try again or try to light with a match.**

7) After the FRONT burner is lit you can turn on the other burner or burners.

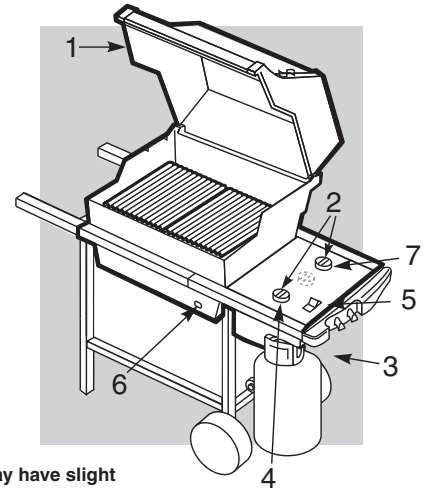
*Note: Always light the FRONT burner first. The other burner or burners ignite from the FRONT burner.*

### TO EXTINGUISH

Push down and turn each burner control knob clockwise to the OFF position. Turn gas supply off at the source.

### MAIN BURNER LIGHTING

**SPIRIT E/SP-210 & 310**



\*The grill illustrated may have slight differences than the model purchased.

### MANUAL LIGHTING

#### **⚠ DANGER**

Failure to open the lid while igniting the barbecue's burners, or not waiting 5 minutes to allow the gas to clear if the barbecue does not light, may result in an explosive flame-up which can cause serious bodily injury or death.

1) Open the lid.

2) Make sure all burner control knobs are turned to OFF. (Push each knob down and turn clockwise to ensure they are in the OFF position.)

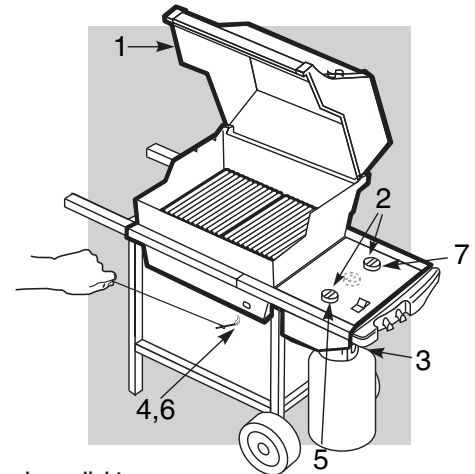
**⚠ WARNING: The burner control knobs must be in the OFF position before turning on the liquid propane cylinder valve. If they are not in the OFF position, when you turn on the LP cylinder valve, the "excess gas flow control" feature will activate, limiting the flow of gas from the LP cylinder. If this should occur, turn off the LP tank valve and burner control knobs. Then start over.**

#### **⚠ DANGER**

When the "excess gas flow control" feature is activated, a small amount of gas is still flowing to the burners. After turning OFF the cylinder and burner control knobs, wait at least 5 minutes for the gas to clear before attempting to light the barbecue. Failure to do so may result in an explosive flame-up, which can cause serious bodily injury or death.

### MAIN BURNER LIGHTING

**SPIRIT E/SP-210 & 310**



\*The grill illustrated may have slight differences than the model purchased.

- 3) Turn the cylinder on by turning the cylinder valve counterclockwise.  
 4) Insert match holder with lit match into the matchlight hole in the front of the cooking box.

**⚠ WARNING: Do not lean over open barbecue. Keep your face and body at least one foot away from the matchlight hole when lighting the barbecue.**

- 5) Push Front burner control knob down and turn to START/HI.  
 6) Check that the burner is lit by looking through the matchlight hole on the front of the cooking box. You should see a flame

**⚠ WARNING: If the burner does not light, turn the Front burner control knob to OFF and wait 5 minutes to let the gas clear before you try again or try to light with a match.**

- 7) After the FRONT burner is lit you can turn on the other burner.

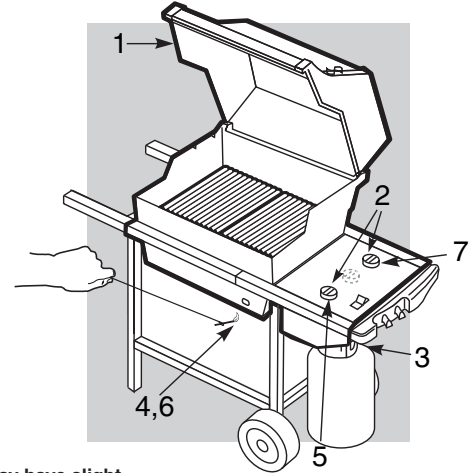
*Note: Always light the FRONT burner first. The other burner or burners ignite from the FRONT burner.*

### TO EXTINGUISH

Push down and turn each burner control knob clockwise to the OFF position. Turn gas supply off at the source.

### MAIN BURNER LIGHTING

**SPIRIT E/SP-210 & 310**



\*The grill illustrated may have slight differences than the model purchased.

## TROUBLESHOOTING

PROBLEM	CHECK	CURE
Burners burn with a yellow or orange flame, in conjunction with the smell of gas.	Inspect Spider / Insect Screens for possible obstructions. (Blockage of holes.)	Clean Spider / Insect Screens. (See Section "Annual Maintenance")
<b>Symptoms:</b> Burners do not light. -or- Burners have a small flickering flame in the HI position. -or- Barbecue temperature only reaches 250° to 300° in the HI position.	The excess flow safety device, which is part of the barbecue to cylinder connection, may have activated.	To reset the excess flow safety device turn all burner control knobs and the cylinder valve to OFF. Disconnect the regulator from the cylinder. Turn burner control knobs to HI. Wait at least 1 minute. Turn burner control knobs to OFF. Reconnect the regulator to the cylinder. Turn cylinder valve on slowly. Refer to "Lighting Instructions".
Burner does not light, or flame is low in HI position.	Is LP fuel low or empty?	Refill LP cylinder.
	Is fuel hose bent or kinked?	Straighten fuel hose.
	Does the Left burner light with a match?	If you can light the Left burner with a match, then check the Crossover® ignition system.
Experiencing flare-ups:  <b>⚠ CAUTION: Do not line the bottom tray with aluminum foil.</b>	Are you preheating barbecue in the prescribed manner?	All burners on high for 10 to 15 minutes for preheating.
	Are the cooking grates and Flavorizer® bars heavily coated with burned-on grease?	Clean thoroughly. (See Section "Cleaning")
	Is the bottom tray "dirty" and not allowing grease to flow into catch pan?	Clean bottom tray
Burner flame pattern is erratic. Flame is low when burner is on HI. Flames do not run the whole length of the burner tube.	Are burners clean?	Clean burners. (See Section "Maintenance".)
Inside of lid appears to be "peeling." (Resembles paint peeling.)	The lid is stainless steel, not paint. It cannot "peel". What you are seeing is baked on grease that has turned to carbon and is flaking off. <b>THIS IS NOT A DEFECT.</b>	Clean thoroughly. (See Section "Cleaning".)
If problems cannot be corrected by using these methods, please contact the Customer Service Representative in your area using the contact information on our web site. Log onto <a href="http://www.weber.com">www.weber.com</a> ®.		

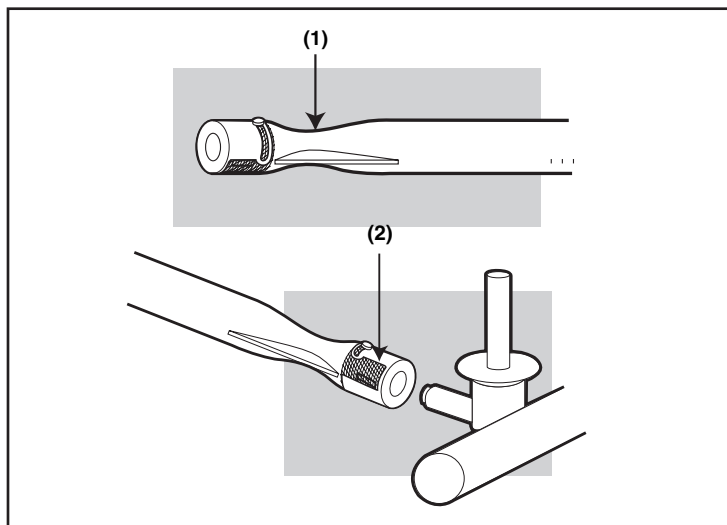
## WEBER® SPIDER /INSECT SCREENS

Your Weber® gas barbecue, as well as any outdoor gas appliance, is a target for spiders and other insects. They can nest in the venturi section (1) of the burner tubes. This blocks the normal gas flow, and can cause the gas to flow back out of the combustion air opening. This could result in a fire in and around the combustion air openings, under the control panel, causing serious damage to your barbecue.

The burner tube combustion air opening is fitted with a stainless steel screen (2) to prevent spiders and other insects access to the burner tubes through the combustion air openings.

**We recommend that you inspect the Spider/Insect screens at least once a year. (See Section “Annual Maintenance”.) Also inspect and clean the the Spider/Insect screens if any of the following symptoms should ever occur:**

- 1) The smell of gas in conjunction with the burner flames appearing yellow and lazy.
- 2) Barbecue does not reach temperature.
- 3) Barbecue heats unevenly.
- 4) One or more of the burners do not ignite.



### ⚠ DANGER

**Failure to correct the above mentioned symptoms may result in a fire, which can cause serious bodily injury or death, and cause damage to property.**

## ANNUAL MAINTENANCE

### Inspection and cleaning of the Spider/Insect screens

To inspect the Spider/Insect screens, remove the control panel. If there is dust or dirt on the screens, remove the burners for cleaning the screens.

Brush the Spider/Inspect screens, lightly, with a soft bristle brush (i.e. an old toothbrush).

**⚠ CAUTION: Do not clean the Spider/Insect screens with hard or sharp tools. Do not dislodge the Spider/Insect screens or enlarge the screen openings.**

Lightly tap the burner to get debris and dirt out of the burner tube. Once the Spider/Insect screens and burners are clean replace the burners.

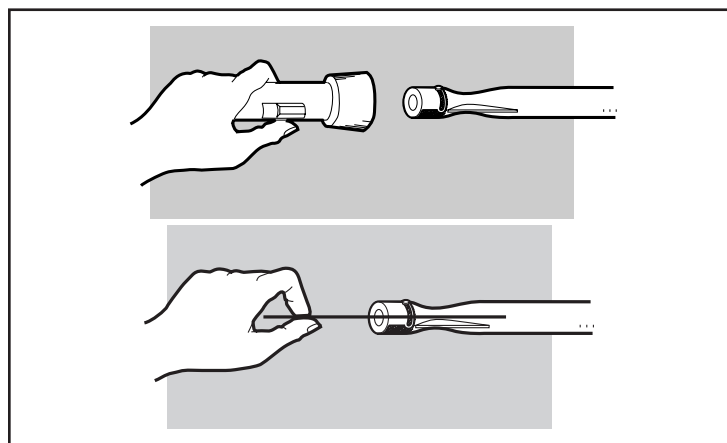
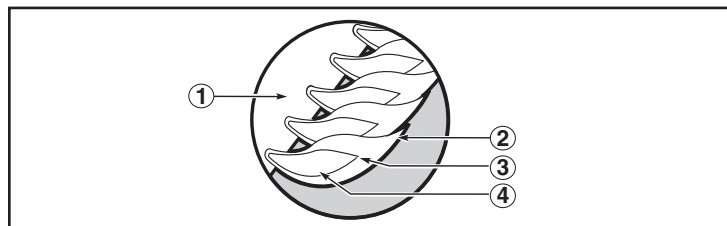
If the Spider/Insect screen becomes damaged or cannot be cleaned, please contact the Customer Service Representative in your area using the contact information on our web site. Log onto [www.weber.com](http://www.weber.com).

## MAIN BURNER FLAME PATTERN

The Weber® gas barbecue burners have been factory set for the correct air and gas mixture. The correct flame pattern is shown.

- 1) Burner tube
- 2) Tips occasionally flicker yellow
- 3) Light blue
- 4) Dark blue

If the flames do not appear to be uniform throughout the burner tube, follow the burner cleaning procedures.



## MAIN BURNER CLEANING PROCEDURE

### Turn off the gas supply.

Remove the manifold (See “Replace Main Burners”).

Look inside each burner with a flashlight.

Clean the inside of the burners with a wire (a straightened-out coat hanger will work).

Check and clean the air shutter opening at the ends of the burners. Check and clean the valve orifices at the base of the valves. Use a Steel bristle brush to clean outside of burners. This is to make sure all the burner ports are fully open.

**⚠ CAUTION: Do not enlarge the burner ports when cleaning.**

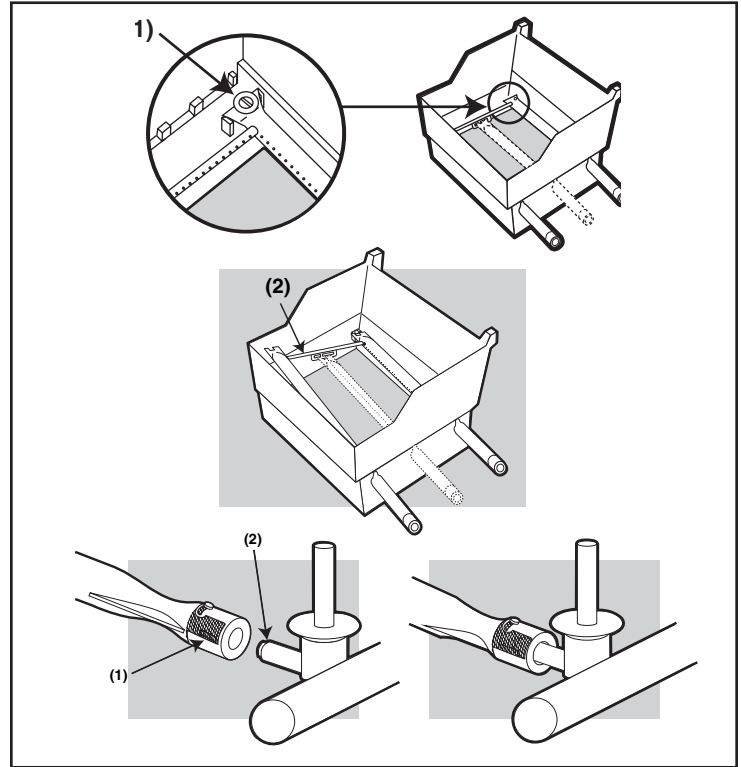
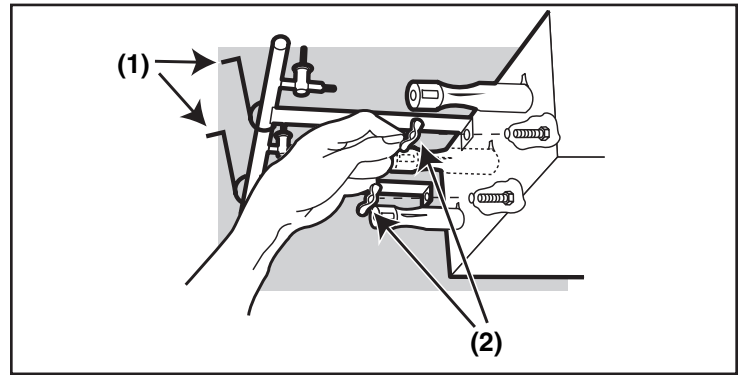
**REPLACING MAIN BURNERS**

- 1) Your Weber® gas barbecue must be off and cool.
- 2) Turn gas off at source.
- 3) To remove control panel: take off the burner control knobs. Remove the screws holding the control panel in place. Lift off the control panel.
- 4) Unhook the manifold bracket (1) and unscrew the two wing nuts (2) that hold the manifold to the cooking box. Pull the manifold and valve assembly out of the burners and carefully set it down.
- 5) Slide the burner assembly out from under the guide screw and washer (1) in the corners of the cooking box.
- 6) Lift and twist the burner assembly slightly, to separate the crossover tube (1) from the burners. Remove the burners from the cooking box.
- 7) To reinstall the burners, reverse 3) through 7).

**⚠ CAUTION: The burner openings (1) must be positioned properly over the valve orifices (2).**

Check proper assembly before fastening manifold in place.

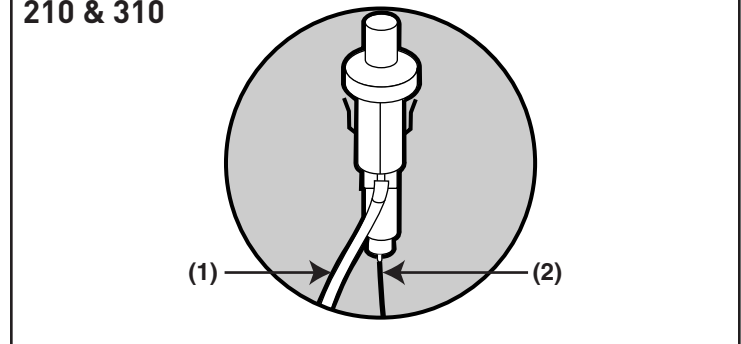
**⚠ WARNING: After reinstalling the gas lines, they should be leak checked with a soap and water solution before using the barbecue. (See Step: "Check for gas leaks.")**

**CROSSOVER® IGNITION SYSTEM OPERATIONS**

If the Crossover® ignition system fails to ignite the Front burner, light the Front burner with a match. If the Front burner lights with a match, then check the Crossover® ignition system.

- Check that both the white (1) and black (2) ignition wires are attached properly.
- Check that the Crossover® ignition button pushes the igniter (button) down, and returns to the up position.

**If the Crossover® ignition system still fails to light, contact the Customer Service Representative in your area using the contact information on our web site. Log onto [www.weber.com](http://www.weber.com)®.**

**SPIRIT E/SP-210 & 310**

# SPIRIT®



## GAS GRILL

Guía del Propietario de la Barbacoa o Asador de Gas Propano Licuado

E -210/310  
SP-210/310

#89525



TIENE QUE LEER LA GUÍA DEL PROPIETARIO ANTES DE OPERAR LA BARBACOA O ASADOR DE GAS

### ⚠ PELIGRO

Si huele a gas:

1. Cierre la llave del gas.
2. Apague todas las llamas.
3. Abra la tapa.
4. Si continúa el olor, no se acerque a la barbacoa o asador y llame inmediatamente a su proveedor de gas o al cuerpo de bomberos.

Un escape de gas puede causar un incendio o una explosión que pueden producir lesiones graves o la muerte, o daños materiales.

### ⚠ ADVERTENCIA:

1. No guarde ni use gasolina u otros gases o líquidos inflamables cerca de este aparato o de cualquier otro.
2. Una bombona o cilindro de gas desconectada no debe guardarse nunca cerca de este aparato o de cualquier otro.

⚠ **ADVERTENCIA:** Antes de encender la barbacoa o asador siga cuidadosamente todos los procedimientos de comprobación de escapes de gas de este manual, aun cuando el concesionario haya hecho el montaje de la barbacoa o asador.

⚠ **ADVERTENCIA:** No trate de encender la barbacoa o asador de gas Weber antes de leer las instrucciones de la sección de "Encendido" de este manual.

**INFORMACIÓN PARA EL MONTADOR:** Este manual debe entregarse al propietario de la barbacoa o asador para que pueda usarlo siempre que lo necesite.

**SÓLO PARA USARSE AL AIRE LIBRE.**



**⚠ PELIGRO**

El hacer caso omiso de los avisos de Peligros, Advertencias y Precauciones contenidos en este Manual del Propietario pudiera resultar en lesiones corporales serias o la muerte, o en un fuego o explosión que cause daños a la propiedad.

**⚠ ADVERTENCIAS**

- ⚠ No almacene un tanque de propano licuado desconectado o de repuesto debajo o cerca de esta barbacoa o asador.
- ⚠ El ensamblaje incorrecto puede ser peligroso. Por favor siga cuidadosamente las instrucciones de ensamblaje en este manual.
- ⚠ Tras haber estado guardada o sin uso por algún tiempo, antes de usar la barbacoa o asador de gas Weber® verifique que no existan fugas de gas o obstrucciones en el quemador. Vea en este manual las instrucciones para los procedimientos correctos.
- ⚠ No opere la barbacoa o asador de gas Weber® si existe una fuga de gas.
- ⚠ No utilice una llama abierta para comprobar la existencia de fugas de gas.
- ⚠ Nunca debe haber materiales combustibles a una distancia menor de 60 centímetros de la parte superior, inferior, trasera o lateral de su barbacoa o asador de gas Weber®.
- ⚠ No coloque una funda para barbacoa o asador ni cualquier otra cosa inflamable sobre o dentro del área de almacenaje ubicada debajo e la barbacoa o asador.
- ⚠ Nunca deje que los niños usen la barbacoa o asador de gas Weber®. Algunas partes accesibles de la barbacoa o asador pudieran estar muy calientes. Mantenga alejados a los niños pequeños mientras éste se esté usando.
- ⚠ Usted debe proceder con razonable cuidado al usar su barbacoa o asador de gas Weber®. Estará caliente al cocinar o limpiar la misma, y nunca deberá dejarse desatendida o moverse mientras esté funcionando.
- ⚠ Si llegasen a apagarse los quemadores, cierre todas las válvulas de gas. Abra la tapa y espere cinco minutos antes de tratar de volver a encender la barbacoa o asador, usando las instrucciones de encendido en este manual.
- ⚠ No use carbón o piedra pómez en su barbacoa o asador de gas Weber®.
- ⚠ No se incline sobre la barbacoa o asador abierta o coloque las manos o dedos en el borde delantero de la caja de cocción.
- ⚠ Si la grasa llegase a agarrar fuego, apague todos los quemadores y mantenga la tapa cerrada hasta que se haya apagado el fuego.
- ⚠ Al limpiar las válvulas o los quemadores, no ensanche los orificios de las válvulas o las aberturas de los quemadores.
- ⚠ La barbacoa o asador de gas Weber® deberá limpiarse a fondo regularmente.
- ⚠ El propano licuado no es gas natural. El uso de gas natural en una unidad de propano licuado o viceversa, propano licuado en una de gas natural, es peligroso y anulará su garantía.
- ⚠ Mientras esté funcionando la barbacoa o asador, no trate de desconectar ninguna conexión de gas.
- ⚠ Mientras opere la barbacoa o asador, utilice guantes resistentes al calor.
- ⚠ Mantenga alejados de todas las superficie calientes a todo cordón eléctrico y a la manguera de suministro de combustible.
- ⚠ Los subproductos de la combustión producidos al usar este producto contienen sustancias químicas que son conocidas por el Estado de la California como causantes de cáncer, defectos de nacimiento, u otros daños reproductivos.
- ⚠ No use esta barbacoa o asador a menos que todas sus partes estén colocadas en su sitio. La unidad debe estar correctamente ensamblada según las instrucciones indicadas en las "Instrucciones de ensamblaje".

**ÚNICAMENTE UNIDADES DE GAS PROPANO LICUADO**

- ⚠ Use el regulador que se suministra con su barbacoa o asador de gas Weber®.
- ⚠ No trate de desconectar el regulador de gas o ninguna conexión de gas mientras la barbacoa o asador esté funcionando.
- ⚠ Un cilindro de propano licuado abollado u oxidado pudiera ser peligroso y deberá ser revisado por su suplidor de propano licuado. No utilice ningún cilindro de propano licuado con una válvula dañada.
- ⚠ Aunque su cilindro de propano licuado pudiera aparentar estar vacío, algo de gas pudiera aún estar presente, por lo que el cilindro deberá transportarse y almacenarse tomando esta posibilidad en consideración.
- ⚠ Si usted ve, huele o escucha el silbido de un escape de gas del cilindro de propano licuado:

1. Apártese del cilindro de propano licuado.
2. No trate de corregir el problema usted mismo.
3. Llame al cuerpo de bomberos local.



Su barbacoa o asador de gas Weber® es un aparato portátil para cocinar al aire libre. Con la barbacoa o asador de gas Weber® usted puede asar de manera convencional, a la barbacoa o asador, y al horno con unos resultados que son difíciles de duplicar con los artefactos de cocina de la casa. La tapa cerrada y las barras Flavorizer® le dan a la comida ese sabor a "aire libre".

La barbacoa o asador de gas Weber® es portátil por lo que usted puede reubicarlo fácilmente de sitio en su jardín o patio. La portabilidad significa que, si usted se muda, se puede llevar su barbacoa o asador de gas Weber® consigo. El suministro de gas propano licuado es fácil de usar y le da más control al cocinar que el carbón.

- Estas instrucciones le indicarán los requisitos mínimos para ensamblar su barbacoa o asador de gas Weber®. Por favor lea cuidadosamente las instrucciones antes de utilizar su barbacoa o asador de gas Weber®. Un ensamblaje incorrecto puede ser peligroso.
- No debe ser usado por niños.
- Si hubiesen códigos locales que aplicasen para barbacoa o asadores de gas portátil, usted deberá acatarlos. Si no existiesen códigos locales, usted deberá cumplir con la más reciente edición del código nacional aplicable relativo al uso de gas combustible: ANSI Z 223.1/NFPA 54, o Código de Instalaciones de Gas Natural o Propano, CSA B149.1, o Código de Almacenaje y Manipulación de Propano B149.2
- Debe usarse el regulador de presión suministrado con la barbacoa o asador de gas Weber®. Este regulador está ajustado para una presión de 10.5 pulgadas de columna de agua.
- Esta barbacoa o asador de gas Weber® está diseñado para ser usado solamente con gas propano licuado (LP). No la use con gas natural (suministrado a través de tuberías en las ciudades). Las válvulas, los orificios, la manguera y regulador son solamente para gas propano licuado.
- No la use con combustible de carbón.
- Asegúrese de que el área debajo del panel de control y la bandeja inferior no tenga desechos que pudiesen obstruir el flujo de aire de combustión o de ventilación.
- Las áreas alrededor del cilindro de gas LP deben estar libres y sin acumulación de desperdicios.
- Los reguladores de presión y ensamblajes de mangueras de reemplazo deberán ser aquellos especificados por el fabricante del artefacto de gas para cocinar al aire libre.

### PARA LA INSTALACIÓN EN CANADÁ

Esta instrucciones, aunque de manera general son aceptables, no necesariamente cumplen con los códigos de instalación canadienses, en particular en lo que respecta a las tuberías bajo y sobre tierra. En Canadá la instalación de este artefacto debe cumplir con los códigos locales y/o la Norma CSA-B149.2 (Código de Almacenaje y Manipulación de Propano).

### OPERACIÓN DE LA BARBACOA O ASADOR

- ⚠ **ADVERTENCIA:** Sólo use esta barbacoa o asador al aire libre en un área bien ventilada. No lo use en un garaje, edificio, pasadizo techado o en cualquier otra área cerrada.
- ⚠ **ADVERTENCIA:** Su barbacoa o asador de gas Weber® no deberá usarse debajo de un techo combustible.

### COCCIÓN

- ⚠ **ADVERTENCIA:** No mueva la barbacoa o asador de gas Weber® mientras esté en operación o esté caliente.

Puede ajustar los quemadores DELANTERO y TRASERO a su gusto. Los ajustes de control: Alto (H), Medio (M), Bajo (L) o Apagado (O) están descritos en su recetario Weber®. El recetario usa estas siglas para describir los ajustes a los quemadores DELANTERO y TRASERO. Por ejemplo, para dorar bistecs, deberá ajustar ambos hornos a la posición H (alto). Una vez dorados, para terminar de cocinarlos ajustará los quemadores DELANTERO y TRASERO a la posición M (medio). Refiérase a su libro de recetas Weber® para las instrucciones detalladas sobre cómo cocinar con la barbacoa o asador.

*Nota: La temperatura dentro de la caja de cocción durante las primeras ocasiones en que se use, cuando las superficies sean todavía demasiado reflectoras, podrá estar más caliente de lo que se indica en su libro de recetas. Las condiciones ambientales bajo las que se esté cocinando, tales como el viento y el tiempo, pueden hacer que se requieran ajustes a los controles de los quemadores para obtener las temperaturas de cocción correctas.*

**Pre calentamiento** - Su barbacoa o asador de gas Weber® es un artefacto que usa la energía eficientemente. Ésta opera a una baja tasa de consumo calorífico. Para precalentar: después de encenderla, cierre la tapa y gire los quemadores a alto (HH). El precalentar a una temperatura entre 500° y 550° F (260° y 290° C) tardará de 10 a 15 minutos dependiendo de tales condiciones como la temperatura del aire y el viento.

**Grasa escurrida** - Las barras del Flavorizer® han sido diseñadas para "ahumar" la cantidad correcta de grasa escurrida para así obtener una cocción con sazón. El

### EN ALMACENAJE O SIN USARSE

- La válvula de gas en el cilindro de propano licuado debe mantenerse cerrada mientras la barbacoa o asador de gas Weber® esté sin usarse.
- Cuando la barbacoa o asador de gas Weber® esté almacenada bajo techo, el suministro de gas debe DESCONECTARSE y el tanque de propano licuado debe guardarse al aire libre en un espacio bien ventilado.
- El cilindro de propano licuado debe guardarse al aire libre en un área bien ventilada fuera del alcance de los niños. El cilindro desconectado de propano licuado no debe almacenarse dentro de ninguna edificación, garaje o área cerrada.
- Cuando el cilindro de propano licuado no esté desconectado de la barbacoa o asador de gas Weber®, el artefacto junto con el tanque de propano licuado deberán mantenerse al aire libre en un espacio bien ventilado.
- La barbacoa o asador de gas Weber® deberá revisarse para asegurarse de que no tenga fugas de gas ni obstrucciones en los tubos de los quemadores. (Vea las secciones: "Mantenimiento General y Mantenimiento Anual.")
- Asegúrese de que el área debajo del panel de control y la bandeja inferior no tengan desechos que pudiesen obstruir el flujo de aire de combustión o de ventilación.
- También deberá revisarse que la malla contra arañas e insectos no esté obstruida. (Vea la sección: "Mantenimiento Anual")

- ⚠ **ADVERTENCIA:** Su barbacoa o asador de gas Weber® no ha sido diseñada para instalarse en o sobre vehículos o botes recreativos.
- ⚠ **ADVERTENCIA:** No utilice la barbacoa o asador con la parte superior, inferior, posterior, o lateral de la parrilla a menos de 60 centímetros de distancia de materiales combustibles.
- ⚠ **ADVERTENCIA:** La caja de cocción entera se calienta al usarse. No la deje desatendida.
- ⚠ **ADVERTENCIA:** Mantenga a cualquier cordón eléctrico y a la manguera de suministro de gas alejados de toda superficie caliente.
- ⚠ **ADVERTENCIA:** Mantenga el área de cocinar libre de vapores y líquidos inflamables tales como gasolina, alcohol, etc. y de materiales combustibles.
- ⚠ **ADVERTENCIA:** Nunca almacene cilindros de propano licuado extra (de repuesto) debajo o cerca de la barbacoa o asador de gas Weber®.
- ⚠ **ADVERTENCIA:** El cilindro de propano licuado usado con su barbacoa o asador debe contar con un "Dispositivo de prevención de sobrellenado" (OPD, por sus siglas en inglés) y una conexión QCC1 o tipo 1 (CGA810). La conexión del cilindro debe ser compatible con la de la barbacoa o asador.

exceso de grasa escurrida se acumulará en el plato recolector debajo de la bandeja corredera inferior. Hay disponibles bandejas de goteo desechables que caben en el plato recolector.

- ⚠ **ADVERTENCIA:** Antes de cada uso, verifique que no haya grasa acumulada en la bandeja inferior. Retire el exceso de grasa para evitar que ésta se incendie en la bandeja corredera inferior.

### LIMPIEZA

- ⚠ **ADVERTENCIA:** Apague su barbacoa o asador de gas Weber® y espere a que se enfríe antes de limpiar.

**Superficies externas** - Utilice una solución de agua jabonosa tibia para limpiarlas y luego enjuáguelas con agua.

- ⚠ **PRECAUCIÓN:** Sobre la superficie de la barbacoa o asador o del carro no utilice limpiadores de hornos, limpiadores abrasivos (limpiadores de cocinas), limpiadores que contengan productos cítricos, o almohadillas de limpieza abrasivas.

**Flavorizer® y parrillas de cocción** - Límpielas con un cepillo de cerda de latón adecuado. Según se requiera, retírelas del barbacoa o asador y lávelas con agua jabonosa tibia y luego enjuáguelas con agua.

**⚠ PRECAUCIÓN: No limpie las barras Flavorizer® o las parrillas de cocción en un horno autolimpiante.**

Para averiguar la disponibilidad de parrillas de cocción y barras Flavorizer® contacte al Representante de Atención al Cliente usando la información de contacto en nuestro sitio web. Conéctese a [www.weber.com](http://www.weber.com).

**Deslice hacia afuera la bandeja del fondo** - Retire el exceso de grasa, luego lávela con agua jabonosa tibia y finalmente enjuáguela.

**Plato recolector** - Hay disponibles bandejas desechables de lámina de metal, o usted mismo puede forrar el plato recolector con papel aluminio. Para limpiar el plato recolector, lávelo con agua jabonosa tibia y luego enjuague.

**Termómetro** - Pásele un trapo con agua tibia jabonosa, y límpielo con una pelota o esponja plástica de fregar.

**Dentro del módulo de cocción** - Cepille cualesquier restos de los tubos quemadores. **NO AGRADE LAS ABERTURAS DE LOS QUEMADORES.** Lave la parte interior de la caja de cocción con agua jabonosa y luego enjuáguela con agua.

**Parte interior de la tapa** - Mientras la tapa este tibia, limpie la parte interna con una toalla de papel para prevenir la acumulación de grasa. La grasa acumulada escamada se asemeja a las escamas de pintura.

**Superficies de acero inoxidable - Preserve su acero inoxidable** - La barbacoa o asador o el gabinete, tapa, panel de control y estantes de ésta pudieran estar hechos de acero inoxidable. Es muy fácil mantener impecable al acero inoxidable. Simplemente lávelo con agua y jabón, enjuáguelo con agua limpia y séquelo con un trapo. Se puede utilizar una brocha no metálica para las manchas más difíciles.

**⚠ IMPORTANTE: No utilice cepillos de alambre o limpiadores abrasivos sobre las superficies de acero inoxidable ya que las rayarán.**

**⚠ IMPORTANTE: No utilice limpiadores que contengan lejía a base de cloro sobre la superficie de acero inoxidable de su barbacoa o asador.**

**⚠ IMPORTANTE: Al limpiar las superficies asegúrese de frotar/restregar en la dirección del grano para preservar la vistosidad del acero inoxidable.**

**Superficies de plástico termocurado** - Lávelas con un trapo suave y una solución de agua y jabón.

**No utilice limpiadores que contengan ácido, destilado de petróleo o xileno. Enjuáguelas bien después de lavarlas.**

**Las mesas de trabajo de plástico no deberán usarse como tablas de corte.**

## INSTRUCCIONES SOBRE EL GAS

### INFORMACIÓN IMPORTANTE SOBRE EL CILINDRO DE PROPANO LICUADO

El no acatar estrictamente estos avisos de **PELIGRO** pudiera resultar en un fuego letal o causar lesiones serias..

**⚠ PELIGRO**

- ⚠ NUNCA almacene un cilindro de gas propano licuado de reserva debajo o cerca de esta barbacoa o asador.**
- ⚠ NUNCA llene el tanque más allá de un 80% lleno.**

**Su barbacoa o asador de gas Weber® está equipada para usarse con un sistema de suministro desde cilindros diseñado para el retiro del vapor.**

**⚠ ADVERTENCIA: Use esta barbacoa o asador sólo en un área bien ventilada al aire libre. No la use en un garaje, edificio, pasadizo techado o en cualquier otra área cerrada.**

Las maneras correctas para llenar su cilindro son por peso o por volumen, según se describe en la norma NFPA-58. Por favor asegúrese de que su estación de llenado llene su cilindro de gas propano licuado midiendo el peso o el volumen. Pídale al personal de su estación de llenado que lean las instrucciones sobre cómo purgar y llenar el cilindro de gas propano licuado antes de tratar de llenarlo.

### PREPARACIONES PARA VERIFICAR LA EXISTENCIA DE FUGAS VERIFIQUE QUE TODAS LAS VÁLVULAS DE LOS QUEMADORES ESTÉN CERRADAS

Las válvulas son despachadas de fábrica en la posición OFF (cerradas), pero usted debe verificarlo para asegurarse de que efectivamente estén en dicha posición.

Verifíquelo empujándolas hacia abajo y girándolas hacia la derecha. Si no giran, están cerradas. Proceda al paso siguiente. Si sí girasen, continúe girándolas hacia la derecha hasta que paren; allí estarán cerradas. Proceda al paso siguiente.

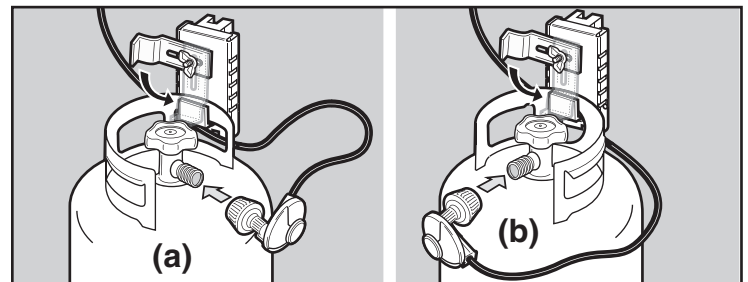
### CÓMO CONECTAR EL CILINDRO DE PROPANO LICUADO

**⚠ ADVERTENCIA: Asegúrese de que la válvula del cilindro de propano licuado esté cerrada. Cíerrela girándola en la dirección de las agujas del reloj.**

**⚠ PELIGRO**

**No utilice una llama abierta para comprobar si existen fugas de gas. Asegúrese de que no haya chispas o llamas abiertas en el área mientras comprueba si existen fugas. Chispas o llamas causarían un fuego o explosión, las cuales pueden causar serias lesiones corporales o la muerte, y daños a la propiedad.**

Algunos tanques de propano licuado tienen ensamblajes de collarín superior diferentes. (El collarín superior es el aro protector de metal alrededor de la válvula.) Una serie de tanques se ensamblan con la válvula hacia adelante (a). Los demás tanques se ensamblan con la válvula viendo en dirección contraria a la escala de combustible (b). Usted necesitará: El cilindro de propano licuado, una solución de agua y jabón y un trapo o una brocha para aplicarla.



- 1) Gire el cilindro de propano licuado de manera que la abertura de la válvula esté viendo hacia la parte frontal, lateral o posterior de la barbacoa o asador de gas Weber®. Levante y enganche el cilindro al medidor de combustible.
- 2) Afloje la contratuerca de aletas del cilindro. Gire la traba del cilindro hacia abajo. Apriete la tuerca de aletas.

**Para conectar la manguera al cilindro:**

- 3) Retire la cubierta antipolvo de plástico de la válvula.
- 4) Enrosque el cople del regulador a la válvula del tanque, en el sentido de las agujas del reloj o hacia la derecha. Sólo apriete a mano.

*Nota: Este es un nuevo tipo de conexión. Se aprieta hacia la derecha y no permitirá que el gas fluya a menos que la conexión esté apretada. La conexión sólo requiere apretarse a mano.*

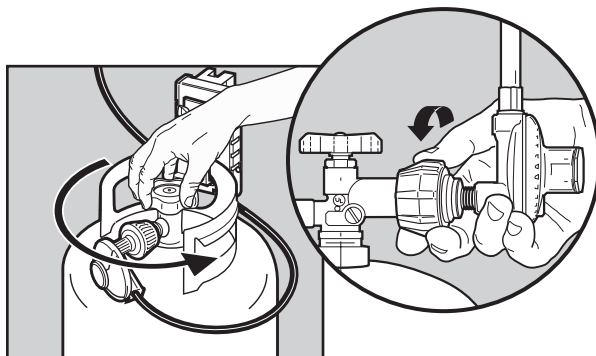
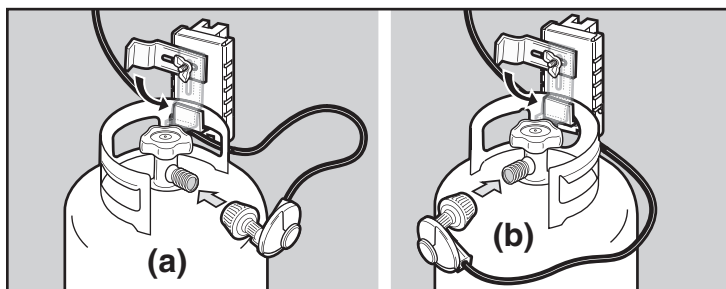
**⚠ ADVERTENCIA: No use una llave para apretar la conexión. Si usa una llave, podría dañar el cople del regulador y causar una fuga.**

- 5) Mezcle el agua y jabón.
- 6) Abra la válvula del cilindro.
- 7) Verifique que no existan fugas mojando las conexiones con la solución de agua y jabón y viendo si se generan burbujas. Si se forman burbujas, o si una burbuja crece, es que hay una fuga.

Si hay una fuga, cierre el gas y apriete la conexión. Abra el gas de nuevo y con la solución de jabón y agua vuelva a verificar que no existan fugas.

Si la fuga no se detiene, contacte a su Representante de Servicios al Cliente en su área usando la información de contacto en nuestro sitio web. Conéctese a [www.weber.com](http://www.weber.com)®. No utilice la barbacoa o asador.

- 8) Cuando se haya completado la comprobación de las fugas de gas, CIERRE el suministro de gas en la fuente y enjuague las conexiones con agua.



**EXTRAIGA EL PANEL DE CONTROL Y LAS PERILLAS DE CONTROL DE LOS QUEMADORES**

*Necesitará un destornillador Phillips.*

- 1) Extraiga las perillas de control.
- 2) Extraiga los tornillos con un destornillador Phillips.
- 3) Tire hacia arriba el botón de encendido hasta que se fije en esa posición y extraiga el panel del asador.
- 4) Vuelva a colocar el panel de control cuando finalice la comprobación de fugas.

**COMPRUEBE QUE NO HAYA FUGAS DE GAS**

**⚠ PELIGRO**

**No utilice una llama abierta para comprobar si existen fugas de gas. Asegúrese de que no haya chispas o llamas abiertas en el área mientras comprueba si existen fugas. Chispas o llamas abiertas causarán un fuego o explosión, las cuales pueden causar serias lesiones corporales o la muerte, y daños a la propiedad.**

**⚠ ADVERTENCIA: Cada vez que conecte o desconecte una conexión de gas, deberá verificar que no hayan fugas de gas.**

*Nota: Todas las conexiones hechas en la fábrica han sido revisadas a fondo en busca de la presencia de fugas. Los quemadores han sido probados con las llamas encendidas. Como medida de precaución, sin embargo, usted deberá volver a chequear todas las conexiones en busca de fugas antes de utilizar su barbacoa o asador de gas Weber®. Durante el manejo y despacho puede haberse aflojado o dañado alguna conexión de gas.*

**⚠ ADVERTENCIA: Lleve a cabo estos chequeos de fugas aun y cuando su barbacoa o asador haya sido ensamblada por el distribuidor o en la tienda donde la compró.**

Usted necesitará: una solución de agua y jabón y un trapo o una brocha para aplicarla.

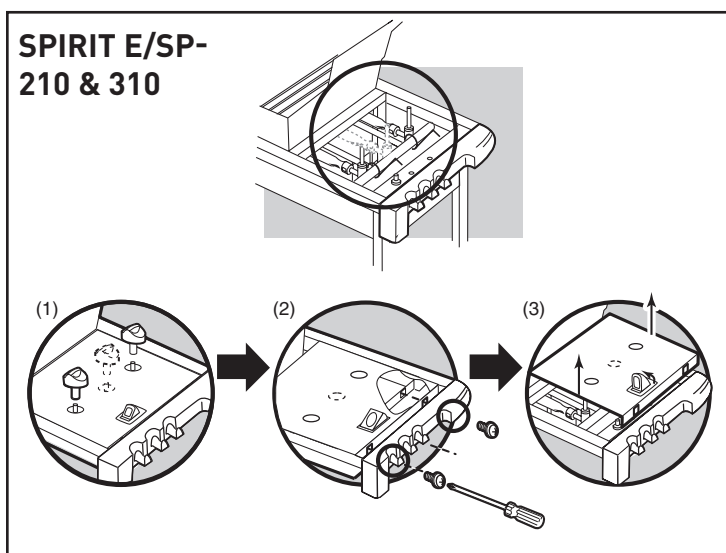
*Nota: Dado a que algunas soluciones para la detección de fugas, incluyendo el agua y jabón, pueden ser ligeramente corrosivas, todas las conexiones deberán lavarse con agua después de realizar la comprobación de las fugas.*

Asegúrese de que el quemador lateral esté apagado (posición OFF).

Para realizar la comprobación de que no hay fugas: abra la válvula del cilindro girando el manubrio de ésta en dirección contraria a las agujas del reloj.

**⚠ ADVERTENCIA: No encienda los quemadores mientras esté verificando la existencia de fugas.**

Compruebe la existencia de fugas mojando las conexiones con la solución de agua y jabón y viendo si se generan burbujas. Si se forman burbujas o si una burbuja, crece existe una fuga.



**Compruebe:**

- 1) La conexión de la manguera al múltiple.
- 2) La conexión del regulador al cilindro

**⚠ ADVERTENCIA:** Si hubiese una fuga en la conexión (1), vuelva a apretarla con una llave y vuelva a comprobar de que no hay fugas usando una solución de agua y jabón. Si la fuga persiste después de volver a apretar la conexión, cierre el gas. **NO OPERE LA Barbacoa o asador.** Contacte al Representante de Atención al Cliente usando la información de contacto en nuestro sitio web. Conéctese a [www.weber.com](http://www.weber.com).

**Compruebe:**

- 3) Las conexiones de las válvulas al múltiple
- 4) La conexión de la manguera al regulador

**⚠ ADVERTENCIA:** Si hubiese una fuga en las conexiones (2), (3) o (4), **CIERRE** el gas. **NO OPERE LA Barbacoa o asador.** Contacte al Representante de Atención al Cliente usando la información de contacto en nuestro sitio web. Conéctese a [www.weber.com](http://www.weber.com).

Cuando se haya completado la comprobación de las fugas de gas, **CIERRE** el suministro de gas en la fuente y enjuague las conexiones con agua.

**RECARGA DEL CILINDRO DE PROPANO LICUADO**

Le recomendamos que llene su cilindro de gas propano licuado antes de que éste se vacíe por completo.

Cómo retirar el cilindro de gas propano licuado

- 1) Cierre la válvula del tanque (gire en sentido de las agujas del reloj).
- 2) Desenrosque el cople del regulador girándolo, solamente a mano, en sentido contrario a las agujas del reloj.
- 3) Afloje la contratuerca de aletas del cilindro y aparte el amarramiento del cilindro de manera que no estorbe.
- 4) Levante el cilindro.

Para recargarlo, lleve el cilindro de gas propano licuado a un distribuidor de "Gas Propano".

**⚠ ADVERTENCIA:** Recomendamos llenar su cilindro de gas propano licuado con un distribuidor de gas propano autorizado que tenga un encargo debidamente calificado y que llene el tanque en base a peso. **EL LLENADO INCORRECTO ES PELIGROSO**

**⚠ PRECAUCIÓN:** Coloque la tapa guardapolvo sobre la salida de la válvula del cilindro siempre que éste último no se esté usando. Solamente instale sobre la salida de la válvula del cilindro el tipo de tapa guardapolvo provista con dicha válvula. Otros tipos de tapas o taponeros pudieran resultar en fugas de propano.

**VERIFICACIÓN DEL NIVEL DE COMBUSTIBLE EN SU TANQUE**

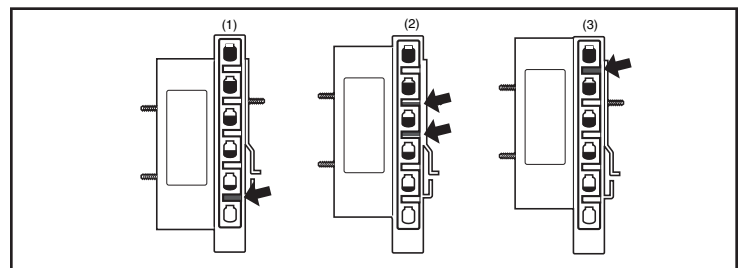
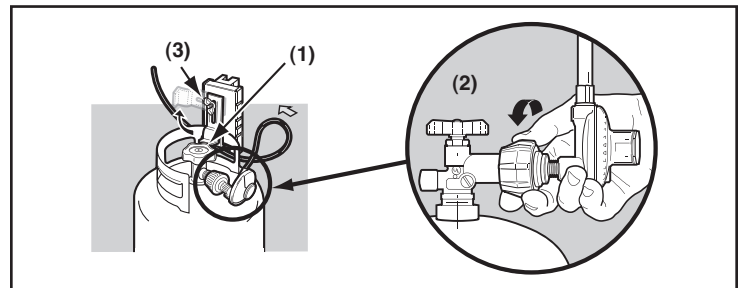
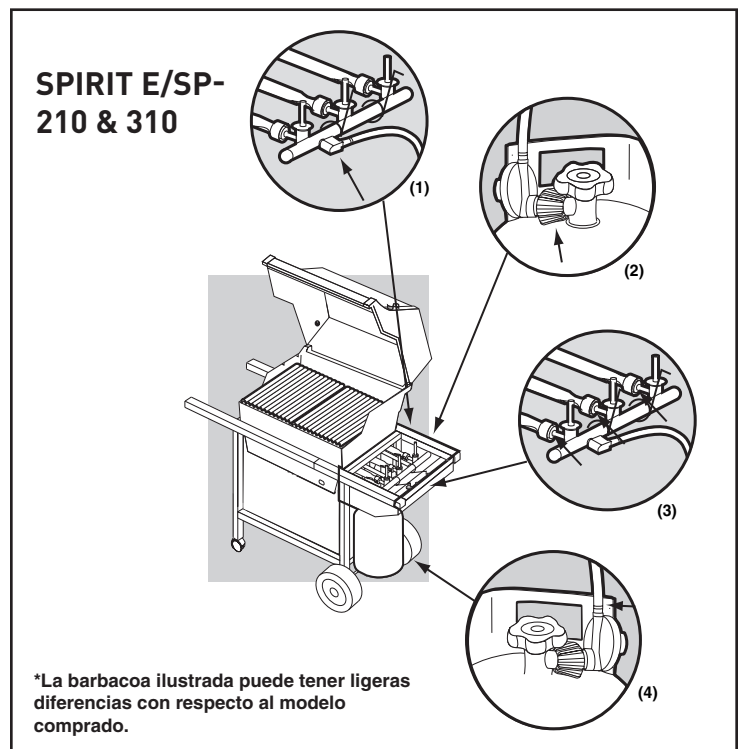
Verifique el nivel de combustible viendo la línea de color indicadora del nivel ubicada al lado de la escala del tanque.

- 1) Vacío
- 2) Mitad
- 3) Lleno

**SUGERENCIAS PARA EL MANEJO SEGURO DE LOS CILINDROS DE GAS PROPANO LICUADO**

- El gas propano licuado es un producto petrolero al igual que lo son la gasolina y el gas natural. El propano es un gas a temperaturas y presiones normales. Bajo presión moderada, dentro de un cilindro, el gas propano es un líquido. En la medida en que se libera la presión, el líquido se evapora fácilmente y se convierte en gas.
- El gas propano tiene un olor similar al gas natural. Usted deberá estar al tanto de este olor.
- El gas propano es más pesado que el aire. El gas propano proveniente de una fuga puede acumularse en áreas bajas y prevenir su dispersión.
- Para llenar un cilindro de gas propano, llévelo a un centro de vehículos recreativos, o busque a otros suplidores bajo "gas propano" en el directorio telefónico.

**⚠ ADVERTENCIA:** Recomendamos llenar su cilindro de gas propano licuado con un distribuidor de gas propano autorizado que tenga un encargo debidamente calificado y que llene el tanque en base a peso. **EL LLENADO INCORRECTO ES PELIGROSO.**



- Antes de su llenado inicial, el aire debe ser retirado de todo cilindro nuevo de propano licuado. Los distribuidores de propano licuado están equipados para hacerlo.
- El cilindro de propano licuado debe instalarse, transportarse y almacenarse en una posición parada. Los cilindros de propano licuado no deben dejarse caer o manipularse de manera brusca.
- Nunca almacene o transporte los cilindros de propano licuado en sitios donde la temperatura alcance los 125 ° F (52 ° C) (demasiado caliente para sostenerlo con la mano - por ejemplo: no deje un cilindro de gas propano dentro de un carro en un día caluroso).

*Nota: Una llenada durará alrededor de 20 horas de tiempo de cocción bajo uso normal. La escala de combustible indica el suministro de propano disponible de manera que pueda volver a llenar el tanque antes de éste vaciarse. No necesita vaciar el tanque completamente antes de volver a llenarlo.*

- Trate a los cilindros de propano licuado "vacíos" con el mismo cuidado que cuando están llenos. Aun cuando el tanque de gas propano no contenga líquido todavía puede haber presión del gas en el cilindro. **Siempre cierre la válvula del cilindro antes de desconectar.**

**⚠ PRECAUCIÓN:** Coloque la tapa guardapolvo sobre la salida de la válvula del cilindro siempre que éste último no se esté usando. Solamente instale sobre la salida de la válvula del cilindro el tipo de tapa guardapolvo provista con dicha válvula. Otros tipos de tapas o tapones pudieran resultar en fugas de propano.

- No use ningún cilindro de propano licuado dañado. Cilindros de propano licuado abollados u oxidados o con la válvula dañada son peligrosos y deberán reemplazarse por uno nuevo inmediatamente.

**Cilindro(s) de propano licuado**

- Cada vez que se reconecte un cilindro de propano licuado, se debe revisar que la unión por donde se conecta la manguera al cilindro no presente fugas. Por ejemplo, haga la prueba cada vez que se llena el cilindro de propano licuado.
- Asegúrese de que el regulador esté montado con el pequeño agujero respiradero viendo hacia abajo de manera que no se acumule agua en él. Este respiradero debe mantenerse libre de sucio, grasa, insectos, etc.
- Las conexiones de gas suministradas con su barbacoa o asador de gas Weber® han sido diseñadas y probadas con el fin de cumplir en un 100% los requisitos ANSI y de la CSA.

**⚠ ADVERTENCIA:** Los tanques de propano licuado de reemplazo deben tener conexiones compatibles con la del regulador suministrado con esta barbacoa o asador.

**Requisitos de los cilindros de propano licuado**

- Asegúrese de que los cilindros tengan una certificación del D.O.T. (Departamento de Transporte) (1), y que la fecha en que fueron probados (2) no sea más de cinco años atrás. Su proveedor de propano licuado puede hacerlo por usted.

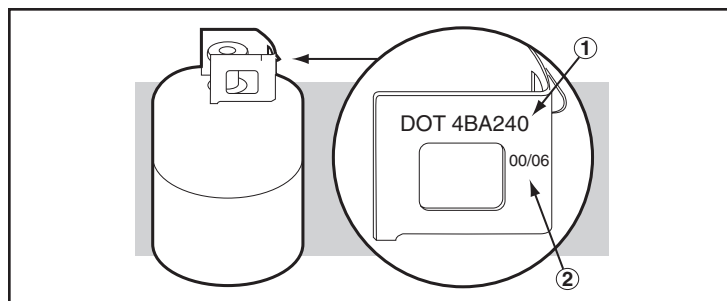
- Todos los sistemas de tanques de suministro de propano licuado deben incluir un collar que proteja la válvula del cilindro.
- Los cilindros de propano licuado deben tener un tamaño aproximado de 9 kg (46 cm de alto, 31 cm de diámetro).
- Los cilindros deben construirse y marcarse de acuerdo con las "Especificaciones para cilindros de gas propano licuado" del Departamento de Transporte (D.O.T.) de los EE.UU. o la Norma Nacional Canadiense "CAN/CSA-B339, Cilindros, esferas y tubos" o "Transporte de bienes peligrosos"; y Comisión, según aplique.

**En Canadá**

**Requisitos de los cilindros de propano licuado**

*Nota: Su proveedor de venta al por menor puede ayudarle a buscar un tanque de reemplazo para su barbacoa o asador.*

- El cilindro de propano licuado debe estar construido y marcado de acuerdo con las especificaciones para cilindros de gas propano licuado, T.C.



## INSTRUCCIONES DE FUNCIONAMIENTO

**ENCENDIDO**

En el panel de control se encuentra un resumen de las instrucciones de encendido.

**⚠ PELIGRO**

El no abrir la tapa mientras se esté encendiendo el quemador de la barbacoa o asador, o no esperar 5 minutos para que el gas se disipe si la barbacoa o asador no se enciende, puede resultar en una llamarada explosiva, la cual puede causar lesiones corporales serias o la muerte.

**Sistema de encendido Crossover®**

*Nota: El sistema de encendido Crossover® enciende a los quemadores mediante una chispa del electrodo de ignición ubicado dentro de la cámara de encendido Gas Catcher™. Usted genera la energía para la chispa pulsando el botón de encendido Crossover® hasta que haga clic.*

**⚠ ADVERTENCIA:** Inspeccione la manguera previo a cada uso de la barbacoa o asador y asegúrese de que no tenga muescas, grietas, abrasiones o cortes. Si se encontrase que la manguera estuviese dañada de cualquier manera, no utilice la barbacoa o asador. Reemplácela solamente con una manguera de repuesto autorizada por Weber®. Contacte al Representante de Atención al Cliente usando la información de contacto en nuestro sitio en la Internet. Conéctese a [www.weber.com](http://www.weber.com).

- Abra la tapa
- Asegúrese de que todas las perillas de control del quemador estén en la posición OFF (apagado) (Empuje la perilla de control hacia adentro y gire en dirección de las manecillas del reloj para asegurarse de que esté en la posición OFF (apagada).)

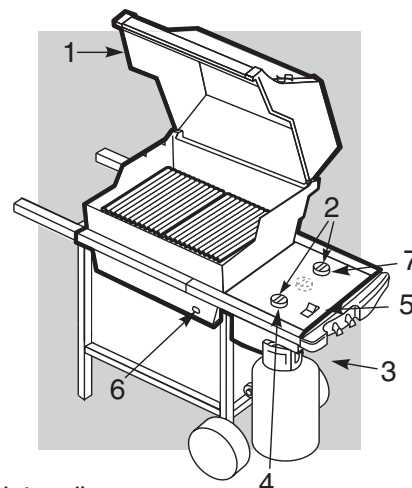
**⚠ ADVERTENCIA:** Las perillas de control del quemador deberán estar en la posición OFF (APAGADA) antes de abrir la válvula del tanque de propano licuado. Si no están en la posición OFF (APAGADA) cuando abra la válvula del tanque de propano licuado, el control de exceso de flujo se activará y limitará el flujo de gas desde el tanque de propano licuado. Si esto llegase a ocurrir, cierre la válvula del tanque de propano y las perillas de control del quemador y empiece de nuevo. Luego comience de nuevo.

**⚠ PELIGRO:**

Cuando se activa el control de exceso de flujo, una pequeña cantidad de gas sigue fluyendo a los quemadores. Después de cerrar la válvula del tanque y las perillas de control del quemador, espere por lo menos 5 minutos para que el gas se disipe antes de tratar de encender la barbacoa o asador. El no hacer esto podría resultar en una llamarada explosiva que pudiera causar lesiones corporales serias o la muerte.

**ENCENDIDO DEL QUEMADOR PRINCIPAL**

**SPIRIT E/SP-210 & 310**



\*La barbacoa ilustrada puede tener ligeras diferencias con respecto al modelo comprado.

- 3) Abra el suministro de gas del cilindro girando lentamente la válvula del cilindro en dirección contraria a las manecillas del reloj.
- ⚠ **ADVERTENCIA: No se incline sobre la barbacoa o asador abierta. Al encender la barbacoa o asador, mantenga su cara y cuerpo alejados por lo menos a una distancia de 30 centímetros del orificio de encendido con cerillo.**
- 4) Empuje la perilla de control del quemador hacia adentro y gire hacia START/HI (encendido/alto).
- 5) Pulse el botón rojo de encendido Crossover® varias veces, de manera que haga "clac" cada vez.
- 6) Viendo a través del agujero de encendido con cerillo, verifique si efectivamente se ha encendido el quemador. Deberá ver una llama.
- ⚠ **ADVERTENCIA: Si el quemador no se enciende, gire la perilla del control del quemador a la posición OFF (apagado) y espere 5 minutos para permitir que el gas se disipe antes de tratar de nuevo o de que usted trate de encenderlo con un cerillo.**
- 7) Una vez se haya encendido el quemador DELANTERO ya podrá encender el otro quemador.

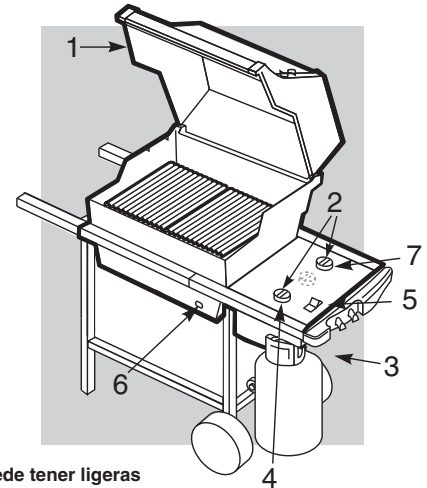
*Nota: Siempre encienda primero el quemador DELANTERO. Los quemadores restantes se encienden con las llamas del quemador DELANTERO.*

#### PARA APAGAR

Empuje la perilla de control de cada quemador hacia abajo y gírela en la dirección de las manillas del reloj a la posición OFF (apagado). Cierre el suministro de gas en la fuente del mismo.

#### ENCENDIDO DEL QUEMADOR PRINCIPAL

#### SPIRIT E/SP-210 & 310



\*La barbacoa ilustrada puede tener ligeras diferencias con respecto al modelo comprado.

#### ENCENDIDO MANUAL

#### ⚠ PELIGRO

El no abrir la tapa mientras se esté encendiendo el quemador de la barbacoa o asador, o no esperar 5 minutos para que el gas se disipe si la barbacoa o asador no se enciende, puede resultar en una llamarada explosiva, la cual puede causar lesiones corporales serias o la muerte.

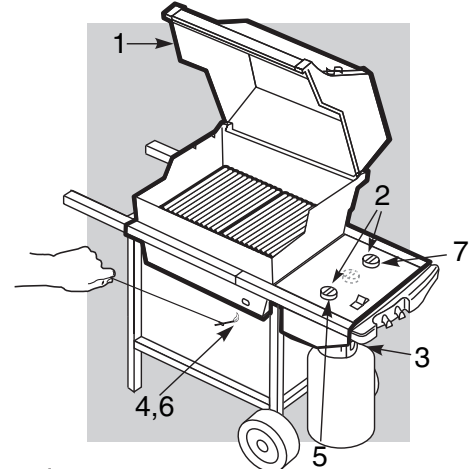
- 1) Abra la tapa.
- 2) Asegúrese de que todas las perillas de control del quemador estén en la posición OFF (apagado) (Presione cada perilla hacia abajo y gire en dirección de las manecillas del reloj para asegurarse de que estén cerradas en la posición OFF).
- ⚠ **ADVERTENCIA: Las perillas de control del quemador deberán estar en la posición OFF (apagadas) antes de abrir la válvula del tanque de propano licuado. Si no están en la posición OFF (APAGADA) cuando abra la válvula del tanque de propano licuado, el control de exceso de flujo se activará y limitará el flujo de gas desde el tanque de propano licuado. Si esto llegase a ocurrir, cierre la válvula del tanque de propano líquido y las perillas del control del quemador. Luego comience de nuevo.**

#### ⚠ PELIGRO

Cuando se activa el control de exceso de flujo, una pequeña cantidad de gas sigue fluyendo a los quemadores. Después de cerrar la válvula del tanque y las perillas de control del quemador, espere por lo menos 5 minutos para que el gas se disipe antes de tratar de encender la barbacoa o asador. El no hacer esto podría resultar en una llamarada explosiva que pudiera causar lesiones corporales serias o la muerte.

#### ENCENDIDO DEL QUEMADOR PRINCIPAL

#### SPIRIT E/SP-210 & 310



\*La barbacoa ilustrada puede tener ligeras diferencias con respecto al modelo comprado.

- 3) Abra el suministro de gas del cilindro girando la válvula del cilindro en dirección contraria a las manecillas del reloj.
- 4) Inserte el portacerillo con el cerillo encendido en el agujero para la candela del cerillo en frente de la caja de cocción.

**⚠ ADVERTENCIA: No se incline sobre la barbacoa o asador abierta. Al encender la barbacoa o asador, mantenga su cara y cuerpo alejados a por lo menos una distancia de 30 centímetros del orificio de encendido con cerillo.**

- 5) Empuje la perilla de control del quemador hacia adentro y gire hacia START/HI (encendido/alto).
- 6) Viendo a través del agujero de encendido con cerillo en la parte delantera de la caja de cocción, verifique si se ha encendido el quemador. Deberá ver una llama.

**⚠ ADVERTENCIA: Si el quemador no se enciende, gire la perilla del control del quemador a la posición OFF (apagado) y espere 5 minutos para permitir que el gas se disipe antes de tratar de nuevo o de que usted trate de encenderlo con un cerillo.**

- 7) Una vez se haya encendido el quemador de ADELANTE ya podrá encender el otro quemador.

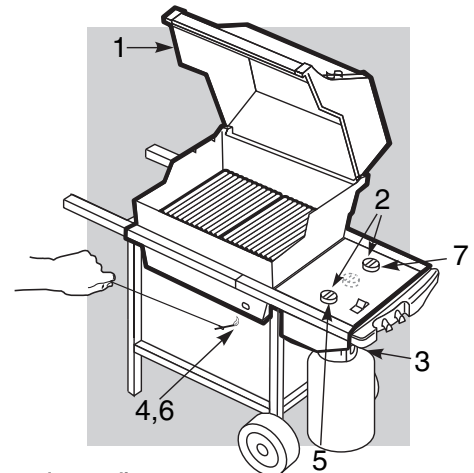
*Nota: Siempre encienda primero el quemador DELANTERO. Los demás quemadores se encienden con las llamas del quemador DELANTERO.*

**PARA APAGAR**

Empuje la perilla de control de cada quemador hacia abajo y gírela en la dirección de las manillas del reloj a la posición OFF (apagado). Cierre el suministro de gas en la fuente del mismo.

**ENCENDIDO DEL QUEMADOR PRINCIPAL**

**SPIRIT E/SP-210 & 310**



**\*La barbacoa ilustrada puede tener ligeras diferencias con respecto al modelo comprado.**

**RESOLUCIÓN DE PROBLEMAS**

PROBLEMA	REVISAR	REMEDIO
Los quemadores queman con una llama amarilla o anaranjada, conjuntamente con un olor a gas.	Revise que no haya obstrucciones en la malla contra arañas e insectos. (Taponamiento de orificios.)	Limpie las mallas contra arañas e insectos. (Vea la sección: "Mantenimiento anual")
<b>Síntomas:</b> Los quemadores no se encienden. -o- Los quemadores presentan una llama pequeña y parpadeante en la posición HI (fuego alto). -o- La temperatura de la barbacoa o asador no pasa más allá de 250° a 300° en la posición HI (fuego alto).	Puede haberse activado el dispositivo de seguridad de caudal excesivo, el cual es parte de la conexión de la barbacoa o asador al cilindro.	Para restablecer el dispositivo de seguridad de caudal excesivo gire todos las perillas de control del quemador a la posición OFF (apagadas) y cierre la válvula del cilindro. Desconecte el regulador del cilindro. Gire las perillas de control del quemador a la posición HI (fuego alto). Espere por lo menos 1 minuto. Gire las perillas de control a la posición OFF (apagadas). Vuelva a conectar el regulador del cilindro. Abra la válvula del cilindro lentamente. Refiérase a las "Instrucciones de encendido".
El quemador no enciende, o la llama se mantiene baja en la posición HI (fuego alto).	¿Está el tanque de propano licuado vacío o bajo de combustible?	Rellene el tanque de propano licuado.
	¿Está doblada la manguera de combustible?	Enderece la manguera de combustible.
	¿Se enciende el quemador izquierdo con una cerilla?	Si usted puede encender el quemador izquierdo con un cerillo, entonces revise el sistema de encendido Crossover®.
Se producen llamaradas:  <b>⚠PRECAUCIÓN: No forre la bandeja inferior con hoja de aluminio.</b>	¿Está precalentando la barbacoa o asador de la manera prescrita?	Coloque a todos los quemadores en HI (fuego alto) durante 10 a 15 minutos para precalentar la barbacoa o asador.
	¿Están las rejillas de cocinar y las barras Flavorizer® recubiertas con una capa gruesa de grasa quemada?	Límpielas a fondo. (Vea la sección "Limpieza".)
	¿Está la bandeja del fondo "sucia" y no deja que la grasa fluya al plato recolector?	Limpie la bandeja del fondo
El quemador produce llamas con un patrón errático. La llama se mantiene baja cuando el quemador está en HI (fuego alto). Las llamas no corren a lo largo de todo el tubo del quemador.	¿Están limpios los quemadores?	Limpie los quemadores. (Vea la sección de "Mantenimiento".)
La parte interna de la tapa pareciera estar "pelándose". (Se parece al desprendimiento de pintura.)	La tapa es de acero inoxidable y no está pintada. No puede "pelarse". Lo que está viendo es grasa asada que se ha convertido en carbón y se está descascarando. <b>ESTO NO ES UN DEFECTO.</b>	Limpie a fondo. (Vea la sección "Limpieza".)
<b>Si los problemas no pueden corregirse usando cualquiera de estos métodos, por favor contacte al Representante de Atención al Cliente en su área usando la información de contacto en nuestro sitio web. Conéctese a <a href="http://www.weber.com">www.weber.com</a>®.</b>		

**WEBER® MALLAS CONTRA ARAÑAS/INSECTOS**

Su barbacoa o asador de gas Weber®, al igual que cualquier otro aparato de gas al aire libre, es un blanco para las arañas y demás insectos. Pueden crear sus nidos en la sección (1) del venturi del tubo quemador. Esto bloquea el flujo normal de gas, y puede causar que el gas fluya hacia atrás por la abertura del aire de combustión. Esto puede resultar en un fuego en y alrededor de las aberturas para el aire de combustión, causando un daño serio a la barbacoa o asador.

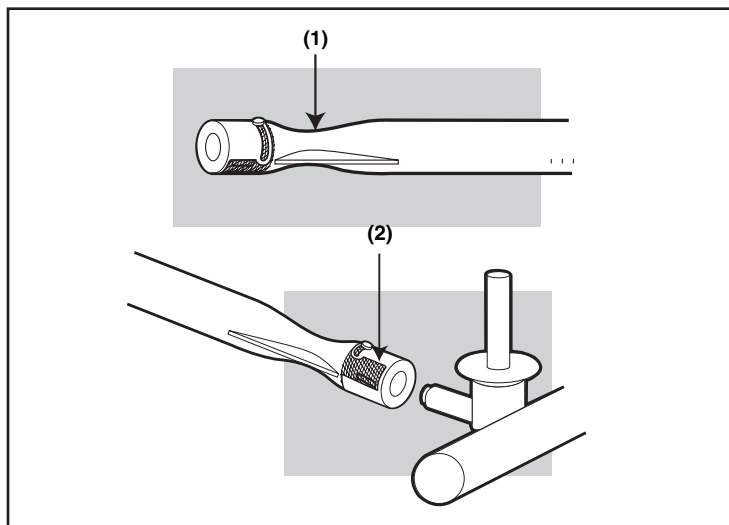
La abertura para el aire de combustión en el tubo quemador está provista con una malla de acero inoxidable (2) para prevenir la entrada de arañas e insectos a los tubos quemadores a través de dichas aberturas.

**Le recomendamos que revise estas mallas contra arañas e insectos por lo menos una vez al año. (Vea la sección: "Mantenimiento anual") También inspeccione y limpie las mallas contra arañas e insectos si cualquiera de los siguientes síntomas llegase a presentarse.**

1. Olor a gas en conjunción con llamas del quemador con una apariencia muy amarilla y floja.
- 3) La barbacoa o asador no alcanza la temperatura requerida.
- 3) La barbacoa o asador se calienta de manera dispareja.
- 4) Uno o más quemadores no se encienden.

**⚠ PELIGRO**

**El no corregir estos síntomas pudiera resultar en un fuego que puede causar lesiones corporales serias o la muerte y daños a la propiedad.**

**MANTENIMIENTO ANUAL****Inspección y limpieza de la malla contra arañas y demás insectos**

Para inspeccionar las mallas contra arañas e insectos, retire el panel de control. Si hubiese polvo o sucio sobre las mallas, saque los quemadores para limpiarlas. Con un cepillo de cerdas suaves (p.ej.: un cepillo de dientes viejo), cepille suavemente las mallas contra arañas y demás insectos.

**⚠ PRECAUCIÓN: No limpie las mallas contra arañas y demás insectos con herramientas duras o afiladas. No las desmonte ni agrande los orificios de las mismas.**

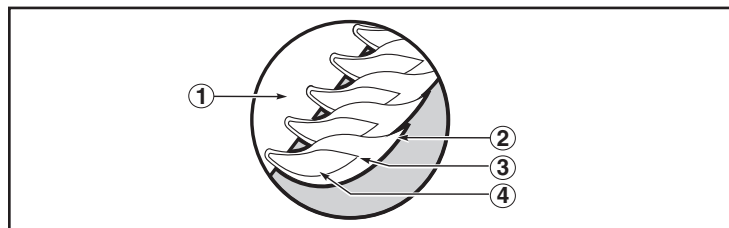
Golpee ligeramente el quemador para sacar la basura y suciedad fuera del tubo quemador. Una vez limpios, vuelva a colocar a las mallas y quemadores en su sitio. Si la malla contra arañas y demás insectos se dañase o no pudiese limpiarse, por favor póngase en contacto con el Representante de Servicios al Cliente de su zona, cuya datos de contacto encontrará en nuestro sitio en la Internet. Conéctese a [www.weber.com](http://www.weber.com).

**PATRÓN DE LA LLAMA DEL QUEMADOR PRINCIPAL**

Los quemadores de las barbacoas o asadores Weber® han sido ajustados en la fábrica para la mezcla correcta de aire y gas. Acá se muestra el patrón correcto de la llama.

- 1) Tubo quemador
- 2) Las puntas ocasionalmente titilarán con un color amarillo
- 3) Azul claro
- 4) Azul oscuro

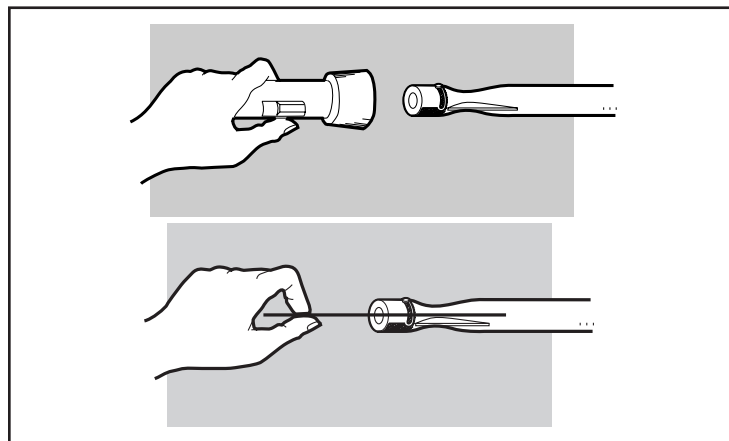
Si las llamas no se presentan de manera uniforme a lo largo del tubo quemador, siga las instrucciones de limpieza del quemador.

**PROCEDIMIENTO PARA LA LIMPIEZA DEL QUEMADOR PRINCIPAL****Cierre el suministro de gas.**

Retire el múltiple (Vea "Reemplazo de los quemadores principales")  
Revise la parte interna del quemador con una linterna.

Limpie la parte interna de los quemadores con un alambre (un colgador de ropa enderezado funcionará bien). Revise y limpie la abertura de las compuertas de cierre del aire en los extremos de los quemadores. Revise y limpie los orificios de las válvulas en la base del orificio del quemador. Utilice un cepillo de cerdas de acero para limpiar la parte externa de los quemadores. Esto es para asegurarse de que las aberturas de los quemadores estén completamente abiertas.

**⚠ PRECAUCIÓN: Al limpiar, no agrande las aberturas del quemador.**





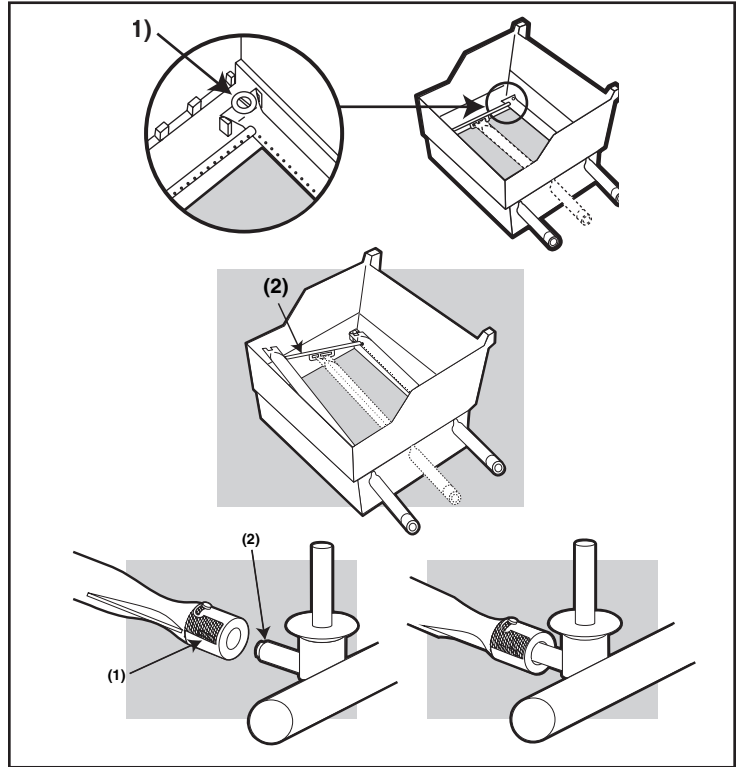
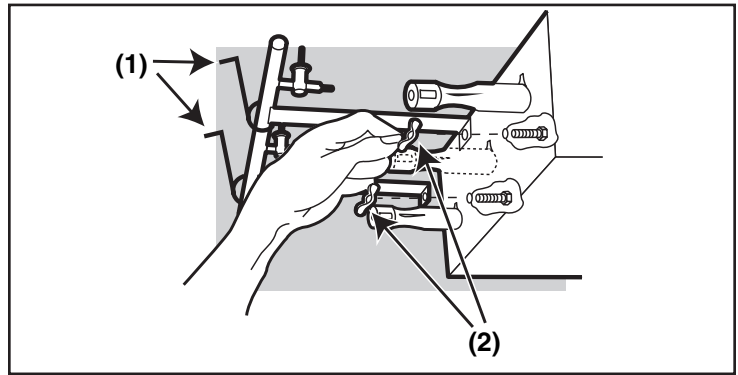
**REEMPLAZO DE LOS QUEMADORES PRINCIPALES**

- 1) Su asador de gas Weber® debe estar APAGADO y enfriado.
- 2) CIERRE el gas en la fuente.
- 3) Para retirar el panel de control: saque las perillas de control de los quemadores. Saque los tornillos que mantienen al panel de control en su sitio. Levante y saque el panel de control.
- 4) Desenganche el soporte del múltiple (1) y destornille las dos tuercas de aleta (2) que unen el múltiple a la caja de cocción. Hale el conjunto de múltiple y válvula fuera de los quemadores y póngalo cuidadosamente sobre el suelo.
- 5) Deslice el conjunto de quemadores por debajo del tornillo guía y arandela (1) en las esquinas de la caja de cocción.
- 6) Levante y gire levemente el conjunto de quemadores, para separar al tubo Crossover (1) de los quemadores. Saque los quemadores de la caja de cocción.
- 7) Para reinstalar los quemadores, proceda con los pasos 3) al 7) en reverso.

**⚠ PRECAUCIÓN: Las aberturas del quemador (1) deberán posicionarse correctamente sobre los orificios de la válvula (2).**

Antes de atornillar el múltiple en su sitio, verifique que esté correctamente ensamblado.

**⚠ ADVERTENCIA: Después de reinstalar las líneas de gas y antes de usar la barbacoa o asador, deberá verificarse que no haya fugas usando una solución de agua y jabón. (Vea el paso: “Verificación de que no existen fugas de gas”)**



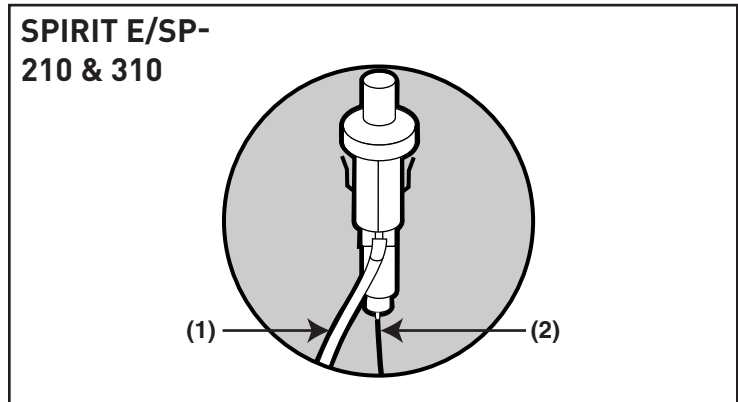
**OPERACIÓN DEL SISTEMA DE ENCENDIDO CROSSOVER®**

Si el sistema de encendido Crossover® no logra encender el quemador delantero, enciéndalo con una cerilla. Si el quemador delantero se enciende con una cerilla, entonces revise el sistema de ignición Crossover®.

- Verifique que tanto el cable de encendido blanco (1) como el negro (2) estén conectados correctamente.
- Verifique que el botón de encendido Crossover® empuja al (botón del) encendedor hacia abajo y retorna a la posición de arriba.

**Si el sistema de encendido Crossover® aún no logra el encendido, contacte a su Representante de Servicios al Cliente en su área usando la información de contacto en nuestro sitio web. Conéctese a [www.weber.com](http://www.weber.com).**

**SPIRIT E/SP-210 & 310**



# SPIRIT<sup>®</sup>



## GAS GRILL

Gril À Gaz : Guide Du Propriétaire

E -210/310  
SP-210/310

#89525



**VOUS DEVEZ LIRE CE GUIDE DE L'UTILISATEUR AVANT DE VOUS SERVIR DE VOTRE BARBECUE À GAZ**

**⚠ DANGER**

S'il y a une odeur de gaz :

1. Coupez l'admission de gaz de l'appareil.
2. Éteindre toute flamme nue.
3. Ouvrir le couvercle.
4. Si l'odeur persiste, éloignez-vous de l'appareil et appelez immédiatement le fournisseur de gaz ou le service d'incendie.

Une fuite de gaz risque de provoquer un incendie ou une explosion susceptible d'occasionner des blessures graves, voire mortelles, ou des dégâts matériels.

**⚠ AVERTISSEMENT**

1. Ne pas entreposer ni utiliser de l'essence ni d'autres vapeurs ou liquides inflammables dans le voisinage de l'appareil, ni de tout autre appareil.
2. Une bouteille de propane qui n'est pas raccordée en vue de son utilisation, ne doit pas être entreposée dans le voisinage de cet appareil ou de tout autre appareil.

**⚠ AVERTISSEMENT** : suivez à la lettre les instructions de détection des fuites données dans ce guide avant de faire fonctionner le barbecue, même s'il a été monté par le revendeur.

**À L'INTENTION DE L'INSTALLATEUR** : Ce guide doit être remis au propriétaire, qui doit le conserver pour pouvoir s'y reporter ultérieurement.

**CET APPAREIL À GAZ EST CONÇU POUR ÊTRE UTILISÉ EN PLEIN AIR UNIQUEMENT.**

**⚠ AVERTISSEMENT** : n'essayez pas d'allumer cet appareil sans avoir lu la section « Allumage » de ce guide.



**⚠ DANGER**

L'inobservation des avis Danger, Avertissement et Attention figurant dans ce guide peut entraîner des blessures graves, voire mortelles, ainsi qu'un incendie ou une explosion susceptibles de provoquer des dégâts matériels.

**⚠ AVERTISSEMENTS**

- ⚠ N'entrez pas une bouteille de gaz de rechange ou débranchée sous ce barbecue ni à proximité de celui-ci.
- ⚠ Un montage incorrect peut s'avérer dangereux. Veuillez suivre à la lettre les instructions de montage données dans ce guide.
- ⚠ A l'issue d'une période d'entreposage et/ou de non utilisation, il convient de contrôler le barbecue à gaz Weber® avant de s'en servir pour s'assurer de l'absence de fuites de gaz ou d'obstruction des brûleurs. Voir les instructions données dans ce guide pour la façon correcte d'y procéder.
- ⚠ Ne faites pas fonctionner le barbecue à gaz Weber® en cas de fuite de gaz.
- ⚠ Ne vous servez pas d'une flamme pour rechercher des fuites de gaz.
- ⚠ Aucune matière combustible ne devrait jamais se trouver à moins de 24 pouces (60 cm) de l'arrière ou des côtés de votre barbecue à gaz Weber®.
- ⚠ Ne placez pas une housse à barbecue ni des produits inflammables sur ou dans l'espace de rangement qui se trouve sous le barbecue.
- ⚠ Votre barbecue à gaz Weber ne doit jamais être utilisé par des enfants. Ses parties accessibles risquent d'être brûlantes. Ne laissez pas de jeunes enfants s'approcher du barbecue quand il est allumé.
- ⚠ Prenez des précautions raisonnables quand vous vous servez de votre barbecue à gaz Weber®. Il devient brûlant quand vous cuisinez ou le nettoyez et il convient de ne jamais le laisser sans surveillance ni de le déplacer alors qu'il est allumé.
- ⚠ Si les brûleurs s'éteignent en cours de fonctionnement, fermez tous les robinets de gaz. Ouvrez le couvercle et attendez cinq minutes avant d'essayer de rallumer l'appareil conformément aux instructions d'allumage.
- ⚠ N'utilisez pas de charbon de bois, de briquettes ni de pierres de lave dans votre barbecue à gaz Weber®.
- ⚠ Ne vous penchez jamais au-dessus du barbecue ouvert et ne placez jamais vos mains ni vos doigts sur le rebord avant de la cuve.
- ⚠ En cas d'inflammation de graisse, éteignez tous les brûleurs et laissez le couvercle fermé jusqu'à extinction du feu.
- ⚠ Lorsque vous nettoyez les robinets ou les brûleurs, n'agrandissez pas leurs orifices.
- ⚠ Il convient de nettoyer régulièrement à fond le barbecue à gaz Weber®.
- ⚠ Le propane liquéfié n'est pas un gaz naturel. La conversion d'un appareil à gaz naturel au propane liquéfié ou vice versa, de même qu'une tentative d'utilisation de l'un de ces gaz dans un appareil conçu pour l'autre, sont dangereuses et annuleront la garantie.
- ⚠ N'essayez pas de débrancher tout raccord de gaz alors que le barbecue est allumé.
- ⚠ Portez des gants à barbecue ou de cuisine résistant à la chaleur pour vous servir du barbecue.
- ⚠ Gardez tout cordon d'alimentation électrique et tuyau d'alimentation en combustible à l'écart des surfaces chauffées.
- ⚠ N'utilisez ce barbecue que si toutes les pièces sont en place. L'appareil doit être correctement monté conformément aux instructions présentées dans les « Instructions de montage ».

**APPAREILS À PROPANE LIQUÉFIÉ UNIQUEMENT :**

- ⚠ Utilisez l'ensemble régulateur de pression et tuyau fourni avec votre barbecue à gaz Weber®.
- ⚠ Ne tentez pas de débrancher l'ensemble régulateur de gaz et tuyau ni tout autre raccord de gaz pendant l'utilisation de votre barbecue.
- ⚠ Une bouteille de propane liquéfié cabossée ou rouillée risque d'être dangereuse et doit être contrôlée par votre fournisseur de gaz. Ne vous servez pas d'une bouteille dont le robinet est endommagé.
- ⚠ Même si votre bouteille de gaz semble être vide, il se peut qu'il y reste du gaz. Il convient d'en tenir compte pour la transporter et l'entreposer.
- ⚠ Si vous percevez l'odeur ou le sifflement de gaz s'échappant de la bouteille de propane liquéfié :

1. Éloignez-vous de la bouteille de propane liquéfié.
2. N'essayez pas de résoudre le problème vous-même.
3. Appelez les pompiers.

Votre barbecue à gaz Weber® est un appareil mobile permettant de pratiquer la cuisine en plein air. Vous pouvez grâce à lui griller, rôtir et cuire en obtenant des résultats difficiles à reproduire avec les appareils de votre cuisine. La cuisson avec le couvercle fermé et les barres Flavorizer® donne aux aliments leur saveur « de plein air ».

Le barbecue à gaz Weber® est mobile, ce qui vous permet de le déplacer facilement dans votre jardin ou sur votre patio. Sa mobilité signifie que vous pouvez l'emporter avec vous si vous déménagez. Le propane liquéfié est d'un emploi facile et vous permet de mieux contrôler la cuisson que le charbon de bois.

- Les instructions qui suivent vous indiquent les spécifications minima de montage de votre barbecue à gaz Weber. Veuillez les lire attentivement avant de vous servir de celui-ci. Les erreurs de montage risquent d'avoir des conséquences dangereuses.
- Le barbecue ne doit pas être utilisé par des enfants.
- Si des codes locaux s'appliquent aux grills à gaz portatifs, vous devrez les respecter. En l'absence de codes locaux, vous devez vous conformer à la dernière édition du Code national sur les carburants : ANSI Z 223.1/NFPA 54, au Code relatif aux installations au gaz naturel et au propane, CSA B149.1 ou au Code relatif au stockage et à la manipulation du propane, B149.2
- Vous devez utiliser le détendeur fourni avec le barbecue à gaz Weber. Il est réglé à une pression de 26.7 cm à la colonne d'eau.
- Ce barbecue à gaz Weber® est conçu pour fonctionner au propane liquéfié uniquement. Ne le raccordez pas à l'arrivée de gaz naturel (gaz de ville). Les robinets et les orifices sont conçus exclusivement pour le propane liquéfié.
- Ne vous en servez pas avec du charbon de bois.
- Vérifiez que la zone qui se trouve sous le panneau de commande et le plateau inférieur sont libres de débris risquant de gêner la circulation de l'air de combustion ou de ventilation.
- Les alentours de la bouteille de propane liquéfié doivent être dégagés et libres de débris.

### INSTALLATION AU CANADA

Les instructions qui précèdent, bien que généralement acceptables, ne respectent pas nécessairement les règlements d'installation canadiens, en particulier dans le domaine des canalisations en surface et souterraines. Au Canada, l'installation de cet appareil doit respecter les règlements locaux et/ou la norme CSA-B149.2 (Règlement d'installation des appareils et du matériel fonctionnant au propane).

### UTILISATION

- ⚠ **AVERTISSEMENT: n'utilisez ce barbecue qu'en plein air, dans un endroit bien aéré. Ne vous en servez pas dans un garage, un bâtiment, un passage couvert ni dans tout autre local fermé.**
- ⚠ **MISE EN GARDE : Votre barbecue à gaz Weber® ne doit pas être utilisé sous une construction suspendue inflammable.**
- ⚠ **AVERTISSEMENT: ne faites jamais fonctionner votre barbecue à gaz Weber sous un toit ou un encorbellement inflammable non protégé.**
- ⚠ **AVERTISSEMENT: votre barbecue à gaz Weber® n'est pas**

### CUISSON

- ⚠ **AVERTISSEMENT: ne déplacez pas le barbecue à gaz Weber® lorsqu'il est allumé ou encore chaud.**

Vous pouvez régler comme vous le souhaitez les brûleurs AVANT et ARRIÈRE. Les réglages possibles H (High = maximum), M (Medium = moyen), L (Low = minimum) et O (Off = fermé) sont décrits dans votre livre de cuisine Weber®. Ces abréviations sont utilisées dans celui-ci pour décrire le réglage des brûleurs AVANT et ARRIÈRE. Par exemple, pour saisir des steaks, vous devez régler tous les brûleurs sur H (maximum). Puis, pour achever la cuisson, réglez les brûleurs AVANT et ARRIÈRE sur M (moyen). Voir le livre de cuisine Weber® pour des instructions détaillées concernant la cuisson.

*Remarque : les premières fois que vous vous servez du barbecue, il se peut que les températures à l'intérieur de la cuve, dont les surfaces renvoient encore une grande quantité de chaleur, soient plus élevées que celles qui sont indiquées dans le livre de cuisine. Les conditions de cuisson, telles que le vent et le temps qu'il fait, peuvent exiger un réglage des manettes pour obtenir les températures de cuisson correctes.*

**Préchauffage** - votre barbecue à gaz Weber® est un appareil économique qui consomme peu d'énergie. Pour le préchauffer après l'avoir allumé, fermez le couvercle et tournez tous les brûleurs en position maximum (HH). Un préchauffage à 260-290 °C demande de 10 à 15 minutes suivant les conditions atmosphériques telles que la température et le vent.

**Jus et graisse** - les barres Flavorizer® sont conçues pour « faire partir en fumée » la quantité correcte de jus requise pour donner aux aliments leur délicieuse saveur.

conçu pour être installé dans un véhicule de loisirs ni sur un bateau.

- ⚠ **AVERTISSEMENT: ne vous servez pas de matières combustibles à moins de 60 cm du haut, du bas, de l'arrière ou des côtés du barbecue.**
- ⚠ **AVERTISSEMENT: toute la cuve devient brûlante quand le barbecue est allumé. Ne laissez jamais ce dernier sans surveillance.**
- ⚠ **AVERTISSEMENT: n'approchez aucun cordon d'alimentation électrique ni le tuyau d'alimentation en gaz d'une surface chauffée quelconque**
- ⚠ **AVERTISSEMENT: veillez à ce que l'aire d'utilisation reste libre de tout liquide ou vapeur inflammable tel qu'essence, alcool, etc. et de matières combustibles.**
- ⚠ **AVERTISSEMENT: n'entreposez jamais une bouteille de propane liquéfié de rechange sous le barbecue à gaz Weber ni près de lui.**
- ⚠ **La bouteille de PL utilisée avec votre barbecue doit être pourvue d'un dispositif de protection OPD (Overfilling Prevention Device) et d'un raccordement de bouteille QCC1 ou de type 1 (CGA810). Le raccord de la bouteille doit être compatible avec celui du barbecue.**

### ENTREPOSAGE ET/OU NON-UTILISATION

- Le gaz doit être coupé à l'entrée de la bouteille de propane liquéfié lorsque le barbecue au gaz Weber® n'est pas utilisé.
- Lorsque le barbecue au gaz Weber® est entreposé à l'intérieur, l'alimentation en gaz doit être DÉCONNECTÉE et la bouteille de propane liquéfié entreposée à l'extérieur, dans un endroit bien aéré.
- La bouteille de propane liquéfié doit être entreposée à l'extérieur, dans un endroit bien aéré et hors d'atteinte des enfants. La bouteille de propane liquéfié débranchée ne doit pas être entreposée dans un bâtiment, un garage ou tout autre endroit fermé.
- Lorsque la bouteille de propane liquéfié n'est pas débranchée du barbecue au gaz Weber®, tous deux doivent être entreposés à l'extérieur, dans un endroit bien aéré.
- Le barbecue au gaz Weber® doit être vérifié avant usage pour déceler toute fuite ou toute obstruction dans les tuyaux des brûleurs. (Voir les sections Entretien général et Entretien annuel.)
- S'assurer que les secteurs situés sous le panneau de commande et le plateau inférieur amovible sont dénués de débris qui pourraient obstruer le libre passage de l'air de combustion ou de ventilation.
- Les écrans pare-araignées/insectes doivent également être vérifiés pour déceler toute obstruction. (Voir la section Entretien annuel.)

L'excédent de jus et de graisse est recueilli par la lèche-frite qui se trouve sous le plateau inférieur. Des barquettes jetables en feuille d'aluminium s'adaptant à la lèche-frite sont disponibles.

- ⚠ **AVERTISSEMENT: vérifiez le plateau inférieur avant chaque utilisation pour voir si de la graisse s'y est accumulée. Enlevez l'excédent de graisse pour éviter que celle-ci ne s'enflamme dans le plateau.**

### NETTOYAGE

- ⚠ **AVERTISSEMENT: ÉTEIGNEZ le barbecue à gaz Weber® et attendez qu'il ait refroidi avant de le nettoyer.**
- ⚠ **ATTENTION: ne nettoyez pas les barres Flavorizer® ni les grilles de cuisson dans un four auto-nettoyant. Pour connaître la disponibilité des grilles de cuisson de rechange et des barres Flavorizer®, veuillez contacter le Représentant du service client de votre région à l'aide des coordonnées disponibles sur notre site Internet. Connectez-vous sur [www.weber.com](http://www.weber.com).**

**Surfaces extérieures** - utilisez de l'eau savonneuse chaude.

**⚠ ATTENTION: N'utilisez pas de produit nettoyant pour fours, de détergents abrasifs (poudre à récurer), de produits d'entretien contenant du citron ni de tampons nettoyants abrasifs sur les surfaces du barbecue et du chariot.**

**Plateau inférieur** - enlevez l'excédent de graisse, puis lavez le plateau à l'eau savonneuse chaude, puis rincez-le.

**Barres Flavorizer® et grilles de cuisson** - nettoyez-les avec une brosse en laiton appropriée. Le cas échéant, retirez-les du barbecue et lavez-les à l'eau savonneuse chaude, puis rincez-les à l'eau.

**Lèchefrite** - des barquettes jetables en aluminium sont disponibles. Vous pouvez également couvrir la lèchefrite d'une feuille d'aluminium. Pour nettoyer la lèchefrite, lavez-la à l'eau savonneuse chaude, et rincez-la.

**Intérieur de la cuve** - brossez les tubes de brûleurs pour enlever tout débris. **N'AGRANDISSEZ PAS LES ORIFICES (OUVERTURES) DES BRÛLEURS.** Lavez l'intérieur de la cuve à l'eau savonneuse chaude, puis rincez-la.

**Intérieur du couvercle** - tant que le couvercle est encore chaud, essuyez-en l'intérieur avec du papier essuie-tout pour empêcher un écaillage dû à une accumulation de graisse.

**Surfaces en acier inoxydable - Préservez votre acier inoxydable** - Votre grill ou son meuble, son couvercle, son panneau de commande et ses étagères sont peut-être en acier inoxydable. Il est facile de maintenir l'acier inoxydable dans son meilleur aspect. Nettoyez-le à l'eau savonneuse, rincez à l'eau claire et essuyez-le pour le sécher. Pour les particules tenaces, l'utilisation d'une brosse non métallique est possible.

**⚠ IMPORTANT: N'utilisez pas de brosse métallique ni de détergents abrasifs sur les surfaces en acier inoxydable de votre grill car cela produirait des rayures.**

**⚠ IMPORTANT: Lorsque vous nettoyez les surfaces, veillez à frotter/essuyer dans le sens du grain afin de préserver l'aspect de votre acier inoxydable.**

Surfaces en plastique thermodurci - lavez-les avec un chiffon doux imbibé d'eau savonneuse. N'utilisez pas de produits d'entretien contenant de l'acide, du white spirit ou du xylène. Rincez bien après le nettoyage. Les plans de travail en plastique thermodurci ne doivent pas être utilisés comme planches à découper.

## INSTRUCTIONS POUR LE GAZ

### IMPORTANTES INFORMATIONS CONCERNANT LA BOUTEILLE DE PROPANE LIQUÉFIÉ

Le fait de ne pas respecter à la lettre ces avis **DANGER** peut résulter en un incendie susceptible d'entraîner des blessures graves voire mortelles.

#### **⚠ DANGER**

**N'entreposez JAMAIS une bouteille de propane liquéfié de réserve sous ce barbecue ni à proximité de celui-ci. Ne remplissez JAMAIS la bouteille à plus de 80 %.**

Votre grill à gaz Weber® est équipé pour un dispositif d'alimentation par bouteille conçu pour un retrait par la vapeur.

**⚠ AVERTISSEMENT: n'utilisez ce barbecue qu'en plein air dans un endroit bien aéré. Ne vous en servez pas dans un garage, un bâtiment, un passage couvert ni tout autre endroit clos.**

Il s'agit d'un dispositif auxiliaire destiné à empêcher un remplissage excessif de la bouteille. Les méthodes de remplissage correct de la bouteille sont celles qui sont basées sur le poids ou le volume et sont décrites par la norme NFPA 58. Veuillez vous assurer que votre fournisseur de gaz remplit la bouteille en se basant sur le poids ou le volume. Demandez-lui de lire les instructions de purge et de remplissage qui sont données sur la bouteille avant de procéder au remplissage de celle-ci.

### VÉRIFICATION DE LA FERMETURE DE TOUS LES ROBINETS DE BRÛLEURS

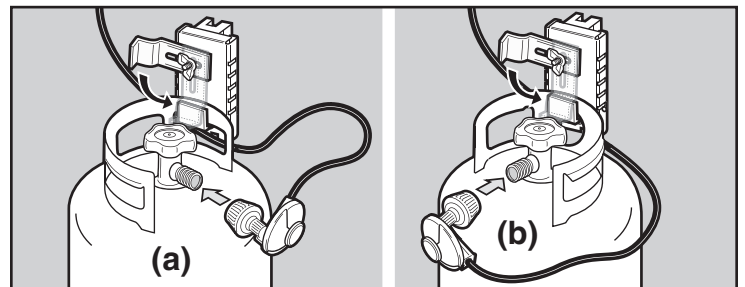
Les robinets sont expédiés en position FERMÉE, mais il convient de vous assurer qu'il en est bien ainsi. Placez une manette sur chaque robinet. Vérifiez la fermeture en appuyant sur les manettes et en les tournant vers la droite. Si elles ne tournent pas, les robinets sont fermés. Passez alors à l'opération suivante. Si elles tournent, continuez à les tourner vers la droite jusqu'à ce qu'elles s'arrêtent ; les robinets sont alors fermés. Passez ensuite à l'opération suivante.

### RACCORDEMENT DE LA BOUTEILLE DE PROPANE LIQUÉFIÉ

**⚠ ATTENTION: S'assurer que le robinet de la bouteille de propane liquéfié est fermé. Le fermer en tournant le robinet dans le sens des aiguilles d'une montre.**

#### **⚠ DANGER**

**Ne pas utiliser de flamme nue pour vérifier la présence de fuites de gaz. S'assurer qu'il n'y a pas d'étincelles ou de flamme nue sur les lieux lorsque l'on vérifie la présence possible de fuites. Des étincelles ou une flamme provoqueront un incendie ou une explosion qui pourraient causer de graves blessures ou la mort, ainsi que des dommages matériels.**



Certaines des bouteilles possèdent des boîtiers de manchon supérieur différents. (Le manchon supérieur est l'anneau protecteur de métal qui entoure le robinet.) Une série de bouteilles sont montées avec le robinet tourné vers l'avant. Les autres bouteilles sont montées avec le robinet tournant le dos à la jauge à combustible.

Articles nécessaires: bouteille de propane liquéfié, solution savonneuse et chiffon ou brosse pour l'appliquer.

- 1) Tourner la bouteille de propane liquéfié pour que l'ouverture du robinet se trouve à l'avant, sur le côté ou à l'arrière du barbecue au gaz Weber. Soulever la bouteille et l'accrocher à la jauge de combustible.
- 2) Desserrer l'écrou à oreilles de la bouteille. Abaisser le verrou. Resserrer l'écrou à oreilles.

#### Pour brancher le tuyau à la bouteille:

- 3) Retirer le capuchon anti-poussière du robinet.
- 4) Visser le raccord du régulateur au robinet de la bouteille dans le sens des aiguilles d'une montre, ou vers la droite. Serrer uniquement à la main.

*Remarque: Il s'agit d'un nouveau type de raccordement. Il se serre dans le sens des aiguilles d'une montre et ne permettra l'alimentation en gaz que si le raccord est serré. Le raccord ne doit être serré qu'à la main.*

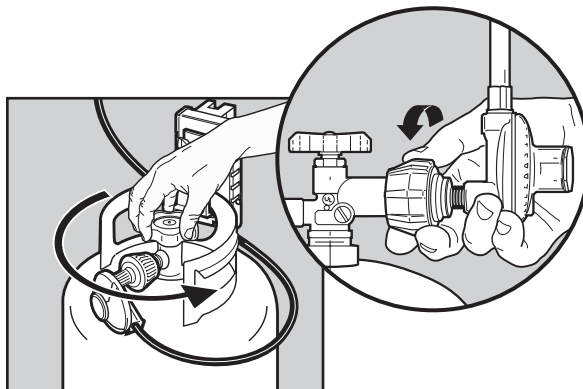
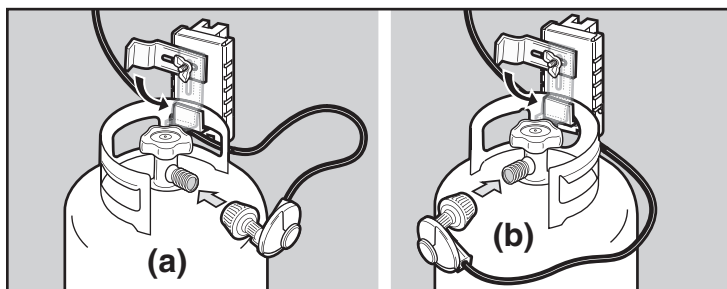
**⚠ ATTENTION: Ne pas utiliser de clé pour serrer le raccordement. Cela pourrait endommager le raccord du régulateur et provoquer une fuite.**

- 5) Mélanger de l'eau et du savon.
- 6) Ouvrir le robinet de la bouteille.
- 7) Vérifier la présence éventuelle de fuites en humectant le raccord à l'aide de la solution savonneuse et en surveillant la formation possible de bulles. Si des bulles apparaissent, ou si une bulle grossit, il y a une fuite..

S'il y a une fuite, fermer l'arrivée de gaz et resserrer le raccord. Rouvrir l'arrivée de gaz et vérifier à nouveau à l'aide de la solution savonneuse.

Si la fuite persiste, veuillez contacter le Représentant du service client de votre région à l'aide des coordonnées disponibles sur notre site Internet. Connectez-vous sur [www.weber.com](http://www.weber.com).

- 8) Lorsque la vérification des fuites éventuelles est terminée, fermer l'alimentation en gaz à la source et rincer les raccordements avec de l'eau.



#### RETIRER LE PANNEAU DE COMMANDE ET LES MANETTES DE RÉGLAGE.

Outil nécessaire : tournevis Phillips.

- 1) Retirer les manettes de réglage.
- 2) Au moyen du tournevis Phillips, retirer les vis à travers les fentes des garnitures.
- 3) Tirer le bouton d'allumeur jusqu'à ce qu'il se bloque en position haute et retirer le panneau de commande du barbecue.
- 4) Replacer le panneau de commande une fois la vérification des fuites terminée.

#### DÉTECTION DES FUITES DE GAZ

##### ⚠ DANGER

**Ne vous servez pas d'une flamme nue pour la détection des fuites de gaz. Assurez-vous qu'aucune étincelle ou flamme nue n'est produite à l'endroit où vous procédez à cette opération pour éviter tout risque d'incendie ou d'explosion susceptible d'occasionner des blessures graves, voire mortelles, et de provoquer des dégâts matériels.**

**⚠ AVERTISSEMENT: vérifiez l'absence de fuites de gaz chaque fois que vous débranchez et rebranchez un raccord de gaz.**

*Remarque: l'étanchéité de tous les branchements réalisés à l'usine a été soigneusement vérifiée. Les brûleurs ont été soumis à un essai de flamme. Par mesure de sécurité, vérifiez qu'aucun raccord ne fuit avant de vous servir de votre barbecue à gaz Weber. Un raccord de gaz peut en effet avoir été desserré ou endommagé en cours de transport et de maintenance.*

**⚠ AVERTISSEMENT: procédez à ces opérations de détection de fuites même si votre barbecue a été monté par un revendeur ou en magasin.**

Il vous faut: de l'eau savonneuse et un chiffon ou une brosse pour l'appliquer.

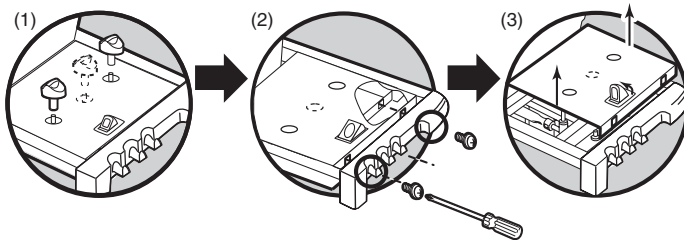
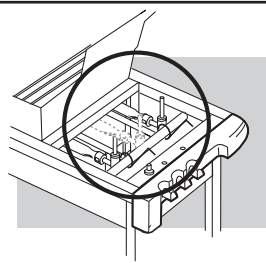
*Remarque: dans la mesure où certaines solutions utilisées pour contrôle d'étanchéité, y compris l'eau savonneuse, peuvent être légèrement corrosives, il convient de rincer tous les branchements à l'eau après une recherche de fuites.*

Pour détecter les fuites : assurez-vous que tous les brûleurs sont éteints. Ouvrez l'arrivée de gaz.

**⚠ AVERTISSEMENT: n'allumez pas les brûleurs lorsque vous contrôlez l'étanchéité.**

Recherchez les fuites en mouillant les branchements avec de l'eau savonneuse et en surveillant l'apparition éventuelle de bulles. Si des bulles se forment ou si une bulle de savon grossit, il y a une fuite.

#### SPIRIT E/SP-210 & 310



Vérifiez :

- 1) Le raccordement du tuyau au collecteur.
- 2) Le raccordement du détendeur à la bouteille.

**⚠ AVERTISSEMENT: en cas de fuite au niveau du raccordement (1), resserrez le raccord à l'aide d'une clé et vérifiez-le pour voir s'il fuit en le mouillant avec de l'eau savonneuse. Si une fuite persiste après le resserrement du raccord, COUPEZ l'arrivée de gaz. NE VOUS SERVEZ PAS DU BARBECUE. Veuillez contacter le Représentant du service client de votre région à l'aide des coordonnées disponibles sur notre site Internet. Connectez-vous sur [www.weber.com](http://www.weber.com).**

Vérifiez :

- 3) Les raccordements des robinets au collecteur.
- 4) Le raccordement du tuyau au détendeur.

**⚠ AVERTISSEMENT: en cas de fuite au niveau des raccordements (2), (3) ou (4), COUPEZ l'arrivée de gaz. NE VOUS SERVEZ PAS DU BARBECUE. Veuillez contacter le Représentant du service client de votre région à l'aide des coordonnées disponibles sur notre site Internet. Connectez-vous sur [www.weber.com](http://www.weber.com).**

Une fois le contrôle d'étanchéité terminé, COUPEZ l'alimentation en gaz à la source et rincez les raccords à l'eau.

### REMPLISSAGE DE LA BOUTEILLE DE PROPANE LIQUÉFIÉ

Nous recommandons de faire remplir la bouteille de propane liquéfié avant qu'elle soit complètement vidée.

#### Retrait de la bouteille de propane liquéfié

- 1) Fermez le robinet de la bouteille (en le tournant vers la droite).
- 2) Dévissez le raccord de détendeur en le tournant (à la main uniquement) vers la gauche.
- 3) Desserrez l'écrou à oreilles de verrouillage de la bouteille et relevez le dispositif de verrouillage pour qu'il ne vous gêne pas.
- 4) Soulevez la bouteille pour l'enlever.

Pour faire remplir la bouteille, amenez-la chez un revendeur de propane liquéfié.

**⚠ AVERTISSEMENT: nous vous recommandons de faire remplir votre bouteille chez un fournisseur agréé de propane liquéfié par un employé qualifié qui procède au remplissage en se basant sur le poids. UN REMPLISSAGE INCORRECT EST DANGEREUX.**

**⚠ ATTENTION: Mettre un bouchon antipoussière sur la sortie du robinet d'une bouteille qui n'est pas utilisée. Utiliser uniquement le type de bouchon antipoussière fourni avec le robinet de la bouteille. D'autres types de bouchons pourraient ne pas être étanches et permettre des fuites de propane.**

### CONTRÔLE DU NIVEAU DE COMBUSTIBLE CONTENU DANS LA BOUTEILLE

Contrôlez le niveau de combustible en regardant la ligne colorée indiquant le niveau qui se trouve sur le côté de la jauge de combustible.

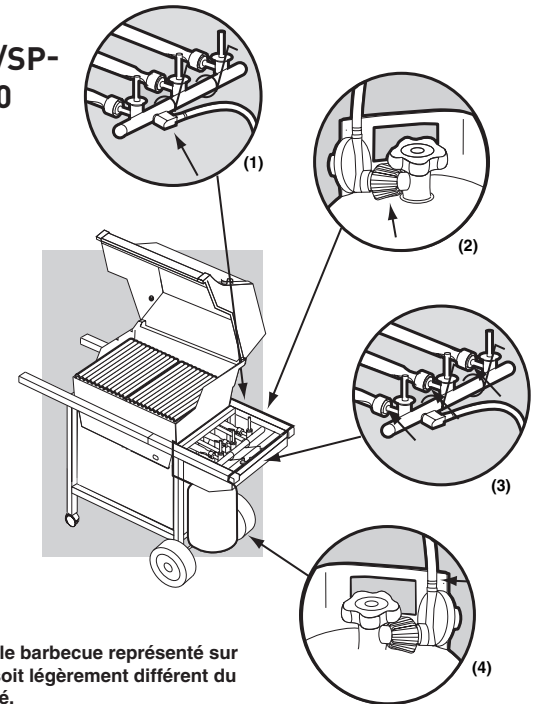
- 1) Vide
- 2) À moitié vide
- 3) Pleine

### CONSEILS DE MANIPULATION DES BOUTEILLES DE PROPANE LIQUÉFIÉ EN TOUTE SÉCURITÉ

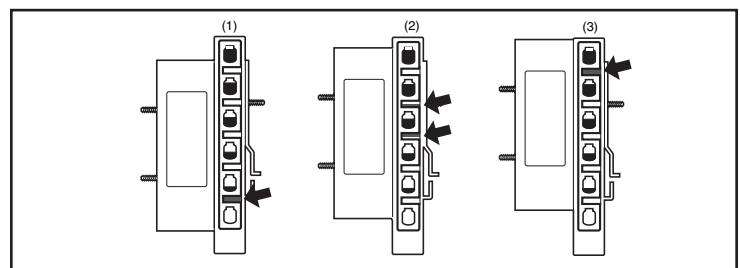
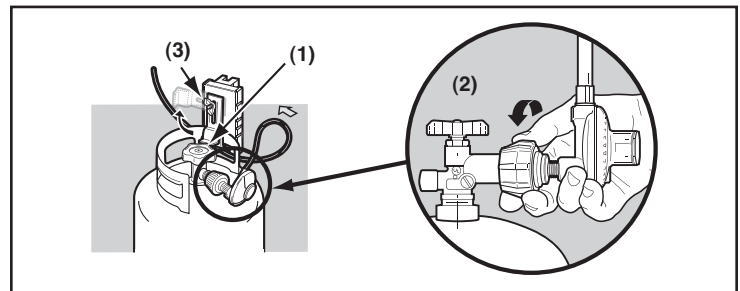
- Le propane liquéfié est un produit pétrolier, au même titre que l'essence et le gaz naturel. Le propane est gazeux à température et pression normales. Lorsqu'il est sous pression modérée dans une bouteille, il prend une forme liquide. Lorsque la pression se dissipe, le liquide se vaporise rapidement et se gazéifie.
- Le propane liquéfié a une odeur semblable à celle du gaz naturel. Vous devriez pouvoir la reconnaître.
- Le propane liquéfié est plus lourd que l'air. En cas de fuite, il risque de se concentrer dans les zones basses, ce qui l'empêche de se dissiper.
- Faites remplir la bouteille en l'amenant dans un centre de véhicules de loisirs ou consultez la rubrique « Gaz propane » de l'annuaire du téléphone pour y trouver d'autres fournisseurs de propane liquéfié.

**⚠ AVERTISSEMENT: nous vous recommandons de faire remplir votre bouteille chez un fournisseur agréé de**

### SPIRIT E/SP-210 & 310



\*Il se peut que le barbecue représenté sur l'illustration soit légèrement différent du modèle acheté.



### propane liquéfié par un employé qualifié qui procède au remplissage en se basant sur le poids. UN REMPLISSAGE INCORRECT EST DANGEREUX.

- Une bouteille neuve doit être purgée de l'air qu'elle contient avant d'être remplie pour la première fois. Votre fournisseur de propane liquéfié est équipé pour procéder à cette opération.
- La bouteille de propane liquéfié doit être mise en place, transportée et rangée en position verticale. Ne la laissez pas tomber et manipulez-la avec précaution.
- Ne rangez ni ne transportez jamais la bouteille de propane liquéfié dans un endroit où les températures peuvent dépasser 51 °C (lorsqu'elle devient trop chaude pour être touchée - par exemple, ne laissez jamais une bouteille dans une voiture s'il fait chaud).

*Remarque: une bouteille remplie permet de cuisiner pendant 20 heures environ dans des conditions d'utilisation normales. La jauge de combustible indique la quantité de propane restant dans la bouteille que vous pouvez ainsi faire remplir avant qu'elle soit vide. Il n'est pas nécessaire d'attendre qu'elle soit vide pour la faire remplir.*

- Manipulez les bouteilles de propane liquéfié « vides » avec autant de précaution que les pleines. Même quand la bouteille ne contient plus de liquide, il se peut qu'il y reste du gaz sous pression. Fermez toujours le robinet de la bouteille avant de débrancher cette dernière.

**⚠ ATTENTION: Mettre un bouchon antipoussière sur la sortie du robinet d'une bouteille qui n'est pas utilisée. Utiliser uniquement le type de bouchon antipoussière fourni avec le robinet de la bouteille. D'autres types de bouchons pourraient ne pas être étanches et permettre des fuites de propane.**

- N'utilisez pas une bouteille de propane liquéfié endommagée. Les bouteilles cabossées ou rouillées, ainsi que celles dont le robinet est endommagé, peuvent être dangereuses et doivent être remplacées immédiatement par des neuves.

#### Bouteille(s) de propane liquéfié

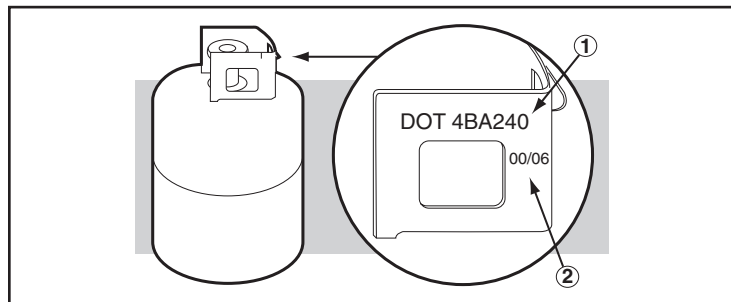
- Le raccordement du tuyau à la bouteille doit faire l'objet d'un contrôle d'étanchéité chaque fois que la bouteille est rebranchée. Par exemple, effectuer ce contrôle après chaque remplissage de la bouteille.
- Veillez à ce que le détendeur soit monté avec son petit évent en bas de façon à ce que de l'eau ne puisse pas y pénétrer. Cet évent doit être libre de crasse, de graisse, d'insectes, etc.
- La bouteille de propane liquéfié et les raccords fournis avec votre barbecue à gaz Weber ont été conçus et contrôlés pour garantir leur conformité aux spécifications du gouvernement américain, de l'American Gas Association et des Underwriters Laboratories.

#### Spécifications applicables aux bouteilles de propane liquéfié

**⚠ AVERTISSEMENT: les bouteilles de recharge doivent pouvoir se raccorder au détendeur fourni avec ce barbecue.**

Remarque: votre revendeur peut vous aider à trouver une bouteille de recharge pouvant se raccorder à votre barbecue.

- Tous les systèmes d'alimentation par bouteille de propane liquéfié doivent être équipés d'un collet destiné à protéger le robinet de la bouteille.
- La bouteille de propane liquéfié doit être du modèle 9 kg (46,3 cm de haut et 31,1 cm de diamètre).
- La bouteille de propane liquéfié doit être fabriquée et marquée conformément aux spécifications qui lui sont applicables.



## MODE D'EMPLOI

### ALLUMAGE

Des instructions d'allumage succinctes sont données sur le panneau de commande.

#### ⚠ DANGER

**Si vous n'ouvrez pas le couvercle pour allumer le barbecue ou n'attendez pas 5 minutes pour laisser le gaz se dissiper si le barbecue ne s'allume pas, vous risquez de provoquer une flambée soudaine explosive pouvant occasionner des blessures graves, voire mortelles.**

#### Système d'allumage Crossover®

Remarque : le système d'allumage Crossover allume le brûleur avant au moyen d'une étincelle jaillissant de l'électrode qui se trouve dans la chambre d'allumage Gas Catcher™. Vous produisez l'énergie nécessaire pour produire l'étincelle en appuyant sur le bouton d'allumage Crossover jusqu'à ce qu'il émette un déclic.

**⚠ AVERTISSEMENT: avant chaque utilisation du barbecue, vérifiez que le tuyau n'est pas entaillé, fendillé, usé par frottement ni coupé. S'il se révèle endommagé en quoi que ce soit, ne vous servez pas du barbecue. Ne le remplacez que par un tuyau de recharge agréé par Weber. Veuillez contacter le Représentant du service client de votre région à l'aide des coordonnées disponibles sur notre site Internet. Connectez-vous sur [www.weber.com](http://www.weber.com)®.**

- Ouvrez le couvercle.
- Assurez-vous que toutes les manettes de réglage sont en position OFF (fermée). (Enfoncez chaque manette de réglage et tournez-la vers la droite pour vérifier qu'elles sont en position fermée.)

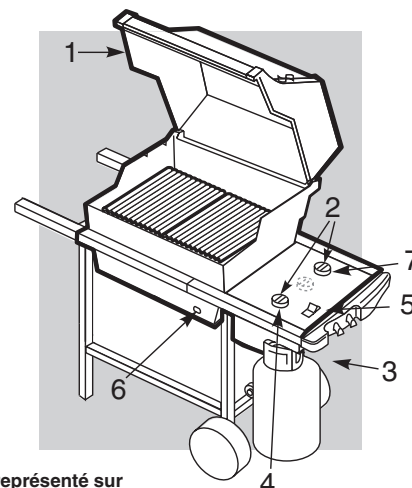
**⚠ AVERTISSEMENT: vous devez mettre les manettes de réglage en position OFF (fermée) avant d'ouvrir le robinet de la bouteille de propane liquéfié. Sinon, lorsque vous ouvrez ce robinet, le dispositif de contrôle de débit excessif de gaz s'active pour limiter le débit du gaz sortant de la bouteille. Si cela se produit, FERMEZ le robinet de la bouteille de propane liquéfié et tournez les manettes de réglage en position OFF (fermée), puis recommencez l'opération.**

#### ⚠ DANGER

**Lorsque le dispositif de contrôle de débit excessif de gaz est activé, une petite quantité de gaz continue à alimenter les brûleurs. Attendez au moins 5 minutes après avoir FERMÉ le robinet de la bouteille et tourné les manettes de réglage en position OFF (fermée) pour permettre au gaz de se dissiper avant d'allumer le barbecue. Sinon, vous risquez de provoquer une flambée soudaine explosive pouvant entraîner des blessures graves, voire mortelles.**

### ALLUMAGE DU BRÛLEUR PRINCIPAL

#### SPIRIT E/SP-210 & 310



\*Il se peut que le barbecue représenté sur l'illustration soit légèrement différent du modèle acheté.



3) Ouvrez la bouteille en tournant son robinet vers la gauche.

**⚠ AVERTISSEMENT: ne vous penchez pas au-dessus du barbecue ouvert. N'approchez pas votre visage ni le reste de votre corps à moins de 30 centimètres du trou d'allumage par allumette quand vous mettez le barbecue en marche.**

4) Appuyez sur la manette de réglage du brûleur avant et tournez-la sur START/HI (Allumage/Maximum).

5) Appuyez plusieurs fois sur le bouton d'allumage Crossover jusqu'à ce qu'il émette un déclic à chaque fois.

6) Vérifiez que le brûleur est allumé en regardant par le trou d'allumage par allumette qui se trouve sur le devant de la cuve. Vous devez apercevoir des flammes.

**⚠ AVERTISSEMENT: si le brûleur ne s'allume pas, tournez la manette de réglage du brûleur avant en position OFF (fermée) et attendez 5 minutes pour permettre au gaz de se dissiper avant de réessayer ou d'allumer le brûleur avec une allumette.**

7) Une fois que le brûleur AVANT est allumé, vous pouvez allumer le ou les autres.

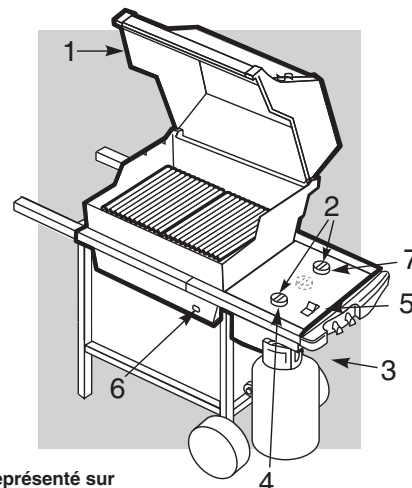
Remarque: allumez toujours le brûleur AVANT en premier. Le ou les autres sont allumés à partir de lui.

**EXTINCTION**

Appuyez sur chaque manette de réglage et tournez-la vers la droite en position OFF (Fermé), puis COUPEZ l'alimentation en gaz à la source.

**ALLUMAGE DU BRULEUR PRINCIPAL**

**SPIRIT E/SP-210 & 310**



\*Il se peut que le barbecue représenté sur l'illustration soit légèrement différent du modèle acheté.

**ALLUMAGE MANUEL**

**⚠ DANGER**

**Le fait de ne pas ouvrir le couvercle lors de l'allumage du barbecue ou de ne pas attendre 5 minutes pour laisser le gaz se dissiper si le barbecue ne s'allume pas risque de provoquer une flambée soudaine explosive pouvant entraîner des blessures graves, voire mortelles.**

1) Ouvrez le couvercle.

2) Assurez-vous que toutes les manettes de réglage sont en position OFF (fermée). (Enfoncé chaque manette de réglage et tournez-la vers la droite pour vérifier qu'elles sont en position fermée.)

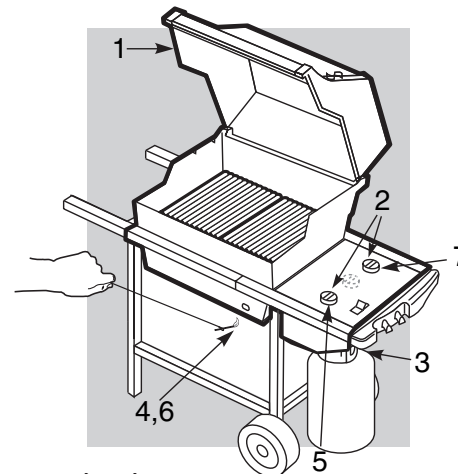
**⚠ AVERTISSEMENT: vous devez mettre les manettes de réglage en position OFF (fermée) avant d'ouvrir le robinet de la bouteille de propane liquéfié. Sinon, lorsque vous ouvrez ce robinet, le dispositif de contrôle de débit excessif de gaz s'active pour limiter le débit du gaz sortant de la bouteille. Si cela se produit, FERMEZ le robinet de la bouteille de propane liquéfié et tournez les manettes de réglage en position OFF (fermée), puis recommencez l'opération.**

**⚠ DANGER**

**Lorsque le dispositif de contrôle de débit excessif de gaz est activé, une petite quantité de gaz continue à alimenter les brûleurs. Attendez au moins 5 minutes après avoir FERMÉ le robinet de la bouteille et tourné les manettes de réglage en position OFF (fermée) pour permettre au gaz de se dissiper avant d'allumer le barbecue. Sinon, vous risquez de provoquer une flambée soudaine explosive pouvant entraîner des blessures graves, voire mortelles.**

**ALLUMAGE DU BRULEUR PRINCIPAL**

**SPIRIT E/SP-210 & 310**



\*Il se peut que le barbecue représenté sur l'illustration soit légèrement différent du modèle acheté.

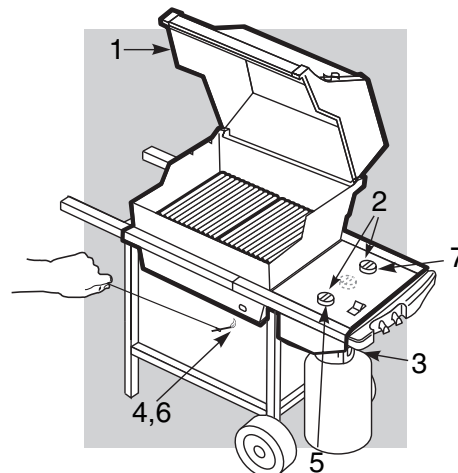
- 3) Ouvrez le robinet de la bouteille en le tournant vers la gauche.  
 4) Insérez le porte-allumette avec l'allumette allumée dans le trou d'allumage à l'allumette situé à l'avant du boîtier de cuisson.
- ⚠ **AVERTISSEMENT: ne vous penchez pas au-dessus du barbecue ouvert. N'approchez pas votre visage ni le reste de votre corps à moins de 30 centimètres du trou d'allumage par allumette quand vous mettez le barbecue en marche.**
- 5) Appuyez sur la manette de réglage du brûleur avant et tournez-la sur START/HI (Allumage/Maximum).  
 6) Vérifiez que le brûleur est allumé en regardant par le trou d'allumage par allumette qui se trouve sur le devant de la cuve. Vous devez apercevoir des flammes.
- ⚠ **AVERTISSEMENT: si le brûleur ne s'allume pas, tournez la manette de réglage du brûleur avant en position OFF (fermée) et attendez 5 minutes pour permettre au gaz de se dissiper avant de réessayer ou d'allumer le brûleur avec une allumette.**
- 7) Une fois que le brûleur AVANT est allumé, vous pouvez allumer l'autre.  
*Remarque: allumez toujours le brûleur AVANT en premier. Le ou les autres sont allumés à partir de lui.*

### EXTINCTION

Appuyez sur chaque manette de réglage et tournez-la vers la droite en position OFF (Fermé), puis COUPEZ l'alimentation en gaz à la source.

### ALLUMAGE DU BRULEUR PRINCIPAL

#### SPIRIT E/SP-210 & 310



\*Il se peut que le barbecue représenté sur l'illustration soit légèrement différent du modèle acheté.

## DÉPANNAGE

PROBLÈME	VÉRIFICATION	SOLUTION
Les brûleurs produisent une flamme jaune ou orange et il se dégage une odeur de gaz.	Inspecter les écrans pare-araignées/ insectes Weber® pour déceler les obstructions possibles. (Blocage des orifices.)	Nettoyer les écrans pare-araignées/insectes Weber®. (Voir la section Entretien annuel.)
Les brûleurs ne s'allument pas ou ils ont une petite flamme vacillante en position HI (Maximum) ou la température du barbecue n'atteint que 127 à 149 °C en position HI.	Il se peut que le dispositif de contrôle de débit excessif, qui fait partie du système de raccordement du barbecue à la bouteille, se soit déclenché.	Pour réarmer le dispositif de contrôle de débit excessif, tournez toutes les manettes de réglage et le robinet de la bouteille en position OFF (Arrêt). Débranchez le détendeur de la bouteille. Tournez les manettes de réglage en position HI (Maximum). Attendez pendant au moins 1 minute, puis remettez les manettes de réglage en position OFF. Raccordez le détendeur à la bouteille. Ouvrez doucement le robinet de cette dernière. Reportez-vous à la rubrique « Instructions d'allumage ».
Le brûleur ne s'allume pas, ou la flamme est basse en position HI (Maximum).	Le niveau de propane liquéfié est-il trop bas ou la bouteille est-elle vide ?	Faites remplir la bouteille de propane liquéfié.
	Le tuyau de combustible est-il plié ou vrillé ?	Redressez le tuyau de combustible.
	Faut-il allumer le brûleur de gauche avec une allumette ?	En cas d'allumage du brûleur de gauche avec une allumette, vérifiez le système d'allumage Crossover®.
Des flambées soudaines se produisent:  ⚠ <b>ATTENTION : Ne garnissez pas le plateau inférieur d'une feuille d'aluminium.</b>	Préchauffez-vous le barbecue à gaz de la manière prescrite ?	Pour le réchauffage, les trois brûleurs doivent être sur HI (maximum) pendant 10 à 15 minutes.
	Les grils de cuisson et les barres Flavorizer® sont-ils couverts d'une épaisse couche de graisse brûlée ?	Nettoyez-les à fond. (Voir la section «Nettoyage».)
	Le plateau inférieur est-il sale, empêchant ainsi la graisse de s'écouler dans la lèchefrite ?	Nettoyez le plateau inférieur.
Les flammes des brûleurs sont irrégulières. Les flammes sont basses alors que le brûleur est réglé sur HI (Maximum). Les flammes n'apparaissent pas sur toute la longueur du tube de brûleur.	Les brûleurs sont-ils propres ?	Nettoyez les brûleurs. (Voir la section "Maintenance générale")
L'intérieur du couvercle paraît «s'écailler». (Cela ressemble à un écaillage de peinture.)	Le couvercle est en acier émaillé. Il n'est pas peint. Il ne peut donc pas s'écailler. Les écailles que vous voyez sont de la graisse brûlée, qui s'est transformée en carbone et s'écaille. <b>CECI N'EST PAS UN DÉFAUT.</b>	(Voir la section «Nettoyage».)

Si vous ne parvenez pas à résoudre les problèmes grâce à ces méthodes, veuillez contacter le Représentant du service client de votre région à l'aide des coordonnées disponibles sur notre site Internet. Connectez-vous sur [www.weber.com](http://www.weber.com)®.

**ÉCRANS PARE-ARAIGNÉES/INSECTES**

Votre barbecue au gaz Weber®, comme tout autre appareil au gaz utilisé à l'extérieur, attire les araignées et autres insectes. Ils peuvent se réfugier dans la section des venturis (Venturi (1), obturateur d'air (2), nervure des venturis (3)) des tubes des brûleurs. Cela entrave l'acheminement normal du gaz et peut amener celui-ci à refouler hors de l'obturateur d'air. Une telle situation pourrait provoquer un incendie dans les obturateurs d'air et autour de ceux-ci, sous le panneau de commande, causant des dommages sérieux à votre barbecue.

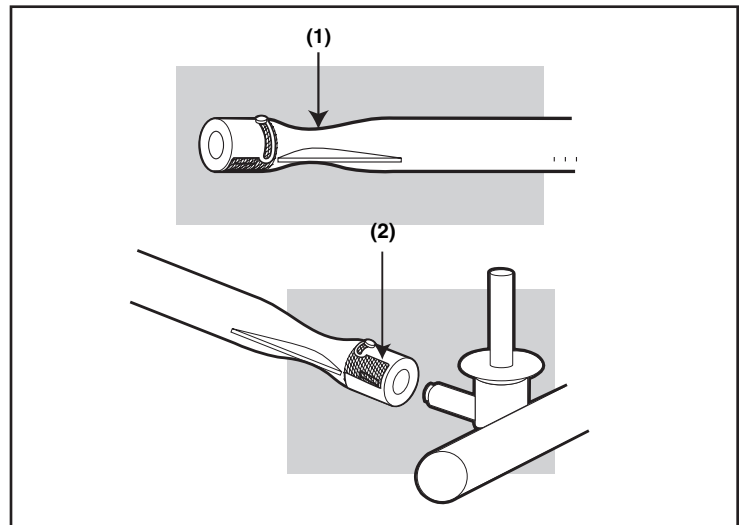
L'obturateur d'air du tube du brûleur est muni d'un écran en acier inoxydable (1), dont le but est d'empêcher les araignées et autres insectes d'accéder aux tubes des brûleurs par les ouvertures des obturateurs d'air.

**Nous vous recommandons d'inspecter les écrans pare-araignées/insectes au moins une fois par an. (Voir la section Entretien annuel.) Inspecter également et nettoyer les écrans pare-araignées/insectes si les symptômes suivants venaient jamais à se manifester:**

- 1) Odeur de gaz associée à des flammes de brûleurs jaunâtres et faibles.
- 2) Le barbecue n'atteint pas la température voulue.
- 3) Le barbecue chauffe inégalement.
- 4) Un ou plusieurs des brûleurs ne s'allument pas.

**⚠ DANGER**

**Le fait d'ignorer les symptômes mentionnés ci-dessus peut entraîner un incendie qui pourrait provoquer de graves blessures ou la mort, ainsi que des dommages matériels.**



**INSPECTION ET NETTOYAGE DES ÉCRANS PARE-ARAIGNÉES/INSECTES**

Pour inspecter les écrans pare-araignées/insectes, retirer le panneau de commande. S'il y a de la poussière ou de la saleté sur les écrans, retirer les brûleurs pour nettoyer les écrans. Voir Entretien, remplacement des brûleurs principaux. Brossez légèrement les écrans pare-araignées/insectes à l'aide d'une brosse en soies douce (p. ex., une vieille brosse à dents).

**⚠ ATTENTION: Ne pas utiliser d'outils durs ou acérés. Ne pas déloger les écrans pare-araignées/insectes ou élargir le treillis des écrans.**

Tapoter légèrement le brûleur pour déloger les débris et la saleté du tube. Une fois les écrans pare-araignées/insectes et les brûleurs nettoyés, replacer les brûleurs.

Si les écrans pare-araignées/insectes sont endommagés ou ne peuvent être nettoyés, veuillez contacter le Représentant du service client de votre région à l'aide des coordonnées disponibles sur notre site Internet. Connectez-vous sur [www.weber.com](http://www.weber.com)®.

**FLAMME DES BRÛLEURS PRINCIPAUX**

Le mélange d'air et de gaz des brûleurs du barbecue à gaz Weber a été réglé à l'usine. La flamme correcte est illustrée.

- 1) Tube de brûleur
- 2) Pointes parfois jaunâtres
- 3) Bleu clair
- 4) Bleu foncé

Si les flammes ne paraissent pas uniformes sur toute la longueur du tube de brûleur, procédez comme suit pour nettoyer ce dernier.

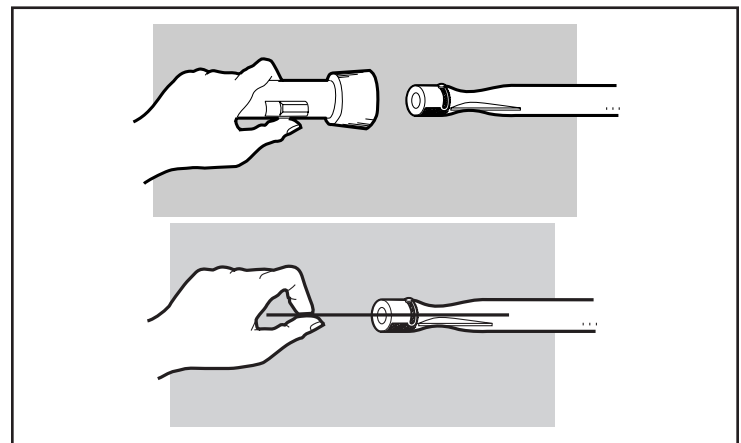
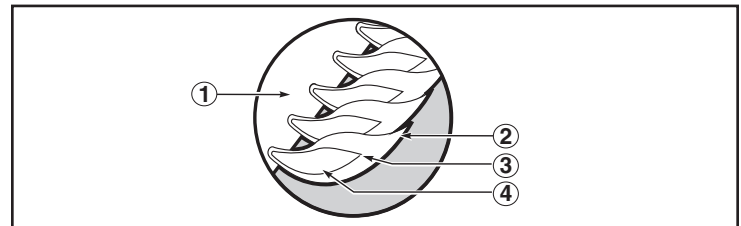
**NETTOYAGE DES BRÛLEURS PRINCIPAUX**

**Coupez l'arrivée de gaz.** Déposez le collecteur.

Regardez à l'intérieur de chaque brûleur en vous éclairant d'une lampe de poche.

Nettoyez l'intérieur des brûleurs avec un morceau de fil de fer (un cintre redressé fera l'affaire). Vérifiez et nettoyez l'ouverture du registre de ventilation aux extrémités des brûleurs. Vérifiez et nettoyez les orifices au bas des robinets. Servez-vous d'une brosse en laiton pour nettoyer l'extérieur des brûleurs afin de garantir l'ouverture totale des orifices des brûleurs.

**⚠ ATTENTION: n'agrandissez pas les orifices des brûleurs lors du nettoyage de ces derniers.**



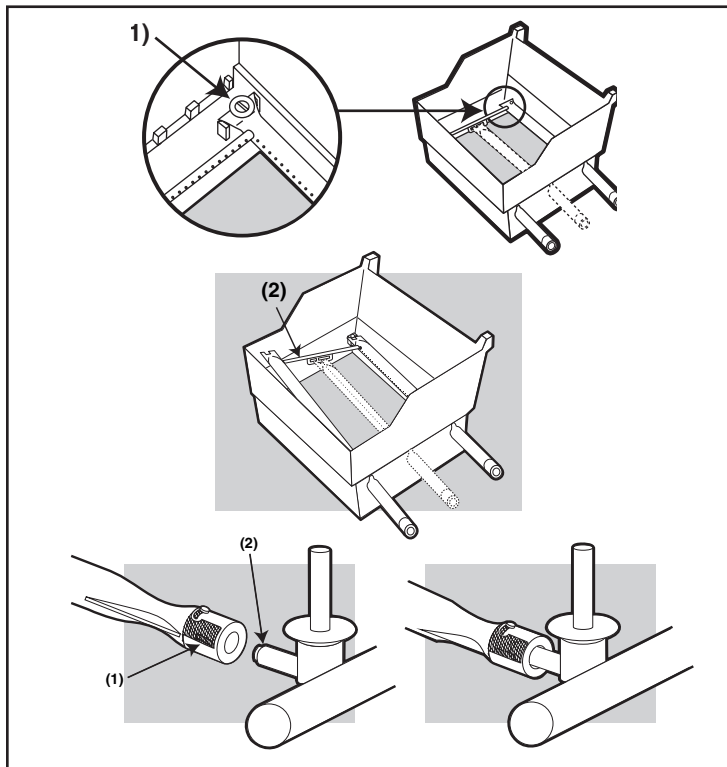
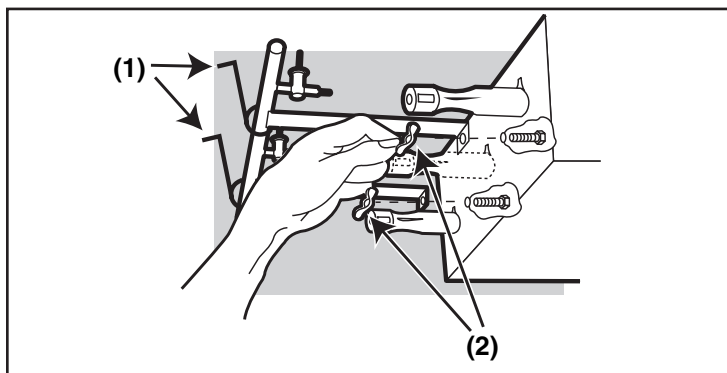
**REPLACEMENT DES BRÛLEURS PRINCIPAUX**

- 1) Votre barbecue au gaz Weber doit être en position fermée et refroidi.
- 2) Fermer le gaz à la source.
- 3) Pour retirer le panneau de commande: enlever les manettes de réglage des brûleurs. Retirer les vis qui maintiennent le panneau de commande en place. Soulever le panneau de commande.
- 4) Décrocher le support du collecteur (1) et dévisser les deux écrous à oreilles (2) qui fixent le collecteur à la cuve. Retirer l'ensemble collecteur et robinets des brûleurs et le déposer soigneusement à terre.
- 5) Faire coulisser le boîtier des brûleurs au-dessous de la vis guide et de la rondelle (1) dans les coins de la cuve.
- 6) Soulever et faire tourner légèrement le boîtier des brûleurs, afin de séparer le tuyau de raccordement (1) des brûleurs. Retirer les brûleurs de la cuve.
- 7) Pour réinstaller les brûleurs, appliquer la procédure inverse de 3) à 7).

**⚠ ATTENTION: Les orifices des brûleurs (1) doivent être disposés correctement au-dessus des orifices des robinets (2).**

Vérifier l'assemblage avant de fixer le collecteur à sa place.

**⚠ ATTENTION: Après avoir réinstallé les tuyauteries de gaz, elles doivent être vérifiées à l'aide d'une solution savonneuse pour déceler toute fuite avant que le barbecue ne soit utilisé. (Voir la section Vérification des fuites de gaz.)**

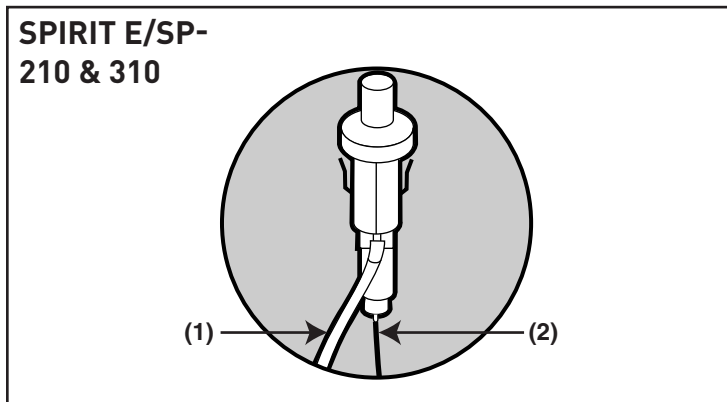
**FONCTIONNEMENT DU SYSTÈME D'ALLUMAGE CROSSOVER®**

Si le système d'allumage Crossover n'allume pas le brûleur gauche, allumez ce dernier avec une allumette. S'il s'allume alors, vérifiez le système d'allumage Crossover.

- Vérifiez que les fils blanc (1) et noir (2) sont tous deux raccordés correctement.
- Vérifiez que le bouton d'allumage Crossover pousse l'allumeur (bouton) vers le bas et revient en position haute.
- Vérifiez l'allumeur pour voir s'il a du jeu dans le châssis. Resserrez-le si nécessaire; voir l'étape

« Mise en place de l'allumeur » pour la façon correcte de procéder.

Si le système d'allumage Crossover® ne s'allume toujours pas, veuillez contacter le Représentant du service client de votre région à l'aide des coordonnées disponibles sur notre site Internet. Connectez-vous sur [www.weber.com](http://www.weber.com)®.

**SPIRIT E/SP-210 & 310**

**⚠ ATTENTION: This product has been safety tested and is only certified for use in a specific country. Refer to country designation located on outer carton.**

These parts may be gas carrying or gas burning components. Please contact Weber-Stephen Products Co., Customer Service Department for genuine Weber-Stephen Products Co. replacement part(s) information.

**⚠ WARNING: Do not attempt to make any repair to gas carrying or gas burning components without contacting Weber-Stephen Products Co., Customer Service Department. Your actions, if you fail to follow this product Warning, may cause a fire or an explosion resulting in serious personal injury or death and damage to property.**

**⚠ ATENCIÓN: A este producto se le han realizado pruebas de seguridad y ha sido certificado para usarse en un país específico. Refiérase al país indicado en la parte externa del cartón de empaque.**

Estas partes pueden ser componentes que transporten gas o lo quemen. Por favor póngase en contacto con el Departamento de Atención al Cliente de Weber-Stephen Products Co. para obtener información sobre las partes de repuesto Weber-Stephen Products Co. genuinas.

**⚠ ADVERTENCIA: No trate de realizar reparación alguna a los componentes que transporten o quemen gas sin antes ponerse en contacto con el Departamento de Atención al Cliente de Weber-Stephen Products Co. Si no llegase a acatar esta advertencia, sus acciones podrían causar un fuego o una explosión que resulte en lesiones personales serias o la muerte o daños a la propiedad.**

**⚠ ATTENTION: Ce produit a fait l'objet de tests de sécurité et est certifié pour une utilisation dans un pays particulier uniquement. Vérifiez la désignation de pays située sur le carton d'emballage.**

Ces pièces peuvent contenir du gaz ou être des éléments dont la combustion produit du gaz. Veuillez consulter le Service clientèle de Weber-Stephen Products Co. pour des renseignements sur les pièces de rechange originales de Weber-Stephen Products Co..

**⚠ MISE EN GARDE: Ne tentez pas d'effectuer des réparations sur des éléments contenant du gaz ou sur des éléments dont la combustion produit du gaz sans contacter le service clientèle de Weber-Stephen Products Co.. Si vous ne suivez pas la présente Mise en garde relative au produit, vos actions risquent de provoquer un incendie ou une explosion entraînant des blessures physiques graves voire un décès ainsi que des dégâts matériels.**



WEBER-STEPHEN PRODUCTS CO.

[www.weber.com](http://www.weber.com)<sup>®</sup>

©2007 The following trademarks are registered in the name of Weber-Stephen Products Co., an Illinois corporation, located at 200 East Daniels Road, Palatine, Illinois 60067 U.S.A. Australia; Smokey Joe, Weber, Kettle Silhouette<sup>®</sup>, Genesis, Austria; Kettle Silhouette<sup>®</sup>, Smokey Joe, Weber, Benelux; Kettle Silhouette<sup>®</sup>, Smokey Joe, Weber, Compact Grill Configuration, Botswana; Weber, Canada; Smokey Joe, Genesis, China; Kettle Silhouette<sup>®</sup>, Denmark; Kettle Silhouette<sup>®</sup>, Smokey Joe, Weber, Finland; Smokey Joe, France; Kettle Silhouette<sup>®</sup>, Smokey Joe, Weber, One-Touch, Germany; Smokey Joe, Weber, One-Touch, Greece; Smokey Joe, Ireland; Kettle Silhouette<sup>®</sup>, Smokey Joe, Italy; Smokey Joe, Weber, Japan; Smokey Joe, Weber, Korea; Smokey Joe, Weber, New Zealand; Weber, Smokey Joe, Nigeria; Weber, Norway; Smokey Joe, Weber, Portugal; Weber, South Africa; Smokey Joe, Weber, Kettle Configuration, Spain; Smokey Joe, Weber, Sweden; Kettle Silhouette<sup>®</sup>, Smokey Joe, Switzerland; Kettle Silhouette<sup>®</sup>, Smokey Joe, Weber, United Kingdom; Smokey Joe, Weber, Weber One-Touch, U.S.A.; Kettle Configuration, Kettle Silhouette<sup>®</sup>, Smokey Joe, Weber, One-Touch, Firespice, Go-Anywhere, U.S.A.; Kettle Configuration, Kettle Silhouette, Genesis, Flavorizer, Crossover, Flamgo, Performer, Rapidfire, Tuck 'N Carry, Jumbo Joe, Bar-B-Kettle, Master-Touch, Spirit, Grill Out, Summit, Platinum, 1-800-Grill-Out, Ranch, Matchless Flame, Zimbabwe; Weber, Kettle Configuration, Kettle Silhouette<sup>®</sup>.

*Made in China, Hecho en China, Fabriqué en Chine*

Download from [Www.Somanuals.com](http://Www.Somanuals.com). All Manuals Search And Download.



# FOUR GOOD REASONS TO REGISTER YOUR WEBER® GRILL RIGHT NOW CUATRO BUENAS RAZONES PARA REGISTRAR SU ASADOR WEBER® AHORA MISMO QUATRE BONNES RAISONS D'ENREGISTRER VOTRE GRILL WEBER® DES MAINTENANT

Register your grill online at [www.weber.com](http://www.weber.com)® (If you register online, you do not need to send in this registration card.)

Registre su asador en línea en [www.weber.com](http://www.weber.com)® (Si usted se registra en línea, no necesita enviar esta tarjeta de registro.)

Enregistrez votre grill en ligne sur [www.weber.com](http://www.weber.com)® (Si vous vous inscrivez en ligne, vous n'avez pas besoin de retourner la présente carte d'enregistrement.)

Spring, Summer, Fall, Winter. Four FREE issues of *Weber Nation*™, our hot e-mail newsletter all about grilling, will be coming your way. Each issue is packed with grilling tips and advice, triple-tested recipes, and everything you need to know to become a bona fide Weber Grilling Guru. All you have to do to activate your subscription is log on to [www.weber.com](http://www.weber.com) and register your grill. We'll ask you a few short questions about the kind of food you like to grill and the topics that interest you so we can serve up your newsletter just the way you like it. Whether you are just starting out or a practiced hand at the grill, you'll get just what you need to perfect your skills. So don't put it off. Register now. Your hunger (and your pride) will thank you for it.

Primavera, Verano, Otoño, Invierno. Le estarán llegando cuatro ediciones GRATUITAS de *Weber Nation*™, nuestro candente boletín por correo electrónico acerca de todo lo concerniente a cocinar con asadores. Cada edición viene repleta con sugerencias y consejos prácticos respecto al cocinar con asadores, recetas probadas por triplicado, además de todo lo que usted necesita saber para convertirse en un genuino Guru Weber en Asar. Lo único que necesita hacer para activar su suscripción es conectarse a [www.weber.com](http://www.weber.com) y registrar su asador. Le preguntaremos algunas breves preguntas sobre el tipo de comidas que le gusta asar y sobre los tópicos de su interés de manera que podamos servirle un boletín justo a su gusto. Bien sea que usted esté empezando a cocinar con asador o sea un veterano en el tema, usted recibirá justo lo que necesita para perfeccionar sus destrezas. Así que no lo deje para más tarde. Inscríbese ya Su apetito (y su orgullo) se lo agradecerán.

Printemps, Été, Automne, Hiver. Vous recevrez quatre exemplaires GRATUITS de *Weber Nation*™, notre lettre d'information électronique contenant toutes les actualités sur les grillades. Chaque numéro regorge d'astuces et de conseils pour les grillades, de recettes éprouvées, plus tout ce que vous devez savoir pour devenir un véritable Gourou des grillades Weber. Pour activer votre inscription, il vous suffit de vous connecter sur [www.weber.com](http://www.weber.com) et d'enregistrer votre grill. Nous vous poserons quelques questions brèves sur le type d'aliments que vous aimez griller et sur les thèmes qui vous intéressent afin que nous puissions vous envoyer une lettre d'information adaptée à vos goûts. Que vous débutiez ou que vous soyez expérimenté dans le domaine des grillades, vous recevrez juste ce dont vous avez besoin pour perfectionner vos compétences. Alors n'attendez pas. Inscrivez-vous dès maintenant. Votre appétit (et votre fierté) vous en remercieront.

## 1. How Can We Reach You? / ¿Cómo Podemos Ponernos En Contacto Con Usted? / Comment Pouvons-nous Vous Joindre?

First Name / Nombre / Prénom

M.I. / Inicial / Seconde Initiale

Last Name / Apellido / Nom

Address / Dirección / Adresse

Apt. # / Apt. # / Appt. #

City / Ciudad / Ville

State / Estado / État

Zip Code / Código Postal / Code Postal

Telephone / Teléfono / Téléphone

 (  )  - 

E-mail Address / Dirección De Correo Electrónico / Adresse E-mail

## 2. How would you prefer for us to contact you? / ¿Cómo preferiría que nos pongamos en contacto con usted? / Comment préféreriez-vous que nous vous contactions?

- By US mail / Por correo / Par courrier postal américain
- By e-mail / Por correo electrónico / Par e-mail
- By phone / Por teléfono / Par téléphone
- No preference / Ninguna preferencia / Aucune préférence
- Please don't contact me unless it is in regards to a technical matter related to my grill / Por favor no se pongan en contacto conmigo a menos que sea sobre un tema técnico relacionado con el asador / Merci de ne me contacter que si votre appel concerne un problème technique concernant mon grill
- I prefer to receive information in Spanish / Prefiero recibir información en español / Je préfère recevoir des informations en espagnol

## 3. When did you buy your grill? / ¿Cuándo compró usted el asador? / Quand avez-vous acheté votre grill?

Month / Mes / Mois

Day / Día / Jour

Year / Año / Année

## 4. Without tax, how much did you pay for your grill? / ¿Sin impuesto, cuánto pagó por el asador? / Hors taxes, combien avez-vous payé votre grill?

\$  .00

## 5. Where did you buy your grill? / ¿Dónde compró el asador? / Où avez-vous acheté votre grill?

## 6. Which model did you purchase? / ¿Qué modelo compró? / Quel modèle avez-vous acheté?

- Spirit® E-210
- Spirit® E-310

## 7. Have you ever owned a Weber® grill before? / ¿Ha tenido alguna vez antes un asador Weber®? / Avez-vous déjà possédé un grill Weber® auparavant?

- Yes  
 Sí Número de asadores de gas Weber® que ha tenido:   
 Oui Nombre de grills à gaz Weber® possédés:  
 Número de asadores de carbón Weber® que ha tenido:   
 Nombre de grills à charbon Weber® possédés :
- No, this is my first Weber® grill / No, éste es mi primer asador Weber® / Non, il s'agit de mon premier grill Weber®

Thanks for sharing your contact information with us. Again, it all stays strictly between us — Weber does not share customers' names with anyone else. If you need replacement parts or have questions about the assembly, use or maintenance of your grill, please call Weber Customer Service.

Gracias por compartir su información de contacto con nosotros. De nuevo, todo quedará estrictamente entre nosotros — Weber no comparte los nombres de sus clientes con nadie. Si necesita partes de repuesto o tiene preguntas acerca del ensamblaje, uso o mantenimiento del su asador, por favor llame al Departamento de Soporte y Servicio al Cliente de Weber.

Merci de nous avoir communiqué vos coordonnées. Nous vous rappelons que ces informations resteront strictement entre nous : Weber ne communique les noms de ses clients à personne. Si vous avez besoin de pièces de rechange ou si vous avez des questions sur le montage, l'utilisation ou l'entretien de votre grill, veuillez consulter le Service Client de Weber.

**For purchases made in the U.S.:**  
**Para compras hechas en los Estados Unidos:**  
**Pour les achats effectués aux États-Unis:**

Product Registration  
P.O. Box 1999  
Palatine, IL 60078-1999  
1-800-446-1071

**For purchases made in Mexico:**  
**Para compras hechas en México:**  
**Pour les achats effectués au Mexique:**

Weber-Stephen Products S.A. de C.V.  
Av. López Mateos Sur No. 2077, Local 29  
Col. Chapalita 44510 • Guadalajara, Jalisco  
Teléfono – (33) 31 22 12 23  
R.F.C. WPR 030919 ND4

**For purchases made in Canada:**  
**Para compras hechas en Canadá:**  
**Pour les achats effectués au Canada:**

Product Registration  
P.O. Box 40530  
Burlington, ON L7P 4W1  
1-800-265-2150

Knowing more about who buys our grills helps the crew back in R&D come up with new cutting edge Weber products. Please fill in the answers you feel comfortable sharing with us, and pass by any question you prefer to leave blank. Thank you for being so generous.

Saber más sobre quién compra nuestros asadores ayuda al equipo de Investigación y Desarrollo a concebir nuevos productos Weber de avanzada. Por favor rellene las respuestas con las que se sienta más cómodo en compartir con nosotros, y pase por alto cualquier pregunta que prefiera dejar en blanco. Gracias por su generosidad.

Le fait de mieux connaître les personnes qui achètent nos grills aide le personnel du service R&D à développer de nouveaux produits Weber innovants. Veuillez répondre aux questions en fournissant les réponses pour lesquelles vous vous sentez à l'aise, et passez toute question que vous préférez laisser sans réponse. Nous vous remercions pour votre générosité.

**8. Are you: / Es usted: / Vous êtes:**

1.  Male / Hombre / Un homme      2.  Female / Mujer / Une femme

**9. Are you married? / ¿Está casado? / Êtes-vous marié?**

1.  Yes / Sí / Oui      2.  No / No / Non

**10. What's your date of birth? / ¿Cuál es su fecha de nacimiento? / Quelle est votre date de naissance ?**

Month / Mes / Mois

Day / Día / Jour

Year / Año / Année

**11. Including yourself, how many people live in your household? / Incluyéndolo a usted, ¿cuántos viven en su casa? / Vous compris, combien de personnes composent votre foyer ?**

1.  Children under 18 (example 01, 02, etc.)  
Niños menores de 18 (ejemplo 01, 02, etc.)

2.  Adults / Adultos / Adultes

**12. Do you own or rent the place you call home? / ¿Posee o alquila el lugar que usted llama casa? / Possédez-vous ou louez-vous le lieu que vous appelez votre domicile ?**

1.  Own / Propio / Propriétaire      2.  Rent / Alquiler / Locataire

**13. What's your annual household income? / ¿Cuánto es su ingreso familiar anual? / Quel est le revenu annuel de votre foyer ?**

1.  <\$15,000      9.  \$60,000-\$74,999  
2.  \$15,000-\$24,999      10.  \$75,000-\$99,999  
3.  \$25,000-\$29,999      11.  \$100,000-\$149,999  
4.  \$30,000-\$34,999      12.  \$150,000-\$174,999  
5.  \$35,000-\$39,999      13.  \$175,000-\$199,999  
6.  \$40,000-\$44,999      14.  \$200,000-\$249,999  
7.  \$45,000-\$49,999      15.  \$250,000-\$299,999  
8.  \$50,000-\$59,999      16.  >\$300,000

**14. Which activities or interests do you have that keep you (or your partner) busy? / ¿Qué actividades o intereses tiene que lo mantienen a usted (o a su compañero/a) ocupado? / Quelles sont les activités ou centres d'intérêt (pour vous ou votre conjoint) qui vous occupent ?**

1.  Arts or antiques / Artes o antigüedades / Arts ou antiquités  
2.  Bicycling / Ciclismo / Bicyclette  
3.  Boating or sailing / Náutica o velerismo / Bateau ou navigation  
4.  Buying videos / Comprar videos / Achat de vidéos  
5.  Subscribing to cable TV / Suscripción a televisión por cable / Inscriptions à la TV câblée  
6.  Camping or hiking / Acampar o excursionismo a pie / Camping ou marche  
7.  Attending cultural arts or events / Asistir a artes culturales o eventos / Assister à des représentations artistiques ou à des événements culturels  
8.  Dieting / Hacer dieta / Régime alimentaire  
9.  Donating to charity / Donar a obras caritativas / Dons à des organismes caritatifs  
10.  Fishing / Pesca / Pêche  
11.  Foreign travel / Viajes al extranjero / Voyages à l'étranger  
12.  Gardening or plants / Jardinería o plantas / Jardinage ou plantes  
13.  Golf / Golf / Golf  
14.  Grandchildren / Nietos / Petits-enfants  
15.  Houseplants / Plantas de interior / Plantes d'intérieur  
16.  Hunting / Caza / Chasse  
17.  Motorcycles / Motocicletas / Motocyclettes  
18.  Needlework / Costura / Couture  
19.  My cat / Mi gato / Mon chat  
20.  My dog / Mi perro / Mon chien  
21.  Listening to music on my CD player / Escuchar música en mi tocadiscos CD / Écouter de la musique sur mon lecteur CD  
22.  Listening to music on any device / Escuchar música en algún dispositivo / Écouter de la musique quel que soit l'appareil utilisé  
23.  Personal computers / Computadores personales / Ordinateurs personnels  
24.  Photography / Fotografía / Photographie  
25.  Physical fitness or exercise / Mantenerme en buena forma física / Exercice / Fitness ou exercices physiques  
26.  Politics / Política / Politique  
27.  Running / Correr / Course  
28.  Shopping by mail order or catalog / Comprar por ventas por correo o catálogos / Achats par correspondance ou sur catalogue  
29.  Snow skiing / Esquiar sobre nieve / Ski  
30.  Stocks & bonds / Acciones y bonos / Actions & obligations  
31.  Tennis / Tenis / Tennis  
32.  Veterans' affairs / Asuntos de los veteranos de guerra / Affaires liées aux anciens combattants  
33.  Walking / Caminar / Marche  
34.  Watching sports on TV / Ver deportes por TV / Regarder le sport à la TV  
35.  Other / Otros / Autre

PLACE STICKER HERE / COLOQUE LA ETIQUETA  
ADHESIVA AQUÍ / PLACEZ L'AUTOCOLLANT ICI

**15. Serial number / número de serie / numéro de série**



## Free Manuals Download Website

<http://myh66.com>

<http://usermanuals.us>

<http://www.somanuals.com>

<http://www.4manuals.cc>

<http://www.manual-lib.com>

<http://www.404manual.com>

<http://www.luxmanual.com>

<http://aubethermostatmanual.com>

Golf course search by state

<http://golfingnear.com>

Email search by domain

<http://emailbydomain.com>

Auto manuals search

<http://auto.somanuals.com>

TV manuals search

<http://tv.somanuals.com>