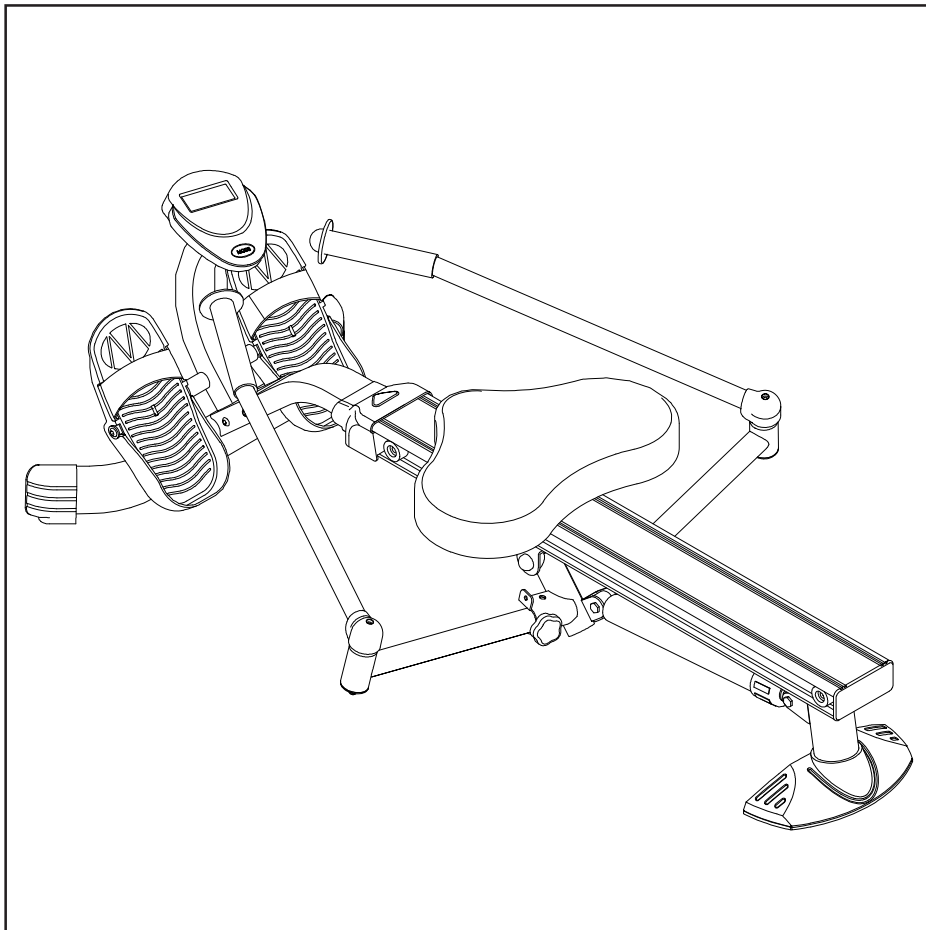


BODYTRAC™

Owner's Manual



⚠ WARNING ⚠

Exercise can present a health risk. Consult a physician before beginning any exercise program with this equipment. If you feel faint or dizzy, immediately discontinue use of this equipment. Serious bodily injury can occur if this equipment is not assembled and used correctly. Serious bodily injury can also occur if all instructions are not followed. Keep others and pets away from equipment when in use. Always make sure all bolts and nuts are securely tightened prior to each use. Follow all safety instructions in this manual.

When calling for parts or service, please specify the following number:

Model#: 35-1050C
STAMINA PRODUCTS
MADE IN CHINA

**Product May Vary Slightly
From Pictured.**

CAUTION:
Weight on this product should not exceed 250 lbs.

This Product is Produced Exclusively by



2040 N. Alliance, Springfield, MO 65803
Customer Service
1 (800) 375-7520
www.staminaproducts.com

TABLE OF CONTENTS

	Page		Page
Safety Instructions	2	Conditioning Guidelines	15
Before You Begin	4	Warm-Up and Cool-Down	16
Equipment Warning & Notice Labels	5	Warranty	17
Hardware Identification Chart	6	Product Parts Drawing	18
Assembly Instructions	7	Parts List	19
Operational Instructions	12	Notes	21
Maintenance	13	Fax/Mail Ordering Form	22
Storage	14		

SAFETY INSTRUCTIONS

WARNING: To reduce the risk of serious injury, read the following Safety Instructions before using the **BODYTRAC™**.

1. Read all warnings posted on the **BODYTRAC™**.
2. The **BODYTRAC™** should only be used after a thorough review of the Owner's Manual.
3. We recommend that two people be available for assembly of this product.
4. Keep children away from the **BODYTRAC™**. Do not allow children to use or play on the **BODYTRAC™**. Keep children and pets away from the **BODYTRAC™** when it is in use.
5. It is recommended that you place this exercise equipment on an equipment mat.
6. Set up and operate the **BODYTRAC™** on a solid level surface. Do not position the **BODYTRAC™** on loose rugs or uneven surfaces.
7. Make sure that adequate space is available for access to and around the **BODYTRAC™**.
8. Before using, inspect the **BODYTRAC™** for worn or loose components, and securely tighten or replace any worn or loose components prior to use.
9. Shocks on rowers get **HOT** during use. To avoid burns, do not touch the shock until it has time to cool.
10. Consult a physician prior to commencing an exercise program. If, at any time during exercise, you feel faint, dizzy, or experience pain, stop and consult your physician.
11. Follow your physician's recommendations in developing your own personal fitness program.
12. Always choose the workout which best fits your physical strength and flexibility level. Know your limits and train within them. Always use common sense when exercising.
13. Do not wear loose or dangling clothing while using the **BODYTRAC™**.
14. Never exercise in bare feet or socks; always wear proper footwear such as running, walking, or cross training shoes that fit well, provide foot support, and feature non-skid rubber soles.
15. Be careful to maintain your balance while using, mounting, dismounting, or assembling the **BODYTRAC™**, loss of balance may result in a fall and serious bodily injury.
16. Do not use the seat to move the **BODYTRAC™**. The Seat will move and the Seat Carriage may pinch your hand or fingers.
17. The **BODYTRAC™** should not be used by persons weighing over 250 pounds.
18. The **BODYTRAC™** should be used by only one person at a time.
19. The **BODYTRAC™** is for consumer use only. It is not for use in public or semipublic facilities.

WARNING: Before starting any exercise or conditioning program you should consult with your personal physician to see if you require a complete physical exam. This is especially important if you are over the age of 35, have never exercised before, are pregnant, or suffer from any illness. **READ AND FOLLOW THE SAFETY PRECAUTIONS. FAILURE TO FOLLOW THESE INSTRUCTIONS CAN RESULT IN SERIOUS BODILY INJURY.**

CALL US FIRST



Customer Service
1 (800) 375-7520

www.staminaproducts.com

THANK YOU FOR PURCHASING THE BODYTRAC™

To help you get started, we have pre-assembled most of your BODYTRAC™ at the factory with the exception of those few parts left unassembled for shipping purposes. Simply follow the few assembly instructions set forth in this manual. With regular workouts, you will be getting your body into shape and be on your way to achieving a happier and healthier lifestyle.

Should you have any questions,
please call our Customer Service Department toll-free number,
1 (800) 375-7520

Monday - Thursday, 7:30 A.M. - 5:00 P.M., Central Time.
Friday, 8:00 A.M. - 3:00 P.M., Central Time.



TELEPHONE
CUSTOMER SERVICE
Tel: 1 (800) 375-7520



FAX
CUSTOMER SERVICE
Fax: (417) 889-8064



ONLINE
CUSTOMER SERVICE
customerservice@staminaproducts.com
www.staminaproducts.com



MAIL
STAMINA PRODUCTS, INC.
ATTN: Customer Service
P.O. Box 1071
Springfield, MO. 65801-1071

BEFORE YOU BEGIN

Thank you for choosing the **BODYTRAC™**. We take great pride in producing this quality product and hope it will provide many hours of quality exercise to make you feel better, look better, and enjoy life to its fullest.

It's a proven fact that a regular exercise program can improve your physical and mental health. Too often, our busy lifestyles limit our time and opportunity to exercise. The **BODYTRAC™** provides a convenient and simple method to begin your assault on getting your body in shape and achieving a happier and healthier lifestyle.

Before reading further, please review the drawing below and familiarize yourself with the parts that are labeled.

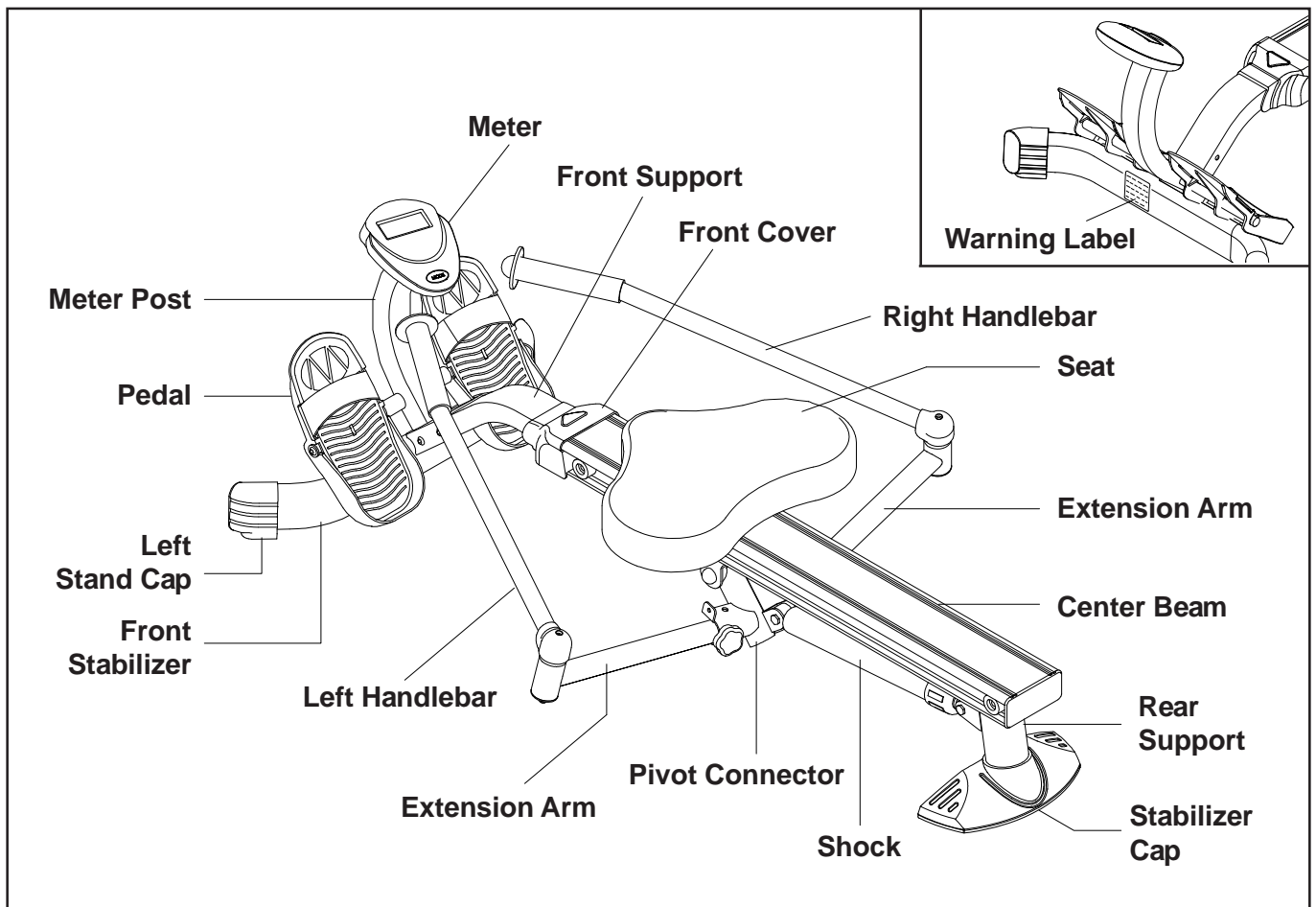
Read this manual carefully before using the **BODYTRAC™**.

Although Stamina constructs its products with the finest materials and uses the highest standards of manufacturing and quality control, there can sometimes be missing parts or incorrectly sized parts. If you have any questions or problems with the parts included with your **BODYTRAC™**, please do not return the product. Contact us **FIRST!**

If a part is missing or defective, please call us toll free at 1-800-375-7520 (in the U.S.). Our Customer Service Staff is available to assist you from 7:30 A.M. to 5:00 P.M. (Central Time) Monday through Thursday and 8:00 A.M. to 3:00 P.M. (Central Time) on Friday.

If you would like to contact us online, go to our website at www.staminaproducts.com and access the Customer Service section.

Be sure to have the name and model number of the product available when you contact us.



THE FOLLOWING TOOLS ARE REQUIRED FOR ASSEMBLY :

-  Allen Wrench (6mm)
-  Allen Wrench (6mm)
-  Wrench (13mm)

EQUIPMENT WARNING & NOTICE LABELS

This chart is provided to help identify the warning and notice labels on the **BODYTRAC™**. Please take a moment to familiarize yourself with all of the warning and notice labels.

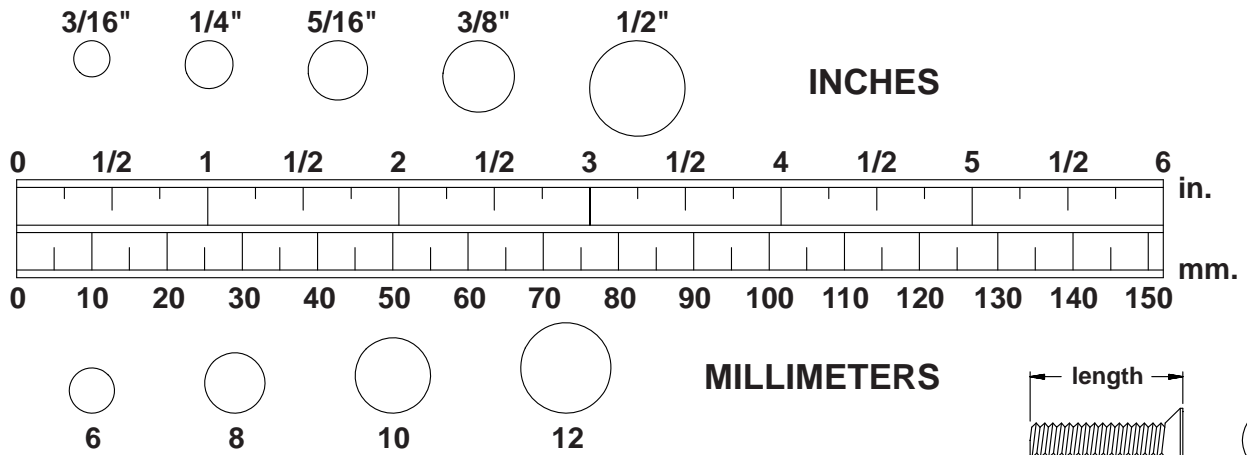
Label is larger than actual size

W1 WARNING LABEL(67)

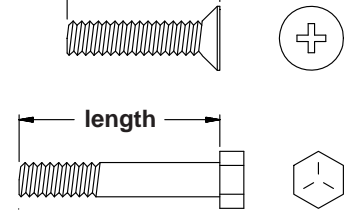


HARDWARE IDENTIFICATION CHART

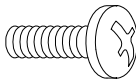
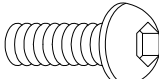
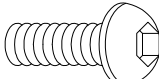
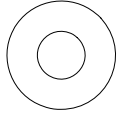

This chart is provided to help identify the hardware used in the assembly process. Place the washers or the ends of the bolts or screws on the circles to check for the correct diameter. Use the small scale to check the length of the bolts and screws.



NOTICE: The length of all bolts and screws, except those with flat heads, is measured from below the head to the end of the bolt or screw. Flat head bolts and screws are measured from the top of the head to the end of the bolt or screw.

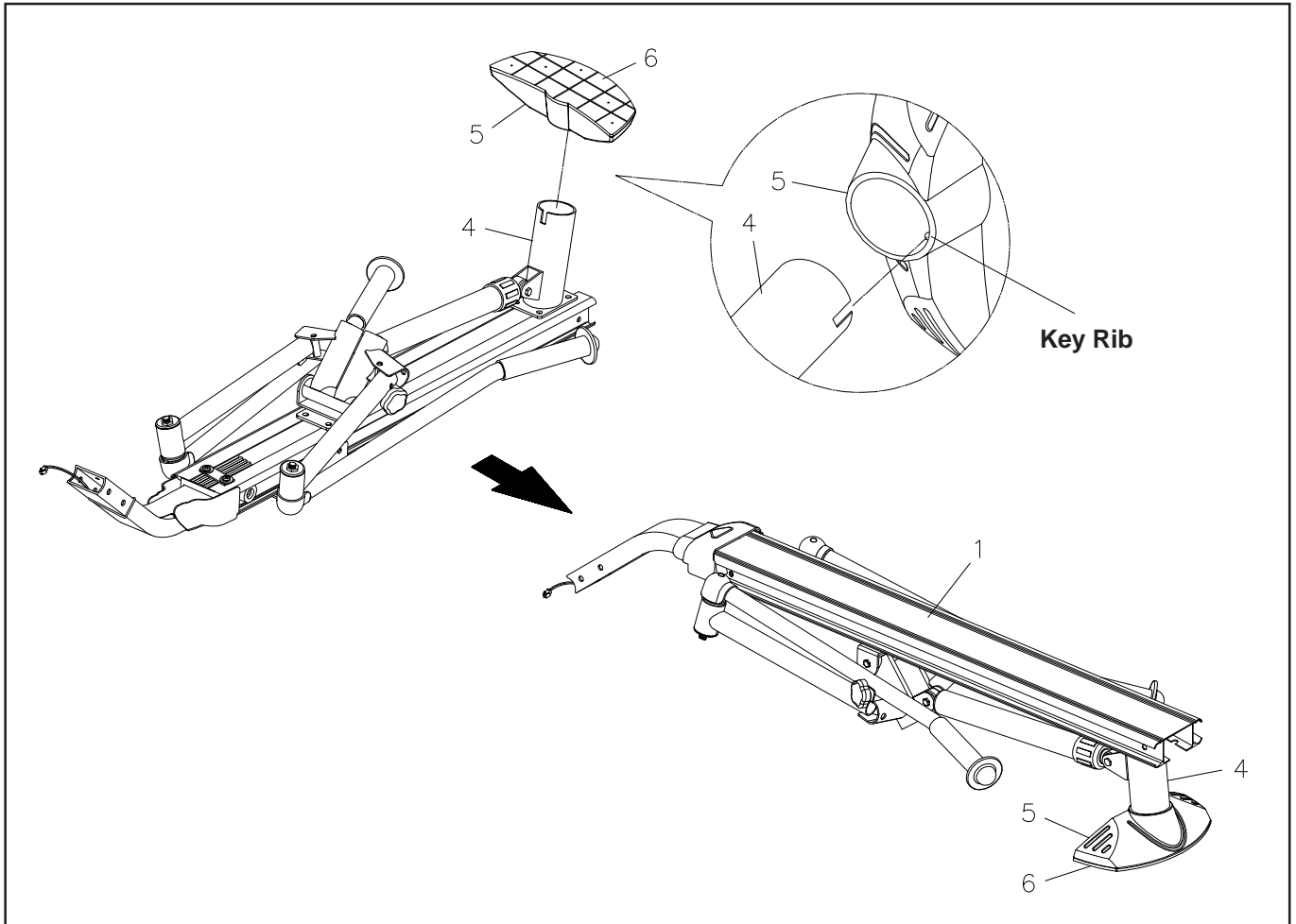


After unpacking the unit, open the hardware bag and make sure that you have all the following items. Some hardware may be already attached to the part.

	Part No. and Description	Qty
	49 Screw, Round Head (M5 x 0.6 x 12mm)	2
	51 Bolt, Button Head (M8 x 1.25 x 15mm)	8
	53 Bolt, Button Head (M8 x 1.25 x 25mm)	2
	36 Large Washer (M8)	2
	59 Washer (M8)	8
	62 Nylon Nut (M8 x 1.25)	2

ASSEMBLY INSTRUCTIONS

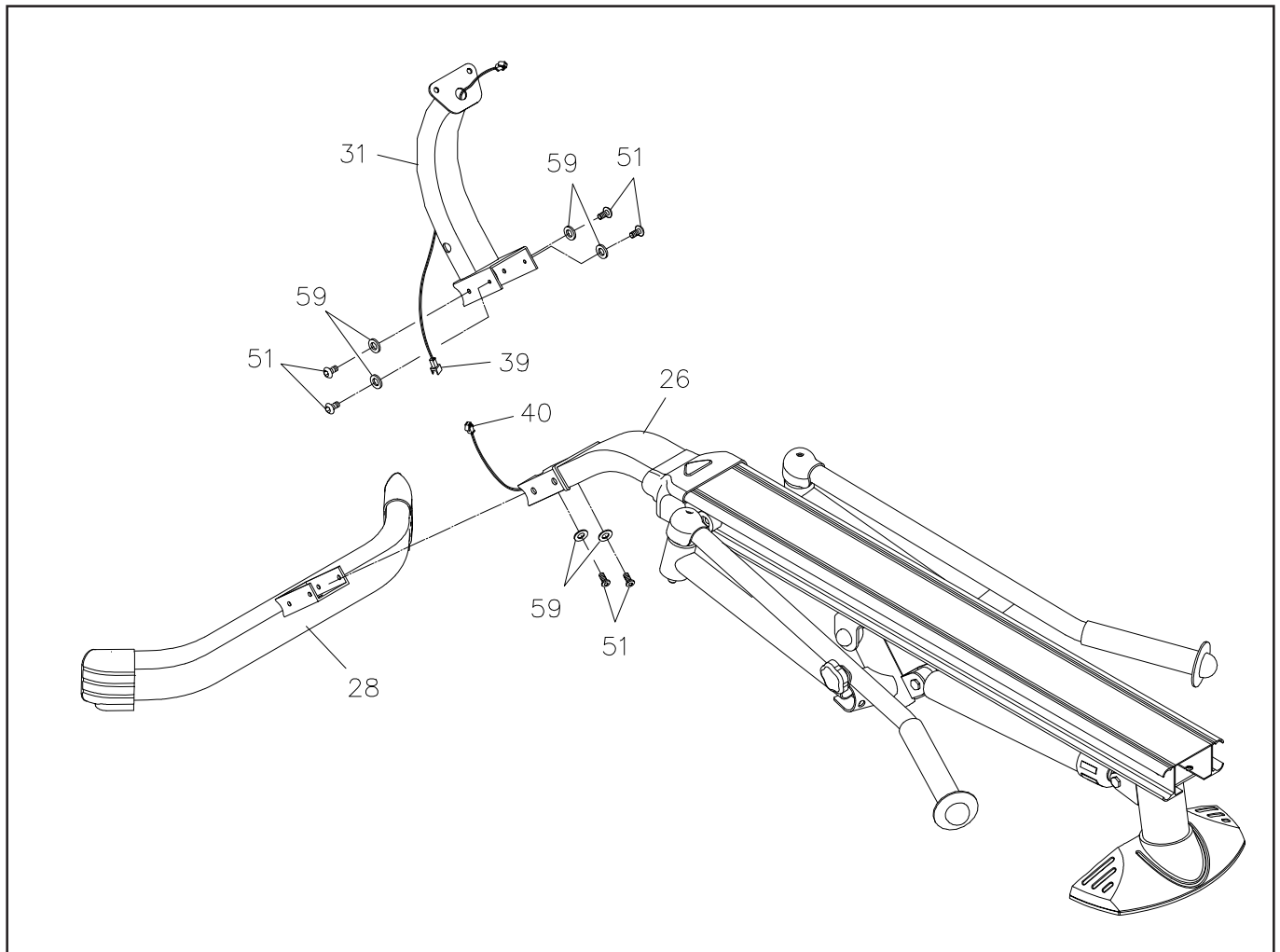
Place all parts from the box in a cleared area and position them on the floor in front of you. Remove all packing materials from your area and place them back into the box. Do not dispose of the packing materials until assembly is completed. Read each step carefully before beginning. If you are missing a part please call our toll-free number for assistance 1-800-375-7520 or e-mail us at customerservice@staminaproducts.com.



STEP 1

Lay the Main Frame Assembly on the floor as shown in the illustration. Now refer to the inset drawing. Make sure the Key Rib in the **STABILIZER CAP(5)** aligns with the slot in the **REAR SUPPORT(4)**, then press the **STABILIZER CAP(5)** onto the **REAR SUPPORT(4)**. Turn the Main Frame Assembly to the normal upright position and make sure the **STABILIZER PAD(6)** is secured to the **STABILIZER CAP(5)**.

ASSEMBLY INSTRUCTIONS



STEP 2

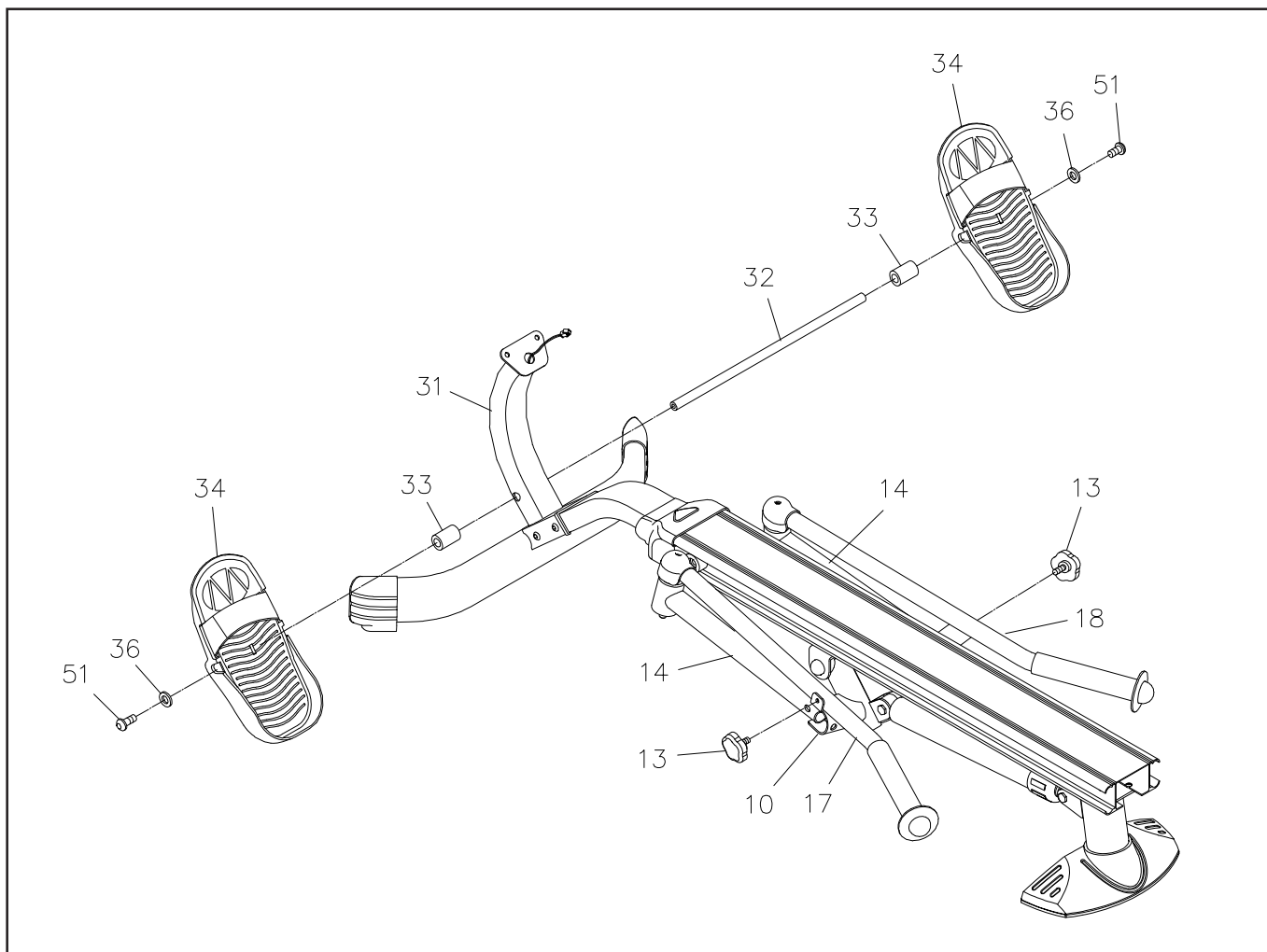
Insert the Bracket on **FRONT STABILIZER(28)** into the **FRONT SUPPORT(26)**. Attach the **METER POST(31)** to the **FRONT SUPPORT(26)**, then bolt the **METER POST(31)**, **FRONT SUPPORT(26)**, and **FRONT STABILIZER(28)** together with **BUTTON HEAD BOLTS(M8x1.25x15mm)(51)** and **WASHERS(M8)(59)**. Please do not tighten any of these bolts until all six bolts are attached.

NOTE: Be careful not to damage the **EXTENSION WIRE(38)** when assembling the **METER POST(32)**.

STEP 3

Connect the **EXTENSION WIRE(39)** to the **SENSOR WIRE(40)**.

ASSEMBLY INSTRUCTIONS



STEP 4

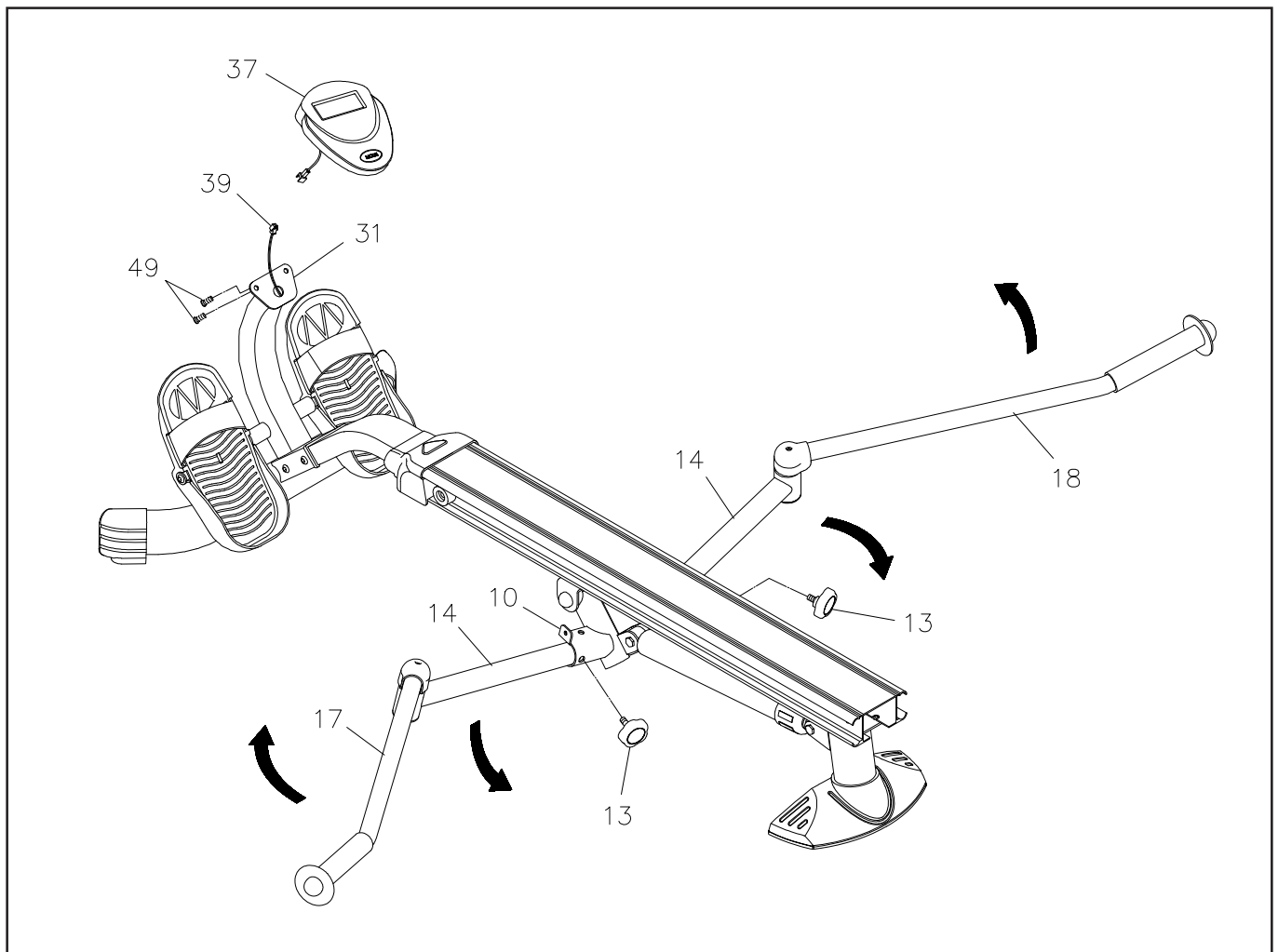
Insert the **PEDAL SHAFT(32)** through holes located on the **METER POST(31)**. Place a **PEDAL SPACER(33)** and a **PEDAL(34)** onto each end of the **PEDAL SHAFT(32)** and slide them toward the **METER POST(31)**. Then secure the **PEDALS(34)** with **BUTTON HEAD BOLTS(M8x1.25x15mm)(51)** and **LARGE WASHERS (M8)(36)** at both ends of the **PEDAL SHAFT(32)**.

NOTE: You need to use two Allen Wrenches to tighten the **BUTTON HEAD BOLTS(M8x1.25x15mm)(51)** at both ends of the **PEDAL SHAFT(32)** at the same time.

STEP 5

Remove the **LOCKING KNOBS(13)** from the **PIVOT CONNECTOR(10)**.

ASSEMBLY INSTRUCTIONS



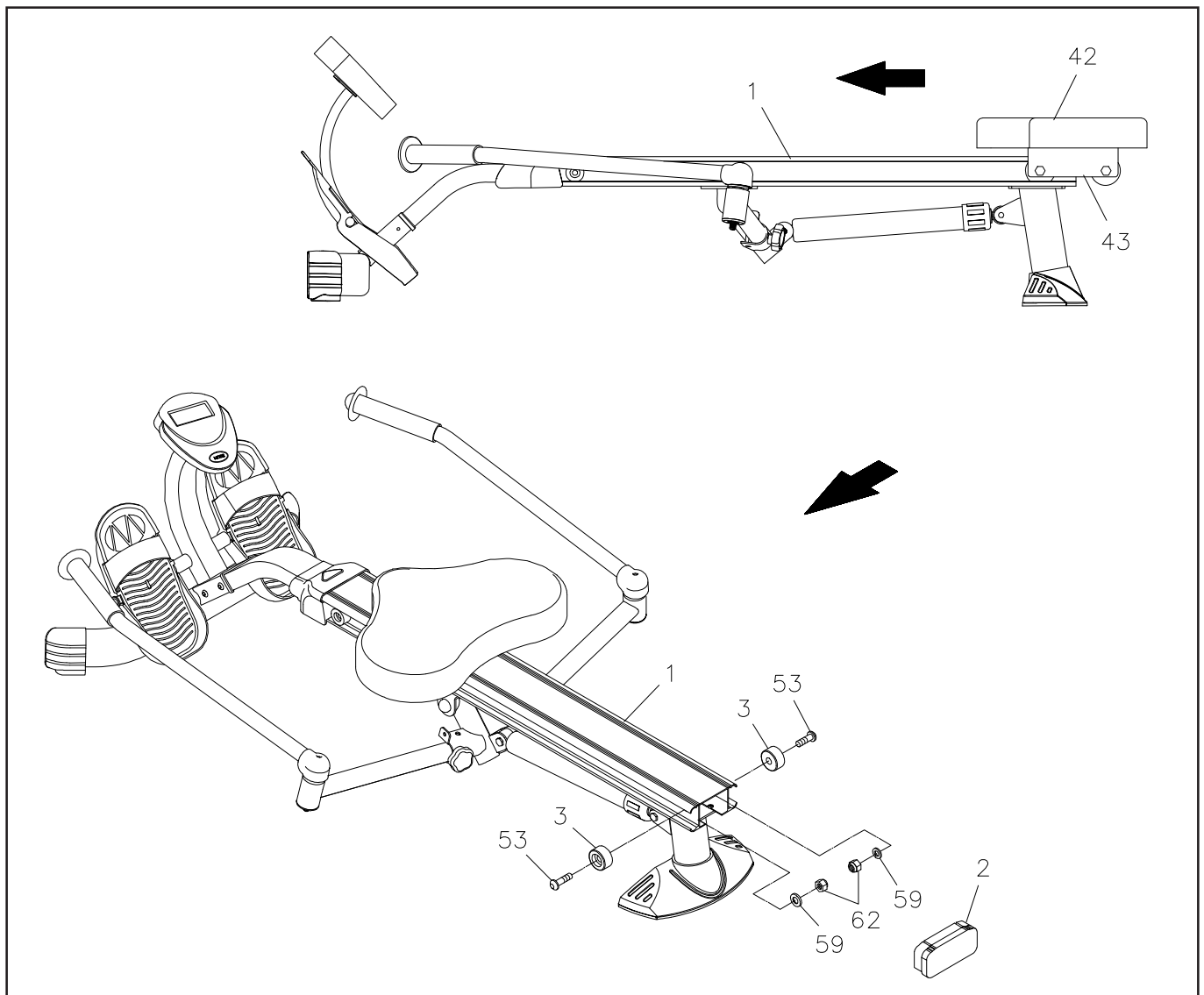
STEP 6

Unfold the **HANDLEBARS(17, 18)** and the **EXTENSION ARMS(14)** as shown in the illustration. Attach the **EXTENSION ARMS(14)** to the **PIVOT CONNECTOR(10)** with the **LOCKING KNOBS(13)**.

STEP 7

Install two AA batteries into the **METER(37)**, two batteries included. See page 12 for detailed battery installation instructions. Connect the **EXTENSION WIRE(39)** to the **METER(37)**. Attach the **METER(37)** to the plate on the **METER POST(31)** with **ROUND HEAD SCREWS(M5x12mm)(49)**.

ASSEMBLY INSTRUCTIONS



STEP 8

Slide the **SEAT ASSEMBLY(42, 43)** onto the **CENTER BEAM(1)**. Attach the **SEAT STOPPERS(3)** to the back end of the **CENTER BEAM(1)** with **BUTTON HEAD BOLTS(M8x1.25x25mm)(53)**. Also, please verify that the other **SEAT STOPPERS(3)** at the front end of the **CENTER BEAM(1)** are assembled at the factory.

STEP 9

Press the **CENTER BEAM CAP(2)** into the back end of the **CENTER BEAM(1)**.

OPERATIONAL INSTRUCTIONS

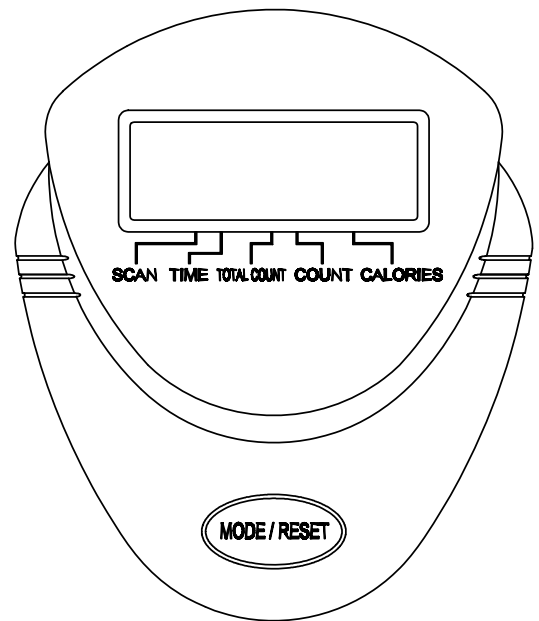
USING THE FITNESS METER

Power on : Seat movement or push the button.

Power off : Automatic shut off after 4 minutes of inactivity.

Function Button:

MODE/RESET: Press and release to select functions.
Press and hold for two seconds to reset all functions to zero, except TOTAL COUNT.



Functions:

SCAN: Automatically scans each function of TIME, TOTAL COUNT, COUNT, and CALORIES in sequence with a change every six seconds.

TIME: Displays the elapsed time, from 1 sec up to 99:59 minutes.

COUNT: Displays the total number of rows you have taken, from zero to 9999 rows.

TOTAL COUNT: Displays the total accumulated number of rows you have taken, from zero to 9999 rows.
The total accumulated rows is retained when the meter is turned off.

CALORIES: Displays the calorie consumption, from zero to 9999 cal.
The calorie readout is an estimate for an average user. It should be used only as a comparison between workouts on this unit.

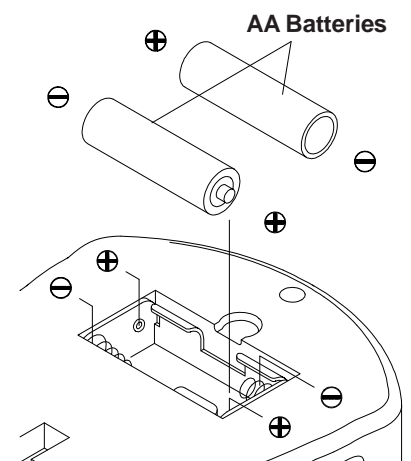
- NOTE:**
1. The meter will shut off automatically after 4 minutes of inactivity. All function values will be kept. Push the button and hold it down for two seconds to reset all functions to zero, except TOTAL COUNT.
 2. The TOTAL COUNT will be reset to zero after batteries are removed for battery replacement or storage of the unit.

HOW TO INSTALL AND REPLACE BATTERIES:

1. Open the Battery Door on the back of the meter.
2. The meter operates with two AA batteries, two batteries included. Refer to the illustration to install or replace the batteries.

NOTE:

1. Do not mix a new battery with an old battery.
2. Use the same type of battery. Do not mix an alkaline battery with another type of battery.
3. Rechargeable batteries are not recommended.

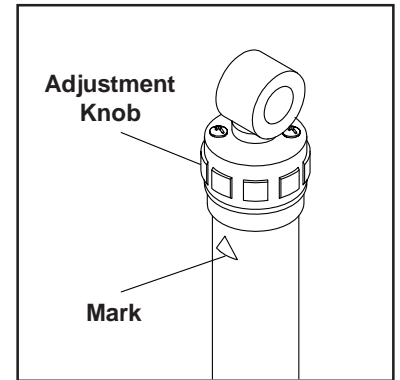


OPERATIONAL INSTRUCTIONS

LOAD ADJUSTMENT

The resistance of the shocks can be adjusted by twisting the adjustment knob at the top of the shocks. There are settings from 1 to 12. Setting #1 will provide the lowest resistance. Setting #12 will provide the highest resistance.

CAUTION: The shocks get **HOT** after a few minutes of use.



MAINTENANCE

The safety and integrity designed into the **BODYTRAC™** can only be maintained when the **BODYTRAC™** is regularly examined for damage and wear. Special attention should be given to the following:

1. Pull on the **HANDLEBARS(17, 18)** and verify that the **SHOCK(22)** provides tension.
2. Clean the roller tracks in the **CENTER BEAM(1)** with an absorbent cloth.
3. Verify that the **WARNING LABEL(67)** is in place and easy to read. Call Stamina Products immediately at 1-800-375-7520 for a replacement **WARNING LABEL(67)** if it is missing or damaged.
4. It is the sole responsibility of the user/owner to ensure that regular maintenance is performed.
5. Worn or damaged components shall be replaced immediately or the **BODYTRAC™** removed from service until repair is made.
6. Only Stamina Products supplied components shall be used to maintain/repair the **BODYTRAC™**.
7. Keep your **BODYTRAC™** clean by wiping it off with an absorbent cloth after use.

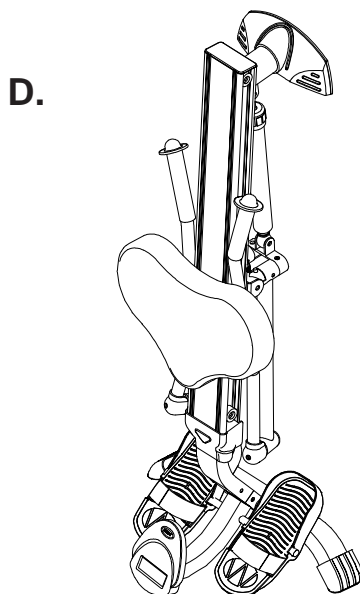
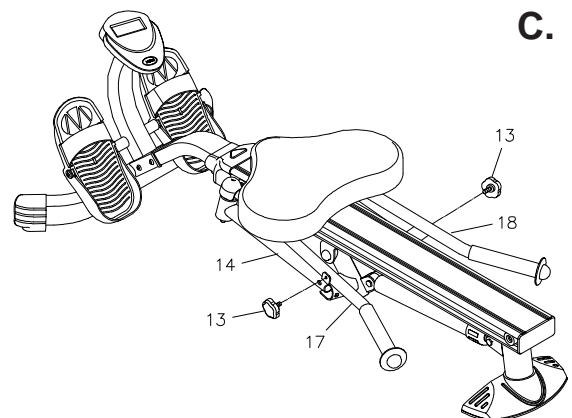
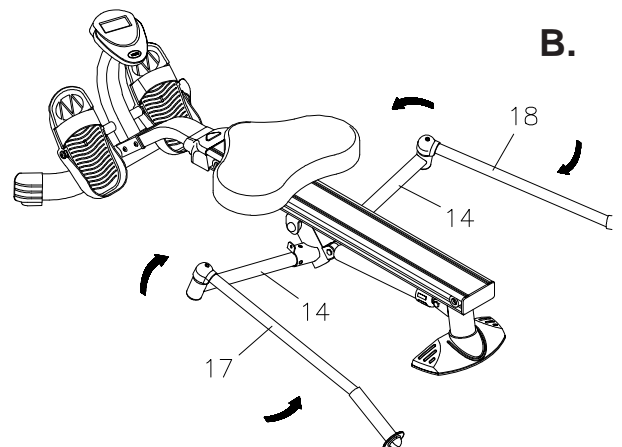
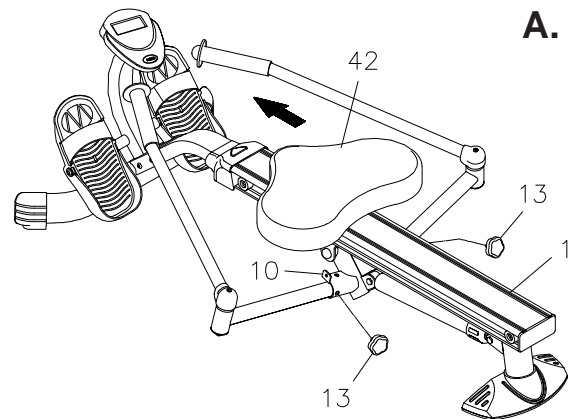
STORAGE

1. To store the **BODYTRAC™** simply keep it in a clean dry place.
2. To avoid damage to the electronics meter, remove the batteries before storing the **BODYTRAC™** for one year or more.
3. Grasp the Front and Rear Stabilizer to move the **BODYTRAC™**. Do not use the Seat to move the **BODYTRAC™**. The Seat will move and the Seat Carriage may pinch your hand or fingers.

Folding the BODYTRAC™

Follow the following process to fold The **BODYTRAC™** as illustrated for easy storage.

- A. Slide the **SEAT(42)** to the front end of the **CENTER BEAM(1)**. Remove the **LOCKING KNOBS(13)** from the **PIVOT CONNECTOR(10)**.
- B. Swing the **LEFT and RIGHT HANDLEBARS(17, 18)** Backward. Then fold the **EXTENSION ARMS(14)** to front.
- C. Lock the handlebars in the folded position by screwing the **LOCKING KNOBS(13)** onto the **PIVOT CONNECTOR(10)**. Now, you can store the **BODYTRAC™** in the place you want.
- D. Refer to illustration D. You can stand the **BODYTRAC™** on end for storage.



CONDITIONING GUIDELINES

How you begin your exercise program depends on your physical condition. If you have been inactive for several years or are severely overweight, start slowly and increase your workout time gradually. Increase your workout intensity gradually by monitoring your heart rate while you exercise.

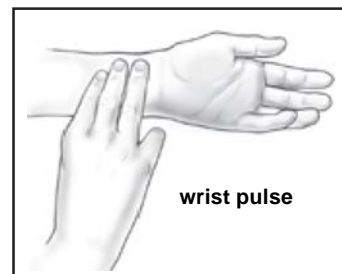
Remember to follow these essentials:

- Have your doctor review your training and diet programs.
- Begin your training program slowly with realistic goals that have been set by you and your physician.
- Warm up before you exercise and cool down after you work out.
- Take your pulse periodically during your workout and strive to stay within a range of 60% (lower intensity) to 90% (higher intensity) of your maximum heart rate zone. Start at the lower intensity, and build up to higher intensity as you become more aerobically fit.
- If you feel dizzy or lightheaded you should slow down or stop exercising.

Initially you may only be able to exercise within your target zone for a few minutes; however, your aerobic capacity will improve over the next six to eight weeks. It is important to pace yourself while you exercise so you don't tire too quickly.

To determine if you are working out at the correct intensity, use a heart rate monitor or use the table below. For effective aerobic exercise, your heart rate should be maintained at a level between 60% and 90% of your maximum heart rate. If just starting an exercise program, work out at the low end of your target heart rate zone. As your aerobic capacity improves, gradually increase the intensity of your workout by increasing your heart rate.

Measure your heart rate periodically during your workout by stopping the exercise but continuing to move your legs or walk around. Place two or three fingers on your wrist and take a six second heartbeat count. Multiply the results by ten to find your heart rate. For example, if your six second heartbeat count is 14, your heart rate is 140 beats per minute. A six second count is used because your heart rate will drop rapidly when you stop exercising. Adjust the intensity of your exercise until your heart rate is at the proper level.



Target Heart Rate Zone Estimated by Age*

Age	Target Heart Rate Zone (55%-90% of Maximum Heart Rate)	Average Maximum Heart Rate 100%
20 years	110-180 beats per minute	200 beats per minute
25 years	107-175 beats per minute	195 beats per minute
30 years	105-171 beats per minute	190 beats per minute
35 years	102-166 beats per minute	185 beats per minute
40 years	99-162 beats per minute	180 beats per minute
45 years	97-157 beats per minute	175 beats per minute
50 years	94-153 beats per minute	170 beats per minute
55 years	91-148 beats per minute	165 beats per minute
60 years	88-144 beats per minute	160 beats per minute
65 years	85-139 beats per minute	155 beats per minute
70 years	83-135 beats per minute	150 beats per minute

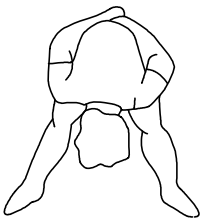
* For cardiorespiratory training benefits, the American College of Sports Medicine recommends working out within a heart rate range of 55% to 90% of maximum heart rate. To predict the maximum heart rate, the following formula was used: $220 - \text{Age} = \text{predicted maximum heart rate}$

WARM-UP and COOL-DOWN

Warm-Up The purpose of warming up is to prepare your body for exercise and to minimize injuries. Warm up for two to five minutes before strength training or aerobic exercising. Perform activities that raise your heart rate and warm the working muscles. Activities may include brisk walking, jogging, jumping jacks, jump rope, and running in place

Stretching Stretching while your muscles are warm after a proper warm-up and again after your strength or aerobic training session is very important. Muscles stretch more easily at these times because of their elevated temperature, which greatly reduces the risk of injury. Stretches should be held for 15 to 30 seconds. Do not bounce.

Suggested Stretching Exercises



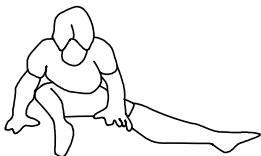
Lower Body Stretch

Place feet shoulder-width apart and lean forward. Keep this position for 30 seconds using the body as a natural weight to stretch the backs of the legs. **DO NOT BOUNCE!** When the pull on the back of the legs lessens, gradually try a lower position.



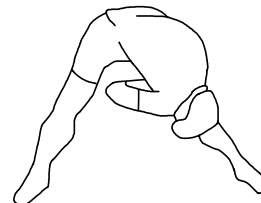
Floor Stretch

While sitting on the floor, open the legs as wide as possible. Stretch the upper body toward the knee on the right leg by using your arms to pull your chest to your thighs. Hold this stretch 10 to 30 seconds. **DO NOT BOUNCE!** Do this stretch 10 times. Repeat the stretch with the left leg.



Bent Torso Pulls

While sitting on the floor, have legs apart, one leg straight and one knee bent. Pull the chest down to touch the thigh on the leg that is bent, and twist at the waist. Hold this position at least 10 seconds. Repeat 10 times on each side.



Bent Over Leg Stretch

Stand with feet shoulder-width apart and lean forward as illustrated. Using the arms, **gently** pull the upper body towards the right leg. Let the head hang down. **DO NOT BOUNCE!** Hold the position a minimum of 10 seconds. Repeat pulling the upper body to the left leg. Do this stretch several times slowly.

Remember to always check with your physician before starting any exercise program.

Cool-Down The purpose of cooling down is to return the body to its normal, or near normal, resting state at the end of each exercise session. A proper cool-down slowly lowers your heart rate and allows blood to return to the heart. Your cool-down should include the stretches listed above and should be completed after each strength training session.

WARRANTY

Stamina Products, Inc. warrants that this product will be free from defects in materials and workmanship under normal use, service and proper operation for a period of 90 days on the parts and one year on the frame from the date of the original purchase from an authorized retailer. **THIS WARRANTY SHALL NOT APPLY TO ANY PRODUCT WHICH HAS BEEN SUBJECT TO COMMERCIAL USE, ABUSE, MISUSE, ALTERATION OF ANY TYPE OR CAUSE OR TO ANY DEFECT OR DAMAGE CAUSED BY REPAIR, REPLACEMENT, SUBSTITUTION OR USE WITH PARTS OTHER THAN PARTS PROVIDED BY STAMINA PRODUCTS, INC.** Commercial use includes use of the product in athletic clubs, health clubs, spas, gymnasiums, exercise facilities, and other public or semipublic facilities whether or not the product's use is in furtherance of a profit making enterprise, and all other use which is not for personal, family, or household purposes.

To implement this limited warranty, send a written notice stating your name, date, and place of purchase and a brief description of the defect along with your receipt to **Stamina Products, Inc. P.O. Box 1071, Springfield Missouri, USA, 65801-1071**, or email us at **customerservice@staminaproducts.com**, or call us at **1-800-375-7520**. If the defect is covered under this limited warranty, you will be requested to return the product or part to us for free repair or replacement at our option. **NO ACTION FOR BREACH OF THIS LIMITED WARRANTY MAY BE COMMENCED MORE THAN ONE (1) YEAR AFTER THE DATE THE ALLEGED BREACH WAS OR SHOULD HAVE BEEN DISCOVERED. NO ACTION FOR BREACH OF ANY IMPLIED WARRANTY MAY BE COMMENCED MORE THAN ONE (1) YEAR AFTER DELIVERY OF THE PRODUCT TO THE PURCHASER.** This limited warranty is not transferable. **IF ANY PART OF THE PRODUCT IS NOT IN COMPLIANCE WITH THIS LIMITED WARRANTY OR ANY IMPLIED WARRANTY, THE REMEDY OF REPAIR OR REPLACEMENT IS THE EXCLUSIVE REMEDY AVAILABLE TO YOU.** In the event that the purchaser makes any claim under this limited warranty or any implied warranty, the Warrantor reserves the right to require the product to be returned for inspection, at the purchaser's expense, to the Warrantor's premises in Springfield, Missouri. Return of the enclosed warranty registration card is not required for warranty coverage, but is merely a way of establishing the date and place of purchase.

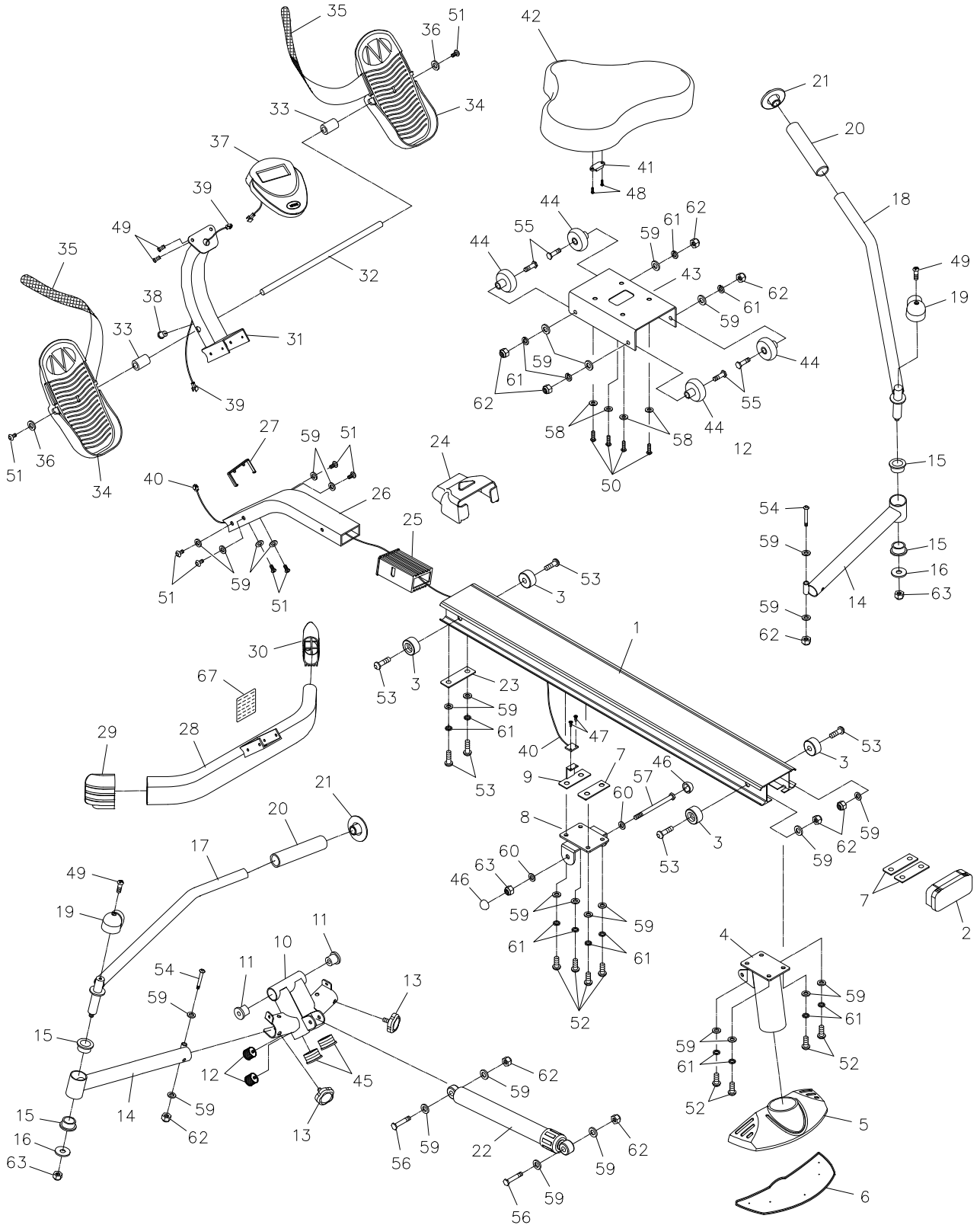
Stamina Products, Inc. **SHALL NOT BE LIABLE FOR THE LOSS OF USE OF ANY PRODUCT, LOSS OF TIME, INCONVENIENCE, COMMERCIAL LOSS OR ANY OTHER INDIRECT, CONSEQUENTIAL, SPECIAL OR INCIDENTAL DAMAGES DUE TO BREACH OF THE ABOVE WARRANTY OR ANY IMPLIED WARRANTY.**

This limited warranty is the only written or express warranty given by Stamina Products, Inc. This warranty gives you specific legal rights, and you may also have other legal rights which vary from state to state. **ANY OTHER RIGHT WHICH YOU MAY HAVE, INCLUDING ANY IMPLIED WARRANTY OR MERCHANTABILITY OR FITNESS FOR A PARTICULAR PURPOSE, IS LIMITED IN DURATION TO THE DURATION OF THIS WARRANTY.**

The laws in some jurisdictions restrict the rights of manufacturers and distributors of consumer goods to disclaim or limit implied warranties and consequential and incidental damages with respect thereto. If any such law is found to be applicable, the foregoing disclaimers and limitations of and on implied warranties and consequential and incidental damages with respect thereto shall be disregarded and shall be deemed not to have been made to the extent necessary to comply with such legal restriction.

PRODUCT PARTS DRAWING

FRONT



BACK

PARTS LIST

PART#	PART NAME	QTY
1	Center Beam	1
2	Center Beam Cap	1
3	Seat Stopper	4
4	Rear Support	1
5	Stabilizer Cap	1
6	Stabilizer Pad	1
7	Threaded Support Plate	3
8	Handlebar Support	1
9	Sensor Support Plate	1
10	Pivot Connector	1
11	Pivot Bushing	2
12	Bumper Knob	2
13	Locking Knob	2
14	Extension Arm	2
15	Extension Arm Bushing	4
16	Large Washer (3/8")	2
17	Left Handlebar	1
18	Right Handlebar	1
19	Securing Cap	2
20	Foam Grip	2
21	Handlebar Cap	2
22	Shock	1
23	Support Plate	1
24	Front Cover	1
25	Sleeve	1
26	Front Support	1
27	Support Ring	1
28	Front Stabilizer	1
29	Left Stand Cap	1
30	Right Stand Cap	1
31	Meter Post	1
32	Pedal Shaft	1
33	Pedal Spacer	2
34	Pedal	2
35	Pedal Strap	2
36	Large Washer (M8)	2
37	Meter	1
38	Grommet	1
39	Extension Wire	1
40	Sensor Wire	1
41	Magnet	1
42	Seat	1
43	Seat Carriage	1
44	Roller	4
45	Round Plug (25mm)	2
46	Nut Cap (3/8")	2
47	Screw, Round Head (M3.5 x 12mm)	2

PARTS LIST

PART#	PART NAME	QTY
48	Screw, Round Head (M3.5 x 15mm)	2
49	Screw, Round Head (M5 x 0.6 x 12mm)	4
50	Bolt, Round Head (M6 x 1 x 14mm)	4
51	Bolt, Button Head (M8 x 1.25 x 15mm)	8
52	Bolt, Button Head (M8 x 1.25 x 20mm)	8
53	Bolt, Button Head (M8 x 1.25 x 25mm)	6
54	Bolt, Button Head (M8 x 1.25 x 55mm)	2
55	Bolt, Hex Head (M8 x 1.25 x 32mm)	4
56	Bolt, Hex Head (M8 x 1.25 x 41mm)	2
57	Bolt, Hex Head (3/8" - 16 x 4 7/8")	1
58	Washer (M6)	4
59	Washer (M8)	30
60	Washer (3/8")	2
61	Spring Washer (M8)	14
62	Nylon Nut (M8 x 1.25)	10
63	Nylon Nut (3/8" - 16)	3
64	Allen Wrench (6mm)	2
65	Wrench (13mm)	1
66	Owner's Manual	1
67	Warning Label	1

NOTES

FAX/MAIL ORDERING FORM

Please do not return the product. For your convenience, Stamina's Customer Service Department can be reached by email at customerservice@staminaproducts.com or toll free at 1-800-375-7520 (in the U.S.). Should a part be missing or a defective part found, please call us from 7:30 A.M. to 5:00 P.M. Central Time, Monday through Thursday and 8:00 A.M. to 3:00 P.M. on Friday or fill out the fax sheet ordering form below and fax it to (417) 889-8064. Our Customer Service Department will be able to assist you with your problem and the part will be mailed directly to your house.



TELEPHONE
CUSTOMER SERVICE
Tel: 1 (800) 375-7520



FAX
CUSTOMER SERVICE
Fax: (417) 889-8064



ONLINE
CUSTOMER SERVICE
customerservice@staminaproducts.com
www.staminaproducts.com



MAIL
STAMINA PRODUCTS, INC.
ATTN: Customer Service
P.O. Box 1071
Springfield, MO. 65801-1071



Detach and Mail or Fax the Form Below



Stamina Products, Inc.
P.O. Box 1071
Springfield, MO 65801-1071

Mr./Ms: _____

Address: _____ Apt. #: _____

City: _____ State: _____ Zip Code: _____

IMPORTANT: We must have your phone number in order to process the order!

Phone #: () _____ Work Phone #: () _____

Date Purchased: _____

Model #: _____

Purchased From: _____

**IMPORTANT: Before filling out the form below make sure you have the right information.
Refer to the parts list to make sure you're ordering the right parts!**

PART #	DESCRIPTION	QUANTITY
EXAMPLE: 1	Rear Unit Assembly	1

Free Manuals Download Website

<http://myh66.com>

<http://usermanuals.us>

<http://www.somanuals.com>

<http://www.4manuals.cc>

<http://www.manual-lib.com>

<http://www.404manual.com>

<http://www.luxmanual.com>

<http://aubethermostatmanual.com>

Golf course search by state

<http://golfingnear.com>

Email search by domain

<http://emailbydomain.com>

Auto manuals search

<http://auto.somanuals.com>

TV manuals search

<http://tv.somanuals.com>