

STANLEY

CT10
1650 PSI

HYDRAULIC CRIMPING TOOLS



SAFETY, OPERATION AND MAINTENANCE USER'S MANUAL



© 2011 Stanley Black & Decker, Inc.
New Britain, CT 06053
U.S.A.
58545 3/2014 Ver. 8

TABLE OF CONTENTS

SAFETY SYMBOLS	4
SAFETY PRECAUTIONS.....	5
TOOL STICKERS & TAGS.....	6
TOOL HOSE INFORMATION.....	7
HTMA REQUIREMENTS.....	9
OPERATION.....	10
STORAGE.....	13
EQUIPMENT PROTECTION & CARE	14
TROUBLESHOOTING	15
SPECIFICATIONS.....	16
ACCESSORIES.....	16
CT10016N PARTS ILLUSTRATION	17
CT10016N PARTS LIST.....	18
CT10056DN PARTS ILLUSTRATION	19
CT10056DN PARTS LIST	20
CT10056N PARTS ILLUSTRATION	21
CT10056N PARTS LIST.....	22
CT10066AN PARTS ILLUSTRATION.....	23
CT10066AN PARTS LIST.....	24

IMPORTANT

To fill out a Product Warranty Recording form, and for information on your warranty, visit Stanleyhydraulic.com and select the Warranty tab.

(NOTE: The warranty recording form must be submitted to validate the warranty).

SERVICING THE STANLEY CRIMPING TOOL: This manual contains safety, operation, and routine maintenance instructions. Stanley Hydraulic Tools recommends that servicing of hydraulic tools, other than routine maintenance, must be performed by an authorized and certified dealer. Please read the following warning.

WARNING

SERIOUS INJURY OR DEATH COULD RESULT FROM THE IMPROPER REPAIR OR SERVICE OF THIS TOOL.

REPAIRS AND / OR SERVICE TO THIS TOOL MUST ONLY BE DONE BY AN AUTHORIZED AND CERTIFIED DEALER.

SAFETY PRECAUTIONS

Tool operators and maintenance personnel must always comply with the safety precautions given in this manual and on the stickers and tags attached to the tool and hose.

These safety precautions are given for your safety. Review them carefully before operating the tool and before performing general maintenance or repairs.

Supervising personnel should develop additional precautions relating to the specific work area and local safety regulations. If so, place the added precautions in the space provided on page 4.






The model CT10 Hydraulic Crimping Tool will provide safe and dependable service if operated in accordance with the instructions given in this manual. Read and understand this manual and any stickers and tags attached to the tool and hose before operation. Failure to do so could result in personal injury or equipment damage.



- The operator must start in a work area without bystanders. Flying debris can cause serious injury.
- Do not operate the tool unless thoroughly trained or under the supervision of an instructor. Establish a training program for all operators to ensure safe operation.
- Always wear safety equipment such as goggles, ear and head protection, and safety shoes at all times when operating the tool. Use gloves and aprons when necessary.
- The operator must be familiar with all prohibited work areas such as excessive slopes and dangerous terrain conditions.
- Do not inspect, clean or replace any part(s) if the hydraulic power source is connected. Do not inspect or clean the tool while the hydraulic power source is connected. Accidental engagement of the tool can cause serious injury.
- Always connect hoses to the tool hose couplers before energizing the hydraulic power source. Be sure all hose connections are tight and are in good condition.
- Do not operate the tool at oil temperatures above 140°F/60°C. Operation at higher temperatures can cause higher than normal temperatures at the tool which can result in operator discomfort.
- Do not operate a damaged, improperly adjusted, or incompletely assembled tool. Do not carry tool by the hoses.
- Never wear loose clothing that can get entangled in the working parts of the tool.
- Keep all parts of your body away from the tool and maintain proper footing and balance at all times.
- Do not rely exclusively upon the safety devices built into the tool.
- Always be well rested and mentally alert before operating the tool.
- Do not allow other persons to be near the tool when in operation. Keep bystanders and animals out of the work area.
- Keep the handles dry, clean and free of oil.
- When using tools near energized transmission lines, be sure to use only hoses labeled and certified non-conductive.
- Turn off the power unit or move the hydraulic control valve to neutral before setting the tool down.
- Know the location of buried or covered electrical services before starting work.
- To avoid personal injury or equipment damage, all tool repair, maintenance and service must only be performed by authorized and properly trained personnel.

TOOL STICKERS & TAGS

Please refer to the Parts List Illustration for location of stickers.

 <p>Stanley Hydraulic Tools 3810 SE Naef Road Milwaukee, OR 97267</p> <p>Model No. CT10</p> <p>11-04 9m/0-9 gpm 138 bar/2000 psi</p> <p>OC/CC</p> <p>For use on open center and closed center hydraulic systems. Use open center tool on open center systems. Use closed center tool on closed center systems. Set tool for proper system before use.</p> <p>CAUTION</p> <p>DO NOT CHANGE WITHOUT DIES</p>	 WARNING	
		<p>Read owners manual and make sure that you have been properly trained in the correct procedures required for work on or around electric lines. Failure to use hydraulic hose labeled and certified as non-conductive when using hydraulic tools on or near electric lines may result in death or serious injury.</p>
		<p>Do not exceed specified flow or pressure. Correctly connect hoses to tool "IN" and "OUT." Improper handling, use or maintenance can result in a leak or burst. Contact at a leak or burst can cause oil injection to the body. Failure to observe the precautions can result in serious personal injury.</p>
		<p>Stay clear of dies and tool heads. Failure to observe the precautions can result in serious personal injury.</p>

58499
CT10 Sticker

NOTE

THE INFORMATION LISTED ON THE STICKERS SHOWN, MUST BE LEGIBLE AT ALL TIMES.

REPLACE DECALS IF THEY BECOME WORN OR DAMAGED. REPLACEMENTS ARE AVAILABLE FROM YOUR LOCAL STANLEY DISTRIBUTOR.

The safety tag (p/n 15875) at right is attached to the tool when shipped from the factory. Read and understand the safety instructions listed on this tag before removal. We suggest you retain this tag and attach it to the tool when not in use.

DANGER

1. FAILURE TO USE HYDRAULIC HOSE **Labeled and Certified as Non-Conductive** when using hydraulic tools on or near electrical lines may result in death or serious injury.

BEFORE USING HOSE **Labeled and Certified as Non-Conductive** on or near electrical lines be sure the hose is **Maintained as Non-Conductive**. The hose should be regularly tested for electric current leakage in accordance with your safety department instructions.
2. A HYDRAULIC LEAK OR BURST MAY CAUSE OIL INJECTION INTO THE BODY OR CAUSE OTHER SEVERE PERSONAL INJURY.
 - A **DO NOT EXCEED SPECIFIED FLOW AND PRESSURE** FOR THIS TOOL. EXCESS FLOW OR PRESSURE MAY CAUSE A LEAK OR BURST.
 - B **DO NOT EXCEED RATED WORKING PRESSURE** OF HYDRAULIC HOSE USED WITH THIS TOOL. EXCESS PRESSURE MAY CAUSE A LEAK OR BURST.
 - C CHECK TOOL HOSE COUPLERS AND CONNECTORS DAILY FOR LEAKS. **DO NOT FEEL FOR LEAKS WITH YOUR HANDS.** CONTACT WITH A LEAK MAY RESULT IN SEVERE PERSONAL INJURY.

IMPORTANT

READ OPERATION MANUAL AND SAFETY INSTRUCTIONS FOR THIS TOOL BEFORE USING IT.

USE ONLY PARTS AND REPAIR PROCEDURES APPROVED BY STANLEY AND DESCRIBED IN THE OPERATION MANUAL.

TAG TO BE REMOVED ONLY BY TOOL OPERATOR.

SEE OTHER SIDE

DANGER

- D DO NOT LIFT OR CARRY TOOL BY THE HOSES. DO NOT ABUSE HOSE. DO NOT USE KINKED, TORN OR DAMAGED HOSE.
3. MAKE SURE HYDRAULIC HOSES ARE PROPERLY CONNECTED TO THE TOOL BEFORE PRESSURING SYSTEM. SYSTEM PRESSURE HOSE MUST ALWAYS BE CONNECTED TO TOOL "IN" PORT. SYSTEM RETURN HOSE MUST ALWAYS BE CONNECTED TO TOOL "OUT" PORT. REVERSING CONNECTIONS MAY CAUSE REVERSE TOOL OPERATION WHICH CAN RESULT IN SEVERE PERSONAL INJURY.
4. DO NOT CONNECT OPEN-CENTER TOOLS TO CLOSED-CENTER HYDRAULIC SYSTEMS. THIS MAY RESULT IN LOSS OF OTHER HYDRAULIC FUNCTIONS POWERED BY THE SAME SYSTEM AND/OR SEVERE PERSONAL INJURY.
5. BYSTANDERS MAY BE INJURED IN YOUR WORK AREA. KEEP BYSTANDERS CLEAR OF YOUR WORK AREA.
6. WEAR HEARING, EYE, FOOT, HAND AND HEAD PROTECTION.
7. TO AVOID PERSONAL INJURY OR EQUIPMENT DAMAGE, ALL TOOL REPAIR MAINTENANCE AND SERVICE MUST ONLY BE PERFORMED BY AUTHORIZED AND PROPERLY TRAINED PERSONNEL.

IMPORTANT

READ OPERATION MANUAL AND SAFETY INSTRUCTIONS FOR THIS TOOL BEFORE USING IT.

USE ONLY PARTS AND REPAIR PROCEDURES APPROVED BY STANLEY AND DESCRIBED IN THE OPERATION MANUAL.

TAG TO BE REMOVED ONLY BY TOOL OPERATOR.

SEE OTHER SIDE

SAFETY TAG P/N 15875 (shown smaller than actual size)

TOOL HOSE INFORMATION

HOSE TYPES

The rated working pressure of the hydraulic hose must be equal to or higher than the relief valve setting on the hydraulic system. There are three types of hydraulic hose that meet this requirement and are authorized for use with Stanley Hydraulic Tools. They are:

Certified non-conductive - constructed of thermoplastic or synthetic rubber inner tube, synthetic fiber braid reinforcement, and weather resistant thermoplastic or synthetic rubber cover. *Hose labeled **certified non-conductive** is the only hose authorized for use near electrical conductors.*

Wire-braided (conductive) - constructed of synthetic rubber inner tube, single or double wire braid reinforcement, and weather resistant synthetic rubber cover. *This hose is **conductive** and must never be used near electrical conductors.*

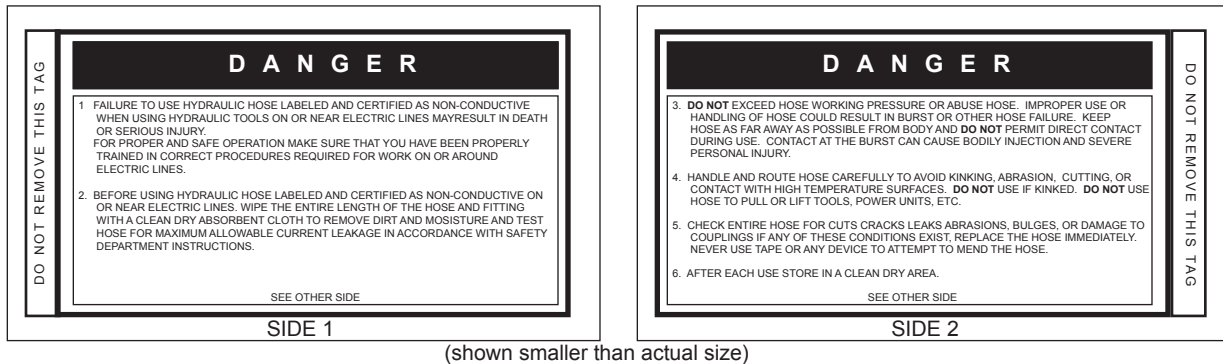
Fabric-braided (not certified or labeled non-conductive) - constructed of thermoplastic or synthetic rubber inner tube, synthetic fiber braid reinforcement, and weather resistant thermoplastic or synthetic rubber cover. *This hose is **not certified non-conductive** and must never be used near electrical conductors.*

HOSE SAFETY TAGS

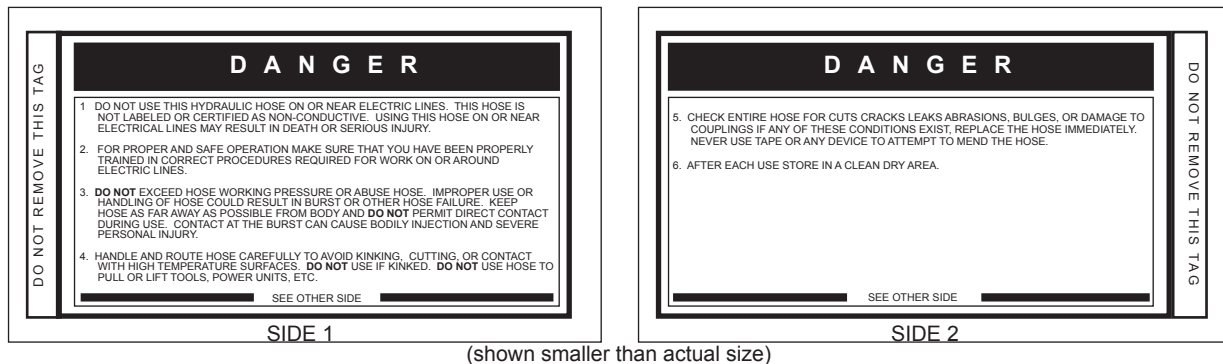
To help ensure your safety, the following DANGER tags are attached to all hose purchased from Stanley Hydraulic Tools. DO NOT REMOVE THESE TAGS.

If the information on a tag is illegible because of wear or damage, replace the tag immediately. A new tag may be obtained from your Stanley Distributor.

THE TAG SHOWN BELOW IS ATTACHED TO "CERTIFIED NON-CONDUCTIVE" HOSE



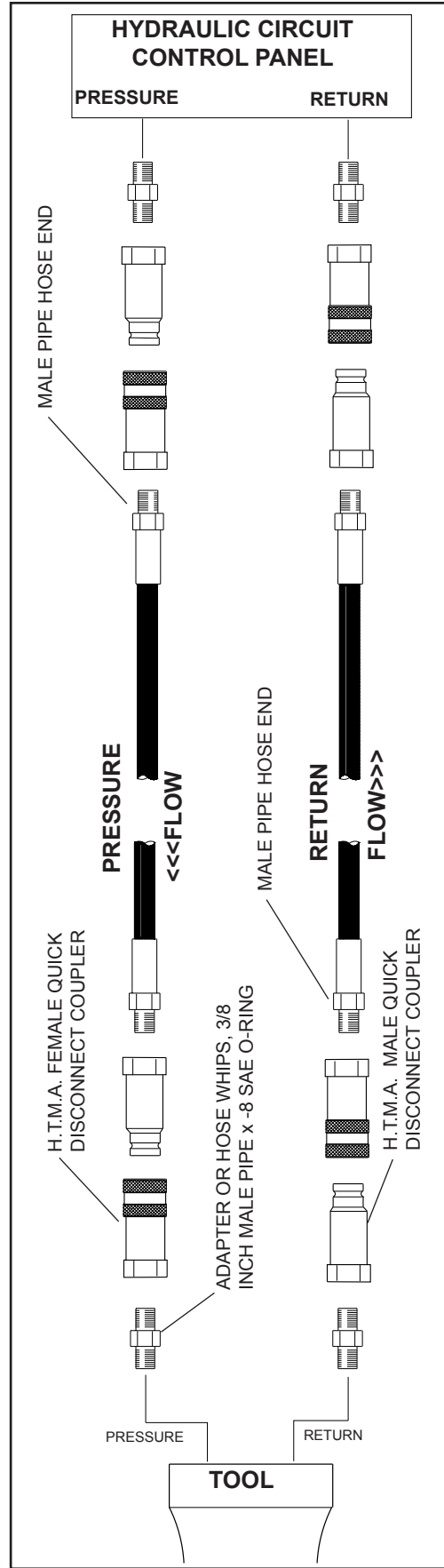
THE TAG SHOWN BELOW IS ATTACHED TO "CONDUCTIVE" HOSE.



Tool To Circuit Hose Recommendations

Oil Flow		Each Hose Length		Inside Diameter		USE	Wire Braid Hose Spec		Working Pressure		Fiber Braid Hose Spec		Operating Pressure	
GPM	LPM	FEET	METERS	INCH	MM		PSI	BAR	PSI	BAR	PSI	BAR		
5-8	19-30	up to 50	up to 15	1/2	13	Both	SAE 100R17-8	3000	230	SAE 100R7-8	2000	140		
5-8	19-30	51-100	15-30	5/8	16	Both	SAE 100R17-10	3000	230	SAE 100R8-10	2750	190		
5-8	19-30	100-300	30-90	5/8	16	Pressure	SAE 100R2-10	2750	190	SAE 100R8-10	2750	190		
9-12	34-45	up to 50	up to 15	3/4	19	Return	SAE 100R1-12	1250	86	SAE 100R7-12	1250	86		
9-12	34-45	51-100	15-30	5/8	16	Both	SAE 100R17-10	3000	230	SAE 100R8-10	2750	190		
9-12	34-45	100-200	30-60	5/8	16	Pressure	SAE 100R2-10	2750	190	SAE 100R8-10	2750	190		
				3/4	19	Return	SAE 100R1-16	1000	69	SAE 100R7-12	1250	86		
				3/4	19	Pressure	SAE 100R17-12	3000	230	NA	NA	NA		
				1	25.4	Return	SAE 100R1-16	1000	69	NA	NA	NA		
13-16	49-60	up to 25	up to 8	5/8	16	Pressure	SAE 100R2-10	2750	190	SAE 100R8-10	2750	190		
13-16	49-60	26-100	8-30	3/4	19	Return	SAE 100R1-12	1250	86	SAE 100R7-12	1250	86		
				3/4	19	Pressure	SAE 100R17-12	3000	230	NA	NA	NA		
				1	25.4	Return	SAE 100R1-16	1000	69	NA	NA	NA		

NOTE: SAE 100R16 may be used in place of SAE 100R2



Typical Hose Connections

HTMA / EHTMA REQUIREMENTS

HTMA / EHTMA REQUIREMENTS

HTMA






HYDRAULIC SYSTEM REQUIREMENTS

TOOL TYPE

	TYPE I	TYPE II	TYPE RR	TYPE III
Flow Range	4-6 gpm (15-23 lpm)	7-9 gpm (26-34 lpm)	9-10.5 gpm (34-40 lpm)	11-13 gpm (42-49 lpm)
Nominal Operating Pressure (at the power supply outlet)	1500 psi (103 bar)	1500 psi (103 bar)	1500 psi (103 bar)	1500 psi (103 bar)
System relief valve setting (at the power supply outlet)	2100-2250 psi (145-155 bar)	2100-2250 psi (145-155 bar)	2200-2300 psi (152-159 bar)	2100-2250 psi (145-155 bar)
Maximum back pressure (at tool end of the return hose)	250 psi (17 bar)	250 psi (17 bar)	250 psi (17 bar)	250 psi (17 bar)
Measured at a max. fluid viscosity of: (at min. operating temperature)	400 ssu* (82 centistokes)	400 ssu* (82 centistokes)	400 ssu* (82 centistokes)	400 ssu* (82 centistokes)
Temperature: Sufficient heat rejection capacity to limit max. fluid temperature to: (at max. expected ambient temperature)	140° F (60° C)	140° F (60° C)	140° F (60° C)	140° F (60° C)
Min. cooling capacity at a temperature difference of between ambient and fluid temps NOTE: Do not operate the tool at oil temperatures above 140° F (60° C). Operation at higher temperatures can cause operator discomfort at the tool.	3 hp (2.24 kW) 40° F (22° C)	5 hp (3.73 kW) 40° F (22° C)	6 hp (5.22 kW) 40° F (22° C)	7 hp (4.47 kW) 40° F (22° C)
Filter Min. full-flow filtration Sized for flow of at least: (For cold temp. startup and max. dirt-holding capacity)	25 microns 30 gpm (114 lpm)	25 microns 30 gpm (114 lpm)	25 microns 30 gpm (114 lpm)	25 microns 30 gpm (114 lpm)
Hydraulic fluid Petroleum based (premium grade, anti-wear, non-conductive) Viscosity (at min. and max. operating temps)	100-400 ssu*	100-400 ssu* (20-82 centistokes)	100-400 ssu*	100-400 ssu*
NOTE: When choosing hydraulic fluid, the expected oil temperature extremes that will be experienced in service determine the most suitable temperature viscosity characteristics. Hydraulic fluids with a viscosity index over 140 will meet the requirements over a wide range of operating temperatures.				
*SSU = Saybolt Seconds Universal				

EHTMA HYDRAULIC SYSTEM REQUIREMENTS

CLASSIFICATION

					
Flow Range	3.5-4.3 gpm (13.5-16.5 lpm)	4.7-5.8 gpm (18-22 lpm)	7.1-8.7 gpm (27-33 lpm)	9.5-11.6 gpm (36-44 lpm)	11.8-14.5 gpm (45-55 lpm)
Nominal Operating Pressure (at the power supply outlet)	1870 psi (129 bar)	1500 psi (103 bar)	1500 psi (103 bar)	1500 psi (103 bar)	1500 psi (103 bar)
System relief valve setting (at the power supply outlet)	2495 psi (172 bar)	2000 psi (138 bar)	2000 psi (138 bar)	2000 psi (138 bar)	2000 psi (138 bar)

NOTE: These are general hydraulic system requirements. See tool specification page for tool specific requirements

OPERATION

PRE-OPERATION

Careful inspection of the tool and hydraulic system before startup is important for safe, reliable operation of the tool.

The following items should be checked daily at the start and the end of each work shift.

1. Make sure the proper dies are securely in place. Operating the tool without dies can deform the crimping heads. Refer to Die Installation for instructions.
2. Connect hoses. Wipe all hose couplers with a clean, lint-free cloth before making connections. Dirty couplers can contaminate the hydraulic lines and prevent a good seal at the connection.
3. Check all fasteners for tightness.
4. Check the equipment for oil leaks. If leaks are observed, do not use the tool; have the equipment serviced before use.
5. Check the tool and hydraulic system for proper operation and performance.
6. If the equipment does not appear to operate properly, have it serviced before use.
7. Periodically verify the crimping force of the tool. Refer to Die Load Verification.

SETUP AND TEST

Never operate the tool without dies. Operating without dies can deform the crimping head (retainer die yoke or C-frame).

If this happens, the dies cannot be installed and the crimping head must be replaced.

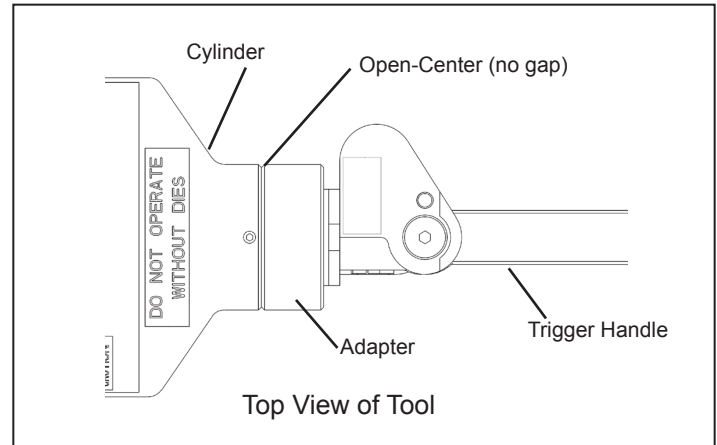
Never install the dies while the hydraulic hoses are connected to the tool.

Verify the crimping force before operating the tool.

OPEN CENTER/CLOSED CENTER SETUP

The CT10 Hydraulic Crimping Tool can be configured for either open-center or closed-center operation. The current setting is easily determined by looking at the gap between the adapter and the cylinder:

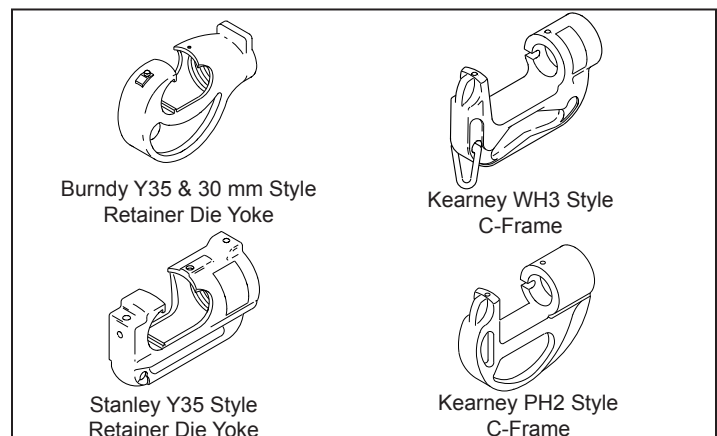
TO CHANGE THE CURRENT SETTING:



1. Remove the hydraulic hose coupling from the return port on the tool, if one is installed. When making the change from CC to OC, hydraulic fluid may be trapped in the tool, preventing complete movement of the adapter. Remove the return coupling to allow the hydraulic fluid to escape.
2. Loosen the 2 setscrews on the cylinder.
3. Turn the adapter until it stops:
 - counter clockwise (CCW) to change to closed center (creates gap)
 - clockwise (CW) to change to open center (closes gap)
4. Tighten the two setscrews.

DIE INSTALLATION

One die is installed in the crimping head (Retainer Die Yoke or C-frame) and the other die is installed onto the ram or die piston assembly, depending on the model. See below to identify the style of crimping head you have. Refer to the parts illustrations in this manual for more detailed reference.



OPERATION

To install dies, follow the instructions below for your model of crimping head.

1. If the hydraulic hoses are connected:

- Turn the hydraulic system control valve OFF.
- Disconnect first the hydraulic input (supply) hose, then the output (return) hose.

2. Clean the surfaces of the die holder to remove any dirt or grease.

3. Select the dies for the task:

- If the die load *has not* been verified, select blank dies and verify die load.
- If the die load *has* been verified, select a set of dies to match the sleeve or connector to be crimped.

TO INSTALL DIES ON STANLEY OR BURNDY CRIMPING HEADS - Y35 STYLE

Install the die to the Retainer Die Yoke:

1. Insert and center the die until it clicks into place.

Install the die to the Die Piston Assembly or Ram:

1. Press the die release pin at the side of the die piston assembly or ram.
2. Insert and center the die.
3. Release the pin to lock the die in place.

TO INSTALL DIES ON STANLEY OR KEARNEY CRIMPING HEADS - PH2 STYLE

Install the die to the C-Frame:

1. Loosen the capscrew at the side of the C-frame.
2. Press the stub on the die into the socket.
3. Tighten the capscrew to retain the die.

Install the die to the push rod.

1. Loosen the capscrew at the side of the push rod.
2. Press the stub on the die into the push rod socket.
3. Tighten the capscrew to retain the die.

TO INSTALL DIES ON KEARNEY CRIMPING HEAD -WH3 STYLE:

Install the die to the C-Frame:

1. Loosen the capscrew at the side of the C-frame.
2. Press the stub on the die into the socket.
3. Tighten the capscrew to retain the die .

Install the die to the push rod.

1. Loosen the capscrew at the side of the push rod.
2. Press the stub on the die into the push rod socket.
3. Tighten the capscrew to retain the die.

Make sure the hydraulic system control valve is in the OFF position when coupling or uncoupling the hoses. Failure to do so may result in damage to the quick couplers and cause overheating of the hydraulic system.

Before installing the hoses, wipe the fittings and the entire length of the hoses with a clean, dry lint-free cloth to remove any dirt or moisture. Dirty connections can contaminate the hydraulic fluid, causing rapid wear and early failure of internal parts.

Check the flow indicators (arrows) stamped on the couplers to ensure oil flows in the proper direction. The female coupler on the tool is the inlet coupler.

It is a good practice to connect the output (return) hose first and disconnect it last to minimize or avoid trapped pressure within the tool.

1. Connect the output hose to the OUT or T port on the tool.
2. Connect the input hose to the IN or P port.
3. Be sure all hose connections are tight.

DIE LOAD VERIFICATION

With blank (test) dies installed, use a die load tester to verify the crimping force in the tool before operating a new crimping tool, before placing the tool in service after storage or repair or periodically during normal use

1. Make sure blank (test) dies are installed in the die holder. If not, follow the Die Installation instructions at the beginning of this section.

OPERATION

2. Connect the tool to an appropriate hydraulic power source. Follow the Hydraulic Hose Connection safety guidelines and instructions in this section. If possible, use the hydraulic power source you plan to use for crimping.

3. Place the die load tester between the blank (test) dies.

4. Actuate the tool and read the value shown on the load tester indicator. The force should be 10–12 tons (9072–10,886 kg), depending on the pressure from the hydraulic power source.

5. If the indicated value is low and the system pressure relief valve setting is greater than 1650 psi (114 bar), adjust the relief valve on the CT to get the correct die load.

If the indicated value is high, adjust the relief valve on the CT to get the correct die load.

6. When the value is within the acceptable range, turn the hydraulic system control valve OFF and disconnect the hoses from the tool.

7. Follow the Die Installation instructions at the beginning of this section to remove the blank dies and install the proper crimping dies.

OC/CC SETTING

Check the open-center/closed-center (OC/CC) setting on the tool. The current setting is easily determined by looking at the gap between the adapter and the cylinder, see Figure 5-1.

- open center - no gap
- closed center - approximately 1/4-inch (6.4-mm) gap

If the setting is not correct for your hydraulic system, follow the instructions in this section, OC/CC Adjustment, to make the change.

DIE CHECK

Make sure the dies installed in the tool match the sleeve or connector to be crimped. If not, follow the instructions in this section, Die Installation.

CHECK POWER SOURCE

Using a calibrated flowmeter and pressure gauge, check the hydraulic power source at the tool's input port. Make sure the system maintains an operating flow in the range of 3-9 gpm/11-34 lpm within a pressure range of 1650-2000 psi /114-140 bar.

The hydraulic fluid temperature should be at least 80°F/27°C for this test.

CONNECT HOSES

1. Wipe all hose couplers with a clean, lint-free cloth before making connections.

2. Connect hoses from the hydraulic power source to the tool fittings or quick disconnects. It is good practice to connect the return hose first and disconnect it last to minimize or eliminate trapped pressure within the wrench.

3. Observe the flow indicators stamped on the main body assembly and the hose couplers to ensure that the flow is in the proper directions. The female couple on the tools "IN" port is the inlet (pressure) coupler.

Note:

If the uncoupled hoses are left in the sun, pressure increase within the hoses can make them difficult to connect. Whenever possible, connect the free ends of the hoses together.

OPERATION

Observe all safety precautions when operating the tool. Read Safety and Hydraulic System Requirements, before operating the tool for the first time.

CONDUCTOR PREPARATION

1. If the conductor is insulated, remove the insulation from the end of the conductor.

Use an insulation stripping tool. If a stripping tool is not available, carefully shave the insulation from the cable.

Be sure not to nick or cut the strands of the conductor.

2. Remove any oxide or foreign matter from the exposed conductor. A bright, shiny surface is required for a good connection. Do not wire-brush tin-plated copper conductors or tinned connectors.

STARTUP

1. Move the hydraulic system control valve to the ON position.

OPERATION

2. Remove any trapped air from the tool by squeezing the trigger 4 or 5 times to advance and retract the piston nearly a full stroke.
3. Position the tool to make the crimp.

IMPORTANT

Failure to center the connector between the dies will damage the dies and/or die holders.

4. Hook the stationary (retainer die yoke or C-frame) die on the connector being crimped to ensure the connector is centered between the dies.
5. Squeeze the trigger to advance the piston and crimp the connector.
6. Release the trigger to retract the piston.
7. Slide the tool into position for the next crimp. Some sleeves and connectors have special crimping requirements. Refer to the fitting manufacturer's requirements.
8. Remove the tool by lifting it free of the connector.

SHUTDOWN

1. Move the hydraulic system control valve to the OFF position.
2. Disconnect the hydraulic hoses from the tool—first the input (supply) hose, then the output (return) hose.
3. Insert plugs in the hose ends, couplers or tool ports, as applicable.
4. Wipe the tool thoroughly with a clean dry cloth.
5. Clean any foreign matter or joint compound from the die holder surfaces.

COLD WEATHER OPERATION

If the tool is to be used during cold weather, preheat the hydraulic fluid at low engine speed. When using the normally recommended fluids, fluid temperature should be at or above 50°F/10°C (400 ssu/82 centistokes) before use.

Damage to the hydraulic system or compression tool can result from use with fluid that is too viscous or too thick.

STORAGE

Replace any damaged or missing safety labels and tags before storing the tool. Clean, dry and lubricate moving parts before storage. Store in a clean, dry place.

EQUIPMENT PROTECTION & CARE

NOTICE

In addition to the Safety Precautions in this manual, observe the following for equipment protection and care.

- Make sure all couplers are wiped clean before connection.
- The hydraulic circuit control valve must be in the “OFF” position when coupling or uncoupling hydraulic tools. Failure to do so may result in damage to the quick couplers and cause overheating of the hydraulic system.
- Always store the tool in a clean dry space, safe from damage or pilferage.
- Make sure the circuit PRESSURE hose (with male quick disconnect) is connected to the “IN” port. The circuit RETURN hose (with female quick disconnect) is connected to the opposite port. Do not reverse circuit flow. This can cause damage to internal seals.
- Always replace hoses, couplings and other parts with replacement parts recommended by Stanley Hydraulic Tools. Supply hoses must have a minimum working pressure rating of 2500 psi/172 bar.
- Do not exceed the rated flow. Refer to Specifications in this manual for correct flow rate. Rapid failure of the internal seals may result.
- Always keep critical tool markings, such as warning stickers and tags legible.
- Do not force a small tool to do the job of a large tool.
- Keep tool bit sharp for maximum breaker performance. Make sure that tool bits are not chipped or rounded on the striking end.
- Never operate a chipper without a tool bit or without holding it against the work surface. This puts excessive strain on the retainer.
- Tool repair should be performed by experienced personnel only.
- Make certain that the recommended relief valves are installed in the pressure side of the system.
- Do not use the tool for applications for which it was not intended.

TROUBLESHOOTING

If symptoms of poor performance develop, the following chart can be used as a guide to correct the problem.

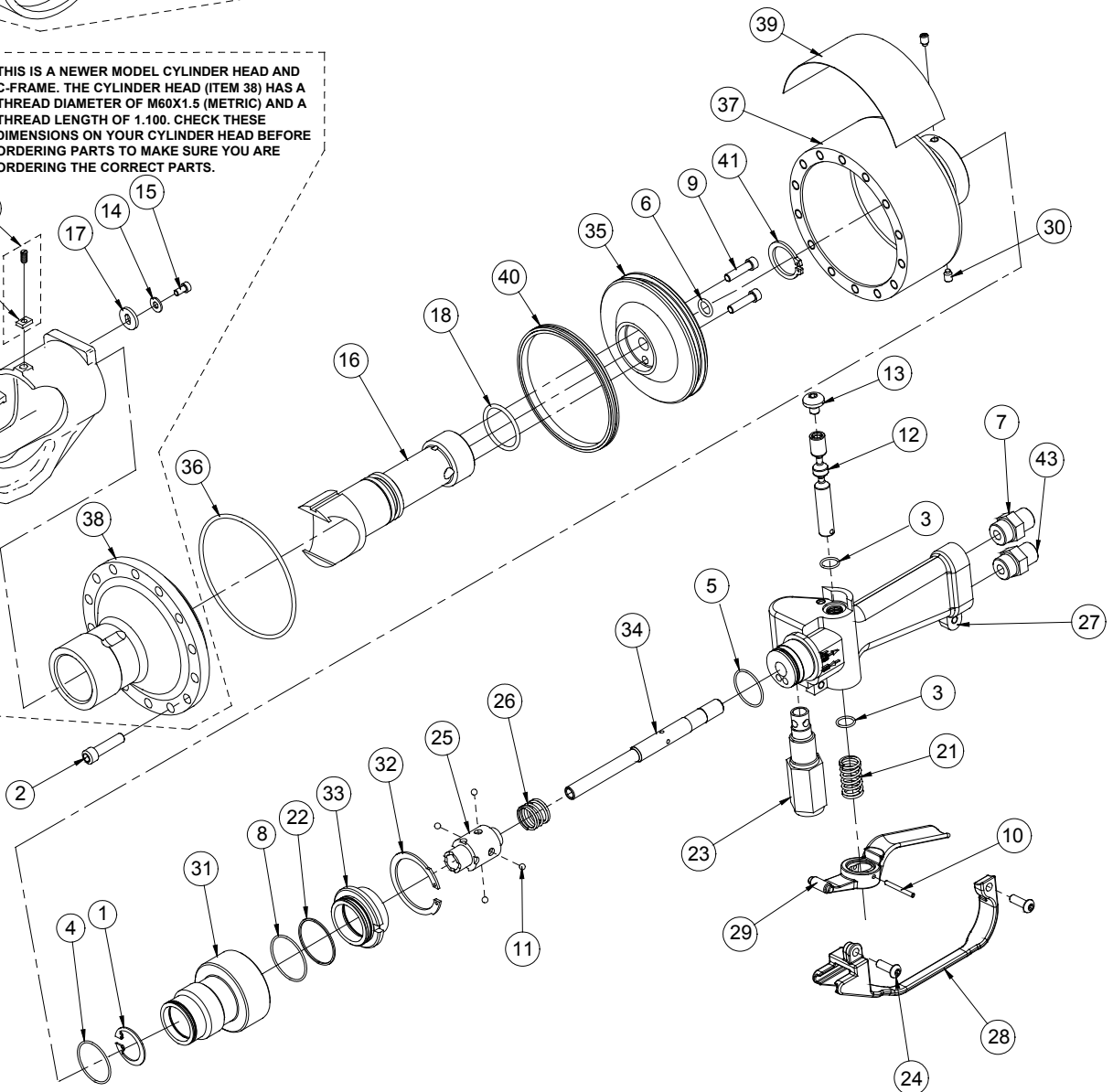
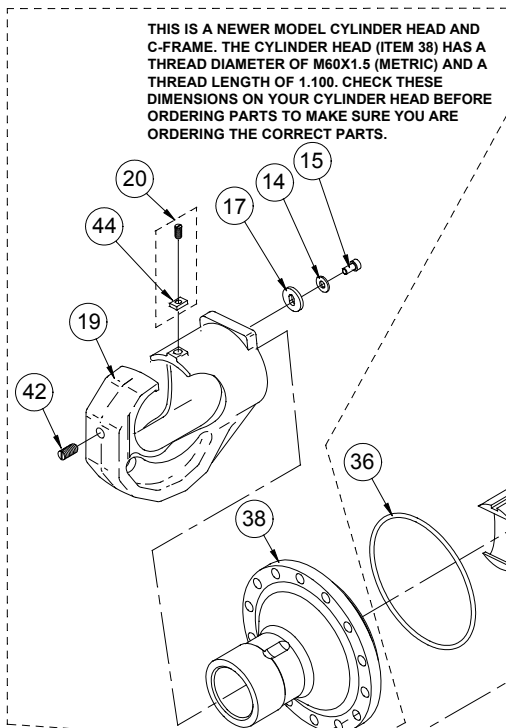
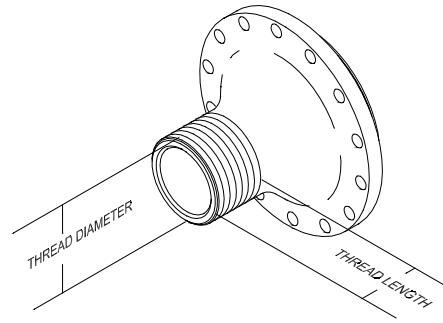
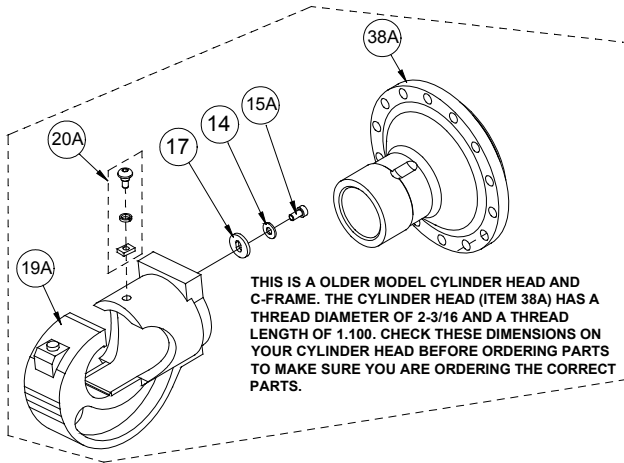
When diagnosing faults in operation of the grinder, always check that the hydraulic power source is supplying the correct hydraulic flow and pressure to the grinder as listed in the table. Use a flowmeter known to be accurate. Check the flow with the hydraulic oil temperature at least 80°F/27°C.

PROBLEM	CAUSE	SOLUTION
Tool does not operate.	Hydraulic hoses not connected properly.	Make sure hoses are connected and the couplers are tight.
	Hydraulic control valve OFF.	Turn the hydraulic system control valve ON.
	Hydraulic system not functioning.	Check hydraulic power unit for correct flow and pressure.
	Couplers or hoses blocked.	Remove obstruction.
	Pressure port check valve is installed in tool return port.	Install pressure port check valve in pressure port.
Tool operates in reverse. (piston advances/retracts when trigger is squeezed.)	Hoses connected to wrong ports on tool.	Connect input (supply) line to IN port. Connect output (return) line to OUT port.
Tool under-crimps. Die load less than 10 tons/9072 kg.	Hydraulic system pressure too low.	Check hydraulic power source for correct flow and pressure.
	Relief valve set too low.	Increase relief valve pressure.
	Dirt or obstruction between dies.	Remove obstruction. Clean die area.
	Piston seal worn or damaged.	Contact an authorized Stanley distributor.
Tool over-crimps. Die load more than 12 tons/10,886 kg.	Improper die set for wire and connector.	Install proper die set.
	Hydraulic system pressure too high.	Check hydraulic power source for correct flow and pressure.
	Relief valve set too high.	Decrease relief valve pressure.
Trigger difficult to operate.	Hoses connected to wrong ports on tool.	Connect input (supply) line to IN port. Connect output (return) line to OUT port.
	Excessive back-pressure.	If back-pressure is greater than 250 psi/17 bar, clear the return line obstruction or restriction.
	Trigger guard bent and binding on spool in bore.	Repair or replace trigger assembly.

SPECIFICATIONS

Capacity (depending on model)	500 MCM Copper to 1033 MCM Aluminum
Crimping Force	12 tons @ 1650 psi / 10,886 kg @ 114 bar
Pressure Range	1650-2500 psi/114-172 bar
Flow Range	3-9 gpm/11-34 lpm
Optimum Flow	8 gpm / 30 lpm
Porting	3/8 NPT
Hose Whips & Couplers	No
Weight	17 lbs / 7.7 kg
Overall Length	22 inches / 56.9 cm
Overall Width	7 inches / 18 cm

CT10016N PARTS ILLUSTRATION



CT10016N PARTS LIST

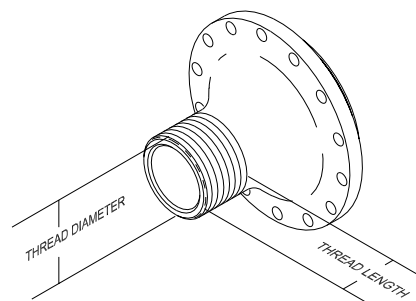
Item No.	Part No.	Qty	Description
1	00118	1	Retaining Ring
2	00144	14	HSHCS
3	07626	2	O-Ring
4	09330	1	O-Ring
5	00294	1	O-Ring
6	00360	1	O-Ring
7	00936	2	Adapter
8	01259	1	O-Ring
9	01521	2	HSHCS
10	01534	1	Roll Pin
11	01608	4	Steel Ball
12	01809	1	Valve Spool
13	01812	1	Valve Spool Screw
14	03014	1	Washer †
15	67281	1	Capscrew *
15A	03870	1	Capscrew **
16	06324	1	Die Piston Assy.
17	06326	1	Washer †
18	06332	1	O-Ring
19	66588	1	C-Frame *
19A	06333	1	Retainer Die Yoke **
20	67279	1	Set Screw Kit *
20A	07438	1	Key & Capscrew Kit **
21	16556	1	Spring
22	18050	1	Back-Up Ring
23	21424	1	Relief Valve
24	22147	2	Capscrew
25	38622	1	Valve Sleeve
26	39925	1	Compression Spring
27	39939	1	Valve Handle
28	51182	1	Trigger Guard
29	51183	1	Trigger
30	52534	2	Setscrew
31	58439	1	Adapter
32	58440	1	Retaining Ring
33	58441	1	Sleeve
34	58442	1	Oil Tube
35	58480	1	Piston

Item No.	Part No.	Qty	Description
36	58485	1	O-Ring
37	58493	1	Cylinder
38	67276	1	Cylinder Head *
38A	58494	1	Cylinder Head **
39	58499	1	Sticker
40	58583	1	T-Seal
41	58594	1	Retaining Ring
42	67277	1	Set Screw *
43	67259	1	Check Valve Assy *
44	67280	1	Key
	58551	1	SEAL KIT

NOTE 1: Items 38 and 38A differ in several ways and are not interchangeable. The following information explains the differences.

Item 38A contains 2-3/16-16UN threads and cannot be used with items 19 that contain M60 metric threads. Likewise, items 19 and 38 that contain M60 metric threads cannot be used with items 19A and 38A that contain 2-3/16-16UN threads.

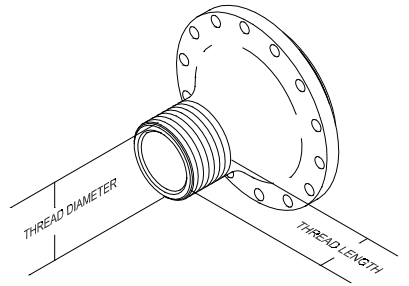
Item 38 and 38A can be identified by measuring the length of the threads (see figure below). The length of threads for item 38 is 1.100 inches. For item 38A the length is 1.100 inches. Due to both of these cylinder heads having the same thread length, you will need to measure the thread diameter to know whether you have a M60 metric thread or a 2-3/16 16UN thread.



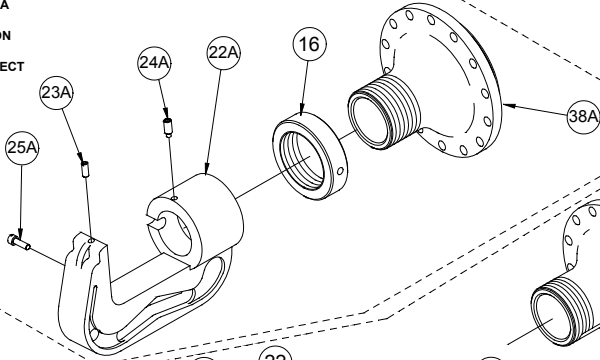
To determine which model you have, measure the thread length and diameter on the cylinder head.

CT10016N		
Cyl Head P/N	Thread Length	Thread Diameter
67276 (item 38)	1.100	M60x1.5
58494 (item-38A)	1.100	2-3/16

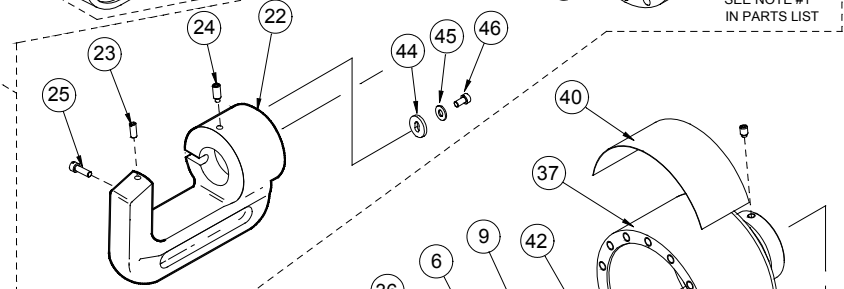
CT10056DN & DH PARTS ILLUSTRATION



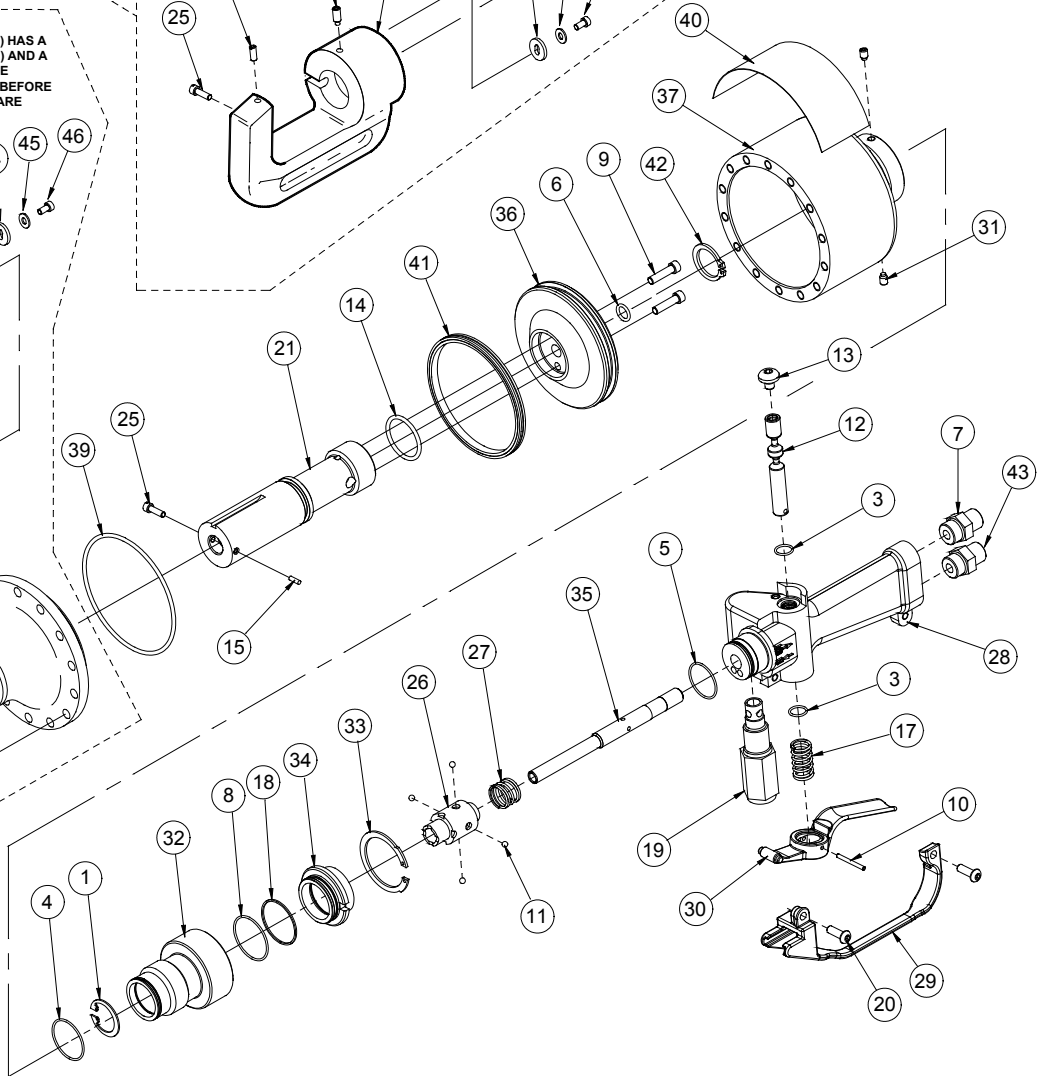
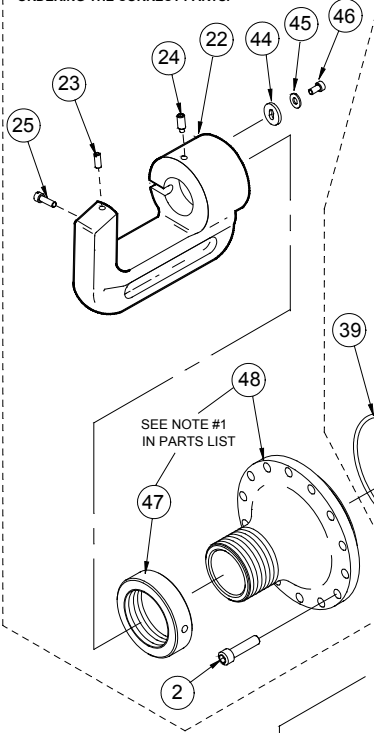
000000000000000000000000
 C-FRAME. THE CYLINDER HEAD (ITEM 38A) HAS A
 THREAD DIAMETER OF 2-1/8" AND A THREAD
 LENGTH OF 1.650. CHECK THESE DIMENSIONS ON
 000000000000000000000000
 TO MAKE SURE YOU ARE ORDERING THE CORRECT
 PARTS.



000000000000000000000000
 C-FRAME. THE CYLINDER HEAD (ITEM 38) HAS A
 THREAD DIAMETER OF M60X1.5 (METRIC) AND A
 THREAD LENGTH OF 1.100. CHECK THESE
 DIMENSIONS ON YOUR CYLINDER HEAD BEFORE
 ORDERING PARTS TO MAKE SURE YOU ARE
 ORDERING THE CORRECT PARTS.



000000000000000000000000
 C-FRAME. THE CYLINDER HEAD (ITEM 48) HAS A
 THREAD DIAMETER OF M60X1.5 (METRIC) AND A
 THREAD LENGTH OF 1.750. CHECK THESE
 DIMENSIONS ON YOUR CYLINDER HEAD BEFORE
 ORDERING PARTS TO MAKE SURE YOU ARE
 ORDERING THE CORRECT PARTS.



CT10056DN & DH PARTS LIST

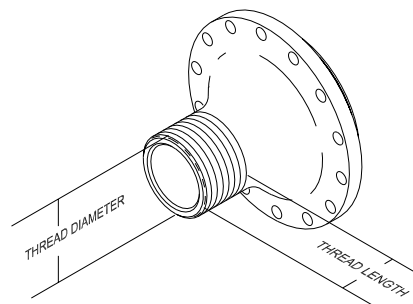
Item No.	Part No.	Qty	Description
1	00118	1	Retaining Ring
2	00144	14	HSCHS
3	07626	2	O-Ring
4	09330	1	O-Ring
5	00294	1	O-Ring
6	00360	1	O-Ring
7	00936	2	Adapter
8	01259	1	O-Ring
9	01521	2	HSCHS
10	01534	1	Roll Pin
11	01608	4	Steel Ball
12	01809	1	Valve Spool
13	01812	1	Valve Spool Screw
14	06332	1	O-Ring
15	08337	1	Ball Detent
16	09906	1	Jam Nut
17	16556	1	Spring
18	18050	1	Back-Up Ring
19	21424	1	Relief Valve
20	22147	2	Capscrew
21	24446	1	Push Rod
22	67264	1	C-Frame *
22A	25513	1	C-Frame **
23	67278	1	Ball Plunger *
23A	25833	1	Ball Plunger **
24	68272	1	Setscrew *
24A	25834	1	Setscrew **
25	67282	1	Slotted Capscrew *
25A	25837	2	Slotted Capscrew **
26	38622	1	Valve Sleeve
27	39925	1	Compression Spring
28	39939	1	Valve Handle
29	51182	1	Trigger Guard
30	51183	1	Trigger
31	52534	2	Setscrew
32	58439	1	Adapter
33	58440	1	Retaining Ring
34	58441	1	Sleeve
35	58442	1	Oil Tube
36	58480	1	Piston

Item No.	Part No.	Qty	Description
37	58481	1	Cylinder
38	67276	1	Cylinder Head * (See Note 1)
38A	58482	1	Cylinder Head **
39	58485	1	O-Ring
40	58499	1	Sticker
41	58583	1	T-Seal
42	58594	1	Retaining Ring
43	67259	1	Check Valve Assy *
44	06326	1	Washer *
45	03014	1	Washer *
46	67281	1	Capscrew *
47	68318	1	Jam Nut * (See Note 1)
48	68317	1	Cylinder Head * (See Note 1)
	58551	1	SEAL KIT

NOTE 1: Items 38, 38A and 48 differ in several ways and are not interchangeable. The following information explains the differences.

Item 38A contains 2-1/8-16UN threads and cannot be used with items 22 and 48/47 that contain M60 metric threads. Likewise, items 22, 38 and 48 that contain M60 metric threads cannot be used with items 16, 22A and 38A that contain 2-1/8-16UN threads.

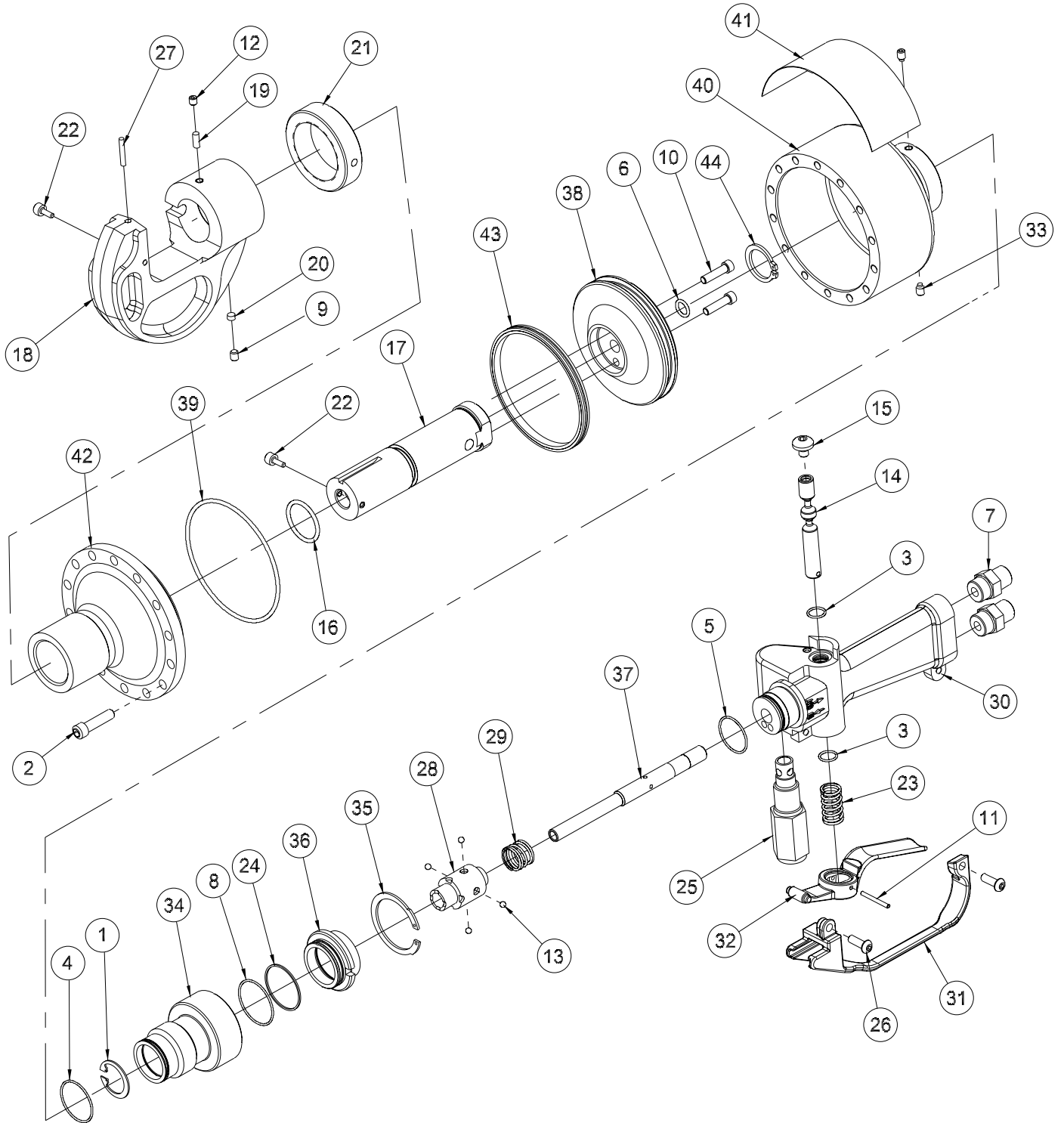
Item 48 is used with a jam nut (item 47) whereas item 38 does not use a jam nut. Item 38 and 48 can be identified by measuring the length of the threads (see figure below). The length of threads for item 38 is 1.100 inches. For item 48 the length is 1.750 inches.



To determine which model you have, measure the thread length and diameter on the cylinder head.

CT10016N		
Cyl Head P/N	Thread Length	Thread Diameter
67276 (item 38)	1.100	M60x1.5 (metric)
58482 (item-38A)	1.650	2-1/8 in.
68317 (item 48)	1.750	M60x1.5 (metric)

CT10056N PARTS ILLUSTRATION

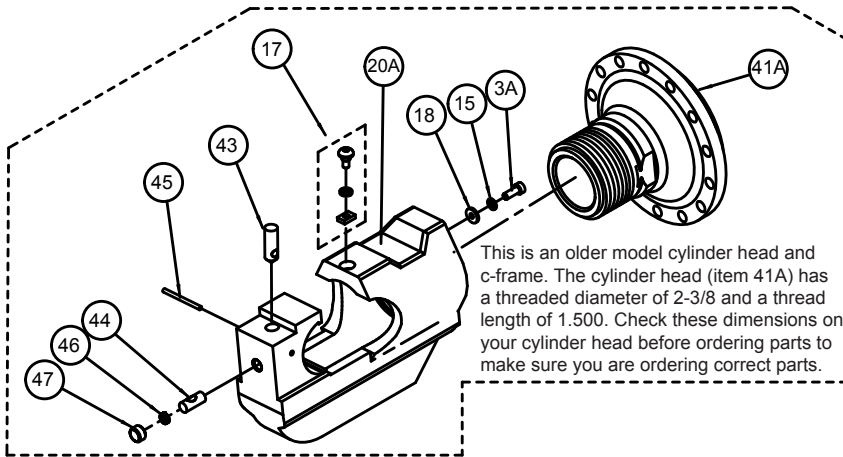


CT10056N PARTS LIST

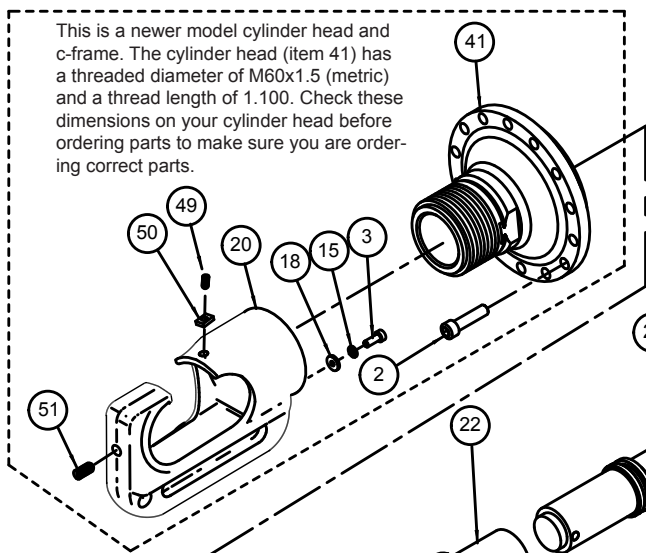
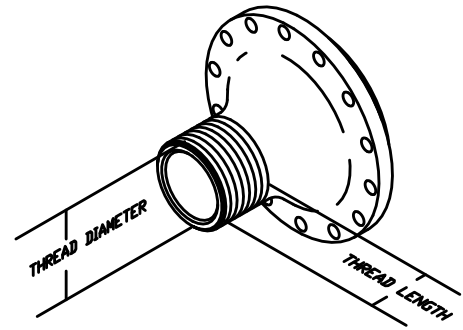
Item No.	Part No.	Qty	Description
1	00118	1	Retaining Ring
2	00144	14	HSHCS
3	07626	2	O-Ring
4	09330	1	O-Ring
5	00294	1	O-Ring
6	00360	1	O-Ring
7	00936	2	Adapter
8	01259	1	O-Ring
9	01397	1	Setscrew
10	01521	2	HSHCS
11	01534	1	Roll Pin
12	01607	1	Setscrew
13	01608	4	Steel Ball
14	01809	1	Valve Spool
15	01812	1	Valve Spool Screw
16	04795	1	O-Ring
17	08330	1	Push Rod
18	08334	1	C-Frame
19	08335	1	Pin - Kearney
20	08336	1	Plug - Kearney
21	09906	1	Jam Nut
22	12430	2	Capscrew
23	16556	1	Spring
24	18050	1	Back-Up Ring
25	21424	1	Relief Valve
26	22147	2	Capscrew
27	34133	1	Spring Plunger
28	38622	1	Valve Sleeve
29	39925	1	Compression Spring
30	39939	1	Valve Handle
31	51182	1	Trigger Guard
32	51183	1	Trigger
33	52534	2	Setscrew
34	58439	1	Adapter
35	58440	1	Retaining Ring
36	58441	1	Sleeve
37	58442	1	Oil Tube
38	58480	1	Piston
39	58485	1	O-Ring
40	58493	1	Cylinder

Item No.	Part No.	Qty	Description
41	58499	1	Sticker
42	58513	1	Cylinder Head
43	58583	1	T-Seal
44	58594	1	Retaining Ring
45	67259	1	Check Valve Assy*
	58551	1	SEAL KIT

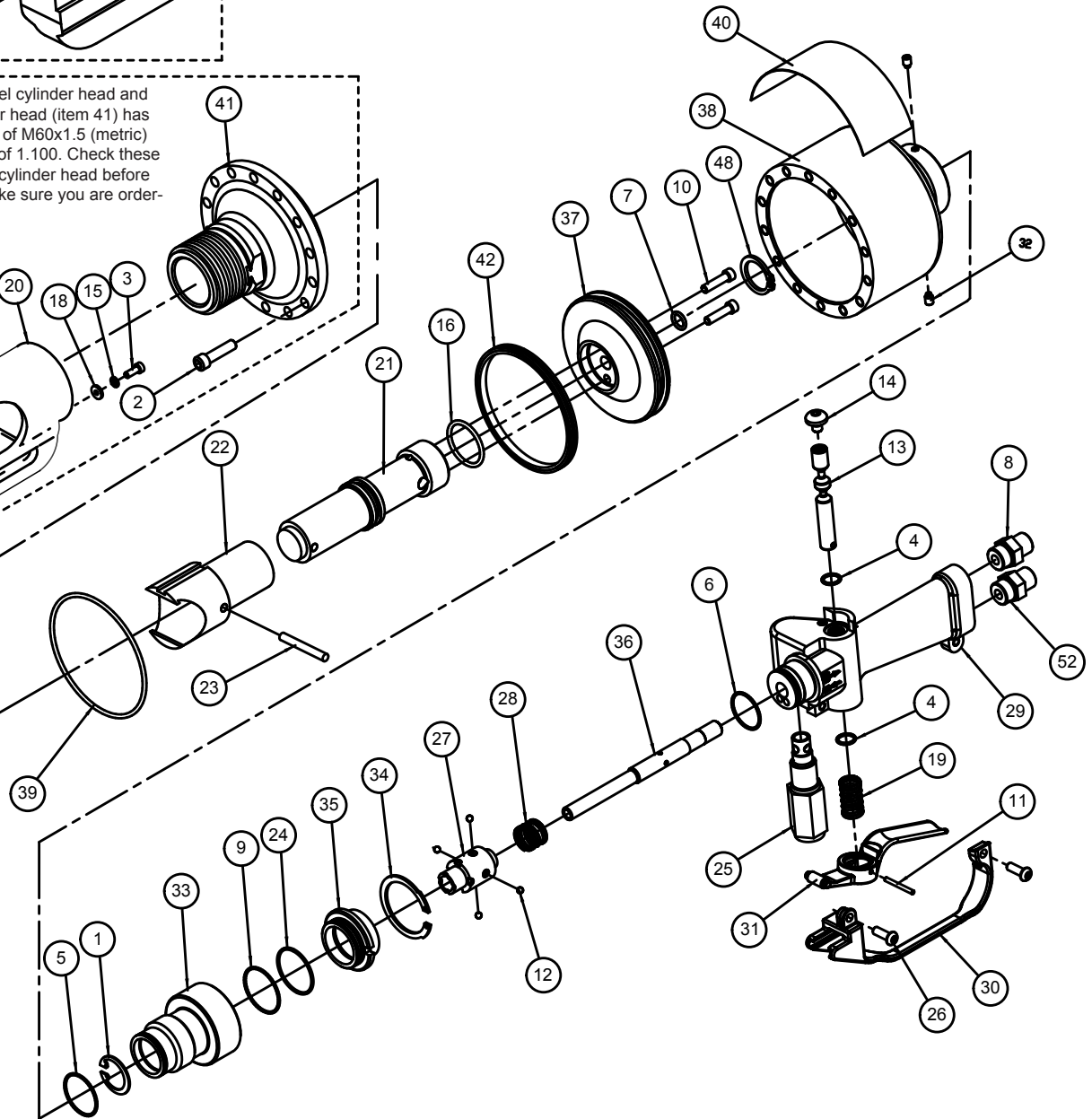
CT10066AN PARTS ILLUSTRATION



This is an older model cylinder head and c-frame. The cylinder head (item 41A) has a threaded diameter of 2-3/8 and a thread length of 1.500. Check these dimensions on your cylinder head before ordering parts to make sure you are ordering correct parts.



This is a newer model cylinder head and c-frame. The cylinder head (item 41) has a threaded diameter of M60x1.5 (metric) and a thread length of 1.100. Check these dimensions on your cylinder head before ordering parts to make sure you are ordering correct parts.



CT10066AN PARTS LIST

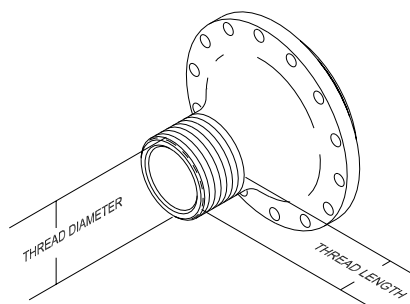
Item No.	Part No.	Qty	Description
1	00118	1	Retaining Ring
2	00144	14	SHCS
3	67281	1	Capscrew *
3A	00154	1	SHCS **
4	07626	2	O-Ring
5	09330	1	O-Ring
6	00294	1	O-Ring
7	00360	1	O-Ring
8	00936	2	Adapter
9	01259	1	O-Ring
10	01521	2	SHCS
11	01534	1	Roll Pin
12	01608	4	Steel Ball
13	01809	1	Valve Spool
14	01812	1	Valve Spool Screw
15	04420	1	Lockwasher †
16	06332	1	O-Ring
17	07438	1	Key & Capscrew Kit **
18	10123	1	Stopper †
19	16556	1	Spring
20	66591	1	C-Frame *
20A	17589	1	Retainer Die Yoke Assy. **
21	17678	1	Push Rod
22	17680	1	Modified Ram Assy.
23	17681	1	Spring Pin
24	18050	1	Back-Up Ring
25	21424	1	Relief Valve
26	22147	2	Capscrew
27	38622	1	Valve Sleeve
28	39925	1	Compression Spring
29	39939	1	Valve Handle
30	51182	1	Trigger Guard
31	51183	1	Trigger
32	52534	2	Setscrew
33	58439	1	Adapter
34	58440	1	Retaining Ring
35	58441	1	Sleeve
36	58442	1	Oil Tube

Item No.	Part No.	Qty	Description
37	58480	1	Piston
38	58481	1	Cylinder
39	58485	1	O-Ring
40	48499	1	Sticker
41	67276	1	Cylinder Head *
41A	58515	1	Cylinder Head **
42	58583	1	T-Seal
43	19504	1	Die Retainer Button **
44	19505	1	Die Retainer Pin **
45	19509	1	Grooved Pin Type B **
46	19510	1	Compression Coil Spring **
47	19511	1	Setscrew **
48	58594	1	Retaining Ring
49	67279	1	Setscrew *
50	67280	1	Guide Plate *
51	67277	1	Setscrew *
52	67259	1	Check Valve Assy *
	58551	1	SEAL KIT

Before ordering parts for the cylinder head or c-frame parts, contact a Stanley hydraulic tools customer service representative to ensure the correct parts are being ordered.

To determine which model you have, measure the thread length and diameter on the cylinder head.

CT10066AN		
Cyl Head P/N	Thread Length	Thread Diameter
67276 (item 41)	1.100	M60x1.5
58515 (item-41A)	1.500	2-3/8 in.





Stanely Hydraulic Tools
3810 SE Naef Road
Milwaukie, Oregon
503-659-5660 / Fax 503-652-1780
www.stanleyhydraulic.com

Free Manuals Download Website

<http://myh66.com>

<http://usermanuals.us>

<http://www.somanuals.com>

<http://www.4manuals.cc>

<http://www.manual-lib.com>

<http://www.404manual.com>

<http://www.luxmanual.com>

<http://aubethermostatmanual.com>

Golf course search by state

<http://golfingnear.com>

Email search by domain

<http://emailbydomain.com>

Auto manuals search

<http://auto.somanuals.com>

TV manuals search

<http://tv.somanuals.com>