



TJ10 HYDRAULIC TRACK JACK



SAFETY, OPERATION AND MAINTENANCE USER'S MANUAL



© 2011 Stanley Black & Decker, Inc.
New Britain, CT 06053
U.S.A.
34964 4/2013 Ver. 8

TABLE OF CONTENTS

Declaration of Conformity	3
Maintenance & Care	8 - 9
General	8
Cleaning	8
Hydraulic Fluid	8
Replacing Fluid When Necessary	8
Annual Hydraulic Fluid Change	8
Purging Air	9
Operation	10-11
Pre-Operation Instructions	10
Raising A Load	10
Lowering A Load	10
Horizontal Operation	10
Safety Precautions	5 - 6
Tool Stickers and Tags	7
Specifications	12
Troubleshooting	11
Pump Assy Illustration	14
Base Illustration & Parts List	13
Part List	15
Repair Kits	16
Warranty	See Below or Back Cover

IMPORTANT

To fill out a Product Warranty Recording form and for information on your warranty visit Stanleyhydraulic.com and select the Warranty tab.
(Note: the warranty recording form must be submitted to validate the warranty).

SERVICING: This manual contains safety, and operation instructions. Stanley Hydraulic Tools recommends that servicing of hydraulic tools, other than routine maintenance, must be performed by an authorized and certified dealer. Please read the following warning.

DANGER

SERIOUS INJURY OR DEATH COULD RESULT FROM THE IMPROPER REPAIR OR SERVICE OF THIS TOOL.

REPAIRS AND / OR SERVICE TO THIS TOOL MUST ONLY BE DONE BY AN AUTHORIZED AND CERTIFIED DEALER.

DECLARATION OF CONFORMITY

DECLARATION OF CONFORMITY
 ÜBEREINSTIMMUNGS-ERKLÄRUNG
 DECLARATION DE CONFORMITE CEE
 DECLARACION DE CONFORMIDAD
 DICHIARAZIONE DI CONFORMITA



I, the undersigned:
 Ich, der Unterzeichnende:
 Je soussigné:
 El abajo firmante:
 Io sottoscritto:

Weisbeck, Andy

Surname and First names/Familiennamen und Vornamen/Nom et prénom/Nombre y apellido/Cognome e nome

hereby declare that the equipment specified hereunder:
bestätige hiermit, daß erklaren Produkt genannten Werk oder Gerät:
déclare que l'équipement visé ci-dessous:
Por la presente declaro que el equipo se especifica a continuación:
Dichiaro che le apparecchiature specificate di seguito:

- Category: **Track Jack**
 Kategorie:
 Catégorie:
 Categoria:
 Categoría:
- Make/Marke/Marque/Marca/Marca **Stanley**
- Type/Typ/Type/Tipo/Tipo: **TJ10111M, TJ10111MF, TJ10112M**
- Serial number of equipment:
 Seriennummer des Geräts:
 Numéro de série de l'équipement:
 Numero de serie del equipo:
 Matricola dell'attrezzatura:

All

Has been manufactured in conformity with
Wurde hergestellt in Übereinstimmung mit
Est fabriqué conformément
Ha sido fabricado de acuerdo con
E' stata costruita in conformità con

Directive/Standards Richtlinie/Standards Directives/Normes Directriz/Los Normas Direttiva/Norme	No. Nr Numéro No n.	Approved body Prüfung durch Organisme agréé Aprobado Collaudato
Machinery Directive	2006/42/EC:2006	Self
EN	12100-1:2009	Self
EN	12100-2:2009	Self
EN	1492:2000+A1:2008	Self
ASTM	B30.1-2009	Self

- Special Provisions: **None**
 Spezielle Bestimmungen:
 Dispositions particulières:
 Provisiones especiales:
 Disposizioni speciali:
- Representative in the Union: **Patrick Vervier, Stanley Dubuis 17-19, rue Jules Berthonneau-BP 3406 41034 Blois Cedex, France.**
 Vertreter in der Union/Représentant dans l'union/Representante en la Union/Rappresentante presso l'Unione

Done at/Ort/Fait à/Dado en/Fatto a Stanley Hydraulic Tools, Milwaukie, Oregon USA Date/Datum/le/Fecha/Data 3-22-11

Signature/Unterschrift/Signature/Firma/Firma

Andy Weisbeck

Position/Position/Fonction/Cargo/Posizione Engineering Manager



SAFETY SYMBOLS

Safety symbols and signal words, as shown below, are used to emphasize all operator, maintenance and repair actions which, if not strictly followed, could result in a life-threatening situation, bodily injury or damage to equipment.



This is the safety alert symbol. It is used to alert you to potential personal injury hazards. Obey all safety messages that follow this symbol to avoid possible injury or death.



This safety alert and signal word indicate an imminently hazardous situation which, if not avoided, will result in death or serious injury.



This safety alert and signal word indicate a potentially hazardous situation which, if not avoided, could result in death or serious injury.



This safety alert and signal word indicate a potentially hazardous situation which, if not avoided, may result in minor or moderate injury.



This signal word indicates a potentially hazardous situation which, if not avoided, may result in property damage or damage to the equipment.



This signal word indicates a situation which, if not avoided, may result in damage to the equipment.

Always observe safety symbols. They are included for your safety and for the protection of the tool.

LOCAL SAFETY REGULATIONS

Enter any local safety regulations here. Keep these instructions in an area accessible to the operator and maintenance personnel.

Tool operators and maintenance personnel must always comply with the safety precautions given in this manual and on the stickers and tags attached to the tool and hose.

These safety precautions are given for your safety. Review them carefully before operating the tool and before performing general maintenance or repairs.

Supervising personnel should develop additional precautions relating to the specific work area and local safety regulations. If so, place the added precautions in the space provided.



GENERAL SAFETY PRECAUTIONS

- The user must be familiar with correct operation, maintenance, and use of the jack. Lack of knowledge can lead to personal injury.
- Operator must start in a work area without bystanders. The operator must be familiar with all prohibited work areas such as excessive slopes and dangerous terrain conditions..
- Always wear safety equipment such as goggles, gloves, head, and safety shoes at all times when operating the tool.
- **Warning:** Hydraulic fluid under pressure could cause skin injection injury. If you are injured by hydraulic fluid, get medical attention immediately.
- The total load lifted or supported by the jack must never exceed the rated capacity. Excess pressure can result in personal injury. Use a jack with sufficient capacity to lift a load. Keep clear of lifted loads.
- Inspect each jack before each usage or shift to prevent unsafe conditions from developing.
- Properly support the jack.
- Do not put poorly balanced or off-center loads on the jack pad or jack. The load can tip and cause personal injury. Do not use in unstable or hazardous positions.
- The jack must be used on flat surfaces to be able to carry the load correctly. The base must be completely supported. Do not push or lift on the ends of the base.
- Do not lift people, or loads with people on them.
- As the load is lifted, use blocks or cribs to guard against a falling load.
- To help prevent personal injury, do not allow personnel to go under, or work on, a load before it is properly cribbed or blocked. All personnel must be clear of a load before lowering or lifting.
- Lift only dead weight loads. Do not add additional weight to a lifted load.
- Do not use jacks that are damaged, altered or in poor condition.
- The reservoir must have sufficient hydraulic fluid to fully stroke the jack. Use only approved hydraulic fluids.
- Read and understand the operating instructions in this manual, and the ASME B30.1 and EN 1494 safety code for jacks.
- Users must ensure that all safety related decals and stickers are whole and readable. Replace those which become unreadable.

SAFETY PRECAUTIONS

GENERAL SAFETY PRECAUTIONS CONTINUED:

- Never use extreme heat to disassemble a hydraulic ram or cylinder. Metal fatigue can lead to unsafe conditions.
- Be aware of possible "pinch points" of the jack, and stay clear to avoid personal injury.
- When lifting with the edge of the lifting toe, place a wedge between the load and the top of the lifting toe to avoid bending the cylinder column.
- Carry the jack only by the carrying handle. Make sure the jack is in the fully lowered position.
- End users must be trained in the proper use of the jack..
- Remove operating levers when not in use to avoid accidental dislocation of the jack, and reduce the tripping hazard.
- Make sure all personnel are clear of the load before lifting or lowering.
- DO NOT use extenders unless authorized by a qualified person.
- Never use this tool when working around electrified rail unless it is de-energized or you have been properly trained to work on electrified rail. If you are not sure the rail is live or not, you must treat it as being live and dangerous to life.

TOOL STICKERS AND TAGS



WARNING DECAL - P/N 28788

(Shown smaller than actual size)

Indicates that users should read the manual before using the product.

STANLEY RAILROAD HELP DESK

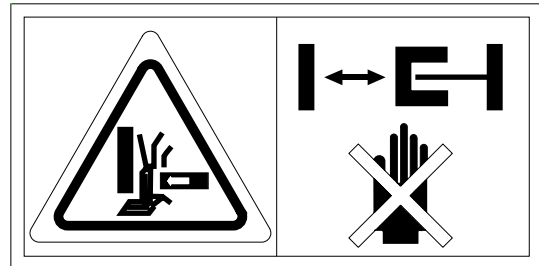
1-800-549-0517

FOR CUSTOMER SERVICE OR
TECHNICAL QUESTIONS

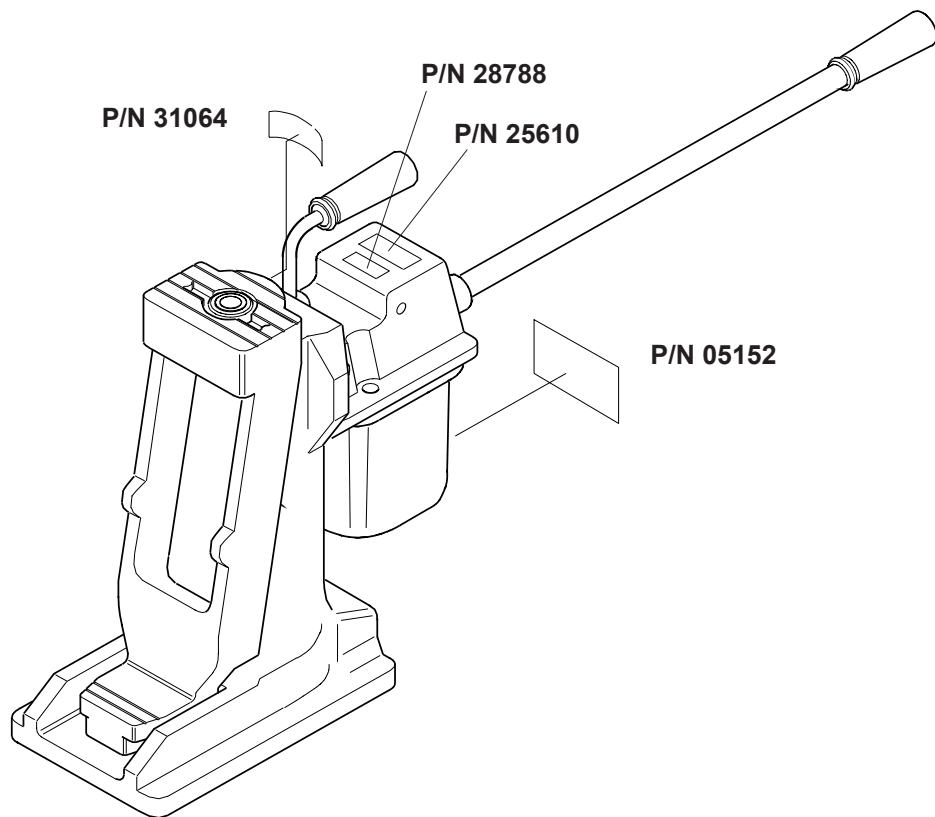
RAILROAD HELP DESK - P/N 25610

The following information is found on the base of the Track Jack.

- Model Number
- Capacity
- Maximum Pressure
- Date



CRUSH HAZARD - P/N 31064



STICKER LOCATIONS

MAINTENANCE & CARE

GENERAL PROTECTION

Store the Track Jack in an upright position, in a place where it is protected from the elements, abrasive dust, and damage.

Use only recommended repair and replacement parts and materials specified in the Parts List section of this manual.

Do not use the jack for applications it was not designed for.

Use the carrying handle to transport the Track Jack from location to location. **Do not** carry the Track Jack by inserting the jack handle in the socket.

CLEANING

Establish a routine to keep the jack as free from dirt as possible – daily, or at each shift change, for example.

Jacks exposed to rain, sand, or grit-laden air should be cleaned prior to each use.

Exposed screw threads should be cleaned and re-lubricated as necessary.

Keep the cylinder clean at all times. Keep the piston retracted when not in use.

Operating lever and load-bearing surfaces should be free of slippery material or fluids.

Keep tool labels and stickers legible.

HYDRAULIC FLUID

The Track Jack holds approximately 28 ounces/820 cc cubic inches of hydraulic fluid in its reservoir.

DANGER

DO NOT USE BRAKE FLUID OR OTHER NON-APPROVED SUBSTITUTE FLUIDS. LIGHTER WEIGHT FLUIDS MAY CAUSE THE JACK TO FAIL UNDER LOAD.

ADDING FLUID WHEN NEEDED

A jack that is low on hydraulic fluid can lift a full load, but not to the full lift height. As the reservoir begins to run dry, the lever socket becomes very easy to pump, and the jack stops lifting. To add oil:

1. Fully retract the plunger.
2. Remove the fill plug.
3. Fill the reservoir with new, clean fluid (use ISO#15 Hydraulic Fluid) to a level 1/8 inch below the bottom of the fill plug hole.

WARNING

Do not overfill or underfill the reservoir as this may damage the jack.

ANNUAL FLUID CHANGE

Regardless of usage, the Track Jack hydraulic fluid should be changed annually to ensure proper operation of the jack. To drain the fluid:

1. Thoroughly clean the area around the fill plug.
2. Remove the fill plug and lay the Track Jack on its back to allow the fluid to drain from the fill hole into an appropriate receptacle.
3. Dispose of the used hydraulic fluid in accordance with Environmental Protection Agency regulations.
4. Make sure dirt or other contaminants do not enter the reservoir while the fill plug is removed. When drained, check the fluid for contaminants. If the fluid appears gritty or dirty, flush the reservoir with clean hydraulic fluid before refilling.
5. Refill the reservoir with the recommended hydraulic fluid. Stand the jack upright, and with the piston fully retracted, fill the reservoir until the fluid level is 1/8 inch below the bottom of the fill plug.
6. Before returning the jack to service, fully extend the piston without a load by pumping the pump handle without the long extension handle. If the fluid level is correct, the pump handle will become almost impossible to pump by hand as the piston reaches full extension. Replace the plug.

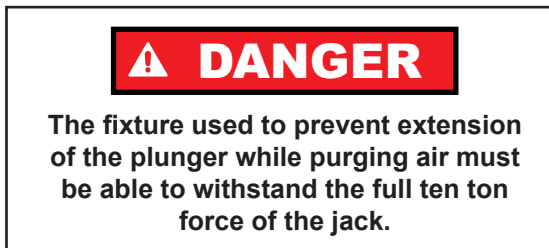
7. It may be necessary to bleed air out of the cylinder. See instructions below for purging air.
8. Inspect the jack for leaks, cracks, or other damage.



PURGING AIR

Air trapped within the jack hydraulic system can be removed by performing the following steps.

1. Make sure the plunger is fully retracted.
2. Pry out the cap on top of the unit.
3. Loosen (**Do Not Remove**) the capscrew under the cap located in the top of the plunger.
4. Place the jack in a suitable fixture to prevent the extension of the plunger while purging air.



5. Add hydraulic fluid to the reservoir if necessary. See instructions above for adding fluid.
6. Pump the handle until oil comes up through the thread area of the capscrew in the plunger.
7. Tighten the socket head capscrew to 10-12 ft. lbs./14-16 Nm.
8. Top off the reservoir with hydraulic fluid. NOTE: Make sure the plunger is fully retracted before filling the reservoir.

OPERATING INSTRUCTIONS

⚠ DANGER

MAKE SURE THAT ALL PERSONNEL ARE CLEAR OF THE LOAD BEFORE ATTEMPTING TO RAISE OR LOWER THE JACK. SERIOUS INJURY OR DEATH COULD RESULT FROM THE IMPROPER USE OF THIS TOOL.

PREOPERATION PROCEDURES

Before putting a new Track Jack into initial service, or after an extended period of being unused, perform a visual inspection for bent, broken, cracked, missing or worn components. Ensure the hydraulic fluid and lubricant level is correct. Fully extend and retract the jack without a load to ensure that the jack is primed and operating properly.

RAISING A LOAD

1. Before using the Track Jack, make sure that it is set on a firm surface capable of bearing the intended load.
2. Make sure the release valve is closed, by turning it clockwise until it is hand tight.

⚠ DANGER

Overtightening the release valve can damage the valve seat. DO NOT use pliers or wrenches to tighten the release valve.

3. Pump the handle by hand until the toe lift or head lift plate rises to and engages the load.

⚠ DANGER

Make certain that the lifting toe is fully engaged on the load, and the entire jack is stable, before proceeding further.

4. Insert the jack handle fully into the handle socket and pump until the desired lift has been obtained.

⚠ WARNING

Use only the recommended length jack handle. DO NOT use longer handles or extenders.

5. Remove the jack handle from the handle socket once the load reaches its desired height.
6. Crib or block the load to prevent accidentally dropping the load.

LOWERING A LOAD

1. Make sure all personnel are clear of the load.
2. Remove cribbing or blocking if used.
3. Open the release valve by turning it counterclockwise (open slowly).

⚠ DANGER

Lowering speed is controlled by opening the release valve more or less. DO NOT open the valve more than two full turns.

4. When the load reaches the desired level, close the release valve by turning it clockwise until it is hand tight.

HORIZONTAL OPERATION

The Track Jack can also be used horizontally to separate two items, as long as it is placed with the handle socket facing upwards.

1. Place the Track Jack base against the largest, heaviest, or otherwise least moveable of the two items.
2. Close the release valve by turning it clockwise until hand tight.
3. Pump the handle socket by hand until the lifting toe or the head of the lifting toe firmly engages the more moveable of the two items.

4. Make sure personnel are clear of all items being jacked before attempting to move anything.
5. Insert the jack handle into the handle socket and pump until the desired separation has been obtained.
6. Remove the jack handle from the socket once the moveable load reaches its desired separation.
7. To free the jack, open the release valve by turning it counterclockwise. When the lift plate is clear, close the release valve.


WARNING

NEVER LIFT OR LOWER A LOAD HEAVIER THAN THE LOAD RATING OF THE JACK. DAMAGE TO THE JACK OR LOAD COULD RESULT FROM IMPROPER USE OF THIS TOOL.

PUMPING HANDLE

A pumping handle is included with the Track Jack is designed with a 4:1 safety factor. DO NOT use the pumping handle for any other purpose. DO NOT substitute other material for use as a pumping handle.

TROUBLESHOOTING

If symptoms of poor performance develop, the following chart can be used as a guide to correct the problem.

Because the Track Jack can be used for many different applications, this information is general in nature and does not address specific uses.

PROBLEM	CAUSE	CORRECTION
Jack will not raise	A) Release valve not closed	Close the valve
	B) Release valve ball not seating properly	Have jack serviced by a qualified technician
	C) Seal failure	Have jack serviced by a qualified technician
Jack raises but will not hold	Release valve ball not seating properly	Have jack serviced by a qualified technician
	Relief valve set too low or Malfunctioning	
	Seal failure	Have jack serviced by a qualified technician
Jack only raises part way	Hydraulic fluid level is low	Add hydraulic fluid
Jack leaks hydraulic fluid	Seal failure	Have jack serviced by a qualified technician
Jack retracts slowly	Air in the hydraulic system	Purge air from the hydraulic system
Jack raises, but pulses and hesitates	Air in the hydraulic system	Purge air from the hydraulic system

SPECIFICATIONS

Performance

Maximum Lift	8.9 in. /226 mm
Maximum Load	10 tons/9070 kg
Pump Displacement	46 cu. in./7.5 cc stroke, single speed
Advance rate per stroke	14 in./3.6 mm
Pressure at rated load	7300 psi/500 bar Model TJ10, (7150 psi/493 bar Model TJ10M)
Maximum pump handle effort	80 lbs./355 N

Dimensions and Weight

Baseplate Size.....	6 x 11 in./15 x 28 cm
Lift Toe Width and Depth	2-1/2 x 3/63 x 76 mm
Height (retracted)	14.5 in./37 cm Model TJ10, (14.75 in./37.5 cm Model TJ10M)
extended	23.4 in./59 cm Model TJ10, (23.56 in./60 cm Model TJ10M)
Net Weight (less oil)	43 lb/20 kg Model TJ10, (44 lb/20 kg Model TJ10M)
Lever Bar Length	36 in./ 80 cm

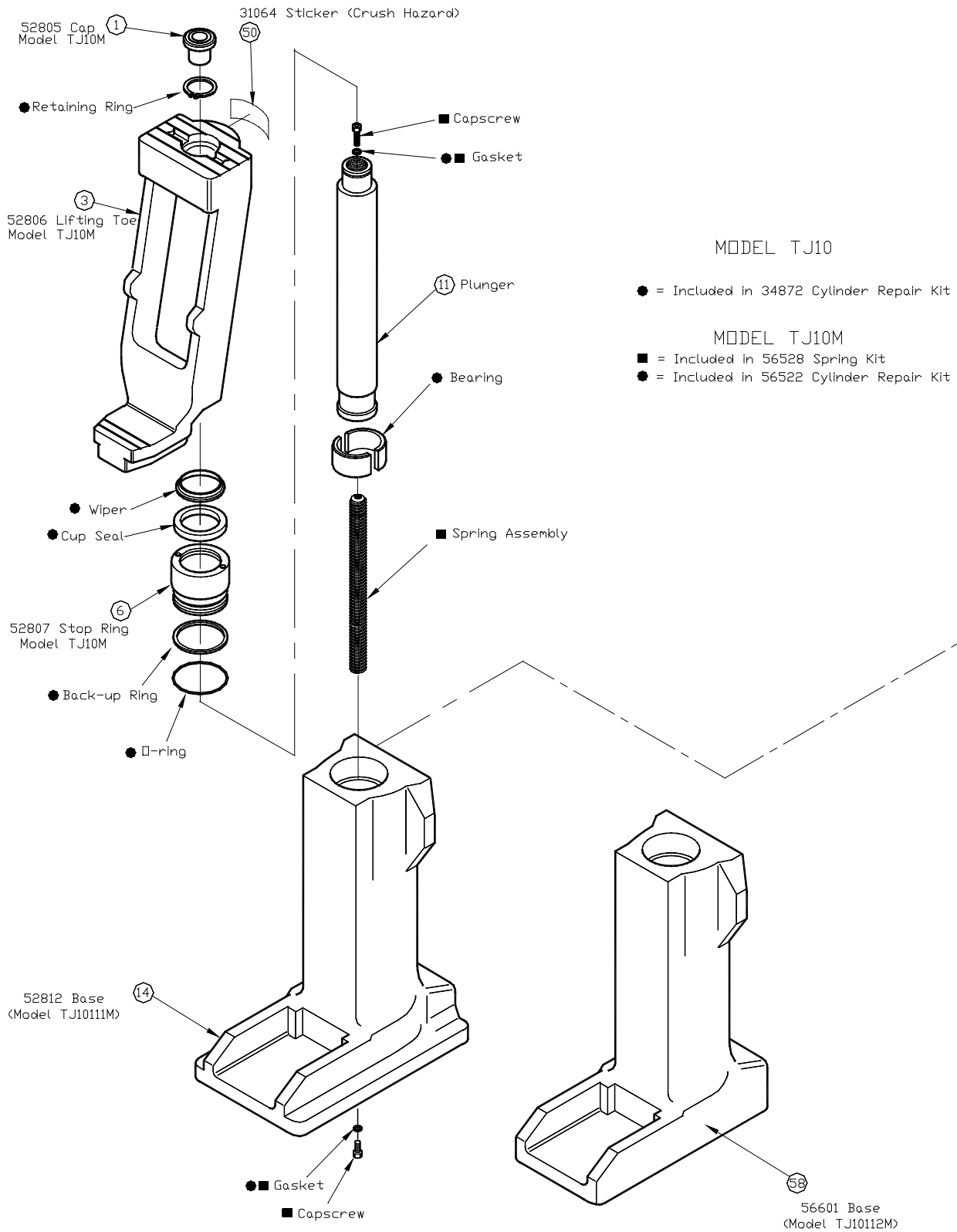
Hydraulic Requirements

Reservoir Capacity	28 oz/820 cc
Recommended Fluid	ISO #7 Hydraulic Fluid.

Standards ASME B30.1, EN 1494

NOTE: Weights, dimensions and operating specifications listed on this sheet are subject to change without notice. Where specifications are critical to your application, please consult the factory.

BASE ILLUSTRATION



TJ10

*TJ10M

ITEM	P/N	QTY	DESCRIPTION
1	52805	1	Cap
16	65924	1	Pumping Handle
28	01219	2	Pipe Plug
29	10888	4	Capscrew
40	34849	1	Relief Valve Assy
46	56629	1	Manifold
49	00769	4	Capscrew
50	31064	1	Sticker, Crush Hazard
52	05152	1	Sticker, Stanley Log
56	28788	1	Sticker, Manual Composite
57	25610	1	Sticker, Help Desk
59	34852	1	Piston

ITEM	P/N	QTY	DESCRIPTION
1	52805	1	Cap
3	52806	1	Lifting Toe
6	52807	1	Stop Ring
11	52809	1	Plunger
14	52812	1	Base, (Model TJ10111M)
16	52813	1	Pumping Handle
28	01219	2	Pipe Plug
29	56518	4	Capscrew
38	52824	1	Seat Assy
40	52827	1	Relief Valve Assy
46	52830	1	Manifold
49	56521	4	Capscrew
50	31064	1	Sticker, Crush Hazard
52	05152	1	Sticker, Stanley Logo
56	28788	1	Sticker, Manual Composite
57	25610	1	Sticker, Help Desk
58	56601	1	Base (Narrow), (Model TJ10112M)
59	52819	1	Piston

NOTE: When ordering parts make sure to check the (Model Number) on your track jack to distinguish between a TJ10 and TJ10M*.

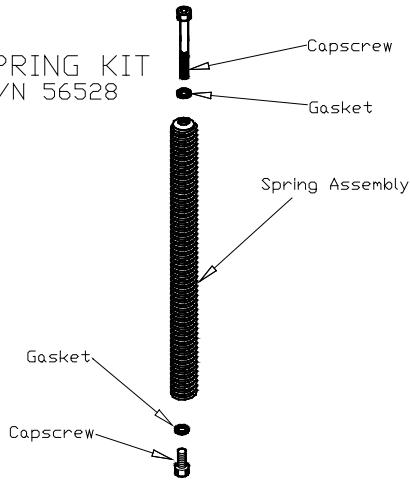
KITS FOR MODEL TJ10111 & TJ10112 ONLY	
P/N	DESCRIPTION
56629	Manifold Assy
34872	Cylinder Repair Kit
34858	Carry Handle Repair Kit
34851	Reservoir Repair Kit
34853	Beam & Piston Repair Kit
34848	Pump Repair Kit
34845	Release Valve Repair Kit

*KITS FOR MODEL TJ10111M & TJ10112M ONLY	
P/N	DESCRIPTION
56629	Manifold Assy
56528	Spring Kit
56522	Cylinder Repair Kit
56523	Carry Handle Repair Kit
56524	Reservoir Repair Kit
56525	Beam & Piston Repair Kit
56526	Pump Repair Kit
56527	Release Valve Repair Kit

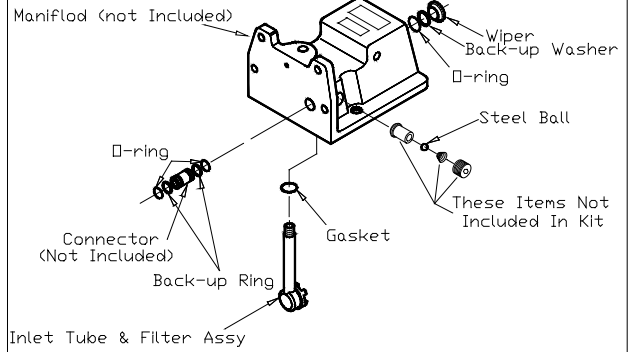
* "M" Models Begin With S/N 5000.

REPAIR KITS

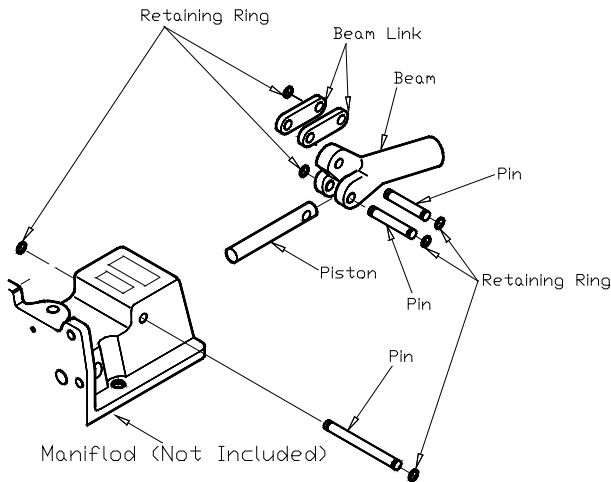
SPRING KIT P/N 56528



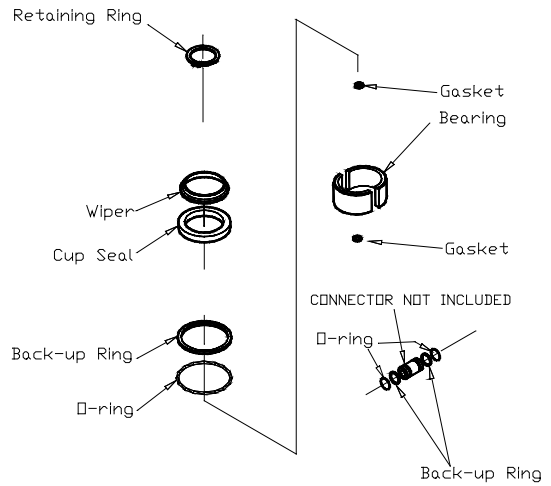
PUMP REPAIR KIT (Manifold Not Included) P/N 56526



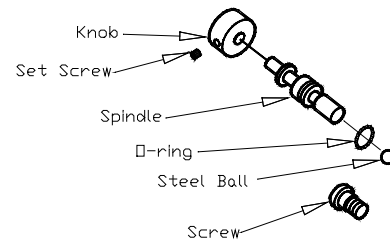
BEAM & PISTON REPAIR KIT P/N 56525 (Manifold not Included)



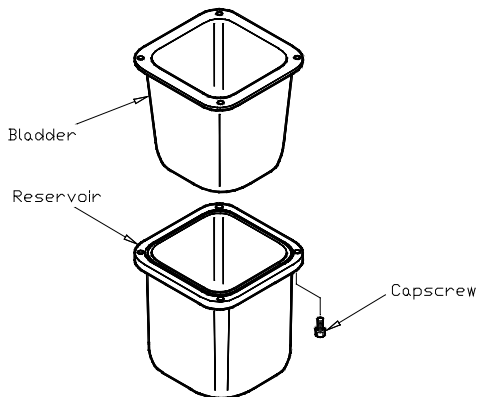
CYLINDER REPAIR KIT P/N 56522



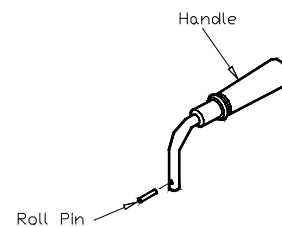
RELEASE VALVE REPAIR KIT P/N 56527



RESERVOIR REPAIR KIT P/N 56524



CARRY HANDLE REPAIR KIT P/N 56523





Stanley Hydraulic Tools
3810 SE Naef Road
Milwaukie, OR 97267-5698 USA
Phone: (503) 659-5660
Fax: (503) 652-1780
www.stanleyhydraulic.com

Copyright© 2009 The Stanley Works

IMPORTANT

To fill out a Product Warranty Recording form and for information on your warranty visit Stanleyhydraulic.com and select the Warranty tab.
(Note: the warranty recording form must be submitted to validate the warranty).

Free Manuals Download Website

<http://myh66.com>

<http://usermanuals.us>

<http://www.somanuals.com>

<http://www.4manuals.cc>

<http://www.manual-lib.com>

<http://www.404manual.com>

<http://www.luxmanual.com>

<http://aubethermostatmanual.com>

Golf course search by state

<http://golfingnear.com>

Email search by domain

<http://emailbydomain.com>

Auto manuals search

<http://auto.somanuals.com>

TV manuals search

<http://tv.somanuals.com>