



**ULTRA-MAX® EQUIPMENT STANDS**  
**Models ES-UM24S, ES-UM24SF, ES-UM24SFC,**  
**ES-UM36S, ES-UM36SF, ES-UM36SFC, ES-UM48S, ES-UM48SF,**  
**ES-UM48SFC, ES-UM60S, ES-UM60SF, ES-UM60SFC,**  
**ES-UM72S, ES-UM72SF & ES-UM72SFC**

**Features/Benefits:**

- ★ Use equipment stands for Ultra-Max char-broilers, griddles and hot plates.
- ★ Three different designs:
  - Pre-Cut Floor Models** - Pre-cut 19" Height for use with caster kit (model SMCASST) casters - stand connects to equipment
  - Floor Model Stands** - Stationary stand with bullet feet connects directly to equipment
  - Equipment Stands (w/ Optional Casters)** - Stand alone, choose between stationary models or stands with optional casters
- ★ Stainless steel stands available in 24", 36", 48", 60" and 72" widths.
- ★ Equipment stands have stainless steel top shelves and are equipped with a 1" lip to prevent equipment from sliding off sides and back.
- ★ Floor models have bullet feet with one inch adjustment.
- ★ Optional four piece caster set (model SMCASST) available for all stands.

**Applications:**

Heavy-duty equipment stands provide years of trouble free service and accurate cooking height for all Ultra-Max equipment.

**Quality Construction:**

Stands are constructed of heavy gauge stainless steel. Legs are 1-5/8" (4.1cm) diameter stainless steel pipe that add strength and durability.

**Warranty:**

Equipment stands are covered by Star's one year parts and labor warranty.



**Models ES-UM36SFC**  
**Pre-Cut Floor Models with optional casters**



**Models ES-UM36SF**  
**Floor Model**



**Models ES-UM36S with optional casters**



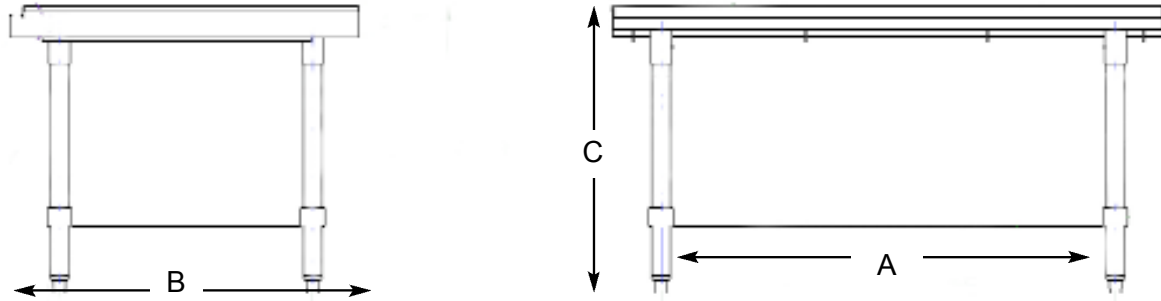


Star Manufacturing International, Inc.

Ultra-Max® Equipment Stands

## ULTRA-MAX® EQUIPMENT STANDS

Models *ES-UM24S, ES-UM24SF, ES-UM24SFC, ES-UM36S, ES-UM36SF, ES-UM36SFC, ES-UM48S, ES-UM48SF, ES-UM48SFC, ES-UM60S, ES-UM60SF, ES-UM60SFC, ES-UM72S, ES-UM72SF & ES-UM72SFC*



### Specifications

Model No.	Description	(A) Width Inches (cm)	(B) Depth Inches (cm)	(C) Height Inches (cm)	Shipping Weight lbs. (kg)
<b>Pre-Cut Floor Stands For Use With Casters</b>					
ES-UM24SFC	24" Stainless Steel Floor Model	24 (61.0)	30 (76.2)	19 (48.26)	51 (23.2)
ES-UM36SFC	36" Stainless Steel Floor Model	36 (91.4)	30 (76.2)	19 (48.26)	68 (30.9)
ES-UM48SFC	48" Stainless Steel Floor Model	48 (121.9)	30 (76.2)	19 (48.26)	88 (39.9)
ES-UM60SFC	60" Stainless Steel Floor Model	60 (152.4)	30 (76.2)	19 (48.26)	105 (47.7)
ES-UM72SFC	72" Stainless Steel Floor Model	72 (182.8)	30 (76.2)	19 (48.26)	122 (55.4)
<b>Floor Model Stands with Bullet Style Feet</b>					
ES-UM24SF	24" Stainless Steel Floor Model	24 (61.0)	30 (76.2)	24 (61)	25 (11.3)
ES-UM36SF	36" Stainless Steel Floor Model	36 (91.4)	30 (76.2)	24 (61)	36 (16.3)
ES-UM48SF	48" Stainless Steel Floor Model	48 (121.9)	30 (76.2)	24 (61)	42 (19.1)
ES-UM60SF	60" Stainless Steel Floor Model	60 (152.4)	30 (76.2)	24 (61)	49 (22.2)
ES-UM72SF	72" Stainless Steel Floor Model	72 (182.8)	30 (76.2)	24 (61)	56 (25.4)
<b>Equipment Stands (Casters Optional)</b>					
ES-UM24S	24" All Stainless Steel	24 (61.0)	30 (76.2)	24 (61.0)	51 (23.2)
ES-UM36S	36" All Stainless Steel	36 (91.4)	30 (76.2)	24 (61.0)	68 (31.0)
ES-UM48S	48" All Stainless Steel	48 (121.9)	30 (76.2)	24 (61.0)	88 (40.0)
ES-UM60S	60" All Stainless Steel	60 (152.4)	30 (76.2)	24 (61.0)	105 (47.7)
ES-UM72S	72" All Stainless Steel	72 (182.8)	30 (76.2)	24 (61.0)	122 (55.4)
SM-CAST	Caster Kit (4 in a set) (Casters will add 6" to height of stand).				

### Typical Specifications

Equipment stands are constructed of heavy duty stainless steel with 1-5/8" (4.1 cm) diameter stainless steel pipe legs for added strength and durability. Bullet feet with an adjustment of 1" (2.5 cm) are standard on stationary stands. The lower shelf on the stand is stainless steel, the top shelf has raised lip to prevent units from sliding off rear or side of stand. Equipment stands are listed by National Sanitation Foundation. Printed in the U.S.A.

Due to periodic changes in designs, methods, procedures, policies and regulations, the specifications contained in this sheet are subject to change without notice. While Star Manufacturing exercises good faith efforts to provide information that is accurate, we are not responsible for errors or omissions in information provided or conclusions reached as a result of using the specifications. By using the information provided, the user assumes all risks in connection with such use.

Star Manufacturing International Inc. - 10 Sunnen Drive - P.O. Box 430129 - St. Louis, MO 63143-3800

Phone: (800) 264-7827 - FAX: (800) 264-6666 - [www.star-mfg.com](http://www.star-mfg.com)

## Free Manuals Download Website

<http://myh66.com>

<http://usermanuals.us>

<http://www.somanuals.com>

<http://www.4manuals.cc>

<http://www.manual-lib.com>

<http://www.404manual.com>

<http://www.luxmanual.com>

<http://aubethermostatmanual.com>

Golf course search by state

<http://golfingnear.com>

Email search by domain

<http://emailbydomain.com>

Auto manuals search

<http://auto.somanuals.com>

TV manuals search

<http://tv.somanuals.com>