

**Universal PVS Kit  
Star Trac Fitness™  
E-TR, E-TBT, E-RB, and E-UB  
S-TR, S-TBT, S-RB, and S-UB**

---

**INSTALLATION MANUAL**



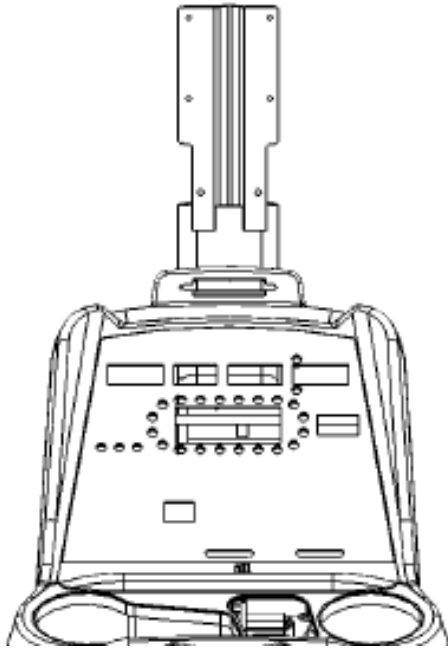
# TABLE OF CONTENTS

<i>Introduction</i> .....	4
<i>Before You Get Started</i> .....	5
<i>Warning and Caution</i> .....	6
<i>Install Your TV Bracket on the E-UB, E-RB, and E-TBT</i> .....	7
<i>Install Your TV Bracket on the E-TR</i> .....	10
<i>Install Your TV Bracket on the S-UB, S-RB, and S-TBT</i> .....	12
<i>Install Your TV Bracket on the S-TR</i> .....	13
<i>Install Your TV onto Bracket</i> .....	14

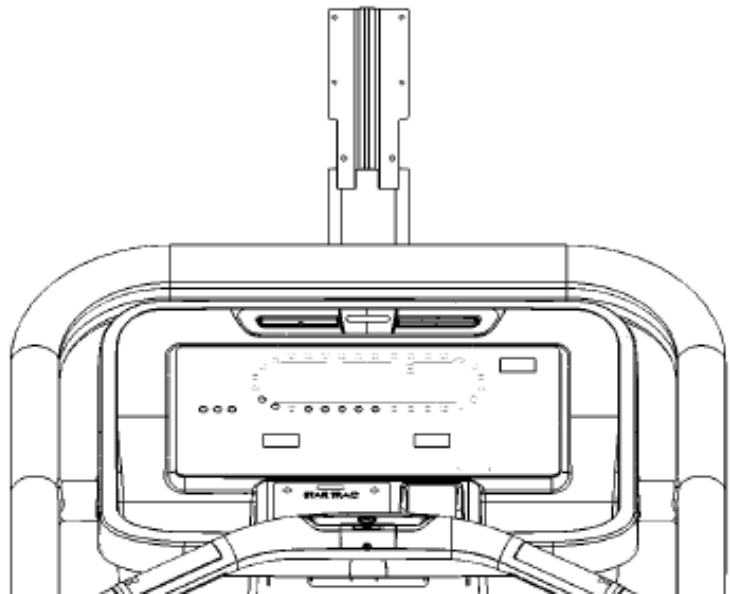
Copyright 2008. Star Trac by Unisen, Inc. All rights reserved, including those to reproduce this book or parts thereof in any form without first obtaining written permission from Star Trac.

Every effort has been made to keep this information current; however, periodically, changes are made to the information herein, and these changes will be incorporated into new editions of this publication. All product names and logos are trademarks of their respective owners. Printed in the USA.

*STAR TRAC UNIVERSAL TV BRACKET INSTALLATION*



**E & S TBT, RB, and UB**



**E & S TR**

# INTRODUCTION

## *ABOUT THIS MANUAL*

This manual is applicable to the *STAR TRAC E-Series & S-Series Products*. The manual is divided into eight sections, as follows:

### **Introduction**

Provides an overview of each section within the manual.

### **Before You Get Started**

Provides guidelines to help you have a successful installation.

### **Warnings and Cautions**

Helpful safety tips to keep you out of harms way.

### **Installing Your STAR TRAC Universal TV Bracket**

Provides a step-by-step instruction set for installing your TV bracket on the E-series and S-series products

# BEFORE YOU GET STARTED

## *CHECK FACILITIES PREPAREDNESS*

For a proper installation, please read this guide thoroughly and follow the instructions. Star Trac's goal is to help you have a successful and reliable installation, for this reason we have come up with some helpful tips and check list to accomplish this goal.

# WARNINGS AND CAUTIONS

## **CAUTION:**

Disconnect power before doing any installation.

## **Required Tool for Installation Supplied:**

- 5MM Hex Allen Key
- 3MM Hex Allen Key
- #2 Phillips Screwdriver
- Flat Screwdriver

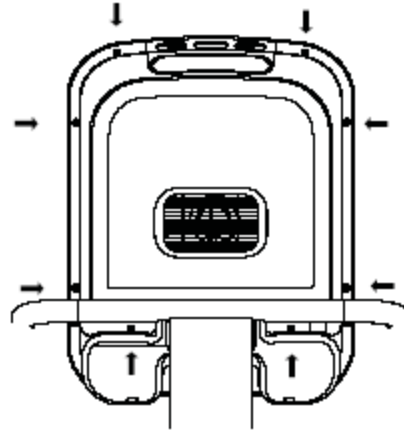
# INSTALLING YOUR UNIVERSAL TV BRACKET KIT

The Star Trac Universal PVS Kit is different for each of your Star Trac E or S Series Cardio products. Make sure you have the proper kit for the E or S Series product you are installing. The E- & S-UB, E- & S-RB, E- & S-TBT, and E- & S-ST will follow the same basic steps for installation.

**To install the TV neck on the E-UB, E-RB, and E-TBT, and follow these steps:**

## STEP 1

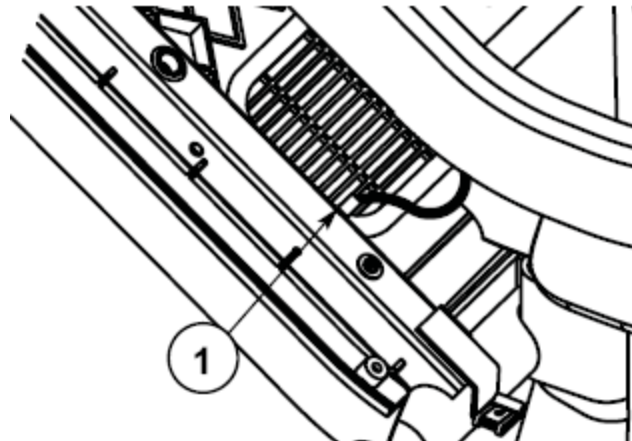
Using a #2 Phillips screwdriver, to remove the (8) screws on the back of the display plastic. Set the screws aside, you will need them for reassembly.



## STEP 2

After the screws have been removed, carefully open the display plastic, so as to not detach the inner cables from the display.

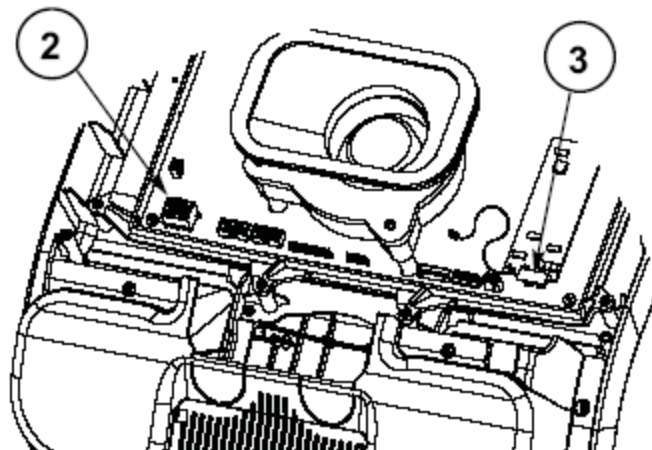
Disconnect the ground wire (1) between the Heart Rate board and the display mount.



## STEP 3

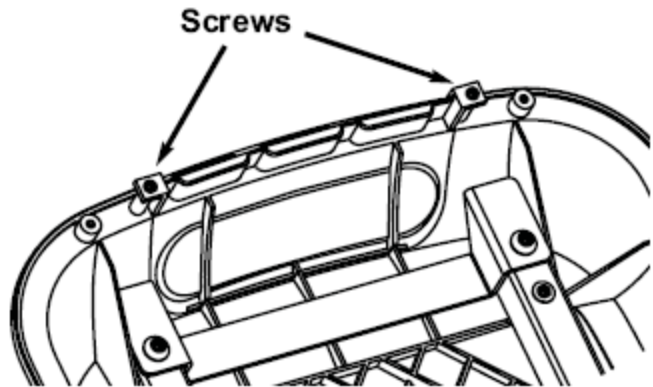
Disconnect the 12-pin serial connector (2) and the Heart Rate cable from the (3) display.

After all the cable/harnessing has been disconnected, place the front display plastics aside for later use. Be careful with the display and place it face down on top of a non-scratching surface.



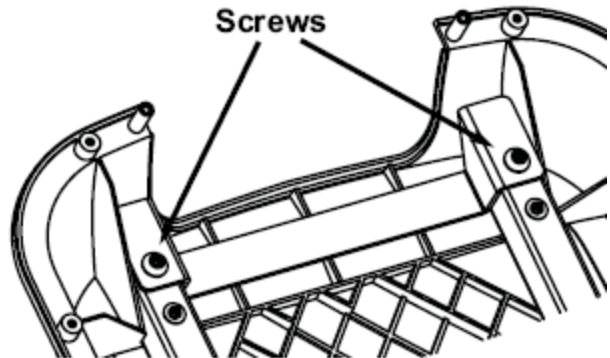
#### STEP4

Remove the cap cover with the Star Trac logo from the plastics by removing the (2) screws using a #2 Phillips screwdriver. Retain the screws for later use. You will no longer need the cap cover and, if desired, you can store it away for any possible future use.



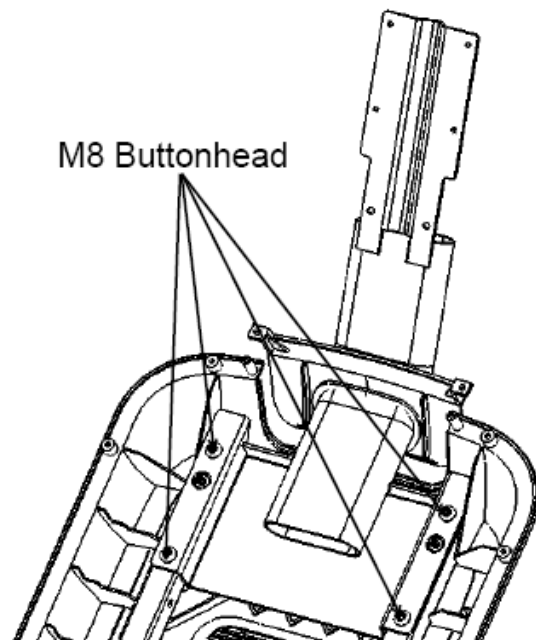
#### STEP5

Remove the (2) M8 button head screws retaining the cross brace using the 5mm Hex Key. Found in the hardware kit. Retain the screws for later use. You will no longer need the cross brace and, if desired, you can store it away for any possible future use.



#### STEP6

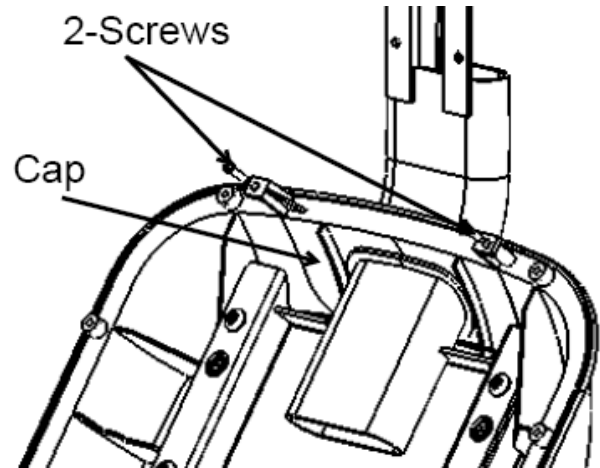
Take the TV neck bracket from the package. Install the (4) M8 Button head Screws through the TV neck bracket into the display mount. Note: (2) of the screws are in the PVS kit, (2) retained from earlier step. Do not tighten them at this time.





### STEP7

Adjust the cap with the grommet into place. Using the 5mm Hex Key, tighten the M8 Button head screws to about 190 b-in (21.5 N-m) of torque. Take the (2) Phillips head screws you removed from the original cap and snugly tighten screws down using a #2 Phillips screwdriver.

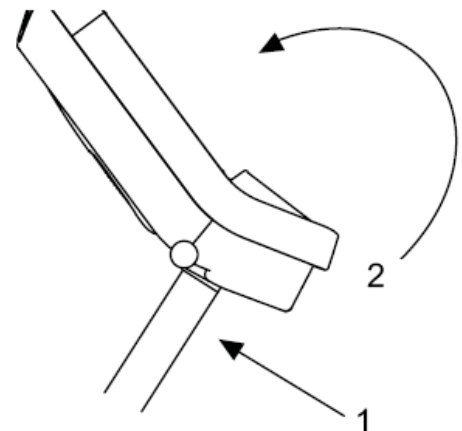


Check the back side of the display to see that the cap is seated properly. If not, loosen the two Phillips Head Screws, adjust the cap and then retighten the screws.

### STEP8

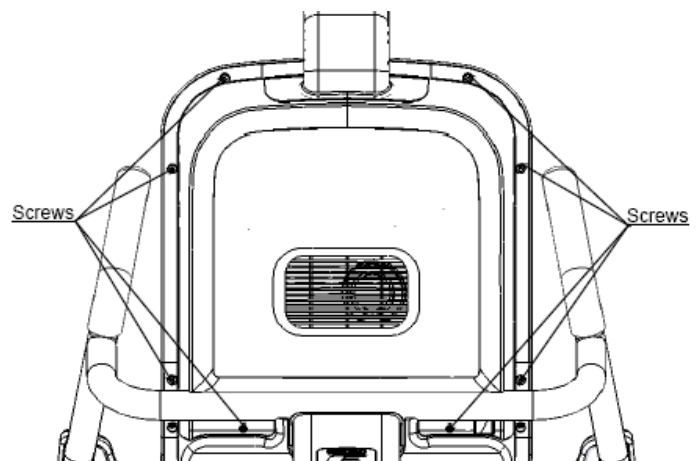
Connect the ground wire back to the display mount and connect the 12 pin serial cable back to the 12 pin socket on the display.

And then, place the display front plastic onto the back. Make sure the bottom of the display front is under the 2 tabs on the display mount. Press the front display against the round tube and rotate it to the back. **Be careful not to pinch any wires.**



### STEP9

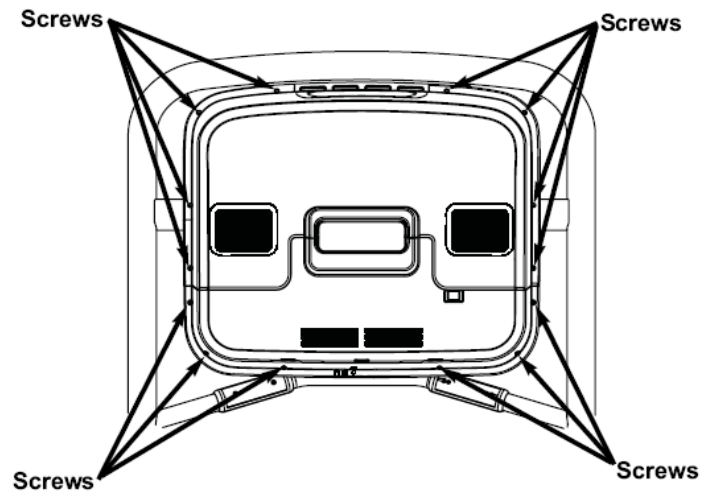
Using a #2 Phillips screwdriver, secure the front display to the back with the (8) screws you previously removed and saved.



To install the TV neck on the E-TR, follows these steps:

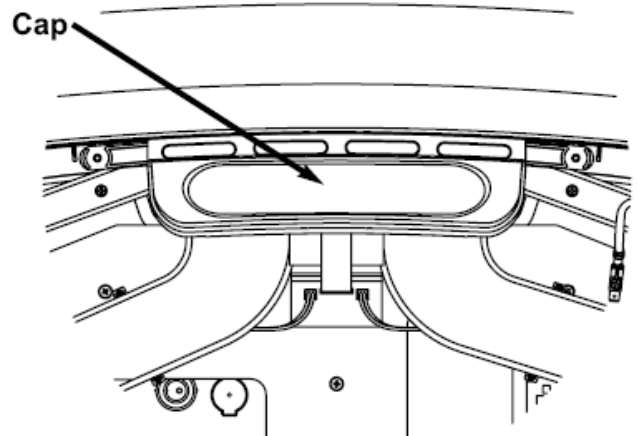
### STEP1

Using a #2 Phillips screwdriver, to remove the (8) screws from the upper back of the display. Place the cover some where safe to keep it from being damaged. Next, to remove the (6) screws from the lower back of the display. Place the cover with the other one. Retain all the screws for later use.



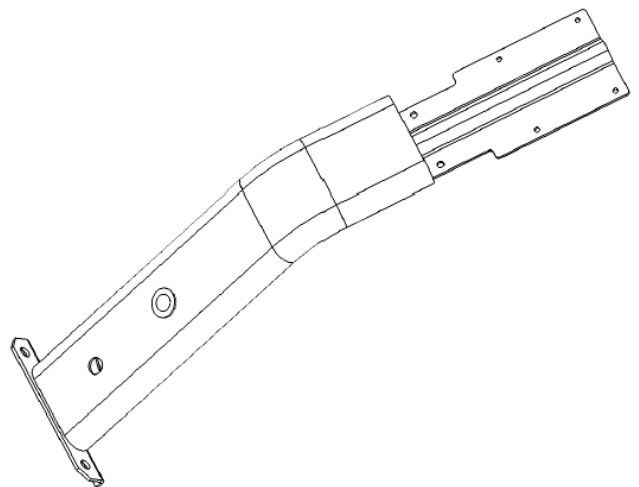
### STEP2

Now remove the upper cap cover that has the STAR TRAC logo on it. This cap is held in by the upper back cover. You will no longer need this cap cover and, if desired, you can store it away for any possible future use.



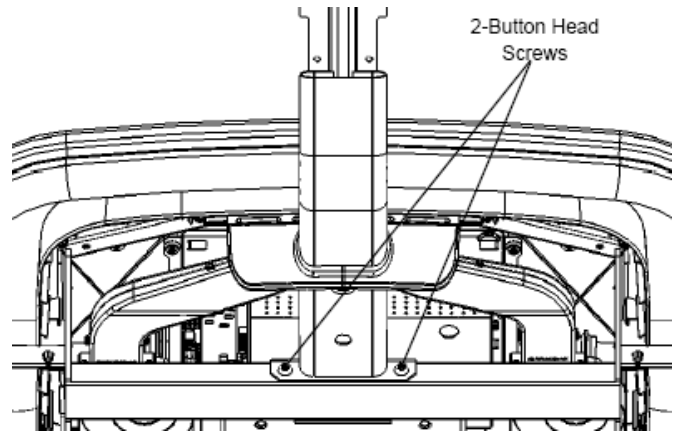
### STEP3

Take the Personal Viewing Screen from the PVS kit. Next, take the (2) M8 Button head screws, the M8 Hex nut with washer, and the 5mm Hex key from the PVS hardware tool kit.



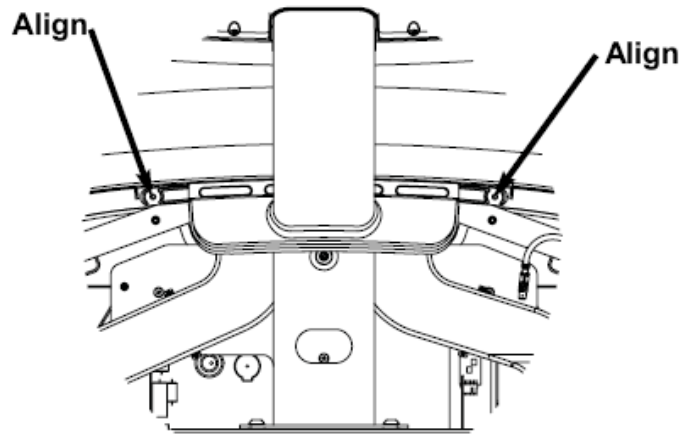
#### STEP4

Mount the Personal Viewing Screen on the Treadmill. Using the 5mm Hex Allen Key, screw in the (2) M8 Button heads at the base of the PVS.



#### STEP5

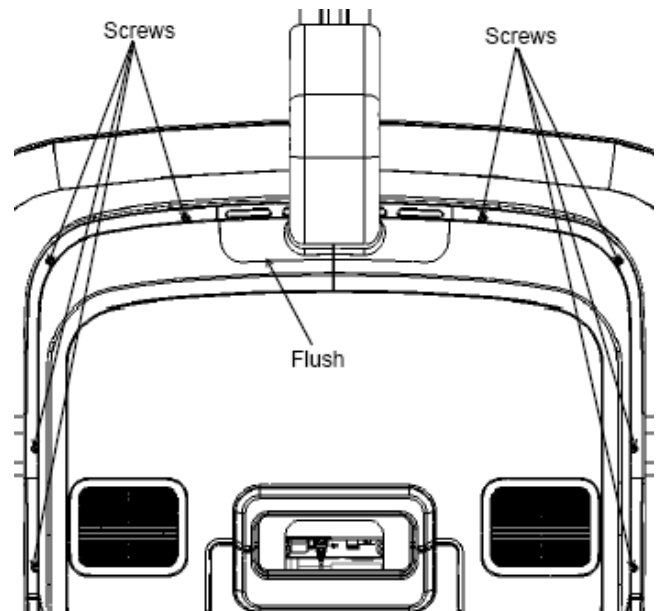
Adjust the display cap up or down to align with the holes on the display front. Once the cap is aligned, tighten the button head screws with the 5mm Hex Allen Key.



#### STEP6

Replace the top back plastic. Use a #2 Phillips screwdriver insert the (8) screws, retained from earlier step, into the plastic. Do Not tighten at this time.

Check the cap with the neck and grommet. Make sure the cap is flush with the top back plastic. Adjust if necessary. Use the screwdriver to tighten the screws snug from the previous step. Caution: Do Not over tighten screws.

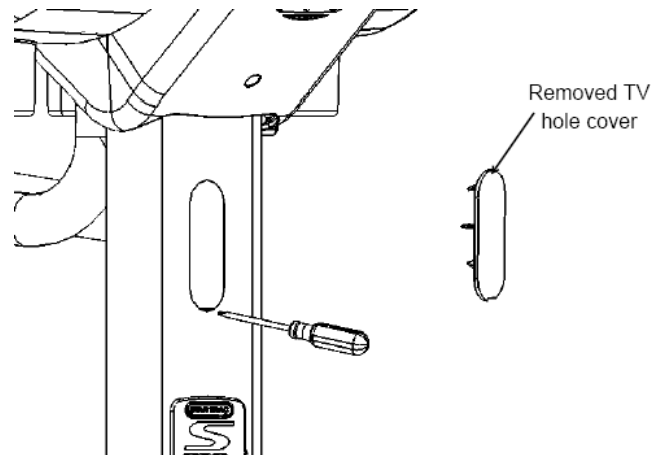


To install the TV neck on the S-UB, S-RB, and S-TBT, follows these steps:

**STEP1**

Remove the TV hole cover:

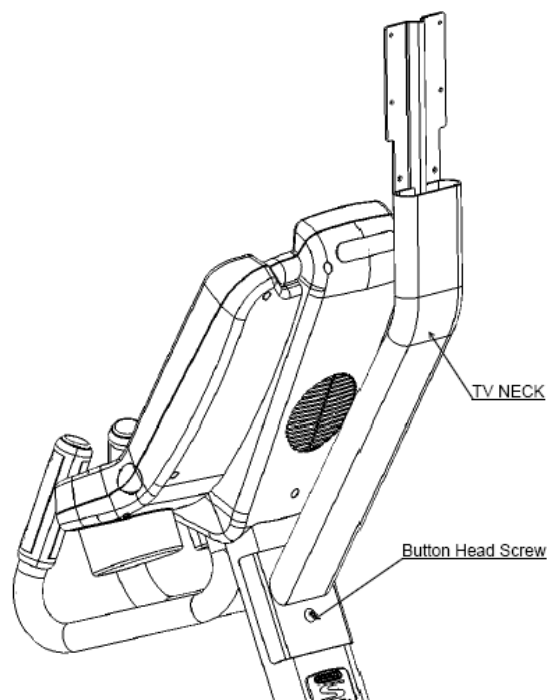
On the back side of the neck tubing, using a flat screwdriver, unclench the TV hole cover from the notch. (The cover is not used anymore, but you may save it for future use as you like.)



**STEP2**

Install TV bracket:

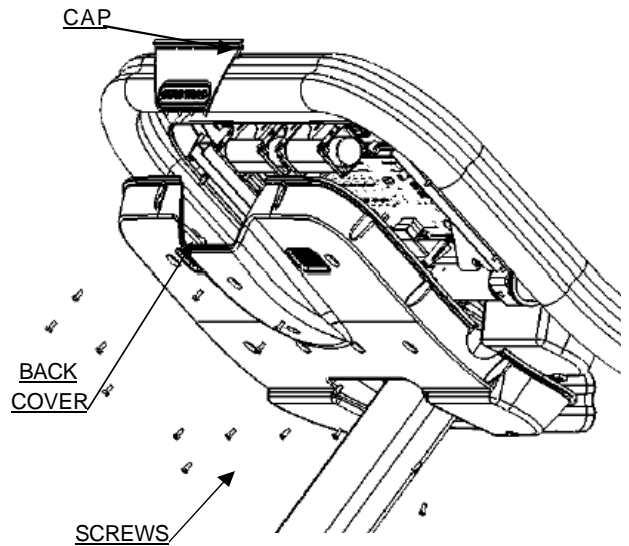
Using a 5mm Hex Allen Key, install the TV bracket to the neck tubing with a 8mm button head screw.



**To install the TV neck on the S-TR, follows these steps:**

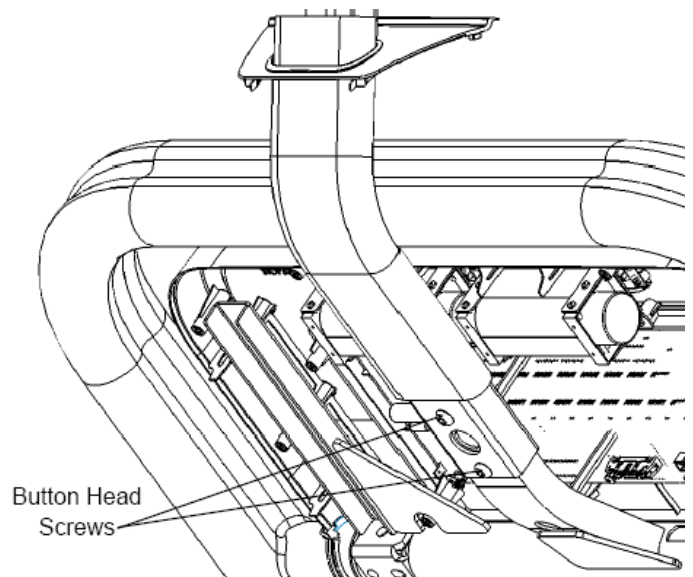
**STEP 1**

Using a #2 Phillips screwdriver, to remove the (19) screws from the back of the display. Next, remove the back cover and the upper cap cover with "Star Trac Logo on it (You will no longer need this cap cover and, if desired, you can store it away for any possible future use).



**STEP 2**

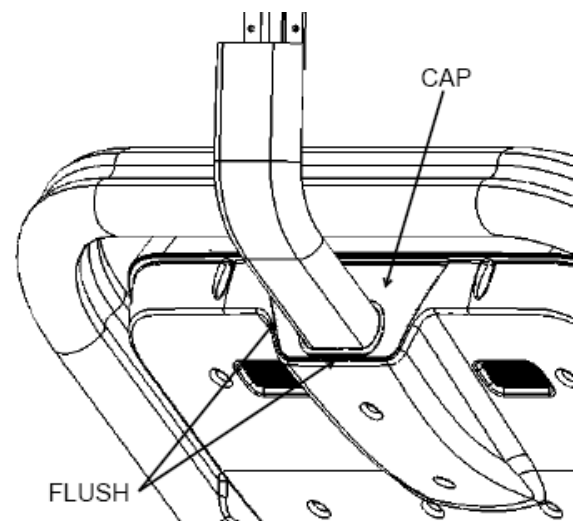
Take the TV bracket from package and remove the bubble wrap. Insert the bracket into the rectangle tube. Using a 5mm Hex Allen Key to fasten (2) M8 button head screws with (2) washers.



**STEP 3**

Replace the top back cover. Use a #2 Phillips screwdriver insert (19) screws, retained from earlier step, into the plastic cover. Do not tighten now.

Check the Cap with the neck and grommet. Make sure the Cap is flush with the top back plastic, and adjust if necessary. Use the screwdriver to tighten the screws, but don't over tighten screws

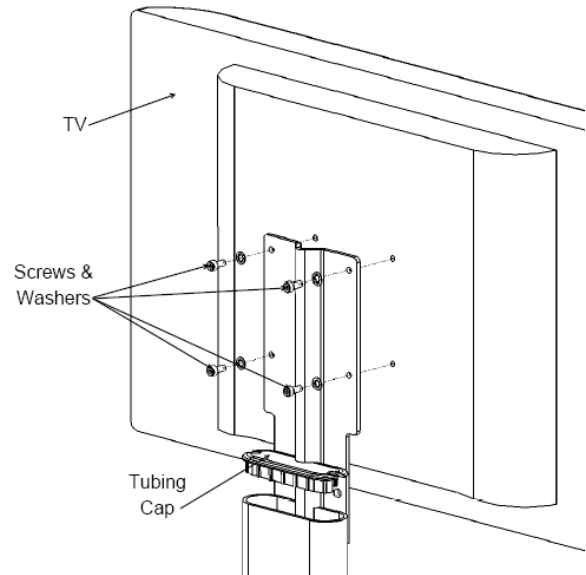


## To install the TV on the bracket follows these steps:

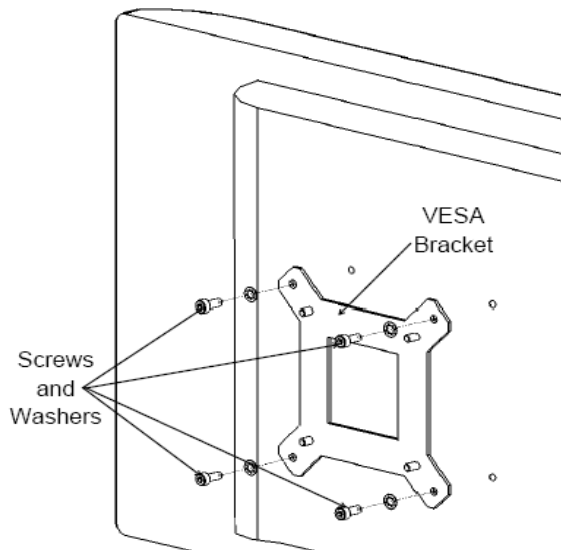
### 1. TV with 75x75mm mounting hole pattern:

Install your TV onto the bracket, by using a 3mm Hex Allen Key to fasten (4) M4 socket head screws and (4) washers, as shown.

And then, insert the tubing cap on the tube opening.



### 2. TV with 100x100mm mounting hole pattern:

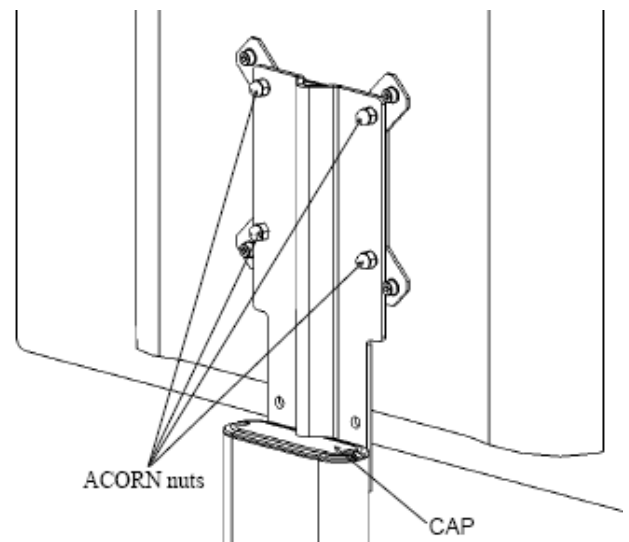


#### Step 1

If the mounting hole pattern on your TV is 75x75mm, you have to install the VESA bracket (packed with hardware kit) onto your TV with (4) M4 socket head screws, as shown.

#### Step 2

Install your TV onto the VESA bracket with (4) M4 ACORN nuts and (4) washers, as shown.





STAR TRAC  
14410 Myford Road  
Irvine, California 92606  
Telephone: (800) 228-6635, (714) 669-1660  
Fax: (714) 508-3303  
<http://www.startrac.com>

**P/N: 620-7841, Rev. B**

## Free Manuals Download Website

<http://myh66.com>

<http://usermanuals.us>

<http://www.somanuals.com>

<http://www.4manuals.cc>

<http://www.manual-lib.com>

<http://www.404manual.com>

<http://www.luxmanual.com>

<http://aubethermostatmanual.com>

Golf course search by state

<http://golfingnear.com>

Email search by domain

<http://emailbydomain.com>

Auto manuals search

<http://auto.somanuals.com>

TV manuals search

<http://tv.somanuals.com>