

PC Power Supply

High-Performance Dual Fan 350-Watt
ATX Power Supply

ATXPOW350DF

Instruction Guide



FCC COMPLIANCE STATEMENT

This equipment has been tested and found to comply with the limits for a Class B digital device, pursuant to part 15 of the FCC Rules. These limits are designed to provide reasonable protection against harmful interference in a residential installation. This equipment generates, uses and can radiate radio frequency energy and, if not installed and used in accordance with the instructions, may cause harmful interference to radio communications. However, there is no guarantee that interference will not occur in a particular installation.

Technical Support

The following technical resources are available for this StarTech.com product:

On-line help:

We are constantly adding new information to the *Tech Support* section of our web site. To access this page, click the *Tech support* link on our homepage, www.startech.com. In the tech support section there are a number of options that can provide assistance with this card.

Knowledge Base - This tool allows you to search for answers to common issues using key words that describe the product and your issue.

FAQ - This tool provides quick answers to the top questions asked by our customers.

Downloads - This selection takes you to our driver download page where you can find the latest drivers for this product.

Call StarTech.com tech support for help: **1-519-455-4931**
Support hours: Monday to Friday 9:00AM to 5:00PM EST (except holidays)

Warranty Information

This product is backed by a three-year warranty. In addition StarTech.com warrants its products against defects in materials and workmanship for the periods noted below, following the initial date of purchase. During this period, the products may be returned for repair, or replacement with equivalent products at our discretion. The warranty covers parts and labor costs only. StarTech.com does not warrant its products from defects or damages arising from misuse, abuse, alteration, or normal wear and tear.

Limitation of Liability

In no event shall the liability to StarTech.com Ltd. (or its officers, directors, employees or agents) for any damages (whether direct or indirect, special, punitive incidental, consequential, or otherwise), loss of profits, loss of business, or any pecuniary loss, arising out of related to the use of the product exceed the actual price paid for the product.

Some states do not allow the exclusion or limitation of incidental or consequential damages. If such laws apply, the limitations or exclusions contained in this statement may not apply to you.

Product Specifications

ATX Size	5.9 x 3.35 x 5.87 in (150 x 85 x 149 mm)
Weight	4.6 lbs (2.08 kg)
MTBF	60,000 hrs.
Safety Approvals	FCC, UL, CSA, CE, TUV, CB
Connectors	6 x 4-pin-LP4-female 2 x small-internal-power 1 x 20-pin-ATX-motherboard-adapter 1 x 4-pin extended ATX power 12V plug and Aux plug for Pentium 4
Input Voltage (current)	115V (8A) 230V (4A) 50~60 Hz

Table of Contents

Introduction	2
Installation	3
Product Specifications	4
Technical Support	5
Warranty Information	5

Introduction

Thank you for purchasing a StarTech.com high-performance dual-fan 350-Watt ATX power supply. With a super heavy-duty transformer and dual cooling fans, this power supply offers the best in reliability and performance. The two ball-bearing "smart" fans adjust their speed to provide optimal cooling for any operating environment.

Features

- Dual ball-bearing temperature-controlled smart fans
- Super heavy-duty transformer for longer life
- Additional drive power connectors
- Ideal for Pentium III, Pentium 4, Celeron, Duron and AMD Athlon
- Premium EMI/RFI filter improves power stability
- Backed by StarTech.com's three-year warranty

WARNING! Computer parts can be severely damaged by static electricity. Be sure that you are properly grounded before opening your computer case. StarTech.com recommends that you wear an anti-static strap when installing any computer component. If an anti-static strap is unavailable, discharge yourself of any static electricity build-up by touching a large grounded metal surface (such as the computer case) for several seconds. Also make sure that your computer is turned off and unplugged before attempting to open your computer case.

Contents

This package should contain:

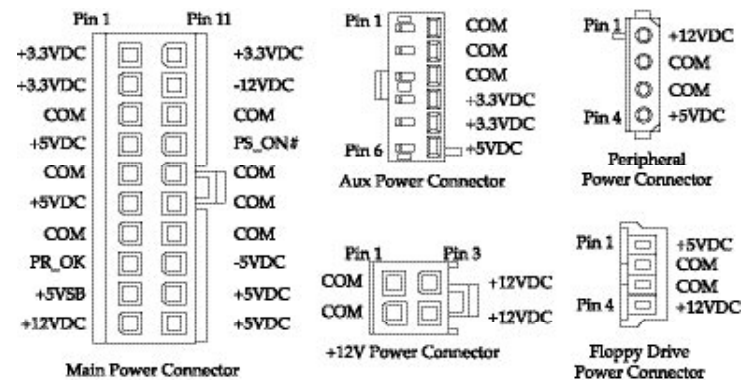
- 1 x ATXPOW350DF power supply
- 1 x power cord

Installation

NOTE: Check the power supply voltage before installation. It should be the same as your local power voltage (115V for North America and 230V for most of the European countries). Change the voltage setting if necessary.

1. Make sure that your computer is turned off and unplugged. Remove the power cord from your old power supply.
2. Remove the cover of your system (see your computer's user manual for details, if necessary).
3. Disconnect all the power connectors from the motherboard and the peripheral devices such as hard drives, floppy disks, etc. Make sure there are no devices connected to the existing power supply.
4. Remove the existing power supply from your computer case and replace it with the new StarTech.com power supply.
5. Connect the power connectors to your motherboard and peripheral devices.
6. Close your computer case.
7. Connect the power cord to the StarTech.com power supply.

ATXPOW350DF Connectors



Free Manuals Download Website

<http://myh66.com>

<http://usermanuals.us>

<http://www.somanuals.com>

<http://www.4manuals.cc>

<http://www.manual-lib.com>

<http://www.404manual.com>

<http://www.luxmanual.com>

<http://aubethermostatmanual.com>

Golf course search by state

<http://golfingnear.com>

Email search by domain

<http://emailbydomain.com>

Auto manuals search

<http://auto.somanuals.com>

TV manuals search

<http://tv.somanuals.com>