

## 2 Port USB Quad Monitor Dual-Link DVI KVM Switch with Audio & Hub

SV231QDVIUA



DE: Bedienungsanleitung - [de.startech.com](http://de.startech.com)

FR: Guide de l'utilisateur - [fr.startech.com](http://fr.startech.com)

ES: Guía del usuario - [es.startech.com](http://es.startech.com)

IT: Guida per l'uso - [it.startech.com](http://it.startech.com)

NL: Gebruiksaanwijzing - [nl.startech.com](http://nl.startech.com)

PT: Guia do usuário - [pt.startech.com](http://pt.startech.com)

## FCC Compliance Statement

This equipment has been tested and found to comply with the limits for a Class B digital device, pursuant to part 15 of the FCC Rules. These limits are designed to provide reasonable protection against harmful interference in a residential installation. This equipment generates, uses and can radiate radio frequency energy and, if not installed and used in accordance with the instructions, may cause harmful interference to radio communications. However, there is no guarantee that interference will not occur in a particular installation. If this equipment does cause harmful interference to radio or television reception, which can be determined by turning the equipment off and on, the user is encouraged to try to correct the interference by one or more of the following measures:

Reorient or relocate the receiving antenna.

Increase the separation between the equipment and receiver.

Connect the equipment into an outlet on a circuit different from that to which the receiver is connected.

Consult the dealer or an experienced radio/TV technician for help.

## Use of Trademarks, Registered Trademarks, and other Protected Names and Symbols

This manual may make reference to trademarks, registered trademarks, and other protected names and/or symbols of third-party companies not related in any way to StarTech.com. Where they occur these references are for illustrative purposes only and do not represent an endorsement of a product or service by StarTech.com, or an endorsement of the product(s) to which this manual applies by the third-party company in question. Regardless of any direct acknowledgement elsewhere in the body of this document, StarTech.com hereby acknowledges that all trademarks, registered trademarks, service marks, and other protected names and/or symbols contained in this manual and related documents are the property of their respective holders.

# Table of Contents

Introduction.....	1
Packaging Contents .....	1
System Requirements .....	1
Front View .....	2
Rear View .....	2
Installation.....	3
Hardware Installation.....	3
Driver Installation .....	4
Operation .....	5
Front Panel .....	5
Hotkey Control .....	5
Alternative Hotkey Commands.....	8
Change Leading Hotkey.....	8
Specifications.....	9
Technical Support.....	10
Warranty Information.....	10

# Introduction

The StarTech.com SV231QDVIUA 2 Port Quad Monitor DVI USB KVM Switch with Audio & USB Hub allows two PCs, each with up to four dual-link DVI video outputs, to share monitors, a microphone and set of stereo speakers, one keyboard and one mouse as well as one additional USB peripheral. An ideal solution for graphic designers, CAD/CAM designers or educational and financial institutions, the Quad DVI USB KVM Switch allows you to instantly switch back and forth between quad DVI display PCs at the touch of a button, while maintaining professional level video quality on both monitors. The quad DVI switch also features an integrated USB hub port that allows USB 2.0 peripherals such as thumb drives, external hard drives or web cams to be shared between attached systems - eliminating duplicate peripheral costs.

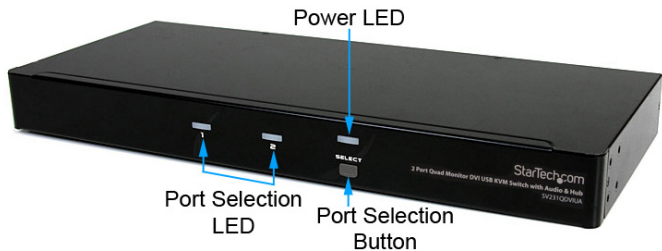
## Packaging Contents

- 1 x SV231QDVIUA switch
- 1 x Power Adapter
- 1 x Set of Rack Mounting brackets
- 1 x Set of rubber feet
- 1 x Instruction Manual

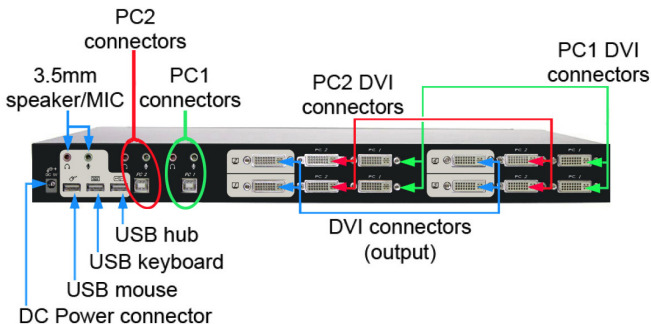
## System Requirements

- Up to four DVI-D enabled display devices (i.e. monitor, projector, TV, etc.)
- A DVI output for each DVI display device for each computer
- USB enabled computer system with available USB port
- Standard 104-key wired USB keyboard
- Standard 3-button wired USB mouse

## Front View



## Rear View



# Installation

**NOTE:** Prior to the installation, please power off all devices that will be connected to this system.

Ensure that all devices you will connect are properly grounded.

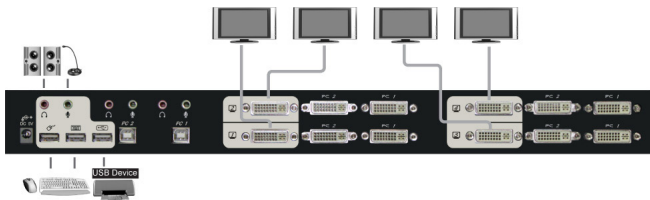
Place cables away from fluorescent lights, air conditioners, and machines that are likely to generate electrical noise.

If you experience any problems using a USB KVM switch, the following BIOS setup changes may be necessary for PC users and not necessary for Mac users:

- Set HALT ON ERROR to ALL BUT KEYBOARD.
- In PNP AND PCI SETUP, set PNP OS INSTALLED to YES and set USB IRQ to ENABLED.

Different systems may use different naming, so contact your system manufacturer for further assistance with these settings.

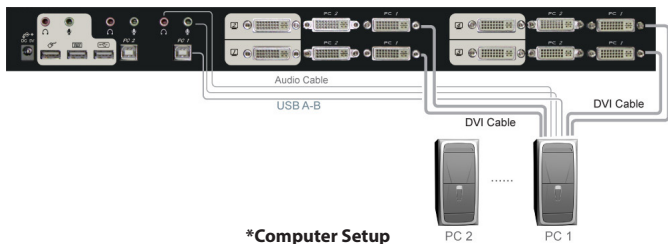
## Hardware Installation



### \*Console Setup

1. Plug up to four monitor(s) into the Console's DVI connectors; plug a USB keyboard and a USB mouse into the dedicated USB keyboard and mouse ports on the KVM switch. If using audio, also connect speakers with 3.5mm mini-jack plugs.
2. Use male-to-male DVI-D video cable(s) to connect the DVI connector(s) on the computer's video card, to the DVI ports for one of the KVM's PC ports (i.e. PC1). **NOTE:** If using a screen resolution greater than 1920x1200, dual-link cables are required.
3. Use a USB type A-B Cable to connect the KVM's USB port (type B, square connector) for the PC port used in Step 2, and the USB port on the computer (type A, flat connector). If using audio, connect 3.5mm mini-jack cables from the PC port to the sound card.

**NOTE:** DVI + USB + Audio KVM combo cables are also available which can be used in place of separate individual cables  
(e.g. StarTech.com ID: DVI4N1USB6)



4. Repeat Steps 2 and 3 for each PC port on the KVM switch, or each computer you wish to use on the KVM.
5. OPTIONAL: Connect any other USB peripheral you wish to share between the connected computers/devices to the extra USB Hub port on the Console side.
6. Connect the external power adapter from a wall outlet to the power connector on the rear panel of the KVM switch.
7. Power up the first computer/device and wait for it to fully boot and test keyboard/mouse functionality.
8. Once operation has been successfully confirmed, switch to the next port and power up that computer/device and confirm.
9. Once completed for all computers/devices connected to the KVM switch, you should be able to switch between ports freely.

## Driver Installation

No driver installation is required for the KVM switch, as the keyboard/mouse use USB drivers that are already installed on any operating system that fully supports USB.

# Operation

## Front Panel

### Port Selection/Link LED

The LED turns green when the connected computer is powered-on. The corresponding LED will also illuminate red when that PC port is currently selected.

### Port Selection Button

Each push of the Selection Button on the front of the KVM switch will immediately switch between the two ports on the KVM switch.

## Hotkey Control

A Hotkey command is a short keyboard sequence for selecting a computer, activating computer scan, etc. A hotkey sequence starts with two left <CTRL> keystrokes (successively within 0.2 seconds) followed by one or two more keystrokes. A built-in tone generator creates a high-pitch beep for correct hotkey command; otherwise, one low-pitch beep is generated for errors and the bad key sequence will not be forwarded to the selected computer.

**NOTE:** Press and hold Left <SHIFT> and press <NumLock> twice, then release <SHIFT> followed by pressing left <CTRL> once, which will enable / disable the hotkey feature.

### To select a computer:

**Left <CTRL> + Left <CTRL> + <1>**

(Example: Selects the computer at port 1.)

**Left <CTRL> + Left <CTRL> + <2>**

(Example: Selects the computer at port 2.)

**NOTE:** Do not use the keypad on the right-side of the keyboard.



## Auto Scan

The KVM automatically scans through the powered-on computers in sequence on a fixed time interval (see Scan Time below).

**Note:** The keyboard and mouse are not operable during Auto Scan.

### To start Auto Scan:

**Left <CTRL> + Left <CTRL> + <F1>**

To abort the Auto Scan mode, press the left <CTRL> key twice. When Auto Scan detects any keyboard or mouse activity, it suspends the scanning till the activity stops; it then resumes with the next computer in sequence. The length of the Auto Scan interval (Scan Time) is adjustable, see below.

**Manual Scan** allows users to manually switch back and forth between powered-on computers.

**Left <CTRL> + Left <CTRL> + <F2>**

To select the previous or the next computer, press <UP> or <DOWN> arrow keys. To abort the Manual Scan, press any other key.

## Scan Time

Four options are available for users to set the Scan Time duration, it Includes 3, 8, 15 and 30 seconds.

**Note:** Scan Time is set to 3 seconds by default.

To adjust Scan Rate, set the scan time of duration before switching to the next computer:

**Left <CTRL> + Left <CTRL> + <F3>**

The KVM Switch generates 1 to 4 beeps indicating a scan time duration for 3, 8, 15 or 30 seconds respectively.

## Audio Lock

There are two options for Audio Lock: ON and OFF. When ON, audio selection follows computer selection. When OFF, audio selection stops following computer selection. It is useful if you want to listen to a particular computer's audio signal while operating other computers.

**Left <CTRL> + Left <CTRL> + <F5>**

The KVM switch beeps once or twice corresponding to ON and OFF respectively.

To change which computer port the audio stays on to the currently selected port, press the following hotkey:

**Left <CTRL> + Left <CTRL> + <A>**

## Alternative Hotkey Commands

In addition to the Left <CTRL> + Left <CTRL> hotkeys, there are two alternative hotkey sequences available.

For the following operations, users may press <ScrollLock> twice instead of pressing left <CTRL> twice.

To select a computer:

**<ScrollLock> + <ScrollLock> + <1>**  
(Example: Select the computer at port 1.)

**<ScrollLock> + <ScrollLock> + <2>**  
(Example: Select the computer at port 2.)

**NOTE:** Do not use the keypad at the right of the keyboard.

For those keyboards that do not have or support <ScrollLock>, please press and HOLD the Left <SHIFT> and press <NumLock> twice instead of pressing Left <CTRL> twice.

To select a computer:

**Hold Left <SHIFT> + Press <NumLock> + Press <NumLock>  
then release <SHIFT> + Press <1>**  
(Example: Select the computer at port 1.)

**Hold Left <SHIFT> + Press <NumLock> + Press <NumLock>  
then release <SHIFT> + Press <2>**  
(Example: Select the computer at port 2.)

**NOTE:** Do not use the keypad at the right of the keyboard.

## Change Leading Hotkey

The default leading hotkey sequence involves pressing the left <CTRL> twice in succession (e.g. left <CTRL> + left <CTRL>). This can be changed to the right <CTRL> key instead, to avoid accidental activation due to using the left <CTRL> key for functions such as Copy/Paste.

To change the leading hotkey sequence to Right <CTRL>:

**Left <CTRL> + Left <CTRL> + hold <ALT> + press Right <CTRL>**

All hotkey commands that previously required pressing the Left <CTRL> will be switched to requiring the right <CTRL> instead.

To change the leading hotkey sequence back to Left <CTRL>:

**Right <CTRL> + Right <CTRL> + hold <ALT> + press Left <CTRL>**

# Specifications

<b>Number of Ports</b>	2
<b>Computer Connectors (per port)</b>	4 x 25-pin DVI-D female (dual-link) 1 x USB type B female 2 x 3.5mm mini-jack Audio
<b>Console Connectors</b>	4 x 25-pin DVI-D female (dual-link) 3 x USB type A female 2 x 3.5mm mini-jack Audio
<b>Maximum Video Resolution</b>	2560x1600
<b>DDC2B Support</b>	Yes
<b>Audio Support</b>	Yes
<b>On Screen Display</b>	No
<b>Cascadable</b>	No
<b>Switching Modes</b>	Push button, Hot-key
<b>Power Adapter</b>	9~12VDC, 1500mA, center positive
<b>Enclosure Material</b>	Metal
<b>Operating Temperature</b>	0°C ~ 40°C (32°F ~ 104°F)
<b>Storage Temperature</b>	-20°C ~ 60°C (-4°F ~ 140°F)
<b>Humidity</b>	0 ~ 80% RH
<b>Dimensions (WxHxD)</b>	438.0mm x 42.8mm x 177.6mm
<b>Weight</b>	3000 g

# Technical Support

StarTech.com's lifetime technical support is an integral part of our commitment to provide industry-leading solutions. If you ever need help with your product, visit [www.startech.com/](http://www.startech.com/) support and access our comprehensive selection of online tools, documentation, and downloads.

## Warranty Information

This product is backed by a three year warranty.

In addition, StarTech.com warrants its products against defects in materials and workmanship for the periods noted, following the initial date of purchase. During this period, the products may be returned for repair, or replacement with equivalent products at our discretion. The warranty covers parts and labor costs only. StarTech.com does not warrant its products from defects or damages arising from misuse, abuse, alteration, or normal wear and tear.

### Limitation of Liability

In no event shall the liability of StarTech.com Ltd. and StarTech.com USA LLP (or their officers, directors, employees or agents) for any damages (whether direct or indirect, special, punitive, incidental, consequential, or otherwise), loss of profits, loss of business, or any pecuniary loss, arising out of or related to the use of the product exceed the actual price paid for the product. Some states do not allow the exclusion or limitation of incidental or consequential damages. If such laws apply, the limitations or exclusions contained in this statement may not apply to you.

# StarTech.com

Hard-to-find **made easy**®

Hard-to-find made easy. At StarTech.com, that isn't a slogan. It's a promise.

StarTech.com is your one-stop source for every connectivity part you need. From the latest technology to legacy products — and all the parts that bridge the old and new — we can help you find the parts that connect your solutions.

We make it easy to locate the parts, and we quickly deliver them wherever they need to go. Just talk to one of our tech advisors or visit our website. You'll be connected to the products you need in no time.

Visit **[www.startech.com](http://www.startech.com)** for complete information on all StarTech.com products and to access exclusive resources and time-saving tools.

*StarTech.com is an ISO 9001 Registered manufacturer of connectivity and technology parts. StarTech.com was founded in 1985 and has operations in the United States, Canada, the United Kingdom and Taiwan servicing a worldwide market.*

Download from [Www.Somanuals.com](http://www.Somanuals.com). All Manuals Search And Download.

## Free Manuals Download Website

<http://myh66.com>

<http://usermanuals.us>

<http://www.somanuals.com>

<http://www.4manuals.cc>

<http://www.manual-lib.com>

<http://www.404manual.com>

<http://www.luxmanual.com>

<http://aubethermostatmanual.com>

Golf course search by state

<http://golfingnear.com>

Email search by domain

<http://emailbydomain.com>

Auto manuals search

<http://auto.somanuals.com>

TV manuals search

<http://tv.somanuals.com>